

# SR MPLS [eBGP] ربع EVPN 3 ةقبطال نيوكت في Nexus 9300

## تايوت حمل

[ةمدقمل](#)

[ةيساسأل تابلطتم](#)

[تابلطتم](#)

[ةمدختسم تانوكمل](#)

[ةيساسأل تامولعم](#)

[MPLS L3VPN Recap](#)

[L3VPN \(MPLS SR\) عم EVPN لىل ةماع ةرطن](#)

[ةكبش لىل لىطيطختل مسرل](#)

[يوتسم لىل ةللى ةئيهت](#)

[ةحص لىل نم ققحتل](#)

[اهالصل او ءاطخال فاشكتسا](#)

## ةمدقمل

ل يوت ربع (EVPN) L3 ت نرثي ال اب ةصاخ ال VPN ةكبش رشن ةيفي ك دنن تسم ل اذه حضوي BGP مادختساب Nexus 9300 لىل (SR) عطاقم ل هيجوتل تالوكوتورب ل ددعت م ةيمستل ل يجرال.

## ةيساسأل تابلطتم

### تابلطتم

ةيلال عيضاوم ل اب ةفرعم كي دل نوكت نأب Cisco ي صوت:

- (BGP) ةيدودحل ةب اوبل لوكوتورب
- L3VPN
- EVPN
- SR

### ةمدختسم تانوكمل

ةيلال ةيدامل تانوكمل او جمارب ل تارادصل لىل دنن تسم ل اذه في ةدراول تامولعم ل دنن تست:

- 10.2(2) رادصل ل لغشت يتل ال 9336C-FX - يسيئرل دومعل ةزهجأ
- 10.2(2) رادصل ل لغشت يتل ال 93240YC-FX2 - ةيفرطال ةزهجأ
- 92160YC-X (host-1)، Catalyst-3850 (host-2) - لىمعل

ةصاخ ةيلمعم ةئيب في ةدوجومل ةزهجأل نم دنن تسم ل اذه في ةدراول تامولعم ل ءاشنإ م تناك اذإ. (يضارفت). حوسمم نيوكتب دنن تسم ل اذه في ةمدختسم ل ةزهجأل عي مج تآب رمأ يال لم تحمل ريثأتلل كم هف نم دكأتف، لىل لغشتل دي قكتكبش.

# ةيساسأ تامولعم

## MPLS L3VPN Recap

VPN ةكبش:

- ةنب ربع ةصاخلا ةكبشلا تامدخ مدقت تنرتنإلا لوكوتورب ىلع ةمئاق ةكبش ةماع ةيساسأ.
- ربع صاخ لكشب ضعبلا اهضعب عم لصاوتلاب اهل حومسمل عاقوملا نم ةعومجم ةصاخلا و ةماعلا تاكبشلا نم اهريغ و تنرتنإلا.

رئاولا و اقافنألا نم ةلماك ةكبش نيوكت لال خ نم ةيديلقتلا VPN تاكبش عاشنإ متي اذ ةنايص لهسلا نم سيل. VPN ةكبش يف عاقوملا عيمج ىلا (PVCs) ةمئادلا ةيضا رتفالا لك ىلع ريغت ءارج| بلطت ديدج عقوم ةفاضلا نال ارظن، هعيسوت و VPN تاكبش نم عونلا (VPN) ةيرهاظلا ةصاخلا ةكبشلا يف ةفاح زاغ.

ريظنلا جذومن ىلع دمعتت و 3 ةقبطلا يف MPLS ىلا ةدنتسمل VPN تاكبش عاشنإ متي رفوم موقى. 3 ةقبطلا هيجوتلا تامولعم لدا بت CE و ةمدخللا دوزمل ريظنلا جذومن حيتي CE ةكراشم نود CE عاقوم نيبت تانايبلا لاسراب ةمدخللا.

ةيديلقتلا VPN تاكبش ةنراقم ةعسوتلا و ةرادإلا ةلوهسب MPLS VPN تاكبش زيمتت ةمدخللا دوزمل طقف ةفاحلا هجوم ثيدحت مزلي، MPLS VPN ةكبش ىلا ديدج عقوم ةفاضلا دنع ليمعلا عاقوملا تامدخللا رفوي يذلا.

MPLS VPN تانوكم يه هذه

- ليوحت ليغشتب PE تاهجوم موقت. رفوملا ةكبش زكرم يف هجوملا -هجوملا (P) رفوملا VPN تاي مست مادختسا متي. ههجوملا مزحلاب VPN تاي مست قافراب موقت ال و MPLS CE ةفاح هجوم و ءححصلا ةصاخلا ةكبشلا ىلا تانايبلا مزح هيجوتل.
- ةدراولا مزحلاب VPN ةكبش ةيمست قافراب موقى هجوم - (PE) Provider Edge هجوملا قافراب موقى امك، اهليلع اهلابقتسا متي يتلا ةيعرفلا ةهجالا و ءهجالا ىلا اذانتسا هجوملاب ةرشابم PE هجوم قافرا متي. ةيساسأ MPLS تاي مست.
- ةسسؤملا ةكبش و (ISP) تنرتنإلا ةمدخللا دوزم يف هجوم - (C) ليمعلا هجوم.
- PE هجوم بلصتت يتلا ISP ةكبش ىلع Edge نم هجوم - (CE) Customer Edge نم هجوملا PE هجوم عم CE هجوم هجاوي نأ بجي. ةكبشلا ىلع.

## EVPN ىلع ةماع ةرظن (MPLS SR) عم L3VPN

LAN ةكبش ةصاخلا MPLS و EVPN ةكبش (DC) تانايبلا زكرم رشن تاي لمع تنبت ددعت و EVPN يف مكحتلا يوتسم ميلعت لثم اهئاوفل (VXLAN) ةيرهاظلا عسوتلل ةلباقلا ةكبش ام و هيساسأ نإف، لثم لاب و. POD تافاضا و راركتلا و لقتنلا ةلوهسو تازايحلا ساسألا نم لاقتنا و ه (LDP) ةيمستلا عيزوت لوكوتورب ىلع ةمئاق MPLS L3VPN SR لثم اروطت رثكأ لىلا MPLS L3VPN LDP ىلع مئاقلا يديلقتلا.

لثم اهئاوفل SR دامتعا متي:

- MPLS و (IGP) ةدحومال ةيلخادلا ةرابعلال لوكوتورب يف مكحتلال تاوتسم
- طسبأ رورم ةكرح ةسدنه قرط
- ةئيهتلال ةلوهس
- (SDN) جماربلا قيرط نع ةفرعملال تاكبتلال دامتل

ليجلال نم تنرتي تامدخل همادختسإ مت BGP MPLS لى دن تسي لىح وه (RFC 7432) EVPN راسملا لثم لتك ةدع مدختسي وه. ةيضارتفا تانايب زكرم ةكبش يف يلاتلال

MPLS تاي نقت نم (VRF) هي جوتلال ةداعإو يرهاظلال هي جوتلال او (RT) راسملا فدهو (RD) زمي م ةدوجوملا

راسملا NXOS 7.0(3)I6(1) رادصلال يف هم يدقت مت يذلا SR ربع L3 EVPN رادصلال مدختسي ريوطتلال ةيلباقو ونيرجاتسملال ةدعتم تامدخ رفوي وه. MPLS نمضت عم Type-5 EVPN ةروطتلال تانايبال زكارم تامدخل اقئاف ةادأو

MPLS و VXLAN تانايبال يوتسم نوكي نأ نكمي، رمتسملال رايتلال يف: ةظحالم

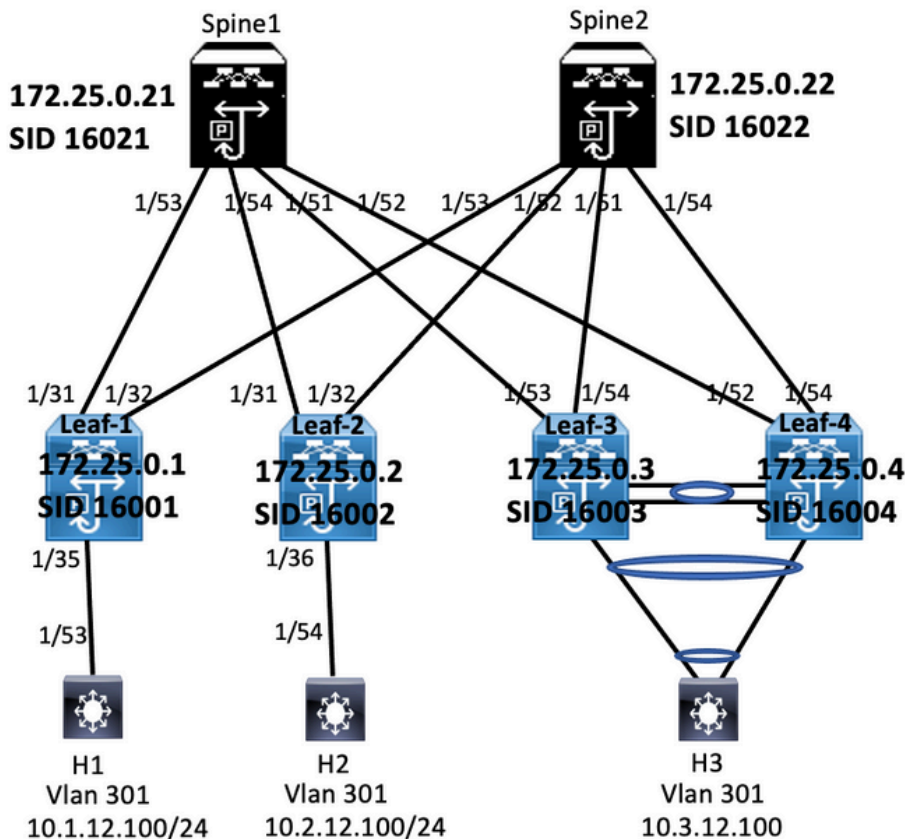
### يديلقنلال MPLS L3 VPN

VRF و RT و RD: ةيسيئرلال عاشنلال لتك  
IGP/BGP-LU و SR-TE: لقلل ةيلفسلال ةقبتلال  
VPNv4 و VPNv6: ةمدخلل ةيشغتلال ةقبت

### SR ربع MPLS L3 VPN

VRF و RT و RD: ةيسيئرلال عاشنلال لتك  
IGP/BGP-LU و SR-TE: لقلل ةيلفسلال ةقبتلال  
EVPN: ةمدخلل ةيشغتلال ةقبت

### ةكبشلال يطيختلال مسرلال



### يوتسملال ةيلاع ةئيهت

1. تازيمل تي ب ت
2. ري ط س ت ال - IP ناو ن ني و ك ت
3. IGP/MP - BGP ني و ك ت
4. VLAN و EVPN ةي ش غ ت ني و ك ت
5. ةي ف ر ط ل ا ت ا د ح و ل و ا ة ف ي ض م ل ا ة ز ه ج ا ل ا ني ب e-BGP ني و ك ت

Leaf-1		
Enabling Features	Interface Configuration	BGP/EVPN Configuration
<pre>install feature-set mpls feature-set mpls feature bgp feature mpls segment-routing feature mpls evpn feature interface-vlan feature lACP feature mpls oam feature mpls segment-routing traffic-engineering vlan 1,301-310 segment-routing mpls   global-block 16000 24000   connected-prefix-sid-map   address-family ipv4 172.25.0.1/32 absolute 16001 ip prefix-list node-sid-loopback seq 10 permit 172.25.0.1/32 ip as-path access-list LOCALLY-ORIGINATE seq 1 permit "65534" ip as-path access-list LOCALLY-ORIGINATE seq 2 permit "65" route-map NODE-SID-MED permit 10   match ip address prefix-list node-sid-loopback   set metric 100 route-map NODE-SID-MED permit 20 route-map SET_NH permit 5  match community MATCH-65534-65534. set ip next-hop unchanged route-map SET_NH permit 10   match as-path LOCALLY-ORIGINATE set ip next-hop 172.25.0.1  vrf context VPN-A rd auto address-family ipv4 unicast   route-target import 301:301   route-target import 301:301 evpn   route-target export 301:301   route-target export 301:301 evpn vrf context VPN-B rd auto address-family ipv4 unicast   route-target import 302:302   route-target import 302:302 evpn   route-target export 302:302   route-target export 302:302 evpn</pre>	<pre>interface Vlan301 ip access-group deny-to-core_ra in vrf member VPN-A no ip redirects ip address 10.1.12.1/24 ip directed-broadcast ip-dir-bcast ip arp timeout 720  interface Vlan302 ip access-group deny-to-core_ra in vrf member VPN-B no ip redirects ip address 10.1.13.1/24 ip directed-broadcast ip-dir-bcast ip arp timeout 720  interface Ethernet1/31 description connected to spine1 - 1/53 - 192.168.1.10 mtu 9216 logging event port link-status no ip redirects ip address 192.168.1.9/30 ip arp timeout 14400 mpls ip forwarding  interface Ethernet1/32 description connected to spine2 - 1/53 - 192.168.1.14 mtu 9216 logging event port link-status no ip redirects ip address 192.168.1.13/30 ip arp timeout 14400 mpls ip forwarding no shutdown  interface Ethernet1/35 switchport switchport mode trunk switchport trunk allowed vlan 301-310 no shutdown  interface loopback0 ip address 172.25.0.1/32 no shut</pre>	<pre>router bgp 65534 router-id 172.25.0.1 disable-policy-batching bestpath as-path multipath-relax bestpath med missing-as-worst log-neighbor-changes event-history detail size large nexthop suppress-default-resolution address-family ipv4 unicast   network 172.25.0.1/32   maximum-paths 4   maximum-paths ibgp 4   allocate-label route-map node-sid-label   address-family ipv4 labeled-unicast   prefix-priority high   address-family I2vpn evpn   template peer EBGp-SPINE   remote-as 64087   description EBGp-PEERING-to-AGG   address-family ipv4 unicast   allows-in 1   send-community   send-community extended   route-map NODE-SID-MED out  no advertise local-labeled-route soft-reconfiguration inbound address-family ipv4 labeled-unicast   allows-in 1   send-community   send-community extended   route-map NODE-SID-MED out soft-reconfiguration inbound always address-family I2vpn evpn   allows-in 1   send-community   send-community extended   filter-list LOCALLY-ORIGINATE out   route-map SET_NH out   encapsulation mpls neighbor 192.168.1.10 inherit peer EBGp-SPINE neighbor 192.168.1.14 inherit peer EBGp-SPINE</pre>

Leaf-2		
Enabling Features	Interface Configuration	BGP/EVPN Configuration
<pre>install feature-set mpls feature-set mpls feature bgp feature mpls segment-routing feature mpls evpn feature interface-vlan feature lACP feature mpls oam feature mpls segment-routing traffic-engineering vlan 1,301-310 segment-routing mpls   global-block 16000 24000   connected-prefix-sid-map   address-family ipv4 172.25.0.2/32 absolute 16002 ip prefix-list node-sid-loopback seq 10 permit 172.25.0.2/32 ip as-path access-list LOCALLY-ORIGINATE seq 1 permit "65534" ip as-path access-list LOCALLY-ORIGINATE seq 2 permit "65" route-map NODE-SID-MED permit 10   match ip address prefix-list node-sid-loopback   set metric 100 route-map NODE-SID-MED permit 20 route-map SET_NH permit 5  match community MATCH-65534-65534 set ip next-hop unchanged route-map SET_NH permit 10   match as-path LOCALLY-ORIGINATE set ip next-hop 172.25.0.2  vrf context VPN-A rd auto address-family ipv4 unicast   route-target import 301:301   route-target import 301:301 evpn   route-target export 301:301   route-target export 301:301 evpn vrf context VPN-B rd auto address-family ipv4 unicast   route-target import 302:302   route-target import 302:302 evpn   route-target export 302:302   route-target export 302:302 evpn</pre>	<pre>interface Vlan301 no shutdown ip access-group deny-to-core_ra in vrf member VPN-A no ip redirects ip address 10.2.12.1/24 ip directed-broadcast ip-dir-bcast ip arp timeout 720  interface Vlan302 no shutdown ip access-group deny-to-core_ra in vrf member VPN-B no ip redirects ip address 10.2.13.1/24 ip directed-broadcast ip-dir-bcast ip arp timeout 720  interface Ethernet1/3 switchport switchport mode trunk switchport trunk allowed vlan 301-310 no shutdown  interface Ethernet1/31 description connected to spine1 - 1/54 - 192.168.2.10 mtu 9216 logging event port link-status no ip redirects ip address 192.168.2.9/30 ip arp timeout 14400 mpls ip forwarding  interface Ethernet1/32 description connected to spine2 - 1/52 - 192.168.2.14 mtu 9216 logging event port link-status no ip redirects ip address 192.168.2.13/30 ip arp timeout 14400 mpls ip forwarding  interface Ethernet1/36 switchport mode trunk switchport trunk allowed vlan 301-310  interface loopback0 ip address 172.25.0.2/32</pre>	<pre>router bgp 65534 router-id 172.25.0.2 disable-policy-batching bestpath as-path multipath-relax bestpath med missing-as-worst log-neighbor-changes event-history detail size large nexthop suppress-default-resolution address-family ipv4 unicast   network 172.25.0.2/32   maximum-paths 4   maximum-paths ibgp 4   allocate-label route-map node-sid-label   address-family ipv4 labeled-unicast   prefix-priority high   address-family I2vpn evpn   template peer EBGp-SPINE   remote-as 64087   description EBGp-PEERING-to-AGG   address-family ipv4 unicast   allows-in 1   send-community   send-community extended   route-map NODE-SID-MED out  no advertise local-labeled-route soft-reconfiguration inbound address-family ipv4 labeled-unicast   allows-in 1   send-community   send-community extended   route-map NODE-SID-MED out soft-reconfiguration inbound always address-family I2vpn evpn   allows-in 1   send-community   send-community extended   filter-list LOCALLY-ORIGINATE out   route-map SET_NH out   encapsulation mpls neighbor 192.168.2.10 inherit peer EBGp-SPINE neighbor 192.168.2.14 inherit peer EBGp-SPINE</pre>

Spine-1		
Enabling Features	Interface Configuration	BGP/EVPN Configuration
<pre>install feature-set mpls feature-set mpls feature bgp feature mpls segment-routing feature mpls evpn feature interface-vlan feature lisp feature mpls oam feature mpls segment-routing traffic-engineering vlan 1 segment-routing mpls   global-block 16000 24000   connected-prefix-sid-map   address-family ipv4     172.25.0.21/32 absolute 16021 ip prefix-list NH-RESTRICT seq 5 permit 0.0.0.0/0 ip prefix-list node-sid-loopback seq 5 permit 172.25.0.21/32 route-map NH-RESTRICT deny 10   match ip address prefix-list NH-RESTRICT route-map NH-RESTRICT permit 20 route-map NH_UNCHG permit 10 set ip next-hop unchanged</pre>	<pre>interface Ethernet1/53 description connected to Leaf1 - 1/31 - 192.168.1.9 mtu 9216 logging event port link-status no ip redirects ip address 192.168.1.10/30 ip arp timeout 14400 mpls ip forwarding no shutdown  interface Ethernet1/54 description connected to Leaf2- 1/31 - 192.168.2.9 mtu 9216 logging event port link-status no ip redirects ip address 192.168.2.10/30 ip arp timeout 14400 mpls ip forwarding no shutdown  interface loopback0 ip address 172.25.0.21/32 no shutdown</pre>	<pre>router bgp 64087 router-id 172.25.0.21 bestpath as-path multipath-relax bestpath med missing-as-worst log-neighbor-changes nexthop suppress-default-resolution address-family ipv4 unicast network 172.25.0.21/32 maximum-paths 4 nexthop route-map NH-RESTRICT allocate-label route-map node-sid-label address-family ipv4 labeled-unicast   prefix-priority high   address-family l2vpn evpn   retain route-target all template peer EBG-ACCESS remote-as 65534 description EBG-PEERING-to-ACCESS address-family ipv4 unicast   disable-peer-as-check   send-community   send-community extended   default-originate   no advertise local-labeled-route  soft-reconfiguration inbound address-family ipv4 labeled-unicast   disable-peer-as-check   send-community   send-community extended soft-reconfiguration inbound address-family l2vpn evpn   disable-peer-as-check   send-community   send-community extended route-map NH_UNCHG out encapsulation mpls neighbor 192.168.1.9 inherit peer EBG-ACCESS neighbor 192.168.2.9 inherit peer EBG-ACCESS</pre>

Spine-2		
Enabling Feature	Interface Configuration	BGP/EVPN Configuration
<pre>install feature-set mpls feature-set mpls feature bgp feature mpls segment-routing feature mpls evpn feature interface-vlan feature lisp feature mpls oam feature mpls segment-routing traffic-engineering vlan 1 segment-routing mpls   global-block 16000 24000   connected-prefix-sid-map   address-family ipv4     172.25.0.22/32 absolute 16021 ip prefix-list NH-RESTRICT seq 5 permit 0.0.0.0/0 ip prefix-list node-sid-loopback seq 5 permit 172.25.0.22/32 route-map NH-RESTRICT deny 10   match ip address prefix-list NH-RESTRICT route-map NH-RESTRICT permit 20 route-map NH_UNCHG permit 10 set ip next-hop unchanged</pre>	<pre>interface Ethernet1/52 description connected to Leaf2 - 1/31 - 192.168.2.13 mtu 9216 logging event port link-status no ip redirects ip address 192.168.2.14/30 ip arp timeout 14400 mpls ip forwarding no shutdown  interface Ethernet1/53 description connected to Leaf2- 1/32 - 192.168.1.13 mtu 9216 logging event port link-status no ip redirects ip address 192.168.1.14/30 ip arp timeout 14400 mpls ip forwarding no shutdown  interface loopback0 ip address 172.25.0.22/32 no shut</pre>	<pre>router bgp 64087 router-id 172.25.0.22 bestpath as-path multipath-relax bestpath med missing-as-worst log-neighbor-changes nexthop suppress-default-resolution address-family ipv4 unicast network 172.25.0.22/32 maximum-paths 4 nexthop route-map NH-RESTRICT allocate-label route-map node-sid-label address-family ipv4 labeled-unicast   prefix-priority high   address-family l2vpn evpn   retain route-target all template peer EBG-ACCESS remote-as 65534 description EBG-PEERING-to-ACCESS address-family ipv4 unicast   disable-peer-as-check   send-community   send-community extended   default-originate   no advertise local-labeled-route  soft-reconfiguration inbound address-family ipv4 labeled-unicast   disable-peer-as-check   send-community   send-community extended soft-reconfiguration inbound address-family l2vpn evpn   disable-peer-as-check   send-community   send-community extended route-map NH_UNCHG out encapsulation mpls neighbor 192.168.1.13 inherit peer EBG-ACCESS neighbor 192.168.2.13 inherit peer EBG-ACCESS</pre>

```
install feature-set mpls
feature mpls
interface Ethernet1/53
switchport
switchport mode trunk
switchport trunk allowed vlan 301-310
no shut
```

```
interface vlan 301
no shutdown
no ip redirects
ip address 10.1.12.100/24
ip directed-broadcast ip-dir-bcast
ip arp timeout 720
```

```
install feature-set mpls
feature mpls
interface Ethernet1/54
switchport
switchport mode trunk
switchport trunk allowed vlan 301-310
no shut
```

```
interface vlan 301
no shutdown
no ip redirects
ip address 10.2.12.100/24
ip directed-broadcast ip-dir-bcast
ip arp timeout 720
```

## ةحصلال نم ققحتلا

حجحص لكشب نيوكتلا لمع ديكأتل مسقلا اذه مدختسا.

```
H1(config)# show ip int brief
```

```
IP Interface Status for VRF "default"(1)
```

Interface	IP Address	Interface Status
Vlan301	10.1.12.100	protocol-up/link-up/admin-up

```
H1(config)# ping 10.2.12.100
```

```
PING 10.2.12.100 (10.2.12.100): 56 data bytes
64 bytes from 10.2.12.100: icmp_seq=0 ttl=251 time=0.994 ms
64 bytes from 10.2.12.100: icmp_seq=1 ttl=251 time=0.586 ms
64 bytes from 10.2.12.100: icmp_seq=2 ttl=251 time=0.677 ms
64 bytes from 10.2.12.100: icmp_seq=3 ttl=251 time=0.615 ms
64 bytes from 10.2.12.100: icmp_seq=4 ttl=251 time=0.597 ms
```

```
--- 10.2.12.100 ping statistics ---
```

```
5 packets transmitted, 5 packets received, 0.00% packet loss
round-trip min/avg/max = 0.586/0.693/0.994 ms
```

```
H2(config)# show ip int brief
```

```
IP Interface Status for VRF "default"(1)
```

Interface	IP Address	Interface Status
Vlan301	10.2.12.100	protocol-up/link-up/admin-up

```
H2(config)# ping 10.1.12.100
```

```
PING 10.1.12.100 (10.1.12.100): 56 data bytes
64 bytes from 10.1.12.100: icmp_seq=0 ttl=251 time=1.043 ms
64 bytes from 10.1.12.100: icmp_seq=1 ttl=251 time=1.933 ms
64 bytes from 10.1.12.100: icmp_seq=2 ttl=251 time=0.865 ms
64 bytes from 10.1.12.100: icmp_seq=3 ttl=251 time=0.668 ms
64 bytes from 10.1.12.100: icmp_seq=4 ttl=251 time=0.713 ms
```

```
--- 10.1.12.100 ping statistics ---
```

```
5 packets transmitted, 5 packets received, 0.00% packet loss
round-trip min/avg/max = 0.668/1.044/1.933 ms
```

## اهحالصإو اءاطخأل فاشكتسا

اهحالصإو نيوكتلا اءاطخأ فاشكتسال اهم ادختسا كنكمي تامولعم مسقلا اذه رفوي.

```
spine1(config-router-af)# show mpls switching
```

```
Legend:
```

```
(P)=Protected, (F)=FRR active, (*)=more labels in stack.
```

```
IPv4:
```

In-Label	Out-Label	FEC name	Out-Interface	Next-Hop
16001	Pop Label	172.25.0.1/32	Eth1/53	10.1.1.9
16002	Pop Label	172.25.0.2/32	Eth1/54	10.2.1.9

```
In-Label VRF
492287 default
```

```
Block Label-Range
1 16000 - 24000
```

```
spine1(config-router-af)# show bgp l2vpn evpn
```

```
BGP routing table information for VRF default, address family L2VPN EVPN
BGP table version is 17, Local Router ID is 172.25.0.21
```

Network	Next Hop	Metric	LocPrf	Weight	Path
Route Distinguisher: 172.25.0.1:3					
*>e[5]:[0]:[0]:[24]:[12.1.12.0]/224	172.25.0.1	4294967295		0	65534 i
Route Distinguisher: 172.25.0.1:4					
*>e[5]:[0]:[0]:[24]:[12.1.13.0]/224	172.25.0.1	4294967295		0	65534 i
Route Distinguisher: 172.25.0.2:3					
*>e[5]:[0]:[0]:[24]:[10.2.12.0]/224	172.25.0.2	4294967295		0	65534 i
Route Distinguisher: 172.25.0.2:4					
*>e[5]:[0]:[0]:[24]:[10.2.13.0]/224	172.25.0.2	4294967295		0	65534 i

```

ping 10.1.12.200
PING 10.1.12.200 [10.1.12.200]: 56 data bytes
64 bytes from 10.1.12.200: icmp_seq=0 ttl=254 time=1.14 ms
64 bytes from 10.1.12.200: icmp_seq=1 ttl=254 time=0.687 ms
64 bytes from 10.1.12.200: icmp_seq=2 ttl=254 time=0.636 ms
64 bytes from 10.1.12.200: icmp_seq=3 ttl=254 time=0.636 ms
64 bytes from 10.1.12.200: icmp_seq=4 ttl=254 time=0.699 ms
--- 10.1.12.200 ping statistics ---
5 packets transmitted, 5 packets received, 0.00% packet loss
round-trip min/avg/max = 0.636/0.763/1.14 ms

H3# show ip int br
IP Interface Status for VRF "default"(1)
Interface IP Address Interface Status
Vlan301 10.1.12.100 protocol-up/link-up/admin-up

H3# show mac address-table
Legend:
* - primary entry, G - Gateway MAC, (R) - Routed MAC, O - Overlay MAC
age - seconds since last seen, + - primary entry using vPC Peer-Link,
(T) - True, (F) - False, C - ControlPlane MAC, - - vsan
VLAN MAC Address Type age Secure NTFY Ports
-----
* 301 0000.0000.1111 dynamic O F F Po30
* 301 00ea.bd27.86ef dynamic O F F Po30
G - 00ea.bd27.6285 static - F F sup-eth1(R)
G 301 00ea.bd27.6285 static - F F sup-eth1(R)

```

```

H3# show ip interface brief
Interface IP Address Interface Status
Vlan301 10.1.12.200 protocol-up/link-up/admin-up
H3# ping 10.1.12.100
PING 10.1.12.100 [10.1.12.100]: 56 data bytes
64 bytes from 10.1.12.100: icmp_seq=0 ttl=254 time=1.211 ms
64 bytes from 10.1.12.100: icmp_seq=1 ttl=254 time=0.694 ms
64 bytes from 10.1.12.100: icmp_seq=2 ttl=254 time=0.68 ms
64 bytes from 10.1.12.100: icmp_seq=3 ttl=254 time=0.673 ms
64 bytes from 10.1.12.100: icmp_seq=4 ttl=254 time=0.624 ms
--- 10.1.12.100 ping statistics ---
5 packets transmitted, 5 packets received, 0.00% packet loss
round-trip min/avg/max = 0.624/0.776/1.211 ms
H3# show int vlan 301
Vlan301 is up, line protocol is up, autostate enabled
Hardware is EtherSVL, address is 00ea.bd27.86ef
H3# show mac address-table
Legend:
* - primary entry, G - Gateway MAC, (R) - Routed MAC, O - Overlay MAC
age - seconds since last seen, + - primary entry using vPC Peer-Link,
VLAN MAC Address Type age Secure NTFY Ports
-----
* 301 0000.0000.1111 dynamic O F F Eth1/33
* 301 00ea.bd27.6285 dynamic O F F Eth1/33
G - 00ea.bd27.86ef static - F F sup-eth1(R)
G 301 00ea.bd27.86ef static - F F sup-eth1(R)

```

```

spine-1# show bgp l2vpn evpn
BGP routing table information for VRF default, address family L2VPN Evpn
BGP table version is 188, Local Router ID is 172.25.0.21
Status: s-suppressed, x-deleted, S-stale, d-dampened, h-history, *-valid, >-best
Path type: i-internal, e-external, c-confed, l-local, a-aggregate, r-redist, l-i-
njected
Origin codes: i - IGP, e - EGP, ? - incomplete, | - multipath, & - backup, 2 - Network
Next Hop Metric LocPrf Weight Path
Route Distinguisher: 172.25.0.15
*>e[5] [0] [0] [24] [10.1.12.0]/224
172.25.0.15 4294967295 0 65534 i
Route Distinguisher: 172.25.0.137164
*>e[2] [0] [0] [48] [00ea.bd27.6285] [0] [0.0.0.0]/216
172.25.0.15 4294967295 0 65534 i
*>e[2] [0] [0] [48] [00ea.bd27.6285] [32] [10.1.12.100]/272
172.25.0.15 4294967295 0 65534 i
*>e[3] [0] [12] [172.25.0.15]/88
172.25.0.15 4294967295 0 65534 i
Route Distinguisher: 172.25.0.237164
*>e[2] [0] [0] [48] [00ea.bd27.6285] [0] [0.0.0.0]/216
172.25.0.15 4294967295 0 65534 i
*>e[2] [0] [0] [48] [00ea.bd27.6285] [32] [10.1.12.100]/272
172.25.0.15 4294967295 0 65534 i
*>e[3] [0] [12] [172.25.0.15]/88
172.25.0.15 4294967295 0 65534 i

```

```

BGP routing table information for VRF default, address family L2VPN
Evpn
BGP table version is 188, Local Router ID is 172.25.0.22
Status: s-suppressed, x-deleted, S-stale, d-dampened, h-history, *-valid,
>-best
Path type: i-internal, e-external, c-confed, l-local, a-aggregate, r-redist, l-
i-
njected
Origin codes: i - IGP, e - EGP, ? - incomplete, | - multipath, & - backup, 2 -
b
Network Next Hop Metric LocPrf Weight Path
Route Distinguisher: 172.25.0.15
*>e[5] [0] [0] [24] [10.1.12.0]/224
172.25.0.15 4294967295 0 65534 i
Route Distinguisher: 172.25.0.137164
*>e[2] [0] [0] [48] [00ea.bd27.6285] [0] [0.0.0.0]/216
172.25.0.15 4294967295 0 65534 i
*>e[2] [0] [0] [48] [00ea.bd27.6285] [32] [10.1.12.100]/272
172.25.0.15 4294967295 0 65534 i
*>e[3] [0] [12] [172.25.0.15]/88
172.25.0.15 4294967295 0 65534 i
Route Distinguisher: 172.25.0.237164
*>e[2] [0] [0] [48] [00ea.bd27.6285] [0] [0.0.0.0]/216
172.25.0.15 4294967295 0 65534 i
*>e[2] [0] [0] [48] [00ea.bd27.6285] [32] [10.1.12.100]/272
172.25.0.15 4294967295 0 65534 i

```

```

spine-1# show ip int bri
IP Interface Status for VRF "default"(1)
Interface IP Address Interface Status
Lo0 172.25.0.21 protocol-up/link-up/admin-up
Eth1/45 192.168.1.10 protocol-up/link-up/admin-up
Eth1/46 192.168.2.10 protocol-up/link-up/admin-up
Eth1/52 192.168.3.10 protocol-up/link-up/admin-up

```

```

spine2# show ip int br
IP Interface Status for VRF "default"(1)
Interface IP Address Interface Status
Lo0 172.25.0.22 protocol-up/link-up/admin-up
Eth1/47 192.168.1.14 protocol-up/link-up/admin-up
Eth1/48 192.168.2.14 protocol-up/link-up/admin-up
Eth1/53 192.168.3.14 protocol-up/link-up/admin-up

```

ةمچرتل هذه ل و ح

ةلأل تاي نقتل ن م ة و مچ م ادخت ساب دن تسم ل ا ذه Cisco ت مچرت  
م ل ا ل اء ان ا ع مچ ي ف ن م دخت س م ل ل م عد ي و ت ح م م ي دقت ل ة ي ر ش ب ل و  
امك ة ق ي ق د ن و ك ت ن ل ة ي ل ا ة مچرت ل ض ف ا ن ا ة ظ ح ال م ي ج ر ي . ة ص ا خ ل ا م ه ت غ ل ب  
Cisco ي ل خ ت . ف ر ت ح م مچرت م ا ه م د ق ي ي ت ل ا ة ي ف ا ر ت ح ال ا ة مچرت ل ا ع م ل ا ح ل ا و ه  
ي ل ا م اء ا د ع و ج ر ل ا ب ي ص و ت و ت ا مچرت ل ا هذه ة ق د ن ع ا ه ت ي ل و ئ س م Cisco  
Systems (ر ف و ت م ط ب ا ر ل ا) ي ل ص ا ل ا ي ز ي ل ج ن ا ل ا دن ت س م ل ا