



Cisco 8510 Wireless Controller Installation Guide

October 2012

THE SPECIFICATIONS AND INFORMATION REGARDING THE PRODUCTS IN THIS MANUAL ARE SUBJECT TO CHANGE WITHOUT NOTICE. ALL STATEMENTS, INFORMATION, AND RECOMMENDATIONS IN THIS MANUAL ARE BELIEVED TO BE ACCURATE BUT ARE PRESENTED WITHOUT WARRANTY OF ANY KIND, EXPRESS OR IMPLIED. USERS MUST TAKE FULL RESPONSIBILITY FOR THEIR APPLICATION OF ANY PRODUCTS.

Americas Headquarters

Cisco Systems, Inc.
170 West Tasman Drive
San Jose, CA 95134-1706
USA
<http://www.cisco.com>
Tel: 408 526-4000
800 553-NETS (6387)
Fax: 408 527-0883

THE SOFTWARE LICENSE AND LIMITED WARRANTY FOR THE ACCOMPANYING PRODUCT ARE SET FORTH IN THE INFORMATION PACKET THAT SHIPPED WITH THE PRODUCT AND ARE INCORPORATED HEREIN BY THIS REFERENCE. IF YOU ARE UNABLE TO LOCATE THE SOFTWARE LICENSE OR LIMITED WARRANTY, CONTACT YOUR CISCO REPRESENTATIVE FOR A COPY.

The following information is for FCC compliance of Class A devices: This equipment has been tested and found to comply with the limits for a Class A digital device, pursuant to part 15 of the FCC rules. These limits are designed to provide reasonable protection against harmful interference when the equipment is operated in a commercial environment. This equipment generates, uses, and can radiate radio-frequency energy and, if not installed and used in accordance with the instruction manual, may cause harmful interference to radio communications. Operation of this equipment in a residential area is likely to cause harmful interference, in which case users will be required to correct the interference at their own expense.

The following information is for FCC compliance of Class B devices: This equipment has been tested and found to comply with the limits for a Class B digital device, pursuant to part 15 of the FCC rules. These limits are designed to provide reasonable protection against harmful interference in a residential installation. This equipment generates, uses and can radiate radio frequency energy and, if not installed and used in accordance with the instructions, may cause harmful interference to radio communications. However, there is no guarantee that interference will not occur in a particular installation. If the equipment causes interference to radio or television reception, which can be determined by turning the equipment off and on, users are encouraged to try to correct the interference by using one or more of the following measures:

- Reorient or relocate the receiving antenna.
- Increase the separation between the equipment and receiver.
- Connect the equipment into an outlet on a circuit different from that to which the receiver is connected.
- Consult the dealer or an experienced radio/TV technician for help.

Modifications to this product not authorized by Cisco could void the FCC approval and negate your authority to operate the product.

The Cisco implementation of TCP header compression is an adaptation of a program developed by the University of California, Berkeley (UCB) as part of UCB's public domain version of the UNIX operating system. All rights reserved. Copyright © 1981, Regents of the University of California.

NOTWITHSTANDING ANY OTHER WARRANTY HEREIN, ALL DOCUMENT FILES AND SOFTWARE OF THESE SUPPLIERS ARE PROVIDED "AS IS" WITH ALL FAULTS. CISCO AND THE ABOVE-NAMED SUPPLIERS DISCLAIM ALL WARRANTIES, EXPRESSED OR IMPLIED, INCLUDING, WITHOUT LIMITATION, THOSE OF MERCHANTABILITY, FITNESS FOR A PARTICULAR PURPOSE AND NON-INFRINGEMENT OR ARISING FROM A COURSE OF DEALING, USAGE, OR TRADE PRACTICE.

IN NO EVENT SHALL CISCO OR ITS SUPPLIERS BE LIABLE FOR ANY INDIRECT, SPECIAL, CONSEQUENTIAL, OR INCIDENTAL DAMAGES, INCLUDING, WITHOUT LIMITATION, LOST PROFITS OR LOSS OR DAMAGE TO DATA ARISING OUT OF THE USE OR INABILITY TO USE THIS MANUAL, EVEN IF CISCO OR ITS SUPPLIERS HAVE BEEN ADVISED OF THE POSSIBILITY OF SUCH DAMAGES.

CCVP, the Cisco logo, and Welcome to the Human Network are trademarks of Cisco Systems, Inc.; Changing the Way We Work, Live, Play, and Learn is a service mark of Cisco Systems, Inc.; and Access Registrar, Aironet, Catalyst, CCDA, CCDP, CCIE, CCIP, CCNA, CCNP, CCSP, Cisco, the Cisco Certified Internetwork Expert logo, Cisco IOS, Cisco Press, Cisco Systems, Cisco Systems Capital, the Cisco Systems logo, Cisco Unity, Enterprise/Solver, EtherChannel, EtherFast, EtherSwitch, Fast Step, Follow Me Browsing, FormShare, GigaDrive, HomeLink, Internet Quotient, IOS, iPhone, IP/TV, iQ Expertise, the iQ logo, iQ Net Readiness Scorecard, iQuick Study, LightStream, Linksys, MeetingPlace, MGX, Networkers, Networking Academy, Network Registrar, PIX, ProConnect, ScriptShare, SMARTnet, StackWise, The Fastest Way to Increase Your Internet Quotient, and TransPath are registered trademarks of Cisco Systems, Inc. and/or its affiliates in the United States and certain other countries.

All other trademarks mentioned in this document or Website are the property of their respective owners. The use of the word partner does not imply a partnership relationship between Cisco and any other company. (0711R)

Any Internet Protocol (IP) addresses and phone numbers used in this document are not intended to be actual addresses and phone numbers. Any examples, command display output, network topology diagrams, and other figures included in the document are shown for illustrative purposes only. Any use of actual IP addresses or phone numbers in illustrative content is unintentional and coincidental.

Cisco 8510 Wireless Controller Installation Guide
© 2014 Cisco Systems, Inc. All rights reserved.



CHAPTER 1

Cisco 8510 Wireless Controller Installation Guide	1-1
About this Guide	1-1
Cisco 8510 Wireless Controller	1-1
What is in the Cisco 8510 Wireless Controller	1-2
Integrated Management Module	1-2
Light path diagnostics	1-2
Compliance and Safety Information	1-3
FCC Safety Compliance Statement	1-3
General Warnings, Regulatory and Safety	1-3
Conventions	1-3
Warnings	1-4
Regulatory and Safety	1-4
Required Tools and Information	1-4
Required Hardware	1-4
CLI Console Requirements	1-5
System Configuration Parameters	1-5
Choosing a Physical Location for the Cisco 8510 Wireless Controller	1-6
General Precautions	1-6
Laser Devices	1-6
Space and Airflow Requirements	1-7
Temperature Requirements	1-7
Power Requirements	1-8
Power Supplies on the Cisco 8510 Wireless Controller	1-8
Batteries	1-8
Electrical Grounding Requirements	1-9
Rack Warnings	1-9
Unpacking the Controller	1-9
Package Contents	1-10
Mounting the Cisco 8510 Wireless Controller in a Rack	1-10
Installing the Controller Into the Rack Cabinet Using Universal Rack Mount Kit	1-10
Front Panel	1-17
Front Panel Components	1-17
Operator Information Panel	1-18
Operator Information Panel Components	1-19

Light Path Diagnostics Panel	1-19
Light Path Diagnostics Panel Components	1-20
Rear Panel	1-23
Rear Panel Components	1-23
Power-supply LEDs	1-26
Cisco 8510 Wireless Controller Power Features	1-28
Turning on the Cisco 8510 Wireless Controller	1-29
Turning off the Cisco 8510 Wireless Controller	1-29
Grounding the Chassis	1-29
Preventing ESD Damage	1-29
Replacing a Failed Hot-Swap Hard Disk Drive	1-30
Replacing a Hot-Swap AC Power Supply	1-31
Replacing a Hot-Swap -48 VDC Power Supply	1-32
Safety Information	1-36
Removing DC Power Supply from Controller	1-38
Connecting the Cables	1-39
Connecting and Using the CLI Console	1-39
Powering On the Controller	1-40
Connecting the AC Version of the 8510 [AIR-CT8510-K9] to a Power Source	1-40
Connecting the DC Version of the 8510 [AIR-CT85DC-K9] to a Power Source	1-40
Running the Bootup Script and Power-On Self Test	1-40
Using the Startup Wizard	1-42
Logging into the Controller	1-46
Verifying Interface Settings and Port Operation	1-46
Connecting the Network (Distribution System)	1-47
Connecting the Controller's Service Port (Optional)	1-47
Connecting Access Points	1-47
Controller Specifications	1-48
Cisco 90-Day Limited Hardware Warranty Terms	1-48

APPENDIX A

Safety Considerations and Translated Safety Warnings A-1

Safety Considerations	A-2
Warning Definition	A-2
More Than One Power Supply	A-5
Installation Instructions	A-7
Ground Conductor Warning	A-9

Chassis Warning for Rack-Mounting and Servicing	A-11
Equipment Installation Warning	A-20
Battery Handling	A-23
Product Disposal	A-25
Power Cable and AC Adapter	A-27
Class 1 Laser Product	A-28

APPENDIX B**Regulatory Information B-1**

FCC Statement for Cisco 8510 Wireless Controller	B-1
Declaration of Conformity with Regard to the EU Directive 1999/5/EC (R&TTE Directive)	B-1
Statement 191—VCCI Class A Warning for Japan	B-2



Cisco 8510 Wireless Controller Installation Guide

About this Guide

This guide is designed to help you install and minimally configure your Cisco 8510 Wireless Controller. This document applies to the following products:

- AIR-CT8510-K9 - the AC version of the Cisco 8510 Wireless Controller
- AIR-CT85DC-K9 - the DC version of the Cisco 8510 Wireless Controller

After installation and power up is complete, refer to the following documents for additional information:

- For information about Wireless LAN Controller software, see <http://www.cisco.com/c/en/us/support/wireless/wireless-lan-controller-software/tsd-products-support-series-home.html>.
- For information about Cisco 8500 Series Wireless LAN Controller, see <http://www.cisco.com/c/en/us/support/wireless/8500-series-wireless-controllers/tsd-products-support-series-home.html>

Cisco 8510 Wireless Controller

The Cisco 8510 Wireless Controller is a highly scalable and flexible platform that enables mission-critical wireless networking in large-scale service provider and large-campus deployments.

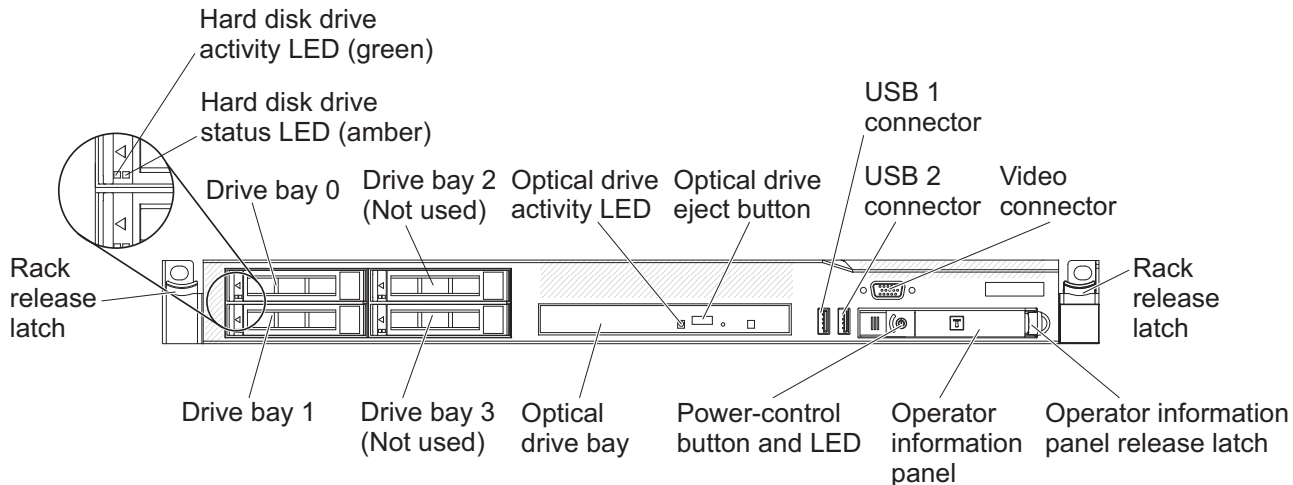
The Cisco 8510 Wireless Controller can manage wireless access points in up to 6,000 branch locations and allows IT managers to configure, manage, and troubleshoot up to 6,000 access points and 64,000 clients from the data center. The Cisco 8510 Wireless Controller supports secure guest access, rogue detection for Payment Card Industry (PCI) compliance and in-branch (locally switched) Wi-Fi voice and video.

The Cisco 8510 Wireless Controller can manage Centralized (local mode), FlexConnect mode, and mesh deployments in a single controller.

This Installation Guide contains information and instructions for setting up your Cisco 8510 Wireless Controller and instructions for cabling and configuring the controller. For diagnostics and troubleshooting information, see diagnostics and troubleshooting tables, [Table 1-1 on page 1-21](#) and [Table 1-2 on page 1-26](#).

**Note**

The Cisco 8510 Wireless Controller is available in two versions: the standard AC version with the PID [AIR-CT8510-K9] and the new DC version with the PID [AIR-CT85DC-K9]. The only difference between these two offerings is the power supply shipped with the product.

Figure 1-1**Cisco 8510 Wireless Controller****Note**

The power supply, fan, and temperature status are periodically polled from the Cisco WLC software in the intervals of 600 seconds (10 minutes). Therefore, any change in the status of power supply, fan, or temperature can take up to 600 seconds to be reflected.

What is in the Cisco 8510 Wireless Controller

The following sections describe the features and technologies used by the Cisco 8510 Wireless Controller.

Integrated Management Module

The Integrated Management Module (IMM) combines service processor functions. The IMM provides advanced service-processor control, monitoring, and alerting function. If an environmental condition exceeds a threshold or if a system component fails, the IMM lights LEDs to help you diagnose the problem, records the error in the event log, and alerts you to the problem. The IMM provides remote server management through the following industry-standard interfaces:

- Simple Network Management Protocol (SNMP) version 3
- Web browser

For additional information, see the *Integrated Management Module User Guide*.

Light path diagnostics

Light path diagnostics provides LEDs to help you diagnose problems. For more information about the light path diagnostics, see [Light Path Diagnostics Panel, page 1-19](#).

Compliance and Safety Information

FCC Safety Compliance Statement

Modifying the equipment without Cisco's authorization may result in the equipment no longer complying with FCC requirements for Class A digital devices. In that event, your right to use the equipment may be limited by FCC regulations, and you may be required to correct any interference to radio or television communications at your own expense.

This equipment has been tested and found to comply with the limits for a Class A digital device, pursuant to Part 15 of the FCC Rules. These limits are designed to provide reasonable protection against harmful interference when the equipment is operated in a commercial environment. This equipment generates, uses, and can radiate radio frequency energy and, if not installed and used in accordance with the instruction manual, may cause harmful interference to radio communications. Operation of this equipment in a residential area is likely to cause harmful interference in which case users will be required to correct the interference at their own expense.

Try to correct the interference by one or more of the following measures:

- Verify that the ambient temperature remains between 50 to 95° F (10 to 35° C), taking into account the elevated temperatures when installed in a rack or enclosed space.
- When multiple Cisco 8510 Wireless Controller are mounted in an equipment rack, be sure that the power source is sufficiently rated to safely run all the equipment in the rack.
- Verify the integrity of the electrical ground before installing the controller.

General Warnings, Regulatory and Safety

Conventions

Safety warnings appear throughout this guide in procedures that may harm you if performed incorrectly. A warning symbol precedes each warning statement. Specific warnings are included in the sections to which they apply.



This warning symbol means danger. You are in a situation that could cause bodily injury. Before you work on any equipment, be aware of the hazards involved with electrical circuitry and be familiar with standard practices for preventing accidents. Use the statement number provided at the end of each warning to locate its translation in the translated safety warnings that accompanied this device. Statement 1071 SAVE THESE INSTRUCTIONS

**Caution**

Means reader be careful. In this situation, you might do something that could result in equipment damage or loss of data.

Warnings

The warnings below are general warnings that are applicable to the entire guide. Specific warnings are included in the sections to which they apply.

**Warning**

There is the danger of explosion if the battery is replaced incorrectly. Replace the battery only with the same or equivalent type recommended by the manufacturer. Dispose of used batteries according to the manufacturer's instructions. Statement 1015

**Warning**

Read the installation instructions before connecting the system to the power source. Statement 1004

**Warning**

Only trained and qualified personnel should be allowed to install, replace, or service this equipment. Statement 1030

**Warning**

Ultimate disposal of this product should be handled according to all national laws and regulations. Statement 1040

**Warning**

Class 1 laser product. Statement 1008

Required Tools and Information

This section lists the required hardware and other information that you need to install and setup the controller.

Required Hardware

You need the following equipment to install a Cisco 8510 Wireless Controller in an Electronics Industries Alliance (EIA) rack:

- A Cisco 8510 Wireless Controller
- Network cables
- One rack unit (RU) free space in an EIA-standard rack
- One or two Cisco SFP-10G-SR modules and corresponding optical cables
- Rack mounting kit (included with the Cisco 8510 Wireless Controller shipment)
- A serial console cable

For installing AIR-CT85DC-K9, the DC version of the Cisco Series 8500 Wireless Controller, 12 AWG copper cables and appropriate termination connectors are required. See details in [Powering On the Controller, page 1-40](#).



Note If you are installing this unit in a threaded-hole rack, you must supply screws that fit the threaded-hole rack and the appropriate screwdriver or Torx driver for those screws.

CLI Console Requirements

You need this equipment to connect to the controller console:

- ANSI or VT-100 terminal emulator application on a laptop, desktop, or palmtop



Note Please refer to the latest *Release Notes for Cisco 8500 Series Wireless Controller* for compatibility by release between the Cisco Prime Infrastructure and controller releases at: <http://www.cisco.com/c/en/us/support/wireless/8500-series-wireless-controllers/products-release-notes-list.html>

System Configuration Parameters

Obtain the following initial configuration parameters from your wireless LAN or network administrator:

- A system (controller) name.
- An administrative username and password.
- A service port interface IP address configuration protocol (none or DHCP).
- A management interface (DS port or network interface port) IP address.



Note The service port interface and management interface must be on different subnets.

- A management interface netmask address.
- A management interface default router IP address.
- A VLAN identifier if the management interface is assigned to a VLAN, or 0 for an untagged VLAN.
- Distribution system physical port number—1 through 2 for back panel 10 Gigabit Ethernet ports (with SFP+ 10G module).
- IP address of the default DHCP server that will supply IP addresses to clients.
- A virtual gateway IP address (a fictitious, unassigned IP address, such as 192.0.2.1, used by all Cisco wireless LAN controller Layer 3 security and mobility managers).
- A Cisco wireless LAN controller mobility group name, if required.
- An 802.11 network name (SSID) for WLAN 1. This is the default SSID that the access points use when they join with the controller.
- Whether or not to allow static IP addresses from clients.
 - Yes is more convenient, but has lower security (session can be hijacked).
 - No is less convenient, but has higher security and works well for Windows XP devices.

- RADIUS server IP address, communications port, and secret (if you are configuring a RADIUS server).
- The country code for this installation. Refer to the *Cisco Wireless LAN Controller Configuration Guide* for country code information. This guide is available at cisco.com.
- Status of the 802.11a, 802.11b, and 802.11g networks (enabled or disabled).
- Status of radio resource management (RRM) (enabled or disabled).
- An IP address for the Integrated Management Module (IMM), if you are using a static IP address for IMM access. The IMM can use either a shared port with service port or the dedicated IMM Ethernet port.

Choosing a Physical Location for the Cisco 8510 Wireless Controller

For maximum safety and reliability, mount the controller using the following guidelines.

General Precautions

To reduce the risk of personal injury or damage to the controller:

- Place the product away from radiators, heat registers, stoves, amplifiers, or other products that produce heat.
- Never use the product in a wet location.
- Avoid inserting foreign objects through openings in the product.
- To reduce risk of injury from electric shock hazards, do not open the product enclosure.

Laser Devices

Laser devices are used within the DVD of the controller. The DVD has no defined use at the customer site.

To reduce the risk of exposure to hazardous radiation:

- Do not try to open the laser device enclosure. There are no user-serviceable components inside.
- Do not operate controls, make adjustments, or perform procedures to the laser device other than those specified herein.
- Allow only Cisco authorized service technicians to repair the laser device.

Space and Airflow Requirements

Install the controller in a EIA-standard rack. One rack unit is required for each controller.

Ensure that you can reach the controller and all cables.

- Ensure that the controller is within 328 ft (100 m) equivalent distance from any equipment connected to the 10/100/1000BASE-T/10G ports. For specifications on the fiber optic cables, see [“Connecting the Network \(Distribution System\)” section on page 1-47](#).

- Ensure that the power cord can reach a 110 or 220 VAC grounded electrical outlet.

Ensure that there is sufficient room at the back of the controller for all cables and connectors.

- Leave a minimum clearance of 63.5 cm (25 in.) in front of the rack.
- Leave a minimum clearance of 76.2 cm (30 in.) behind the rack.
- Leave a minimum clearance of 121.9 cm (48 in.) from the back of the rack to the back of another rack or row of racks.

**Caution**

To prevent improper cooling and damage to the equipment, do not block the ventilation openings.

**Caution**

Always use blanking panels to fill empty vertical spaces in the rack. This arrangement ensures proper airflow. Using a rack without blanking panels results in improper cooling that can lead to thermal damage.

**Caution**

When selecting a rack to use, observe the following additional requirements to ensure adequate airflow and to prevent damage to the equipment: (1) Front and rear doors—If the 42U rack includes closing front and rear doors, you must allow 5,350 sq. cm (830 sq. in.) of holes evenly distributed from top to bottom to permit adequate airflow (equivalent to the required 64 percent open area for ventilation). (2) Side—The clearance between the installed rack component and the side panels of the rack must be a minimum of 7 cm (2.75 in.).

Temperature Requirements

To ensure continued safe and reliable equipment operation, install or position the system in a well ventilated, climate-controlled environment.

Ensure that the ambient operating temperature remains between 10 and 35° C (50 and 95° F), taking into account the elevated temperatures that occur when equipment is installed in a rack.

**Caution**

To reduce the risk of damage to the equipment when installing third-party options: (1) Do not permit optional equipment to impede airflow around the controller or to increase the internal rack temperature beyond the maximum allowable limits. (2) Do not exceed the manufacturer's maximum recommended ambient temperature (TMRA).

Power Requirements

Installation of this equipment must comply with local and regional electrical regulations governing the installation of information technology equipment by licensed electricians. This equipment is designed to operate in installations covered by NFPA 70, 1999 Edition (National Electric Code) and NFPA 75, 1992 (code for Protection of Electronic Computer/Data Processing Equipment). For electrical power ratings on options, refer to the product rating label or the user documentation supplied with that option.

**Caution**

Protect the controller from power fluctuations and temporary interruptions with a regulating uninterruptible power supply (UPS). This device protects the hardware from damage caused by power surges and voltage spikes and keeps the system in operation during a power failure.

When installing more than one controller, you may need to use additional power distribution devices (PDUs) to safely provide power to all devices. Observe the following guidelines:

- Balance the controller power load among available AC supply branch circuits.
- If you are using the AC version [AIR-CT8510-K9], do not allow the overall system AC current load to exceed 80 percent of the branch circuit AC current rating.
- Do not use common power outlet strips for this equipment.
- Provide a separate electrical circuit for the controller.

Please follow the instructions in [Connecting the DC Version of the 8510 \[AIR-CT85DC-K9\] to a Power Source, page 1-40](#) to connect the DC version [AIR-CT85DC-K9] to DC power source.

Power Supplies on the Cisco 8510 Wireless Controller

The Cisco 8510 Wireless Controller has two power supplies.

**Warning**

This unit might have more than one power supply connection. All connections must be removed to de-energize the unit. Statement 1028

**Caution**

Verify that the external power source connected to the controller matches the type of power source indicated on the electrical ratings label. If you are not sure of the type of power source required, consult your Cisco authorized reseller or local power company.

Batteries

The controller might include a real-time clock battery or coin cell battery that might contain perchlorate and might require special handling when recycled or disposed of in California.

Refer to the following link for disposal information.

<http://www.dtsc.ca.gov/hazardouswaste/perchlorate>

**Caution**

Do not dispose of batteries with the general household waste. Recycle them using the public collection system.

Electrical Grounding Requirements

The controller must be grounded properly for proper operation and safety. In the United States, you must install the equipment in accordance with NFPA 70, 1999 Edition (National Electric Code), Article 250, as well as any local and regional building codes. In Canada, you must install the equipment in accordance

with Canadian Standards Association, CSA C22.1, Canadian Electrical Code. In all other countries, you must install the equipment in accordance with any regional or national electrical wiring codes, such as the International Electrotechnical Commission (IEC) Code 364, parts 1 through 7.

Furthermore, you must verify that all power distribution devices used in the installation, such as branch wiring and receptacles, are listed or certified grounding-type devices. Because of the high ground-leakage currents associated with multiple systems connected to the same power source, Cisco recommends the use of a PDU that is either permanently wired to the building's branch circuit or includes a nondetachable cord that is wired to an industrial-style plug. NEMA locking-style plugs or those complying with IEC 60309 are considered suitable for this purpose. Using common power outlet strips for the controller is not recommended.

Rack Warnings



Warning

To prevent bodily injury when mounting or servicing this unit in a rack, you must take special precautions to ensure that the system remains stable. The following guidelines are provided to ensure your safety: (1) This unit should be mounted at the bottom of the rack if it is the only unit in the rack. (2) When mounting this unit in a partially filled rack, load the rack from the bottom to the top with the heaviest component at the bottom of the rack. (3) If the rack is provided with stabilizing devices, install the stabilizers before mounting or servicing the unit in the rack. Statement 1006.



Caution

To reduce the risk of personal injury or equipment damage when unloading a rack, at least two people are needed to safely unload the rack from the pallet.



Caution

To prevent damage, ensure that water or excessive moisture cannot get into the controller.

Unpacking the Controller

Follow these steps to unpack the Cisco 8510 Wireless Controller and prepare it for operation:

-
- Step 1** Open the shipping container and carefully remove the contents.
 - Step 2** Return all packing materials to the shipping container and save it.
 - Step 3** Ensure that all items listed in the [“Package Contents” section on page 1-9](#) are included in the shipment.
 - Step 4** Check each item for damage. If any item is damaged or missing, notify your authorized Cisco sales representative.
-

Package Contents

Each controller package contains the following items:

- Cisco 8510 Wireless Controller

- One rack mount kit
- Two power cords (for AIR-CT8510-K9 only)
- One console cable for 10 Gb SFP+ card
- *Regulatory Compliance and Safety Information for the Cisco 8510 Wireless Controller*
- Cisco product registration and Cisco documentation feedback cards

Mounting the Cisco 8510 Wireless Controller in a Rack



Warning

Only trained and qualified personnel should be allowed to install, replace, or service this equipment. Statement 1030



Caution

The controller is heavy (35 lbs, 15.9 kgs).

To reduce the risk of personal injury or damage to the equipment:

- Observe local occupational health and safety requirements and guidelines for manual material handling.
- Get help to lift and stabilize the controller during installation or removal is recommended, especially when the system is not fastened to the rails.
- Use caution when installing the controller in or removing it from the rack; it is unstable when not fastened to the rails.
- Always plan the rack installation so that the heaviest item is on the bottom of the rack. Install the heaviest item first and continue to populate the rack from the bottom to the top.

The controller comes with a universal rack mount kit that can be installed in a square-hole rack, round-hole rack, or a threaded-hole rack. You can order replacement universal rack mount kits from Cisco. The replacement part PID is AIR-SRVR-URMK=.



Note

You must provide the threaded-hole screws to secure the mounting rails to the rack. Threaded-hole screws are not shipped with the system.

Installing the Controller Into the Rack Cabinet Using Universal Rack Mount Kit

Review the documentation that comes with the rack cabinet for safety and cabling information. Before you install the controller in a rack cabinet, review the following guidelines:

- Two or more people are required to install this device in a rack cabinet.
- Make sure that the room air temperature is below 35° C (95° F).
- Do not block any air vents; usually 15 cm (6 in.) of space provides proper airflow.
- Do not leave open spaces above or below an installed controller in your rack cabinet. To help prevent damage to controller components, always install a blank filler panel to cover the open space and to help ensure proper air circulation.
- Install the controller only in a rack cabinet with perforated doors.

- Plan the device installation starting from the bottom of the rack cabinet.
- Install the heaviest device in the bottom of the rack cabinet.
- Do not extend more than one device out of the rack cabinet at the same time.
- Remove the rack doors and side panels to provide easier access during installation.
- Connect the controller to a properly grounded outlet.
- Do not overload the power outlet when you install multiple devices in the rack cabinet.
- Install the controller in a rack that meets the following requirement:
 - Minimum depth of 70 mm (2.76 in.) between the front mounting flange and inside of the front door.

**Caution**

Use safe practices when lifting.



≥ 18 kg (39.7 lb.)



≥ 32 kg (70.5 lb.)



≥ 55 kg (121.2 lb.)

**Caution**

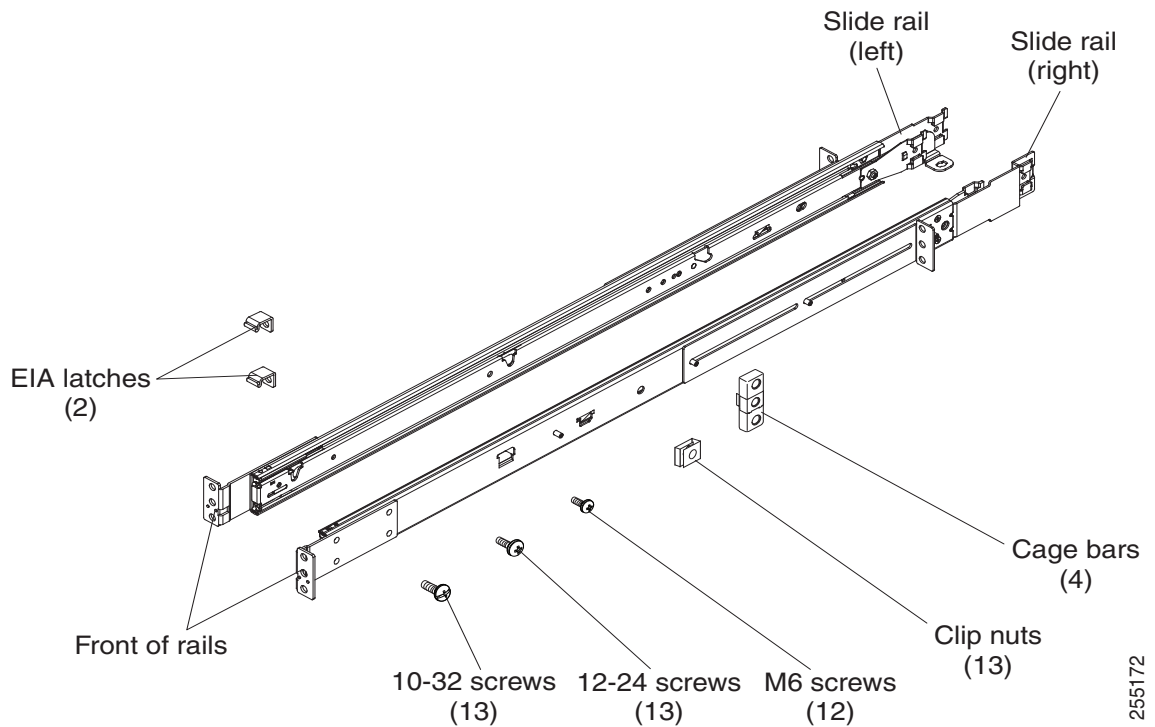
Do not place any object on top of rack-mounted devices.



The following illustration shows the items that you need to install the controller in the rack cabinet. If any items are missing or damaged, contact your place of purchase.

**Note**

Some items come with the controller, not in the rack installation kit.

**Note**

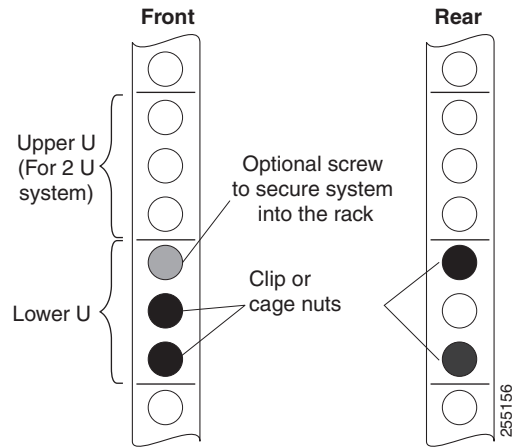
Use cage bars with square-holed racks, clip nuts with round-holed racks, and your own screws or the screws provided in this kit with threaded-hole racks.

**Note**

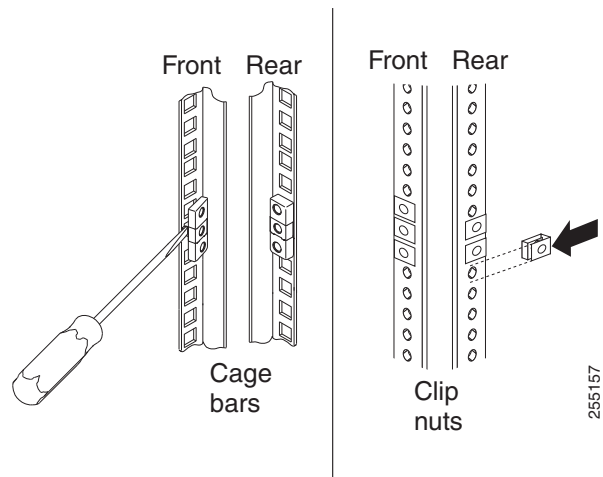
If the slide rails in your rack installation kit came with shipping thumbscrews, remove them before you begin the following installation procedure.

Step 1

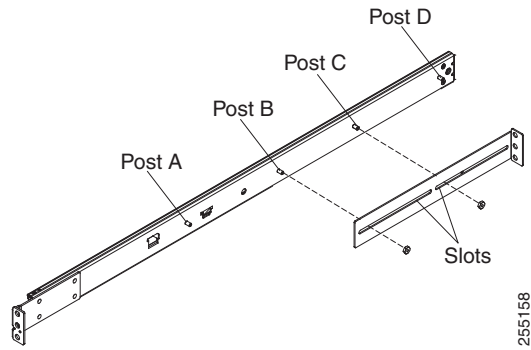
Select an available 1U space in your rack to install your controller. If you have either a round-holed or square-holed rack, install cage bars or clip nuts in the middle and the bottom (optional for the upper) holes of the lower U on each side of the front of the rack. Then, install cage bars or clip nuts in the upper and the bottom holes of the lower U on each side of the rear of the rack.



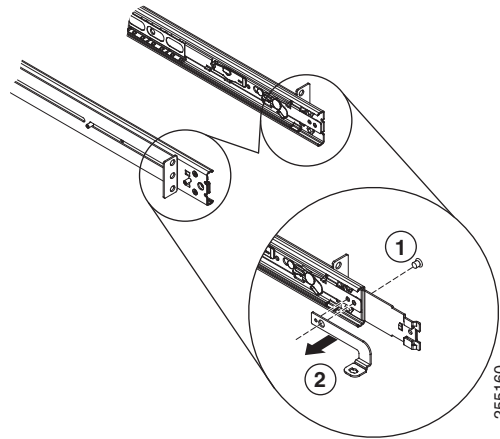
- Step 2** Use a screwdriver to install the cage bars or the clip nuts on the inside of the mounting rail, as required for your rack, into the selected holes.



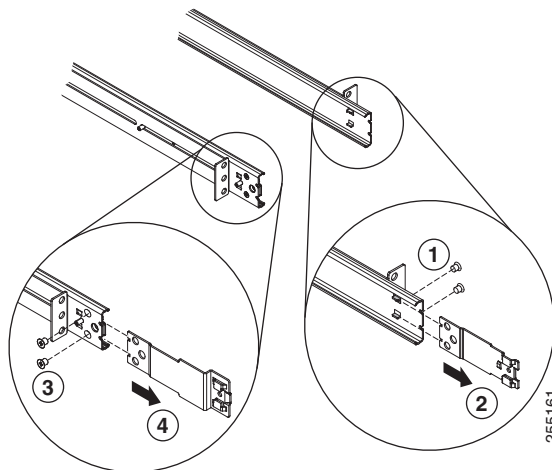
- Step 3** The rail depth can be adjusted from 17 in (432 mm) to 31.25 in (794 mm). To adjust the depth, you can loosen the nuts on the posts and slide the bracket until the distance between the front and rear slide rail flanges matches the distance between the front and rear EIA rails of the rack cabinet. If you need further adjustment, remove the nuts, move the bracket to the appropriate set of posts (A, B, C, and D) to obtain the appropriate slide rail depth, then reinstall and tighten the nuts.



- Step 4** To remove the support bracket, remove the screw (1) and remove the bracket (2) from the rear of the slide rail.



- Step 5** To remove the mounting brackets, remove the screws (1) and (3). Slide out the brackets (2) and (4) from the rear of the slide rail.



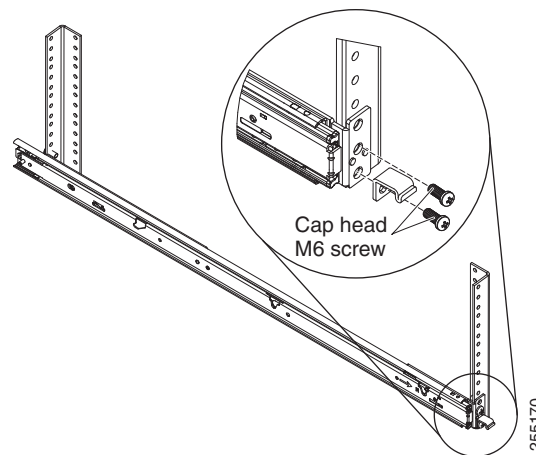
- Step 6** Attach the front of the slide rail and EIA latch to the front of the rack cabinet by installing a screw in the bottom hole of the lower U; then, install another screw in the middle hole of the lower U to attach the front of the slide rail to the front of the rack cabinet.



Note When you fasten the slides to the rack, ensure the screws are engaged but the flange can move slightly. You will use a screwdriver to fully tighten them in [Step 9](#).

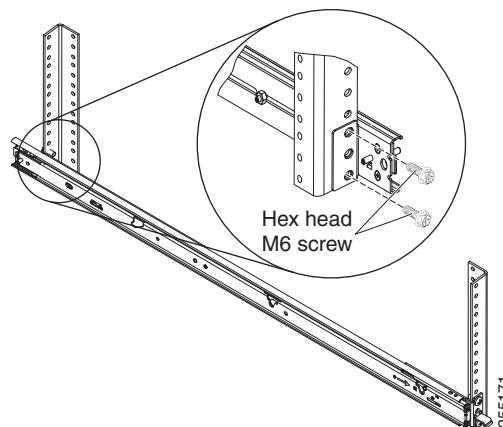


Note Use 12-24 screws (not hex head M6 screws) on the front mounting bracket if you are installing this system into a rack with round or square holes (i.e., not threaded holes).

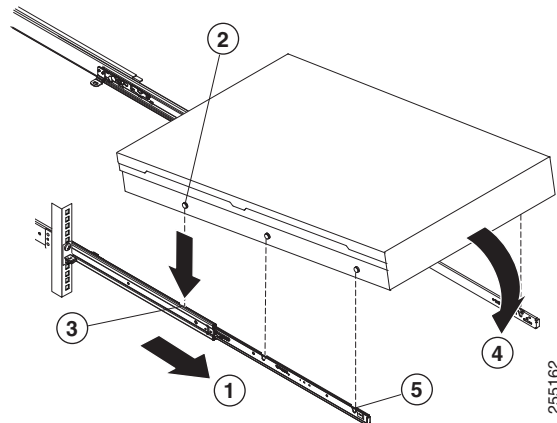


- Step 7** Use two screws to attach the rear of the slide rail to the rear of the rack cabinet in the upper and the bottom holes of the lower U.

Repeat [Step 3](#) through [Step 7](#) to install the other slide rail into the rack.

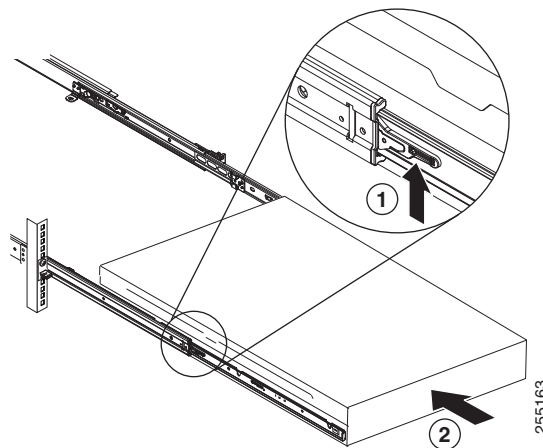


- Step 8** Pull the slide rails forward (1) until they click, two times, into place. Carefully lift the controller and tilt it into position over the slide rails so that the rear nail heads (2) on the controller line up with the rear slots (3) on the slide rails. Slide the controller down until the rear nail heads slip into the two rear slots, and then slowly lower the front of the controller (4) until the other nail heads slip into the other slots on the slide rails. Make sure that the front latch (5) slides over the nail heads.



- Step 9** Lift the locking levers (1) on the slide rails and push the controller (2) all the way into the rack until it clicks into place.

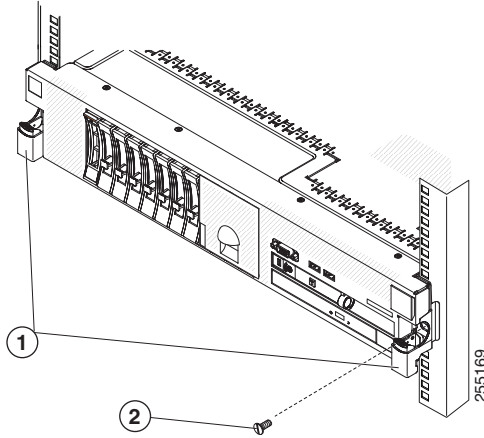
Slide the system in and out twice to make sure the system slides correctly. Push the system inwards to the rack as close as possible but able to access the screws with a screwdriver. Then tighten the screws with a screwdriver.



- Step 10** Slide the controller into the rack until it snaps into place. To slide the controller out of the rack, press on the release latches (1).

**Note**

When you move the rack cabinet, or if you install the rack cabinet in a vibration-prone area, insert the optional M6 screws (2) in the front of the controller.



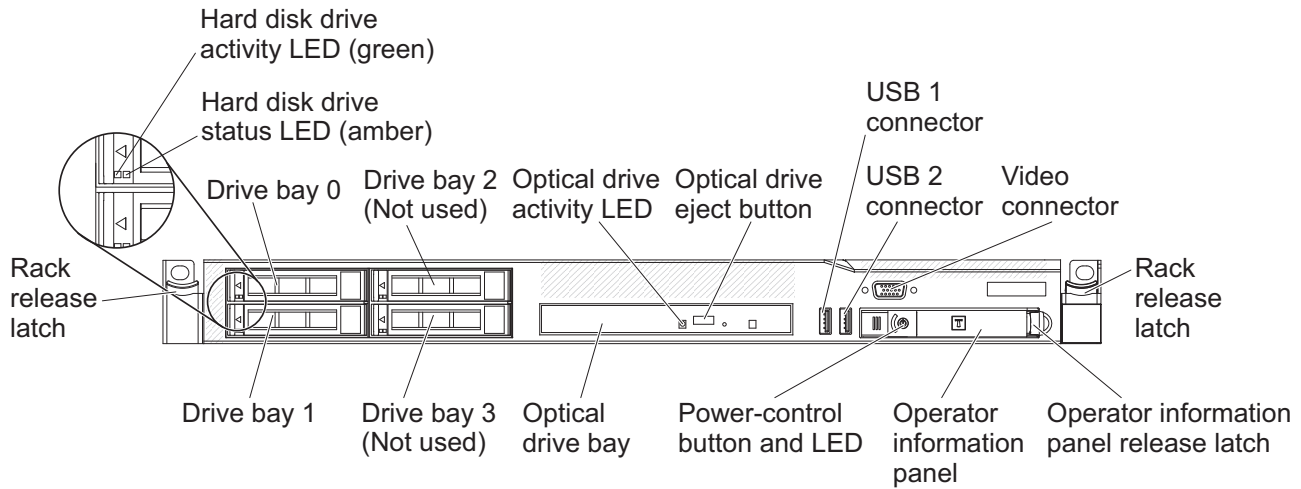
To remove the controller from the rack, reverse these instructions. Store this information with your controller documentation for future use.

Front Panel

Figure 1-2 shows the controls, Light Emitting Diodes (LEDs), and connectors on the front panel of the Cisco 8510 Wireless Controller.

Figure 1-3 shows a detailed view of the operator information panel.

Figure 1-2 Cisco 8510 Wireless Controller Front Panel



282299

Front Panel Components

- **Rack release latches:** Press the latches on each front side of the controller to remove it from the rack.

- **Hard disk drive status LEDs:** This LED is used to indicate the status of the SAS hard disk drives. When this LED is lit, it indicates that the drive has failed. When this LED is flashing slowly (one flash per second), it indicates that the drive is being rebuilt. When the LED is flashing rapidly (three flashes per second), it indicates that the controller is identifying the drive.
- **Hard disk drive activity LEDs:** Each hot-swap hard disk drive has an activity LED, and when this LED is flashing, it indicates that the drive is in use.
- **Optical drive eject button:** Press this button to release a DVD or CD from the DVD drive.
- **Optical drive activity LED:** When this LED is lit, it indicates that the DVD drive is in use.
- **Operator information panel:** This panel contains controls and LEDs that provide information about the status of the controller. For information about the controls and LEDs on the operator information panel, see [Operator Information Panel, page 1-18](#).
- **Operator information panel release latch:** Slide the blue release latch to the left to pull out the light path diagnostics panel and view the light path diagnostics LEDs and buttons. See [Light Path Diagnostics Panel, page 1-19](#) for more information about the light path diagnostics.
- **Video connector:** Connect a monitor to this connector. The video connectors on the front and rear of the controller can be used simultaneously. Controller configuration and management is only supported via the serial console connection. Controller configuration and management is not supported using the keyboard and monitor directly connected to the controller.



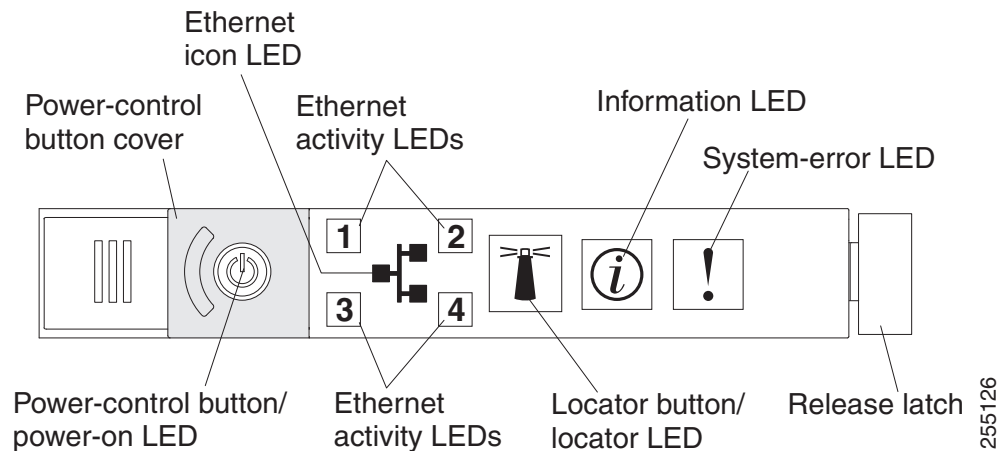
Note The maximum video resolution is 1600 x 1200 at 75 Hz.

- **USB connectors:** Connect a USB device, such as a USB mouse or keyboard, to any of these connectors. During normal operation, this USB slot is not used by the Cisco 8510 Wireless Controller.

Operator Information Panel

Figure 1-3 shows a detailed view of the controls and LEDs on the operator information panel.

Figure 1-3 Close Up of Cisco 8510 Wireless Controller Operator Information Panel



Operator Information Panel Components

- **Power-control button and power-on LED:** Press this button to turn the controller on and off manually or to wake it from a reduced-power state. The states of the power-on LED are as follows:
 - **Off:** Power is not present, or the power supply or the LED itself has failed.
 - **Flashing rapidly (4 times per second):** The controller is turned off and is not ready to be turned on. The power-control button is disabled. This will last approximately 20 to 40 seconds.
 - **Flashing slowly (once per second):** The controller is turned off and is ready to be turned on. You can press the power-control button to turn on the controller.
 - **Lit:** The controller is turned on.
 - **Fading on and off:** The controller is in a reduced-power state. To wake the controller, press the power-control button or use the IMM Web interface. See the *Integrated Management Module User's Guide* for information on logging on to the IMM Web interface.
- **Ethernet activity LEDs:** When any of these LEDs is lit, they indicate that the controller is transmitting to or receiving signals from the Ethernet LAN that is connected to the Ethernet port that corresponds to that LED.
- **System-locator button/LED:** Use this blue LED to visually locate the controller among other servers. This LED is also used as a presence detection button. This LED is controlled by the IMM. When you press the System-locator button, the LED will blink and it will continue to blink until you press it again to turn it off. The locator button is pressed to visually locate the controller among the other servers.
- **System-information LED:** When this amber LED is lit, it indicates that a noncritical event has occurred. The IMM can be used to diagnose and correct the problem.
- **System-error LED:** When this amber LED is lit, it indicates that a system error has occurred. A system-error LED is also on the rear of the controller. An LED on the light path diagnostics panel on the operator information panel is also lit to help isolate the error. This LED is controlled by the IMM.

Light Path Diagnostics Panel

The light path diagnostics panel is on the top of the operator information panel, as shown in [Figure 1-4](#). For additional information about the LEDs on the light path diagnostics panel, see [Table 1-1](#).

To access the light path diagnostics panel, slide the blue release button on the operator information panel to the left. Pull forward on the unit until the hinge of the operator panel is free of the chassis. Then pull down on the unit, so that you can view the light path diagnostics panel information.

**Note**

When you slide the light path diagnostics panel out of the controller to check the LEDs or checkpoint codes, do not run the controller continuously with the light path diagnostics panel outside of the controller. The panel should only be outside of the controller a short time. The light path diagnostics panel must remain in the controller when it is running to ensure proper cooling.

Figure 1-4 Light Path Diagnostics Panel

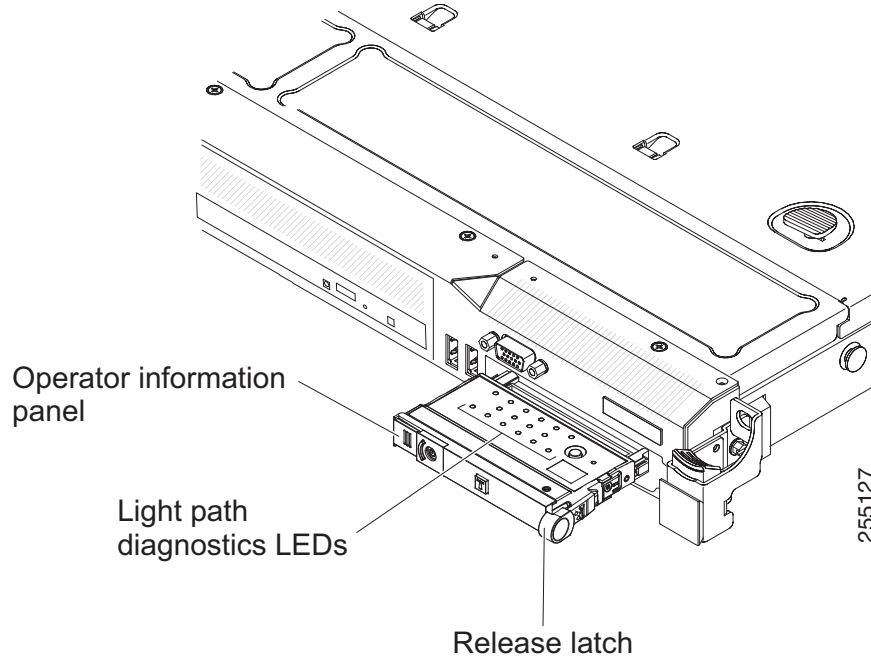
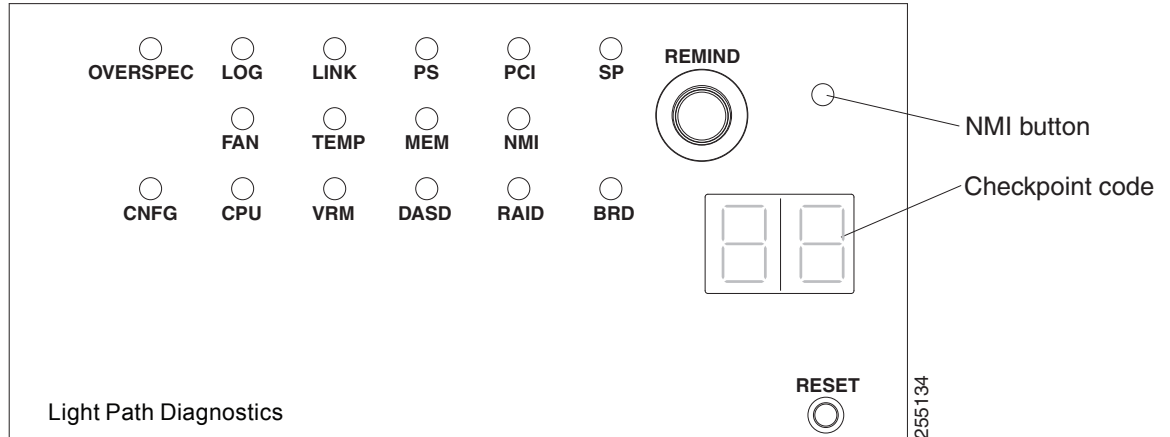


Figure 1-5 shows the LEDs and controls on the light path diagnostics panel.

Figure 1-5 Light Path Diagnostics Panel Components



Light Path Diagnostics Panel Components

- Remind button:** This button places the system-error LED on the front panel into Remind mode. In Remind mode, the system-error LED flashes once every 2 seconds until the problem is corrected, the controller is restarted, or a new problem occurs.

By placing the system-error LED indicator in Remind mode, you acknowledge that you are aware of the last failure but will not take immediate action to correct the problem. The Remind function is controlled by the IMM.

- **NMI button:** This button is used to force a nonmaskable interrupt to the microprocessor. This button is not currently used by the Cisco 8510 Wireless Controller. Press this button only when directed by the Cisco TAC personnel.
- **Checkpoint code display:** This display provides a checkpoint code that indicates the point at which the system stopped during the boot block and POST. A checkpoint code is either a byte or a word value that is produced by UEFI. The display does not provide error codes or suggest components to be replaced.
- **Reset button:** Press this button to reset the controller and run the power-on self-test (POST). You might have to use a pen or the end of a straightened paper clip to press the button. The Reset button is in the lower-right corner of the light path diagnostics panel.

Table 1-1 Light path diagnostics panel LEDs

Follow the suggested actions in the order in which they are listed in the Action column until the problem is solved.

LED	Description	Action
None, but the system error LED is lit.	An error occurred and cannot be isolated. The error is not represented by a path.	Contact Cisco TAC for assistance.
OVER SPEC	The power supplies are using more power than their maximum rating.	Contact Cisco TAC for assistance.
LOG	An error occurred.	Check the IMM system event log and the system-error log for information about the error and then determine the next steps. If needed, contact Cisco TAC.
LINK	Reserved.	
PS	Power supply 1 or 2 has failed.	<ol style="list-style-type: none"> 1. Check the power supply that has a lit amber LED (see Power-supply LEDs, page 1-26). 2. Make sure that the power supplies are seated correctly. 3. Remove one of the power supplies to isolate the failed power supply. 4. Replace the failed power supply.
PCI	An error has occurred on a PCI bus or on the system board. An additional LED is lit next to a failing PCI slot.	Contact Cisco TAC for assistance.
SP	A service processor error has been detected.	<ol style="list-style-type: none"> 1. Shut down the system and remove the power cords from the controller; then, reconnect the controller to power and restart it. 2. If the problem does not go away, contact Cisco TAC for assistance.

Table 1-1 Light path diagnostics panel LEDs (continued)

Follow the suggested actions in the order in which they are listed in the Action column until the problem is solved.

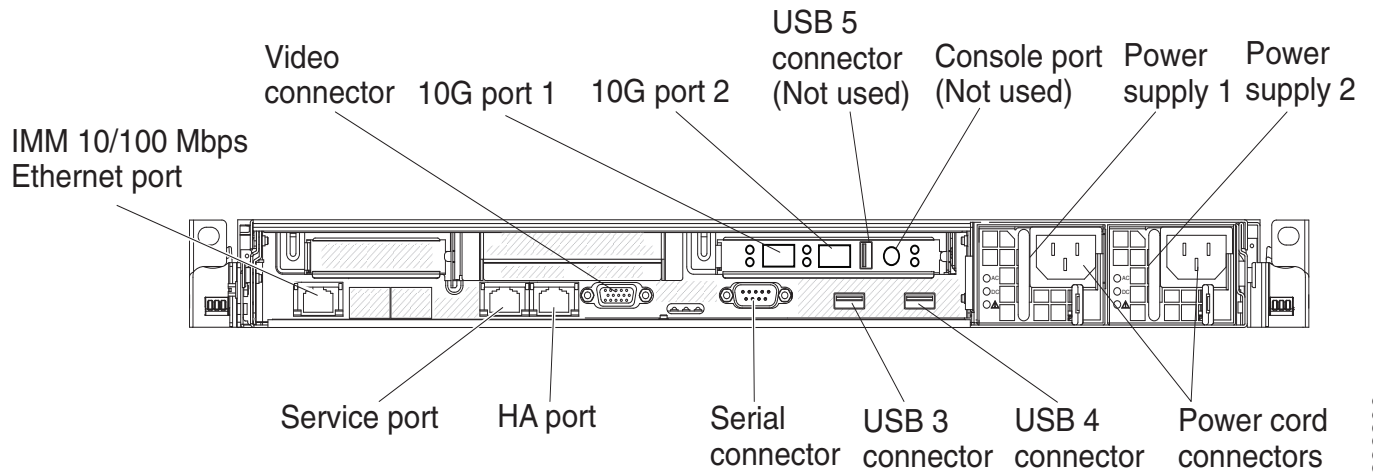
LED	Description	Action
FAN	A fan has failed, is operating too slowly, or has been removed. The TEMP LED might also be lit.	Contact Cisco TAC to replace your Cisco 8510 Wireless Controller and for further assistance.
TEMP	The system temperature has exceeded a threshold level. A failing fan can cause the TEMP LED to be lit.	Contact Cisco TAC for assistance.
MEM	When only the MEM LED is lit, a memory error has occurred. When both the MEM and CNFG LEDs are lit, the memory configuration is invalid or the PCI Option ROM is out of resource.	Contact Cisco TAC for assistance.
NMI	A nonmaskable interrupt has occurred, or the NMI button was pressed.	Check the system-error log for information about the error. Contact Cisco TAC if further assistance is needed.
CNFG	A hardware configuration error has occurred.	Contact Cisco TAC for assistance.
CPU	An invalid microprocessor configuration or a microprocessor has failed (both the CPU LED and the CNFG LED might be lit).	Contact Cisco TAC for assistance.
VRM	Reserved.	
DASD	A hard disk drive has failed or is missing.	<ol style="list-style-type: none"> 1. Check the LEDs on the hard disk drives for the drive with a lit status LED and reseal the hard disk drive. 2. If resealing the drive does not resolve the issue, then the failed hard disk drive must be replaced. Contact Cisco TAC for assistance.
RAID	Reserved.	
BRD	An error has occurred on the system board.	Contact Cisco TAC for assistance.

Rear Panel

Figure 1-6 shows the connectors on the rear panel for the Cisco 8510 Wireless Controller.

Figure 1-7 shows the Cisco 8510 Wireless Controller rear panel LEDs.

Figure 1-6 Cisco 8510 Wireless Controller Rear Panel



Rear Panel Components

- **10G ports:** Use these connectors to connect the controller to a network. The 10G connectors provide interface for 10 Gb SFP+ transceivers. When you use the Service Port connector, the network can be shared with the IMM through a single network cable. See additional notes about the IMM configuration and access for details.
- **Power connector:** Connect the power cord to this connector.



Note

Power supply 1 is the default/primary power supply. If power supply 1 fails, you must replace it immediately.



Note

The DC-powered 8510 controller does not ship with any of the country-specific power cords. For these DC-powered units, use 12G wires (customer-supplied) and connect to the DC power supply.

- **Video connector:** Connect a monitor to this connector. The video connectors on the front and rear of the controller can be used simultaneously.



Note

The maximum video resolution is 1600 x 1200 at 75 Hz.

- **Serial connector:** Connect the serial console cable to this connector.

- **USB connectors:** Connect a USB device, such as a USB mouse or keyboard to any of these connectors. During normal operation, these USB slots are not used by the Cisco 8510 Wireless Controller.
- **Console port:** This console port is not intended for customer use. It is used by Cisco TAC for debugging purposes. Do not discard the console cable that comes with your controller.
- **IMM 10/100 Mbps Ethernet port:** Use this port to manage the controller, using a dedicated management network. If you use this connector, the IMM cannot be accessed directly from production network. A dedicated management network provides additional security by physically separating the management network traffic from the production network. You can use the `immconfig` script provided with the controller to configure it to use a dedicated systems management network or a shared network.

Figure 1-7 shows the LEDs on the rear of the controller.

Figure 1-7 Cisco 8510 Wireless Controller Rear Panel LEDs

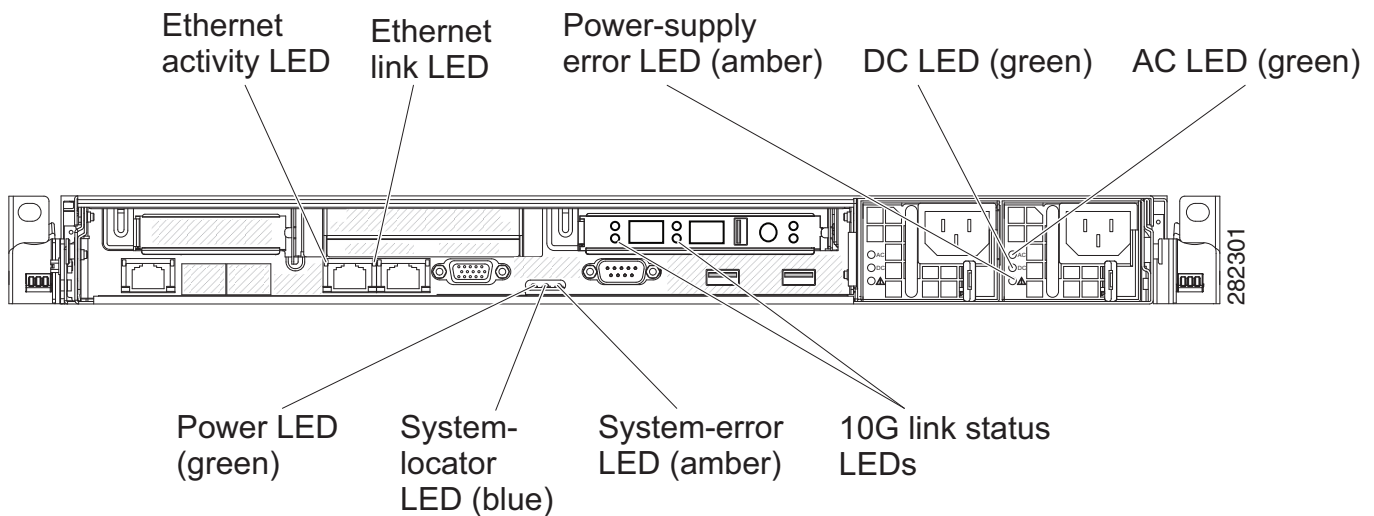
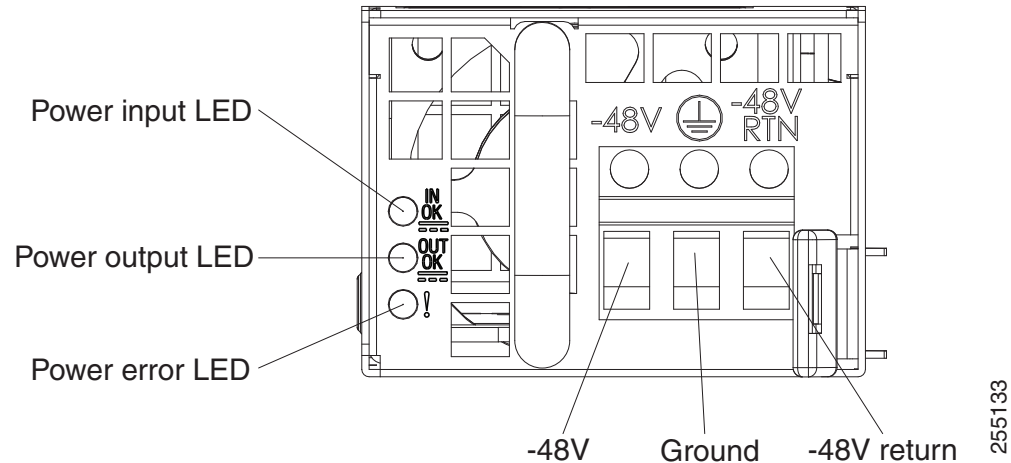


Figure 1-8 shows a detailed view of the LEDs on a DC power supply. This image applies to the AIR-CT85DC-K9 model only.

Figure 1-8 Cisco 8510 Wireless Controller DC Power Supply LEDs (AIR-CT85DC-K9)



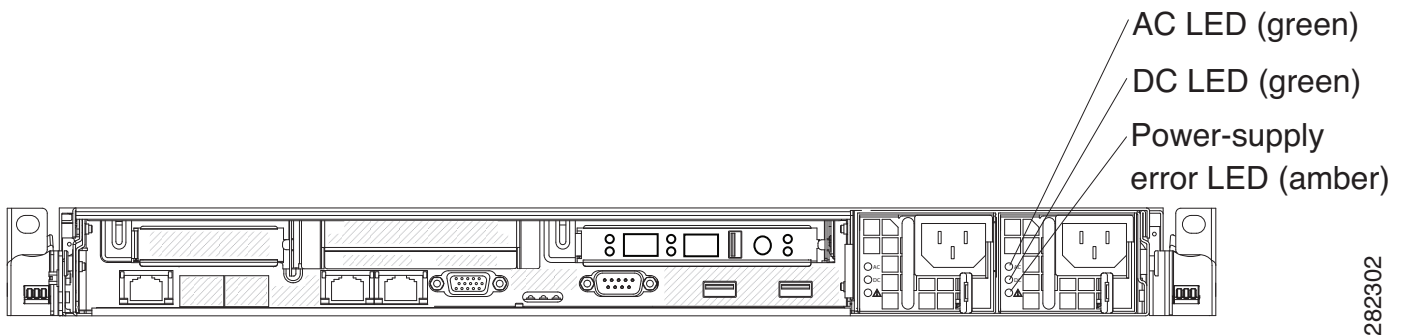
- **Ethernet activity LEDs:** When these LEDs are lit, they indicate that the controller is transmitting to or receiving signals from the Ethernet LAN that is connected to the Ethernet port.
- **Ethernet link LEDs:** When these LEDs are lit, they indicate that there is an active link connection on the 10BASE-T, 100BASE-TX, or 1000BASE-TX interface for the Ethernet port.
- **AC power LED:** Each hot-swap power supply has an AC power LED and a DC power LED. When the AC power LED is lit, it indicates that sufficient power is coming into the power supply through the power cord. During typical operation, both the AC and DC power LEDs are lit.
- **IN OK power LED:** Each hot-swap DC power supply has an IN OK power LED and an OUT OK power LED. When the IN OK power LED is lit, it indicates that sufficient power is coming into the power supply through the power cord. During typical operation, both the IN OK and OUT OK power LEDs are lit.
- **DC power LED:** Each hot-swap power supply has a DC power LED and an AC power LED. When the DC power LED is lit, it indicates that the power supply is supplying adequate DC power to the system. During typical operation, both the AC and DC power LEDs are lit.
- **OUT OK power LED:** Each hot-swap DC power supply has an IN OK power LED and an OUT OK power LED. When the OUT OK power LED is lit, it indicates that the power supply is supplying adequate DC power to the system. During typical operation, both the IN OK and OUT OK power LEDs are lit.
- **10 G link status LEDs:** These LEDs individually indicate the transmit and receive activity of each 10 Gb SFP+ transceiver.
- **System-error LED:** When this LED is lit, it indicates that a system error has occurred. An LED on the light path diagnostics panel is also lit to help isolate the error.
- **Power-on LED:** When this LED is lit and not flashing, it indicates that the controller is turned on. The states of the power-on LED are as follows:
 - **Off:** Power is not present, or the power supply or the LED itself has failed.
 - **Flashing rapidly (4 times per second):** The controller is turned off and is not ready to be turned on. The power-control button is disabled. This will last approximately 20 to 40 seconds.

- **Flashing slowly (once per second):** The controller is turned off and is ready to be turned on. You can press the power-control button to turn on the controller.
- **Lit:** The controller is turned on.
- **Fading on and off:** The controller is in a reduced-power state. To wake the controller, press the power-control button or use the IMM Web interface. See the *Integrated Management Module User's Guide* for information on logging on to the IMM Web interface.
- **System-locator LED:** Use this LED to visually locate the controller among other servers. You can use the *Integrated Management Module User's Guide* to light this LED remotely.

Power-supply LEDs

Figure 1-9 shows the location of the power-supply LEDs on the rear of the Cisco 8510 Wireless Controller. See Table 1-2 and Table 1-3 for additional information about solving power supply problems.

Figure 1-9 Location of the Cisco 8510 Wireless Controller Power Supply LEDs



282302

Table 1-2 describes the problems that are indicated by various combinations of the power-supply LEDs on an AC power supply and suggested actions to correct the detected problems.

Table 1-2 Cisco 8510 Wireless Controller AC Power Supply Troubleshooting

AC power-supply LEDs			Description	Action	Notes
AC	DC	Error (!)			
On	On	Off	Normal operation		
Off	Off	Off	No AC power to the controller or a problem with the AC power source.	<ol style="list-style-type: none"> 1. Check the AP power to the controller. 2. Make sure that the power cord is connected to a functioning power source. 3. Restart the controller. If the error remains, check the power supply LEDs. 4. Replace the power supply. 	This is a normal condition when no AC power is present.

Table 1-2 Cisco 8510 Wireless Controller AC Power Supply Troubleshooting (continued)

AC power-supply LEDs			Description	Action	Notes
AC	DC	Error (!)			
Off	Off	On	No AC power to the controller or a problem with the AC power source and the power supply had detected an internal problem.	<ol style="list-style-type: none"> 1. Make sure that the power cord is connected to a functioning power source. 2. Replace the power supply. 	This happens only when a second power supply is providing power to the controller.
Off	On	Off	Faulty power supply	Replace the power supply.	
Off	On	On	Faulty power supply	Replace the power supply.	
On	Off	Off	Power supply not fully seated, faulty system board, or faulty power supply	<ol style="list-style-type: none"> 1. Reseat the power supply. 2. If this action does not resolve the problem, replace the power supply. If replacing the power supply does not resolve the issue, contact Cisco TAC for assistance. 	Typically indicates a power supply is not fully seated.
On	Off	On	Faulty power supply	Replace the power supply.	
On	On	On	Power supply is faulty but still operational	Replace the power supply.	

Table 1-3 describes the problems that are indicated by various combinations of the power-supply LEDs on a DC power supply and suggested actions to correct the detected problems. This table applies to the AIR-CT85DC-K9 model only.

Table 1-3 Cisco 8510 Wireless Controller DC Power Supply Troubleshooting (AIR-CT85DC-K9)

DC power-supply LEDs			Description	Action	Notes
IN OK	OUT OK	Error (!)			
On	On	Off	Normal operation		
Off	Off	Off	No DC power to the controller or a problem with the DC power source.	<ol style="list-style-type: none"> 1. Check the DC power to the controller. 2. Make sure that the power cord is connected to a functioning power source. 3. Restart the controller. If the error remains, check the power supply LEDs. 4. Replace the power supply. 	This is a normal condition when no DC power is present.

Table 1-3 Cisco 8510 Wireless Controller DC Power Supply Troubleshooting (AIR-CT85DC-K9) (continued)

DC power-supply LEDs			Description	Action	Notes
IN OK	OUT OK	Error (!)			
Off	Off	On	No DC power to the controller or a problem with the DC power source, and the power supply had detected an internal problem.	<ol style="list-style-type: none"> 1. Make sure that the power cord is connected to a functioning power source. 2. Replace the power supply. (see the documentation that comes with the power supply instructions). 	
Off	On	Off	Faulty power supply	Replace the power supply.	
Off	On	On	Faulty power supply	Replace the power supply.	
On	Off	Off	Power supply not fully seated, faulty system board, or faulty power supply	<ol style="list-style-type: none"> 1. (Trained service technician only) Reseat the power supply. 2. If a power channel error LED on the system board is not lit, replace the power supply (see the documentation that comes with the power supply for instructions). 3. If a power channel error LED on the system board is lit, (trained service technician only) replace the system board. 	Typically indicates a power supply is not fully seated.
On	Off	On	Faulty power supply	Replace the power supply.	
On	On	On	Power supply is faulty but still operational	Replace the power supply.	

Cisco 8510 Wireless Controller Power Features

Specific steps to power-on the Cisco 8510 Wireless Controller are provided in [Powering On the Controller, page 1-40](#).

When the controller is connected to an AC power source, or a DC power for source for the AIR-CT85DC-K9, but is not turned on, the operating system does not run, and all core logic except for the service processor (the Integrated Management Module) is shut down; however, the controller can respond to requests to the service processor, such as a remote request to turn on the controller. The power-on LED flashes to indicate that the controller is connected to power but is not turned on.

Turning on the Cisco 8510 Wireless Controller

Approximately 5 seconds after the controller is connected to power, one or more fans might start running to provide cooling while the system is connected to power, and the power-on button LED will blink quickly. Approximately 20 to 40 seconds after the controller is connected to power, the power-control button becomes active (the power-on LED will blink slowly), and one or more fans might start running to provide cooling while the controller is connected to power. You can turn on the controller by pressing the power-control button.

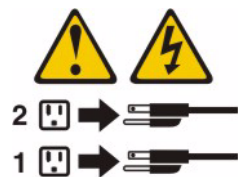
If a power failure occurs while the controller is turned on, the system will restart automatically when power is restored.

Turning off the Cisco 8510 Wireless Controller

When you turn off the controller and leave it connected to power, it can respond to requests to the service processor, such as a remote request to turn on the controller. While the controller remains connected to power, one or more fans might continue to run. To remove all power from the controller, you must disconnect it from the power source.

**Caution**

The power control button on the device and the power switch on the power supply do not turn off the electrical current supplied to the device. The device also might have more than one power cord. To remove all electrical current from the device, ensure that all power cords are disconnected from the power source.



The integrated management module (IMM) can turn off the controller as an automatic response to a critical system failure.

Grounding the Chassis

**Caution**

All power supplies must be grounded. The receptacles of the AC power cables used to provide power to the chassis must be the grounding type, and the grounding conductors should connect to protective earth ground at the service equipment.

Preventing ESD Damage

Electrostatic discharge (ESD) damage occurs when electronic cards or components are improperly handled and can result in complete or intermittent failures.

Always use an ESD-preventive wrist or ankle strap and ensure that it makes good skin contact. Connect the strap to any unpainted surface on the chassis

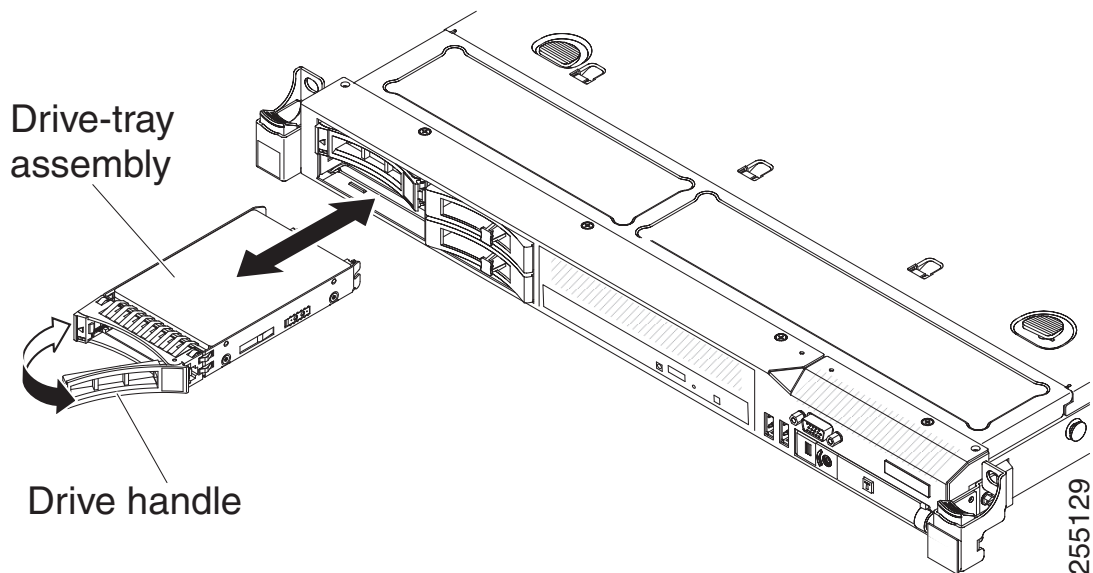
**Caution**

Periodically check the resistance value of the antistatic strap. The measurement should be between 1 and 10 megohms (Mohms).

Replacing a Failed Hot-Swap Hard Disk Drive

To replace a 2.5-inch hot-swap SAS hard disk drive, complete the following steps.

You can order replacement hard disk drives from Cisco. The replacement part PID is AIR-SRVR-300GB-HD=.



-
- Step 1** Read the safety information in [General Warnings, Regulatory and Safety, page 1-3](#).
- Step 2** Touch the static-protective package that contains the drive to any unpainted metal surface on the controller; then, remove the drive from the package and place it on a static-protective surface.
- Step 3** Ensure that the drive you are replacing has failed before pulling it out of the drive slot. Press on the tray handle to unlock the drive. Pull on the tray handle to remove the drive.
- Step 4** Install the hard disk drive in the drive bay:
- a. Make sure that the tray handle is in the open (unlocked) position.
 - b. Align the drive assembly with the guide rails in the bay.
 - c. Gently push the drive assembly into the bay until the drive stops.
 - d. Rotate the tray handle to the closed (locked) position.
 - e. Check the hard disk drive status LED to verify that the hard disk drive is operating correctly. If the amber hard disk drive status LED for a drive is lit continuously, that drive is faulty and must be replaced. If the green hard disk drive activity LED is flashing, the drive is being accessed.
-

Replacing a Hot-Swap AC Power Supply

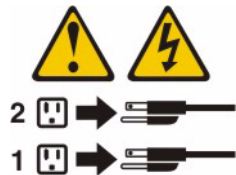
The following section describes the type of AC power supply that the controller supports and other information that you must consider when you replace a failed power supply:

- The Cisco 8510 Wireless Controller comes with two 675-watt hot-swap 12-volt output power supplies that connect to power supply bays 1 and 2. The input voltage is 110 VAC or 220 VAC auto-sensing.
- Power supply 1 is the default/primary power supply. If power supply 1 fails, you must replace the power supply immediately.
- You can order replacement power supplies from Cisco. The replacement part PID is AIR-SRVR-PWR=.
- These power supplies are designed for parallel operation. In the event of a power-supply failure, the redundant power supply continues to power the system.



Caution

The power control button on the device and the power switch on the power supply do not turn off the electrical current supplied to the device. The device also might have more than one power cord. To remove all electrical current from the device, ensure that all power cords are disconnected from the power source.



Caution

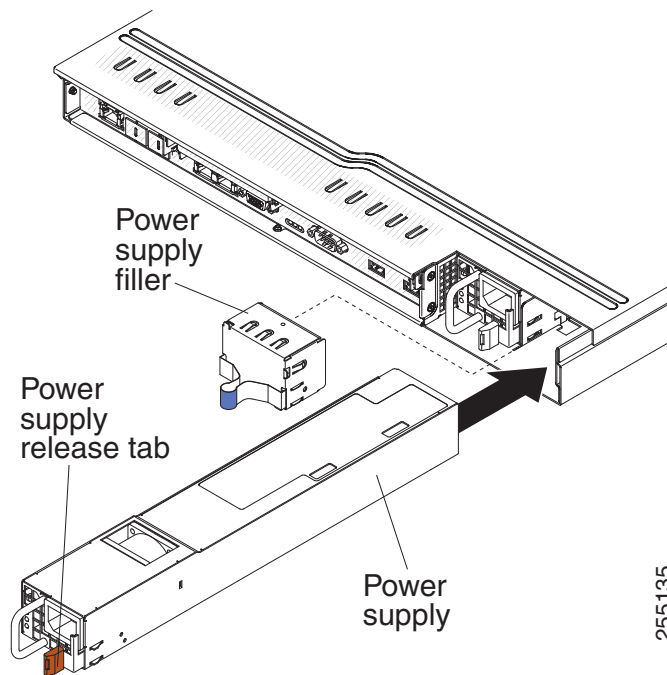
Never remove the cover on a power supply or any part that has the following label attached. Hazardous voltage, current, and energy levels are present inside any component that has this label attached. There are no serviceable parts inside these components. If you suspect a problem with one of these parts, contact a service technician.



To install a hot-swap power supply, complete the following steps.

- Step 1** Read the safety information in [General Warnings, Regulatory and Safety, page 1-3](#).
- Step 2** Touch the static-protective package that contains the hot-swap power supply to any unpainted metal surface on the controller; then, remove the power supply from the package and place it on a static-protective surface.

- Step 3** Remove the failed power supply first. Grasp the handle on the rear of the power supply and slide the power supply out from the chassis.



- Step 4** Grasp the handle on the rear of the power supply and slide the power supply forward into the power-supply bay until it clicks. Make sure that the power supply connects firmly into the power-supply connector.
- Step 5** Route the power cord through the handle so that it does not accidentally become unplugged.
- Step 6** Connect the power cord for the new power supply to the power-cord connector on the power supply.
- Step 7** Connect the other end of the power cord to a properly grounded electrical outlet.
- Step 8** Make sure that the AC power LED and the DC power LED on the AC power supply are lit, indicating that the power supply is operating correctly. The two green LEDs are to the right of the power-cord connector.

Replacing a Hot-Swap -48 VDC Power Supply



Caution

Only trained service personnel are authorized to install and remove the -48 VDC power supply and make the connections to and disconnections from the -48 VDC power source. The customer is responsible for ensuring that only trained service personnel install or remove the -48 volt power cable.

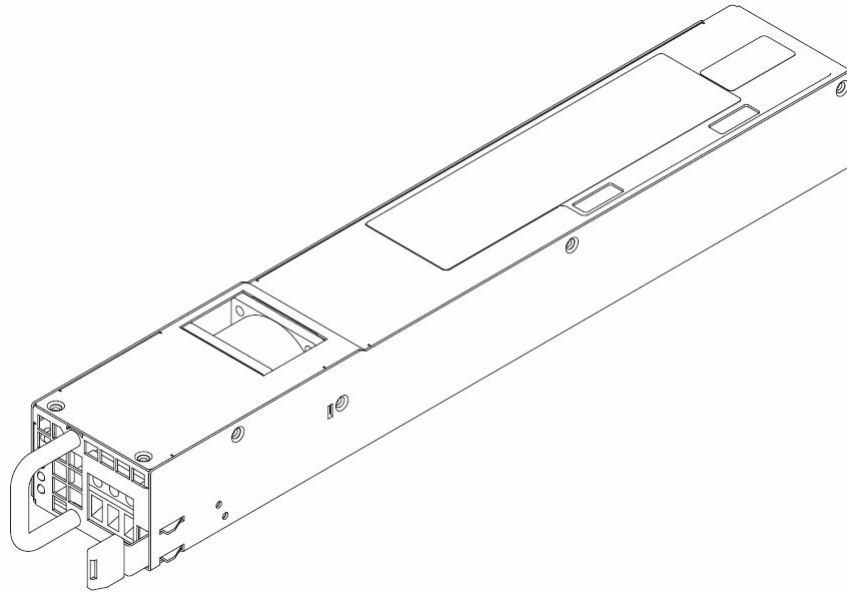


Caution

Do not use both AC and DC power supplies in the same controller. Install two DC power supplies in the AIR-CT85DC-K9 and two AC power supplies in the AIR-CT8510-K9. Never install a combination of an AC and DC power supply in the controller.

Use this procedure for connecting and disconnecting the power cable from the rear of the unit.

Figure 1-10 DC Power Supply



Notes

1. It is the customer's responsibility to supply the necessary power cable.

To reduce the risk of electric shock or energy hazards:

- Use a circuit breaker that is rated at 25 amps.
- Use 2.5 mm² (12 AWG) at 90° C copper wire.
- Torque the wiring-terminal screws to 0.62 newton-meters (5.5 inch-pounds).

For more information, see [Statement 34, page 1-35](#).

2. If the power source requires ring terminals, you must use a crimping tool to install the ring terminals to the power cord wires. The ring terminals must be UL approved and must accommodate the wire that is described in Note 1.

Statement 29



Caution

This equipment is designed to permit the connection of the earthed conductor of the DC supply circuit to the earthing conductor at the equipment.

This equipment is designed to permit the connection of the earthed conductor of the DC supply circuit to the earthing conductor at the equipment. If this connection is made, all of the following conditions must be met:

- This equipment shall be connected directly to the DC supply system earthing electrode conductor or to a bonding jumper from an earthing terminal bar or bus to which the DC supply system earthing electrode conductor is connected.
- This equipment shall be located in the same immediate area (such as, adjacent cabinets) as any other equipment that has a connection between the earthed conductor of the same DC supply circuit and the earthing conductor, and also the point of earthing of the DC system. The DC system shall not be earthed elsewhere.
- The DC supply source shall be located within the same premises as this equipment.
- Switching or disconnecting devices shall not be in the earthed circuit conductor between the DC source and the point of connection of the earthing electrode conductor.

Statement 31**Warning**

Electrical current from power, telephone, and communication cables is hazardous.

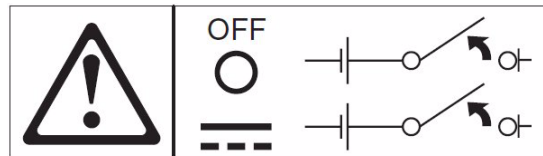
To avoid a shock hazard:

- **Do not connect or disconnect any cables or perform installation, maintenance, or reconfiguration of this product during an electrical storm.**
 - **Connect all power cords to a properly wired and grounded power source.**
 - **Connect to properly wired power sources any equipment that will be attached to this product.**
 - **When possible, use one hand only to connect or disconnect signal cables.**
 - **Never turn on any equipment when there is evidence of fire, water, or structural damage.**
 - **Disconnect the attached AC power cords, DC power sources, network connections, telecommunications systems, and serial cables before you open the device covers, unless you are instructed otherwise in the installation and configuration procedures.**
 - **Connect and disconnect cables as described in the following table when you install, move, or open covers on this product or attached devices.**
-

To Connect	To Disconnect
<ol style="list-style-type: none"> 1. Turn off all power sources and equipment that is to be attached to this product. 2. Attach signal cables to the product. 3. Attach power cords to the product. <ul style="list-style-type: none"> • For AC systems, use appliance inlets. • For DC systems, ensure correct polarity of -48 VDC connections: RTN is + and -48 VDC is -. Earth ground should use a two-hole lug for safety. 4. Attach signal cables to other devices. 5. Connect power cords to their sources. 6. Turn on all the power sources. 	<ol style="list-style-type: none"> 1. Turn OFF all power sources and equipment that is to be attached to this product. <ul style="list-style-type: none"> • For AC systems, remove all power cords from the chassis power receptacles or interrupt power at the AC power distribution unit. • For DC systems, disconnect DC power sources at the breaker panel or by turning off the power source. Then, remove the DC cables. 2. Remove the signal cables from the connectors. 3. Remove all cables from the devices.

Statement 33**Caution**

This product does not provide a power control button. The product also might have more than one power cord. To remove all electrical current from the product, make sure that all power cords are disconnected from the power source.

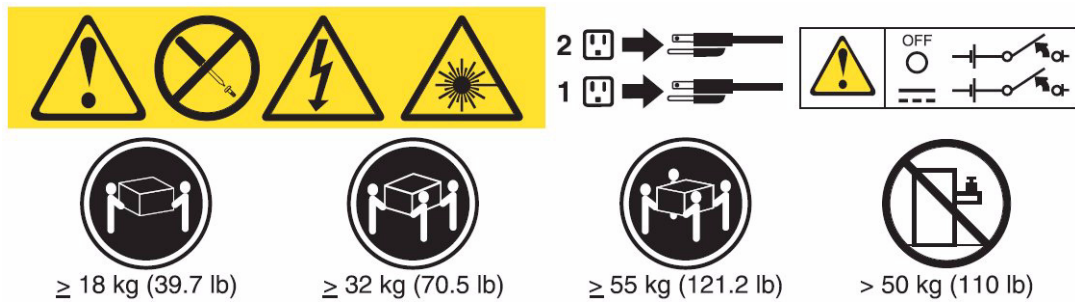
**Statement 34****Caution**

To reduce the risk of electric shock or energy hazards:

- This equipment must be installed by trained service personnel in a restricted-access location, as defined by the NEC and IEC 60950-1, First Edition, The Standard for Safety of Information Technology Equipment.

- Connect the equipment to a properly grounded safety extra low voltage (SELV) source. A SELV source is a secondary circuit that is designed so that normal and single fault conditions do not cause the voltages to exceed a safe level (60 V direct current).
- Incorporate a readily available approved and rated disconnect device in the field wiring.
- See the specifications in the product documentation for the required circuit-breaker rating for branch circuit overcurrent protection.
- Use copper wire conductors only.
- See the specifications in the product documentation for the required torque values for the wiring-terminal screws.

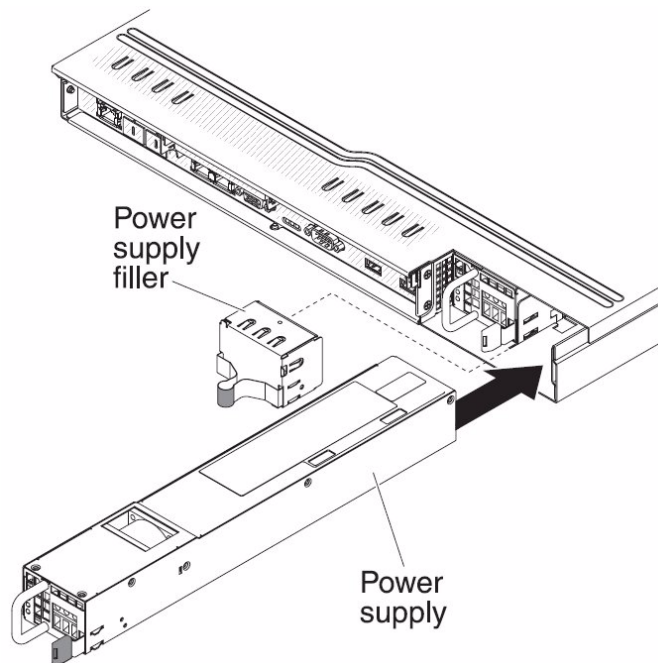
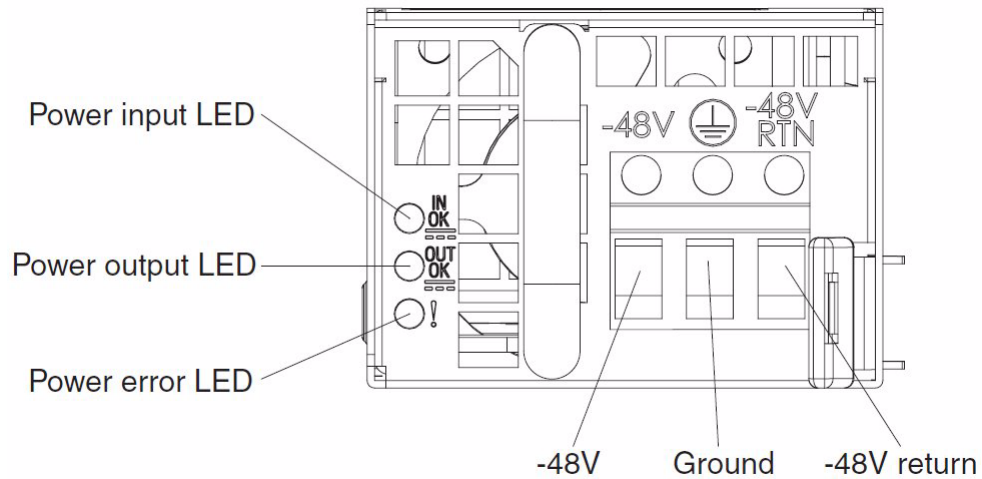
Safety Information



To install the DC power supply, complete the following steps:

-
- Step 1** If the controller is operating, turn off the server and peripheral devices.
- Step 2** Turn off the circuit breaker for the DC power source to which the new power supply will be connected. Disconnect the power cord from the DC power source.
- Step 3** Attach the DC power cable to the new power supply.

Figure 1-11 Close Up of Cisco 8510 Wireless Controller DC Power Supply LEDs

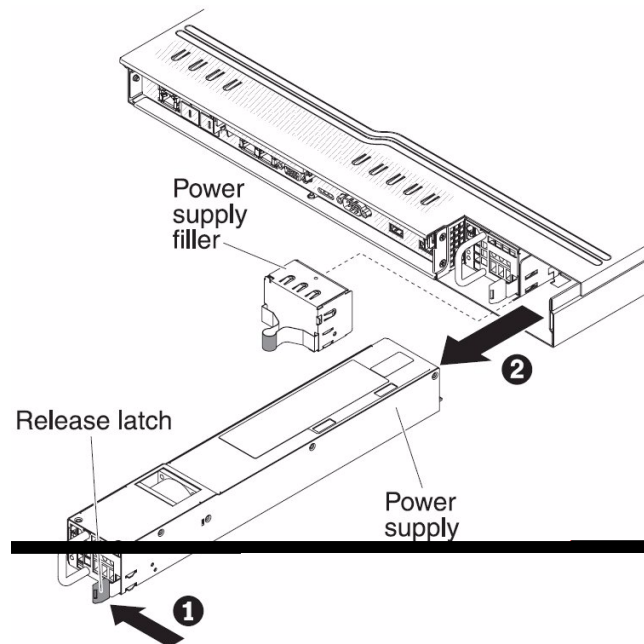


- Step 4** Connect the other ends of the DC power cable to the DC power source. Cut the wires to the correct length, but do not cut them shorter than 150 mm (6 in.). If the power source requires ring terminals, you must use a crimping tool to install the ring terminals to the power cord wires. The ring terminals must be UL approved and must accommodate the wires that are described in Note 1. The minimum nominal thread diameter of a pillar or stud type of terminal must be 4 mm; for a screw type of terminal the diameter must be 5.0 mm.
- Step 5** Turn on the circuit breaker for the DC power source to which the new power supply is connected.
- Step 6** Make sure that the green power LEDs on the power supply are lit, indicating that the power supply is operating correctly.

Removing DC Power Supply from Controller

To remove the DC power supply from the controller, complete the following steps:

-
- Step 1** Turn off the controller and peripheral devices.
 - Step 2** Disconnect the DC power cable from the DC power source (turn off the circuit breaker).
 - Step 3** Remove the DC power cable from the rear of the power supply.
 - Step 4** Grasp the power supply handle.



- Step 5** Press and hold the orange release latch to the left.
 - Step 6** Pull the power supply part of the way out of the bay.
 - Step 7** Release the release latch; then, support the power supply and pull it the rest of the way out of the bay.
-

Connecting the Cables

Figure 1-12 shows the locations of the input and output connectors on the front of the controller.

Figure 1-12 Front of Cisco 8510 Wireless Controller

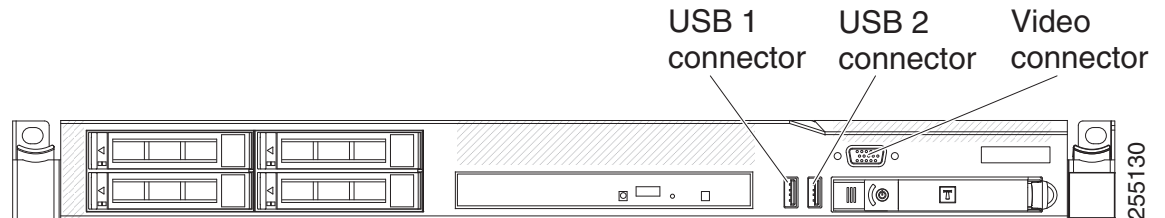
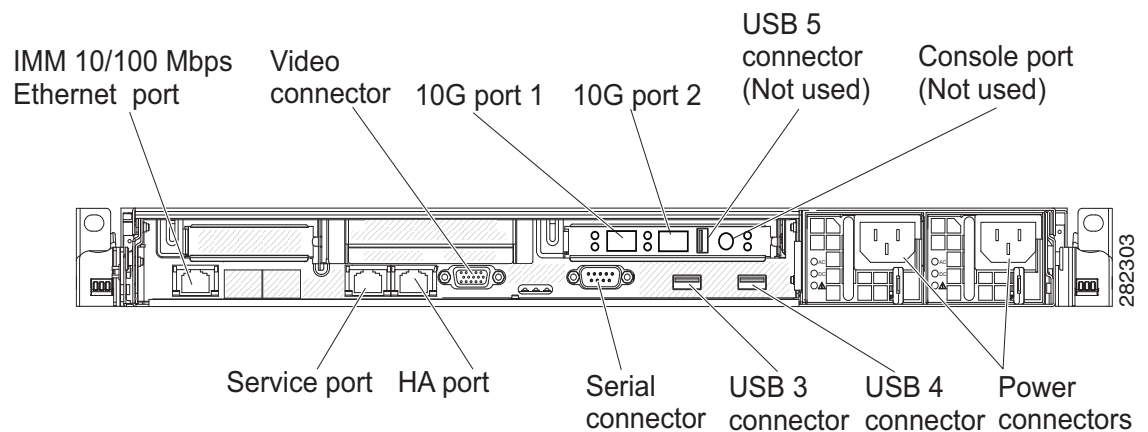


Figure 1-13 shows the locations of the input and output connectors on the rear of the controller.

Figure 1-13 Rear of Cisco 8510 Wireless Controller



Connecting and Using the CLI Console

For initial system configuration, use the command-line interface (CLI) console. The CLI console connects to the controller back-panel DB9 console port. Figure 1-6 on page 1-23 shows the console port on the back panel of the controller. Back panel components are described in [Rear Panel Components](#), page 1-23.

Use these terminal emulator settings for the CLI console session:

- 9600 baud
- 8 data bits
- no flow control
- 1 stop bit
- no parity

Powering On the Controller

Connecting the AC Version of the 8510 [AIR-CT8510-K9] to a Power Source

When you apply AC power to a controller, the bootup script initializes the operating system and its stored configurations. You are prompted to enter a user ID and password and enter key configuration details.

Follow these steps to power up the controller.

-
- Step 1** Plug an AC power cord into the back of the two power supplies ([Figure 1-6 on page 1-23](#)). If only one power supply is connected to a power source, the system will still function correctly but the monitoring components of the controller will detect the absence of the second power supply and will raise an alarm. Connect the other end of the power cord to a properly grounded 100 to 240 VAC 50/60 Hz electrical outlet.

The end of the power cord that plugs into the controller conforms with the IEC 320 standard.

- Step 2** Use the front-panel Power On/Standby button, located in the operator information panel, to turn the controller on ([Figure 1-3 on page 1-18](#)).
- Step 3** At the login prompt, enter the controller operating user ID and password. The default user ID is *root* and the default password is *password*.

The user ID and password are case sensitive.

You are now logged into the controller operating system.

Continue to the [“Running the Bootup Script and Power-On Self Test” section on page 1-40](#).

Connecting the DC Version of the 8510 [AIR-CT85DC-K9] to a Power Source

1. It is the customer's responsibility to supply the necessary power cable to connect the DC power supplies to a DC power source.
To reduce the risk of electric shock or energy hazards:
 - Use a circuit breaker that is rated at 25 amps.
 - Use 2.5 mm² (12 AWG) at 90° C copper wire.
 - Torque the wiring-terminal screws to 0.62 newton-meters (5.5 inch-pounds).
2. If the power source requires ring terminals, you must use a crimping tool to install the ring terminals to the power cord wires

Running the Bootup Script and Power-On Self Test

When you plug the controller into an AC power source, the bootup script initializes the system, verifies the hardware configuration, loads its microcode into memory, verifies its operating system software load, and initializes itself with its stored configurations. Before performing this test, you should connect your terminal emulator application to the controller's CLI console as described in the [“Connecting and Using the CLI Console” section on page 1-39](#). Follow these steps to run the bootup script and conduct the power-on self test (POST).

- Step 1** Plug an AC power cord into the back of the controller and connect the other end to a grounded 100 to 240 VAC, 50/60 Hz electrical outlet. Be sure to connect both power supplies to a power source.
- Step 2** Turn on the power supply.
- Step 3** Observe the bootup on the CLI screen.

The bootup script displays operating system software initialization (code download and POST verification) and basic configuration as shown in the following sample bootup display:

```
LSI MegaRAID SAS-MFI BIOS                      Version 4.19.00 (Build October 19, 2010)
Copyright (c) 2010 LSI Corporation
HA -0 (Bus 1 Dev 0) ServeRAID M1015 SAS/SATA Controller
0JBOD(s) found on the host adapter              0JBOD(s) handled by BIOS
1 Virtual Drive(s) found on the host adapter.
1 Virtual Drive(s) handled by BIOS
Cisco Bootloader (Version 7.0.110.30)

      .o88b. d8888888b .d8888. .o88b. .d88b.
d8P  Y8  `88'  88'  YP d8P  Y8  .8P  Y8.
8P      88  `8bo. 8P      88  88
8b      88  `Y8b. 8b      88  88
Y8b d8  .88.  db  8D Y8b d8 `8b d8'
`Y88P' Y888888P `8888Y' `Y88P' `Y88P'

Booting Primary Image...
Press <ESC> now to access the Boot Menu...
```

- Step 4** If desired, press **Esc** to display the Bootloader Boot Options menu.

```
Boot Options
```

Please choose an option from below:

1. Run primary image
2. Run backup image
3. Manually update images
4. Change active boot image
5. Clear Configuration

Please enter your choice:



Note Enter **1** to run the current software, enter **2** to run the previous software, or enter **4** to run the current software and set the controller configuration to factory defaults. Do not choose the other options unless directed to do so.

- Step 5** The rest of the process takes two to three minutes. Do not reboot the controller until the user login prompt appears.

```
Booting 'Primary image'

Detecting Hardware . . .3
INIT: version 2.86 booting
Starting the hotplug events dispatcher: udevd.
Synthesizing the initial hotplug events...done.
Waiting for /dev to be fully populated...done.
Activating swap...done.
Remounting root filesystem...done.
Mounting local filesystems: mount none on /var/run type tmpfs (rw)
none on /tmp type tmpfs (rw)
```

```

Setting up networking ....
Starting hotplug subsystem:
  pci
  pci      [success]
  usb
  usb      [success]
  isapnp
  isapnp   [success]
  ide
  ide      [success]
  input
  input    [success]
  scsi
  scsi     [success]
done.
Starting portmap daemon....
Octeon Found...
Detecting Hardware ...
Booting Octeon...
Using user supplied board name: nic_xle_10g
All cores in reset, skipping soft reset.
Using bootloader image: /octeon/u-boot-octeon_nic_xle_10g_pciboot.bin
Initialized 2048 MBytes of DRAM
INIT: Entering runlevel: 3

Cryptographic library self-test....passed!
XML config selected
Validating XML configuration
octeon_device_init: found 1 DPs
Cisco is a trademark of Cisco Systems, Inc.
Software Copyright Cisco Systems, Inc. All rights reserved.

Cisco AireOS Version 7.0.114.110

. . .

Starting Management Services:
  Web Server: ok
  CLI: ok
  Secure Web: ok
  License Agent: ok

(Cisco Controller)

Enter User Name (or 'Recover-Config' this one-time only to reset configuration to factory
defaults)

User: admin
Password: *****
(Cisco Controller)

```

- Step 6** If the controller passes the power-on self test, the bootup script runs the Startup Wizard, which prompts you for basic configuration input.

Using the Startup Wizard

Before you can use the startup wizard, you must obtain the information discussed in the [“Required Tools and Information”](#) section on page 1-4.



Note The available options appear in brackets after each configuration parameter. The default value appears in all uppercase letters.



Note Press the hyphen key if you need to return to the previous command line.

To configure the controller for basic operation using the Startup Wizard, follow these steps:

Step 1 When prompted to terminate the AutoInstall process, enter **yes**. If you do not enter **yes**, the AutoInstall process begins after 30 seconds.

```
Welcome to the Cisco Wizard Configuration Tool
Use the '-' character to backup

Would you like to terminate autoinstall? [yes]:
AUTO-INSTALL: starting now...
rc = 0
```



Note The AutoInstall feature downloads a configuration file from a TFTP server and then loads the configuration onto the controller automatically.

Step 2 Enter the system name, which is the name you want to assign to the controller. You can enter up to 31 ASCII characters.

```
System Name [Cisco_d9:3d:66] (31 characters max):
AUTO-INSTALL: no interfaces registered.

AUTO-INSTALL: process terminated -- no configuration loaded
```

Step 3 Enter the administrative username and password to be assigned to this controller. You can enter up to 24 ASCII characters for each.

```
Enter Administrative User Name (24 characters max): admin
Enter Administrative Password (3 to 24 characters): *****
Re-enter Administrative Password                : *****
```

Step 4 If you want the controller's service-port interface to obtain an IP address from a DHCP server or not planning to use the Service Port, enter **DHCP**. If you want to assign a static IP address to the service-port interface, enter **static**.

```
Service Interface IP Address Configuration [static][DHCP]: static
```



Note The *service-port interface* controls communications through the service port. Its IP address must be on a different subnet from the management interface. This configuration enables you to manage the controller directly or through a dedicated management network to ensure service access during network downtime.

Step 5 If you entered **static** in [Step 4](#), enter the IP address and netmask for the service-port interface on the next two lines.

```
Service Interface IP Address: 172.19.30.18
Service Interface Netmask: 255.255.254.0
```

- Step 6** Enter the IP address, netmask, default router IP address, optional VLAN identifier (a valid VLAN identifier or 0 for an untagged VLAN), and the port number for the management interface.



Note The VLAN identifier should be set to match the switch interface configuration.

```
Management Interface IP Address: 192.168.1.10
Management Interface Netmask: 255.255.0.0
Management Interface Default Router: 192.168.1.1
Management Interface VLAN Identifier (0 = untagged): 192
Management Interface Port Num [1 to 2]: 1
```

- Step 7** Enter the IP address of the default DHCP server that will supply IP addresses to clients, the controller's management interface.

```
Management Interface DHCP Server IP Address: 192.168.1.1
```



Note The *management interface* is the default interface for in-band management of the controller and connectivity to enterprise such as AAA servers.

- Step 8** Enter the IP address of the controller's virtual interface, which will be used by all controller Layer 3 security and mobility managers. You should enter a fictitious, unassigned IP address, such as 192.0.2.1.

```
Virtual Gateway IP Address: 192.0.2.1
```



Note The *virtual interface* is used to support mobility management, DHCP relay, and embedded Layer 3 security such as guest web authentication and VPN termination. All controllers within a mobility group must be configured with the same virtual interface IP address.

- Step 9** If desired, enter the name of the mobility group/RF group to which you want the controller to belong.

```
Mobility/RF Group Name: amb
```



Note Although the name that you enter here is assigned to both the mobility group and the RF group, these groups are not identical. Both groups define clusters of controllers, but they have different purposes. All of the controllers in an RF group are usually also in the same mobility group and vice versa. However, a *mobility group* facilitates scalable, system-wide mobility and controller redundancy while an *RF group* facilitates scalable, system-wide dynamic RF management.

- Step 10** Enter the network name, or *service set identifier (SSID)*. The initial SSID enables basic functionality of the controller and allows access points that have joined the controller to enable their radios.

```
Network Name (SSID): amb
```

- Step 11** Enter **yes** to enable DHCP proxy or **no** to disable DHCP proxy.

```
Configure DHCP Bridging Mode [yes][NO]:yes
```

- Step 12** Enter **yes** to allow clients to assign their own IP address or **no** to make clients request an IP address from a DHCP server.

```
Allow Static IP Addresses [YES][no]:
```

- Step 13** To configure a RADIUS server now, enter **yes** and then enter the IP address, communication port, and secret key of the RADIUS server. Otherwise, enter **no**.

```
Configure a RADIUS Server now? [YES][no]: no
Warning! The default WLAN security policy requires a RADIUS server.
Please see documentation for more details.
```

Step 14 Enter the code for the country in which the controller will be used.

```
Enter Country Code list (enter 'help' for a list of countries) [US]:
```



Note Enter **help** to view the list of available country codes.

Step 15 Enter **yes** to enable or **no** to disable each of the 802.11b, 802.11a, and 802.11g lightweight access point networks.

```
Enable 802.11b Network [YES][no]:
Enable 802.11a Network [YES][no]:
Enable 802.11g Network [YES][no]:
```



Note 802.11n is always enabled.

Step 16 Enter **yes** to enable or **no** to disable the controller's radio resource management (RRM) auto RF feature.

```
Enable Auto-RF [YES][no]:
```



Note The *auto RF* feature enables the controller to automatically form an RF group with other controllers. The group dynamically elects a leader to optimize RRM parameter settings, such as channel and transmit power assignment, for the group.

Step 17 If you want the controller to receive its time setting from an external Network Time Protocol (NTP) server when it powers up, enter **yes** to configure an NTP server. Otherwise, enter **no**.

```
Configure a NTP server now? [YES][no]: no
```

Step 18 If you entered **no** in the previous step and want to manually configure the system time on your controller now, enter **yes**. If you do not want to configure the system time now, enter **no**.

```
Configure the system time now? [YES][no]:
```

Step 19 If you entered **yes** in the previous step, enter the current date in MM/DD/YY format and the current time in HH:MM:SS format.

```
Enter the date in MM/DD/YY format: 03/28/11
Enter the time in HH:MM:SS format: 14:36:30
```

Step 20 When prompted to verify that the configuration is correct, enter **yes** or **no**.

```
Configuration correct? If yes, system will save it and reset. [yes][NO]: yes
```

The controller saves your configuration, reboots, and prompts you to log in.

```
Configuration saved!
Resetting system with new configuration...

Configuration saved!
Resetting system with new configuration...
SoftDog: Unexpected close, not stopping watchdog!
INIT: Switching to runlevel: 6
INIT: Sending processes the TERM signal
Stopping portmap daemon....
```

Sending all processes the TERM signal... done.

**Note**

The Cisco 8510 Wireless Controller can be configured as mobility controller. Mobility Oracle is not supported on the controller.

Logging into the Controller

Follow these steps to log into the controller.

Step 1 Enter a valid username and password to log into the controller CLI.

**Note**

The administrative username and password you created in the Startup Wizard are case sensitive.

Step 2 The CLI displays the root level system prompt:

```
 #(system prompt) >
```

The system prompt can be any alphanumeric string up to 31 characters. You can change it by entering the **config prompt** command.

**Note**

The CLI automatically logs you out without saving any changes after 5 minutes of inactivity. You can set the automatic logout from 0 (never log out) to 160 minutes using the **config serial timeout** command.

**Note**

Cisco Aironet lightweight access points do not connect to the Cisco 8510 Wireless Controller if the date and time are not set properly. Set the current date and time on the controller before allowing the access points to connect to it.

Verifying Interface Settings and Port Operation

Follow these steps to verify that your interface configurations have been set properly and the controller's ports are operational.

Step 1 Enter **show interface summary**. The controller's current interface configurations appear:

Interface Name	Port	Vlan Id	IP Address	Type	Ap Mgr	Guest
management	1	192	192.168.1.10	Static	Yes	No
service-port	N/A	N/A	172.19.30.18	Static	No	No
virtual	N/A	N/A	192.0.2.1	Static	No	No

Step 2 Enter **show port summary**. The following information appears, showing the status of the controller's distribution system ports, which serve as the data path between the controller and Cisco lightweight access points and to which the controller's management interface is mapped.

Pr	Type	STP Stat	Admin Mode	Physical Mode	Physical Status	Link Status	Link Trap	POE
1	Normal	Forw	Enable	Auto	10000 Full	Up	Enable	N/A
2	Normal	Forw	Enable	Auto	10000 Full	Up	Enable	N/A

A link status of *Up* indicates that the controller's ports are fully operational.

Connecting the Network (Distribution System)

The SFP+ module supported by the Cisco 8510 Wireless Controller is the Cisco SFP-10G-SR.

Cisco SFP-10G-SR: The Cisco 10GBASE-SR Module supports a link length of 26m on standard Fiber Distributed Data Interface (FDDI)-grade multimode fiber (MMF). Using 2000 MHz*km MMF(OM3), up to 300m link lengths are possible.

Depending on the distribution system physical port to be assigned, use only standard compliant fiber-optic cables to connect the network equipment to the controller



Note

Only connections with patch cords with PC or UPC connectors are supported. Patch cords with APC connectors are not supported. All cables and cable assemblies used must be compliant with the standards specified in the standards section.

Connecting the Controller's Service Port (Optional)

The service port is controlled by the service-port interface and is reserved for out-of-band management of the controller and system recovery and maintenance in the event of a network failure. The service-port interface enables the controller to be managed on an interface different from the one used for your network traffic. Use of the service port is optional.

You can perform out-of-band controller management from a PC running a terminal emulation program or a PC running Cisco WCS, a network management tool that enables you to configure and monitor a network of controllers, or the controller GUI. However, you must first connect the PC to the controller's service port in one of two ways:

- Use an Ethernet cross-over cable to connect the PC directly to the controller's service port.
- For a remote connection (using Telnet or SSH) through a dedicated management network, use a Category 5, Category 5e, Category 6, or Category 7 Ethernet cable to connect the management network to the controller's service port and the appropriate cable to connect the PC to the management network.

Connecting Access Points

After you have configured the controller, use Category-5, Category-5e, Category-6, or Category-7 Ethernet cables to connect Cisco lightweight access points to the network.

As soon as the controller is operational, it starts to scan for access points. When it detects an access point, it records the access-point MAC address in its database. The controller radio resource management (RRM) feature then automatically configures the access point to start sending and allowing clients to associate.

You have prepared the controller for basic operation. Refer to the *Cisco Wireless LAN Controller Configuration Guide* for information on configuring the controller to meet the specific needs of your wireless network.

Controller Specifications

Chassis Dimensions	Width = 17.3 in (44.0 cm) Depth = 21.20 in (53.9 cm) Height = 1.75 in (4.45 cm)
Weight	20 lbs (9.1 kg) with two power supplies installed
Temperature range	Operating: 50 to 95°F (10 to 35°C) Storage: -40 to 140°F (-40 to 60°C)
Humidity	Operating humidity: 20 - 80%, non-condensing Storage humidity: up to 95%

Obtaining Documentation and Submitting a Service Request

For information on obtaining documentation, submitting a service request, and gathering additional information, see the monthly *What's New in Cisco Product Documentation*, which also lists all new and revised Cisco technical documentation:

<http://www.cisco.com/en/US/docs/general/whatsnew/whatsnew.html>

Subscribe to the *What's New in Cisco Product Documentation* as an RSS feed and set content to be delivered directly to your desktop using a reader application. The RSS feeds are a free service. Cisco currently supports RSS Version 2.0.

Cisco 90-Day Limited Hardware Warranty Terms

There are special terms applicable to your hardware warranty and various that you can use during the warranty period. Your formal Warranty Statement, including the warranties and license agreements applicable to Cisco software, is available on Cisco.com. Follow these steps to access and download the *Cisco Information Packet* and your warranty and license agreements from Cisco.com.

1. Launch your browser, and go to this URL:

http://www.cisco.com/en/US/products/prod_warranties_listing.html

The Warranties and License Agreements page appears.

2. To read the *Cisco Information Packet*, follow these steps:

- a. Click the **Information Packet Number** field, and make sure that the part number 78-5235-03B0 is highlighted.
- b. Select the language in which you would like to read the document.
- c. Click **Go**.

The Cisco Limited Warranty and Software License page from the Information Packet appears.

- d. Read the document online, or click the **PDF** icon to download and print the document in Adobe Portable Document Format (PDF).



Note You must have Adobe Acrobat Reader to view and print PDF files. You can download the reader from Adobe's website: <http://www.adobe.com>

3. To read translated and localized warranty information about your product, follow these steps:
 - a. Enter this part number in the Warranty Document Number field:
78-5236-01C0
 - b. Select the language in which you would like to read the document.
 - c. Click **Go**.
The Cisco warranty page appears.
 - d. Review the document online, or click the **PDF** icon to download and print the document in Adobe Portable Document Format (PDF).

Click this link to browse to the Cisco Support and Documentation page:

<http://www.cisco.com/c/en/us/support/index.html>

Duration of Hardware Warranty

Ninety (90) days.

Replacement, Repair, or Refund Policy for Hardware

Cisco or its service center will use commercially reasonable efforts to ship a replacement part within ten (10) working days after receipt of a Return Materials Authorization (RMA) request. Actual delivery times can vary, depending on the customer location.

Cisco reserves the right to refund the purchase price as its exclusive warranty remedy.

To Receive a Return Materials Authorization (RMA) Number

Contact the company from whom you purchased the product. If you purchased the product directly from Cisco, contact your Cisco Sales and Service Representative.

Complete the information below, and keep it for reference:

Company product purchased from	
Company telephone number	
Product model number	
Product serial number	
Maintenance contract number	



Safety Considerations and Translated Safety Warnings

This appendix lists safety notices for the Cisco 8510 Wireless Controller.

The following safety considerations and safety warnings appear in this appendix:

- [Safety Considerations, page A-2](#)
- [Warning Definition, page A-2](#)
- [More Than One Power Supply, page A-5](#)
- [Installation Instructions, page A-7](#)
- [Ground Conductor Warning, page A-9](#)
- [Chassis Warning for Rack-Mounting and Servicing, page A-11](#)
- [Equipment Installation Warning, page A-20](#)
- [Battery Handling, page A-23](#)
- [Product Disposal, page A-25](#)
- [Power Cable and AC Adapter, page A-27](#)
- [Class 1 Laser Product, page A-28](#)
- [Statement 1051—Laser Radiation, page A-29](#)

Safety Considerations

Keep these guidelines in mind when installing mobility services engine:

- Verify that the ambient temperature remains between 0 and 40° C (32 and 104° F), taking into account the elevated temperatures that occur when they are installed in a rack.
- When multiple mobility services engines are mounted in an equipment rack, be sure that the power source is sufficiently rated to safely run all of the equipment in the rack.
- Verify the integrity of the ground before installing mobility services engines in an equipment rack.

Warning Definition



Warning

IMPORTANT SAFETY INSTRUCTIONS

This warning symbol means danger. You are in a situation that could cause bodily injury. Before you work on any equipment, be aware of the hazards involved with electrical circuitry and be familiar with standard practices for preventing accidents. Use the statement number provided at the end of each warning to locate its translation in the translated safety warnings that accompanied this device. Statement 1071

SAVE THESE INSTRUCTIONS

Waarschuwing

BELANGRIJKE VEILIGHEIDSINSTRUCTIES

Dit waarschuwingssymbool betekent gevaar. U verkeert in een situatie die lichamelijk letsel kan veroorzaken. Voordat u aan enige apparatuur gaat werken, dient u zich bewust te zijn van de bij elektrische schakelingen betrokken risico's en dient u op de hoogte te zijn van de standaard praktijken om ongelukken te voorkomen. Gebruik het nummer van de verklaring onderaan de waarschuwing als u een vertaling van de waarschuwing die bij het apparaat wordt geleverd, wilt raadplegen.

BEWAAR DEZE INSTRUCTIES

Varoitus

TÄRKEITÄ TURVALLISUUSOHJEITA

Tämä varoitusmerkki merkitsee vaaraa. Tilanne voi aiheuttaa ruumiillisia vammoja. Ennen kuin käsittelet laitteistoa, huomioi sähköpiirien käsittelemiseen liittyvät riskit ja tutustu onnettomuuksien yleisiin ehkäisytapoihin. Turvallisuusvaroitusten käännökset löytyvät laitteen mukana toimitettujen käännettyjen turvallisuusvaroitusten joukosta varoitusten lopussa näkyvien lausuntonumeroiden avulla.

SÄILYTÄ NÄMÄ OHJEET

Attention IMPORTANTES INFORMATIONS DE SÉCURITÉ

Ce symbole d'avertissement indique un danger. Vous vous trouvez dans une situation pouvant entraîner des blessures ou des dommages corporels. Avant de travailler sur un équipement, soyez conscient des dangers liés aux circuits électriques et familiarisez-vous avec les procédures couramment utilisées pour éviter les accidents. Pour prendre connaissance des traductions des avertissements figurant dans les consignes de sécurité traduites qui accompagnent cet appareil, référez-vous au numéro de l'instruction situé à la fin de chaque avertissement.

CONSERVEZ CES INFORMATIONS**Warnung WICHTIGE SICHERHEITSHINWEISE**

Dieses Warnsymbol bedeutet Gefahr. Sie befinden sich in einer Situation, die zu Verletzungen führen kann. Machen Sie sich vor der Arbeit mit Geräten mit den Gefahren elektrischer Schaltungen und den üblichen Verfahren zur Vorbeugung vor Unfällen vertraut. Suchen Sie mit der am Ende jeder Warnung angegebenen Anweisungsnummer nach der jeweiligen Übersetzung in den übersetzten Sicherheitshinweisen, die zusammen mit diesem Gerät ausgeliefert wurden.

BEWAHREN SIE DIESE HINWEISE GUT AUF.**Avvertenza IMPORTANTI ISTRUZIONI SULLA SICUREZZA**

Questo simbolo di avvertenza indica un pericolo. La situazione potrebbe causare infortuni alle persone. Prima di intervenire su qualsiasi apparecchiatura, occorre essere al corrente dei pericoli relativi ai circuiti elettrici e conoscere le procedure standard per la prevenzione di incidenti. Utilizzare il numero di istruzione presente alla fine di ciascuna avvertenza per individuare le traduzioni delle avvertenze riportate in questo documento.

CONSERVARE QUESTE ISTRUZIONI**Advarsel VIKTIGE SIKKERHETSINSTRUKSJONER**

Dette advarselssymbolet betyr fare. Du er i en situasjon som kan føre til skade på person. Før du begynner å arbeide med noe av utstyret, må du være oppmerksom på farene forbundet med elektriske kretser, og kjenne til standardprosedyrer for å forhindre ulykker. Bruk nummeret i slutten av hver advarsel for å finne oversettelsen i de oversatte sikkerhetsadvarslene som fulgte med denne enheten.

TA VARE PÅ DISSE INSTRUKSJONENE**Aviso INSTRUÇÕES IMPORTANTES DE SEGURANÇA**

Este símbolo de aviso significa perigo. Você está em uma situação que poderá ser causadora de lesões corporais. Antes de iniciar a utilização de qualquer equipamento, tenha conhecimento dos perigos envolvidos no manuseio de circuitos elétricos e familiarize-se com as práticas habituais de prevenção de acidentes. Utilize o número da instrução fornecido ao final de cada aviso para localizar sua tradução nos avisos de segurança traduzidos que acompanham este dispositivo.

GUARDE ESTAS INSTRUÇÕES

Warning Definition

¡Advertencia! INSTRUCCIONES IMPORTANTES DE SEGURIDAD

Este símbolo de aviso indica peligro. Existe riesgo para su integridad física. Antes de manipular cualquier equipo, considere los riesgos de la corriente eléctrica y familiarícese con los procedimientos estándar de prevención de accidentes. Al final de cada advertencia encontrará el número que le ayudará a encontrar el texto traducido en el apartado de traducciones que acompaña a este dispositivo.

GUARDE ESTAS INSTRUCCIONES**Varning! VIKTIGA SÄKERHETSANVISNINGAR**

Denna varningssignal signalerar fara. Du befinner dig i en situation som kan leda till personskada. Innan du utför arbete på någon utrustning måste du vara medveten om farorna med elkretsar och känna till vanliga förfaranden för att förebygga olyckor. Använd det nummer som finns i slutet av varje varning för att hitta dess översättning i de översatta säkerhetsvarningar som medföljer denna anordning.

SPARA DESSA ANVISNINGAR**Figyelem FONTOS BIZTONSÁGI ELOÍRÁSOK**

Ez a figyelmeztető jel veszélyre utal. Sérülésveszélyt rejtő helyzetben van. Mielőtt bármely berendezésen munkát végezte, legyen figyelemmel az elektromos áramkörök okozta kockázatokra, és ismerkedjen meg a szokásos balesetvédelmi eljárásokkal. A kiadványban szereplő figyelmeztetések fordítása a készülékhez mellékelt biztonsági figyelmeztetések között található; a fordítás az egyes figyelmeztetések végén látható szám alapján kereshető meg.

ORIZZE MEG EZEKET AZ UTASÍTÁSOKAT!**Предупреждение ВАЖНЫЕ ИНСТРУКЦИИ ПО СОБЛЮДЕНИЮ ТЕХНИКИ БЕЗОПАСНОСТИ**

Этот символ предупреждения обозначает опасность. То есть имеет место ситуация, в которой следует опасаться телесных повреждений. Перед эксплуатацией оборудования выясните, каким опасностям может подвергаться пользователь при использовании электрических цепей, и ознакомьтесь с правилами техники безопасности для предотвращения возможных несчастных случаев. Воспользуйтесь номером заявления, приведенным в конце каждого предупреждения, чтобы найти его переведенный вариант в переводе предупреждений по безопасности, прилагаемом к данному устройству.

СОХРАНИТЕ ЭТИ ИНСТРУКЦИИ

警告 重要的安全性说明

此警告符号代表危险。您正处于可能受到严重伤害的工作环境中。在您使用设备开始工作之前，必须充分意识到触电的危险，并熟练掌握防止事故发生的标准工作程序。请根据每项警告结尾提供的声明号码来找到此设备的安全性警告说明的翻译文本。

请保存这些安全性说明

警告 安全上の重要な注意事項

「危険」の意味です。人身事故を予防するための注意事項が記述されています。装置の取り扱い作業を行うときは、電気回路の危険性に注意し、一般的な事故防止策に留意してください。警告の各国語版は、各注意事項の番号を基に、装置に付属の「Translated Safety Warnings」を参照してください。

これらの注意事項を保管しておいてください。

More Than One Power Supply

**Warning**

This unit might have more than one power supply connection. All connections must be removed to de-energize the unit. Statement 1028

Waarschuwing

Deze eenheid kan meer dan één stroomtoevoeraansluiting bevatten. Alle aansluitingen dienen ontkoppeld te worden om de eenheid te ontcrachten.

Varoitus

Tässä laitteessa voi olla useampia kuin yksi virtakytkentä. Kaikki liitännät on irrotettava, jotta jännite poistetaan laitteesta.

Attention

Cette unité peut avoir plus d'une connexion d'alimentation. Pour supprimer toute tension et tout courant électrique de l'unité, toutes les connexions d'alimentation doivent être débranchées.

Warnung

Dieses Gerät kann mehr als eine Stromzufuhr haben. Um sicherzustellen, dass der Einheit kein Strom zugeführt wird, müssen alle Verbindungen entfernt werden.

Avvertenza

Questa unità può avere più di una connessione all'alimentazione elettrica. Tutte le connessioni devono essere staccate per togliere la corrente dall'unità.

Advarsel

Denne enheten kan ha mer enn én strømtilførselskobling. Alle koblinger må fjernes fra enheten for å utkoble all strøm.

Aviso

Esta unidade poderá ter mais de uma conexão de fonte de energia. Todas as conexões devem ser removidas para desligar a unidade.

¡Advertencia!

Puede que esta unidad tenga más de una conexión para fuentes de alimentación. Para cortar por completo el suministro de energía, deben desconectarse todas las conexiones.

More Than One Power Supply

Varning!	Denna enhet har eventuellt mer än en strömförsörjningsanslutning. Alla anslutningar måste tas bort för att göra enheten strömlös.
Figyelem	Előfordulhat, hogy a készülék többszörösen van csatlakoztatva az áramforráshoz. A készülék áramtalanításához mindegyik csatlakozást meg kell szüntetni.
Предупреждение	В данном устройстве может использоваться несколько подключений к электросети. Чтобы обесточить устройство, необходимо отключить все эти подключения.
警告	此部件连接的电源可能不止一个。必须将所有电源断开才能停止给该部件供电。
警告	この装置には、複数の電源が接続されている場合があります。装置の電源を完全にオフにするには、すべての電源を切断する必要があります。
주의	본 장치에는 2개 이상의 전원 공급 연결 단자가 있을 수 있습니다. 이 장치의 전원을 차단하려면 모든 연결 단자를 제거해야 합니다.
Aviso	Esta unidade pode ter mais de uma conexão de fonte de alimentação. Todas as conexões devem ser removidas para interromper a alimentação da unidade.
Advarsel	Denne enhed har muligvis mere end en strømforsyningstilslutning. Alle tilslutninger skal fjernes for at aflade strømmen fra enheden.
تحذير	قد تتضمن هذه الوحدة أكثر من اتصال بمورد الطاقة. يجب فصل كافة التوصيلات حتى يمكن إفراغ طاقة الوحدة.
Upozorenje	Uređaj može imati više priključaka za izvore napajanja. Za potpuno isključivanje napajanja potrebno je iskopčati sve priključke.
Upozornění	Toto zařízení může být připojeno k více než jednomu zdroji napájení. Aby se zařízení zcela odpojilo od proudu, musí být odpojeno od všech zdrojů napájení.
Προειδοποίηση	Αυτή η συσκευή ίσως να έχει περισσότερες συνδέσεις τροφοδοσίας. Για να απενεργοποιηθεί η συσκευή, πρέπει να αφαιρεθούν όλες οι συνδέσεις.
אזהרה	ייתכן שביחידה זו קיים יותר מחיבור אחד לספק כוח. יש להסיר את כל החיבורים כדי להפסיק את אספקת המתח ליחידה.
Opomena	Уредот може да има повеќе од еден приклучок за напојување. Сите приклучоци мора да се извадат за да се прекине доводот на енергија во уредот.
Ostrzeżenie	To urządzenie może mieć podłączone więcej niż jedno źródło zasilania. Aby całkowicie odciąć dopływ energii do urządzenia, należy odłączyć wszystkie źródła zasilania.

Upozornenie Toto zariadenie môže byť pripojené k viac ako jednému zdroju napájania. Aby sa zariadenie odpojilo od prúdu, musí byť odpojené od všetkých zdrojov.

警告 本裝置可能有一個以上的供電連線。必須移除所有連線才能將裝置斷電。

Installation Instructions



Warning

Read the installation instructions before connecting the system to the power source. Statement 1004

Waarschuwing Raadpleeg de installatie-instructies voordat u het systeem op de voedingsbron aansluit.

Varoitus Lue asennusohjeet ennen järjestelmän yhdistämistä virtalähteeseen.

Attention Avant de brancher le système sur la source d'alimentation, consulter les directives d'installation.

Warnung Vor dem Anschließen des Systems an die Stromquelle die Installationsanweisungen lesen.

Avvertenza Consultare le istruzioni di installazione prima di collegare il sistema all'alimentatore.

Advarsel Les installasjonsinstruksjonene før systemet kobles til strømkilden.

Aviso Leia as instruções de instalação antes de ligar o sistema à fonte de energia.

¡Advertencia! Lea las instrucciones de instalación antes de conectar el sistema a la red de alimentación.

Varning! Läs installationsanvisningarna innan du kopplar systemet till strömförsörjningsenheten.

Figyelem Mielőtt áramforráshoz csatlakoztatná a rendszert, olvassa el az üzembe helyezési útmutatót!

Предупреждение Перед подключением устройства к источнику электропитания ознакомьтесь с данной инструкцией по установке.

警告 在將系統與電源連接之前，請仔細閱讀安裝說明。

警告 必ず設置手順を読んでから、システムを電源に接続してください。

주의 시스템을 전원에 연결하기 전에 설치 지침을 읽으십시오.

Aviso Leia as instruções de instalação antes de conectar o sistema à fonte de energia.

Upozornění Před připojením systému k elektrické síti si prostudujte pokyny k instalaci.

אזהרה יש לקרוא את הוראות ההתקנה לפני חיבור המערכת למקור המתח.

Ostrzeżenie Przed podłączeniem systemu do źródła zasilania należy przeczytać instrukcje dotyczące instalacji.

Upozornenie Pred pripojením systému k napájacímu zdroju si prečítajte inštaláčn é pokyny.

Opozorilo Preden sistem priključite, preberite navodila za priključitev.

警告 將系統連接供電系統前，請先閱讀安裝指南。

Figyelem Mielőtt áramforráshoz csatlakoztatná a rendszert, olvassa el az üzembe helyezési útmutatót!

Предупреждение Перед подключением устройства к источнику электропитания ознакомьтесь с данной инструкцией по установке.

警告 在将系统与电源连接之前，请仔细阅读安装说明。

警告 必ず設置手順を読んでから、システムを電源に接続してください。

주의 시스템을 전원에 연결하기 전에 설치 지침을 읽으십시오.

Aviso Leia as instruções de instalação antes de conectar o sistema à fonte de energia.

Upozornění Před připojením systému k elektrické síti si prostudujte pokyny k instalaci.

אזהרה יש לקרוא את הוראות ההתקנה לפני חיבור המערכת למקור המתח.

Ostrzeżenie Przed podłączeniem systemu do źródła zasilania należy przeczytać instrukcje dotyczące instalacji.

Upozornenie Pred pripojením systému k napájacímu zdroju si prečítajte inštaláčn é pokyny.

Opozorilo Preden sistem priključite, preberite navodila za priključitev.

警告 將系統連接供電系統前，請先閱讀安裝指南。

Ground Conductor Warning



Warning

This equipment must be grounded. Never defeat the ground conductor or operate the equipment in the absence of a suitably installed ground conductor. Contact the appropriate electrical inspection authority or an electrician if you are uncertain that suitable grounding is available. Statement 1024

Waarschuwing

Deze apparatuur dient geaard te zijn. De aardingsleiding mag nooit buiten werking worden gesteld en de apparatuur mag nooit bediend worden zonder dat er een op de juiste wijze geïnstalleerde aardingsleiding aanwezig is. Neem contact op met de bevoegde instantie voor elektrische inspecties of met een elektricien als u er niet zeker van bent dat er voor passende aarding gezorgd is.

Varoitus

Laitteiden on oltava maadoitettuja. Älä koskaan ohita maajohdinta tai käytä laitteita ilman oikein asennettua maajohdinta. Ota yhteys sähkö tarkastusviranomaiseen tai sähköasentajaan, jos olet epävarma maadoituksen sopivuudesta.

Attention

Cet équipement doit être mis à la masse. Ne jamais rendre inopérant le conducteur de masse ni utiliser l'équipement sans un conducteur de masse adéquatement installé. En cas de doute sur la mise à la masse appropriée disponible, s'adresser à l'organisme responsable de la sécurité électrique ou à un électricien.

Warnung

Dieses Gerät muss geerdet sein. Auf keinen Fall den Erdungsleiter unwirksam machen oder das Gerät ohne einen sachgerecht installierten Erdungsleiter verwenden. Wenn Sie sich nicht sicher sind, ob eine sachgerechte Erdung vorhanden ist, wenden Sie sich an die zuständige Inspektionsbehörde oder einen Elektriker.

Avvertenza

Questa apparecchiatura deve essere dotata di messa a terra. Non escludere mai il conduttore di protezione né usare l'apparecchiatura in assenza di un conduttore di protezione installato in modo corretto. Se non si è certi della disponibilità di un adeguato collegamento di messa a terra, richiedere un controllo elettrico presso le autorità competenti o rivolgersi a un elettricista.

Advarsel

Dette utstyret må jordes. Omgå aldri jordingslederen og bruk aldri utstyret uten riktig montert jordingsleder. Ta kontakt med fagfolk innen elektrisk inspeksjon eller med en elektriker hvis du er usikker på om det finnes velegnet jordning.

Aviso

Este equipamento deve ser aterrado. Nunca anule o fio terra nem opere o equipamento sem um aterramento adequadamente instalado. Em caso de dúvida com relação ao sistema de aterramento disponível, entre em contato com os serviços locais de inspeção elétrica ou um eletricista qualificado.

Ground Conductor Warning

¡Advertencia! Este equipo debe estar conectado a tierra. No inhabilite el conductor de tierra ni haga funcionar el equipo si no hay un conductor de tierra instalado correctamente. Póngase en contacto con la autoridad correspondiente de inspección eléctrica o con un electricista si no está seguro de que haya una conexión a tierra adecuada.

Varning! Denna utrustning måste jordas. Koppla aldrig från jordledningen och använd aldrig utrustningen utan en på lämpligt sätt installerad jordledning. Om det föreligger osäkerhet huruvida lämplig jordning finns skall elektrisk besiktningsauktoritet eller elektriker kontaktas.

Figyelem A berendezés csak megfelelő védőföldeléssel működtethető. Ne iktassa ki a földelés csatlakozóját, és ne üzemeltesse a berendezést szabályosan felszerelt földelő vezeték nélkül! Ha nem biztos benne, hogy megfelelő földelés áll rendelkezésbe, forduljon a helyi elektromos hatóságokhoz vagy egy villanyszerelőhöz.

Предупреждение Данное устройство должно быть заземлено. Никогда не отключайте провод заземления и не пользуйтесь оборудованием при отсутствии правильно подключенного провода заземления. За сведениями об имеющихся возможностях заземления обратитесь к соответствующим контролирующим организациям по энергоснабжению или к инженеру-электрику.

警告 此设备必须接地。切勿使接地导体失效，或者在没有正确安装接地导体的情况下操作该设备。如果您不能肯定接地导体是否正发挥正常作用，请咨询有关电路检测方面的权威人士或电工。

警告 この装置はアース接続する必要があります。アース導体を破損しないよう注意し、アース導体を正しく取り付けないまま装置を稼働させないでください。アース接続が適正であるかどうか分からない場合には、電気検査機関または電気技術者に相談してください。

Figyelem A berendezés csak megfelelő védőföldeléssel működtethető. Ne iktassa ki a földelés csatlakozóját, és ne üzemeltesse a berendezést szabályosan felszerelt földelő vezeték nélkül! Ha nem biztos benne, hogy megfelelő földelés áll rendelkezésbe, forduljon a helyi elektromos hatóságokhoz vagy egy villanyszerelőhöz.

Предупреждение Данное устройство должно быть заземлено. Никогда не отключайте провод заземления и не пользуйтесь оборудованием при отсутствии правильно подключенного провода заземления. За сведениями об имеющихся возможностях заземления обратитесь к соответствующим контролирующим организациям по энергоснабжению или к инженеру-электрику.

警告 此设备必须接地。切勿使接地导体失效，或者在没有正确安装接地导体的情况下操作该设备。如果您不能肯定接地导体是否正常发挥作用，请咨询有关电路检测方面的权威人士或电工。

警告 この装置はアース接続する必要があります。アース導体を破損しないよう注意し、アース導体を正しく取り付けないまま装置を稼働させないでください。アース接続が適正であるかどうか分からない場合には、電気検査機関または電気技術者に相談してください。

Chassis Warning for Rack-Mounting and Servicing



Warning

To prevent bodily injury when mounting or servicing this unit in a rack, you must take special precautions to ensure that the system remains stable. The following guidelines are provided to ensure your safety: Statement 1006

- This unit should be mounted at the bottom of the rack if it is the only unit in the rack.
- When mounting this unit in a partially filled rack, load the rack from the bottom to the top with the heaviest component at the bottom of the rack.
- If the rack is provided with stabilizing devices, install the stabilizers before mounting or servicing the unit in the rack.

Waarschuwing

Om lichamelijk letsel te voorkomen wanneer u dit toestel in een rek monteert of het daar een servicebeurt geeft, moet u speciale voorzorgsmaatregelen nemen om ervoor te zorgen dat het toestel stabiel blijft. De onderstaande richtlijnen worden verstrekt om uw veiligheid te verzekeren:

- Dit toestel dient onderaan in het rek gemonteerd te worden als het toestel het enige in het rek is.
- Wanneer u dit toestel in een gedeeltelijk gevuld rek monteert, dient u het rek van onderen naar boven te laden met het zwaarste onderdeel onderaan in het rek.
- Als het rek voorzien is van stabiliseringshulpmiddelen, dient u de stabilisatoren te monteren voordat u het toestel in het rek monteert of het daar een servicebeurt geeft.

Varoitus

Kun laite asetetaan telineeseen tai huolletaan sen ollessa telineessä, on noudatettava erityisiä varotoimia järjestelmän vakavuuden säilyttämiseksi, jotta vältetään loukkaantumiselta. Noudata seuraavia turvallisuusohjeita:

- Jos telineessä ei ole muita laitteita, aseta laite telineen alaosaan.
- Jos laite asetetaan osaksi täytettyyn telineeseen, aloita kuormittaminen sen alaosasta kaikkein raskaimmalla esineellä ja siirry sitten sen yläosaan.
- Jos telinettä varten on vakaimet, asenna ne ennen laitteen asettamista telineeseen tai sen huoltamista siinä.

- Attention** Pour éviter toute blessure corporelle pendant les opérations de montage ou de réparation de cette unité en casier, il convient de prendre des précautions spéciales afin de maintenir la stabilité du système. Les directives ci-dessous sont destinées à assurer la protection du personnel:
- Si cette unité constitue la seule unité montée en casier, elle doit être placée dans le bas.
 - Si cette unité est montée dans un casier partiellement rempli, charger le casier de bas en haut en plaçant l'élément le plus lourd dans le bas.
 - Si le casier est équipé de dispositifs stabilisateurs, installer les stabilisateurs avant de monter ou de réparer l'unité en casier.
- Warnung** Zur Vermeidung von Körperverletzung beim Anbringen oder Warten dieser Einheit in einem Gestell müssen Sie besondere Vorkehrungen treffen, um sicherzustellen, daß das System stabil bleibt. Die folgenden Richtlinien sollen zur Gewährleistung Ihrer Sicherheit dienen:
- Wenn diese Einheit die einzige im Gestell ist, sollte sie unten im Gestell angebracht werden.
 - Bei Anbringung dieser Einheit in einem zum Teil gefüllten Gestell ist das Gestell von unten nach oben zu laden, wobei das schwerste Bauteil unten im Gestell anzubringen ist.
 - Wird das Gestell mit Stabilisierungszubehör geliefert, sind zuerst die Stabilisatoren zu installieren, bevor Sie die Einheit im Gestell anbringen oder sie warten.
- Avvertenza** Per evitare infortuni fisici durante il montaggio o la manutenzione di questa unità in un supporto, occorre osservare speciali precauzioni per garantire che il sistema rimanga stabile. Le seguenti direttive vengono fornite per garantire la sicurezza personale:
- Questa unità deve venire montata sul fondo del supporto, se si tratta dell'unica unità da montare nel supporto.
 - Quando questa unità viene montata in un supporto parzialmente pieno, caricare il supporto dal basso all'alto, con il componente più pesante sistemato sul fondo del supporto.
 - Se il supporto è dotato di dispositivi stabilizzanti, installare tali dispositivi prima di montare o di procedere alla manutenzione dell'unità nel supporto.
- Advarsel** Unngå fysiske skader under montering eller reparasjonsarbeid på denne enheten når den befinner seg i et kabinett. Vær nøye med at systemet er stabilt. Følgende retningslinjer er gitt for å verne om sikkerheten:
- Denne enheten bør monteres nederst i kabinettet hvis dette er den eneste enheten i kabinettet.
 - Ved montering av denne enheten i et kabinett som er delvis fylt, skal kabinettet lastes fra bunnen og opp med den tyngste komponenten nederst i kabinettet.
 - Hvis kabinettet er utstyrt med stabiliseringsutstyr, skal stabilisatorene installeres før montering eller utføring av reparasjonsarbeid på enheten i kabinettet.
- Aviso** Para se prevenir contra danos corporais ao montar ou reparar esta unidade numa estante, deverá tomar precauções especiais para se certificar de que o sistema possui um suporte estável. As seguintes directrizes ajudá-lo-ão a efectuar o seu trabalho com segurança:
- Esta unidade deverá ser montada na parte inferior da estante, caso seja esta a única unidade a ser montada.
 - Ao montar esta unidade numa estante parcialmente ocupada, coloque os itens mais pesados na parte inferior da estante, arrumando-os de baixo para cima.
 - Se a estante possuir um dispositivo de estabilização, instale-o antes de montar ou reparar a unidade.

- ¡Advertencia!** Para evitar lesiones durante el montaje de este equipo sobre un bastidor, o posteriormente durante su mantenimiento, se debe poner mucho cuidado en que el sistema quede bien estable. Para garantizar su seguridad, proceda según las siguientes instrucciones:
- Colocar el equipo en la parte inferior del bastidor, cuando sea la única unidad en el mismo.
 - Cuando este equipo se vaya a instalar en un bastidor parcialmente ocupado, comenzar la instalación desde la parte inferior hacia la superior colocando el equipo más pesado en la parte inferior.
 - Si el bastidor dispone de dispositivos estabilizadores, instalar éstos antes de montar o proceder al mantenimiento del equipo instalado en el bastidor.
- Varning!** För att undvika kroppsskada när du installerar eller utför underhållsarbete på denna enhet på en ställning måste du vidta särskilda försiktighetsåtgärder för att försäkra dig om att systemet står stadigt. Följande riktlinjer ges för att trygga din säkerhet:
- Om denna enhet är den enda enheten på ställningen skall den installeras längst ned på ställningen.
 - Om denna enhet installeras på en delvis fylld ställning skall ställningen fyllas nedifrån och upp, med de tyngsta enheterna längst ned på ställningen.
 - Om ställningen är försedd med stabiliseringsdon skall dessa monteras fast innan enheten installeras eller underhålls på ställningen.
- Figyelem** A készülék rackbe történő beszerelése és karbantartása során bekövetkező sérülések elkerülése végett speciális óvintézkedésekkel meg kell őrizni a rendszer stabilitását. A személyes biztonsága érdekében tartsa be a következő szabályokat:
- Ha a rackben csak ez az egy készülék található, a rack aljába kell beszerelni.
 - Ha nincs teljesen tele az a rack, amelybe beszerelik a készüléket, alulról fölfelé haladva tölts fel a racket úgy, hogy a legnehezebb készülék kerüljön a rack aljába.
 - Ha stabilizáló eszközök is tartoznak a rackhez, szerelje fel a stabilizátorokat, mielőtt beszerelné az egységet a rackbe, vagy karbantartást végezne rajta.
- Предупреждение** Во избежание травм при монтаже и обслуживании устройства в стойке следует принять особые меры предосторожности, чтобы убедиться в устойчивости оборудования. Для обеспечения безопасности работ необходимо соблюдать следующие правила.
- Если в стойке находится одно устройство, оно должно быть установлено в нижней части.
 - При монтаже устройств в частично заполненную стойку устанавливайте оборудование снизу вверх, размещая наиболее тяжелые устройства в нижней части.
 - Если стойка снабжена приспособлениями для стабилизации, их необходимо установить до начала монтажа или обслуживания оборудования.
- 警告** 为避免在机架中安装或维修该部件时使身体受伤，您必须采取特殊的预防措施确保系统固定。以下是确保安全的原则：
- 如果此部件是机架中唯一的部件，应将其安装在机架的底部。
 - 如果在部分装满的机架中安装此部件，请按从下往上的顺序安装各个部件，并且最重的组件应安装在机架的底部。
 - 如果机架配有固定装置，请先装好固定装置，然后再在机架中安装或维修部件。
- 警告** この装置をラックに設置したり保守作業を行ったりするときは、人身事故を防ぐため、システムが安定しているかどうかを十分に確認する必要があります。次の注意事項に従ってください。
- ラックにこの装置を単独で設置する場合は、ラックの一番下に設置します。
 - ラックに別の装置がすでに設置されている場合は、最も重量のある装置を一番下にして、重い順に下から上へ設置します。
 - ラックに安定器具が付属している場合は、その安定器具を取り付けてから、装置をラックに設置するか、またはラック内の装置の保守作業を行ってください。

- 주의** 이 장치를 랙에 장착하거나 서비스할 때 신체 부상을 방지하려면, 시스템이 안정된 상태를 유지하도록 특별히 주의해야 합니다. 사용자의 안전을 위해 다음 지침 사항을 준수하십시오.
- 이 장치가 랙에 장착되는 유일한 것일 경우, 랙의 맨 아래 부분에 장착되어야 합니다.
 - 부분적으로 차 있는 랙에 이 장치를 장착할 경우, 가장 무거운 장치를 랙의 맨 아래 부분부터 차례로 장착하십시오.
 - 안정기가 랙과 함께 제공되는 경우, 이 안정기를 설치한 후 이 장치를 랙에 장착하거나 서비스하십시오.

Aviso Para evitar lesões corporais ao montar ou dar manutenção a esta unidade em um rack, é necessário tomar todas as precauções para garantir a estabilidade do sistema. As seguintes orientações são fornecidas para garantir a sua segurança:

- Se esta for a única unidade, ela deverá ser montada na parte inferior do rack.
- Ao montar esta unidade em um rack parcialmente preenchido, carregue-o de baixo para cima com o componente mais pesado em sua parte inferior.
- Se o rack contiver dispositivos estabilizadores, instale-os antes de montar ou dar manutenção à unidade existente.

Advarsel For at forhindre legemesbeskadigelse ved montering eller service af denne enhed i et rack, skal du sikre at systemet står stabilt. Følgende retningslinjer er også for din sikkerheds skyld:

- Enheden skal monteres i bunden af dit rack, hvis det er den eneste enhed i racket.
- Ved montering af denne enhed i et delvist fyldt rack, skal enhederne installeres fra bunden og opad med den tungeste enhed nederst.
- Hvis racket leveres med stabiliseringsenheder, skal disse installeres for enheden monteres eller serviceres i racket.

تحذير

لتجنب حدوث أي إصابات عند تركيب هذه الوحدة، يجب اتباع بعض الاحتياطات لضمان عمل النظام بشكل سليم. يتم ذكر الإرشادات التالية لضمان الأمان.

يجب تركيب هذه الوحدة في الجزء السفلي من الدولاب المتضمن قضبان إذا كانت هذه الوحدة هي الوحدة الوحيدة في الدولاب الذي يحتوي على قضبان.

عند تركيب هذه الوحدة في دولاب شبه ممتلئ، قم برفع الدولاب من الجزء السفلي لأعلى بحيث يكون الجزء الأثقل وزناً أسفل الدولاب.

إذا كان الدولاب المتضمن قضباناً يحتوي على أجهزة حفظ التوازن، قم بتثبيت هذه الأجهزة قبل تركيب الوحدة في الدولاب.

Upozorenje Kako ne bi došlo do tjelesnih ozljeda kod postavljanja ili servisiranja uređaja na polici, potrebno je poduzeti mjere predostrožnosti kako bi sustav uvijek bio stabilan. Sigurnost se može osigurati poštivanjem sljedećih smjernica:

- Ovaj uređaj treba ugraditi na dno police, ukoliko je to jedini uređaj na polici.
- Kod ugradnje uređaja u policu na kojoj se već nalaze drugi uređaji, policu treba opremiti počevši od dna, te tako da se na dno stave najteži dijelovi.
- Ukoliko su na polici ugrađeni stabilizatori, njih montirajte prije ugradnje ili servisiranja uređaja na polici.

- Upozornění** Abyste předešli poranění osob při montáži nebo opravě zařízení v montážním rámu, musíte dodržovat zvláštní preventivní opatření pro zajištění udržení stability systému. Pro zajištění bezpečnosti obsluhy jsou určeny následující zásady:
- Pokud je toto zařízení jedinou jednotkou v montážním rámu, musí být namontováno na nejnižší místo rámu.
 - Pokud je toto zařízení montováno do částečně obsazeného montážního rámu, obsazujte montážní rám ve směru zdola nahoru tak, aby byla nejtěžší součást nejnižší.
 - Pokud je montážní rám vybaven stabilizačními zařízeními, nainstalujte stabilizátory ještě před montáží nebo opravou zařízení v montážním rámu.
- Προειδοποίηση** Για να αποφύγετε τον τραυματισμό κατά την τοποθέτηση ή τη συντήρηση αυτής της συσκευής σε αρθρωτό σύστημα, πρέπει να λάβετε ειδικές προφυλάξεις για να διασφαλίσετε τη σταθερότητα του συστήματος. Οι παρακάτω οδηγίες παρέχονται για να εξασφαλίσουν την ασφάλειά σας:
- Αυτή η συσκευή πρέπει να τοποθετείται στο κάτω μέρος του αρθρωτού συστήματος αν είναι η μοναδική συσκευή σε αυτό.
 - Όταν τοποθετείτε αυτήν τη συσκευή σε εν μέρει γεμάτο αρθρωτό σύστημα, τοποθετήστε συσκευές στο αρθρωτό σύστημα από κάτω προς τα επάνω, με τη βαρύτερη συσκευή στο κάτω μέρος του συστήματος.
 - Εάν το αρθρωτό σύστημα διαθέτει διατάξεις σταθεροποίησης, τοποθετήστε τους σταθεροποιητές πριν τοποθετήσετε ή συντηρήσετε τη συσκευή στο αρθρωτό σύστημα.
- אזהרה** כדי למנוע פציעה בעת הרכבת יחידה זו במעמד או טיפול בה, עליך לנקוט אמצעי זהירות מיוחדים כדי להבטיח את יציבות המערכת. הקווים המנחים הבאים ניתנים על מנת להבטיח את ביטחונך:
- אם יחידה זו היא יחידה בודדת במעמד, יש להרכיב את היחידה בחלקו התחתון של המעמד.
 - בעת הרכבת יחידה זו במעמד המלא בחלקו, טען את המעמד החל בחלק התחתון וכלפי מעלה כאשר הרכיב הכבד ביותר נמצא בחלקו התחתון של המעמד.
 - אם המעמד מסופק עם התקני ייצוב, התקן את המייצבים לפני הרכבה היחידה במעמד או טיפול בה.
- Opomena** За да се не повредите кога го монтирате или го сервисирате уредот на полица, мора да бидете особено претпазливи за да ја обезбедите стабилноста на системот. Следите напатствија се дадени за да ја осигураат Вашата безбедност:
- Уредот треба да се монтира најдолу на полицата ако е единствен уред на полицата.
 - Кога го монтирате уредот на делумно пополнета полица, полнете ја полицата од дното кон врвот со најтешката компонента на дното на полицата.
 - Ако полицата има стабилизаторски делови, наместете ги стабилизаторите пред да го монтирате или сервисирате уредот на полицата.

- Ostrzeżenie** Aby zapobiec urazom podczas montażu lub serwisowania tego urządzenia w stojaku, należy zastosować szczególne środki ostrożności w celu zapewnienia stabilności układu. Poniżej przedstawiono wskazówki, których przestrzeganie zapewni bezpieczeństwo:
- Jeśli urządzenie to jest jedynym urządzeniem w stojaku, powinno być zamontowane na dole.
 - W przypadku montażu urządzenia w częściowo zapełnionym stojaku należy instalować kolejne urządzenia od najniższego do najwyższego, przy czym element najcięższy powinien być zamontowany najniżej w stojaku.
 - Jeśli stojak jest wyposażony w elementy stabilizujące, należy zamontować stabilizatory przed przystąpieniem do montażu lub serwisowania urządzeń w stojaku.
- Upozornenie** Aby ste predišli poraneniu osôb pri montáži alebo oprave zariadenia v montážnom ráme, musíte dodržiavať zvláštne preventívne opatrenia na zaistenie udržania stability systému. Na zaistenie bezpečnosti obsluhy sú určené nasledujúce zásady:
- Pokiaľ je toto zariadenie jedinou jednotkou v montážnom ráme, musí byť namontované na najnižšie miesto v ráme.
 - Pokiaľ je toto zariadenie montované do čiastočne obsadeného montážneho rámu, obsadzujte montážny rám v smere zdola nahor tak, aby bola najťažšia súčasť najnižšie.
 - Pokiaľ je montážny rám vybavený stabilizačnými zariadeniami, nainštalujte stabilizátory ešte pred montážou alebo opravou zariadenia v montážnom ráme.
-

Figyelem A készülék rackbe történő beszerelése és karbantartása során bekövetkező sérülések elkerülése végett speciális óvintézkedésekkel meg kell őrizni a rendszer stabilitását. A személyes biztonsága érdekében tartsa be a következő szabályokat:

- Ha a rackben csak ez az egy készülék található, a rack aljába kell beszerelni.
- Ha nincs teljesen tele az a rack, amelybe beszerelik a készüléket, alulról fölfelé haladva töltsse fel a racket úgy, hogy a legnehezebb készülék kerüljön a rack aljába.
- Ha stabilizáló eszközök is tartoznak a rackhez, szerelje fel a stabilizátorokat, mielőtt beszerelné az egységet a rackbe, vagy karbantartást végezne rajta.

Предупреждение Во избежание травм при монтаже и обслуживании устройства в стойке следует принять особые меры предосторожности, чтобы убедиться в устойчивости оборудования. Для обеспечения безопасности работ необходимо соблюдать следующие правила.

- Если в стойке находится одно устройство, оно должно быть установлено в нижней части.
- При монтаже устройств в частично заполненную стойку устанавливайте оборудование снизу вверх, размещая наиболее тяжелые устройства в нижней части.
- Если стойка снабжена приспособлениями для стабилизации, их необходимо установить до начала монтажа или обслуживания оборудования.

警告 为避免在机架中安装或维修该部件时使身体受伤，您必须采取特殊的预防措施确保系统固定。以下是确保安全的原则：

- 如果此部件是机架中唯一的部件，应将其安装在机架的底部。
- 如果在部分装满的机架中安装此部件，请按从下往上的顺序安装各个部件，并且最重的组件应安装在机架的底部。
- 如果机架配有固定装置，请先装好固定装置，然后再在机架中安装或维修部件。

警告 この装置をラックに設置したり保守作業を行ったりするときは、人身事故を防ぐため、システムが安定しているかどうかを十分に確認する必要があります。次の注意事項に従ってください。

- ラックにこの装置を単独で設置する場合は、ラックの一番下に設置します。
- ラックに別の装置がすでに設置されている場合は、最も重量のある装置を一番下にして、重い順に下から上へ設置します。
- ラックに安定器具が付属している場合は、その安定器具を取り付けてから、装置をラックに設置するか、またはラック内の装置の保守作業を行ってください。

- 주의** 이 장치를 랙에 장착하거나 서비스할 때 신체 부상을 방지하려면, 시스템이 안정된 상태를 유지하도록 특별히 주의해야 합니다. 사용자의 안전을 위해 다음 지침 사항을 준수하십시오.
- 이 장치가 랙에 장착되는 유일한 것일 경우, 랙의 맨 아래 부분에 장착되어야 합니다.
 - 부분적으로 차 있는 랙에 이 장치를 장착할 경우, 가장 무거운 장치를 랙의 맨 아래 부분부터 차례로 장착하십시오.
 - 안정기가 랙과 함께 제공되는 경우, 이 안정기를 설치한 후 이 장치를 랙에 장착하거나 서비스하십시오.

تحذير لتجنب حدوث أي إصابات عند تركيب هذه الوحدة، يجب اتباع بعض الاحتياطات لضمان عمل النظام بشكل سليم. يتم ذكر الإرشادات التالية لضمان الأمان.

يجب تركيب هذه الوحدة في الجزء السفلي من الدولاب المتضمن قضبان إذا كانت هذه الوحدة هي الوحدة الوحيدة في الدولاب الذي يحتوي على قضبان.

عند تركيب هذه الوحدة في دولاب شبه ممتلئ، قم برفع الدولاب من الجزء السفلي لأعلى بحيث يكون الجزء الأثقل وزناً أسفل الدولاب.

إذا كان الدولاب المتضمن قضباناً يحتوي على أجهزة حفظ التوازن، قم بتثبيت هذه الأجهزة قبل تركيب الوحدة في الدولاب.

- Upozorenje** Kako ne bi došlo do tjelesnih ozljeda kod postavljanja ili servisiranja uređaja na polici, potrebno je poduzeti mjere predostrožnosti kako bi sustav uvijek bio stabilan. Sigurnost se može osigurati poštivanjem sljedećih smjernica:
- Ovaj uređaj treba ugraditi na dno police, ukoliko je to jedini uređaj na polici.
 - Kod ugradnje uređaja u policu na kojoj se već nalaze drugi uređaji, policu treba opremiti počevši od dna, te tako da se na dno stave najteži dijelovi.
 - Ukoliko su na polici ugrađeni stabilizatori, njih montirajte prije ugradnje ili servisiranja uređaja na polici.

- Upozornění** Abyste předešli poranění osob při montáži nebo opravě zařízení v montážním rámu, musíte dodržovat zvláštní preventivní opatření pro zajištění udržení stability systému. Pro zajištění bezpečnosti obsluhy jsou určeny následující zásady:
- Pokud je toto zařízení jedinou jednotkou v montážním rámu, musí být namontováno na nejnižší místo rámu.
 - Pokud je toto zařízení montováno do částečně obsazeného montážního rámu, obsazujte montážní rám ve směru zdola nahoru tak, aby byla nejtěžší součást nejnižší.
 - Pokud je montážní rám vybaven stabilizačními zařízeními, nainstalujte stabilizátory ještě před montáží nebo opravou zařízení v montážním rámu.

Προειδοποίηση	<p>Για να αποφύγετε τον τραυματισμό κατά την τοποθέτηση ή τη συντήρηση αυτής της συσκευής σε αρθρωτό σύστημα, πρέπει να λάβετε ειδικές προφυλάξεις για να διασφαλίσετε τη σταθερότητα του συστήματος. Οι παρακάτω οδηγίες παρέχονται για να εξασφαλίσουν την ασφάλειά σας:</p> <ul style="list-style-type: none"> • Αυτή η συσκευή πρέπει να τοποθετείται στο κάτω μέρος του αρθρωτού συστήματος αν είναι η μοναδική συσκευή σε αυτό. • Όταν τοποθετείτε αυτήν τη συσκευή σε εν μέρει γεμάτο αρθρωτό σύστημα, τοποθετήστε συσκευές στο αρθρωτό σύστημα από κάτω προς τα επάνω, με τη βαρύτερη συσκευή στο κάτω μέρος του συστήματος. • Εάν το αρθρωτό σύστημα διαθέτει διατάξεις σταθεροποίησης, τοποθετήστε τους σταθεροποιητές πριν τοποθετήσετε ή συντηρήσετε τη συσκευή στο αρθρωτό σύστημα.
אזהרה	<p>כדי למנוע פציעה בעת הרכבת יחידה זו במעמד או טיפול בה, עליך לנקוט אמצעי זהירות מיוחדים כדי להבטיח את יציבות המערכת. הקווים המנחים הבאים ניתנים על מנת להבטיח את ביטחונך:</p> <ul style="list-style-type: none"> • אם יחידה זו היא יחידה בודדת במעמד, יש להרכיב את היחידה בחלקו התחתון של המעמד. • בעת הרכבת יחידה זו במעמד המלא בחלקו, טען את המעמד החל בחלק התחתון וכלפי מעלה כאשר הרכיב הכבד ביותר נמצא בחלקו התחתון של המעמד. • אם המעמד מסופק עם התקני ייצוב, התקן את המייצבים לפני הרכבה היחידה במעמד או טיפול בה.
Opomena	<p>За да се не повредите кога го монтирате или го сервисирате уредот на полица, мора да бидете особено претпазливи за да ја обезбедите стабилноста на системот. Следите напатствија се дадени за да ја осигураат Вашата безбедност:</p> <ul style="list-style-type: none"> • Уредот треба да се монтира најдолу на полицата ако е единствен уред на полицата. • Кога го монтирате уредот на делумно пополнета полица, полнете ја полицата од дното кон врвот со најтешката компонента на дното на полицата. • Ако полицата има стабилизаторски делови, наместете ги стабилизаторите пред да го монтирате или сервисирате уредот на полицата.

- Ostrzeżenie** Aby zapobiec urazom podczas montażu lub serwisowania tego urządzenia w stojaku, należy zastosować szczególne środki ostrożności w celu zapewnienia stabilności układu. Poniżej przedstawiono wskazówki, których przestrzeganie zapewni bezpieczeństwo:
- Jeśli urządzenie to jest jedynym urządzeniem w stojaku, powinno być zamontowane na dole.
 - W przypadku montażu urządzenia w częściowo zapełnionym stojaku należy instalować kolejne urządzenia od najniższego do najwyższego, przy czym element najcięższy powinien być zamontowany najniżej w stojaku.
 - Jeśli stojak jest wyposażony w elementy stabilizujące, należy zamontować stabilizatory przed przystąpieniem do montażu lub serwisowania urządzeń w stojaku.
- Upozornenie** Aby ste predišli poraneniu osôb pri montáži alebo oprave zariadenia v montážnom ráme, musíte dodržiavať zvláštne preventívne opatrenia na zaistenie udržania stability systému. Na zaistenie bezpečnosti obsluhy sú určené nasledujúce zásady:
- Pokiaľ je toto zariadenie jedinou jednotkou v montážnom ráme, musí byť namontované na najnižšie miesto v ráme.
 - Pokiaľ je toto zariadenie montované do čiastočne obsadeného montážneho rámu, obsadzujte montážny rám v smere zdola nahor tak, aby bola najťažšia súčasť najnižšie.
 - Pokiaľ je montážny rám vybavený stabilizačnými zariadeniami, nainštalujte stabilizátory ešte pred montážou alebo opravou zariadenia v montážnom ráme.

Equipment Installation Warning



Warning

Only trained and qualified personnel should be allowed to install, replace, or service this equipment. Statement 1030

Waarschuwing

Deze apparatuur mag alleen worden geïnstalleerd, vervangen of hersteld door bevoegd geschoold personeel.

Varoitus

Tämän laitteen saa asentaa, vaihtaa tai huoltaa ainoastaan koulutettu ja laitteen tunteva henkilökunta.

Attention

Il est vivement recommandé de confier l'installation, le remplacement et la maintenance de ces équipements à des personnels qualifiés et expérimentés.

Warnung

Das Installieren, Ersetzen oder Bedienen dieser Ausrüstung sollte nur geschultem, qualifiziertem Personal gestattet werden.

Avvertenza	Questo apparato può essere installato, sostituito o mantenuto unicamente da un personale competente.
Advarsel	Bare opplært og kvalifisert personell skal foreta installasjoner, utskiftninger eller service på dette utstyret.
Aviso	Apenas pessoal treinado e qualificado deve ser autorizado a instalar, substituir ou fazer a revisão deste equipamento.
¡Advertencia!	Solamente el personal calificado debe instalar, reemplazar o utilizar este equipo.
Varning!	Endast utbildad och kvalificerad personal bör få tillåtelse att installera, byta ut eller reparera denna utrustning.
Figyelem	A berendezést csak szakképzett személyek helyezhetik üzembe, cserélhetik és tarthatják karban.
Предупреждение	Установку, замену и обслуживание этого оборудования может осуществлять только специально обученный квалифицированный персонал.
警告	只有经过培训且具有资格的人员才能进行此设备的安装、更换和维修。
警告	この装置の設置、交換、保守は、訓練を受けた相応の資格のある人が行ってください。
주의	교육을 받고 자격을 갖춘 사람만 이 장비를 설치, 교체, 또는 서비스를 수행해야 합니다.
Aviso	Somente uma equipe treinada e qualificada tem permissão para instalar, substituir ou dar manutenção a este equipamento.
Advarsel	Kun uddannede personer må installere, udskifte komponenter i eller servicere dette udstyr.
تحذير	يسمح للمنيين المتخصصين فقط بتركيب المعدة أو استبدالها أو إجراء الصيانة عليها.
Upozorenje	Uređaj smije ugrađivati, mijenjati i servisirati samo za to obučeno i osposobljeno servisno osoblje.
Upozornění	Instalaci, výměnu nebo opravu tohoto zařízení směji provádět pouze proškolené a kvalifikované osoby.
Προειδοποίηση	Η τοποθέτηση, η αντικατάσταση και η συντήρηση του εξοπλισμού επιτρέπεται να γίνονται μόνο από καταρτισμένο προσωπικό με τα κατάλληλα προσόντα.
אזהרה	רק עובדים מיומנים ומוסמכים רשאים להתקין, להחליף, או לטפל בציוד זה.

Оророна	Местењето, заменувањето и сервисирањето на оваа опрема треба да му биде дозволено само на обучен и квалификуван персонал.
Ostrzeżenie	Do instalacji, wymiany i serwisowania tych urządzeń mogą być dopuszczone wyłącznie osoby wykwalifikowane i przeszkolone.
Upozornenie	Inštaláciu, výmenu alebo opravu tohto zariadenia smú vykonávať iba vyškolené a kvalifikované osoby.
<hr/>	
Figyelem	A berendezést csak szakképzett személyek helyezhetik üzembe, cserélhetik és tarthatják karban.
Предупреждение	Установку, замену и обслуживание этого оборудования может осуществлять только специально обученный квалифицированный персонал.
警告	只有经过培训且具有资格的人员才能进行此设备的安装、更换和维修。
警告	この装置の設置、交換、保守は、訓練を受けた相応の資格のある人が行ってください。
주의	교육을 받고 자격을 갖춘 사람만 이 장비를 설치, 교체, 또는 서비스를 수행해야 합니다.
تحذير	يسمح للفنيين المتخصصين فقط بتركيب المعدة أو استبدالها أو إجراء الصيانة عليها.
Upozorenje	Uređaj smije ugrađivati, mijenjati i servisirati samo za to obučeno i osposobljeno servisno osoblje.
Upozornění	Instalaci, výměnu nebo opravu tohoto zařízení smějí provádět pouze proškolené a kvalifikované osoby.
Προειδοποίηση	Η τοποθέτηση, η αντικατάσταση και η συντήρηση του εξοπλισμού επιτρέπεται να γίνονται μόνο από καταρτισμένο προσωπικό με τα κατάλληλα προσόντα.
אזהרה	רק עובדים מיומנים ומוסמכים רשאים להתקין, להחליף, או לטפל בציוד זה.
Оророна	Местењето, заменувањето и сервисирањето на оваа опрема треба да му биде дозволено само на обучен и квалификуван персонал.

- Ostrzeżenie** Do instalacji, wymiany i serwisowania tych urządzeń mogą być dopuszczone wyłącznie osoby wykwalifikowane i przeszkolone.
- Upozornenie** Inštaláciu, výmenu alebo opravu tohto zariadenia smú vykonávať iba vyškolené a kvalifikované osoby.
-

Battery Handling



Warning

There is the danger of explosion if the battery is replaced incorrectly. Replace the battery only with the same or equivalent type recommended by the manufacturer. Dispose of used batteries according to the manufacturer's instructions. Statement 1015

Waarschuwing

Er is ontploffingsgevaar als de batterij verkeerd vervangen wordt. Vervang de batterij slechts met hetzelfde of een equivalent type dat door de fabrikant aanbevolen is. Gebruikte batterijen dienen overeenkomstig fabrieksvoorschriften weggegooid te worden.

Varoitus

Räjähdyksen vaara, jos akku on vaihdettu väärään akkuun. Käytä vaihtamiseen ainoastaan samantai vastaavantyyppistä akkua, joka on valmistajan suosittelema. Hävitä käytetyt akut valmistajan ohjeiden mukaan.

Attention

Danger d'explosion si la pile n'est pas remplacée correctement. Ne la remplacer que par une pile de type semblable ou équivalent, recommandée par le fabricant. Jeter les piles usagées conformément aux instructions du fabricant.

Warnung

Bei Einsetzen einer falschen Batterie besteht Explosionsgefahr. Ersetzen Sie die Batterie nur durch den gleichen oder vom Hersteller empfohlenen Batterietyp. Entsorgen Sie die benutzten Batterien nach den Anweisungen des Herstellers.

Avvertenza

Pericolo di esplosione se la batteria non è installata correttamente. Sostituire solo con una di tipo uguale o equivalente, consigliata dal produttore. Eliminare le batterie usate secondo le istruzioni del produttore.

Advarsel

Det kan være fare for eksplosjon hvis batteriet skiftes på feil måte. Skift kun med samme eller tilsvarende type som er anbefalt av produsenten. Kasser brukte batterier i henhold til produsentens instruksjoner.

Aviso

Existe perigo de explosão se a bateria for substituída incorrectamente. Substitua a bateria por uma bateria igual ou de um tipo equivalente recomendado pelo fabricante. Destrua as baterias usadas conforme as instruções do fabricante.

¡Advertencia!

Existe peligro de explosión si la batería se reemplaza de manera incorrecta. Reemplazar la batería exclusivamente con el mismo tipo o el equivalente recomendado por el fabricante. Desechar las baterías gastadas según las instrucciones del fabricante.

Battery Handling

Varning! Explosionsfara vid felaktigt batteribyte. Ersätt endast batteriet med samma batterityp som rekommenderas av tillverkaren eller motsvarande. Följ tillverkarens anvisningar vid kassering av använda batterier.

Figyelem Robbanásveszélyt idézhet elő, ha helytelenül cserélik ki az akkumulátort. Csak a gyártó által javasolttal megegyező vagy azzal egyenértékű típusúra cserélje ki az akkumulátort! A használt akkumulátorok kidobásakor tartsa be a gyártó előírásait!

Предупреждение При неправильной замене батареи возможен взрыв. Для замены следует использовать батарею того же или аналогичного типа, рекомендованного изготовителем. Утилизацию батареи необходимо производить в соответствии с указаниями изготовителя.

警告 電池更換不當會有爆炸危險。請只用同類電池或製造商推薦的功能相當的電池更換原有電池。請按製造商的說明處理廢舊電池。

警告 不適切なバッテリーに交換すると、爆発の危険性があります。製造元が推奨するものと同じまたは同等のバッテリーだけを使用してください。使用済みのバッテリーは、製造元が指示する方法に従って処分してください。

警告 電池替換錯誤可能會發生爆炸。僅限以製造商建議的同樣或同款電池替換，並遵照製造商的指示處理使用過的電池。

Figyelem Robbanásveszélyt idézhet elő, ha helytelenül cserélik ki az akkumulátort. Csak a gyártó által javasolttal megegyező vagy azzal egyenértékű típusúra cserélje ki az akkumulátort! A használt akkumulátorok kidobásakor tartsa be a gyártó előírásait!

Предупреждение При неправильной замене батареи возможен взрыв. Для замены следует использовать батарею того же или аналогичного типа, рекомендованного изготовителем. Утилизацию батареи необходимо производить в соответствии с указаниями изготовителя.

警告 電池更換不當會有爆炸危險。請只用同類電池或製造商推薦的功能相當的電池更換原有電池。請按製造商的說明處理廢舊電池。

警告 不適切なバッテリーに交換すると、爆発の危険性があります。製造元が推奨するものと同じまたは同等のバッテリーだけを使用してください。使用済みのバッテリーは、製造元が指示する方法に従って処分してください。

警告 電池替換錯誤可能會發生爆炸。僅限以製造商建議的同樣或同款電池替換，並遵照製造商的指示處理使用過的電池。

Product Disposal


Warning

Ultimate disposal of this product should be handled according to all national laws and regulations.
Statement 1040

Waarschuwing

Het uiteindelijke wegruimen van dit product dient te geschieden in overeenstemming met alle nationale wetten en reglementen.

Varoitus

Tämä tuote on hävitettävä kansallisten lakien ja määräysten mukaisesti.

Attention

La mise au rebut ou le recyclage de ce produit sont généralement soumis à des lois et/ou directives de respect de l'environnement. Renseignez-vous auprès de l'organisme compétent.

Warnung

Die Entsorgung dieses Produkts sollte gemäß allen Bestimmungen und Gesetzen des Landes erfolgen.

Avvertenza

Lo smaltimento di questo prodotto deve essere eseguito secondo le leggi e regolazioni locali.

Advarsel

Endelig kassering av dette produktet skal være i henhold til alle relevante nasjonale lover og bestemmelser.

Aviso

Deitar fora este produto em conformidade com todas as leis e regulamentos nacionais.

¡Advertencia!

Al deshacerse por completo de este producto debe seguir todas las leyes y reglamentos nacionales.

Varning!

Vid deponering hanteras produkten enligt gällande lagar och bestämmelser.

Figyelem

A készülék végső elhelyezéséről az adott országban érvényes törvények és előírások szerint kell intézkedni.

Предупреждение

Окончательная установка данного изделия должна выполняться в соответствии со всеми региональными и местными правилами и нормами.

警告

本产品的废弃处理应根据所有国家的法律和规章进行。

警告

この製品を廃棄処分する際は、各国の法律および規制に従って取り扱ってください。

주의

시스템을 전원에 연결하기 전에 설치 지침을 읽으십시오.

Aviso

O descarte definitivo deste produto deve estar de acordo com todas as leis e regulamentações nacionais.

Advarsel

Endelig bortskaffelse af dette produkt skal ske i henhold til gældende love og regler.

Product Disposal

تحذير عند التخلص من المنتج يجب اتباع القوانين والتشريعات المحلية.

Upozorenje Zbrinjavanje ovoga proizvoda u otpad treba provesti u skladu s važećim zakonima i odredbama.

Upozornění **Upozornění: Likvidace tohoto výrobku musí být provedena podle platných zákonů a předpisů.**

Προειδοποίηση Η τελική απόρριψη αυτού του προϊόντος πρέπει να γίνεται σύμφωνα με όλους τους εθνικούς νόμους και κανονισμούς.

אזהרה סילוק סופי של מוצר זה חייב להיות בהתאם להנחיות ולחוקי המדינה.

Opomena Крајното фрлање на овој производ треба да се изврши во согласност со сите национални закони и прописи.

Ostrzeżenie **Ostateczna likwidacja tego urządzenia po jego wycofaniu z eksploatacji powinna odbywać się zgodnie z przepisami krajowymi.**

Upozornenie **Upozornenie Likvidácia tohto výrobku musí byť vykonaná podľa platných zákonov a predpisov.**

Opozorilo **Uničenje izdelka, ki ni več uporaben, mora potekati po državnih zakonih in predpisih.**

警告 本產品的最終處理必須遵照國家/地區的所有法律與法規。

Figyelem **A készülék végső elhelyezéséről az adott országban érvényes törvények és előírások szerint kell intézkedni.**

Предупреждение Окончательная установка данного изделия должна выполняться в соответствии со всеми региональными и местными правилами и нормами.

警告 本產品的廢棄處理應根據所有國家的法律和規章進行。

警告 この製品を廃棄処分する際は、各国の法律および規制に従って取り扱ってください。

주의 해당 국가의 관련 법규 및 규정에 따라 이 장치를 폐기해야 합니다.

تحذير	عند التخلص من المنتج يجب اتباع القوانين والتشريعات المحلية.
Upozorenje	Zbrinjavanje ovoga proizvoda u otpad treba provesti u skladu s važećim zakonima i odredbama.
Upozornění	Upozornění: Likvidace tohoto výrobku musí být provedena podle platných zákonů a předpisů.
Προειδοποίηση	Η τελική απόρριψη αυτού του προϊόντος πρέπει να γίνεται σύμφωνα με όλους τους εθνικούς νόμους και κανονισμούς.
אזהרה	סילוק סופי של מוצר זה חייב להיות בהתאם להנחיות ולחוקי המדינה.
Opomena	Крајното фрлање на овој производ треба да се изврши во согласност со сите национални закони и прописи.
Ostrzeżenie	Ostateczna likwidacja tego urządzenia po jego wycofaniu z eksploatacji powinna odbywać się zgodnie z przepisami krajowymi.
Upozornenie	Upozornenie Likvidácia tohto výrobku musí byť vykonaná podľa platných zákonov a predpisov.
Opozorilo	Uničenje izdelka, ki ni več uporaben, mora potekati po državnih zakonih in predpisih.
警告	本產品的最終處理必須遵照國家/地區的所有法律與法規。

Power Cable and AC Adapter

接続ケーブル、電源コード、ACアダプタなどの部品は、必ず添付品または指定品をご使用ください。添付品・指定品以外の部品をご使用になると故障や動作不良、火災の原因となります。また、電気用品安全法により、当該法の認定（PSEとコードに表記）でなくUL認定（ULとコードに表記）の電源ケーブルは弊社が指定する製品以外の電気機器には使用できないためご注意ください。

Statement 371

Class 1 Laser Product



Warning **Class 1 laser product.** Statement 1008

Waarschuwing **Klasse-1 laser produkt.**

Varoitus **Luokan 1 lasertuote.**

Attention **Produit laser de classe 1.**

Warnung **Laserprodukt der Klasse 1.**

Avvertenza **Prodotto laser di Classe 1.**

Advarsel **Laserprodukt av klasse 1.**

Aviso **Produto laser de classe 1.**

¡Advertencia! **Producto láser Clase I.**

Varning! **Laserprodukt av klass 1.**

Figyelem **Class 1 besorolású lézeres termék.**

Предупреждение **Лазерное устройство класса 1.**

警告 **这是 1 类激光产品。**

警告 **クラス1レーザー製品です。**

주의 **클래스 1 레이저 제품.**

Aviso **Produto a laser de classe 1.**

Advarsel **Klasse 1 laserprodukt.**

تحذير **Class 1 Laser منتج**

Upozorenje **Laserski proizvod klase 1**

Upozornění **Laserový výrobek třídy 1.**

Προειδοποίηση	Προϊόν λέιζερ κατηγορίας 1.
אזהרה	מוצר לייזר Class 1.
Opomena	Ласерски производ од класа 1.
Ostrzeżenie	Produkt laserowy klasy 1.
Upozornenie	Laserový výrobok triedy 1.
Opozorilo	Laserski izdelek 1. razreda.
警告	類別 1 雷射產品。
Предупреждение	Лазерен продукт от клас 1.

Statement 1051—Laser Radiation



Warning

Invisible laser radiation may be emitted from disconnected fibers or connectors. Do not stare into beams or view directly with optical instruments. Statement 1051

Waarschuwing

Losgekoppelde of losgeraakte glasvezels of aansluitingen kunnen onzichtbare laserstraling produceren. Kijk niet rechtstreeks in de straling en gebruik geen optische instrumenten rond deze glasvezels of aansluitingen.

Varoitus

Irrotetuista kuiduista tai liittimistä voi tulla näkymätöntä lasersäteilyä. Älä tuijota säteitä tai katso niitä suoraan optisilla välineillä.

Attention

Les fibres ou connecteurs débranchés risquent d'émettre des rayonnements laser invisibles à l'œil. Ne regardez jamais directement les faisceaux laser à l'œil nu, ni d'ailleurs avec des instruments optiques.

Warnung

Unterbrochene Fasern oder Steckerverbindungen können unsichtbare Laserstrahlung abgeben. Blicken Sie weder mit bloßem Auge noch mit optischen Instrumenten direkt in Laserstrahlen.

Avvertenza

Le fibre ottiche ed i relativi connettori possono emettere radiazioni laser. I fasci di luce non devono mai essere osservati direttamente o attraverso strumenti ottici.

Advarsel

Det kan forekomme usynlig laserstråling fra fiber eller kontakter som er frakoblet. Stirr ikke direkte inn i strålene eller se på dem direkte gjennom et optisk instrument.

Aviso	Radiação laser invisível pode ser emitida de conectores ou fibras desconectadas. Não olhe diretamente para os feixes ou com instrumentos ópticos.
¡Advertencia!	Es posible que las fibras desconectadas emitan radiación láser invisible. No fije la vista en los rayos ni examine éstos con instrumentos ópticos.
Varning!	Osynlig laserstrålning kan avges från frånkopplade fibrer eller kontaktdon. Rikta inte blicken in i strålar och titta aldrig direkt på dem med hjälp av optiska instrument.
Figyelem	A nem csatlakoztatott üvegszálak és csatlakozók láthatatlan lézersugárzást bocsáthatnak ki. Ne nézzen bele a sugárba, és ne nézze közvetlenül, optikai berendezések segítségével!
Предупреждение	Отключенные световоды и разъемы могут испускать невидимое лазерное излучение. Не допускайте попадания лазерного луча в глаза и не смотрите на него через оптические приборы.
警告	断开的光纤或接头有可能发出不可见的激光辐射。请勿直视光束或直接用光学仪器观看光束。
警告	光ファイバ ケーブルまたはコネクタを取り外した状態では、目に見えないレーザー光が放射されていることがあります。光線をのぞきこんだり、光学機器を使用して光線を直接見たりしないでください。



Regulatory Information

This appendix provides regulatory information for the Cisco 8510 Wireless Controller.

FCC Statement for Cisco 8510 Wireless Controller

This equipment has been tested and found to comply with the limits for a Class A digital device, pursuant to Part 15 of the FCC Rules. These limits are designed to provide reasonable protection against harmful interference when the equipment is operated in a commercial environment. This equipment generates, uses, and can radiate radio frequency energy and, if not installed and used in accordance with the instruction manual, may cause harmful interference to radio communications. Operation of this equipment in a residential area is likely to cause harmful interference in which case the user will be required to correct the interference at his own expense.

Declaration of Conformity with Regard to the EU Directive 1999/5/EC (R&TTE Directive)

This declaration is only valid for configurations (combinations of software, firmware and hardware) provided and/or supported by Cisco Systems. The use software or firmware not supported/provided by Cisco Systems may result that the equipment is no longer compliant with the regulatory requirements.

Statement 191—VCCI Class A Warning for Japan

**Warning**

This is a Class A product based on the standard of the Voluntary Control Council for Interference by Information Technology Equipment (VCCI). If this equipment is used in a domestic environment, radio disturbance may arise. When such trouble occurs, the user may be required to take corrective actions.

警告

この装置は、クラスA情報技術装置です。この装置を家庭環境で使用すると電波妨害を引き起こすことがあります。この場合には使用者が適切な対策を講ずるよう要求されることがあります。

VCCI-A