



CHAPTER 28

Network Management

Revised: February 29, 2012; OL-21733-18

Network management is a service consisting of a wide variety of tools, applications, and products to assist network system administrators in provisioning, operating, monitoring and maintaining new and existing network deployments. A network administrator faces many challenges when deploying and configuring network devices and when operating, monitoring, and reporting on the health of the network infrastructure and components such as routers, servers, switches and so forth. Network management helps system administrators monitor each network device and network activity so that they can isolate and investigate problems in a timely manner for better performance and productivity.

With the convergence of rich media and data, the need for unified management is greater than ever. The Cisco Unified Communications Management Suite offers a set of integrated tools that help to test, deploy, and monitor the Cisco Unified Communications system. A network manager implements the various management phases to strategically manage the performance and availability of Cisco Unified Communications applications including voice, video, contact center, and rich media applications. The network management phases typically include: plan, design, implement, and operate (PDIO). [Table 28-1](#) lists the PDIO phases and the major tasks involved with each phase.

Table 28-1 Network Management Phases and Tasks

Plan & Design	Implement	Operate
Assess the network infrastructure for Cisco Unified Communications capability. For example, predict overall call quality.	Deploy and provision Cisco Unified Communications. For example, configure the dial plan, partitioning, user features, and so forth.	Manage changes for users, services, IP phones, and so forth.
Prepare the network to support Cisco Unified Communications.	Enable features and functionality on the existing infrastructure to support Cisco Unified Communications. For example, configure voice ports, gateway functionality on routers, and so forth.	Generate reports for operations, capacity planning, executive summaries, and so forth.
Analyze network management best practices.		Track and report on user experiences. For example, use sensors to monitor voice quality.
		Monitor and diagnose problems such as network failures, device failures, call routing issues, and so forth.

This chapter provides the design guidance for the following management tools and products that fit into the implementation and operation phases of Cisco Unified Communications Management:

- Implement & Operate
 - Cisco Prime Unified Provisioning Manager (Unified PM) manages provisioning of initial deployments and ongoing operational activation for IP communications services. For details, refer to the related product documentation available at http://www.cisco.com/en/US/products/ps7125/tsd_products_support_series_home.html.
- Operate
 - Cisco Prime Unified Operations Manager (Unified OM) provides comprehensive monitoring with proactive and reactive diagnostics for the entire Cisco Unified Communications system. For details, refer to the related product documentation available at http://www.cisco.com/en/US/products/ps6535/tsd_products_support_series_home.html.
 - Cisco Prime Unified Service Monitor (Unified SM) provides a reliable method of monitoring and evaluating voice quality in Cisco Unified Communications systems. For details, refer to the related product documentation available at http://www.cisco.com/en/US/products/ps6536/tsd_products_support_series_home.html.
 - Cisco Unified Service Statistics Manager (Unified SSM) provides advanced statistics analysis and reporting capabilities for Cisco Unified Communications deployments. For details, refer to the related product documentation available at http://www.cisco.com/en/US/products/ps7285/tsd_products_support_series_home.html.

The Unified OM, Unified PM and Unified SM 8.7 products are now Cisco Prime compliant. Cisco Prime compliance involves meeting the following criteria:

- Prime experience
 - Consistent look and feel across the Cisco Prime portfolio
- Simplified navigation
 - Provisioning: Consolidated view of system, capacity, and actions
 - Monitoring: At-a-glance Unified Communications Services dashboard
- Integrated best practices
 - Faster branch roll-outs
 - Reduce time to troubleshoot core Unified Communications issues
- Service-centric foundation
 - Drill down from service issues to root-cause network element

For information on which software versions are supported with Cisco Unified Communications Manager (Unified CM), refer to the *Cisco Unified Communications Manager Software Compatibility Matrix*, available at

http://www.cisco.com/en/US/docs/voice_ip_comm/cucm/compat/ccmcompmatr.html

What's New in This Chapter

Table 28-2 lists the topics that are new in this chapter or that have changed significantly from previous releases of this document.

Table 28-2 *New or Changed Information Since the Previous Release of This Document*

New or Revised Topic	Described in:	Revision Date
Cisco Prime compliance	Various sections throughout this chapter	February 29, 2012
Trunk utilization	Trunk Utilization, page 28-11	June 2, 2011
Cisco Unified Analysis Manager	Cisco Unified Analysis Manager, page 28-21	April 2, 2010
Cisco Unified Reporting	Cisco Unified Reporting, page 28-22	April 2, 2010
Monitoring of virtualized Unified Communications Systems by Cisco Unified Operations Manager	Cisco Prime Unified Operations Manager, page 28-4	April 2, 2010

Network Infrastructure Requirements for Cisco Unified Network Management Applications

A well designed network is the foundation for operating and managing a Cisco Unified Communications network. Cisco highly recommends that you design your Cisco Unified Communications network to conform to the following strict requirements:

- Average IP packet loss $\leq 1\%$
- Average delay variation (jitter) ≤ 30 ms
- Average one-way packet delay ≤ 150 ms

You should enable Domain Name Service (DNS) in the network to perform a reverse lookup on the IP address of the device to get the hostname for the device. If DNS is not desired, then host files may be used for IP address-to-hostname resolution.

Network Time Protocol (NTP) must be implemented to allow network devices to synchronize their clocks to a network time server or network-capable clock. NTP is a critical network service for network operation and management because it ensures accurate time-stamps within all logs, traps, polling, and reports on devices throughout the network.

You should enable Cisco Discovery Protocol (CDP) within the network to ensure proper monitoring. Unified OM's automated device discovery is based on a CDP table. Ping Sweep may be used instead of CDP, but IP phones discovered using Ping Sweep are reported in "unmanaged" state. Simple Network Management Protocol (SNMP) must also be enabled on network devices to allow Cisco Unified OM to get information on network devices at configured polling intervals and to receive alerts and faults via trap notification sent by the managed devices.

Trivial File Transfer Protocol (TFTP) must be enabled in the network for deployments with Cisco 1040 Sensors. TFTP provides the Cisco 1040 Sensor with a TFTP-based process to download its configuration files.

For more information on Cisco Unified Communications network requirements, see the chapter on [Network Infrastructure, page 3-1](#).

Cisco Prime Unified Operations Manager

Cisco Prime Unified Operations Manager (Unified OM) provides a unified view of the entire Cisco Unified Communications infrastructure and presents the current operational status of each element of the Cisco Unified Communications network. Unified OM also provides diagnostic capabilities for faster problem isolation and resolution. In addition to monitoring Cisco gateways, routers, and switches, Unified OM continuously monitors the operational status of various Cisco Unified Communications elements such as:

- Cisco Unified Communications Manager (Unified CM)
- Cisco Unified Communications Manager Express (Unified CME)
- Cisco Unified Communications Manager Session Management Edition
- Cisco Unity and Unity Connection
- Cisco Unity Express
- Cisco Unified Contact Center Enterprise (Unified CCE), Unified Contact Center Express (Unified CCX), and Unified Customer Voice Portal (Unified CVP)



Note Cisco Operations Manager Service Level View does not support multiple Cisco Unified System Contact Center Enterprise (SCCE) deployments.

- Cisco Unified Presence
- Cisco Emergency Responder
- Cisco Unified MeetingPlace and Unified MeetingPlace Express
- Cisco Unified Border Element
- Cisco Unified Endpoints



Note

Unified OM supports Unified Communications applications running in a virtualized environment but does not provide monitoring of VMware.

For more information on the supported products (particularly Cisco endpoints) and versions supported by Unified OM, refer to the Cisco Prime Unified Operations Manager data sheet available at

http://www.cisco.com/en/US/products/ps6535/products_device_support_tables_list.html

One protocol Unified OM uses to monitor the Unified Communications elements is Simple Network Management Protocol (SNMP). SNMP is an application-layer protocol using UDP as the transport layer protocol. There are three key elements in SNMP managed network:

- Managed devices — Network devices that have an SNMP agent (for example, Unified CM, routers, switches, and so forth).
- Agent — A network management software module that resides in a managed device. This agent translates the local management information on the device into SNMP messages.
- Manager — Software running on a management station that contacts different agents in the network to get the management information (for example, Unified OM).

The SNMP implementation supports three versions: SNMP v1, SNMP v2c, and SNMP v3. SNMP v3 supports authentication, encryption, and message integrity. SNMP v3 may be used if security is desired for management traffic. Unified OM supports all three versions of SNNP. SNMP v1 and v2c read/write

community strings or SNMP v3 credentials must be configured on each device for agent and manager to communicate properly. Unified OM needs only SNMP read access to collect network device information.

For more information on SNMP, refer to the *User Guide for Cisco Prime Unified Operations Manager*, available at

http://www.cisco.com/en/US/products/ps6535/products_user_guide_list.html

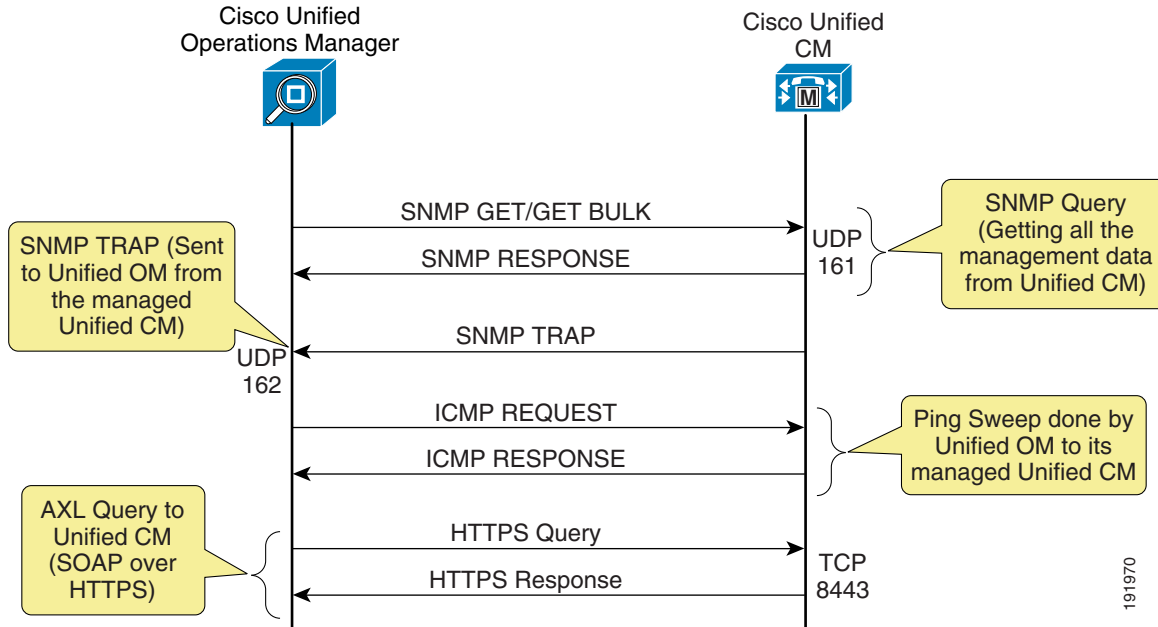
Cisco Prime Unified Operations Manager Design Considerations

Unified OM interfaces with other devices in the network in the following ways:

- Simple Network Management protocol (SNMP) to manage all Cisco Unified Communications servers, gateways, and switches.
- Administrative XML Layer (AXL) to manage Unified CM. AXL is implemented as a Simple Object Access Protocol (SOAP) over HTTPS web service.
- HTTP to the IP phone to collect serial number and switch information. HTTP must be enabled on the IP phones.
- Enhanced event processing with Cisco Unified CM remote syslog integration, and leveraging the Cisco Real-Time Monitoring Tool (RTMT) interface for pre-collected Unified CM cluster-wide data
- Skinny Client Control Protocol (SCCP) and Session Initiation Protocol (SIP) to Cisco Unified IP Phones for synthetic tests.
- Internet Control Message Protocol (ICMP) or Ping Sweep for Cisco IOS routers and switches, and for other voice as well as non-voice devices.
- Windows Management Instrumentation (WMI) for Cisco Unity servers.

Figure 28-1 shows the system-level overview of Unified OM how it leverages multiple interfaces with Unified CM to gather performance counters and alarms.

Figure 28-1 Unified OM and Unified CM System-Level Integration



Failover and Redundancy

Unified OM provides a choice of the following optional failover and redundancy configurations:

- Warm standby — All unified OM servers are active and polling
- Cold standby — Only one Unified OM server is active and polling

In warm standby mode, one backup Unified OM server can be deployed in the network. All the Unified OM servers are actively polling or collecting information from the network devices. Cisco recommends having a default polling interval on one of the active Unified OM servers, which is referred to as the primary Unified OM server. All the other active or secondary Unified OM servers must be configured with a longer polling interval (for example, 15 minutes). This will help reduce the bandwidth needed for management data as well as prevent the managed devices from frequently responding to SNMP queries from multiple Unified OM servers. If the primary Unified OM server fails, the polling interval on the secondary Unified OM server can be reduced to resume normal operation and collection of data.

In cold standby mode, two or more Unified OM servers can be deployed in the network. Only one Unified OM server is actively polling or collecting information from the network devices. Cisco recommends having a default polling interval on the active Unified OM server, which is referred to as the primary Unified OM server. All the other secondary Unified OM servers are configured, but polling is disabled on these servers. If the primary Unified OM server fails, the polling on the secondary Unified OM server can be enabled to resume normal operation and collection of data.

In both modes, the secondary servers must be backed up periodically with the configuration on the primary servers. This keeps all the servers in synchronization with the configuration and reduces downtime if the primary Unified OM server fails.

Server platforms with dual Ethernet network interface cards (NICs) can support NIC teaming for Network Fault Tolerance with Unified OM. This feature allows a server to be connected to the Ethernet through two NICs and, therefore, two cables. NIC teaming prevents network downtime by transferring the workload from the failed port to the working port. NIC teaming cannot be used for load balancing or increasing the interface speed.

For more information on multiple server and redundant design considerations, refer to the document on *Unified Communications Operations Manager/Service Monitor Multiple Server and Redundant Design Considerations*, available at

http://www.cisco.com/en/US/prod/collateral/netmgts/ps6491/ps6705/ps6535/white_paper_c07-469725.html

Ports and Protocols

Table 28-3 lists the ports used by the various protocol interfaces for Cisco Prime Unified Operations Manager. Cisco recommends opening these ports in the corporate internal firewalls (if applicable) to allow communication between Unified OM and other devices in the network.

Table 28-3 Unified OM Port Utilization

Protocol	Port	Service
UDP	161	SNMP polling
UDP	162	SNMP traps
TCP	80	HTTP
TCP	443	HTTPS
TCP	1741	CiscoWorks HTTP server
UDP	514	Syslog
TCP	8080	Determining status of Unified CM web service
TCP	8443	SSL port between Unified CM and Unified OM

All the management traffic (SNMP) originating from Unified OM or managed devices is marked with a default marking of DSCP 0x00 (PHB 0). The goal of network management systems is to respond to any problem or misbehavior in the network. To ensure proper and reliable monitoring, network management data must be prioritized. Implementing QoS mechanisms ensures low packet delay, low loss, and low jitter. Cisco recommends marking the network management traffic with an IP Precedence of 2, or DSCP 0x16 (PHB CS2), and providing a minimal bandwidth guarantee. The DSCP value must be configured in the Windows Operating System.

If managed devices are behind a firewall, the firewall must be configured to allow management traffic. Unified OM has limited support in a network that uses Network Address Translation (NAT). Unified OM must have IP and SNMP connectivity from the Unified OM server to the NAT IP addresses for the devices behind the NAT. Unified OM 8.5 has static NAT support.

Bandwidth Requirements

Unified OM polls the managed devices for operational status information at every configured interval, and it has the potential to contain a lot of important management data. Bandwidth must be provisioned for management data, especially if you have many managed devices over a low-speed WAN. The amount

of traffic varies for different types of managed devices. For example, more management messages may be seen when monitoring a Unified CM as compared to monitoring a Cisco Voice Gateway. Also, the amount of management traffic will vary if the managed devices are in a monitored or partially monitored state and if any synthetic tests are performed. Unified OM 8.x has a Bandwidth Estimator that is available at

<http://www.cisco.com/web/applicat/ombwcalc/OMBWCalc.html>

Cisco Prime Unified Operations Manager Server Performance

Unified OM is supported in single-server mode. However, multiple Unified OM servers can be deployed to manage large networks. Each Unified OM can be configured to send management information to a higher-level “manager of managers”. For hardware requirements and capacity information for Unified OM, refer to the *Cisco Prime Unified Operations Manager Data Sheet*, available at

http://www.cisco.com/en/US/products/ps6535/products_data_sheets_list.html

Cisco Prime Unified Service Monitor

Cisco Prime Unified Service Monitor (Unified SM) monitors voice quality of calls on the Cisco Unified Communications network. It relies on Unified CM, Cisco 1040 Sensor, and Network Analysis Modules (NAMs) to monitor and gather voice quality statistics on real calls rather than simulated calls in the network. Then it compares the collected voice quality statistics against a predefined Mean Opinion Score (MOS) threshold. If the voice quality falls below the threshold, Unified SM sends SNMP trap messages to Unified OM to indicate that a potential issue has been identified. Unified SM is also responsible for sending voice quality information to Cisco Unified Service Statistics Manager (Unified SSM) so that Unified SSM can perform call data analysis and generate reports.



Note

A set of global call quality thresholds can be defined in Unified SM, one per supported codec type. Different thresholds can be grouped together based on the Cisco 1040 Sensor being implemented or the Unified CM cluster being monitored. Unified SM is bundled with Unified OM, and you may choose to install both Unified OM and Unified SM.

Voice Quality Measurement

Voice quality is the qualitative and quantitative measure of the sound and conversational quality of the IP phone call. Voice quality measurement describes and evaluates the clarity and intelligibility of voice conversations. Unified SM uses the Cisco 1040 Sensor, the Network Analysis Module (NAM), and Unified CM to monitor and report voice quality information.

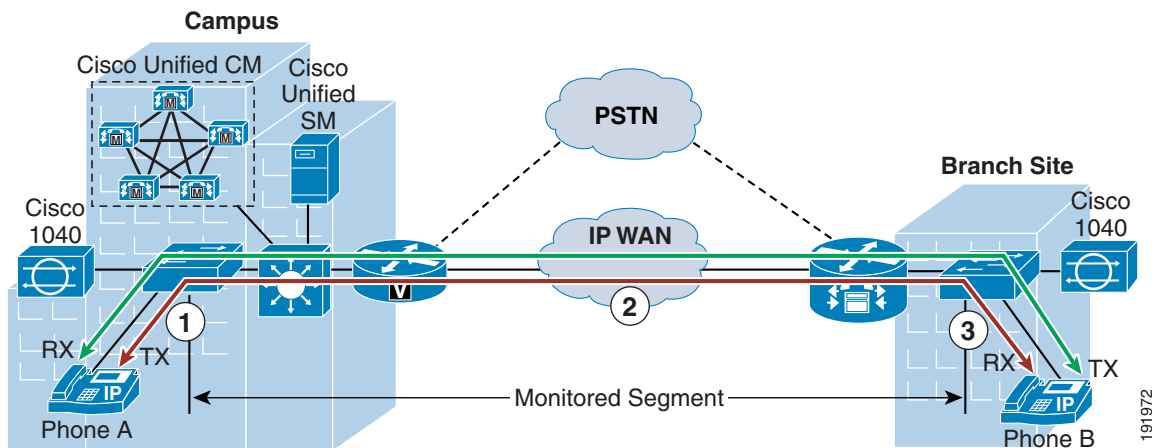
Cisco 1040 Sensor Voice Quality Monitoring

The Cisco 1040 Sensor is a hardware device that predicts a subjective quality rating that an average listener might experience on the VoIP calls. It operates by measuring various quality impairment metrics that are included in the IP header of RTP streams, such as packet loss, delay, jitter, and concealment ratio.

This computed quality rating is converted to a MOS value. The MOS value is included in Syslog messages that are sent to Unified SM every 60 seconds, thus the Cisco 1040 Sensor monitors the voice quality almost on a real-time basis.

The Cisco 1040 Sensor has two Fast Ethernet interfaces, one of which is used to manage the sensor itself and the other is connected to the Switch Port Analyzer (SPAN) port on the Cisco Catalyst switch to monitor the actual RTP streams. To monitor voice quality of calls across the WAN, you must deploy a pair of Cisco 1040 Sensors at both sides of the WAN cloud, as illustrated in [Figure 28-2](#).

Figure 28-2 Voice Quality Monitoring with the Cisco 1040 Sensor



There are two call legs, transmitting and receiving, for each phone. Each call leg can be divided into three segments along the call path. For example, for the transmitting call leg of phone A in [Figure 28-2](#), segment 1 runs between phone A and the campus access switch, segment 2 is between the two access switches, and segment 3 is between the access switch at the branch site and phone B. Segments 1 and 3 are within a local area network, which presents the fewest transmission impairments to voice quality. Therefore, it is reasonably safe to assume that voice quality degradation will not occur in these two segments, and it is unnecessary to monitor those RTP streams.

Segment 2 spans across the WAN circuit and several network devices along the call path. It is more likely to experience degradation of voice quality due to packet loss, delay, and jitter inherent in the WAN. Therefore, the RTP streams (from campus to branch) should be monitored by the Cisco 1040 Sensor at the branch site. By the same token, the sensor in the central site should monitor the incoming RTP streams in that segment across the WAN. These RTP streams provide important voice quality statistics, and their associated MOS values should be analyzed carefully.

Strategic vs. Tactical Monitoring

There are two strategies for deploying Cisco 1040 Sensors: strategic monitoring and tactical monitoring. With strategic monitoring, the Cisco 1040 Sensor is deployed to continuously monitor all or subsets of IP phones in the network. With tactical monitoring, the Cisco 1040 Sensor is deployed in a site where a voice quality issue has been identified. The Cisco 1040 Sensor complies with FCC Class-B standards, and it can be deployed easily in the enterprise environment.

In a small network, Cisco recommends deploying strategic monitoring to monitor all IP phones on a continuous basis. In a medium to large network, Cisco recommends deploying strategic monitoring to continuously monitor a subset of IP phones, while using tactical monitoring to troubleshoot any voice quality issues experienced by the rest of the IP phones.

Design Considerations for the Cisco 1040 Sensor

Consider the following design factors when deploying a Cisco 1040 Sensor:

- A Cisco 1040 Sensor can monitor 100 simultaneous RTP streams. By monitoring the incoming RTP stream only, as illustrated in [Figure 28-2](#), the Cisco 1040 Sensor can provide the full benefit of monitoring 100 (instead of 50) simultaneous voice calls. An environment with a high call volume tends to require the use of more Cisco 1040 Sensors.
- If there are more RTP streams than the Cisco 1040 Sensor can handle, the Cisco 1040 Sensor will randomly select RTP streams.
- The Cisco 1040 Sensor utilizes the SPAN port on the Cisco Catalyst Switch to monitor the actual RTP streams. Different types of Catalyst switches have different quantities of SPAN ports that can be configured. For example, a maximum of two SPAN ports can be configured on the Cisco Catalyst 6500 and 4500 switches, while the maximum limit for Cisco Catalyst 3550 switch is only one. Therefore, the types of Catalyst switches that have been deployed in the network will determine how many Cisco 1040 Sensors can be deployed.
- If there is a trunking connection between multiple Cisco Catalyst switches and if the call volume is low, there is no need to deploy a Cisco 1040 Sensor for every Catalyst switch. Remote Switch Port Analyzer (RSPAN) can be used so that a single Cisco 1040 Sensor can monitor IP phones on other switches within the same VLAN.
- It is inefficient to deploy a Cisco 1040 Sensor at every site that has just a few IP phones and a small call volume. In such cases, Cisco Enhanced Switched Port Analyzer (ESpan) can be used so that one Cisco 1040 Sensor can monitor voice streams across multiple networks.

Unified CM Voice Quality Monitoring

Unified CM utilizes the Cisco Voice Transmission Quality (CVTQ) algorithm to monitor voice quality. CVTQ is based on the Klirrfaktor (K-factor) method to estimate the MOS value of voice calls. At the end of each call, Unified CM stores the MOS value in Call Management Records (CMRs). The CMRs and Call Detail Records (CDRs) are transferred to Unified SM via Secure File Transfer Protocol (SFTP) every 60 seconds. To integrate with Unified CM, Unified SM must be configured as a Billing Application Server in the Unified CM Unified Serviceability configuration web page. Up to three Billing Application Servers can be configured per Unified CM cluster. The following settings must be configured for the Billing Application Server:

- Hostname or IP address of the Unified SM server
- Username and password for SFTP file transfer
- Protocol: SFTP
- Directory path on the Unified SM server to which CDR and CMR files are transferred

CVTQ is supported natively by Unified CM 7.x and Cisco Unified IP Phones running in both SCCP and SIP modes. The phone models that support CVTQ are listed in the compatibility information at

http://www.cisco.com/en/US/products/ps6535/products_device_support_tables_list.html

As a comparison to the Cisco 1040 Sensor, which performs a full-depth inspection on various quality impairment metrics, the K-factor method inspects only one dimension of quality impairments, packet loss, which is really a network effect. Thus, CVTQ is a less sophisticated algorithm than the one that the Cisco 1040 Sensor uses to monitor the quality of calls. Cisco recommends using CVTQ to flag a voice quality issue and using the Cisco 1040 Sensor to validate and troubleshoot the issue.

Cisco Network Analysis Module (NAM)

Cisco NAM is a traffic analysis module that leverages Remote Monitoring (RMON) and some SNMP Management Information Bases (MIBs) to enable network administrators to view all layers of the Unified Communications infrastructure to monitor, analyze, and troubleshoot applications and network services such as QoS for voice and video applications. Voice instrumentation added in Cisco NAM 4.0 enables NAM integration with Unified SM for call metrics through NAM-embedded data collection and performance analysis.

The Cisco NAM complements the Cisco Unified Communications Management Suite to deliver an enterprise-wide voice management solution. Cisco NAMs are available in different configurations for Cisco Catalyst 6000 Series, 7600 Series, and Integrated Services Routers. The NAM Appliances come with a graphical user interface for troubleshooting and analysis, and they provide a rich feature set for voice quality analysis with RTP and voice control and signaling monitoring. Table 28-4 lists the maximum number of concurrent RTP streams (single direction) that each type of NAM can support.

Table 28-4 Number of Supported Concurrent RTP Streams per NAM Type

Cisco NAM Type	1040 Sensor	NME-NAM	NAM-2	NAM 2204 Appliance	NAM 2220 Appliance
Number of concurrent RTP streams supported	100	100	400	1500	4000

Unified SM polls the NAM every 60 seconds for voice quality metrics. Unified SM consolidates the data collection module for both the Cisco 1040 Sensor and NAM, and it uses the same method for MOS calculation on both the Cisco 1040 Sensor and NAM. This enables Unified SM to correlate CDR and call stream reports from the Cisco 1040 Sensor and NAM for enhanced analysis.

For more information on Cisco NAM, refer to the following site:

<http://www.cisco.com/go/nam>

Trunk Utilization

Unified SM is tightly integrated with Unified OM and Cisco Unified Service Statistics Manager (Unified SSM). Unified SM provides the call information it collects to Unified SSM for long-term trending and reporting purposes and to Unified OM for real-time trunk utilization performance graphs. The call information is provided from the CDR and CMR records Unified SM gathers from Unified CM.

Failover and Redundancy

A primary and secondary Unified SM can be configured to provide redundancy and failover support to the Cisco 1040 Sensor. After missing three consecutive SCCP keepalive messages from the primary Unified SM, the Cisco 1040 Sensor will try to register with the secondary Unified SM. The Cisco 1040 Sensor will also send Syslog messages to the secondary Unified SM after the registration failover process succeeds.

You can configure up to three Unified SMs, or Billing Application Servers, in Unified CM. Failure of one Unified SM will not prevent the remaining two servers from obtaining CDR and CMR files from Unified CM.

**Note**

The Unified CM publisher server is responsible for transferring CDR and CMR files to Unified SM via SFTP. If the publisher server is unavailable, there is no failover mechanism for Unified SM to obtain the new CDR and CMR files that contain MOS values of calls in the Unified CM cluster. The Cisco Network Analysis Module (NAM) does not provide a secondary Unified SM for failover or high availability support.

Unified SM Server Performance

Unified SM operates only in single-server mode. However, multiple Unified SMs (all connected to Cisco Unified Operations Manager) can be deployed to manage large networks. For hardware requirements and information about Unified SM, refer to the *Cisco Prime Unified Service Monitor Data Sheet*, available at

http://www.cisco.com/en/US/products/ps6536/products_data_sheets_list.html

Unified SM supports the following voice quality monitoring capacities:

- Unified SM supports up to 50 Cisco 1040 Sensors.
- Unified SM supports up to 45,000 IP phones
- Unified SM supports any of the following scenarios:
 - 5,000 sensor-based RTP streams per minute (with Cisco 1040 Sensors or NAM modules)
 - 1,600 CVTQ-based calls per minute
 - 1,500 RTP streams and 666 CVTQ calls per minute
- Unified SM automatically selects and gathers voice quality information (via CDR and CMR files) for all Cisco Unified IP Phones configured in a given Unified CM cluster. There is no configuration option to monitor only certain IP phones in the cluster.

**Note**

When Unified SM is operating at full capacity, its projected database growth (for Syslog, CDR, and CMR files) is estimated to be about 2.4 GB per day.

Ports and Protocol

Table 28-5 lists the ports used by the various protocol interfaces for Cisco Unified Service Monitor. Cisco recommends opening these ports in the corporate internal firewalls (if applicable) to allow communication between Unified SM and other devices in the network.

Table 28-5 Unified SM Port Utilization

Protocol	Port	Service
TCP	80	HTTP
TCP	443	HTTPS
TCP	1741	CiscoWorks HTTP server
UDP	22	SFTP
UDP	162	SNMP traps
TCP	43459	Database

Table 28-5 Unified SM Port Utilization (continued)

Protocol	Port	Service
UDP	5666	Syslog ¹
TCP	2000	SCCP ²
UDP	69	TFTP ³

1. Unified SM receives Syslog messages from the Cisco 1040 Sensor.
2. Unified SM communicates with the Cisco 1040 Sensor via SCCP.
3. The Cisco 1040 Sensor downloads its configuration file via TFTP.

**Note**

The Cisco NAM is accessed remotely over HTTPS with a non-default port. Unified SM will authenticate with each Cisco NAM and maintain the HTTP/S session.

Comparison of Voice Quality Monitoring Methods

Cisco 1040 Sensors, CVTQ, and NAM complement each other and provide a total solution for voice quality measurement. The following list notes key differences between voice quality monitoring with the Cisco 1040 Sensor, CVTQ, and Cisco NAM:

- The Cisco 1040 Sensor monitors voice calls based on packet loss, delay, jitter, and concealment ratio. CVTQ monitors voice calls based on packet loss only.
- The Cisco 1040 Sensor and Cisco NAM provide voice quality statistics every 60 seconds. CVTQ provides voice quality statistics after the call is completed.
- The Cisco 1040 Sensor is compatible with all Cisco Unified CM releases and all types of endpoints connecting to the Cisco Catalyst switch. CVTQ supports only Unified CM 4.2 and later releases.
- For inter-cluster calls, the Cisco 1040 Sensor monitors the end-to-end call segment. CVTQ monitors only the call segment within its own cluster.
- Cisco recommends using the Cisco 1040 Sensor to monitor key IP phone devices, gateway devices, and application servers in the network and to investigate and troubleshoot voice quality issues. CVTQ-based voice quality monitoring should be used to gauge the overall voice call quality in the network.

Even if CVTQ is not used, Unified SM uses CDR information to correlate with the NAM report for the following metrics:

- Source and/or destination extension number
- Device types
- Interface through which the call flowed in case of call to or from a gateway
- Call disconnect reason, where possible
- Exact Unified CM server (not just the Unified CM cluster) to which the phone is connected

Cisco Unified Service Statistics Manager

The Cisco Unified Service Statistics Manager (Unified SSM) performs advanced call statistics analysis and generates reports for executives, operations, and capacity planning functions. Unified SSM is fully dependent on Unified OM and Unified SM to obtain call statistics information; therefore, Unified OM and Unified SM must be implemented and operating before you deploy Unified SSM. Unified SSM provides both out-of-the-box reports as well as customizable reports that provide visibility into key metrics such as call volume, service availability, call quality, resource and trunk utilization, and capacity across the Cisco Unified Communications system. For the detailed information on feature support and functionality, refer to the Cisco Unified Service Statistics Manager product documents available at <http://www.cisco.com>.

Integration with Unified OM and Unified SM

Unified SSM can integrate with only one Unified OM but with multiple Unified SMs. Unified SSM extracts call statistics data from Unified OM and Unified SM databases. The data extraction process is performed by the Unified SSM agent.

The Unified SSM agent facilitates communication between Unified SSM and Unified OM or Unified SM, and it is responsible for transmitting call statistics data from Unified OM or Unified SM to Unified SSM. Unified SSM then stores the extracted data in its own SQL database.

If Unified OM and Unified SM are deployed on the same Cisco Media Convergence Server (MCS) as Unified SSM, there is no need to install the Unified SSM agent on Unified OM or Unified SM. With such a co-resident deployment, Unified SSM is able to extract call statistic data directly from the Unified OM and Unified SM databases instead of transferring the data across the network.

If Unified OM and Unified SM are deployed separately from Unified SSM, then the Unified SSM agent must be installed on every instance of Unified OM and Unified SM. The executable installation file of the Unified SSM agent can be downloaded from the Unified SSM Web Administration page and installed locally on Unified OM and Unified SM. With Unified SSM agents distributed on Unified OM and Unified SM, Unified SSM is able to control and manage the data extraction process. Unified SSM connects all distributed Unified SSM agents via TCP on port 12124, and Unified SSM agents send call statistics data back to Unified SSM via TCP on port 12126.

There are two different data collection approaches within Unified SSM. The first approach is called *raw data collection*. With this approach, Unified SSM instructs the Unified SSM agent to retrieve all call statistics data directly from the Unified OM and Unified SM databases. All retrieved data is then saved in Unified SSM's database for up to 30 days. The advantage of this approach is that it provides Unified SSM with a comprehensive data source to perform detailed analysis and report generation.

The second approach is called *monitor-based data collection*. With this approach, Unified SSM instructs the Unified SSM agent to transfer the processed call statistics data only. The advantage of this approach is fewer traffic loads over the network, and the processed data can be stored in the Unified SSM database for up to three months. To process the original call statistics data in the Unified OM and Unified SM databases, a specific monitor instance must be created in the Unified SSM Administration console and that monitor instance must be associated with the appropriate Unified SSM agent. The monitor instance extracts only the data based on predefined attributes. For example, for Call Volume Monitor, the attributes include number of completed calls on-net, number of failed calls on-net, average duration per call on-net, and so forth. Each monitor instance has a unique list of predefined attributes. The monitor instance then polls and extracts the data every 15 minutes, and the Unified SSM agent aggregates the processed data from its associated monitor instance(s) and sends it to Unified SSM every 30 minutes.

For a comprehensive list on all attributes of each monitor type and its configuration guidelines, refer to the Cisco Unified Service Statistics Manager product documents available at <http://www.cisco.com>.

**Note**

Currently there is no redundancy or failover support with Unified SSM. Unified SSM can still provide reports for more than three months because data is not completely purged but is summarized or aggregated and kept in its database.

The following guidelines summarize the integration options for Unified SM, Unified OM, and Unified SSM:

- Unified SSM and Unified OM integrate 1 to 1.
- Unified SSM and Unified SM integrate 1 to 5.
- The Unified SM diagnostics page can launch the Unified OM device detail page for phones and gateways.
- Unified OM reports voice quality details for the NAM. Cross Launch to the NAM user interface from Unified OM quality alerts is supported.
- Unified SM integrates with the Unified OM Service Quality alert dashboard.
- Unified SM integrates with Unified SSM long-term reporting and trending functions.

Unified SSM Server Performance

Unified SSM operates only in a single-server mode. For hardware requirements and information about Unified SSM, refer to the *Cisco Unified Service Statistics Manager Data Sheet*, available at

http://www.cisco.com/en/US/products/ps7285/products_data_sheets_list.html

Ports and Protocol

Table 28-6 lists the ports used by the various protocol interfaces for Cisco Unified Service Statistics Manager. Cisco recommends opening these ports in the corporate internal firewalls (if applicable) to allow communication between Unified SSM and other devices in the network.

Table 28-6 Unified SSM Port Utilization

Protocol	Port	Service
TCP	48101	HTTP
TCP	48443	HTTPS
TCP	12123	Unified SSM Agent Controller Listener
TCP	12124	Unified SSM Agent Listener ¹
TCP	12125	Unified SSM and Unified SSM agent communication ²

1. Unified SSM connects all distributed Unified SSM agents.
2. Unified SSM agents send call statistics data back to Unified SSM.

Cisco Prime Unified Provisioning Manager

The Cisco Prime Unified Provisioning Manager (Unified PM) is a web-based provisioning application based on the Java 2 Enterprise Edition (J2EE) architecture. Unified PM provides a simplified web-based provisioning interface for both new and existing deployments of Cisco Unified Communications Manager (Unified CM), Cisco Unified Communications Manager Express (Unified CME), Cisco Unity, Cisco Unity Connection, and Cisco Unity Express. Unified PM provides provisioning for both the infrastructure and subscribers (or phone users) for Day 1 and Day 2 needs. Day 1 needs include configuring new deployments and adding more sites or locations; Day 2 needs include services for ongoing moves, adds, and changes on various components of the Cisco Unified Communications solution.

Cisco Prime Unified Provisioning Manager also exposes northbound APIs to allow Cisco and third parties to integrate with external applications such as HR systems, custom or branded user portals, other provisioning systems, and directory servers.

Unified PM can be installed in simple or advanced mode to support up to 60,000 phones and 120,000 lines. In simple mode, Unified PM is installed on one system as a single server to support up to 10,000 phones. Advanced mode allows a two-system installation, where the Unified PM database server is installed on one server and the web and application server are on a separate system to support 10,000 to 60,000 phones.

For more details on system requirements and installation steps, provisioning users and the infrastructure of supported components, and capacity information, refer to the Cisco Prime Unified Provisioning Manager documentation available at

<http://www.cisco.com/go/cupm>

To provide a better understanding of how Unified PM can be used as a network management solution for provisioning various Cisco Unified Communications components, the next section presents some of the basic concepts of Unified PM.

Unified PM Concepts

Unified PM serves as a provisioning interface for the following components of a Cisco Unified Communications system:

- Call processors
 - Cisco Unified Communication Manager (Unified CM)
 - Cisco Unified Communications Manager Express (Unified CME)
- Message processors
 - Cisco Unity
 - Cisco Unity Connection
 - Cisco Unity Express
- Presence processors
 - Cisco Unified Presence
 - Cisco Voice Gateways
 - Cisco VG224, VG204, and VG202 Analog Voice Gateways

**Note**

For more information on component version compatibility, refer to the Unified PM information at http://www.cisco.com/en/US/products/ps7125/products_device_support_tables_list.html.

The following sections describe some of the Unified PM concepts involved in configuring those components.

Domain

Domains are used for administrative purposes to create multiple logical groups within a system. Domains have the following characteristics:

- A domain can be mapped to a geographical location or an organization unit.
- One domain can contain multiple call processors and multiple optional message processors.
- A given call processor or message processor can be a member of multiple domains.
- A domain can partition subscribers so that they can be administered separately.

Service Area

Service areas represent offices. Service areas determine the dial plans and other voice-related configuration settings in the domain. In reality, each office may have multiple service areas. The service area determines attributes such as device group, route partition, and calling search space used within Unified CM. Service areas have the following characteristics:

- Each service area is assigned to a single call processor and one optional message processor.
- Each service area should be associated with one dial plan.

Users and Subscribers

A *user* is a person who is authorized to perform various tasks in Unified PM, based on assigned user roles. When installed, Unified PM creates a Unified PM Admin (also called a Super Admin in Unified PM) who has global administrative rights and complete authorization to perform all tasks in Unified PM.

User roles determine the level of access within Unified PM. Domain-specific users can be assigned more than one user role to have rights to specific tasks in a domain. Individual user roles are related to either policy or workflow tasks. A user can be an administrator or a phone user.

A *subscriber* in Unified PM is an entity that uses IP telephony services provided by the underlying voice applications. A subscriber is the same as a phone user in Unified CM. Users in Unified PM can also have services themselves; thus, a user (an administrator) can also be a subscriber (or a phone user). There can also be pseudo-subscribers (for example, conference rooms and lobby phones) in Unified PM that are not present in Unified CM.

Work Flow and Managing Orders

When deploying a new site or making moves, adds and changes to an existing site, users make all changes to the underlying systems through a two-stage process of creating an order and then processing that order. You can set policies for both of these stages. For example, you can configure the system so that one group of users can only create and submit orders, while another group of users can view and perform processing-related activities. Unified PM contains an automation engine that performs the order processing, including service activation and business flow, based on how Unified PM is configured.

The workflow coordinates activities of the ordering process (approval, phone assignment, shipping, and receiving).

Configuration Templates

Unified PM enables you to configure Unified CM, Unified CME, Cisco Unity, Cisco Unity Express, and Cisco Unity Connection in a consistent way through the use of configuration templates. You can use these templates to configure any of these products, to perform an incremental rollout on these existing products, and to deploy a new service across existing customers.

Batch Provisioning

Creating users and provisioning their services can also be done automatically through batch provisioning for rolling out a new office or transitioning from legacy systems.

Best Practices

The following best practices and guidelines apply when using Unified PM to provision Cisco Unified Communications components for any new and/or existing deployments:

- Managed devices must be up and running before using Unified PM for further day-one activities such as rolling out a new site and day-two activities such as moves, adds, and changes.
- Pre-configuration is required for Cisco Unified CM, Cisco Unity, Unified CME, Survivable Remote Site Telephony (SRST), Cisco Unity Express, and Cisco Unified Presence Server.
- Define the correct domains, service areas, and provisioning attributes.
- Modify only the workflow rules if necessary.
- Consider the use of Subscriber Types, Advanced Rule settings, and other configuration parameters.

The following basic tasks help support these best practices:

- Add call processors such as Unified CM, and/or Unified CME and message processors such as Cisco Unity, Unity Connection, and/or Unity Express.
- Create domains and assign call processors and message processors to the created domains.
- Provision the voice network by creating and using templates to configure Unified CMs or Unified CMEs, or import current voice infrastructure configurations from an existing deployment.
- Perform bulk synchronization of LDAP users into Unified PM, if applicable.
- Set up the deployment by creating service areas for each domain (typically one per dial plan) and assigning subscriber (user) types to each service area.
- Create administrative users for each domain.
- Order, update, or change subscriber or user services.



Note

Unified PM does not provide distributed installation of the application server and database server, nor does it support any of the clustering features of the application server.

For more information on Unified PM, refer to the guide on *Getting Started with Cisco Prime Unified Provisioning Manager Deployment and Best Practices*, available at

http://www.cisco.com/en/US/prod/collateral/netmgtsw/ps6491/ps6705/ps7125/white_paper_c07-523344.html

Unified PM Design Considerations

The following design considerations apply to Unified PM:

- Deploy a one-system simple-mode installation of Unified PM for up to 10,000 phones.
- Deploy a two-system or dual-processor Microsoft Windows system in advanced mode, with the Unified PM database installed on a separate system from the web and application server.
- If a two-system advanced-mode installation is used for 10,000 to 60,000 phones, both the database server and the web and application server must be co-located, regardless of the deployment model used.
- One Unified PM can support up to 60,000 phones or 120,000 lines (DNs).
- Set up domains in one of the following ways:
 - Create a single domain for multiple sites, with multiple call processors and multiple message processors.
 - Create a domain for each site, consisting of one call processor and zero or more optional message processors.
 - Create multiple domains if different administrators are required to manage a subset of the subscribers.
- Create multiple service areas for multiple dial plans.
- Add only the Unified CM publisher as the call processor for Unified PM. Any changes made to the Unified CM publisher through Unified PM will be synchronized to all the Unified CM subscriber servers.
- Use configuration templates for Unified CM, Unified CME, or Cisco Unity Express.
- Use Cisco IOS commands for Unified CME and Cisco Unity Express configuration templates.
- Add Cisco Unified CM infrastructure data objects for Unified CM configuration templates.
- Change and modify the existing configuration templates for batch provisioning for large quantities of phones and lines (DNs).
- Create multiple domains if you want different domain administrators to manage different sets of subscribers for Day 2 moves, adds, and changes of services (such as phones, lines, and voicemail), even for a single-site deployment.
- Create one service area for one dial plan.
- Create multiple service areas if multiple dial plans are required for the device pools, location, calling search space, and phones.
- Unified PM is an IPv6-aware application with the following characteristics:
 - Unified PM communicates with Unified CM over an IPv4 link. The Unified PM user configuration interface allows users to enter only IPv4 IP addresses because Unified CM has SOAP AXL interfaces in IPv4 only. Therefore, Unified PM must use IPv4 addresses to communicate with the AXL interfaces on Unified CM.
 - Unified PM handles the IPv6 addresses contained in SIP trunk AXL response messages.
 - Support of IPv6-aware functions does not affect support for current Cisco Unified Communications Manager Express, Cisco Unity, Cisco Unity Express, and Cisco Unity Connection devices.

Integration with Cisco Prime Unified Operations Manager

Unified PM can launch Cisco Prime Unified Operations Manager (Unified OM) to obtain subscriber or user phone information. Unified PM allows its users to launch Unified OM by means of the Details button on the subscriber record. The Details button launches the IP Phone Details dialog box from Unified OM.

For information on how to configure the integration with Unified OM, refer to the *User Guide for Cisco Prime Unified Operations Manager*, available at:

http://www.cisco.com/en/US/products/ps6535/products_user_guide_list.html

Redundancy and Failover

Unified PM currently does not have true redundancy and failover support. When multiple Unified PM systems are deployed, there is no synchronization between their multiple databases.

If Unified PM fails in the middle of the configuration process, changes made to the configured devices from the Unified PM GUI might not be saved and cannot be restored. Administrators must use manual steps to continue the configuration process by using other tools such as telnet or login (HTTP) to the managed devices until Unified PM comes back live. Manually added configuration changes to the managed device will not automatically show up in the Unified PM dashboard or database unless one of the following steps is performed:

- Synchronization from Unified PM for the call processors (Unified CM and/or Unified CME), message processors (Cisco Unity, Unity Connection, and/or Unity Express), and domains
- Periodic synchronization (for example, every night) by using a script under the Microsoft Windows scheduler that comes with the Unified PM installation

Cisco Prime Unified Provisioning Manager Server Performance

For hardware requirements and information about Unified PM, refer to the Cisco Prime Unified Provisioning Manager data sheet, available at:

http://www.cisco.com/en/US/products/ps7125/products_data_sheets_list.html

Unified PM requires a 100 Mbps network interface card (NIC). Default licensing for Unified PM supports up to 750 call processors (Unified CM and Unified CME), 750 message processors (Cisco Unity, Unity Express, and Unity Connection), or 20 presence processors. Synchronization time depends upon the number of deployed phones and lines (DNs).

Ports and Protocol

Table 28-7 lists the ports used by the various protocol interfaces for Unified PM. Cisco recommends opening those ports in the corporate internal firewalls (if applicable) to allow communication between Unified PM and other devices in the network.

Table 28-7 Unified PM Port Utilization

Protocol	Port	Service
TCP	80	HTTP ^{1 2}
TCP	8443	HTTPS ²
TCP	22	SSH ³
SSH	23	Telnet ³
TCP	1433	Database ⁴

1. To access the Unified PM Administration web page.
2. Unified PM provisions Unified CM via Administrative XML Layer (AXL) Simple Object Access Protocol (SOAP).
3. For Unified PM to communicate with Unified CME and Cisco Unity Express.
4. For Unified PM to connect to the database of Cisco Unity and Cisco Unity Connection.

Additional Tools

In addition to the network management tools mentioned above, the following tools also provide troubleshooting and reporting capabilities for Cisco Unified Communications systems:

- [Cisco Unified Analysis Manager, page 28-21](#)
- [Cisco Unified Reporting, page 28-22](#)

Cisco Unified Analysis Manager

Cisco Unified Analysis Manager is included with the Cisco Unified Communications Manager Real-Time Monitoring Tool (RTMT). Unlike the other RTMT functions, Unified Analysis Manager is unique in that it supports multiple Unified Communications elements instead of just one. When the Unified Analysis Manager is launched, it collects troubleshooting information from your Unified Communications system and provides an analysis of that information. You can use this information to perform your own troubleshooting operations, or you can send the information to Cisco Technical Assistance Center (TAC) for analysis.

Unified Analysis Manager supports the 8.x versions of the following Unified Communications elements:

- Cisco Unified Communications Manager
- Cisco Unified Contact Center Enterprise
- Cisco Unified Contact Center Express
- Cisco IOS Voice Gateways (3700 Series, 2800 Series, 3800 Series, 5350XM, and 5400XM)
- Cisco Unity Connection
- Cisco Unified Presence

Unified Analysis Manager provides the following key features and capabilities:

- Supports collection of Unified Communications application hardware, software, and license information from Unified Communications elements.
- Supports setting and resetting of trace level across Unified Communications elements.
- Supports collection and export to a define FTP server of log and trace files from Unified Communications elements.
- Supports analysis of the call path (call trace capability) across Unified Communications elements.

For more details on the report options, refer to the information about the Cisco Unified Analysis Manager in the *Cisco Unified Real-Time Monitoring Tool Administration Guide*, available at

http://www.cisco.com/en/US/docs/voice_ip_comm/cucm/service/8_5_1/rtmt/RTMT.html

Cisco Unified Reporting

The Cisco Unified Reporting web application generates reports for troubleshooting or inspecting Cisco Unified Communications Manager cluster data. It is a convenient tool that you can access from the Unified Communications Manager console. The tool facilitates gathering data from existing sources, comparing the data, and reporting irregularities. For example, you can view a report that shows the hosts file for all servers in the cluster. The application gathers information from the publisher server and each subscriber server. Each report provides data for all active cluster nodes that are accessible at the time the report is generated.

For example, the following reports can be used for general management of a Unified CM cluster:

- Unified CM Cluster Overview — Provides an overview of the cluster, including Unified CM version, hostname, and IP address of all servers, a summary of the hardware details, and so forth.
- Unified CM Device Counts Summary — Provides the number of devices by model and protocol that exist in the Cisco Unified Communications Manager database.

The following report can be used for debugging a Unified CM cluster:

- Unified CM Database Replication Debug — Provides debugging information for database replication.

The following report can be used for maintenance of a Unified CM cluster:

- Unified CM Database Status - Provides a snapshot of the health of the Unified CM database. This report should be generated before an upgrade to ensure the database is healthy.

For more information on the report options, refer to the latest version of the *Cisco Unified Reporting Administration Guide*, available at

http://www.cisco.com/en/US/products/sw/voicesw/ps556/prod_maintenance_guides_list.html

Integration with Cisco Unified Communications Deployment Models

This section discusses how to deploy Cisco Unified Network Management applications in various Cisco Unified Communications deployment models. For detailed information on the deployment models, see the chapter on [Unified Communications Deployment Models, page 5-1](#).

The Cisco Unified Communications Management Suite supports standalone, co-resident, and VMware environments. The following supported limits and capacities apply to all the deployment models discussed in this chapter:

- Standalone environment
 - Standalone Unified OM, Unified SM, or Unified SSM supports up to 45,000 phones. Standalone Unified PM supports up to 60,000 phones.
 - For more than 10,000 IP phones, deploy standalone Unified PM, Unified OM, Unified SM, and Unified SSM.
- Co-resident environment
 - Unified PM, Unified SM, Unified OM, and Unified SSM can reside on the same physical server for deployments of up to 10,000 phones.
 - For less than 10,000 IP phones, deploy co-resident Unified PM, Unified OM, Unified SM, and Unified SSM. The system requirements for Unified PM, Unified OM, Unified SM, and Unified SSM co-residency can be found in the installation manuals for these products.
- VMware environment
 - Run each Unified PM, Unified OM, Unified SM, and Unified SSM as a dedicated instance on a separate VMware server.
 - The maximum number of Unified OM instances is 3.
 - The maximum number of Unified SM instances is 2.

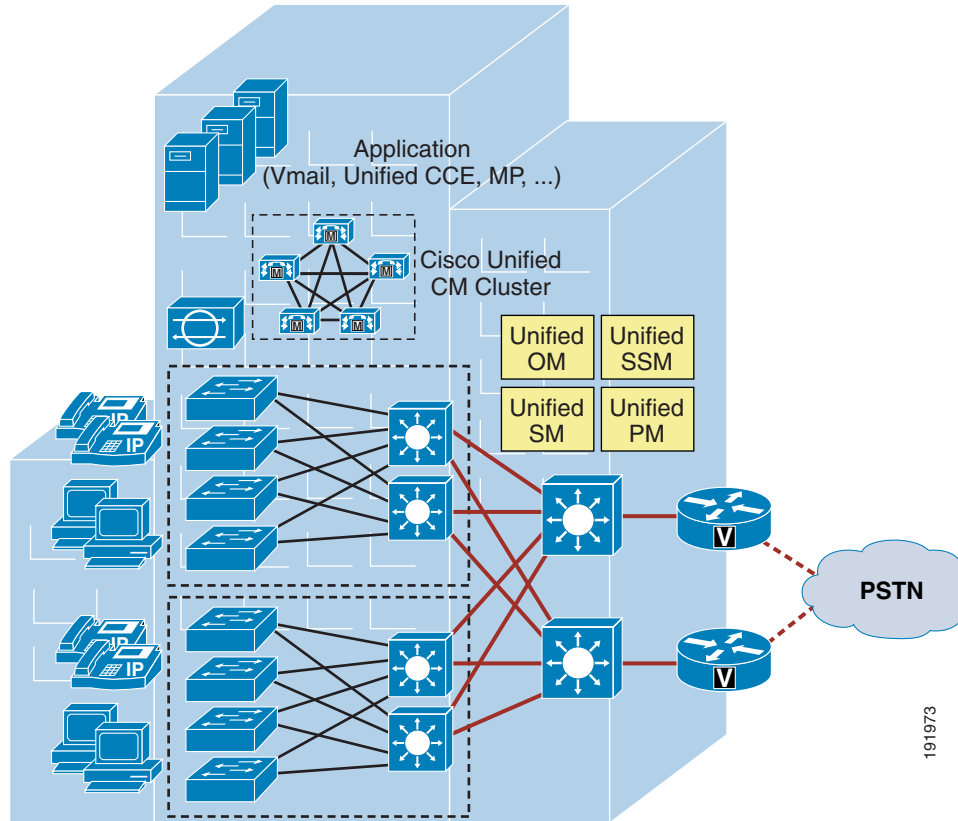
**Note**

System hardware requirements for a VMware environment follow all the requirements from VMware in addition to the hardware system requirements specified for each of the deployment models described in this chapter.

Single Site

In the single-site model, Cisco Unified Network Management applications, along with call processing agents, are deployed at a single site (or campus) with no telephony services provided over an IP WAN. An enterprise would typically deploy the single-site model over a LAN or metropolitan area network (MAN). [Figure 28-3](#) illustrates the deployment of Cisco Unified Network Management applications in the single-site model.

Figure 28-3 Single-Site Deployment



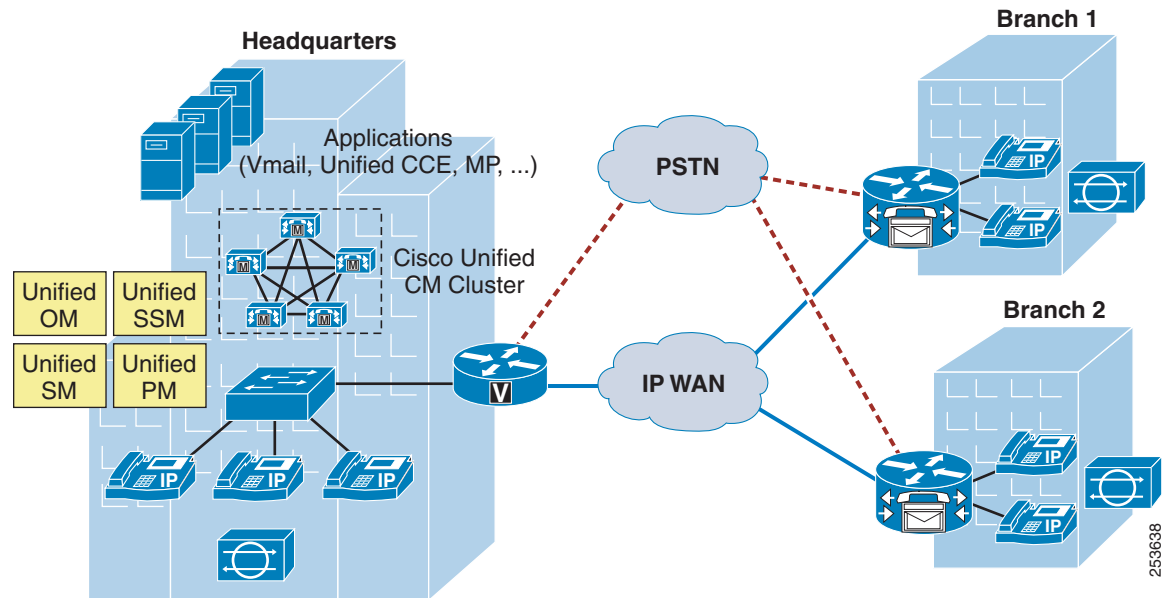
The following design characteristics and recommendations apply to the single-site model for deploying Unified OM, Unified SM, Unified SSM, and Unified PM:

- Cisco recommends deploying CVTQ-based voice quality monitoring to monitor overall voice quality in the network.
- Cisco recommends deploying the Cisco 1040 Sensor or NAM to monitor key IP phone devices, gateway devices, and application servers in the network and to investigate and troubleshoot voice quality issues.
- Each Unified OM can support a maximum of 45,000 IP phones and 30 Unified CM clusters.
- Unified SM can support, concurrently, a maximum of 90,000 RTP streams per hour being monitored by the Cisco 1040 Sensor and 15,000 CVTQ-based calls per hour being monitored by Unified CM.
- Each Unified PM can support a maximum of 60,000 IP phones and multiple Unified CM clusters.

Multisite WAN with Centralized Call Processing

The multisite WAN model with centralized call processing is really an extension of single-site model, with an IP WAN between the central site and remote sites. The IP WAN is used to transport voice traffic between the sites and call control signaling between the central site and the remote sites. Figure 28-4 illustrates the deployment of Cisco Unified Network Management applications in a multisite WAN model with centralized call processing.

Figure 28-4 Multisite WAN Deployment with Centralized Call Processing



The following design characteristics and recommendations apply to the multisite model for deploying Unified OM, Unified SM, Unified SSM, and Unified PM with centralized call processing:

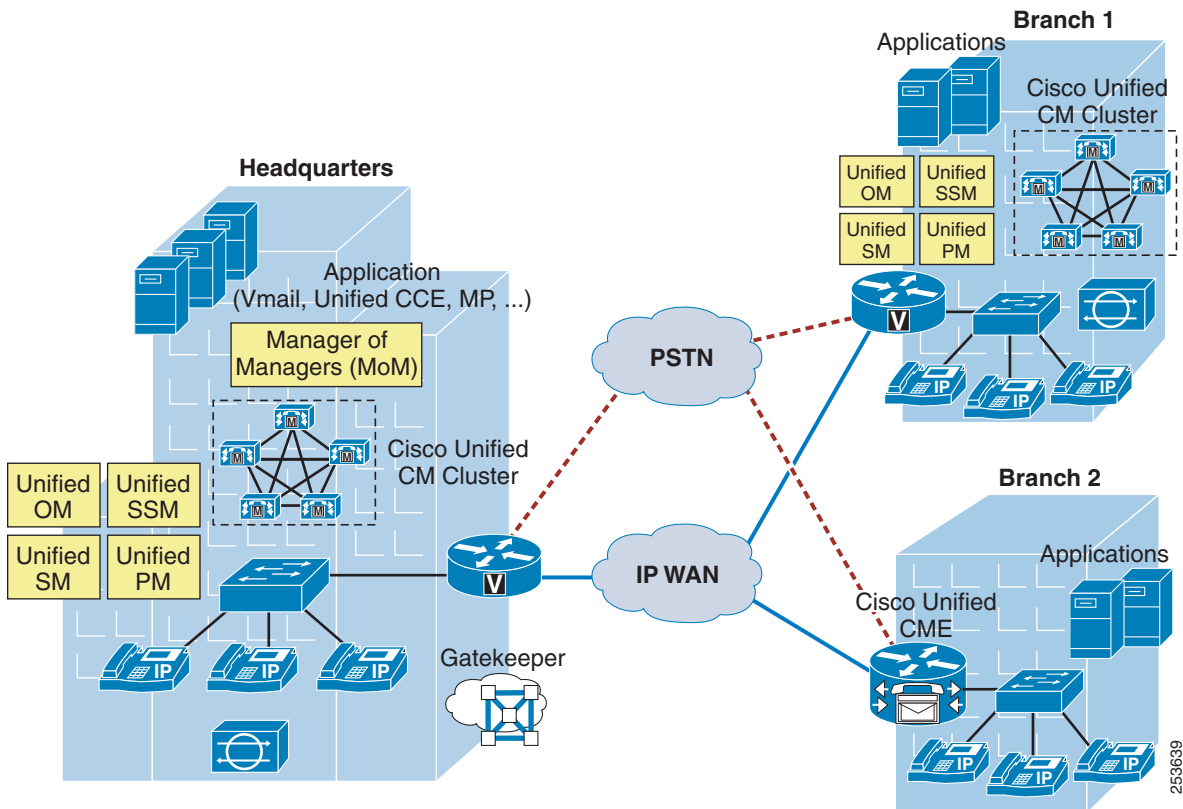
- Cisco recommends deploying all network management applications (including Unified OM, Unified SM, Unified SSM, and Unified PM) in the central site to locate them with the call processing agent. The benefit of such an implementation is that it keeps the network management traffic between call processing agent and network management applications within the LAN instead of sending that traffic over the WAN circuit.
- Multiple Unified OMs can be deployed, with each instance managing multi-site and multi-cluster Unified Communications environments. In this deployment scenario, Cisco recommends that you deploy a Manager of Managers (MoM). Each Unified OM can provide real-time notifications to the higher-level MoM using SNMP traps, syslog notifications, and email to report the status of the network being monitored.
- Each Unified OM can support a maximum 45,000 IP phones.
- Cisco recommends deploying CVTQ-based voice quality monitoring to monitor overall voice quality in the network.
- Cisco recommends deploying the Cisco 1040 Sensor or NAM to monitor key IP phone devices, gateway devices, and application servers in the network and to investigate and troubleshoot voice quality issues.

- Unified SM can support, concurrently, a maximum of 90,000 RTP streams per hour being monitored by the Cisco 1040 Sensor and 15,000 CVTQ-based calls per hour being monitored by Unified CM.
- Each Unified SSM can support a maximum of 45,000 IP phones.
- Each Unified PM can support a maximum of 60,000 IP phones.

Multisite WAN with Distributed Call Processing

The multisite WAN model with distributed call processing consists of multiple independent sites, each with its own call processing agent connected to an IP WAN. [Figure 28-5](#) illustrates the deployment of Cisco Unified Network Management applications in a multisite WAN model with distributed call processing.

Figure 28-5 Multisite WAN Deployment with Distributed Call Processing



A multisite WAN deployment with distributed call processing has many of the same requirements as a single site or a multisite WAN deployment with centralized call processing in terms of deploying Unified OM, Unified SM, Unified SSM, and Unified PM. Follow the best practices and recommendations from these other models in addition to the ones listed here for the distributed call processing model:

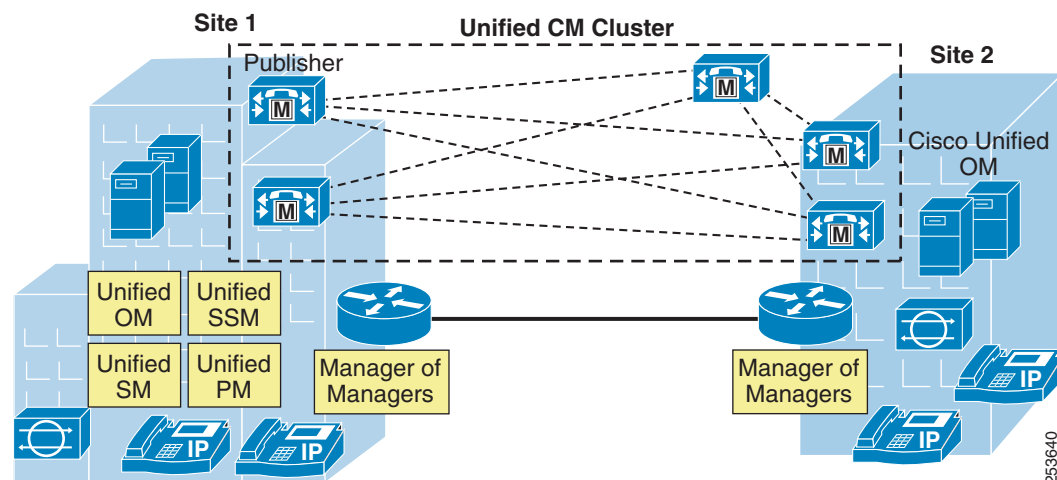
- If only one Cisco Unified Network Management system is deployed to manage multiple Unified CM clusters, Cisco recommends deploying Unified OM, Unified SM, Unified SSM, and Unified PM along with the Unified CM cluster that has the highest call volume and the most endpoints.

- Multiple Unified OMs can be deployed, with each instance managing multi-site and multi-cluster Unified Communications environments. In this deployment scenario, Cisco recommends that you deploy a Manager of Managers (MoM). Each Unified OM can provide real-time notifications to the higher-level MoM using SNMP traps, syslog notifications, and email to report the status of the network being monitored.
- Each Unified OM can support a maximum 45,000 IP phones.
- Cisco recommends deploying CVTQ-based voice quality monitoring to monitor overall voice quality in the network.
- Cisco recommends deploying the Cisco 1040 Sensor or NAM to monitor key IP phone devices, gateway devices, and application servers in the network and to investigate and troubleshoot voice quality issues.

Clustering over the WAN

Clustering over the WAN refers to a single Cisco Unified CM cluster deployed across multiple sites that are connected by an IP WAN with QoS features enabled. This deployment model is designed to provide call processing resiliency if the IP WAN link fails. [Figure 28-6](#) illustrates the deployment of Cisco Unified Network Management applications with clustering over the WAN.

Figure 28-6 Clustering over the WAN



Note

There is no native high-availability or redundancy support for Unified SM, Unified SSM, or Unified PM with this model.

The following design characteristics and recommendations apply when deploying Unified OM, Unified SM, Unified SSM, and Unified PM with clustering over the WAN:

- Cisco recommends deploying Unified OM, Unified SM, Unified SSM, and Unified PM in the headquarter site where Unified CM publisher is located.
- Cisco recommends deploying a pair of Unified OMs. Deploy the active Unified OM in the one site to manage all the sites under normal conditions. The warm-standby Unified OM should be located in the other site and should have a longer polling interval. The warm-standby Unified OM will take

over for the active server and provide redundancy support (shorten its polling interval) when the active Unified OM is unavailable. Additional WAN bandwidth should be provisioned for the SNMP polling messages of the warm-standby server.

- Multiple Unified OMs can be deployed, with each instance managing multi-site and multi-cluster Unified Communications environments. In this deployment scenario, Cisco recommends that you deploy a Manager of Managers (MoM). Each Unified OM can provide real-time notifications to the higher-level MoM using SNMP traps, syslog notifications, and email to report the status of the network being monitored.
- Cisco recommends deploying CVTQ-based voice quality monitoring to monitor overall voice quality in the network.
- Cisco recommends deploying the Cisco 1040 Sensor or NAM to monitor key IP phone devices, gateway devices, and application servers in the network and to investigate and troubleshoot voice quality issues.
- Each Unified OM can support a maximum 45,000 IP phones.
- Unified SM can support, concurrently, a maximum of 90,000 RTP streams per hour being monitored by the Cisco 1040 Sensor and 15,000 CVTQ-based calls per hour being monitored by Unified CM.
- Each Unified SSM can support a maximum of 45,000 IP phones.
- Each Unified PM can support a maximum of 60,000 IP phones.