



The bridge to possible

# Cisco AMD M8 Rack Refuse to Lose Offer Ordering Guide

## Introduction

### Cisco UCS C225 M8 Rack Server

The Cisco UCS C225 M8 Rack Server extends the capabilities of the Cisco UCS rack server portfolio. It powers 4th Gen AMD EPYC™ Processors with 100 percent more cores per socket designed using AMD's chiplet architecture. With advanced features such as AMD Infinity Guard, compute-intensive applications will see significant performance improvements and reap other benefits such as power and cost efficiencies.



### Cisco UCS C245 M8 Rack Server

The Cisco UCS C245 M8 Rack Server extends the capabilities of the Cisco UCS rack server portfolio. It powers 4th Gen AMD EPYC™ Processors with 100 percent more cores per socket designed using AMD's chiplet architecture. With advanced features like AMD Infinity Guard, compute-intensive applications will see significant performance improvements and will reap other benefits such as power and cost efficiencies.





## Refuse to Lose UCS M8 Rack Servers

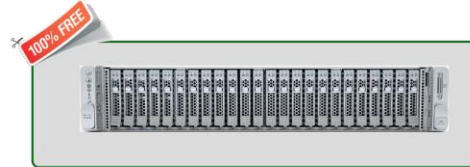
### Buy 3 Get 1 Free | up to 100 Servers FREE

C225 M8  
C245 M8

Buy 3 Nodes

Get 1 FREE Node  
Max 100 Free Nodes

Total  
Servers



4

1 Per Customer | No free cables included | T's & C's Apply

### Refuse to Lose UCS M8 Rack Server Ordering is SIMPLE

- Register your DEAL for approval with a Deal ID link [click here](#).
- Once approved, Order using Promo SKUs
- Top Level Ordering PID: UCSC-R2L-M8-OFFER.
- For information on all AMD Offers, [click here](#).
- Cisco Seller Support Mailer: [ask-ucs-amd@external.cisco.com](mailto:ask-ucs-amd@external.cisco.com)

### Refuse to Lose UCS M8 Rack Server T's & C's

- Available to new logos to UCS M8 Rack Server with AMD.
- Offer is available for ONE use per Customer, for every unique SAVID.
- Free Server must be the same model & configuration as the servers purchased.
- Must Register and get approval before quoting/ordering link [click here](#).
- Intersight is Mandatory for all free and paid nodes.
- Offer is valid for Cisco's FY24 Only. Approved quotes are valid for 30 days.

### Purpose, Audience, and Scope

#### Purpose

This document describes how to order the Cisco UCS AMD M8 Product.

#### Scope

This ordering guide describes the information for:

- Ordering Structure of Cisco UCS AMD M8 Server
- Catalog of Product IDs

- 
- Ordering Server Hardware and Software options
  - Links to additional resources

## Audience

Buy Method Through Cisco (Eg: Direct Customer & Tier 1 Partners):

- Scenario 1: Customer Without Enterprise Agreement for Cisco Intersight Software License
- Scenario 2: Customer With Enterprise Agreement for Cisco Intersight Software License

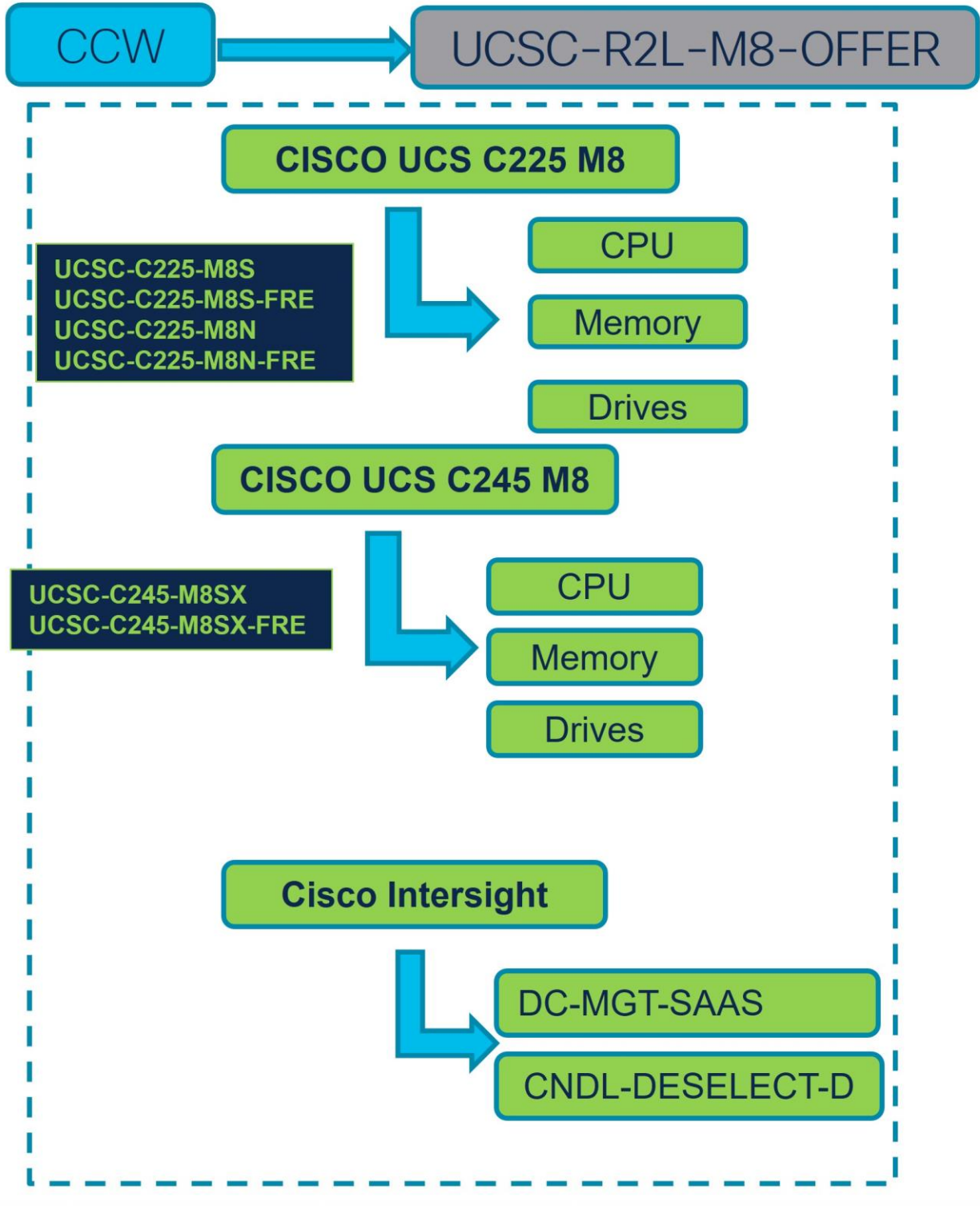
Buy Method Through Distributor (Eg: Tier 1 & Tier 2 Partners):

- Scenario 1: Customer Without Enterprise Agreement for Cisco Intersight Software License
- Scenario 2: Customer With Enterprise Agreement for Cisco Intersight Software License

# Ordering Structure of Cisco UCS AMD M8 Server

## UCSC R2L M8 Ordering Structure

\*Products Not available to order standalone. Can be ordered only under MLB



## Catalog of Product IDs (PIDs)

**Note:** For a complete list of part numbers see [Cisco UCS C225 M8 SFF Rack Server Spec Sheet](#) and [Cisco UCS C245 M8 SFF Rack Server Spec Sheet](#)

**Table 1.** Top Level Major Line Bundle ordering PIDs

Product ID (PID)	Description
UCSC-R2L-M8-OFFER	UCSC Refuse Lose M8 Offer

**Table 2.** Hardware Major Line PIDs

Product ID (PID)	Description
UCSC-C245-M8SX (Paid Node)	UCS C245M8 Rack w/o CPU, memory, drive, 2Uw24SFF HDD/SSD backplane
UCSC-C245-M8SX-FRE (Free Node)	UCS C245M8 R2L Free Rack w/oCPU, mem, drv, 2Uw24SFF HDD/SSD
UCSC-C225-M8S (Paid Node)	UCS C225 M8 Rack w/oCPU, mem, drv, 1U wSFF HDD/SSD backplane
UCSC-C225-M8S-FRE (Free Node)	UCS C225 M8 R2L Free Rack w/oCPU, mem, drv, 1U wSFF HDD/SSD
UCSC-C225-M8N (Paid Node)	UCS C225 M8 R2L Free Rack w/o CPU, mem, drives, 1U w NVMe
UCSC-C225-M8N-FRE (Free Node)	UCS C225 M8 R2L Free Rack w/o CPU, mem, drives, 1U w NVMe

**Table 3.** Cisco Intersight Major Line PIDs

Product ID (PID)	Description
DC-MGT-SAAS	Cisco Intersight SaaS
CNDL-DESELECT-D	Conditional Deselect

## Step By Step Ordering Process

### Buy Method Through Cisco (Eg: Direct Customer & Tier 1 Partners)

#### Scenario 1: Customer Without Enterprise Agreement for Cisco Intersight Software License

##### Step 1.

Set preferences for this estimate

Search by Sku , Program ID , Description and Product Family 1 Add Find Products & Solutions Actions

The product discounts are cascaded to subscription items, however subscription items may only be eligible for lower discounts. To apply the proper discount to subscription items, click on "MORE" and then, "Apply Discount".

Remove Selected Lines Apply Success Track More Filter By All Items

	Hardware, Software and Services	Estimated Lead Time	Unit List Price (USD)	Qty	Unit Net Price (USD)	Discount (%)	Extended Net Price (USD)
	1.0 UCSC-R2L-M8-OFFER more UCSC Refuse to Lose M8 Offer Invalid as of 21-Mar-2024 11:48:06 PDT	Not Applicable	0.00	1	0.00	0.00	0.00

Select Options Validate Recommended Content Add Note More Actions Add Subtotal

- In CCW, search for MLB PID and click on "Add"
- Click on "Select Options" to enter the configurator.

**Step 2.**

Bundle Configuration UCSC-R2L-M8-OFFER Estimated Lead Time 21 days Price List Global 25,431.75

Set service preferences for this configuration

1: CISCO INTERSIGHT requires a minimum of 1 component(s). Please add additional quantities as necessary. (CE100010)  
 2: The category CISCO INTERSIGHT is required. (CE100103)  
 3: Please note that this order will be placed on a Compliance Hold. Please reach out to sac-support@cisco.com to check if this order meets eligibility criteria for hold removal. Note that the order will remain on compliance hold if you do not reach out to sac-support@cisco.com to request eligibility check. (CE202322)

Available Components	Unit List Price (USD)	Product	Unit List Price (USD)	Adjusted List Price (USD)	Qty	Extended List Price (USD)
CISCO UCS C245 M8	6,226.99	UCSC-C245-M8SX Invalid	7,928.25	7,928.25	3	23,784.75
UCSC-C245-M8SX UCS C245M8 Rack w/oCPU, mem, drv, 2Uw24SFF HDD/SSD backplane Estimated Lead Time: --		UCSC-C245-M8SX-FRE Invalid	1,647.00	1,647.00	1	1,647.00
UCSC-C245-M8SX-FRE UCS C245M8 R2L Free Rack w/oCPU, mem, drv, 2Uw24 SFF HDD/SSD Estimated Lead Time: --	0.00					

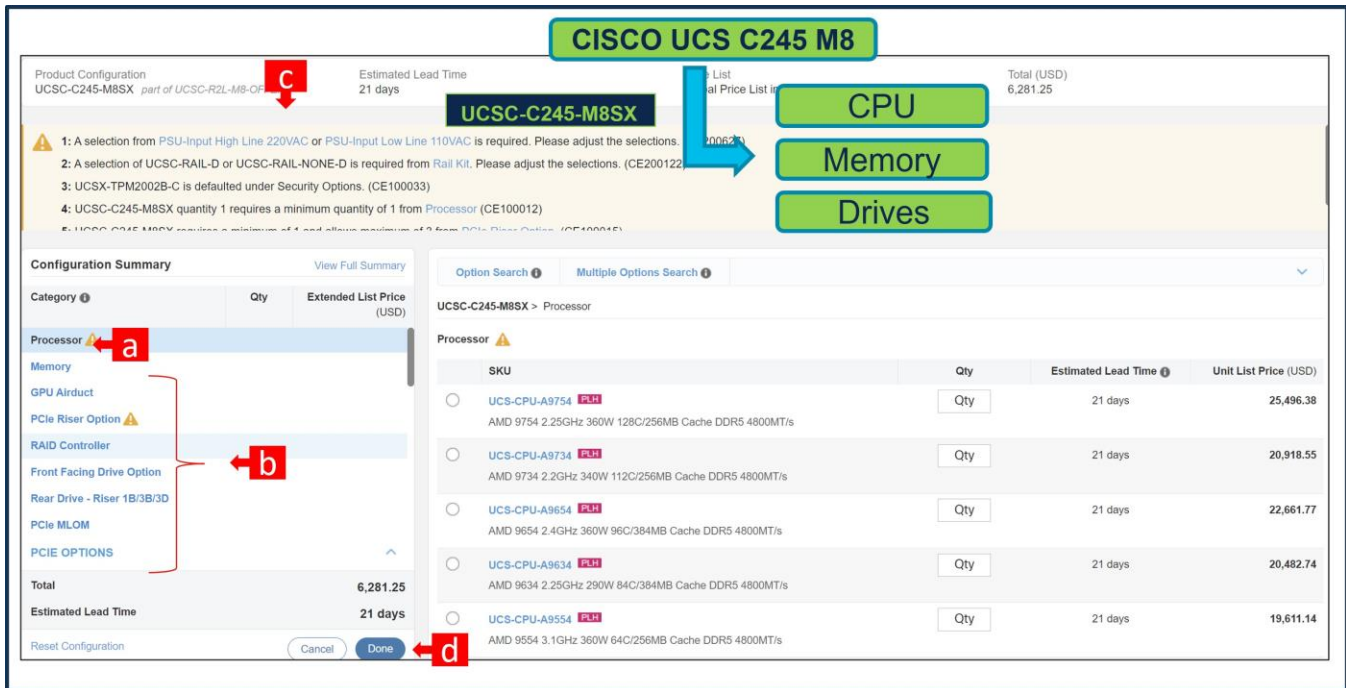
CISCO INTERSIGHT > 0 Selected (Min 1, Max 1)

Configuration Summary All prices shown in USD  
 Total 25,431.75  
 Estimated Lead Time 21 days

- Select Paid Node: UCSC-C245-M8SX in QTY of 3,6,9,12,15,18,21,24,27,30.....300 by clicking the "PLUS".

- b. Notice the UCSC-C245-M8SX Status is now Invalid as further configuration needed.
- c. Click on “Edit Options” to enter the configurator.

**Step 3.**



- a. Configure UCSC-C245-M8SX by selecting peripherals from category window on the left.
- b. PIDs are listed in the window on the right. Some PIDs like PCIe Riser and Drives are grouped according to type or series; select from the grouped options located above SKU window on the right.
- c. Follow warning messages to configure the minimum required option PIDs.
- d. Click on “Done” when completed.

**Step 4.**



**CISCO UCS C245 M8**

Bundle Configuration: UCSC-R2L-M8-OFFER  
Estimated Lead Time: 21 days  
Price List: Global Price List (USD)  
Total: 289,579.35

UCSC-C245-M8SX

1: CISCO INTERSIGHT requires a minimum of 1 component(s). Please add additional quantities as necessary. (CE100010)  
2: The category CISCO INTERSIGHT is required. (CE100103)  
3: Please note that this order will be placed on a Compliance Hold. Please reach out to sac-support@cisco.com to check if this order meets eligibility criteria for hold removal. Note that the order will remain on compliance hold if you do not reach out to sac-support@cisco.com to request eligibility check. (CE202322)

Available Components

Component	Unit List Price (USD)
CISCO UCS C245 M8	
UCSC-C245-M8SX UCS C245M8 Rack w/oCPU, mem, drv, 2Uw24SFF HDD/SSD backplane Estimated Lead Time: --	6,228.99
UCSC-C245-M8SX-FRE UCS C245M8 R2L Free Rack w/oCPU, mem, drv, 2Uw24 SFF HDD/SSD Estimated Lead Time: --	0.00
CISCO INTERSIGHT	

CISCO UCS C245 M8 > 4 Selected (Min 0, Max 400)

Product	Unit List Price (USD)	Adjusted List Price (USD)	Qty	Extended List Price (USD)
UCSC-C245-M8SX Valid UCS C245M8 Rack w/oCPU, mem, drv, 2Uw24SFF HDD/SSD backplane Add Custom Name   Edit Options   Edit Services/Subscriptions   Remove Line		21,702.10	3	287,932.35
UCSC-C245-M8SX-FRE Invalid UCS C245M8 R2L Free Rack w/oCPU, mem, drv, 2Uw24SFF HDD/SSD Add Custom Name   Edit Options   Edit Services/Subscriptions   Remove Line		1,647.00	1	1,647.00

Configuration Summary All prices shown in USD

- Note Status is now showing as Valid.
- Increase the quantity for multiples of same configuration.
- Click the “PLUS” to add and configure the same product with different option/quantities or select a different product.

### Step 5.

**Cisco UCS C245 M8**

Bundle Configuration: UCSC-R2L-M8-OFFER  
Estimated Lead Time: 21 days  
Price List: Global Price List (USD)  
Total: 289,579.35

UCSC-C245-M8SX

1: CISCO INTERSIGHT requires a minimum of 1 component(s). Please add additional quantities as necessary. (CE100010)  
2: The category CISCO INTERSIGHT is required. (CE100103)  
3: Please note that this order will be placed on a Compliance Hold. Please reach out to sac-support@cisco.com to check if this order meets eligibility criteria for hold removal. Note that the order will remain on compliance hold if you do not reach out to sac-support@cisco.com to request eligibility check. (CE202322)

Available Components

Component	Unit List Price (USD)
CISCO UCS C245 M8	
UCSC-C245-M8SX UCS C245M8 Rack w/oCPU, mem, drv, 2Uw24SFF HDD/SSD backplane Estimated Lead Time: --	6,228.99
UCSC-C245-M8SX-FRE UCS C245M8 R2L Free Rack w/oCPU, mem, drv, 2Uw24 SFF HDD/SSD Estimated Lead Time: --	0.00
CISCO INTERSIGHT	

CISCO UCS C245 M8 > 4 Selected (Min 0, Max 400)

Product	Unit List Price (USD)	Adjusted List Price (USD)	Qty	Extended List Price (USD)
UCSC-C245-M8SX Valid UCS C245M8 Rack w/oCPU, mem, drv, 2Uw24SFF HDD/SSD backplane Add Custom Name   Edit Options   Edit Services/Subscriptions   Remove Line		21,702.10	3	287,932.35
UCSC-C245-M8SX-FRE Invalid UCS C245M8 R2L Free Rack w/oCPU, mem, drv, 2Uw24SFF HDD/SSD Add Custom Name   Edit Options   Edit Services/Subscriptions   Remove Line		1,647.00	1	1,647.00

Configuration Summary All prices shown in USD

- Click on “Edit Services/Subscriptions” to edit Term Duration for HW Support.

**Note:** It is recommended that Term Duration for HW Support must align with Software Subscription Duration.

**Step 6.**

The screenshot shows the configuration interface for Cisco UCS C245 M8. At the top, there are fields for 'Service Subscription' (UCSC-C245-M8SX), 'Price List' (Global Price List), 'Service Total (USD)' (941.00), and 'Subscription Total (USD)' (0.00). A blue arrow points from the 'UCSC-C245-M8SX' field to a green box labeled 'Services/Subscriptions'. Below this, a message states: 'The duration that you entered has been successfully applied to all the services. (C0329)'. The 'Service Options' section includes a search bar and a 'Time Duration' dropdown set to '36' months, with a red callout 'a' pointing to it. There are 'Reset' and 'Apply' buttons, with a red callout 'b' pointing to 'Apply'. Below is a table of services:

Service SKU	Product SKU	Unit List Price (USD)	Qty	Total List Price (USD)
Cisco Customer Experience Level 1 (1 ITEM)	L1NCO (CX LEVEL 1 8X7XNCDOS)		36 Months	
CON-L1NCO-UCSCM8SX		4,941.00	1	4,941.00
CX LEVEL 1 8X7XNCDOS UCS C245M8 Rack w/oCP...	UCSC-C245-M8SX		1	
SERVICE SKU	UCS C245M8 Rack w/oCPU, mem, drv, 2Uw24SFF HD...			
Change Service   Remove Service	PRODUCT SKU			

At the bottom right, there is a 'Configuration Summary' showing 'All prices shown in USD' and 'Services' with a total of 4,941.00. 'Cancel' and 'Done' buttons are at the bottom right, with a red callout 'b' pointing to 'Done'.

- a. Enter the Term Duration
- b. Click on “Apply” and “Done”

**Step 7.**

The screenshot shows the configuration interface for Cisco UCS C245 M8. At the top, there are fields for 'Bundle Configuration' (UCSC-R2L-M8-OFFER), 'Estimated Lead Time' (21 days), 'Price List' (Global Price List), and 'Total' (75). A blue arrow points from the 'UCSC-C245-M8SX-FRE' field to green boxes labeled 'CPU', 'Memory', and 'Drives'. Below this, a message states: '1: CISCO INTERSIGHT requires a minimum of 1 component(s). Please add additional quantities as necessary. (CE100010)'. The 'Available Components' section shows 'CISCO UCS C245 M8' with a price of 6,228.99 and 'CISCO INTERSIGHT' with a price of 0.00. A red callout 'a' points to the '+' button next to the 6,228.99 price. The 'Selected' section shows a table of products:

Product	Unit List Price (USD)	Adjusted List Price (USD)	Qty	Extended List Price (USD)
UCSC-C245-M8SX Invalid		7,928.25	3	23,784.75
UCS C245M8 Rack w/oCPU, mem, drv, 2Uw24SFF HDD/SSD backplane				
UCSC-C245-M8SX-FRE Invalid	1,647.00		1	1,647.00
UCS C245M8 R2L Free Rack w/oCPU, mem, drv, 2Uw24SFF HDD/SSD				

Below the table, there are buttons for 'Add Custom Name', 'Edit Options', 'Edit Services/Subscriptions', and 'Remove Line'. A red callout 'b' points to the 'Edit Options' button. Below the table, there are instructions: 'Add a CISCO UCS C245 M8 from the left panel' and 'Add a CISCO INTERSIGHT from the left panel'. A red callout 'c' points to the 'Add a CISCO INTERSIGHT from the left panel' instruction. At the bottom right, there is a 'Configuration Summary' showing 'All prices shown in USD' and 'Total' (25,431.75) and 'Estimated Lead Time' (21 days). 'Cancel' and 'Done' buttons are at the bottom right.

- Select Free Nodes Ex: UCSC-C245-M8SX-FRE in QTY of (QTY of Paid Node / 3) by clicking the “PLUS”
- Notice the UCSC-C245-M8SX-FRE Status is “invalid” as further configuration needed.
- Click on “Edit Options” to enter the configurator.

**Note:** Configuration of Paid Node and Free Node should be identical.

### Step 8.

The screenshot displays the Cisco UCS configurator for the UCSC-C245-M8SX-FRE model. At the top, the product configuration and estimated lead time (21 days) are shown. A warning message (c) is present. The configuration summary on the left (a) lists categories like Processor, Memory, GPU Airduct, etc. The processor options table on the right (b) lists various SKUs with their respective quantities and lead times. A 'Done' button (d) is located at the bottom of the summary section. A green box highlights 'CISCO UCS C245 M8' and another highlights 'UCSC-C245-M8SX-FRE'. A blue arrow points from the highlighted product name to three green boxes labeled 'CPU', 'Memory', and 'Drives'.

- Configure UCSC-C245-M8SX-FRE by selecting peripherals from category window on the left.
- PIDs are listed in the window on the right. Some PIDs like PCIe Riser and Drives are grouped according to type or series; select from the grouped options located above SKU window on the right.
- Follow warning messages to configure the minimum required option PIDs.
- Click on “Done” when completed.

### Step 9.

**CISCO UCS C245 M8**

Bundle Configuration: UCSC-R2L-M8-OFFER  
 Estimated Lead Time: 21 days  
 Total: 289,579.35

Set service preferences for this configuration

1: CISCO INTERSIGHT requires a minimum of 1 component(s). Please add additional quantities as necessary. (CE100010)  
 2: The category CISCO INTERSIGHT is required. (CE100103)  
 3: Please note that this order will be placed on a Compliance Hold. Please reach out to sac-support@cisico.com to check if this order meets eligibility criteria for hold removal. Note that the order will remain on compliance hold if you do not reach out to sac-support@cisico.com to request eligibility check. (CE202322)

Product	Unit List Price (USD)	Adjusted List Price (USD)	Qty	Extended List Price (USD)
UCSC-C245-M8SX Valid	6,228.99	21,702.10	3	287,932.35
UCSC-C245-M8SX-FRE Valid	0.00	1,647.00	1	1,647.00

- a. Note Status is now showing as “Valid”.
- b. Increase the quantity for multiples of same configuration.
- c. Click the “PLUS” to add and configure the same product with different option/quantities or select a different product.

**Step 10.**

**Cisco UCS C245 M8**

Bundle Configuration: UCSC-R2L-M8-OFFER  
 Estimated Lead Time: 21 days  
 Global Price List (USD): 289,579.35

Set service preferences for this configuration

1: CISCO INTERSIGHT requires a minimum of 1 component(s). Please add additional quantities as necessary. (CE100010)  
 2: The category CISCO INTERSIGHT is required. (CE100103)  
 3: Please note that this order will be placed on a Compliance Hold. Please reach out to sac-support@cisico.com to check if this order meets eligibility criteria for hold removal. Note that the order will remain on compliance hold if you do not reach out to sac-support@cisico.com to request eligibility check. (CE202322)

Product	Unit List Price (USD)	Adjusted List Price (USD)	Qty	Extended List Price (USD)
UCSC-C245-M8SX Valid	6,228.99	21,702.10	3	287,932.35
UCSC-C245-M8SX-FRE Valid	0.00	1,647.00	1	1,647.00

- a. Click on “Edit Services/Subscriptions” to edit Term Duration for HW Support.

**Note:** It is recommended that Term Duration for HW Support must align with Software Subscription Duration.

**Step 11.**

The screenshot shows the configuration page for Cisco UCS C245 M8. At the top, a green box highlights "Cisco UCS C245 M8". Below it, a blue arrow points from the "Service" tab to a green box labeled "Services/Subscriptions". The "Service" tab is active, showing "UCSC-C245-M8SX-FRE" and a price of 4,941.00 USD. A message states: "The duration that you entered has been successfully applied to all the services. (C0329)".

**Service Options**

Choose Service Level from: All Service Programs

Search by Name & Description

Note: Cisco may still install another compatible service if required. Compatible services are the services that come with primary service and are based on products.

**Time Duration**

- Duration
- Delay service start to
- Co-Term service to

Duration: 36

Buttons: Reset, Apply

Service SKU	Product SKU	Unit List Price (USD)	Qty	Total List Price (USD)
Cisco Customer Experience Level 1 (1 ITEM) SERVICE PROGRAM	L1NCO (CX LEVEL 1 8X7XNCDOS) SUMMARY			
CON-L1NCO-UC24M8SX CX LEVEL 1 8X7XNCDOS UCS C245M8 R2L Free Rac... SERVICE SKU	UCSC-C245-M8SX-FRE UCS C245M8 R2L Free Rack w/oCPU, mem, drv, 2Uw2... PRODUCT SKU	4,941.00	1	4,941.00

Buttons: Remove All Services, Remove All Additional Services

**Configuration Summary** All prices shown in USD

Services	Total List Price (USD)
Services	4,941.00

Buttons: Cancel, Done

Annotations: Red arrow 'a' points to the Duration input field. Red arrow 'b' points to the Apply button and the Done button in the Configuration Summary.

- a. Enter the Term Duration.
- b. Click on “Apply” and “Done”

**Step 12.**

**Cisco Intersight**

**DC-MGT-SAAS**

Bundle Configuration: UCSC-R2L-M8-OFFER | Estimated Lead Time: 21 days

Set service preferences for this configuration

**1:** The quantity of Cisco Intersight Infrastructure Services under Offer: DC-MGT-SAAS should be equal to the quantity of Server selected. Please adjust the quantity. (CE200648)  
**2:** Please note that this order will be placed on a Compliance Hold. Please reach out to sac-support@cisco.com to check if this order meets eligibility criteria for hold removal. Note that the order will remain on compliance hold if you do not reach out to sac-support@cisco.com to request eligibility check. (CE202322)

DC-MGT-SAAS has been added to the bundle category CISCO INTERSIGHT.

Available Components	Unit List Price (USD)
CISCO UCS C245 M8	
CISCO INTERSIGHT	
DC-MGT-SAAS Cisco Intersight SaaS	
CHDL-DESELECT-D Conditional Deselect	0.00
Estimated Lead Time: --	

Product	Unit List Price (USD)	Adjusted List Price (USD)	Qty	Extended List Price (USD)
UCSC-C245-M8SX Valid		24,996.10	3	297,814.35
UCSC-C245-M8SX-FRE Valid		4,941.00	1	4,941.00

Product	Unit List Price (USD)	Adjusted List Price (USD)	Qty	Extended List Price (USD)
DC-MGT-SAAS Invalid		--	1	--

Requested Start Date: 25-Mar-2024 | Requested For: 36 Months From 25-Mar-2024 To 24-Mar-12 Months On 25-Mar-2027 | Automatically Renews For: 12 Months On 25-Mar-2027 | Billing Frequency: Prepaid Term

- a. It is recommended that Term Duration for HW Support align with Software Subscription Duration.
- b. Intersight is a required selection if you have not previously purchased Cisco Intersight Software. Please make selection by clicking "PLUS". Click on "Edit Options" to configure.

**Step 13.**

**Cisco Intersight**

**DC-MGT-SAAS**

Offer Configuration: DC-MGT-SAAS (Part of UCSC-R2L-M8-OFFER) | Estimated Lead Time: NA | Price List: Global Price

**Requested Terms and Billing**

Requested Start Date: 25-Mar-2024 | Requested For: 36 Months From 25-Mar-2024 To 24-Mar-2027 | Automatically Renews For: 12 Months On 25-Mar-2027 | Billing Frequency: Prepaid Term

**1:** Cisco will apply a standard lead time to your requested start date based on the selected product. Cisco may not be able to honor the requested start date (RSD). In some cases, our systems may require additional lead-time to provision your services. Submitting a RSD that is too early could cause customer subscription billing issues. Verify the requested start date with your implementation team that aligns with customer deployment readiness. (C0742)  
**2:** Your subscription will start and be eligible to be invoiced: i) 30 days or less (7 days for A-FLEX/A-FLEX-3) after Cisco notifies you that any portion of the subscription is ready for you to provision OR, ii) the day any portion of the subscription is provisioned by Cisco, whichever of the two events happens first. (C01007)

**REQUESTED FOR** 36 Months From: 25-Mar-2024 To: 24-Mar-2027

**Requested Start Date** (a): Day: 25, Month: Mar, Year: 2024

**End Date** (b):  Effective For: 36 Months

Co-Term to an End Date (b): Day: 24, Month: Mar, Year: 2027

**Automatically Renews For** (b):  On: 12 Months On: 25-Mar-2027

**Billing Frequency** (b):  Prepaid Term

Buttons: Cancel, Save Changes

- a. **Requested Start Date (RSD)** is now dependent on HW Ship Date and will automatically starts when the HW ships. If you change the **RSD**, the Software will start either on the **RSD** you picked or the HW Ship Date whichever is later.
- b. **End Date** (duration in months) is defaulted to **36 Months**, **Auto Renewal** (on/off) is defaulted to **On** and **Billing Frequency** is defaulted to **Prepaid Term**. You can still change the setting accordingly.

**Step 14.**

The screenshot displays the configuration page for DC-MGT-SAAS. At the top, a green box labeled "Cisco Intersight" points to the "DC-MGT-SAAS" label. Below this, the "Requested Terms and Billing" section shows a Requested Start Date of 25-Mar-2024, a duration of 36 months, and a Prepaid Term billing frequency. A configuration summary on the left lists items like DC-MGT-IS-SAAS-ES (4 devices, \$35.00 each) and SVS-DCM-SUPT-BAS (1 each, \$0.00 each). The main table, titled "Cisco Intersight 2.0 Infrastructure Services", has columns for Device, SKU, Description, Unit List Price (USD), and Action. The first row shows a quantity of 4 for SKU DC-MGT-IS-SAAS-ES. A red box with the letter "a" points to the quantity input field for this row. Below the main table is an "Add-Ons" section with one row for SKU DC-MGT-IS-UCSD.

- a. The quantity of Cisco Intersight 2.0 Infrastructure Services License under Offer: DC-MGT-SAAS should be equal to the quantity of Server selected. Enter the quantity.

**Step 15.**

**Cisco Intersight**

Offer Configuration: DC-MGT-SAAS (Part of UCSC-R2L-M8-OFFER) | Estimated Lead Time: NA | Price List: Global Price List (USD) | Total (USD): 5,040.00

**Requested Terms and Billing**

Requested Start Date: 25-Mar-2024 | Requested For: 36 Months From 25-Mar-2024 To 24-Mar-2027 | Automatically Renews For: 12 Months On 25-Mar-2027 | Billing Frequency: Prepaid Term

Please note that Cisco recommends Solution Support with Intersight which solves complex issues on average 44% faster than product support. For complete details, please refer to the following URL: <https://www.cisco.com/c/en/us/customer-experience/support/solution-support.html> (CE202322)

Your subscription will start and be eligible to be invoiced: i) 30 days or less (7 days for A-FLEX/A-FLEX-3) after Cisco notifies you that any portion of the subscription is ready for you to provision OR, ii) the day any portion of the subscription is provisioned by Cisco, whichever of the two events happens first. (C01007)

**Configuration Summary**

**Cisco Intersight 2.0 Infrastructure Services**

SKU	Qty	List Price
DC-MGT-IS-SAAS-ES	4 Device	\$35.00 Per Device/Month

**Cisco Intersight Workload Optimizer (IWO) - SaaS**

**Cisco Intersight Support**

SKU	Qty	List Price
SVS-DCM-SUPT-BAS	1 Each	\$0.00 Per Each/Month

**Auto Expansion**

**Total** \$5,040.00

Buttons: Restore Configuration, Cancel, Review Changes

**DC-MGT-SAAS > Cisco Intersight Support**

**Cisco Intersight Support**

Each	SKU	Description	Unit List Price (USD)	Action
Qty	SVS-SSTCS-DCMGMT SA	Solution Support for DC Mgmt	Enter Qty to see List Price Per Each/Month	
Qty	SVS-L1DCS-INTER SA	CXL1 for INTERSIGHT	Enter Qty to see List Price Per Each/Month	
Qty	SVS-L2DCS-INTER SA	CXL2 for INTERSIGHT	Enter Qty to see List Price Per Each/Month	
1	SVS-DCM-SUPT-BAS	Basic Support for DCM	\$0.00 Per Each/Month	

- a. The Cisco Intersight License comes with separate Support. Basic Embedded Support is the default selection. It is recommended that Customer should upgrade to Solution Support or CX Success Track L1 or L2 for the HW.

### Step 16.

Bundle Configuration: UCSC-R2L-M8-OFFER | Estimated Lead Time: 21 days | Price List: Global Price List (USD) | Total: 307,795.35

Set service preferences for this configuration

Please note that this order will be placed on a Compliance Hold. Please reach out to [sac-support@cisco.com](mailto:sac-support@cisco.com) to check if this order meets eligibility criteria for hold removal. Note that the order will remain on compliance hold if you do not reach out to [sac-support@cisco.com](mailto:sac-support@cisco.com) to request eligibility check. (CE202322)

**Available Components**

Component	Unit List Price (USD)
CISCO UCS C245 M8	
UCSC-C245-M8SX UCS C245M8 Rack w/oCPU, mem, drv, 2Uw24SFF HDD/SSD backplane	6,228.99
UCSC-C245-M8SX-FRE UCS C245M8 R2L Free Rack w/oCPU, mem, drv, 2Uw24SFF HDD/SSD	0.00
CISCO INTERSIGHT	

**CISCO UCS C245 M8 > 4 Selected (Min 0, Max 400)**

Product	Unit List Price (USD)	Adjusted List Price (USD)	Qty	Extended List Price (USD)
UCSC-C245-M8SX Valid UCS C245M8 Rack w/oCPU, mem, drv, 2Uw24SFF HDD/SSD backplane		24,996.10	3	297,814.35
UCSC-C245-M8SX-FRE Valid UCS C245M8 R2L Free Rack w/oCPU, mem, drv, 2Uw24SFF HDD/SSD		4,941.00	1	4,941.00

**CISCO INTERSIGHT > 1 Selected (Min 1, Max 1)**

Product	Unit List Price (USD)	Adjusted List Price (USD)	Qty	Extended List Price (USD)
DC-MGT-SAAS Valid Cisco Intersight SaaS	35.00	35.00	1	5,040.00

Requested Start Date: 25-Mar-2024 | Requested For: 36 Months From 25-Mar-2024 To 24-Mar-2027 | Automatically Renews For: 12 Months On 25-Mar-2027 | Billing Frequency: Prepaid Term

- a. Configuration for MLB is completed when status of each Product is Valid and warning messages are cleared.
- b. Click on the "PLUS" to expand and view the selections made for each Product.
- c. Click on the "DONE" to complete the MLB Configuration.



## Scenario 2: Customer With Enterprise Agreement for Cisco Intersight Software License

### Step 1.

Set preferences for this estimate

Search by Sku , Program ID , Description and Product Family 1 **Add** a Find Products & Solutions | Actions ▾

**i** The product discounts are cascaded to subscription items, however subscription items may only be eligible for lower discounts. To apply the proper discount to subscription items, click on "MORE" and then, "Apply Discount".

Remove Selected Lines Apply Success Track More ▾ Filter By All Items

	Hardware, Software and Services	Estimated Lead Time <b>i</b>	Unit List Price (USD)	Qty	Unit Net Price (USD)	Discount (%)	Extended Net Price (USD)
<input type="checkbox"/>	1.0 UCSC-R2L-M8-OFFER more <b>i</b> UCSC Refuse to Lose M8 Offer <b>⚠</b> Invalid as of 21-Mar-2024 11:48:06 PDT	Not Applicable	0.00	1	0.00	0.00	0.00

**b** → Select Options | Validate | Recommended Content | Add Note | More Actions ▾ Add Subtotal

- In CCW, search for MLB PID and click on “Add”
- Click on “Select Options” to enter the configurator.

### Step 2.

**Cisco UCS C245 M8**

**UCSC-C245-M8SX** → **CPU**, **Memory**, **Drives**

Bundle Configuration UCSC-R2L-M8-OFFER **i** Estimated Lead Time 21 days Price List Global Price List 431.75

Set service preferences for this configuration ▾ Cancel Done

**⚠** 1: CISCO INTERSIGHT requires a minimum of 1 component(s). Please add additional quantities as necessary. (CE100010)  
 2: The category CISCO INTERSIGHT is required. (CE100103)  
 3: Please note that this order will be placed on a Compliance Hold. Please reach out to sac-support@cisco.com to check if this order meets eligibility criteria for hold removal. Note that the order will remain on compliance hold if you do not reach out to sac-support@cisco.com to request eligibility check. (CE202322)

Available Components	Unit List Price (USD)	CISCO UCS C245 M8 > 4 S (Min 0, Max 400)	Unit List Price (USD)	Adjusted List Price (USD)	Qty	Extended List Price (USD)
CISCO UCS C245 M8		<b>Product</b>				
UCSC-C245-M8SX UCS C245M8 Rack w/oCPU, mem, drv, 2Uw24SFF HDD/SSD backplane Estimated Lead Time: --	6,228.99 <span style="color: red;">a</span>	UCSC-C245-M8SX <b>Invalid</b> <b>⚠</b> UCS C245M8 Rack w/oCPU, mem, drv, 2Uw24SFF HDD/SSD backplane Add Custom Name   Edit Options   Edit Services/Subscriptions   Remove Line	7,928.25	7,928.25	3	23,784.75
UCSC-C245-M8SX-FRE UCS C245M8 R2L Free Rack w/oCPU, mem, drv, 2Uw24SFF HDD/SSD Estimated Lead Time: --	0.00	UCSC-C245-M8SX-FRE <b>Invalid</b> <b>⚠</b> UCS C245M8 R2L Free Rack w/oCPU, mem, drv, 2Uw24SFF HDD/SSD Add Custom Name   Edit Options   Edit Services/Subscriptions   Remove Line	1,647.00	1,647.00	1	1,647.00

**⚠** CISCO INTERSIGHT > 0 Selected (Min 1, Max 1)  
Add a CISCO INTERSIGHT from the left panel

**Configuration Summary** All prices shown in USD

Total	25,431.75
Estimated Lead Time	21 days

Cancel Done

- Select Paid Node: UCSC-C245-M8SX in QTY of 3,6,9,12,15,18,21,24,27,30.....300 by clicking the “PLUS”.
- Notice the UCSC-C245-M8SX Status is now Invalid as further configuration needed.
- Click on “Edit Options” to enter the configurator.

**Step 3.**

**CISCO UCS C245 M8**

Product Configuration: UCSC-C245-M8SX part of UCSC-R2L-M8-CP. Estimated Lead Time: 21 days. Total (USD): 6,281.25.

**UCSC-C245-M8SX**

Warnings:

- 1: A selection from PSU-Input High Line 220VAC or PSU-Input Low Line 110VAC is required. Please adjust the selections. (CE100012)
- 2: A selection of UCSC-RAIL-D or UCSC-RAIL-NONE-D is required from Rail Kit. Please adjust the selections. (CE200122)
- 3: UCSX-TPM2002B-C is defaulted under Security Options. (CE100033)
- 4: UCSC-C245-M8SX quantity 1 requires a minimum quantity of 1 from Processor (CE100012)
- 5: UCSC-C245-M8SX requires a minimum of 1 and a maximum of 3 from PCIe Riser Option (CE100015)

**Configuration Summary**

Category	Qty	Extended List Price (USD)
Processor		
Memory		
GPU Airduct		
PCIe Riser Option		
RAID Controller		
Front Facing Drive Option		
Rear Drive - Riser 1B/3B/3D		
PCIe MLOM		
PCIE OPTIONS		
<b>Total</b>		<b>6,281.25</b>
<b>Estimated Lead Time</b>		<b>21 days</b>

**UCSC-C245-M8SX > Processor**

SKU	Qty	Estimated Lead Time	Unit List Price (USD)
UCS-CPU-A9754	Qty	21 days	25,496.38
UCS-CPU-A9734	Qty	21 days	20,918.55
UCS-CPU-A9654	Qty	21 days	22,661.77
UCS-CPU-A9634	Qty	21 days	20,482.74
UCS-CPU-A9554	Qty	21 days	19,611.14

Buttons: Reset Configuration, Cancel, Done

- Configure UCSC-C245-M8SX by selecting peripherals from category window on the left.
- PIDs are listed in the window on the right. Some PIDs like PCIe Riser and Drives are grouped according to type or series; select from the grouped options located above SKU window on the right.
- Follow warning messages to configure the minimum required option PIDs.
- Click on “Done” when completed.

**Step 4.**

**CISCO UCS C245 M8**

Bundle Configuration: UCSC-R2L-M8-OFFER | Estimated Lead Time: 21 days | Price List: Global Price List (USD) | Total: 289,579.35

UCSC-C245-M8SX

1: CISCO INTERSIGHT requires a minimum of 1 component(s). Please add additional quantities as necessary. (CE100010)  
 2: The category CISCO INTERSIGHT is required. (CE100103)  
 3: Please note that this order will be placed on a Compliance Hold. Please reach out to sac-support@cisco.com to check if this order meets eligibility criteria for hold removal. Note that the order will remain on compliance hold if you do not reach out to sac-support@cisco.com to request eligibility check. (CE202322)

Product	Unit List Price (USD)	Adjusted List Price (USD)	Qty	Extended List Price (USD)
UCSC-C245-M8SX Valid	6,228.99	21,702.10	3	287,932.35
UCSC-C245-M8SX-FRE Invalid	0.00	1,647.00	1	1,647.00

Available Components: CISCO UCS C245 M8, UCSC-C245-M8SX (6,228.99), UCSC-C245-M8SX-FRE (0.00), CISCO INTERSIGHT

Configuration Summary | All prices shown in USD

- Note Status is now showing as Valid.
- Increase the quantity for multiples of same configuration.
- Click the “PLUS” to add and configure the same product with different option/quantities or select a different product.

**Step 5.**

**Cisco UCS C245 M8**

Bundle Configuration: UCSC-R2L-M8-OFFER | Estimated Lead Time: 21 days | Price List: Global Price List (USD) | Total: 289,579.35

UCSC-C245-M8SX

Services/Subscriptions

1: CISCO INTERSIGHT requires a minimum of 1 component(s). Please add additional quantities as necessary. (CE100010)  
 2: The category CISCO INTERSIGHT is required. (CE100103)  
 3: Please note that this order will be placed on a Compliance Hold. Please reach out to sac-support@cisco.com to check if this order meets eligibility criteria for hold removal. Note that the order will remain on compliance hold if you do not reach out to sac-support@cisco.com to request eligibility check. (CE202322)

Product	Unit List Price (USD)	Adjusted List Price (USD)	Qty	Extended List Price (USD)
UCSC-C245-M8SX Valid	6,228.99	21,702.10	3	287,932.35
UCSC-C245-M8SX-FRE Invalid	0.00	1,647.00	1	1,647.00

Available Components: CISCO UCS C245 M8, UCSC-C245-M8SX (6,228.99), UCSC-C245-M8SX-FRE (0.00), CISCO INTERSIGHT

Configuration Summary | All prices shown in USD

- Click on “Edit Services/Subscriptions” to edit Term Duration for HW Support.

**Note:** It is recommended that Term Duration for HW Support must align with Software Subscription Duration.

**Step 6.**

The screenshot shows the configuration interface for Cisco UCS C245 M8. At the top, there are fields for 'Service Subscription' (UCSC-C245-M8SX), 'Price List' (Global Price List), 'Service Total (USD)' (941.00), and 'Subscription Total (USD)' (0.00). A blue arrow points from the 'UCSC-C245-M8SX' field to a green box labeled 'Services/Subscriptions'. Below this, a message states: 'The duration that you entered has been successfully applied to all the services. (C0329)'. The 'Service Options' section includes a search bar and a 'Time Duration' dropdown set to '36' months, with a red callout 'a' pointing to it. There are radio buttons for 'Duration', 'Delay service start to', and 'Co-Term service to'. 'Reset' and 'Apply' buttons are visible, with a red callout 'b' pointing to 'Apply'. Below is a table of services:

Service SKU	Product SKU	Unit List Price (USD)	Qty	Total List Price (USD)
Cisco Customer Experience Level 1 (1 ITEM) SERVICE PROGRAM	L1NCO (CX LEVEL 1 8X7XNCDOS) SUMMARY		36 Months	
CON-L1NCO-UCSCM8SX CX LEVEL 1 8X7XNCDOS UCS C245M8 Rack w/oCP...	UCSC-C245-M8SX UCS C245M8 Rack w/oCPU, mem, drv, 2Uw24SFF HD...	4,941.00	1	4,941.00

At the bottom right, a 'Configuration Summary' shows 'Services' with a total price of 4,941.00. 'Cancel' and 'Done' buttons are at the bottom right, with a red callout 'b' pointing to 'Done'.

- a. Enter the Term Duration
- b. Click on “Apply” and “Done”

**Step 7.**

The screenshot shows the configuration interface for Cisco UCS C245 M8. At the top, there are fields for 'Bundle Configuration' (UCSC-R2L-M8-OFFER), 'Estimated Lead Time' (21 days), 'Total' (75), and 'Global Price List'. A blue arrow points from the 'UCSC-C245-M8SX-FRE' field to a green box labeled 'CPU', 'Memory', and 'Drives'. Below this, a warning message states: '1: CISCO INTERSIGHT requires a minimum of 1 component(s). Please add additional quantities as necessary. (CE100010)'. The 'Available Components' section shows 'CISCO UCS C245 M8' with a price of 6,228.99 and 'CISCO INTERSIGHT' with a price of 0.00. A red callout 'a' points to the '+' button for the C245 M8 component. The 'Selected' section shows a table of products:

Product	Unit List Price (USD)	Adjusted List Price (USD)	Qty	Extended List Price (USD)
UCSC-C245-M8SX Invalid UCS C245M8 Rack w/oCPU, mem, drv, 2Uw24SFF HDD/SSD backplane		7,928.25	3	23,784.75
UCSC-C245-M8SX-FRE Invalid UCS C245M8 R2L Free Rack w/oCPU, mem, drv, 2Uw24SFF HDD/SSD	1,647.00		1	1,647.00

Red callouts 'b' and 'c' point to the quantity field '3' and the warning message respectively. At the bottom right, a 'Configuration Summary' shows 'Total' as 25,431.75 and 'Estimated Lead Time' as 21 days. 'Cancel' and 'Done' buttons are at the bottom right.

- Select Free Nodes Ex: UCSC-C245-M8SX-FRE in QTY of (QTY of Paid Node / 3) by clicking the “PLUS”
- Notice the UCSC-C245-M8SX-FRE Status is “invalid” as further configuration needed.
- Click on “Edit Options” to enter the configurator.

**Note:** Configuration of Paid Node and Free Node should be identical.

### Step 8.

The screenshot displays the configuration interface for a Cisco UCS C245 M8 server. At the top, the product configuration is identified as UCSC-C245-M8SX-FRE, with an estimated lead time of 21 days and a total price of 0.00 USD. A warning message (1) indicates that a selection from PSU-Input High Line 220VAC or PSU-Input Low Line is required. The configuration summary on the left shows the 'Processor' category selected, with a red box 'a' pointing to it. A red box 'b' points to a group of options including GPU Airduct, PCIe Riser Option, RAID Controller, Front Facing Drive Option, Rear Drive - Riser 1B/3B/3D, PCIe MLOM, and PCIE OPTIONS. The processor selection table on the right lists several options with their SKUs, quantities, estimated lead times, and unit list prices. A red box 'c' points to a warning message at the top, and a red box 'd' points to the 'Done' button at the bottom right.

SKU	Qty	Estimated Lead Time (days)	Unit List Price (USD)
UCS-CPU-A9754	Qty	21 days	0.00
UCS-CPU-A9734	Qty	21 days	0.00
UCS-CPU-A9654	Qty	21 days	0.00
UCS-CPU-A9634	Qty	21 days	0.00
UCS-CPU-A9554	Qty	21 days	0.00

- Configure UCSC-C245-M8SX-FRE by selecting peripherals from category window on the left.
- PIDs are listed in the window on the right. Some PIDs like PCIe Riser and Drives are grouped according to type or series; select from the grouped options located above SKU window on the right.
- Follow warning messages to configure the minimum required option PIDs.
- Click on “Done” when completed.

### Step 9.

**CISCO UCS C245 M8**

Bundle Configuration: UCSC-R2L-M8-OFFER  
 Estimated Lead Time: 21 days  
 Total: 289,579.35

UCSC-C245-M8SX-FRE

Set service preferences for this configuration

1: CISCO INTERSIGHT requires a minimum of 1 component(s). Please add additional quantities as necessary. (CE100010)  
 2: The category CISCO INTERSIGHT is required. (CE100103)  
 3: Please note that this order will be placed on a Compliance Hold. Please reach out to sac-support@cisco.com to check if this order meets eligibility criteria for hold removal. Note that the order will remain on compliance hold if you do not reach out to sac-support@cisco.com to request eligibility check. (CE202322)

Available Components	Unit List Price (USD)
CISCO UCS C245 M8	
UCSC-C245-M8SX UCS C245M8 Rack w/oCPU, mem, drv, 2Uw24SFF HDD/SSD backplane Estimated Lead Time: --	6,228.99
UCSC-C245-M8SX-FRE UCS C245M8 R2L Free Rack w/oCPU, mem, drv, 2Uw24 SFF HDD/SSD Estimated Lead Time: --	0.00
CISCO INTERSIGHT	

Product	Unit List Price (USD)	Adjusted List Price (USD)	Qty	Extended List Price (USD)
UCSC-C245-M8SX Valid UCS C245M8 Rack w/oCPU, mem, drv, 2Uw24SFF HDD/SSD backplane Add Custom Name   Edit Options   Edit Services/Subscriptions   Remove Line		21,702.10	3	287,932.35
UCSC-C245-M8SX-FRE Valid UCS C245M8 R2L Free Rack w/oCPU, mem, drv, 2Uw24SFF HDD/SSD Add Custom Name   Edit Options   Edit Services/Subscriptions   Remove Line		1,647.00	1	1,647.00

Callouts: 'a' points to the 'Valid' status of the second product; 'b' points to the quantity '1'; 'c' points to the '+' button in the available components list.

- Note Status is now showing as “Valid”.
- Increase the quantity for multiples of same configuration.
- Click the “PLUS” to add and configure the same product with different option/quantities or select a different product.

**Step 10.**

**Cisco UCS C245 M8**

Bundle Configuration: UCSC-R2L-M8-OFFER  
 Estimated Lead Time: 21 days  
 Global Price List (USD): 289,579.35

UCSC-C245-M8SX-FRE

Services/Subscriptions

Set service preferences for this configuration

1: CISCO INTERSIGHT requires a minimum of 1 component(s). Please add additional quantities as necessary. (CE100010)  
 2: The category CISCO INTERSIGHT is required. (CE100103)  
 3: Please note that this order will be placed on a Compliance Hold. Please reach out to sac-support@cisco.com to check if this order meets eligibility criteria for hold removal. Note that the order will remain on compliance hold if you do not reach out to sac-support@cisco.com to request eligibility check. (CE202322)

Available Components	Unit List Price (USD)
CISCO UCS C245 M8	
UCSC-C245-M8SX UCS C245M8 Rack w/oCPU, mem, drv, 2Uw24SFF HDD/SSD backplane Estimated Lead Time: --	6,228.99
UCSC-C245-M8SX-FRE UCS C245M8 R2L Free Rack w/oCPU, mem, drv, 2Uw24 SFF HDD/SSD Estimated Lead Time: --	0.00
CISCO INTERSIGHT	

Product	Unit List Price (USD)	Adjusted List Price (USD)	Qty	Extended List Price (USD)
UCSC-C245-M8SX Valid UCS C245M8 Rack w/oCPU, mem, drv, 2Uw24SFF HDD/SSD backplane Add Custom Name   Edit Options   Edit Services/Subscriptions   Remove Line		21,702.10	3	287,932.35
UCSC-C245-M8SX-FRE Valid UCS C245M8 R2L Free Rack w/oCPU, mem, drv, 2Uw24SFF HDD/SSD Add Custom Name   Edit Options   Edit Services/Subscriptions   Remove Line		1,647.00	1	1,647.00

Callout: 'a' points to the 'Edit Services/Subscriptions' link for the second product.

- a. Click on “Edit Services/Subscriptions” to edit Term Duration for HW Support.

**Note:** It is recommended that Term Duration for HW Support must align with Software Subscription Duration.

**Step 11.**

The screenshot shows the configuration page for Cisco UCS C245 M8. At the top, a green box highlights "Cisco UCS C245 M8". Below it, a blue box highlights "UCSC-C245-M8SX-FRE" and a blue arrow points to a green box labeled "Services/Subscriptions". The page displays "Service Subscription UCSC-C245-M8SX-FRE" with a price of 4,941.00 USD. A message states: "The duration that you entered has been successfully applied to all the services. (C0329)". Under "Service Options", the "Time Duration" is set to 36 months. A red arrow labeled 'a' points to the "Duration" input field. Below this, there are "Reset" and "Apply" buttons, with a red arrow labeled 'b' pointing to the "Apply" button. A table lists the services:

Service SKU	Product SKU	Unit List Price (USD)	Qty	Total List Price (USD)
Cisco Customer Experience Level 1 (1 ITEM)	L1NCO (CX LEVEL 1 8X7XNCDOS)			
CON-L1NCO-UC24M8SX		4,941.00	1	4,941.00
CX LEVEL 1 8X7XNCDOS UCS C245M8 R2L Free Rac...	UCSC-C245-M8SX-FRE		1	
SERVICE SKU	UCS C245M8 R2L Free Rack w/oCPU, mem, drv, 2Uw2...			
	PRODUCT SKU			

At the bottom right, a "Configuration Summary" shows "Services" with a total of 4,941.00. Red arrows labeled 'b' point to the "Apply" and "Done" buttons.

- a. Enter the Term Duration.
- b. Click on “Apply” and “Done”

**Step 12.**

**Cisco Intersight**

**CNDL-DESELECT-D**

Bundle Configuration: UCSC-R2L-M8-OFFER  
Estimated Lead Time: 21 days

Set service preferences for this configuration

1: Please note that Intersight is required selection and needed for the M8 Server to function. All orders with CNDL-DESELECT-D will be manually reviewed for Compliance. (CE202322)  
2: Please note that this order will be placed on a Compliance Hold. Please reach out to sac-support@cisisco.com to check if this order meets eligibility criteria for hold removal. Note that the order will remain on compliance hold if you do not reach out to sac-support@cisisco.com to request eligibility check. (CE202322)

CNDL-DESELECT-D has been added to the bundle category CISCO INTERSIGHT.

Available Components	Unit List Price (USD)
CISCO UCS C245 M8	
CISCO INTERSIGHT	
DC-MGT-SaaS Cisco Intersight SaaS	0.00
CNDL-DESELECT-D Conditional Deselect Estimated Lead Time: 7 days	0.00

CISCO UCS C245 M8 > 4 Selected (Min 0, Max 400)				
Product	Unit List Price (USD)	Adjusted List Price (USD)	Qty	Extended List Price (USD)
UCSC-C245-M8SX UCS C245M8 Rack w/oCPU, mem, drv, 2Uw24SFF HDD/SSD backplane		24,996.10	3	297,814.35
UCSC-C245-M8SX-FRE UCS C245M8 R2L Free Rack w/oCPU, mem, drv, 2Uw24SFF HDD/SSD		4,941.00	1	4,941.00

CISCO INTERSIGHT > 1 Selected (Min 1, Max 1)				
Product	Unit List Price (USD)	Adjusted List Price (USD)	Qty	Extended List Price (USD)
CNDL-DESELECT-D Conditional Deselect		0.00	1	0.00

- CNDL-DESELECT-D is meant to select only if Customer has already purchased Cisco Intersight License via EA Contract or order is for Disti Fulfillment. Please make selection by clicking "PLUS".
- Please note that Intersight is required selection and needed for the Server to function. Click on Select Options to configure.

### Step 13.

**Cisco Intersight**

**CNDL-DESELECT-D**

Product Configuration: CNDL-DESELECT-D part of UCSC-R2L-M8-OFFER  
Estimated Lead Time: 7 days

Configuration Summary

Category	Qty	Extended List Price (USD)
Reason Codes		
OPTOUT-EA-ONLY	1	0.00

Total: 0.00  
Estimated Lead Time: 7 days

Reason Codes

SKU	Qty	Estimated Lead Time	Unit List Price (USD)
<input type="radio"/> OPTOUT-DISTI-ONLY For Disti when ordering mandatory licenses separately	1	3 days	0.00
<input checked="" type="radio"/> OPTOUT-EA-ONLY License not needed: Customer already owns Licenses in an EA	1	3 days	0.00
<input type="radio"/> OPTOUT-ENTL-SWAP License not needed: Entitlements updated in Smart Account. More	1	3 days	0.00

- Please select appropriate Reason Code.

### Step 14.



Bundle Configuration: UCSC-R2L-M8-OFFER | Estimated Lead Time: 21 days | Price List: Global Price List (USD) | Total: 302,755.35

Set service preferences for this configuration

1: Please note that Intersight is required selection and needed for the M8 Server to function. All orders with CNDL-DESELECT-D will be manually reviewed for Compliance. (CE202322)  
 2: Please note that this order will be placed on a Compliance Hold. Please reach out to sac-support@cisco.com to check if this order meets eligibility criteria for hold removal. Note that the order will remain on compliance hold if you do not reach out to sac-support@cisco.com to request eligibility check. (CE202322)

Available Components	Unit List Price (USD)
CISCO UCS C245 M8	
UCSC-C245-M8SX UCS C245M8 Rack w/oCPU, mem, drv, 2Uw24SFF HDD/SSD backplane Estimated Lead Time: --	6,228.99
UCSC-C245-M8SX-FRE UCS C245M8 R2L Free Rack w/oCPU, mem, drv, 2Uw24 SFF HDD/SSD Estimated Lead Time: --	0.00
CISCO INTERSIGHT	

Product	Unit List Price (USD)	Adjusted List Price (USD)	Qty	Extended List Price (USD)
UCSC-C245-M8SX Valid ⚠️ UCS C245M8 Rack w/oCPU, mem, drv, 2Uw24SFF HDD/SSD backplane Add Custom Name   Edit Options   Edit Services/Subscriptions   Remove Line		24,996.10	3	297,814.35
UCSC-C245-M8SX-FRE Valid ⚠️ UCS C245M8 R2L Free Rack w/oCPU, mem, drv, 2Uw24SFF HDD/SSD Add Custom Name   Edit Options   Edit Services/Subscriptions   Remove Line		4,941.00	1	4,941.00
Add a CISCO UCS C245 M8 from the left panel				

Product	Unit List Price (USD)	Adjusted List Price (USD)	Qty	Extended List Price (USD)
CNDL-DESELECT-D Valid ⚠️ Conditional Deselect Add Custom Name   Edit Options   Remove Line   Dependent Hardware ⓘ		0.00	1	0.00

- Configuration for MLB is completed when status of each Product is Valid and warning messages are cleared.
- Click on the “PLUS” to expand and view the selections made for each Product.
- Click on the “DONE” to complete the MLB Configuration.

## Buy Method Through Distributor (Eg: Direct Customer & Tier 1 Partners)

### Scenario 1: Customer Without Enterprise Agreement for Cisco Intersight Software License

#### Step 1.

Set preferences for this estimate

Search by Sku , Program ID , Description and Product Family 1 Add Find Products & Solutions Actions

The product discounts are cascaded to subscription items, however subscription items may only be eligible for lower discounts. To apply the proper discount to subscription items, click on "MORE" and then, "Apply Discount".

Remove Selected Lines Apply Success Track More Filter By All Items

	Hardware, Software and Services	Estimated Lead Time	Unit List Price (USD)	Qty	Unit Net Price (USD)	Discount (%)	Extended Net Price (USD)
<input type="checkbox"/>	1.0 UCSC-R2L-M8-OFFER more UCSC Refuse to Lose M8 Offer Invalid as of 21-Mar-2024 11:48:06 PDT	Not Applicable	0.00	1	0.00	0.00	0.00

Select Options Validate Recommended Content Add Note More Actions Add Subtotal

- In CCW, search for MLB PID and click on “Add”
- Click on “Select Options” to enter the configurator.

**Step 2.**

Cisco UCS C245 M8

UCSC-C245-M8SX

CPU

Memory

Drives

Bundle Configuration UCSC-R2L-M8-OFFER Estimated Lead Time 21 days Price List Global 25,431.75

Set service preferences for this configuration

1: CISCO INTERSIGHT requires a minimum of 1 component(s). Please add additional quantities as necessary. (CE100010)  
2: The category CISCO INTERSIGHT is required. (CE100103)  
3: Please note that this order will be placed on a Compliance Hold. Please reach out to sac-support@cisco.com to check if this order meets eligibility criteria for hold removal. Note that the order will remain on compliance hold if you do not reach out to sac-support@cisco.com to request eligibility check. (CE202322)

Available Components Unit List Price (USD)

Product	Unit List Price (USD)	Adjusted List Price (USD)	Qty	Extended List Price (USD)
UCSC-C245-M8SX UCS C245M8 Rack w/oCPU, mem, drv, 2Uw24SFF HDD/SSD backplane Estimated Lead Time: --	6,228.99	7,928.25	3	23,784.75
UCSC-C245-M8SX-FRE UCS C245M8 R2L Free Rack w/oCPU, mem, drv, 2Uw24 SFF HDD/SSD Estimated Lead Time: --	0.00	1,647.00	1	1,647.00
CISCO INTERSIGHT	0.00	0.00	0	0.00

Configuration Summary All prices shown in USD

Total 25,431.75  
Estimated Lead Time 21 days

- Select Paid Node: UCSC-C245-M8SX in QTY of 3,6,9,12,15,18,21,24,27,30.....300 by clicking the “PLUS”.

- b. Notice the UCSC-C245-M8SX Status is now Invalid as further configuration needed.
- c. Click on “Edit Options” to enter the configurator.

**Step 3.**

**CISCO UCS C245 M8**

Product Configuration: UCSC-C245-M8SX part of UCSC-R2L-M8-CP. Estimated Lead Time: 21 days. Total (USD): 6,281.25.

**UCSC-C245-M8SX**

Warnings:

- 1: A selection from PSU-Input High Line 220VAC or PSU-Input Low Line 110VAC is required. Please adjust the selections. (CE200122)
- 2: A selection of UCSC-RAIL-D or UCSC-RAIL-NONE-D is required from Rail Kit. Please adjust the selections. (CE200122)
- 3: UCSX-TPM2002B-C is defaulted under Security Options. (CE100033)
- 4: UCSC-C245-M8SX quantity 1 requires a minimum quantity of 1 from Processor (CE100012)
- 5: UCSC-C245-M8SX requires a minimum of 4 and a maximum of 4 for PCIe Drive Option (CE400045)

**Configuration Summary**

Category	Qty	Extended List Price (USD)
Processor		
Memory		
GPU Airduct		
PCIe Riser Option		
RAID Controller		
Front Facing Drive Option		
Rear Drive - Riser 1B/3B/3D		
PCIe MLOM		
PCIe OPTIONS		
<b>Total</b>		<b>6,281.25</b>
<b>Estimated Lead Time</b>		<b>21 days</b>

**Processor Options**

SKU	Qty	Estimated Lead Time	Unit List Price (USD)
UCS-CPU-A9754	Qty	21 days	25,496.38
UCS-CPU-A9734	Qty	21 days	20,918.55
UCS-CPU-A9654	Qty	21 days	22,661.77
UCS-CPU-A9634	Qty	21 days	20,482.74
UCS-CPU-A9554	Qty	21 days	19,611.14

Buttons: Cancel, Done

- a. Configure UCSC-C245-M8SX by selecting peripherals from category window on the left.
- b. PIDs are listed in the window on the right. Some PIDs like PCIe Riser and Drives are grouped according to type or series; select from the grouped options located above SKU window on the right.
- c. Follow warning messages to configure the minimum required option PIDs.
- d. Click on “Done” when completed.

**Step 4.**

**CISCO UCS C245 M8**

Bundle Configuration: UCSC-R2L-M8-OFFER | Estimated Lead Time: 21 days | Price List: Global Price List (USD) | Total: 289,579.35

UCSC-C245-M8SX

1: CISCO INTERSIGHT requires a minimum of 1 component(s). Please add additional quantities as necessary. (CE100010)  
 2: The category CISCO INTERSIGHT is required. (CE100103)  
 3: Please note that this order will be placed on a Compliance Hold. Please reach out to sac-support@cisco.com to check if this order meets eligibility criteria for hold removal. Note that the order will remain on compliance hold if you do not reach out to sac-support@cisco.com to request eligibility check. (CE202322)

Available Components	Unit List Price (USD)	Product	Unit List Price (USD)	Adjusted List Price (USD)	Qty	Extended List Price (USD)
CISCO UCS C245 M8		UCSC-C245-M8SX Valid	21,702.10	21,702.10	3	287,932.35
UCSC-C245-M8SX UCS C245M8 Rack w/oCPU, mem, drv, 2Uw24SFF HDD/SSD backplane Estimated Lead Time: --	6,228.99	UCSC-C245-M8SX-FRE Invalid	1,647.00	1,647.00	1	1,647.00
UCSC-C245-M8SX-FRE UCS C245M8 R2L Free Rack w/oCPU, mem, drv, 2Uw24 SFF HDD/SSD Estimated Lead Time: --	0.00					

Configuration Summary | All prices shown in USD

- Note Status is now showing as Valid.
- Increase the quantity for multiples of same configuration.
- Click the “PLUS” to add and configure the same product with different option/quantities or select a different product.

**Step 5.**

**Cisco UCS C245 M8**

Bundle Configuration: UCSC-R2L-M8-OFFER | Estimated Lead Time: 21 days | Price List: Global Price List (USD) | Total: 289,579.35

UCSC-C245-M8SX

1: CISCO INTERSIGHT requires a minimum of 1 component(s). Please add additional quantities as necessary. (CE100010)  
 2: The category CISCO INTERSIGHT is required. (CE100103)  
 3: Please note that this order will be placed on a Compliance Hold. Please reach out to sac-support@cisco.com to check if this order meets eligibility criteria for hold removal. Note that the order will remain on compliance hold if you do not reach out to sac-support@cisco.com to request eligibility check. (CE202322)

Available Components	Unit List Price (USD)	Product	Unit List Price (USD)	Adjusted List Price (USD)	Qty	Extended List Price (USD)
CISCO UCS C245 M8		UCSC-C245-M8SX Valid	21,702.10	21,702.10	3	287,932.35
UCSC-C245-M8SX UCS C245M8 Rack w/oCPU, mem, drv, 2Uw24SFF HDD/SSD backplane Estimated Lead Time: --	6,228.99	UCSC-C245-M8SX-FRE Invalid	1,647.00	1,647.00	1	1,647.00
UCSC-C245-M8SX-FRE UCS C245M8 R2L Free Rack w/oCPU, mem, drv, 2Uw24 SFF HDD/SSD Estimated Lead Time: --	0.00					

Configuration Summary | All prices shown in USD

- Click on “Edit Services/Subscriptions” to edit Term Duration for HW Support.

**Note:** It is recommended that Term Duration for HW Support must align with Software Subscription Duration.

**Step 6.**

The screenshot shows the configuration page for Cisco UCS C245 M8. At the top, there are fields for 'Service Subscription' (UCSC-C245-M8SX), 'Price List' (Global Price List), 'Service Total (USD)' (941.00), and 'Subscription Total (USD)' (0.00). A blue arrow points from the 'UCSC-C245-M8SX' field to a green box labeled 'Services/Subscriptions'. Below this, there's a 'Service Options' section with a 'Duration' field set to '36' months. A red callout 'a' points to this field. To the right of the 'Duration' field are radio buttons for 'Duration' (selected), 'Delay service start to', and 'Co-Term service to'. Below these are 'Reset' and 'Apply' buttons. A red callout 'b' points to the 'Apply' button. At the bottom right, there's a 'Configuration Summary' table showing 'Services' with a total price of 4,941.00. A red callout 'b' points to the 'Done' button in the bottom right corner.

Service SKU	Product SKU	Unit List Price (USD)	Qty	Total List Price (USD)
Cisco Customer Experience Level 1 (1 ITEM)	L1NCO (CX LEVEL 1 8X7XNCDOS)			
CON-L1NCO-UCSCM8SX	UCSC-C245-M8SX	4,941.00	1	4,941.00
CX LEVEL 1 8X7XNCDOS UCS C245M8 Rack w/oCP...	UCS C245M8 Rack w/oCPU, mem, drv, 2Uw24SFF HD...		1	

- a. Enter the Term Duration
- b. Click on “Apply” and “Done”

**Step 7.**

The screenshot shows the configuration page for Cisco UCS C245 M8. At the top, there are fields for 'Bundle Configuration' (UCSC-R2L-M8-OFFER), 'Estimated Lead Time' (21 days), 'Service Total (USD)' (941.00), and 'Subscription Total (USD)' (0.00). A blue arrow points from the 'UCSC-C245-M8SX-FRE' field to a green box labeled 'CPU', 'Memory', and 'Drives'. Below this, there's an 'Available Components' section with 'UCSC-C245-M8SX' (6,228.99) and 'UCSC-C245-M8SX-FRE' (0.00). A red callout 'a' points to the '+' button next to the 'UCSC-C245-M8SX' price. Below this is a table of selected products. A red callout 'b' points to the 'Qty' field for the first product (3). A red callout 'c' points to the 'Add Custom Name' button for the second product. At the bottom right, there's a 'Configuration Summary' table showing 'Total' (25,431.75) and 'Estimated Lead Time' (21 days). A red callout 'b' points to the 'Done' button in the bottom right corner.

Product	Unit List Price (USD)	Adjusted List Price (USD)	Qty	Extended List Price (USD)
UCSC-C245-M8SX Invalid	7,928.25		3	23,784.75
UCSC-C245-M8SX-FRE Invalid	1,647.00		1	1,647.00

- Select Free Nodes Ex: UCSC-C245-M8SX-FRE in QTY of (QTY of Paid Node / 3) by clicking the “PLUS”
- Notice the UCSC-C245-M8SX-FRE Status is “invalid” as further configuration needed.
- Click on “Edit Options” to enter the configurator.

**Note:** Configuration of Paid Node and Free Node should be identical.

### Step 8.

The screenshot displays the configuration interface for the Cisco UCS C245 M8. At the top, the product configuration is identified as UCSC-C245-M8SX-FRE with an estimated lead time of 21 days and a total price of 0.00 USD. A warning message indicates that the configuration is invalid due to missing options. The interface is divided into a left-hand 'Configuration Summary' and a right-hand 'Processor' options table. The summary table lists categories like Processor, Memory, GPU Airduct, PCIe Riser Option, RAID Controller, Front Facing Drive Option, Rear Drive - Riser 1B/3B/3D, PCIe MILOM, and PCIE OPTIONS. The processor table lists various SKUs with their respective quantities, estimated lead times, and unit list prices. Annotations 'a' through 'd' highlight key steps: selecting the processor category, navigating to peripheral options, addressing warnings, and finalizing the configuration.

- Configure UCSC-C245-M8SX-FRE by selecting peripherals from category window on the left.
- PIDs are listed in the window on the right. Some PIDs like PCIe Riser and Drives are grouped according to type or series; select from the grouped options located above SKU window on the right.
- Follow warning messages to configure the minimum required option PIDs.
- Click on “Done” when completed.

### Step 9.

**CISCO UCS C245 M8**

Bundle Configuration: UCSC-R2L-M8-OFFER  
 Estimated Lead Time: 21 days  
 Total: 289,579.35

Set service preferences for this configuration

1: CISCO INTERSIGHT requires a minimum of 1 component(s). Please add additional quantities as necessary. (CE100010)  
 2: The category CISCO INTERSIGHT is required. (CE100103)  
 3: Please note that this order will be placed on a Compliance Hold. Please reach out to sac-support@cisico.com to check if this order meets eligibility criteria for hold removal. Note that the order will remain on compliance hold if you do not reach out to sac-support@cisico.com to request eligibility check. (CE202322)

Available Components	Unit List Price (USD)
CISCO UCS C245 M8	
UCSC-C245-M8SX UCS C245M8 Rack w/oCPU, mem, drv, 2Uw24SFF HDD/SSD backplane Estimated Lead Time: --	6,228.99
UCSC-C245-M8SX-FRE UCS C245M8 R2L Free Rack w/oCPU, mem, drv, 2Uw24SFF HDD/SSD Estimated Lead Time: --	0.00
CISCO INTERSIGHT	

Product	Unit List Price (USD)	Adjusted List Price (USD)	Qty	Extended List Price (USD)
UCSC-C245-M8SX Valid UCS C245M8 Rack w/oCPU, mem, drv, 2Uw24SFF HDD/SSD backplane Add Custom Name   Edit Options   Edit Services/Subscriptions   Remove Line		21,702.10	3	287,932.35
UCSC-C245-M8SX-FRE Valid UCS C245M8 R2L Free Rack w/oCPU, mem, drv, 2Uw24SFF HDD/SSD Add Custom Name   Edit Options   Edit Services/Subscriptions   Remove Line		1,647.00	1	1,647.00

CISCO INTERSIGHT > 0 Selected (Min 1, Max 1)

Configuration Summary All prices shown in USD

- a. Note Status is now showing as “Valid”.
- b. Increase the quantity for multiples of same configuration.
- c. Click the “PLUS” to add and configure the same product with different option/quantities or select a different product.

**Step 10.**

**Cisco UCS C245 M8**

Bundle Configuration: UCSC-R2L-M8-OFFER  
 Estimated Lead Time: 21 days  
 Global Price List (USD)  
 Total: 289,579.35

Set service preferences for this configuration

1: CISCO INTERSIGHT requires a minimum of 1 component(s). Please add additional quantities as necessary. (CE100010)  
 2: The category CISCO INTERSIGHT is required. (CE100103)  
 3: Please note that this order will be placed on a Compliance Hold. Please reach out to sac-support@cisico.com to check if this order meets eligibility criteria for hold removal. Note that the order will remain on compliance hold if you do not reach out to sac-support@cisico.com to request eligibility check. (CE202322)

Available Components	Unit List Price (USD)
CISCO UCS C245 M8	
UCSC-C245-M8SX UCS C245M8 Rack w/oCPU, mem, drv, 2Uw24SFF HDD/SSD backplane Estimated Lead Time: --	6,228.99
UCSC-C245-M8SX-FRE UCS C245M8 R2L Free Rack w/oCPU, mem, drv, 2Uw24SFF HDD/SSD Estimated Lead Time: --	0.00
CISCO INTERSIGHT	

Product	Unit List Price (USD)	Adjusted List Price (USD)	Qty	Extended List Price (USD)
UCSC-C245-M8SX Valid UCS C245M8 Rack w/oCPU, mem, drv, 2Uw24SFF HDD/SSD backplane Add Custom Name   Edit Options   Edit Services/Subscriptions   Remove Line		21,702.10	3	287,932.35
UCSC-C245-M8SX-FRE Valid UCS C245M8 R2L Free Rack w/oCPU, mem, drv, 2Uw24SFF HDD/SSD Add Custom Name   Edit Options   Edit Services/Subscriptions   Remove Line		1,647.00	1	1,647.00

CISCO INTERSIGHT > 0 Selected (Min 1, Max 1)

Configuration Summary All prices shown in USD

- a. Click on “Edit Services/Subscriptions” to edit Term Duration for HW Support.

**Note:** It is recommended that Term Duration for HW Support must align with Software Subscription Duration.

**Step 11.**

The screenshot shows the configuration page for Cisco UCS C245 M8. At the top, a green box highlights "Cisco UCS C245 M8". Below it, a blue arrow points from the "Service" tab to a green box labeled "Services/Subscriptions". The page displays the service "UCSC-C245-M8SX-FRE" with a price of 4,941.00 USD. A message states: "The duration that you entered has been successfully applied to all the services. (C0329)". Under "Service Options", the "Time Duration" is set to 36 months. A red arrow labeled 'a' points to the "Duration" input field. Below the options is a table of services:

Service SKU	Product SKU	Unit List Price (USD)	Qty	Total List Price (USD)
Cisco Customer Experience Level 1 (1 ITEM)	L1NCO (CX LEVEL 1 8X7XNCDOS)			
CON-L1NCO-UC24M8SX		4,941.00	1	4,941.00
CX LEVEL 1 8X7XNCDOS UCS C245M8 R2L Free Rac...	UCSC-C245-M8SX-FRE		1	
SERVICE SKU	UCS C245M8 R2L Free Rack w/oCPU, mem, drv, 2Uw2...			
	PRODUCT SKU			

At the bottom right, a "Configuration Summary" shows "Services" with a total price of 4,941.00. A red arrow labeled 'b' points to the "Done" button.

- a. Enter the Term Duration.
- b. Click on “Apply” and “Done”

**Step 12.**



**Cisco InterSight**

Bundle Configuration: UCSC-R2L-M8-OFFER | Estimated Lead Time: 21 days | Price List: Global Price List (USD)

Set service preferences for this configuration [Cancel] [Done]

1: Please note that InterSight is required selection and needed for the M8 Server to function. All orders with CNDL-DESELECT-D will be manually reviewed for Compliance. (CE202322)  
 2: Please note that this order will be placed on a Compliance Hold. Please reach out to sac-support@cisco.com to check if this order meets eligibility criteria for hold removal. Note that the order will remain on compliance hold if you do not reach out to sac-support@cisco.com to request eligibility check. (CE202322)

CNDL-DESELECT-D has been added to the bundle category CISCO INTERSIGHT.

Available Components	Unit List Price (USD)
CISCO UCS C245 M8	
CISCO INTERSIGHT	
DC-MGT-SaaS Cisco InterSight SaaS	0.00
CNDL-DESELECT-D Conditional Deselect Estimated Lead Time: 7 days	0.00

CISCO UCS C245 M8 > 4 Selected (Min 0, Max 400)

Product	Unit List Price (USD)	Adjusted List Price (USD)	Qty	Extended List Price (USD)
UCSC-C245-M8SX Valid ⚠️ UCS C245M8 Rack w/oCPU, mem, drv, 2Uw24SFF HDD/SSD backplane Add Custom Name   Edit Options   Edit Services/Subscriptions   Remove Line		24,996.10	3	297,814.35
UCSC-C245-M8SX-FRE Valid ⚠️ UCS C245M8 R2L Free Rack w/oCPU, mem, drv, 2Uw24SFF HDD/SSD Add Custom Name   Edit Options   Edit Services/Subscriptions   Remove Line		4,941.00	1	4,941.00

Add a CISCO UCS C245 M8 from the left panel

CISCO INTERSIGHT > 1 Selected (Min 1, Max 1)

Product	Unit List Price (USD)	Adjusted List Price (USD)	Qty	Extended List Price (USD)
CNDL-DESELECT-D   ⚠️ Conditional Deselect Add Custom Name   Select Options   Remove Line   Dependent Hardware ⓘ		0.00	1	0.00

- a. CNDL-DESELECT-D is meant to select only if Customer has already purchased Cisco InterSight License via EA Contract or order is for Disti Fulfillment. Please make selection by clicking “PLUS”.
- b. Please note that InterSight is required selection and needed for the Server to function. Click on Select Options to configure.

**Step 13.**

**Cisco InterSight**

Product Configuration: CNDL-DESELECT-D part of UCSC-R2L-M8-OFFER | Estimated Lead Time: 7 days | Price List: Global Price List (USD) | Total (USD)

Configuration Summary [View Full Summary]

Category	Qty	Extended List Price (USD)
Reason Codes		
OPTOUT-DISTI-ONLY	1	0.00

Total: 0.00 | Estimated Lead Time: 7 days

Reset Configuration [Cancel] [Done]

CNDL-DESELECT-D > Reason Codes

SKU	Qty	Estimated Lead Time	Unit List Price (USD)
<input checked="" type="radio"/> OPTOUT-DISTI-ONLY For Disti when ordering mandatory licenses separately	1	3 days	0.00
<input type="radio"/> OPTOUT-EA-ONLY License not needed: Customer already owns Licenses in an EA	1	3 days	0.00
<input type="radio"/> OPTOUT-ENTL-SWAP License not needed: Entitlements updated in Smart Account. <a href="#">More</a>	1	3 days	0.00

Clear Selection | Show Incompatible SKUs

- a. Please select appropriate Reason Code.

**Step 14.**

Bundle Configuration: UCSC-R2L-M8-OFFER | Estimated Lead Time: 21 days | Price List: Global Price List (USD) | Total: 302,755.35

Set service preferences for this configuration

1: Please note that Intersight is required selection and needed for the M8 Server to function. All orders with CNDL-DESELECT-D will be manually reviewed for Compliance. (CE202322)  
 2: Please note that this order will be placed on a Compliance Hold. Please reach out to sac-support@cisco.com to check if this order meets eligibility criteria for hold removal. Note that the order will remain on compliance hold if you do not reach out to sac-support@cisco.com to request eligibility check. (CE202322)

**Available Components**

- CISCO UCS C245 M8
  - UCSC-C245-M8SX (6,228.99)
    - UCS C245M8 Rack w/oCPU, mem, drv, 2Uw24SFF HDD/SSD backplane
  - UCSC-C245-M8SX-FRE (0.00)
    - UCS C245M8 R2L Free Rack w/oCPU, mem, drv, 2Uw24SFF HDD/SSD
- CISCO INTERSIGHT

**Product Selections**

UCS C245 M8 > 4 Selected (Min 0, Max 400)

Product	Unit List Price (USD)	Adjusted List Price (USD)	Qty	Extended List Price (USD)
UCSC-C245-M8SX Valid	24,996.10	24,996.10	3	297,814.35
UCSC-C245-M8SX-FRE Valid	4,941.00	4,941.00	1	4,941.00
Add a CISCO UCS C245 M8 from the left panel				

CISCO INTERSIGHT > 1 Selected (Min 1, Max 1)

Product	Unit List Price (USD)	Adjusted List Price (USD)	Qty	Extended List Price (USD)
CNDL-DESELECT-D Valid	0.00	0.00	1	0.00
Conditional Deselect				

- Configuration for MLB is completed when status of each Product is Valid and warning messages are cleared.
- Click on the "PLUS" to expand and view the selections made for each Product.

**Step 15.** Click on the "DONE" to complete the MLB Configuration.

**Cisco Intersight** → **DC-MGT-SAAS**

Set preferences for this estimate

Search by Sku, Program ID, Description and Product Family | 1 | Add | Find Products & Solutions | Actions

The product discounts are cascaded to subscription items, however subscription items may only be eligible for lower discounts. To apply the proper discount to subscription items, click on "MORE" and then, "Apply Discount".

Remove Selected Lines | Apply Success Track | More | Filter By: All Items

	Hardware, Software and Services	Estimated Lead Time	Unit List Price (USD)	Qty	Unit Net Price (USD)	Discount (%)	Extended Net Price (USD)
+	1.0 UCSC-R2L-M8-OFFER more UCSC Refuse to Lose M8 Offer Valid as of 22-Mar-2024 12:22:57 PDT	21 days	29,937.10	1	29,937.10	0.00	302,755.35

Edit Options | Validate | Recommended Content | Add Note | More Actions | Add Subtotal

- Configuration of UCSC-R2L-M8-OFFER is now Valid and Line No. 1.0 represents HW only Configuration.
- Intersight is a required selection, if you have not previously purchased Cisco Intersight Software and needs to added in Line 2.0 which will represent SW only Configuration.

Step 16.

The screenshot shows the Cisco Intersight configurator interface. At the top, a green box labeled "Cisco Intersight" has an arrow pointing to another green box labeled "DC-MGT-SAAS". Below this, the interface includes a search bar with the text "Search by Sku , Program ID , Description and Product Family" and a quantity of "1". A red box labeled "a" points to the "Add" button next to the search bar. Below the search bar, there is an information icon and a message: "The product discounts are cascaded to subscription items, however subscription items may only be eligible for lower discounts. To apply the proper discount to subscription items, click on 'MORE' and then, 'Apply Discount'". Below this message, there are buttons for "Remove Selected Lines", "Apply Success Track", and a "More" dropdown. A "Filter By" dropdown is set to "All Items". The main table lists items with columns for checkboxes, icons, item names, estimated lead times, unit list prices, quantities, unit net prices, discounts, and extended net prices. The first item is "UCSC-R2L-M8-OFFER" with a 21-day lead time and a unit price of 29,937.10. The second item is "DC-MGT-SAAS" with a 3-day lead time and a unit price of 0.00. A red box labeled "b" points to the plus icon next to the "DC-MGT-SAAS" item. Below the "DC-MGT-SAAS" item, there are details for "Requested Start Date" (25-Mar-2024), "Requested For Initial Term" (36 Months From 25-Mar-2024 To 24-Mar-2027), "Automatically Renews For" (12 Months From 25-Mar-2027), and "Billing Frequency" (Prepaid Term).

	Hardware, Software and Services	Estimated Lead Time	Unit List Price (USD)	Qty	Unit Net Price (USD)	Discount (%)	Extended Net Price (USD)
<input type="checkbox"/>	1.0 UCSC-R2L-M8-OFFER more UCSC Refuse to Lose M8 Offer Valid as of 22-Mar-2024 12:22:57 PDT Edit Options   Validate   Recommended Content   Add Note   More Actions	21 days	29,937.10	1	29,937.10	0.00	302,755.35
<input type="checkbox"/>	2.0 DC-MGT-SAAS more Cisco Intersight SaaS Valid as of 22-Mar-2024 12:27:43 PDT Requested Start Date: 25-Mar-2024 Requested For Initial Term: 36 Months From 25-Mar-2024 To 24-Mar-2027 Automatically Renews For: 12 Months From 25-Mar-2027 Billing Frequency: Prepaid Term Edit Options   Validate   Recommended Content   Add Note   More Actions	3 days	0.00 MRC	1	0.00	0.00	0.00 Total of MRC

- a. In CCW, search for DC-MGT-SAAS PID and click on “Add”
- b. Intersight is a required selection, if you have not previously purchased Cisco Intersight Software. Click on Select Options to enter the configurator.

Step 17.

**Cisco Intersight**

**DC-MGT-SAAS**

### Current Terms and Billings

Requested Start Date: 25-Mar-2024  
 Automatically Renews For: 12 Months on 25-Mar-2027  
 Requested For: 36 Months From 25-Mar-2024 To 24-Mar-2027  
 Billing Frequency: Prepaid Term

### New Terms and Billing

Requested For > 36 Months from 25-Mar-2024 to 24-Mar-2027

Auto Renewal:  On **a**

Automatically Renews For: 12 Months on 25-Mar-2027  
 Enter any whole month value from 0-12

Requested Start Date: 25 Mar 2024 **a**  
 Enter a date between 22-Mar-2024 & 19-Jun-2024.

Billing Frequency:  Prepaid Term **b**

End Date:  Effective For 36 Months **b**  
 Enter whole month count from 1 to 96

Co-Term to an End Date **b**

- a. **Requested Start Date (RSD)** It is recommended that when you book your SaaS Product, you select a Request Start Date (RSD) 90 days into the future.
- b. **End Date** (duration in months) is defaulted to **36 Months**, **Auto Renewal** (on/off) is defaulted to **On** and **Billing Frequency** is defaulted to **Prepaid Term**. You can still change the setting accordingly.

**Step 18.**

**Cisco Intersight**

**DC-MGT-SAAS**

Subscription USD 5,040.00 | Service USD 0.00

Expand All | Collapse All | Reset Configuration

Summary | Terms | Messages

#### Configuration Summary

Hide Included Items

PRODUCTS	QUANTITY	EXTENDED LIST PRICE
<b>Cisco Intersight 2.0 Infrastructure Services</b>		
DC-MGT-IS-SAAS-ES SA Infrastructure Services SaaS/CVA - Essentials 35.00 Per Device/Month	4 Device	5,040.00
<b>Cisco Intersight Support</b>		
SVS-DCM-SUPT-BAS 1 Each		0.00
<b>Auto Expansion</b>		
DC-MGT-UCSC-1S SA 4 Device		0.00
DC-MGT-ADOPT-BAS 1 License		0.0000

Cisco Intersight Workload Optimizer (IWO) - SaaS

- a. The quantity of Cisco Intersight 2.0 Infrastructure Services License under Offer: DC-MGT-SAAS should be equal to the quantity of Server selected. Enter the quantity.

**Step 19.**

The screenshot shows the Cisco Intersight configuration page for 'DC-MGT-SAAS'. The main table lists products with columns for PRODUCTS, UNIT LIST PRICE, STATUS, QUANTITY, and ACTION. A red box labeled 'a' points to the 'Solution Support for DC Mgmt' row. The configuration summary on the right shows the following items:

PRODUCTS	QUANTITY	EXTENDED LIST PRICE
<b>Cisco Intersight 2.0 Infrastructure Services</b>		
DC-MGT-IS-SAAS-ES SA 35.00 Per Device/Month x 36 Months	4 Device	5,040.00
<b>Cisco Intersight Support</b>		
SVS-DCM-SUPT-BAS	1 Each	0.00
<b>Auto Expansion</b>		
DC-MGT-UCSC-1S SA	4 Device	0.00
DC-MGT-ADOPT-BAS	1 License	0.0000

- a. The Cisco Intersight License comes with separate Support. Basic Embedded Support is the default selection. It is recommended that Customer should upgrade to Solution Support or CX Success Track L1 or L2 for the HW.

**Step 20.**

Set preferences for this estimate ▼

Search by Sku , Program ID , Description and Product Family  Add Find Products & Solutions Actions ▼

*i* The product discounts are cascaded to subscription items, however subscription items may only be eligible for lower discounts. To apply the proper discount to subscription items, click on "MORE" and then, "Apply Discount".

Remove Selected Lines Apply Success Track More ▼ Filter By All Items ▼ ☰ ☰

<input type="checkbox"/>	Hardware, Software and Services	Estimated Lead Time <i>i</i>	Unit List Price (USD)	Qty	Unit Net Price (USD)	Discount (%)	Extended Net Price (USD)
<input type="checkbox"/>	<span>+</span> 1.0 UCSC-R2L-M8-OFFER <span>more</span> <span>+</span>	21 days	29,937.10	1	29,937.10	0.00	302,755.35
	UCSC Refuse to Lose M8 Offer Valid as of 22-Mar-2024 12:22:57 PDT Edit Options   Validate   Recommended Content   Add Note   More Actions <span>▼</span> <span>Add Subtotal</span>						
<input type="checkbox"/>	<span>+</span> 2.0 DC-MGT-SAAS <span>SA</span> <span>more</span> <span>+</span>	3 days	140.00 <span>MRC</span>	1	140.00	0.00	5,040.00 <span>Total of MRC</span>
	Cisco Intersight SaaS Valid as of 22-Mar-2024 12:32:34 PDT Requested Start Date: 25-Mar-2024   Requested For Initial Term: 36 Months From 25-Mar-2024 To 24-Mar-2027   Automatically Renews For <i>i</i> : 12 Months From 25-Mar-2027   Billing Frequency: Prepaid Term Edit Options   Validate   Recommended Content   Add Note   More Actions <span>▼</span> <span>Add Subtotal</span>						

- a. Configuration for UCSC-R2L-M8-OFFER and DC-MGT-SAAS is now completed, and status of each Product is Valid.
- b. Click on the “PLUS” to expand and view the selections made for each Product.

**Scenario 2: Customer With Enterprise Agreement for Cisco Intersight Software License**  
**Step 1.**

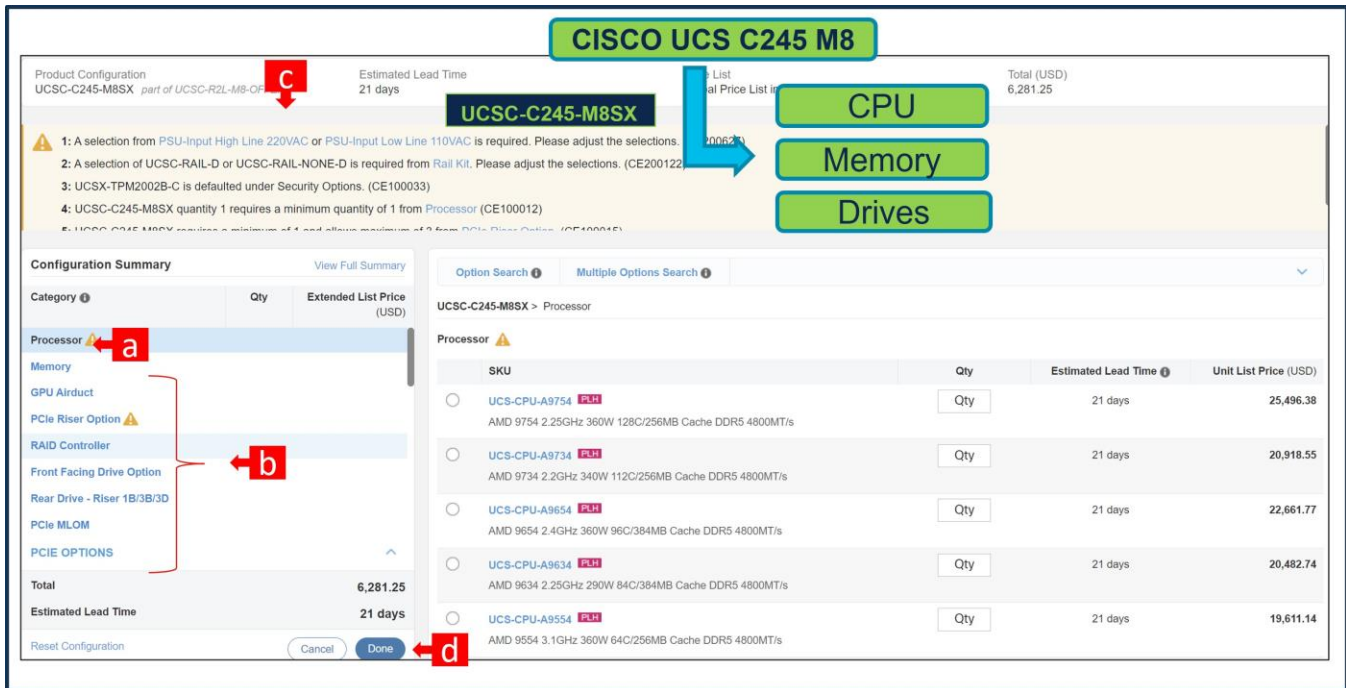
- a. In CCW, search for MLB PID and click on “Add”
- b. Click on “Select Options” to enter the configurator.

**Step 2.**

- a. Select Paid Node: UCSC-C245-M8SX in QTY of 3,6,9,12,15,18,21,24,27,30.....300 by clicking the “PLUS”.

- b. Notice the UCSC-C245-M8SX Status is now Invalid as further configuration needed.
- c. Click on “Edit Options” to enter the configurator.

**Step 3.**



- a. Configure UCSC-C245-M8SX by selecting peripherals from category window on the left.
- b. PIDs are listed in the window on the right. Some PIDs like PCIe Riser and Drives are grouped according to type or series; select from the grouped options located above SKU window on the right.
- c. Follow warning messages to configure the minimum required option PIDs.
- d. Click on “Done” when completed.

**Step 4.**



**CISCO UCS C245 M8**

**UCSC-C245-M8SX**

**CPU**

**Memory**

**Drives**

Bundle Configuration: UCSC-R2L-M8-OFFER  
Estimated Lead Time: 21 days  
Price List: Global Price List (USD)  
Total: 289,579.35

Set service preferences for this configuration

1: CISCO INTERSIGHT requires a minimum of 1 component(s). Please add additional quantities as necessary. (CE100010)  
2: The category CISCO INTERSIGHT is required. (CE100103)  
3: Please note that this order will be placed on a Compliance Hold. Please reach out to sac-support@cisco.com to check if this order meets eligibility criteria for hold removal. Note that the order will remain on compliance hold if you do not reach out to sac-support@cisco.com to request eligibility check. (CE202322)

Product	Unit List Price (USD)	Adjusted List Price (USD)	Qty	Extended List Price (USD)
UCSC-C245-M8SX Valid	6,228.99	21,702.10	3	287,932.35
UCSC-C245-M8SX-FRE Invalid	0.00	1,647.00	1	1,647.00

Available Components

- CISCO UCS C245 M8
  - UCSC-C245-M8SX: 6,228.99
  - UCSC-C245-M8SX-FRE: 0.00
- CISCO INTERSIGHT

Configuration Summary | All prices shown in USD

- Note Status is now showing as Valid.
- Increase the quantity for multiples of same configuration.
- Click the “PLUS” to add and configure the same product with different option/quantities or select a different product.

### Step 5.

**Cisco UCS C245 M8**

**UCSC-C245-M8SX**

**Services/Subscriptions**

Bundle Configuration: UCSC-R2L-M8-OFFER  
Estimated Lead Time: 21 days  
Price List: Global Price List (USD)  
Total: 289,579.35

Set service preferences for this configuration

1: CISCO INTERSIGHT requires a minimum of 1 component(s). Please add additional quantities as necessary. (CE100010)  
2: The category CISCO INTERSIGHT is required. (CE100103)  
3: Please note that this order will be placed on a Compliance Hold. Please reach out to sac-support@cisco.com to check if this order meets eligibility criteria for hold removal. Note that the order will remain on compliance hold if you do not reach out to sac-support@cisco.com to request eligibility check. (CE202322)

Product	Unit List Price (USD)	Adjusted List Price (USD)	Qty	Extended List Price (USD)
UCSC-C245-M8SX Valid	6,228.99	21,702.10	3	287,932.35
UCSC-C245-M8SX-FRE Invalid	0.00	1,647.00	1	1,647.00

Available Components

- CISCO UCS C245 M8
  - UCSC-C245-M8SX: 6,228.99
  - UCSC-C245-M8SX-FRE: 0.00
- CISCO INTERSIGHT

Configuration Summary | All prices shown in USD

- Click on “Edit Services/Subscriptions” to edit Term Duration for HW Support.

**Note:** It is recommended that Term Duration for HW Support must align with Software Subscription Duration.

**Step 6.**

The screenshot shows the configuration page for Cisco UCS C245 M8. At the top, there are fields for Service Subscription (UCSC-C245-M8SX), Price List (Global Price List), Service Total (USD) (941.00), and Subscription Total (USD) (0.00). A blue arrow points from the product name to a green box labeled 'Services/Subscriptions'. Below this, there's a section for 'Service Options' with a 'Duration' input field set to '36'. A red callout 'a' points to this field. To the right of the 'Duration' field are radio buttons for 'Duration', 'Delay service start to', and 'Co-Term service to'. Below the 'Duration' field are 'Reset' and 'Apply' buttons. A red callout 'b' points to the 'Apply' button. At the bottom right, there are 'Cancel' and 'Done' buttons. A red callout 'b' also points to the 'Done' button. A table below shows the service details:

Service SKU	Product SKU	Unit List Price (USD)	Qty	Total List Price (USD)
Cisco Customer Experience Level 1 (1 ITEM) SERVICE PROGRAM	L1NCO (CX LEVEL 1 8X7XNCDOS) SUMMARY			
CON-L1NCO-UCSCM8SX	Duration 36 Months			
CX LEVEL 1 8X7XNCDOS UCS C245M8 Rack w/oCP...	UCSC-C245-M8SX	4,941.00	1	4,941.00
SERVICE SKU	UCS C245M8 Rack w/oCPU, mem, drv, 2Uw24SFF HD...		1	
Change Service   Remove Service	PRODUCT SKU			

- a. Enter the Term Duration
- b. Click on “Apply” and “Done”

**Step 7.**

The screenshot shows the configuration page for Cisco UCS C245 M8. At the top, there are fields for Bundle Configuration (UCSC-R2L-M8-OFFER), Estimated Lead Time (21 days), and Total (75). A blue arrow points from the product name to a green box labeled 'CPU', 'Memory', and 'Drives'. Below this, there's a section for 'Available Components' with a table showing 'CISCO UCS C245 M8' (Unit List Price: 6,228.99) and 'CISCO INTERSIGHT' (Unit List Price: 0.00). A red callout 'a' points to the '+' button next to the 'CISCO UCS C245 M8' component. Below the 'Available Components' section, there's a table for 'CISCO UCS C245 M8 > 4 Selected (Min 0, Max 400)'. The table has columns for Product, Unit List Price (USD), Adjusted List Price (USD), Qty, and Extended List Price (USD). The first row is 'UCSC-C245-M8SX Invalid' with a quantity of 3 and an extended list price of 23,784.75. The second row is 'UCSC-C245-M8SX-FRE Invalid' with a quantity of 1 and an extended list price of 1,647.00. A red callout 'b' points to the 'Edit Services/Subscriptions' link for the first row. Below the table, there's a section for 'CISCO INTERSIGHT > 0 Selected (Min 0, Max 1)'. A red callout 'c' points to this section. At the bottom right, there are 'Cancel' and 'Done' buttons. A 'Configuration Summary' box shows 'Total' (25,431.75) and 'Estimated Lead Time' (21 days).

- Select Free Nodes Ex: UCSC-C245-M8SX-FRE in QTY of (QTY of Paid Node / 3) by clicking the “PLUS”
- Notice the UCSC-C245-M8SX-FRE Status is “invalid” as further configuration needed.
- Click on “Edit Options” to enter the configurator.

**Note:** Configuration of Paid Node and Free Node should be identical.

### Step 8.

The screenshot displays the configuration interface for a Cisco UCS C245 M8. At the top, the product configuration is identified as UCSC-C245-M8SX-FRE, with an estimated lead time of 21 days and a total price of 0.00 USD. A warning message (1) indicates that a selection from PSU-Input High Line 220VAC or PSU-Input Low Line is required. The configuration summary on the left shows the 'Processor' category selected, with a red box 'a' pointing to it. A red box 'b' points to a group of options including GPU Airduct, PCIe Riser Option, RAID Controller, Front Facing Drive Option, Rear Drive - Riser 1B/3B/3D, PCIe MILOM, and PCIE OPTIONS. The processor selection table on the right lists several options with their SKUs, quantities, estimated lead times, and unit list prices. A red box 'd' points to the 'Done' button at the bottom right.

SKU	Qty	Estimated Lead Time (d)	Unit List Price (USD)
UCS-CPU-A9754 [PLH] AMD 9754 2.25GHz 360W 128C/256MB Cache DDR5 4800MT/s	Qty	21 days	0.00
UCS-CPU-A9734 [PLH] AMD 9734 2.2GHz 340W 112C/256MB Cache DDR5 4800MT/s	Qty	21 days	0.00
UCS-CPU-A9654 [PLH] AMD 9654 2.4GHz 360W 96C/384MB Cache DDR5 4800MT/s	Qty	21 days	0.00
UCS-CPU-A9634 [PLH] AMD 9634 2.25GHz 290W 84C/384MB Cache DDR5 4800MT/s	Qty	21 days	0.00
UCS-CPU-A9554 [PLH] AMD 9554 3.1GHz 360W 64C/256MB Cache DDR5 4800MT/s	Qty	21 days	0.00

- Configure UCSC-C245-M8SX-FRE by selecting peripherals from category window on the left.
- PIDs are listed in the window on the right. Some PIDs like PCIe Riser and Drives are grouped according to type or series; select from the grouped options located above SKU window on the right.
- Follow warning messages to configure the minimum required option PIDs.
- Click on “Done” when completed.

### Step 9.

**CISCO UCS C245 M8**

Bundle Configuration: UCSC-R2L-M8-OFFER  
 Estimated Lead Time: 21 days  
 Total: 289,579.35

UCSC-C245-M8SX-FRE

Set service preferences for this configuration

1: CISCO INTERSIGHT requires a minimum of 1 component(s). Please add additional quantities as necessary. (CE100010)  
 2: The category CISCO INTERSIGHT is required. (CE100103)  
 3: Please note that this order will be placed on a Compliance Hold. Please reach out to sac-support@cisico.com to check if this order meets eligibility criteria for hold removal. Note that the order will remain on compliance hold if you do not reach out to sac-support@cisico.com to request eligibility check. (CE202322)

Available Components	Unit List Price (USD)
CISCO UCS C245 M8	
UCSC-C245-M8SX UCS C245M8 Rack w/oCPU, mem, drv, 2Uw24SFF HDD/SSD backplane Estimated Lead Time: --	6,228.99
UCSC-C245-M8SX-FRE UCS C245M8 R2L Free Rack w/oCPU, mem, drv, 2Uw24 SFF HDD/SSD Estimated Lead Time: --	0.00
CISCO INTERSIGHT	

Product	Unit List Price (USD)	Adjusted List Price (USD)	Qty	Extended List Price (USD)
UCSC-C245-M8SX Valid UCS C245M8 Rack w/oCPU, mem, drv, 2Uw24SFF HDD/SSD backplane Add Custom Name   Edit Options   Edit Services/Subscriptions   Remove Line		21,702.10	3	287,932.35
UCSC-C245-M8SX-FRE Valid UCS C245M8 R2L Free Rack w/oCPU, mem, drv, 2Uw24SFF HDD/SSD Add Custom Name   Edit Options   Edit Services/Subscriptions   Remove Line		1,647.00	1	1,647.00

CISCO INTERSIGHT > 0 Selected (Min 1, Max 1)

Configuration Summary All prices shown in USD

- Note Status is now showing as “Valid”.
- Increase the quantity for multiples of same configuration.
- Click the “PLUS” to add and configure the same product with different option/quantities or select a different product.

**Step 10.**

**Cisco UCS C245 M8**

Bundle Configuration: UCSC-R2L-M8-OFFER  
 Estimated Lead Time: 21 days  
 Global Price List (USD): 289,579.35

UCSC-C245-M8SX-FRE

Services/Subscriptions

Set service preferences for this configuration

1: CISCO INTERSIGHT requires a minimum of 1 component(s). Please add additional quantities as necessary. (CE100010)  
 2: The category CISCO INTERSIGHT is required. (CE100103)  
 3: Please note that this order will be placed on a Compliance Hold. Please reach out to sac-support@cisico.com to check if this order meets eligibility criteria for hold removal. Note that the order will remain on compliance hold if you do not reach out to sac-support@cisico.com to request eligibility check. (CE202322)

Available Components	Unit List Price (USD)
CISCO UCS C245 M8	
UCSC-C245-M8SX UCS C245M8 Rack w/oCPU, mem, drv, 2Uw24SFF HDD/SSD backplane Estimated Lead Time: --	6,228.99
UCSC-C245-M8SX-FRE UCS C245M8 R2L Free Rack w/oCPU, mem, drv, 2Uw24 SFF HDD/SSD Estimated Lead Time: --	0.00
CISCO INTERSIGHT	

Product	Unit List Price (USD)	Adjusted List Price (USD)	Qty	Extended List Price (USD)
UCSC-C245-M8SX Valid UCS C245M8 Rack w/oCPU, mem, drv, 2Uw24SFF HDD/SSD backplane Add Custom Name   Edit Options   Edit Services/Subscriptions   Remove Line		21,702.10	3	287,932.35
UCSC-C245-M8SX-FRE Valid UCS C245M8 R2L Free Rack w/oCPU, mem, drv, 2Uw24SFF HDD/SSD Add Custom Name   Edit Options   Edit Services/Subscriptions   Remove Line		1,647.00	1	1,647.00

CISCO INTERSIGHT > 0 Selected (Min 1, Max 1)

Configuration Summary All prices shown in USD

- a. Click on “Edit Services/Subscriptions” to edit Term Duration for HW Support.

**Note:** It is recommended that Term Duration for HW Support must align with Software Subscription Duration.

**Step 11.**

The screenshot shows the configuration page for Cisco UCS C245 M8. At the top, a green box highlights "Cisco UCS C245 M8". Below it, a blue arrow points from the product name to a green box labeled "Services/Subscriptions". The page displays the service subscription details for UCSC-C245-M8SX-FRE, with a price of 4,941.00 USD. A message states: "The duration that you entered has been successfully applied to all the services. (C0329)". Under "Service Options", the "Time Duration" is set to 36 months. A red arrow labeled 'a' points to the "Duration" input field. Below the options, there is a table of services with columns for Service SKU, Product SKU, Unit List Price (USD), Qty, and Total List Price (USD). The table lists two services: "Cisco Customer Experience Level 1 (1 ITEM)" and "CON-L1NCO-UC24M8SX". A red arrow labeled 'b' points to the "Apply" button. At the bottom right, a "Configuration Summary" box shows the total price of 4,941.00 USD, with a red arrow labeled 'b' pointing to the "Done" button.

- a. Enter the Term Duration.
- b. Click on “Apply” and “Done”

**Step 12.**

**Cisco InterSight**

**CNDL-DESELECT-D**

Bundle Configuration: UCSC-R2L-M8-OFFER | Estimated Lead Time: 21 days | Price List: Global Price List (USD)

Set service preferences for this configuration

1: Please note that InterSight is required selection and needed for the M8 Server to function. All orders with CNDL-DESELECT-D will be manually reviewed for Compliance. (CE202322)  
 2: Please note that this order will be placed on a Compliance Hold. Please reach out to sac-support@cisco.com to check if this order meets eligibility criteria for hold removal. Note that the order will remain on compliance hold if you do not reach out to sac-support@cisco.com to request eligibility check. (CE202322)

CNDL-DESELECT-D has been added to the bundle category CISCO INTERSIGHT.

Available Components	Unit List Price (USD)
CISCO UCS C245 M8	
CISCO INTERSIGHT	
DC-MGT-SaaS Cisco InterSight SaaS	0.00
CNDL-DESELECT-D Conditional Deselect Estimated Lead Time: 7 days	0.00

Product	Unit List Price (USD)	Adjusted List Price (USD)	Qty	Extended List Price (USD)
UCSC-C245-M8SX UCS C245M8 Rack w/oCPU, mem, drv, 2Uw24SFF HDD/SSD backplane		24,996.10	3	297,814.35
UCSC-C245-M8SX-FRE UCS C245M8 R2L Free Rack w/oCPU, mem, drv, 2Uw24SFF HDD/SSD	4,941.00		1	4,941.00

Product	Unit List Price (USD)	Adjusted List Price (USD)	Qty	Extended List Price (USD)
CNDL-DESELECT-D Conditional Deselect		0.00	1	0.00

- a. CNDL-DESELECT-D is meant to select only if Customer has already purchased Cisco InterSight License via EA Contract or order is for Disti Fulfillment. Please make selection by clicking “PLUS”.
- b. Please note that InterSight is required selection and needed for the Server to function. Click on Select Options to configure.

**Step 13.**

**Cisco InterSight**

**CNDL-DESELECT-D**

Product Configuration: CNDL-DESELECT-D part of UCSC-R2L-M8-OFFER | Estimated Lead Time: 7 days | Price List: Global Price List (USD) | Total (USD)

Configuration Summary

Category	Qty	Extended List Price (USD)
Reason Codes		
OPTOUT-DISTI-ONLY	1	0.00

Total: 0.00 | Estimated Lead Time: 7 days

Reason Codes

SKU	Qty	Estimated Lead Time	Unit List Price (USD)
OPTOUT-DISTI-ONLY For Disti when ordering mandatory licenses separately	1	3 days	0.00
OPTOUT-EA-ONLY License not needed: Customer already owns Licenses in an EA	1	3 days	0.00
OPTOUT-ENTL-SWAP License not needed: Entitlements updated in Smart Account. More	1	3 days	0.00

- a. Please select appropriate Reason Code.

**Step 14.**

Bundle Configuration: UCSC-R2L-M8-OFFER | Estimated Lead Time: 21 days | Price List: Global Price List (USD) | Total: 302,755.35

Set service preferences for this configuration ▾ [Cancel] [Done]

⚠ 1: Please note that Intersight is required selection and needed for the M8 Server to function. All orders with CNDL-DESELECT-D will be manually reviewed for Compliance. (CE202322)  
 ⚠ 2: Please note that this order will be placed on a Compliance Hold. Please reach out to sac-support@cisco.com to check if this order meets eligibility criteria for hold removal. Note that the order will remain on compliance hold if you do not reach out to sac-support@cisco.com to request eligibility check. (CE202322)

Available Components	Unit List Price (USD)
CISCO UCS C245 M8	
UCSC-C245-M8SX UCS C245M8 Rack w/oCPU, mem, drv, 2Uw24SFF HDD/SSD backplane Estimated Lead Time: --	6,228.99
UCSC-C245-M8SX-FRE UCS C245M8 R2L Free Rack w/oCPU, mem, drv, 2Uw24 SFF HDD/SSD Estimated Lead Time: --	0.00
CISCO INTERSIGHT	

Product	Unit List Price (USD)	Adjusted List Price (USD)	Qty	Extended List Price (USD)
UCSC-C245-M8SX Valid ⚠ UCS C245M8 Rack w/oCPU, mem, drv, 2Uw24SFF HDD/SSD backplane Add Custom Name   Edit Options   Edit Services/Subscriptions   Remove Line		24,996.10	3	297,814.35
UCSC-C245-M8SX-FRE Valid ⚠ UCS C245M8 R2L Free Rack w/oCPU, mem, drv, 2Uw24SFF HDD/SSD Add Custom Name   Edit Options   Edit Services/Subscriptions   Remove Line		4,941.00	1	4,941.00
Add a CISCO UCS C245 M8 from the left panel				
Product	Unit List Price (USD)	Adjusted List Price (USD)	Qty	Extended List Price (USD)
CNDL-DESELECT-D Valid ⚠ Conditional Deselect Add Custom Name   Edit Options   Remove Line   Dependent Hardware ⓘ		0.00	1	0.00

- Configuration for MLB is completed when status of each Product is Valid and warning messages are cleared.
- Click on the “PLUS” to expand and view the selections made for each Product.
- Click on the “DONE” to complete the MLB Configuration.