



Scalable Time Distribution within a Converged Plantwide Ethernet Architecture

Rockwell Automation and Cisco Four Key Initiatives:

- **Common Technology View:**
A single scalable architecture, using open EtherNet/IP™ standard networking technologies, is paramount to enable the Industrial Internet of Things for achieving the flexibility, visibility and efficiency required in a competitive manufacturing environment.
- **Converged Plantwide Ethernet Architectures:**
Collection of tested and validated architectures developed by subject matter authorities at Cisco, Panduit, and Rockwell Automation. The content of CPwE is relevant to both Operational Technology (OT) and Information Technology (IT) disciplines and consists of documented architectures, best practices, guidance, and configuration settings to help manufacturers with design and deployment of a scalable, reliable, safe, secure, and future-ready plant-wide industrial network infrastructure.
- **Joint Product Collaboration:**
Stratix® 5950 Industrial Firewall, FactoryTalk® Network Manager™, Stratix 5700, Stratix 5400, Stratix 5410, and Stratix 5800 Industrial Ethernet Switches, incorporating the best of Cisco and the best of Rockwell Automation.
- **People and Process Optimization:**
Education and services to facilitate Operational Technology (OT) and Information Technology (IT) convergence, which helps to assist with successful architecture deployment, and helps to enable efficient operations that allow critical resources to focus on increasing innovation and productivity.

White Paper

April 2019

Scalable Time Distribution within a Converged Plantwide Ethernet Architecture

The prevailing trend in Industrial Automation and Control System (IACS) networking is the convergence of technology, specifically IACS operational technology (OT) with information technology (IT). Converged Plantwide Ethernet (CPwE) helps to enable IACS network and security technology and OT-IT persona convergence through the use of standard Ethernet, Internet Protocol (IP), network services, security services, time synchronization technologies, and EtherNet/IP. A real-time converged plant-wide IACS architecture helps to enable the Industrial Internet of Things (IIoT).

Business practices, corporate standards, policies, industry standards, and tolerance to risk are key factors in determining the degree of time synchronization required within a plant-wide IACS architecture. IACS networks differ from their IT counterparts in their need to support significantly lower latency (time delay between message sent and message received) and jitter (the variance of the latency) to help enable real-time IACS communications. Time synchronization helps to support time-critical data for the most demanding IACS applications.

Successful deployment of IIoT IACS applications within CPwE Architectures ([Figure 1](#)) depends on a network infrastructure design that addresses IACS application performance requirements. The content of CPwE, which is relevant to both OT and IT disciplines, consists of documented architectures and key tenets from OT and IT to help achieve real-time communications to support IIoT IACS applications. CPwE key tenets include:

- **Smart IIoT Devices**—controllers, I/O, drives, instrumentation, actuators and analytics
- **Zoning (segmentation)**—smaller connected LANs, functional areas and security groups
- **Managed Infrastructure**—managed industrial Ethernet switches (IES) and industrial firewalls
- **Resiliency**—robust physical layer and resilient or redundant topologies with resiliency protocols
- **Time-critical Data**—data prioritization and time synchronization via CIP Sync™ and IEEE-1588 Precision Time Protocol (PTP)
- **Wireless**—unified wireless LAN (WLAN) to enable mobility for personnel and equipment
- **Holistic Defense-in-Depth Security**—multiple layers of diverse technologies for threat detection and prevention, implemented by different persona (e.g., OT and IT) and applied at different levels of the plant-wide IACS architecture
- **Convergence-ready**—seamless plant-wide integration by trusted partner applications

The ODVA, Inc. CIP Sync technology uses the Common Industrial Protocol (CIP™) application layer protocol and the IEEE 1588-2008 Precision Time Protocol (PTP) standard for time synchronization. CIP Sync and IEEE 1588-2008 are designed for local and plant-wide IACS applications requiring very high accuracies beyond those attainable with Network Time Protocol (NTP).

Deploying Scalable Time Distribution within a Converged Plantwide Ethernet Architecture Design Guide (CPwE Time) outlines several use cases for designing and deploying IEEE 1588 PTP and CIP Sync technology throughout a plant-wide IACS network infrastructure. CPwE Time was architected, tested and verified by Cisco Systems and Rockwell Automation with assistance by Panduit.

CPwE Time Solution Use Cases

CPwE is the underlying architecture that provides standard network and security services for control and information disciplines, devices and equipment found in modern IACS applications. The CPwE architectures (Figure 1) were architected, tested and validated to provide design and implementation guidance, test results and documented configuration settings. This can help to achieve the real-time communication, reliability, scalability, security and resiliency requirements of modern IACS applications.

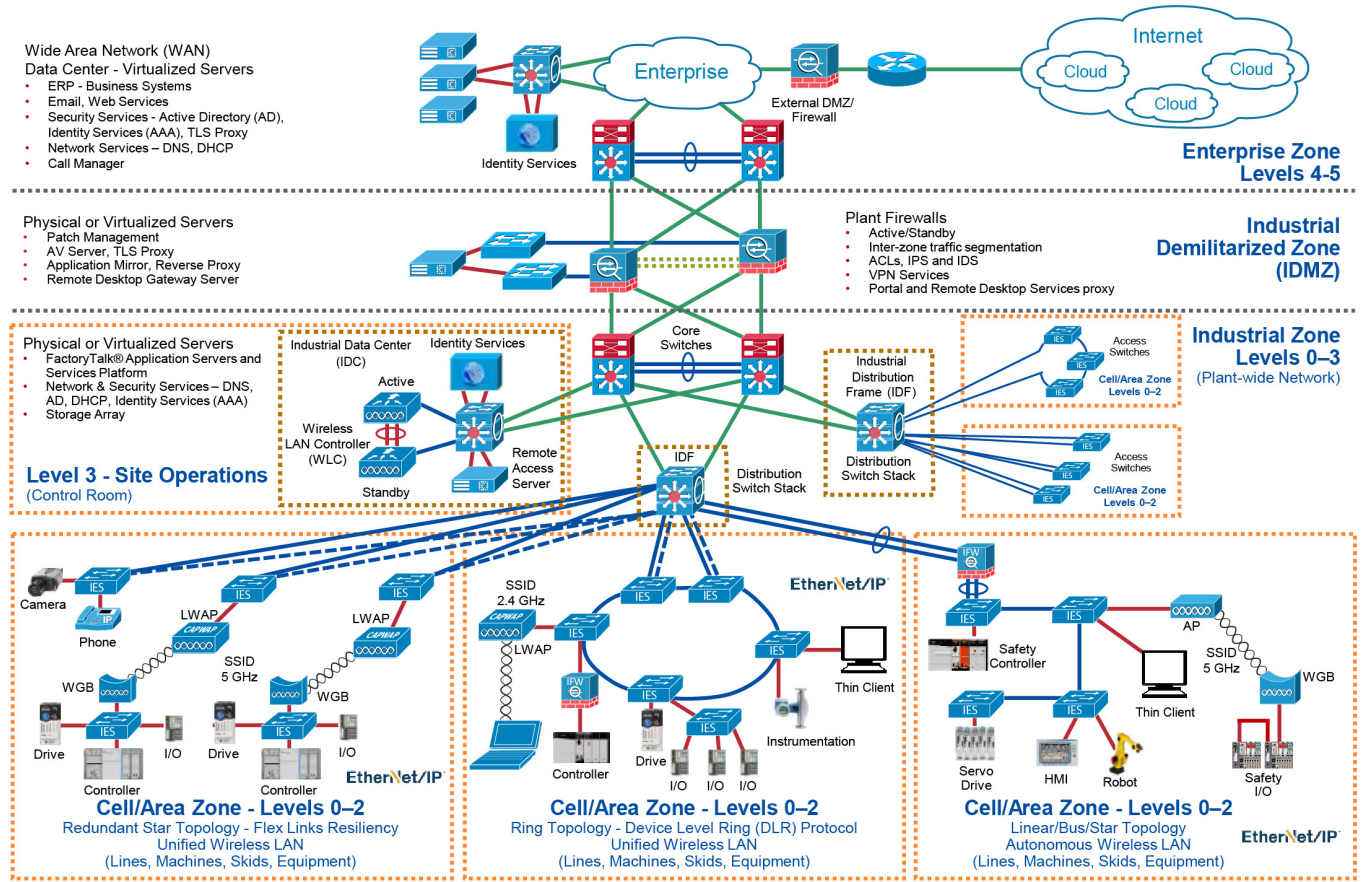
An IACS is deployed in a wide variety of discrete and process manufacturing industries such as automotive, pharmaceuticals, consumer packaged goods, pulp and paper, oil and gas, water/wastewater, mining and energy. IACS applications are made up of multiple control and information disciplines such as continuous process, batch and discrete and hybrid combinations. One of the challenges facing industrial operations is the industrial hardening of standard Ethernet and IP-converged IACS networking technologies to take advantage of the business benefits associated with IIoT.

The *Deploying Scalable Time Distribution within a Converged Plantwide Ethernet Architecture Design Guide* outlines the concepts, requirements and technology solutions for reference designs developed around a specific set of priority use cases. These use cases were architected and tested for solution functional verification with limited scale by Cisco Systems and Rockwell Automation with assistance by Panduit to help support time synchronization within a converged plant-wide EtherNet/IP IACS architecture.

The CPwE Time Design Guide includes:

- Time Synchronization Overview:
 - IEEE 1588 Precision Time Protocol (PTP)
 - ODVA, Inc. CIP Sync
- Time Synchronization Use Cases—the following represents a portion of the use cases:
 - Time stamping
 - First fault detection
 - Sequence of Events (SOE)
 - Distributed Motion (not included in CPwE Time)
- Plant-wide Architectures for Reliable Time Synchronization:
 - Design, configuration and diagnostic considerations for plant-wide (Levels 0-3) IEEE 1588 PTP and CIP Sync deployments
 - Limited resiliency and reliability PoC testing
- Selection of Industrial Ethernet Switches (IES):
 - Layer 2 IES—Allen-Bradley® Stratix 5700/5400
 - Layer 3 IES—Allen-Bradley Stratix 5410

Figure 1 CPwE Architectures



Note

This release of the CPwE architecture focuses on EtherNet/IP connectivity, which uses the ODVA, Inc. Common Industrial Protocol (CIP) and is ready for the Industrial Internet of Things (IIoT). For more information on EtherNet/IP and CIP Sync, see [odva.org](https://www.odva.org) at the following URL:

- <https://www.odva.org/Technology-Standards/EtherNet-IP/Overview>

CPwE Time Architecture Overview

ODVA, Inc. CIP Sync is used across a broad range of IACS applications to synchronize control system clocks (Figure 2) and helps enable applications such as event sequencing and logging. For example:

- A sequence of events or first fault system can use timestamps to determine the order in which faults occurred in the system. This allows for the tracking of faults to establish the first in a chain of faults. These types of applications use dedicated alarm instructions in the Programmable Automation Controller (PAC) to record events or time stamping inputs in order to log the change of state for a point.
- An in-PAC chassis historian module logs historical data at Level 1 (skid/machine).
- High-speed applications can use timestamps to process inputs and outputs asynchronously from the control loop. For example, an application can use time-synchronized inputs and outputs to trigger a diverter without the application scan time matching the part cycle time.

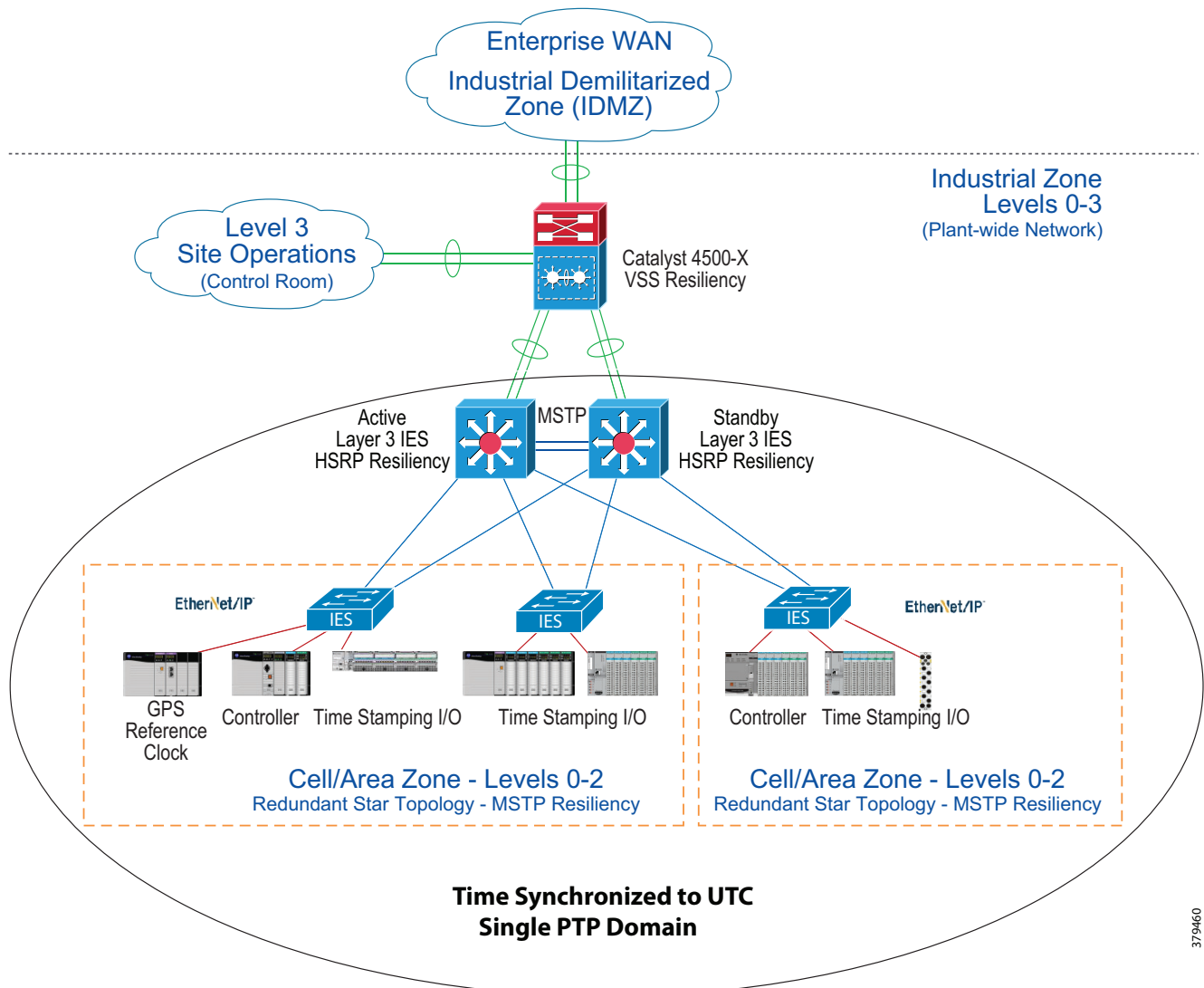
CIP Sync uses IEEE 1588 Precision Time Protocol (PTP) to synchronize clocks in the control system. In the PTP architecture, all clocks are synchronized to a single grandmaster clock. In turn, this clock must be synchronized to Coordinated Universal Time (UTC) to represent the time of day in the system.

Several different approaches exist for setting time in the grandmaster clock that allows customers to meet different application requirements. For example, applications that only require rough correlation to UTC can use a handset grandmaster clock. In this case, the administrator simply sets the time in the grandmaster clock based on the time that is currently shown on another device such as their PC or smartphone. All clocks drift over time and need to be adjusted to accurately reflect UTC. Handset clocks do not have any inherent mechanism to compensate for drift. As such, the administrator needs to adjust the time on the grandmaster clock manually on a periodic basis to ensure that the clock is set to UTC.

Applications that require tight correlation to UTC can use a grandmaster clock with a built-in Global Navigation Satellite System (GNSS) receiver such as a Layer 3 IES or a dedicated PAC module (e.g., Allen-Bradley 1756-TIME module). These type of grandmaster clocks synchronize to the atomic clocks in the navigation satellites and automatically adjust their time to match UTC. However, the installation of these systems is complex and requires an antenna with an unobstructed view of the sky and low loss coaxial cable to connect to the receiver.

A final approach is the NTP-PTP flywheel feature available in some IES. This is a hybrid approach that uses Network Time Protocol (NTP) to synchronize and regulate the grandmaster clock to UTC. Correlation to UTC will not be as good as with a GNSS receiver; however, the flywheel does compensate for drift.

Figure 2 CPwE Time Architecture



In the CPwE Time solution (Figure 2), PTP time does not pass through the core and the PTP domain is bounded to the Cell/Area Zones connected to a single Layer 3 IES distribution pair. Within these bounds, the grandmaster clock will function as the reference for all PTP devices in the system. The preferred solution for the network topology is redundant star, however ring may work for some use cases. In either case, synchronization should be sufficient to support time stamping functionality of I/O modules that typically have a resolution of $\pm 4\mu\text{s}$ to $\pm 100\mu\text{s}$. However, the accuracy of the timestamps to UTC will be limited by how well the grandmaster clock is correlated to UTC. Since PTP time does not synchronize across the core, correlation between PTP domains is also limited by how well the grandmaster in each of the PTP domains is correlated to UTC.

For more information on CIP Sync and CIP Sync applications, see *Integrated Architecture and CIP Sync Configuration*

https://literature.rockwellautomation.com/idc/groups/literature/documents/at/ia-at003_-en-p.pdf

Summary

CPwE is a collection of tested and validated architectures. The testing and validation follow the Cisco Validated Design (CVD) and Cisco Reference Design (CRD) methodologies.

The content of CPwE, which is relevant to both operational technology (OT) and informational technology (IT) disciplines, consists of documented architectures, best practices, guidance, and configuration settings to help industrial operations and OEMs with the design and deployment of a scalable, reliable, secure, and future-ready plant-wide industrial network infrastructure. CPwE can also help industrial operations and OEMs achieve cost reduction benefits using proven designs that can facilitate quicker deployment while helping to minimize risk in deploying new technology. CPwE is brought to market through an ecosystem consisting of Cisco, Panduit, and Rockwell Automation emergent from the strategic alliance between Cisco Systems and Rockwell Automation.

The *Deploying Scalable Time Distribution within a Converged Plantwide Ethernet Architecture Design Guide* (DG) outlines several use cases for designing, deploying and managing time synchronization technology throughout a plant-wide Industrial Automation and Control System (IACS) network infrastructure. CPwE Time Design Guide highlights the key IACS application requirements, technology, and supporting design considerations to help with the successful design and deployment of these specific use cases within the CPwE framework. CPwE Time was architected, tested and verified by Cisco Systems and Rockwell Automation with assistance by Panduit.

More information on CPwE Design and Implementation Guides can be found at the following URLs:

- Rockwell Automation site:
 - http://www.rockwellautomation.com/global/products-technologies/network-technology/architectures_page?
- Cisco site:
 - http://www.cisco.com/c/en/us/solutions/enterprise/design-zone-manufacturing/landing_ettf.html

Panduit Corp. is a world-class provider of engineered, flexible, end-to-end electrical and network connectivity infrastructure solutions that provides businesses with the ability to keep pace with a connected world. Our robust partner ecosystem, global staff, and unmatched service and support make Panduit a valuable and trusted partner.

www.panduit.com

US and Canada:
Panduit Corp.
World Headquarters
18900 Panduit Drive
Tinley Park, IL 60487
iai@panduit.com
Tel. 708.532.1800

Asia Pacific:
One Temasek Avenue #09-01
Millenia Tower
039192 Singapore
Tel. 65 6305 7555

Europe/Middle East/Africa:
Panduit Corp.
West World
Westgate London W5 1XP Q
United Kingdom
Tel. +44 (0) 20 8601 7219

Latin America:
Panduit Corp.
Periférico Pte Manuel Gómez
Morin #7225 - A
Guadalajara Jalisco 45010
MEXICO
Tel. (33) 3777 6000

Cisco is the worldwide leader in networking that transforms how people connect, communicate and collaborate. Information about Cisco can be found at www.cisco.com. For ongoing news, please go to <http://newsroom.cisco.com>. Cisco equipment in Europe is supplied by Cisco Systems International BV, a wholly owned subsidiary of Cisco Systems, Inc.

www.cisco.com

Americas Headquarters
Cisco Systems, Inc.
San Jose, CA

Asia Pacific Headquarters
Cisco Systems (USA) Pte. Ltd.
Singapore

Europe Headquarters
Cisco Systems International BV
Amsterdam, The Netherlands

Cisco has more than 200 offices worldwide. Addresses, phone numbers, and fax numbers are listed on the Cisco Website at www.cisco.com/go/offices.

Cisco and the Cisco logo are trademarks or registered trademarks of Cisco and/or its affiliates in the U.S. and other countries. To view a list of Cisco trademarks, go to this URL: www.cisco.com/go/trademarks. Third-party trademarks mentioned are the property of their respective owners. The use of the word partner does not imply a partnership relationship between Cisco and any other company. (1721R)

Rockwell Automation is a leading provider of power, control and information solutions that enable customers to be more productive and the world more sustainable. In support of smart manufacturing concepts, Rockwell Automation helps customers maximize value and prepare for their future by building a Connected Enterprise.

www.rockwellautomation.com

Americas:
Rockwell Automation
1201 South Second Street
Milwaukee, WI 53204-2496 USA
Tel: (1) 414.382.2000
Fax: (1) 414.382.4444

Asia Pacific:
Rockwell Automation
Level 14, Core F, Cyberport 3
100 Cyberport Road, Hong Kong
Tel: (852) 2887 4788
Fax: (852) 2508 1846

Europe/Middle East/Africa:
Rockwell Automation
NV, Pegasus Park, De Kleetlaan 12a
1831 Diegem, Belgium
Tel: (32) 2 663 0600
Fax: (32) 2 663 0640

Allen-Bradley, FactoryTalk Network Manager, Rockwell Automation, and Stratix are trademarks of Rockwell Automation, Inc. Trademarks not belonging to Rockwell Automation are property of their respective companies.

CIP, CIP Sync, and EtherNet/IP are trademarks of the ODVA, Inc.