



# Start Here: Cisco ASA 5506-X

Manage the ASA using the Adaptive Security Device Manager (ASDM) (a single-device manager included on the device).

**Note:** To use the ASA CLI, see <https://cisco.com/go/asa-config>.

**Note:** To use Cisco Defense Orchestrator (a cloud-based, multidevice manager), first follow the ASDM instructions, then see <https://cisco.com/go/cdo-onboard>.

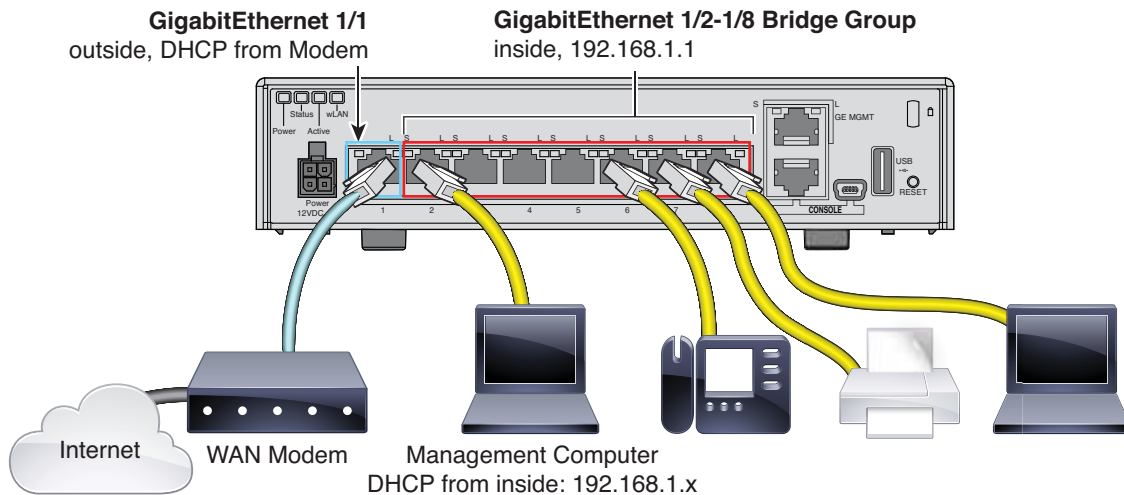
**Note:** To manage the ASA with the Cisco Security Manager (multidevice manager on a separate server), see <https://cisco.com/go/csm-docs>.

**Note:** The ASA 5506-X does not support the ASA FirePOWER module in Version 9.10 and later. For information about using the module with earlier versions, see <https://cisco.com/go/asafp-quick>.

**Note:** The ASA 5506-X does not support Firepower Threat Defense operating system Version 6.3 and later. For information about reimaging to FTD 6.2 and earlier, see <https://cisco.com/go/asa-ftd-reimage>.

## Start Here

1. Install your chassis. See <https://cisco.com/go/asa5506x-install> and <https://cisco.com/go/asa5506x-compliance>.
2. Cable your network:



3. Connect your browser to ASDM on one of the inside interfaces, GigabitEthernet 1/2 to 1/8: <https://192.168.1.1/admin>. Leave the username and password empty. **Note:** Change your privileged (enable) mode password after you log in on the **Configuration > Device Setup > Device Name/Password** page.
4. Choose **Wizards > Startup Wizard** and configure basic ASA settings.
5. Run other ASDM Wizards from the **Wizards** menu.

6. To continue configuring your ASA, see the configuration guides for your version at <https://cisco.com/go/asa-config>.

## ASA Links

1. Install the ASA 5506-X. See the **hardware installation** guide:  
<https://cisco.com/go/asa5506x-install>
2. Connect to the ASA Chassis. See the **quick start** guide:  
<https://cisco.com/go/asa5506x-quick>
3. Check the Release Notes for Important Notes. Choose the ASDM or CLI **release notes** for your version:  
<https://cisco.com/go/asa-rns>
4. Configure the ASA. Choose the ASDM or CLI **configuration** guide for your version:  
<https://cisco.com/go/asa-config>

**Note:** To use Cisco Defense Orchestrator (a cloud-based, multidevice manager), first follow the ASDM instructions, then see <https://cisco.com/go/cdo-onboard>.

**Note:** To manage the ASA with the Cisco Security Manager (multidevice manager on a separate server), see <https://cisco.com/go/csm-docs>

5. See Also:

- All ASA documentation:  
<https://cisco.com/go/asadocs>
- Troubleshooting TechNotes:  
<https://cisco.com/go/asa-technotes>
- Software Downloads:  
<https://cisco.com/go/asa-firepower-sw>

**Note:** A Cisco.com login and Cisco service contract are required.

- Cisco Support Community Forums:  
<https://supportforums.cisco.com>
- Regulatory Compliance and Safety Information:  
<https://cisco.com/go/asa5506x-compliance>
- Warranty, License, and Privacy Information:  
Warranty and End User License Agreement: <https://cisco.com/go/warranty>  
AnyConnect License: <https://cisco.com/go/anyconnect-license>  
Privacy Portal: <https://cisco.com/go/privacy>