



# Deploy the ASA Virtual on Oracle Cloud Infrastructure

You can deploy the ASA virtual on the Oracle Cloud Infrastructure (OCI).

- [Overview, on page 1](#)
- [Prerequisites, on page 3](#)
- [Guidelines and Limitations, on page 4](#)
- [Sample Network Topology, on page 5](#)
- [Deploy the ASA Virtual , on page 6](#)
- [Access the ASA Virtual Instance on OCI, on page 12](#)
- [Troubleshooting, on page 15](#)

## Overview

OCI is a public cloud computing service that enables you to run your applications in a highly-available, hosted environment offered by Oracle.

The ASA virtual runs the same software as physical ASA virtuals to deliver proven security functionality in a virtual form factor. The ASA virtual can be deployed in the public OCI. It can then be configured to protect virtual and physical data center workloads that expand, contract, or shift their location over time.

### OCI Compute Shapes

A shape is a template that determines the number of CPUs, amount of memory, and other resources that are allocated to an instance. The ASA virtual supports the following *Standard – General purpose* OCI shape types:

**Table 1: Supported Compute Shapes for ASA Virtual**

OCI Shape	Supported ASAv Version	Attributes		Interfaces
		oCPUs	RAM (GB)	
Intel VM.DenseIO2.8	9.19 and later	8	120	Minimum 4, Maximum 8

OCI Shape	Supported ASAv Version	Attributes		Interfaces
		oCPUs	RAM (GB)	
Intel VM.StandardB1.4	9.19 and later	4	48	Minimum 4, Maximum 4
Intel VM.StandardB1.8	9.19 and later	4	96	Minimum 4, Maximum 8
Intel VM.Standard1.4	9.19 and later	4	28	Minimum 4, Maximum 4
Intel VM.Standard1.8	9.19 and later	8	56	Minimum 4, Maximum 8
Intel VM.Standard2.4	9.15, 9.16, 9.17, 9.18, 9.19, 9.20, 9.21, and 9.22 and later	4	60	Minimum 4, Maximum 4
Intel VM.Standard2.8	9.15, 9.16, 9.17, 9.18, 9.19, 9.20, 9.21, and 9.22 and later	8	120	Minimum 4, Maximum 8
Intel VM.Standard3.Flex	9.19 and later	4	16	Minimum 4, Maximum 4
	9.19 and later	6	24	Minimum 4, Maximum 6
	9.19 and later	8	32	Minimum 4, Maximum 8
Intel VM.Optimized3.Flex	9.19 and later	4	16	Minimum 4, Maximum 8
	9.19 and later	6	24	Minimum 4, Maximum 10
	9.19 and later	8	32	Minimum 4, Maximum 10
AMD VM.Standard.E4.Flex	9.19 and later	4	16	Minimum 4, Maximum 4
	9.19 and later	6	24	Minimum 4, Maximum 6
	9.19 and later	8	32	Minimum 4, Maximum 8

- The ASA virtual requires a minimum of 3 interfaces.

- In OCI, 1 oCPU is equal to 2 vCPUs.
- The maximum supported vCPUs is 16 (8 oCPUs).

Recommendations for using the OCI Compute shapes supported by version ASA virtual 9.19 and later.

- OCI marketplace image version **9.19.1-v3** and later are compatible only with the OCI compute shapes of ASA virtual 9.19 and later.
- You can use the OCI compute shapes supported by ASA virtual 9.19 and later only for new deployments.
- OCI compute shapes version **9.19.1-v3** and later are not compatible with upgrading VMs that are deployed with ASA virtual using the OCI compute shape versions earlier to ASA virtual 9.19.
- The billing will continue for the **VM.DenseIO2.8** compute shape subscription, even after you shut down the instance. For more information, see [OCI Documentation](#).

You create an account on OCI, launch a compute instance using the Cisco ASA virtual firewall (ASA virtual) offering on the Oracle Cloud Marketplace, and choose an OCI shape.

## Prerequisites

- Create an account on <https://www.oracle.com/cloud/sign-in.html>.
- License the ASA virtual. Until you license the ASA virtual, it will run in degraded mode, which allows only 100 connections and throughput of 100 Kbps. See [Licenses: Smart Software Licensing](#).



---

**Note** All the default License entitlement offered by Cisco, previously for ASA Virtual will have the IPv6 configuration support.

---

- Interface requirements:
  - Management interface
  - Inside and outside interfaces
  - (Optional) Additional subnet (DMZ)
- Communications paths:
  - Management interface—Used to connect the ASA virtual to the ASDM; can't be used for through traffic.
  - Inside interface (required)—Used to connect the ASA virtual to inside hosts.
  - Outside interface (required)—Used to connect the ASA virtual to the public network.
  - DMZ interface (optional)—Used to connect the ASA virtual to the DMZ network.
- For ASA virtual system requirements, see [Cisco Secure Firewall ASA Compatibility](#).

# Guidelines and Limitations

## Supported Features

The ASA virtual on OCI supports the following features:

- Deployment in the OCI Virtual Cloud Network (VCN)
- Maximum of 16 vCPUs (8 oCPUs) per instance
- Routed mode (default)
- Licensing – Only BYOL is supported
- Single Root I/O Virtualization (SR-IOV) is supported
- IPv6

## Performance Tiers for ASA virtual Smart Licensing

The ASA virtual supports performance-tiered licensing that provides different throughput levels and VPN connection limits based on deployment requirements.

Performance Tier	Instance Type (Core/RAM)	Rate Limit	RA VPN Session Limit
ASAv5	VM.Standard2.4 4 core/60 GB	100 Mbps	50
ASAv10	VM.Standard2.4 4 core/60 GB	1 Gbps	250
ASAv30	VM.Standard2.4 4 core/60 GB	2 Gbps	750
ASAv50	VM.Standard2.8 8 core/120 GB	NA	10,000
ASAv100	VM.Standard2.8 8 core/120 GB	NA	20,000

## Unsupported Features

The ASA virtual on OCI does not support the following:

- ASA virtual native HA
- Transparent/inline/passive modes
- Multi-context mode

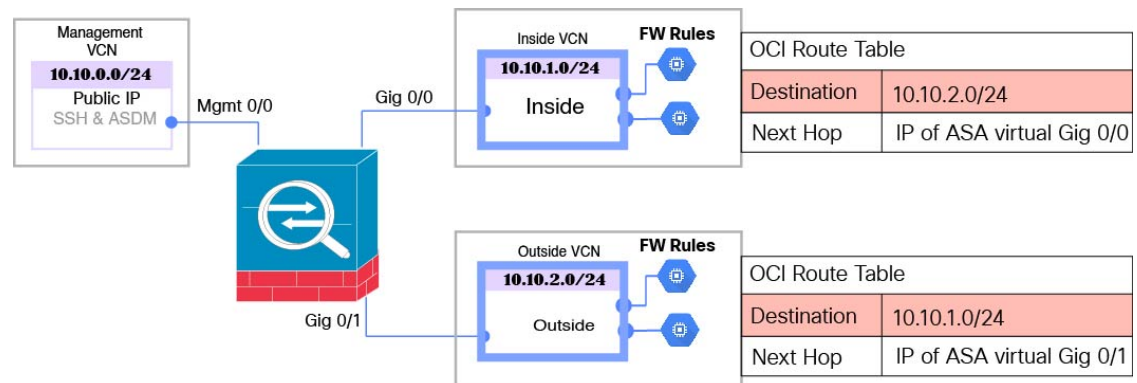
### Limitations

- ASA virtual deployment on OCI does not support Mellanox 5 as vNICs in the SR-IOV mode.
- OCI supports only the dual stack mode (IPv4 and IPv6) configuration, and standalone IPv6 configuration is not supported in a Virtual Private Network (VPN).
- Separate routing rules required for ASA virtual for both static and DHCP configuration.

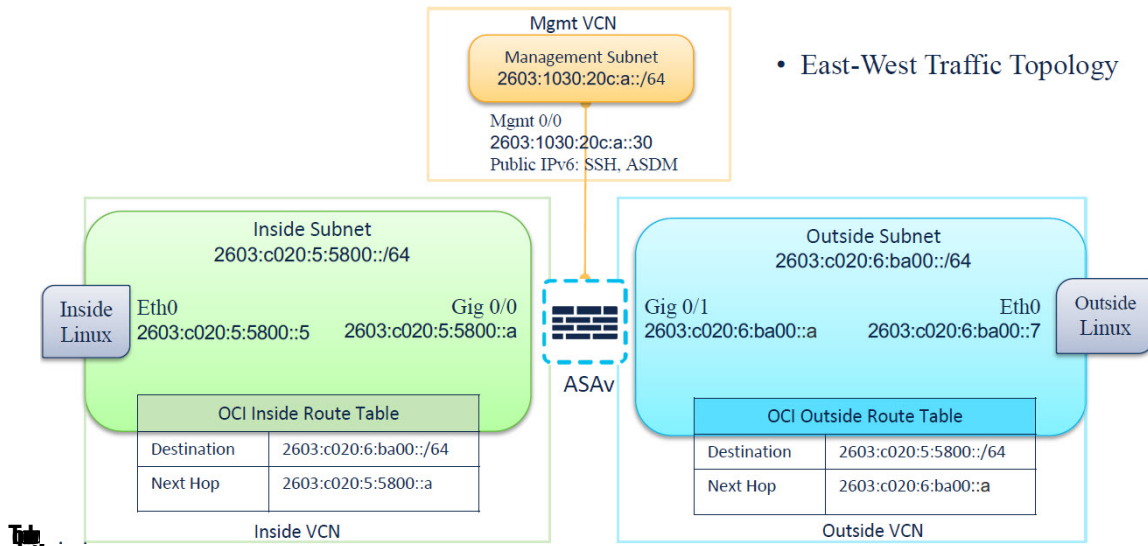
## Sample Network Topology

The following figure shows the recommended network topology for the ASA virtual in Routed Firewall Mode with 3 subnets configured in OCI for the ASA virtual (management, inside, and outside).

**Figure 1: Sample ASA Virtual on OCI Deployment**



### ASA Virtual IPv6 Deployment



## Deploy the ASA Virtual

The following procedures describe how to prepare your OCI environment and launch the ASA virtual instance. You log into the OCI portal, search the OCI Marketplace for the Cisco ASA virtual firewall (ASA virtual) offering, and launch the compute instance. After launching the ASA virtual, you must configure route tables to direct traffic to the firewall depending on the traffic’s source and destination.

### Create the Virtual Cloud Network (VCN)

You configure the Virtual Cloud Network (VCN) for your ASA virtual deployment. At a minimum, you need three VCNs, one for each interface of the ASA virtual.

You can continue with the following procedures to complete the Management VCN. Then you return to **Networking** to create VCNs for the inside and outside interfaces.

#### Before you begin



**Note** After you select a service from the navigation menu, the menu on the left includes the compartments list. Compartments help you organize resources to make it easier to control access to them. Your root compartment is created for you by Oracle when your tenancy is provisioned. An administrator can create more compartments in the root compartment and then add the access rules to control which users can see and take action in them. See the Oracle document “Managing Compartments” for more information.

#### Procedure

**Step 1** Log into [OCI](#) and choose your region.

OCI is divided into multiple regions that are isolated from each other. The region is displayed in the upper right corner of your screen. Resources in one region do not appear in another region. Check periodically to make sure you are in the intended region.

**Step 2** Choose **Networking > Virtual Cloud Networks** and click **Create Virtual Cloud Networks**.

**Step 3** Enter a descriptive **Name** for your VCN, for example *ASAvManagement*.

**Step 4** Enter a **CIDR block** for your VCN.

- a) An **IPv4 CIDR block** of IP addresses. CIDR (Classless Inter-Domain Routing) notation is a compact representation of an IP address and its associated routing prefix. For example, 10.0.0.0/24.

**Note**

Use DNS hostnames in this VCN.

- b) Select the **Assign an Oracle allocated IPv6 /56** check box to add a single Oracle assigned IPv6 address to your VCN.

**Step 5** Click **Create VCN**.

---

## Create the Network Security Group

A network security group consists of a set of vNICs and a set of security rules that apply to those vNICs.

### Procedure

---

**Step 1** Choose **Networking > Virtual Cloud Networks > Virtual Cloud Network Details > Network Security Groups**, and click **Create Network Security Group**.

**Step 2** Enter a descriptive **Name** for your Network Security Group, for example *ASAv-Mgmt-Allow-22-443*.

**Step 3** Click **Next**.

**Step 4** Add your security rules:

- a) Add a rule to allow TCP port 22 for SSH Access to ASA virtual console.
- b) Add a rule to allow TCP port 443 for HTTPS Access to ASDM.

The ASA virtual can be managed via ASDM, which requires port 443 to be opened for HTTPS connections.

**Step 5** Click **Create**.

---

## Create the Internet Gateway

An Internet gateway is required to make your management subnet publicly accessible.

### Procedure

---

**Step 1** Choose **Networking > Virtual Cloud Networks > Virtual Cloud Network Details > Internet Gateways**, and click **Create Internet Gateway**.

- Step 2** Enter a descriptive **Name** for your Internet gateway, for example, *ASAv-IG*.
- Step 3** Click **Create Internet Gateway**.
- Step 4** Add the route to the Internet Gateway:
- Choose **Networking > Virtual Cloud Networks > Virtual Cloud Network Details > Route Tables**.
  - Click on the link for your default route table to add route rules.
  - Click **Add Route Rules**.
  - From the **Target Type** drop-down, select **Internet Gateway**.
  - Enter the Destination IPv4 CIDR Block, for example 0.0.0.0/0.
  - Enter the Destination IPv6 CIDR Block, For example, [::/0].
  - From the **Target Internet Gateway** drop-down, select the gateway you created.
  - Click **Add Route Rules**.
- 

## Create the Subnet

Each VCN will have one subnet, at a minimum. You'll create a Management subnet for the Management VCN. You'll also need an Inside subnet for the Inside VCN, and an Outside subnet for the Outside VCN.

### Procedure

---

- Step 1** Choose **Networking > Virtual Cloud Networks > Virtual Cloud Network Details > Subnets**, and click **Create Subnet**.
- Step 2** Enter a descriptive **Name** for your subnet, for example, *Management*.
- Step 3** Select a **Subnet Type** (leave the recommended default of **Regional**).
- Step 4** Enter a **CIDR Block**, for example 10.10.0.0/24. The internal (non-public) IP address for the subnet is taken from this CIDR block.
- Step 5** Check the **Assign an Oracle allocated IPv6 /56 prefix** check box.  
A unique IPv6 address is generated, where you must manually enter the last two hexadecimal digits. However, the IPv6 prefix in subnet is always fixed to **/64**.
- Step 6** Select one of the route tables you created previously from the **Route Table** drop-down.
- Step 7** Select the **Subnet Access** for your subnet.  
For the Management subnet, this must be **Public Subnet**.
- Step 8** Select the **DHCP Option**.
- Step 9** Select a **Security List** that you created previously.
- Step 10** Click **Create Subnet**.
- 

### What to do next

After you configure your VCNs (Management, Inside, Outside) you are ready to launch the ASA virtual. See the following figure for an example of the ASA virtual VCN configuration.



Figure 2: ASA Virtual Cloud Networks

Virtual Cloud Networks in asav Compartment

Virtual Cloud Networks are virtual, private networks that you set up in Oracle data centers. It closely resembles a traditional network, with firewall rules and specific types of communication gateways that you can choose to use.

Name	State	CIDR Block	Default Route Table	DNS Domain Name	Created
<a href="#">ASAv-Outside</a>	Available	10.10.2.0/24	<a href="#">Default Route Table for ASAv-Outside</a>	asavoutside.oraclevcn.com	Wed, Jul 1, 2020, 22:39:36 UTC
<a href="#">ASAv-Inside</a>	Available	10.10.1.0/24	<a href="#">Default Route Table for ASAv-Inside</a>	asavinside.oraclevcn.com	Wed, Jul 1, 2020, 22:25:48 UTC
<a href="#">ASAv-Management</a>	Available	10.10.0.0/24	<a href="#">Default Route Table for ASAv-Management</a>	asavmanagement.oraclevcn.com	Wed, Jul 1, 2020, 20:00:56 UTC

Showing 3 items < 1 of 1 >

## Configure IPv6 Gateway Address Using Cloud Shell

In OCI, each subnet has a unique IPv6 gateway address which you must configure in ASAv for IPv6 traffic to work. This gateway address is retrieved from the subnet details running an OCI command in the cloud shell.

### Procedure

- 
- Step 1** Go to **OCI > Open CloudShell (OCI Cloud Terminal)**.
- Step 2** Execute following command to get the IPv6 details from the subnet:
- ```
oci network subnet get -subnet_id <subnet_OCID>
```
- Step 3** From the command result find the `ipv6-virtual-router-ip` key.
- Step 4** Copy the value of this key and use it as required.
- 

## Create the ASA Virtual Instance on OCI

You deploy the ASA virtual on OCI via a Compute instance using the Cisco ASA virtual firewall (ASAv virtual) offering on the Oracle Cloud Marketplace. You select the most appropriate machine shape based on characteristics such as the number of CPUs, amount of memory, and network resources.

### Procedure

- 
- Step 1** Log into the [OCI](#) portal.
- The region is displayed in the upper right corner of your screen. Make sure you are in the intended region.
- Step 2** Choose **Marketplace > Applications**.
- Step 3** Search Marketplace for “Cisco ASA virtual firewall (ASAv)” and choose the offering.
- Step 4** Review the Terms and Conditions, and check the **I have reviewed and accept the Oracle Terms of Use and the Partner terms and conditions**.check box.
- Step 5** Click **Launch Instance**.

- Step 6** Enter a descriptive **Name** for your instance, for example, *ASAv-9-15*.
- Step 7** Click **Change Shape** and select the shape with the number of oCPUs, the amount of RAM, and the number of interfaces required for the ASA virtual; for example, VM.Standard2.4 (see [Table 1: Supported Compute Shapes for ASA Virtual, on page 1](#)).
- Step 8** From the **Virtual Cloud Network** drop-down, choose the Management VCN.
- Step 9** From the **Subnet** drop-down, choose the Management subnet if it's not autopopulated.
- Step 10** Check **Use Network Security Groups to Control Traffic** and choose the security group you configured for the Management VCN.
- Step 11** Click the **Assign a Public Ip Address** radio button.
- Step 12** Under **Add SSH keys**, click the **Paste Public Keys** radio button and paste the SSH key.

Linux-based instances use an SSH key pair instead of a password to authenticate remote users. A key pair consists of a private key and public key. You keep the private key on your computer and provide the public key when you create an instance. See [Managing Key Pairs on Linux Instances](#) for guidelines.

- Step 13** Click the **Show Advanced Options** link to expand the options.
- Step 14** (Optional) Under **Initialization Script**, click the **Paste Cloud-Init Script** radio button to provide a day0 configuration for the ASA virtual. The day0 configuration is applied when the ASA virtual is launched.

The following example shows a sample day0 configuration you can copy and paste in the **Cloud-Init Script** field:

See the [ASA Configuration Guides](#) and the [ASA Command Reference](#) for complete information on the ASA commands.

#### Important

When you copy text from this example, you should validate the script in a third-party text editor or validation engine to prevent format errors and remove invalid Unicode characters.

```
!ASA Version 9.18.1
interface management0/0
management-only
nameif management
security-level 100
ip address dhcp setroute
ipv6 enable
ipv6 address dhcp default
no shut
!
same-security-traffic permit inter-interface
same-security-traffic permit intra-interface
!
crypto key generate rsa modulus 2048
ssh 0 0 management
ssh ::/0 management

ssh timeout 60
ssh version 2
username admin nopassword privilege 15
username admin attributes
service-type admin
http server enable
http 0 0 management
aaa authentication ssh console LOCAL
```

- Step 15** Click **Create**.

### What to do next

Monitor the ASA virtual instance, which shows the state as Provisioning after you click the **Create** button.



---

**Important** It's important to monitor the status. As soon as the ASA virtual instance goes from Provisioning to Running state you need to attach the VNICs as required before the ASA virtual boot completes.

---

## Attach the Interfaces

The ASA virtual enters the Running state with one VNIC attached (see **Compute > Instances > Instance Details > Attached VNICs**). This is referred to as the Primary VNIC, and maps to the Management VCN. Before the ASA virtual completes the first boot, you need to attach the VNICs for the other VCN subnets you created previously (inside, outside) so that the VNICs are correctly detected on ASA virtual.

### Procedure

---

- Step 1** Select your newly launched ASA virtual instance.
  - Step 2** Choose **Attached VNICs > Create VNIC**.
  - Step 3** Enter a descriptive **Name** for your VNIC, for example *Inside*.
  - Step 4** Select the VCN from the **Virtual Cloud Network** drop-down.
  - Step 5** Select your subnet from the **Subnet** drop-down.
  - Step 6** Check **Use Network Security Groups to Control Traffic** and choose the security group you configured for the selected VCN.
  - Step 7** Check **Skip Source Destination Check Network Security Groups to Control Traffic**.
  - Step 8** (Optional) Specify a **Private IP Address**. This is only required if you want to choose a particular IP for the VNIC.  
If you do not specify an IP, OCI will assign an IP address from the CIDR block you assigned to the subnet.  
If you are configuring IPv6 address, then select and assign unique IPv6 address to each interface.
  - Step 9** Click **Save Changes** to create the VNIC.
  - Step 10** Repeat this procedure for each VNIC your deployment requires.
- 

## Add Route Rules for the Attached VNICs

Add route table rules to the inside and outside route tables.

### Procedure

---

- Step 1** Choose **Networking > Virtual Cloud Networks >** and click the default route table associated with the VCN (inside or outside).
- Step 2** Click **Add Route Rules**.

- Step 3** From the **Target Type** drop-down, select **Private IP**.
- Step 4** From the **Destination Type** drop-down, select **CIDR Block**.
- Step 5** Enter the **Destination IPv4 CIDR Block**, for example, 0.0.0.0/0.
- Step 6** Enter the **Destination IPv6 CIDR Block**, for example, [::/0].
- Step 7** Enter the private IP address of the VNIC in the **Target Selection** field.

If you did not explicitly assign an IP address to the VNIC, you can find the auto-assigned IP address from the VNIC details (**Compute > Instances > Instance Details > Attached VNICs**).

- Step 8** Click **Add Route Rules**.
- Step 9** Repeat this procedure for each VNIC your deployment requires.

**Note**

Separate routing rules required for ASA Virtual (Static and DHCP) configuration.

```
ipv6 route <interface_name> <interface_subnet_CIDR> <ipv6_virtual_router_ip>
```

---

**Example**

- ipv6 route inside 2603:c020:5:5800::/64 fe80::200:17ff:fe96:921b
- ipv6 route outside 2603:c020:6:ba00::/64 fe80::200:17ff:fe21:748c

## Access the ASA Virtual Instance on OCI

You can connect to a running instance by using a Secure Shell (SSH) connection.

- Most UNIX-style systems include an SSH client by default.
- Windows 10 and Windows Server 2019 systems should include the OpenSSH client, which you'll need if you created your instance using the SSH keys generated by Oracle Cloud Infrastructure.
- For other Windows versions you can download PuTTY, the free SSH client from <http://www.putty.org>.

**Prerequisites**

You'll need the following information to connect to the instance:

- The public IP address of the instance. You can get the address from the Instance Details page in the Console. Open the navigation menu. Under **Core Infrastructure**, go to **Compute** and click **Instances**. Then, select your instance. Alternatively, you can use the Core Services API [ListVnicAttachments](#) and [GetVnic](#) operations.
- The username and password of your instance.
- The full path to the private key portion of the SSH key pair that you used when you launched the instance. For more information about key pairs, see [Managing Key Pairs](#) on Linux Instances.



---

**Note** You can log in to the ASA virtual instance using the credentials specified in the day0 configuration, or by using the SSH key pair you created during the instance launch.

---

## Connect to the ASA Virtual Instance Using SSH

To connect to the ASA virtual instance from a Unix-style system, log in to the instance using SSH.

### Procedure

---

**Step 1** Use the following command to set the file permissions so that only you can read the file:

```
$ chmod 400 <private_key>
```

Where:

<private\_key> is the full path and name of the file that contains the private key associated with the instance you want to access.

**Step 2** Use the following SSH command to access the instance.

```
$ ssh -i <private_key> <username>@<public-ip-address>
```

Where:

<private\_key> is the full path and name of the file that contains the private key associated with the instance you want to access.

<username> is the username for the ASA virtual instance.

<public-ip-address> is your instance IP address that you retrieved from the Console.

<ipv6-address> is your instance management interface IPv6 address.

---

## Connect to the ASA Virtual Instance Using OpenSSH

To connect to the ASA virtual instance from a Windows system, log in to the instance using OpenSSH.

### Procedure

---

**Step 1** If this is the first time you are using this key pair, you must set the file permissions so that only you can read the file.

Do the following:

- In Windows Explorer, navigate to the private key file, right-click the file, and then click **Properties**.
- On the **Security** tab, click **Advanced**.
- Ensure that the **Owner** is your user account.
- Click **Disable Inheritance**, and then select **Convert inherited permissions into explicit permissions on this object**.

- e) Select each permission entry that is not your user account and click **Remove**.
- f) Ensure that the access permission for your user account is **Full control**.
- g) Save your changes.

**Step 2** To connect to the instance, open Windows PowerShell and run the following command:

```
$ ssh -i <private_key> <username>@<public-ip-address>
```

Where:

<private\_key> is the full path and name of the file that contains the private key associated with the instance you want to access.

<username> is the username for the ASA virtual instance.

<public-ip-address> is your instance IP address that you retrieved from the Console.

## Connect to the ASA Virtual Instance Using PuTTY

To connect to the ASA virtual instance from a Windows system using PuTTY:

### Procedure

**Step 1** Open PuTTY.

**Step 2** In the **Category** pane, select **Session** and enter the following:

- **Host Name (or IP address):**

```
<username>@<public-ip-address>
```

Where:

<username> is the username for the ASA virtual instance.

<public-ip-address> is your instance public IP address that you retrieved from the Console.

- **Port:** 22
- **Connection type:** SSH

**Step 3** In the **Category** pane, expand **Window**, and then select **Translation**.

**Step 4** In the **Remote character set** drop-down list, select **UTF-8**.

The default locale setting on Linux-based instances is UTF-8, and this configures PuTTY to use the same locale.

**Step 5** In the **Category** pane, expand **Connection**, expand **SSH**, and then click **Auth**.

**Step 6** Click **Browse**, and then select your private key.

**Step 7** Click **Open** to start the session.

If this is your first time connecting to the instance, you might see a message that the server's host key is not cached in the registry. Click **Yes** to continue the connection.

# Troubleshooting

**Problem** SSH—ASA Virtual with IPv6 is not working

- **Solution** Verify if the route for `::/0` via Internet Gateway is present in the VPC Route Table.
- **Solution** Verify if the Port 22 is allowed in the security Group associated with the Management Subnet or Interface.
- **Solution** Verify via IPv4 SSH session whether Management interface is configured with IPv6 address.
- **Solution** Check for "ssh config" in the ASA Virtual and all required config is provided as part of day0 or configured later.

**Problem** East-West traffic not working.

- **Solution** Verify in the **EC2 > Instance > Networking**, whether "Change source/destination check" is stopped.
- **Solution** Verify routes are properly configured on Inside/Outside Linux.
- **Solution** Add the proper routes in ASA Virtual in case of manual IPv6 addressing.
- **Solution** Check "show asp drop" for any packet drops and act accordingly.

