



Installing and Upgrading Field Replaceable Units

- [Removing and Replacing the Chassis Cover, on page 1](#)
- [Installing a DIMM, on page 2](#)
- [Removing a DIMM, on page 4](#)
- [Upgrading the M.2 Storage Module, on page 5](#)

Removing and Replacing the Chassis Cover

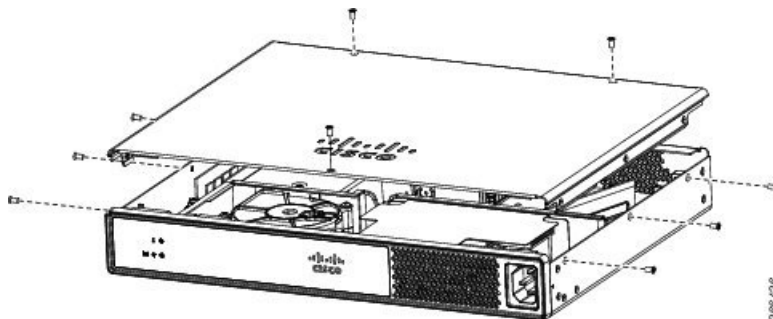


Warning Only trained and qualified personnel should be allowed to install, replace, or service this equipment. Statement 1030

These are the steps to remove the chassis cover:

- Step 1** Confirm that the chassis is turned off and disconnected from the power supply or power supplies.
- Step 2** Place the chassis on a flat surface.
- Step 3** Remove the screws at top of the chassis cover.
- Step 4** Remove the screws at the sides of the device as shown in the following figure.

Figure 1: Removing the Chassis Cover



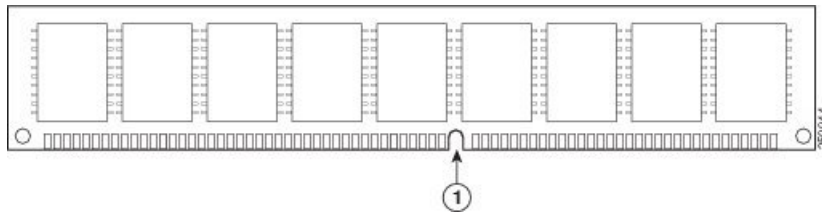
- Step 5** Lift the chassis cover after you have removed all the screws.

Note To replace the chassis cover, place the cover evenly on the top of the device and use the screws to secure it to the device.

Installing a DIMM

There are two DDR4 DIMM slots. DIMMs have a polarization notch on the connecting edge to prevent incorrect insertion.

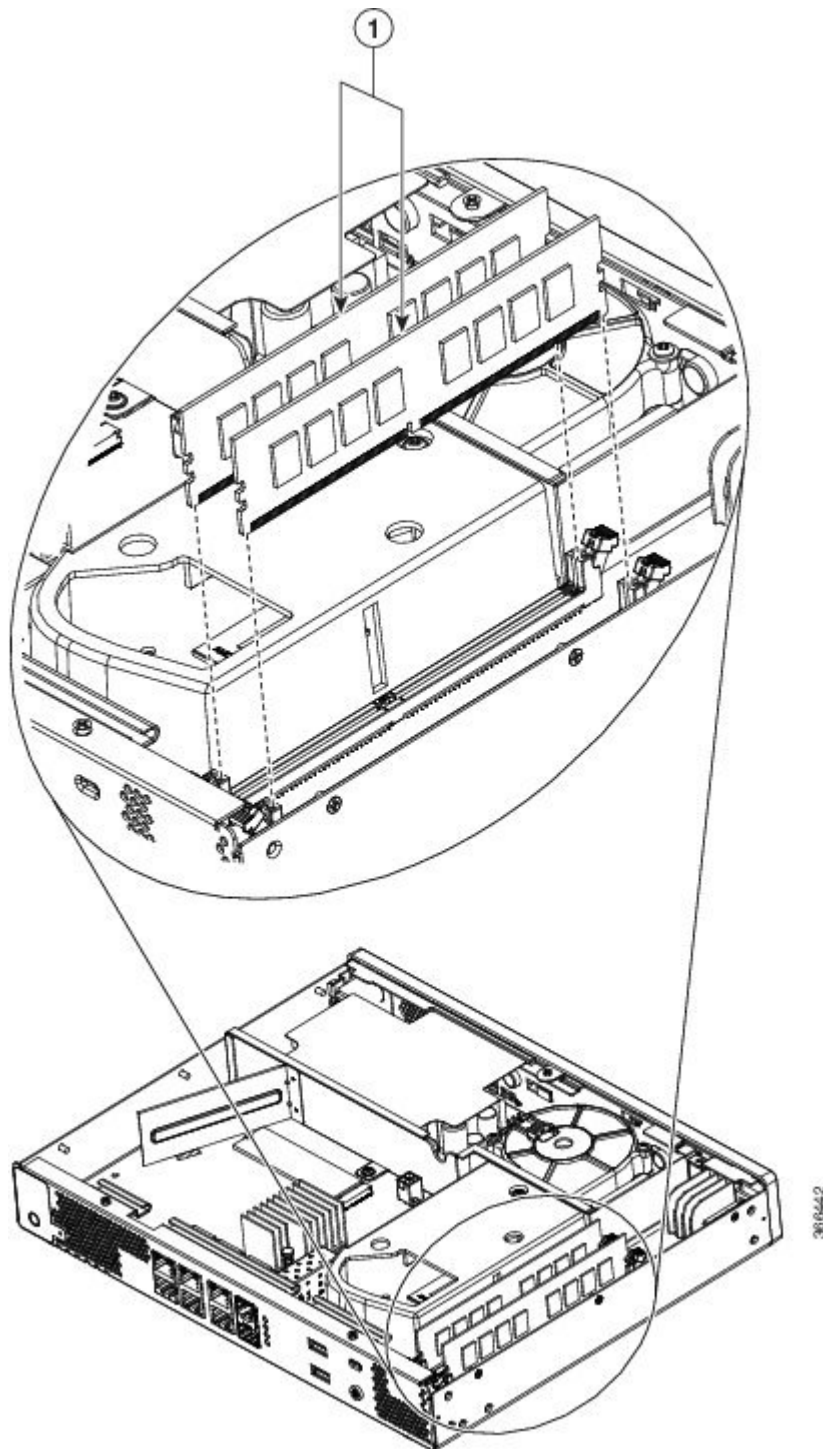
Figure 2: DIMM Showing Polarization Notch



These are the steps to install a DIMM:

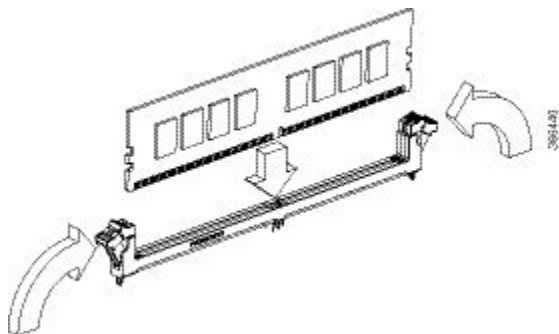
- Step 1** Remove the chassis cover.
- Step 2** Locate the DIMM module on the device.

Figure 3: DIMM Module



- Step 3** Make sure that both latches on the DIMM connector are in the open position.
- Step 4** Orient the DIMM so that the polarization notch lines up with the polarization key on the connector.
- Step 5** Insert the DIMM into the connector.

Figure 4: Inserting a DIMM



Step 6 Replace the chassis cover.

Removing a DIMM

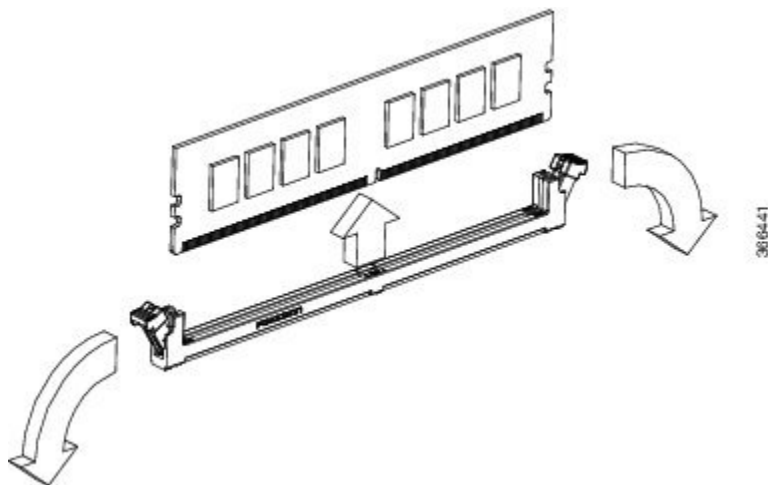
These are the steps to remove a DIMM:

Step 1 Remove the chassis cover.

Step 2 Locate the DIMM module on the device. Refer to the [Chassis - Internal](#) section to identify and locate the DIMM module.

Step 3 Pull the latches away from the DIMM at both ends to lift the DIMM slightly. Pull the DIMM out of the socket.

Figure 5: Removing a DIMM



Step 4 Place the DIMM in an antistatic bag to protect it from ESD damage.

Step 5 Replace the chassis cover.

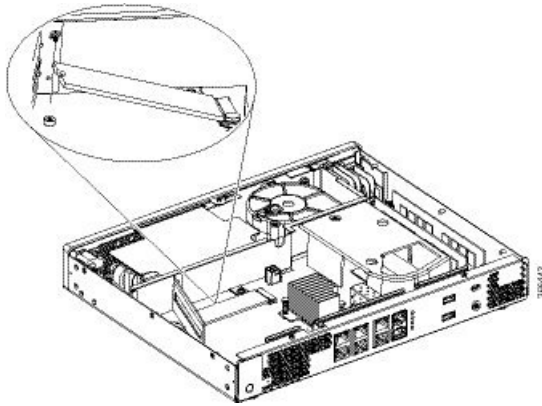
Upgrading the M.2 Storage Module

The M.2 storage module is a hardware that is 22mm wide and 80mm long. This hardware comes with different storage capacities.

These are the steps to upgrade the M.2 storage module:

-
- Step 1** Remove the chassis cover.
 - Step 2** Locate the M.2 storage module. Refer to [Chassis - Internal](#) to identify and locate the module.
 - Step 3** Unscrew the screw that secures the old M.2 storage module and then remove the old M.2 storage module.
 - Step 4** Plug in the new M.2 storage module in the same location and secure it with the screw.

Figure 6: Upgrading the M.2 Storage Module



- Step 5** Replace the chassis cover.
-

