



Removing and Replacing Chassis Components

This chapter provides instructions on how to remove and replace components from the Cisco NCS 4016 chassis.

- [Removing and Replacing Chassis Components, on page 1](#)

Removing and Replacing Chassis Components

Removing a Line Card

This section describes how to remove a line card from the Cisco NCS 4016 chassis.



Warning Class 1 Laser Product. Statement 113



Warning Because invisible radiation may be emitted from the aperture of the port when no fiber cable is connected, avoid exposure to radiation and do not stare into open apertures. Statement 125



Warning For diverging beams, viewing the laser output with certain optical instruments within a distance of 100 mm may pose an eye hazard. For collimated beams, viewing the laser output with certain optical instruments designed for use at a distance may pose an eye hazard. Statement 282

Prerequisites

Before performing this task, open the front door, if installed.



Caution The system can indicate a hardware failure if you do not follow proper procedures. Remove or install only one LC at a time. Allow at least 30 seconds for the system to complete its tasks before removing or installing another LC.

This procedure is traffic-impacting.

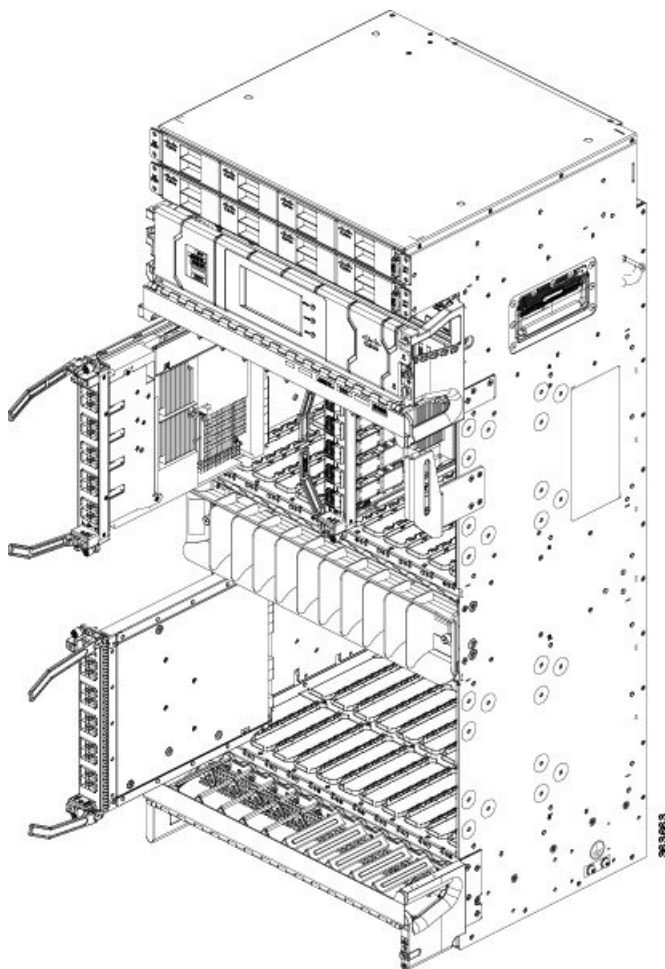
Required Tools and Equipment

- ESD-preventive wrist strap
- Number-2 Phillips screwdriver or number-2 common (flat-head) screwdriver

Steps

The following steps describe how to remove an LC.

Figure 1: Removing an LC



Procedure

Step 1 Attach the ESD-preventive wrist strap to your wrist and connect its leash to the ESD jack located on the front or rear side of the chassis. You can also connect the ESD-preventive wrist strap leash to any bare metal surface on the chassis.

Step 2 Identify the card to be removed.

Note

To verify which card needs attention, the Attention LED can be lit using the hw-module attention-led location CLI command.

Step 3 In the **Node View** of CTC, click the **Inventory** tab and set the **Admin State** of the line card to **OOS** (Out Of Service).

This will shut down the Line Card.

Step 4 Press the OIR buttons to unlock the ejector levers, wait for 30 seconds.

Step 5 Use the number-2 Phillips screwdriver or number-2 common (flat-head) screwdriver to loosen the two captive screws holding the card in place.

Caution

When adjusting the ejector levers, avoid hitting the top and bottom fiber management features and doors.

Step 6 Grasp the two card ejector levers and simultaneously pivot both ejector levers 70 degrees away from the front edge of the card carrier to unseat the card from the backplane connector.

Step 7 Touching only the metal card carrier, slide the card from the slot and place it directly into an antistatic sack or other ESD-preventive container.

Warning

Because invisible laser radiation may be emitted from the aperture of the port when no cable is connected, avoid exposure to laser radiation and do not stare into open apertures. Statement 70

Replacing/Reinserting a Line Card

This section describes how to replace/reinsert a line card on the Cisco NCS 4016 chassis.



Warning **Class 1 Laser Product.** Statement 113



Warning **Because invisible radiation may be emitted from the aperture of the port when no fiber cable is connected, avoid exposure to radiation and do not stare into open apertures.** Statement 125



Warning **For diverging beams, viewing the laser output with certain optical instruments within a distance of 100 mm may pose an eye hazard. For collimated beams, viewing the laser output with certain optical instruments designed for use at a distance may pose an eye hazard.** Statement 282

Prerequisites

Before performing this task, open the front door, if installed.



Caution Remove or install only one LC at a time. Allow at least 30 seconds for the chassis to complete its tasks before removing or installing another LC. The chassis may indicate a hardware failure if you do not follow proper procedures.

This procedure is traffic-impacting.

Required Tools and Equipment

- ESD-preventive wrist strap
- Number-2 Phillips screwdriver or number-2 common (flat-head) screwdriver
- LC

Steps

To replace/reinstall the line card:

Procedure

-
- Step 1** Perform the procedure [Removing a Line Card, on page 1](#) to remove the line card that needs to be replaced/reinserted.
- Step 2** Perform the procedure [Installing a Line Card](#) to install a new card or reinsert the same card that was removed in step1.
- Step 3** In the **Node View** of CTC, click the **Inventory** tab.
- Step 4** if **Admin State** of the line card is **OOS** (Out of Service) in CTC, then set the **Admin State** of the line card to **IS** (In Service).
- Traffic will resume after the card is in service.
-

Removing an RP Card

This section describes how to remove a route processor card from the Cisco NCS 4016 chassis.

Prerequisites

Before performing this task, open the front door, if installed. The RP cards are hot-swappable.

Perform this task when you are certain that the other RP card in the chassis is operational and, if not already the active RP, is ready to assume control (this happens automatically). Failure to follow these guidelines can result in interruptions in data communications and network connectivity.



Warning **Class 1 Laser Product.** Statement 113



Warning **Because invisible radiation may be emitted from the aperture of the port when no fiber cable is connected, avoid exposure to radiation and do not stare into open apertures.** Statement 125

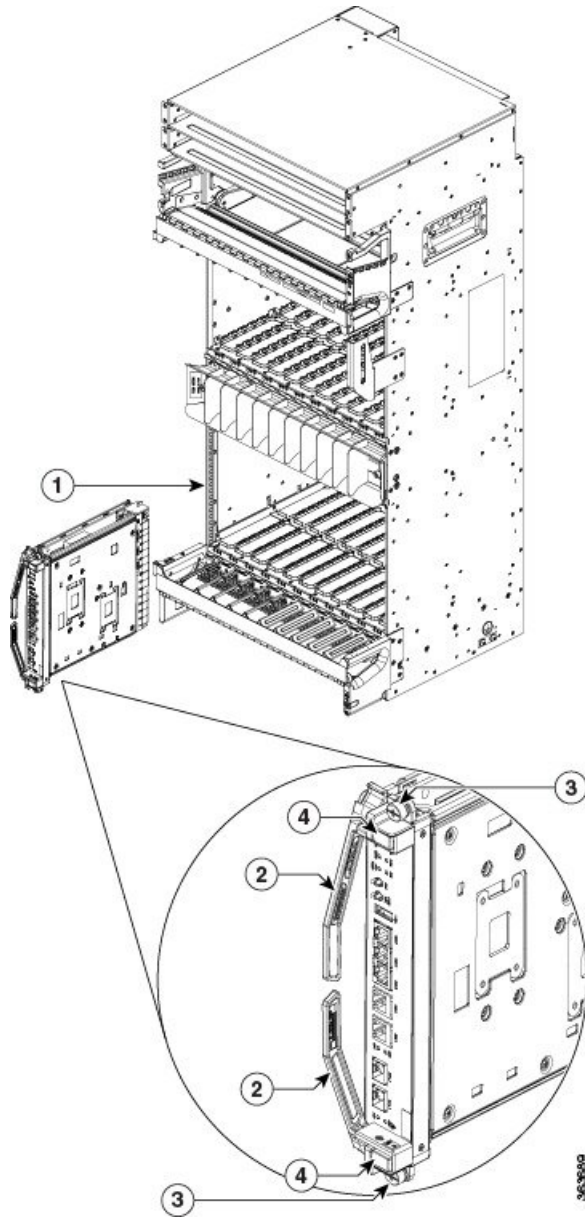
Required Tools and Equipment

- ESD-preventive wrist strap
- Number-2 Phillips screwdriver or number-2 common (flat-head) screwdriver

Steps

The following steps describe how to remove an RP card.

Figure 2: Removing an RP Card



1 - Direction and location of removal	3 - Captive screw (also one on top)
2 - Ejector levers	4 - OIR buttons

Procedure

Step 1 Attach the ESD-preventive wrist strap to your wrist and connect its leash to one of the two ESD jacks located on the front or rear side of the chassis. You can also connect the ESD-preventive wrist strap leash to any bare metal surface on the chassis.

Step 2 Identify the card to be removed from the card cage. Reload the RP card to move the active processes to other RPs using the **hw-module location <slot-number> reload** command.

```
sysadmin-vm:0_RP0# hw-module location 0/RP0 reload
```

Note

When the RP is up or booting, you can remove the RP card using the OIR button. Pressing the OIR button to unlock the ejector lever when the RP is Active may impact the traffic.

Step 3 Remove any cables connected to the front panel of the card.

Step 4 Press the OIR buttons to unlock the ejectors. Wait for 30 seconds.

Step 5 Use the number-2 Phillips screwdriver or number-2 common (flat-head) screwdriver to turn the two captive screws on the front panel of the card counterclockwise to loosen the card from the slot.

Caution

To prevent ESD damage, handle an RP card by its ejector levers or the LC carrier edges only. Do not touch any of the electrical components, pins, or circuitry.

Step 6 Simultaneously pivot the ejector levers away from the faceplate to release the RP card from the backplane connectors.

Step 7 Grasp the two card ejector levers and simultaneously pivot both ejector levers 90 degrees away from the front edge of the card carrier to unseat the card from the backplane connector.

Step 8 Grasp the ejector levers with both hands and gently pull the RP card halfway from the slot.

Step 9 Move one hand under the RP card to guide it. Avoid touching the RP card printed circuit board, components, or any connector pins.

Step 10 Touching only the metal card carrier, slide the card from the slot and place it directly into an antistatic sack or other ESD-preventive container. If you plan to return a defective card to the factory, repackage it in the shipping container that you received with the replacement card.

For replacement, wait for 30 seconds after removing the card from the chassis and then, reinsert the new card. For the installation procedure, see [Installing an RP Card](#).

Removing a Fabric Card

This section describes how to remove a fabric card from the Cisco NCS 4016 chassis.

Prerequisites

Before performing this task, open the front door, if installed.

Required Tools and Equipment

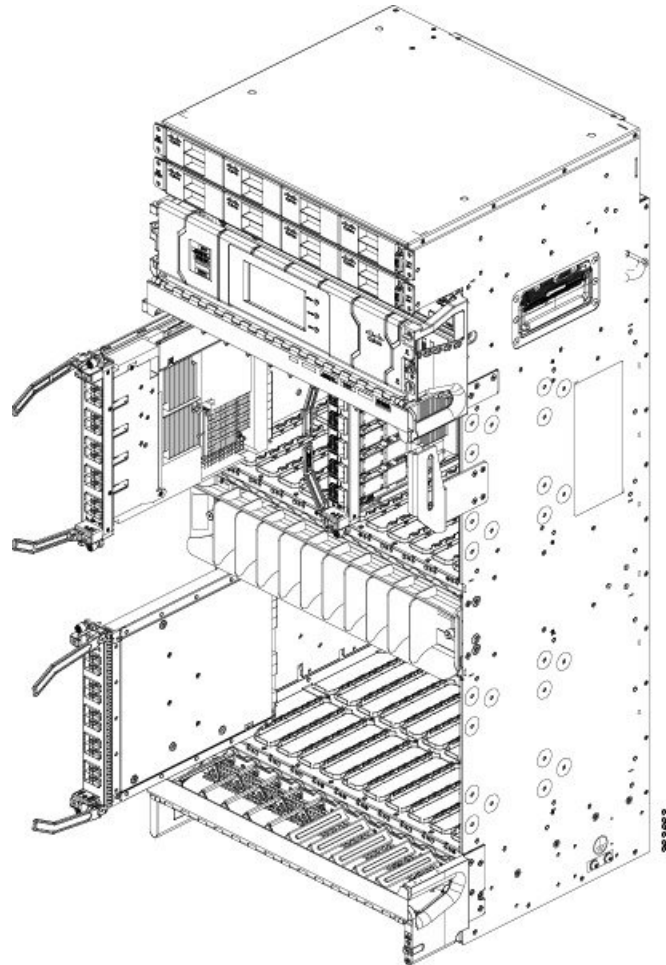
- ESD-preventive wrist strap

- Number-2 Phillips screwdriver or number-2 common (flat-head) screwdriver

Steps

The following steps describe how to remove an FC card.

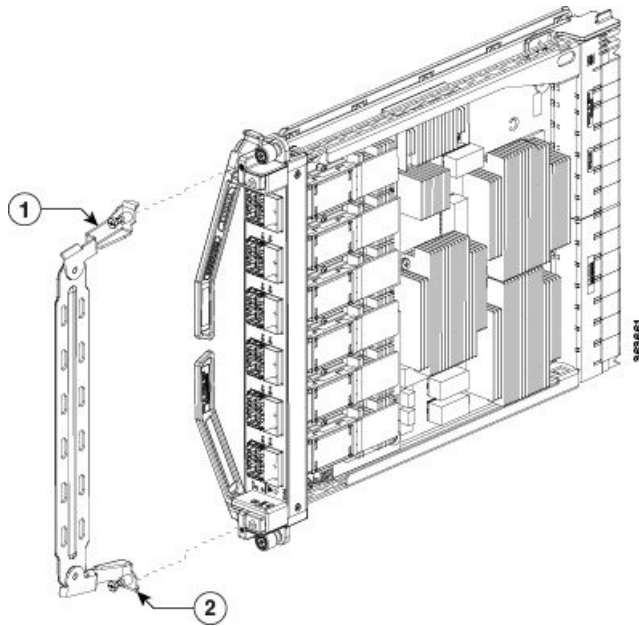
Figure 3: Removing an FC



Procedure

-
- Step 1** Attach the ESD-preventive wrist strap to your wrist and connect its leash to one of the two ESD jacks located on the front or rear side of the chassis. You can also connect the ESD-preventive wrist strap leash to any bare-metal surface on the chassis.
 - Step 2** Identify the FC to be removed from the card cage.
 - Step 3** Remove the vertical cable management bracket by unscrewing the two screws.

Figure 4: Removing the Vertical Cable Management Bracket



1 - Dark gray arm	2 - Light gray arm
-------------------	--------------------

- Step 4** Press the OIR buttons to unlock the ejectors. Wait for 30 seconds.
- Step 5** Use the number-2 Phillips screwdriver or number-2 common (flat-head) screwdriver to turn the two captive screws on the front panel of the card counterclockwise to loosen it from the slot.
- Step 6** Grasp the two card ejector levers and simultaneously pivot both ejector levers 70 degrees away from the front edge of the card carrier to unseat the card from the backplane connector.
- Step 7** Touching only the metal card carrier, slide the card from the slot and place it directly into an antistatic bag or other ESD-preventive container. If you plan to return the defective card to the factory, repackage it in its original shipping container.

For replacement, wait for 30 seconds after removing the card from the chassis and then, reinsert the new card. For the installation procedure, see [Installing a Fabric Card](#).

Removing the Power Components

This section describes how to remove power components from the Cisco NCS 4016 chassis.



Note Although there are differences between AC and DC power trays and power modules, they are removed using the same procedures.

While it is possible to remove power components from the Cisco NCS 4016 chassis separately, some parts (such as the power tray) require that other parts be removed first.

We recommend that you remove the power components in the order outlined in this section.

Removing AC Input Power Cords

This section describes how to remove AC input power cords from a power tray.

Prerequisites

Power off the AC power modules in the tray you want to disconnect.



Note Before removal, make sure that the input power cables are not energized.

Required Tools and Equipment

- ESD-preventive wrist strap
- 6-inch, number-1 Phillips screwdriver

Steps

To remove the AC input power cords, go to the rear of the chassis and perform the following steps:

Procedure

-
- Step 1** Attach the ESD-preventive wrist strap to your wrist and connect its leash to one of the two ESD jacks on the rear of the chassis. You can also connect the ESD-preventive wrist strap leash to any bare metal surface on the chassis.
- Step 2** Verify that the AC input source breaker is in the off position.
- Step 3** Use the screwdriver to loosen the screws that clamp the cords in place.
- Step 4** Remove the cords from the cord clamps.
-

Removing DC Input Power Cables

This section describes how to remove DC input power cables from a power tray terminal block.

Prerequisites

Power off the DC power modules in the tray you want to disconnect.



Note Before removal, make sure that the input power cables are not energized.

Required Tools and Equipment

- ESD-preventive wrist strap
- 6-inch, number-1 Phillips screwdriver
- 3/8-inch ratchet wrench with 7/16-pt. socket
- Voltmeter

Steps

To disconnect DC input power cables, go to the rear of the chassis or the front if the DC rear to front converter box is used and perform the following steps:

Procedure

-
- Step 1** Attach the ESD-preventive wrist strap to your wrist and connect its leash to one of the two ESD jacks on the rear of the chassis. You can also connect the ESD-preventive wrist strap leash to any bare metal surface on the chassis.
- Step 2** Using the voltmeter, verify that there is no voltage on the cables that are about to be removed.
- Step 3** Use the screwdriver to remove the screw that secures the terminal block cover into the mounting standoff.
- Step 4** Slide the terminal block cover downward.
- Step 5** Remove the terminal block cover.
- Step 6** Disconnect the DC power cables from their terminals in the following order and note the color of each cable:
- a) Negative (PWR) cables first.
 - b) Positive (RTN) cables last.
- Step 7** Replace the terminal block cover.
-

Removing the Chassis Ground Cable

This section describes how to remove the chassis ground cable on the Cisco NCS 4016 chassis.

Prerequisites

Before performing this task, completely power off the entire system. Remove all AC or DC input power connections.



Caution Do not remove the chassis ground cable unless the chassis is powered off and to be replaced.

Required Tools and Equipment

- 3/8-inch drive socket wrench
- 10-mm 6-pt. socket

Steps

Procedure

To remove the ground cable from the chassis, remove the two M6 bolts that attach the ground cable to the NEBS grounding point.

Removing a Power Module Slot Cover

This section describes how to remove a power module slot cover from a power module slot in an AC or DC power tray.

Steps

To remove a power module slot cover from the front of a power tray, perform the following steps:

Procedure

-
- Step 1** Gently pinch the tabs on the top of the power module slot cover to partially detach the slot cover from the slot.
- Step 2** Slide the power module slot cover out by removing the tabs on the bottom of the power module slot cover from the two holes on the bottom of the slot.
-

Removing an AC or DC Power Tray

This section describes how to remove a power tray from the Cisco NCS 4016 chassis.

Prerequisites

- Power off the power shelf that houses the power tray you are about to remove.
- Ensure the power tray you are about to remove is empty. It is not necessary to turn off the switch on the power tray to remove individual power modules. Power modules support OIR, so they can be removed and replaced with the power on and the system operating.



Caution The I/O switch on each power shelf disables the output of the power modules in that shelf only. The inputs to the power modules remain hot, as well as the system's internal bus bar (due to the other power shelf).



Warning In case of power tray replacement, first remove the rear power connections before extracting the power tray. In DC, if the power connections are not removed, the connected power cables will prevent the power tray from being extracted. The power lugs could also be shorted with the metal part of the chassis causing physical damage to the equipment or personnel.

Required Tools and Equipment

- 6-inch, number-1 Phillips screwdriver

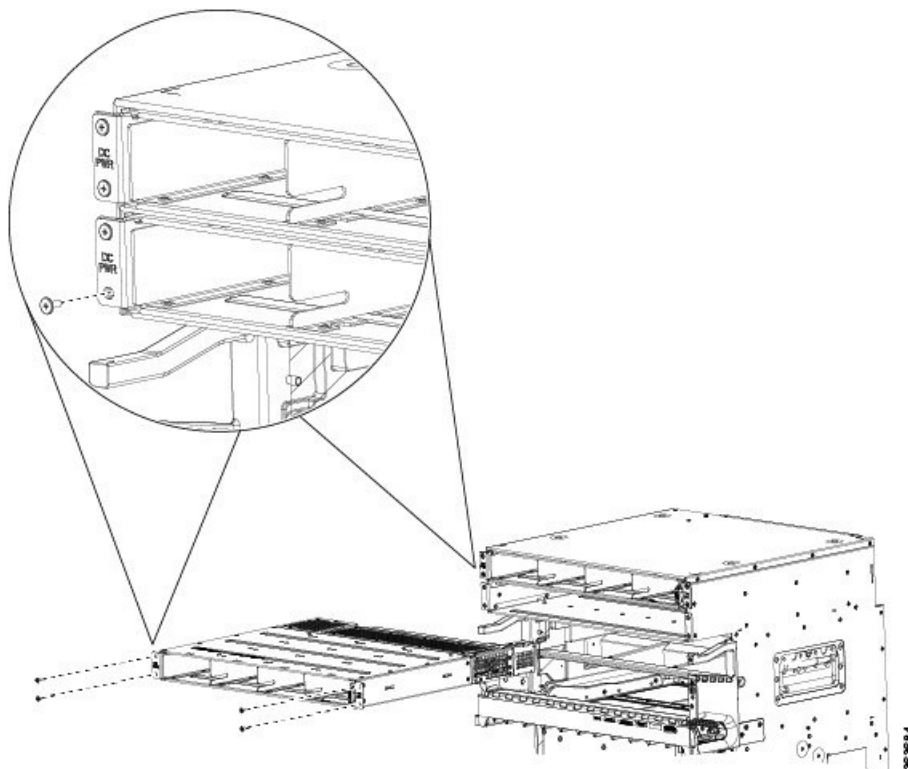
Steps

To remove an AC or DC power tray, perform the following steps:

Procedure

-
- Step 1** Use the screwdriver to loosen the two screws that attach each power tray to the chassis.

Figure 5: Removing a Power Tray from the Chassis



Step 2 Slide the power tray all the way out of the chassis, fully supporting it during removal. You can use the vertical slot dividers to grip the unit.

Caution

Because of the weight of the power tray, and the height at which the power tray is installed in the chassis, you should be especially careful while removing and carrying the power tray. To prevent injury, avoid sudden twists or lateral moves.

Removing an AC or DC Power Module

This section describes how to remove a power module from a power tray.



Note It is not necessary to turn off the switch on the power tray to remove individual power modules. Power modules support OIR, so they can be removed and replaced with the power on and the system operating.

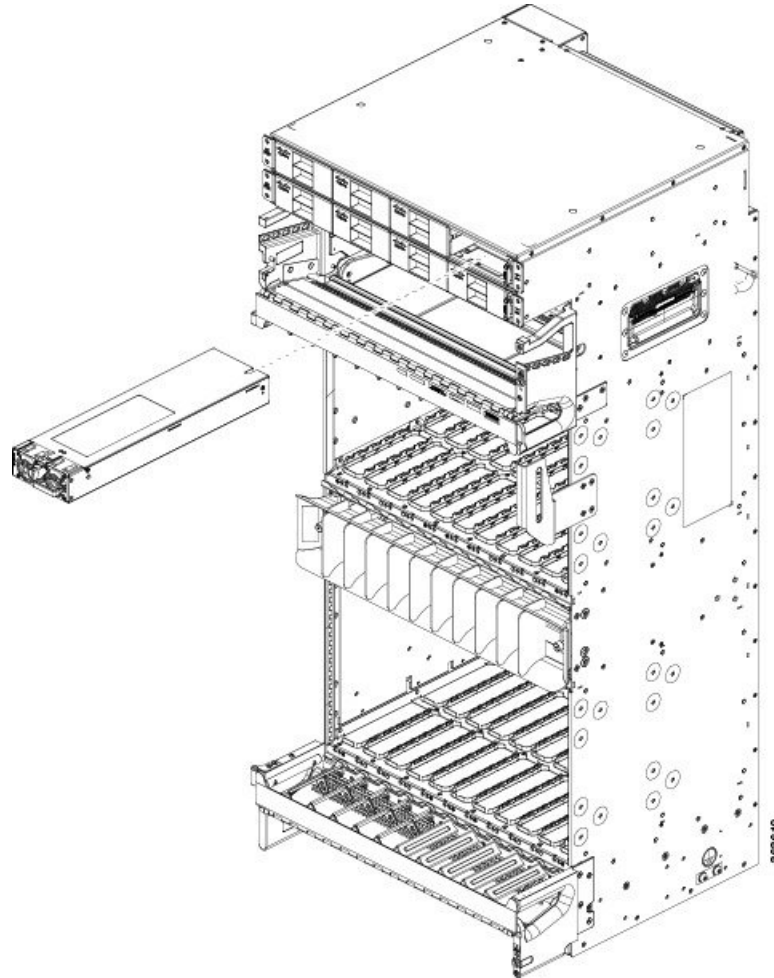
Steps

To remove a power module from the front of a power tray, perform the following steps:

Procedure

- Step 1** Release the snap hook on the power module.
- Step 2** Slide the power module out of its bay in the power tray while supporting it with your other hand. Use the handle available on the front plate of the power module.

Figure 6: Removing a Power Module from a Power Tray



Replacing a Power Module

The following section describes how to replace a power module in a NCS 4016 chassis.

Following are the limitations when a Delta power module (DC power) is replaced with an ACBEL power module (DC power).

- Release 6.1.12 and 6.1.22 software do not support ACBEL PEM, so the FPD upgrade fails and show status is displayed as UPGD FAIL. However the power module will function normally.

- Release 6.1.32 and 6.1.42 software packages come with PSU FPD image version 3.01. Post upgrade, the ACBEL PEM FPD version is shown as 3.01, but it continues to function with its original image, that is, version 4.02.

Follow these steps to replace AC or DC power modules into the chassis:

Procedure

-
- Step 1** Using two hands to support the power module, slide it into the power tray.
- Step 2** Secure the power module into the power tray using the snap hook.
-

Removing and Replacing the Air Filter

This section describes removing and replacing the air filter. The Cisco NCS 4016 chassis is shipped with two air filters installed. The air filters are located in the middle of the chassis behind the plastic grill.

The air filter removes dust from the room air drawn into the chassis by the two fan trays. If they are damaged, dirty, or clogged with dust, they must be replaced with a new air filter. Failure to replace a compromised air filter can result in insufficient air circulation through the chassis and temperature-related environmental alarms.



Caution Never operate the Cisco NCS 4016 chassis without an air filter. Operating a Cisco NCS 4016 chassis without a filter for an extended time can result in damage to the chassis hardware.



Note First inspection of the air filter must be performed six months after the system installation. Air filters must be inspected every three months after the initial six month inspection and replaced if found to be dirty. Inspection of the air filter must be performed as specified in your local site practices. Spare filters must be kept in stock. The filter is sold in packs of 5 (Cisco PID NCS4K-FTF=).

Prerequisites

Before performing this task, open the front door, if installed.

Required Tools and Equipment

- ESD-preventive wrist strap
- Number 1 Phillips screwdriver
- Air filters (Cisco PID NCS4K-FTF=)

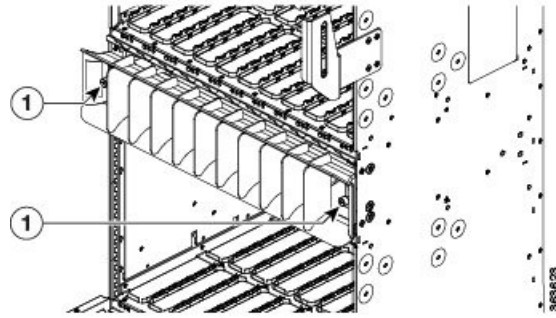
Steps

To remove the air filter:

Procedure

Step 1 Un-tighten the thumb screws on either side of the grill.

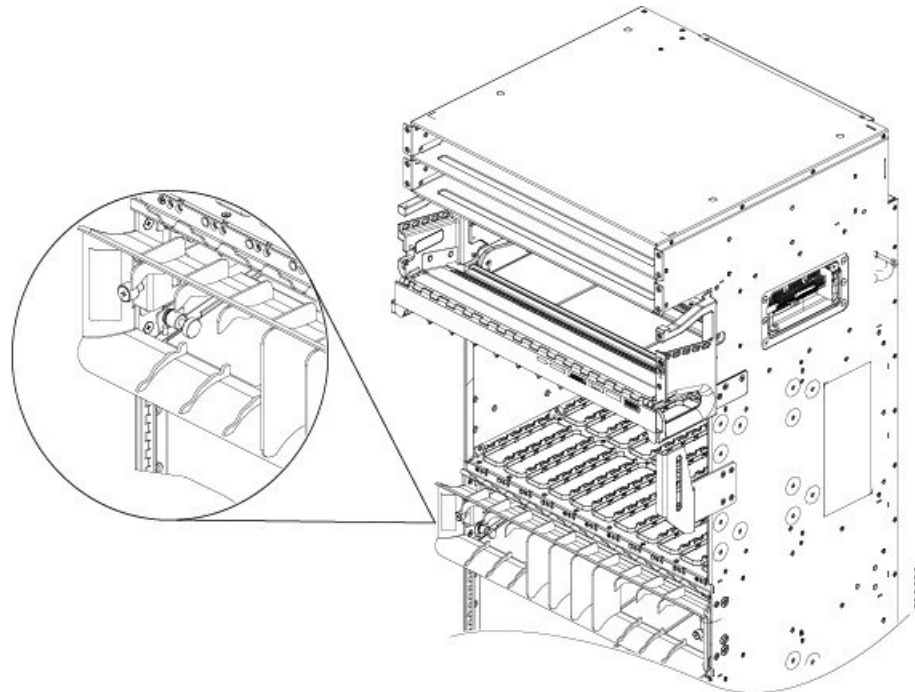
Figure 7: Location of Thumb Screws on Grill



1	Screws on either side of the grill
---	------------------------------------

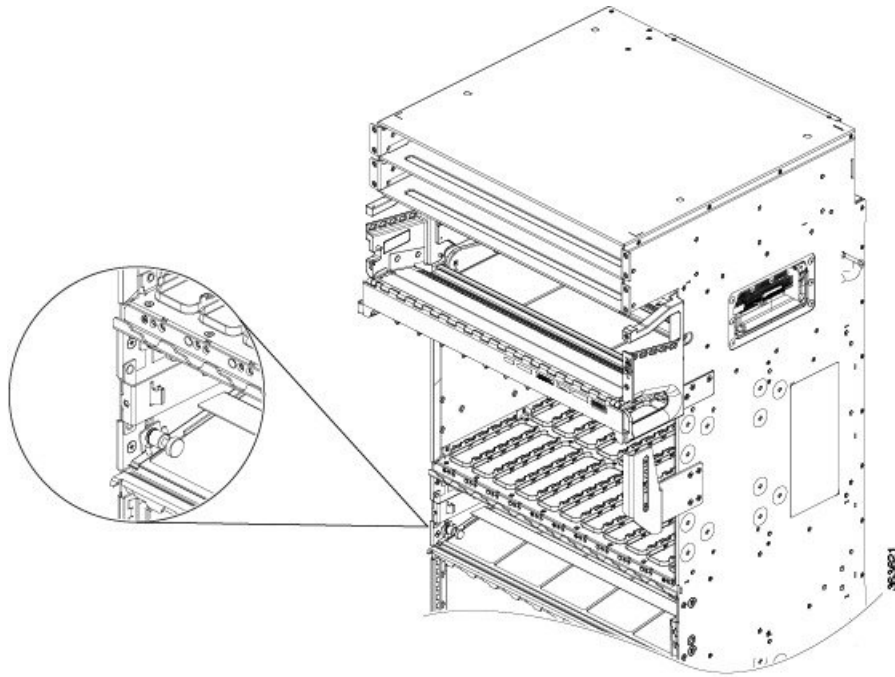
Step 2 Press the latches on the left and the right to release the bezel. Pull out the bezel.

Figure 8: Pressing Latches to Release Bezel



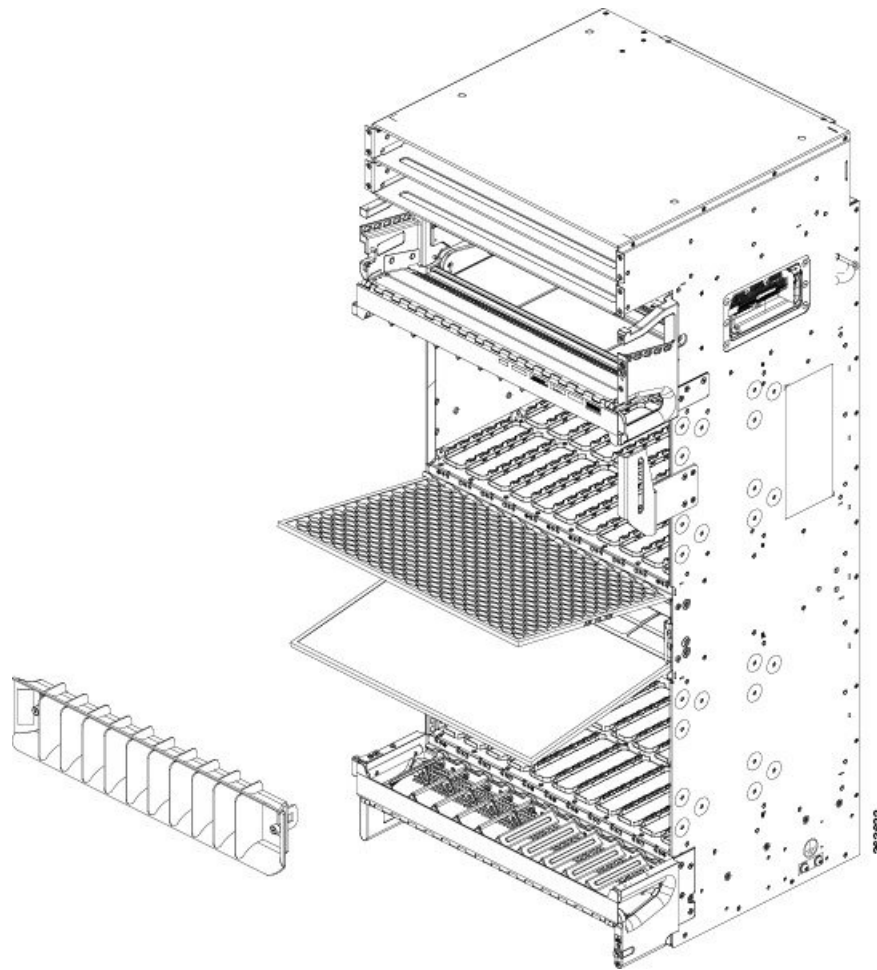
Step 3 Pull out the plungers on the left and the right. Swing the filter trays toward the center of the accessible zone.

Figure 9: Pulling Out the Plungers



Step 4 Pull out the air filters.

Figure 10: Pulling Out the Air Filters



Replacing the Air Filter

To replace the air filter:



Note Verify air flow direction when installing the new air filter. An air flow direction arrow is stamped on the air filter frame and should be installed pointing up.

Procedure

Step 1 Swing up and push in the filter cover.

Step 2 Tighten the two captive screws on the front.

Removing and Replacing the Front Door

This section describes removing and replacing the front door. The Cisco NCS 4016 chassis is shipped with the front door installed. Steps on how to install a key lock are also included.

Required Tools and Equipment

- ESD-preventive wrist strap
- Number 2 Phillips screwdriver, medium and small slot-head screwdrivers
- Front door (Cisco PID NCS4016-DOOR=)

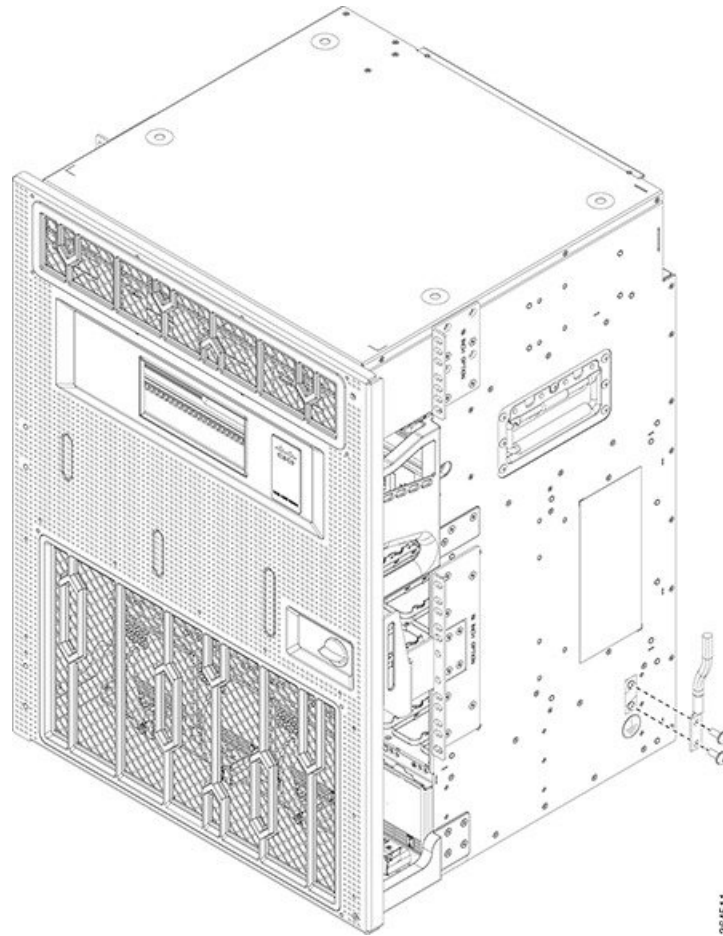
Steps

To remove the front door:

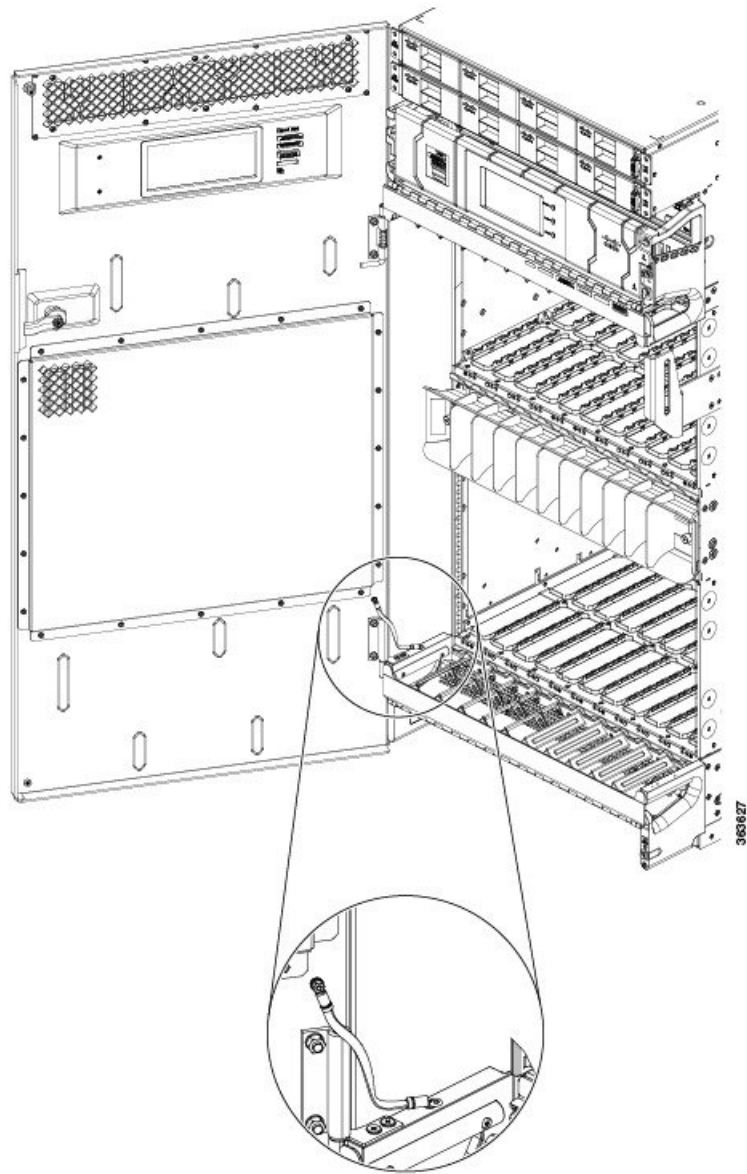
Procedure

Step 1 Turn the knob to unlock the door.

Figure 11: Knob to Unlock Door

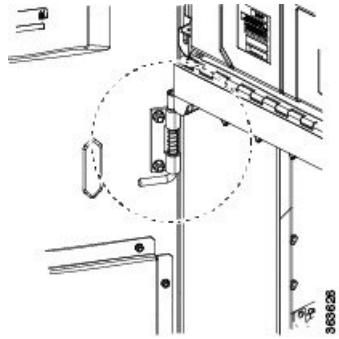


- Step 2** Open the door.
- Step 3** Loosen the screw to disconnect the ground cable.

Figure 12: Disconnecting the Ground Cable

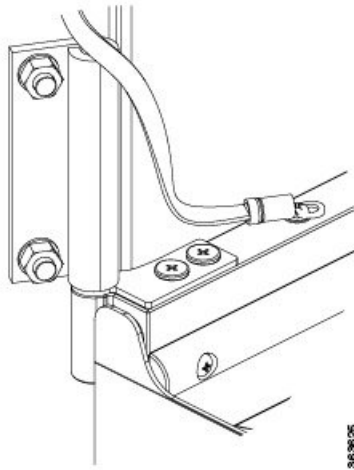
Step 4 Move down the pin to release the door from the chassis hinge.

Figure 13: Pin to Release Door from Hinge



Step 5 Move up the door to release the bottom hinge pin.

Figure 14: Releasing the Bottom Hinge Pin



Replacing the Front Door

To replace the front door:

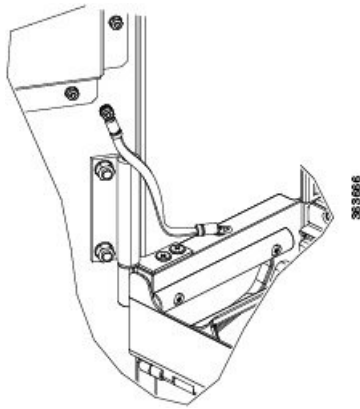


Note Be careful not to crimp any fiber cables that are connected to the MXP/TXP cards or DWDM cards. Some might not have the fiber boot attached.

Procedure

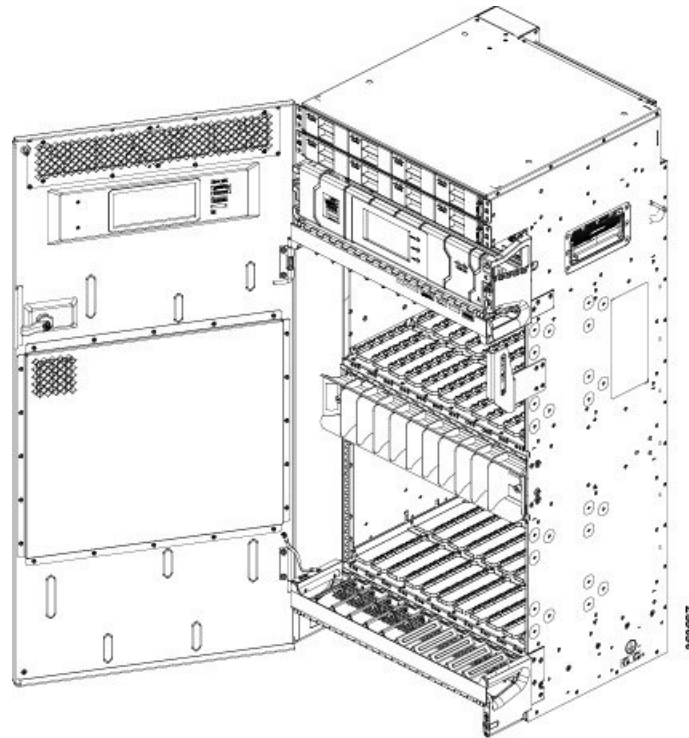
- Step 1** Remove the screw and washer from the chassis fixing point.
- Step 2** Feed the screw through the ground cable ring lug, through the washer, and then into the machined block.

Figure 15: Installing the Door Ground Strap Retrofit Kit



- Step 3** Using a Phillips screwdriver, insert and tighten the screws.
- The following figure shows the shelf assembly with the front door and ground strap installed.

Figure 16: Shelf Assembly with Door Ground Strap Retrofit Kit Installed (ANSI)



- Step 4** Swing the door closed and turn the knob to lock.
-

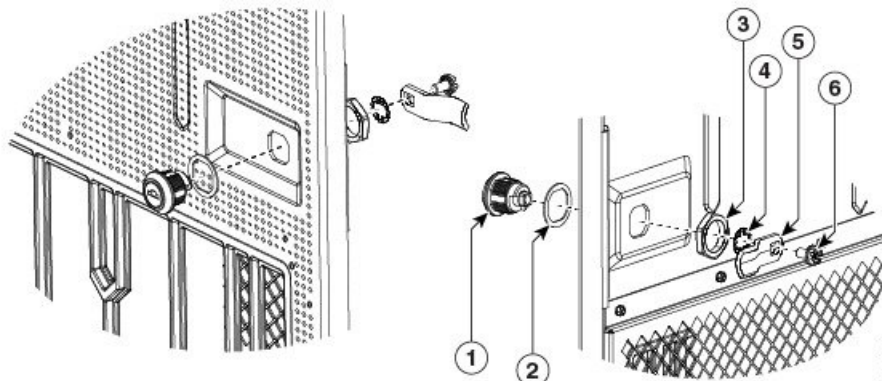
Installing the Optional Key Lock

To install the optional key lock:

Procedure

- Step 1** Open the door.
- Step 2** Disassemble the keyless block:
- On the rear of the door, loosen the screw and remove the retention feature (latch), lock washer and M22 nut.
 - On the front of the door, pull out the keyless block.

Figure 17: Disassembling the Keyless Block



1	Keyless block	2	Washer
3	M22 nut	4	Lock washer
5	Retention feature	6	Screw

Note

The M22 nut, screw, and lock washer are common in both configurations (keyless and keyed). Only the main block and the retention feature are different.

Step 3

Assemble the key block:

- a) On the front of the door, insert the key block and the front washer.
- b) On the rear side of the door, lock the retention M22 nut, insert the lock washer and retention feature (latch), and tighten the screw.

Removing and Replacing the Fan Tray



Warning When servicing the system you must remove only one fan tray at a time and replace it in under five minutes. Do not remove both fan trays at the same time.

This section describes how to remove and replace the upper or lower fan tray. The Cisco NCS 4016 chassis is shipped with two fan trays installed.



Note To replace the fan tray, it is not necessary to move any of the cable management facilities.

Prerequisites

Before performing this task, open the front door, if installed.

Required Tools and Equipment

- ESD-preventive wrist strap
- 6-inch, number-1 Phillips screwdriver
- Fan tray (Cisco PID NCS4K-FTA=)

Steps



Caution Do not force a fan tray into place. Doing so can damage the connectors on the fan tray and/or the connectors on the backplane.

To remove the fan tray:

Procedure

- Step 1** Loosen the two captive screws that hold the fan tray in place.
- Step 2** Rotate the ejectors down or up, depending upon which fan tray you are removing (top or bottom).
- Step 3** Slide the fan tray out of the slot.

Replacing the Fan Tray

To replace the fan tray:

Procedure

- Step 1** Orient the fan tray as specified on front label, based upon whether you are installing the fan tray in the upper or lower slot.

Figure 18: Upper Fan Tray, Arrow Facing Up

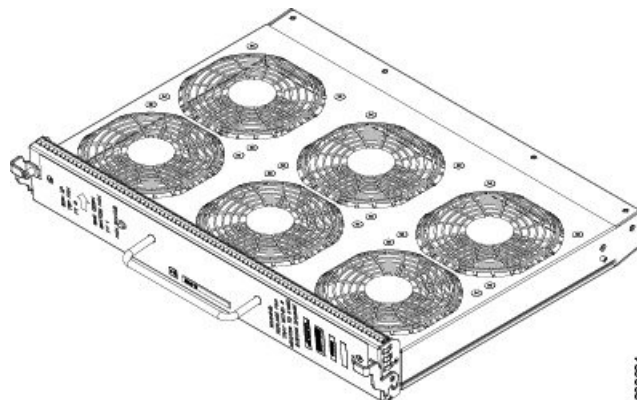
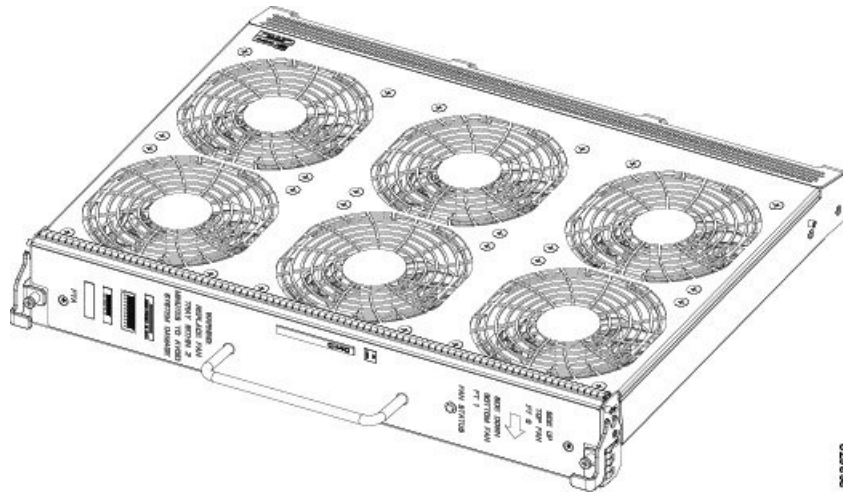
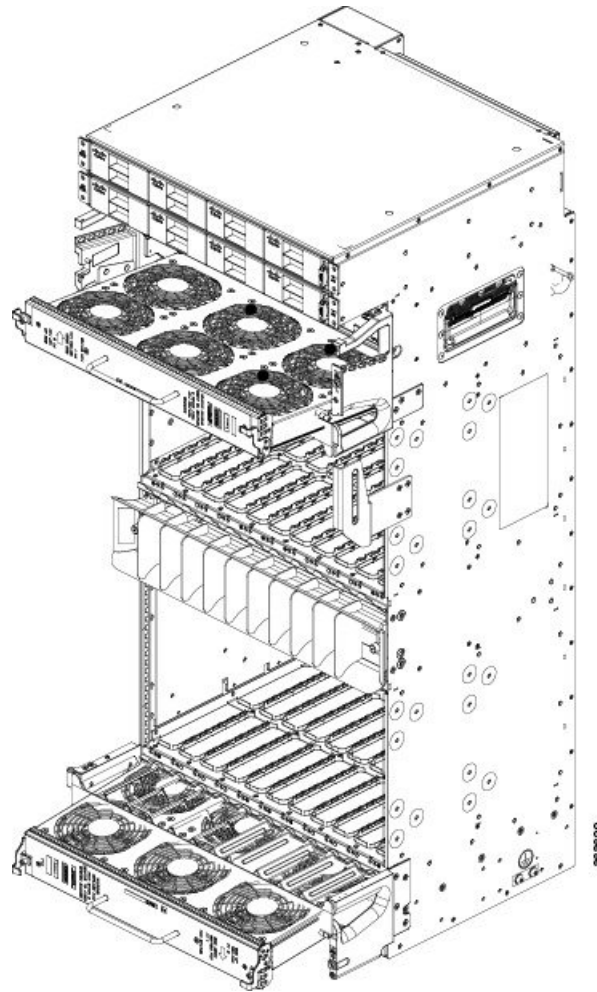


Figure 19: Lower Fan Tray, Arrow Facing Down



- Step 2** Move the ejectors up or down into the stop or block position.
- Step 3** Slide the fan tray into the chassis slot. Tilt the fan tray up when the fan tray is at an inch distance before it slides completely.

Figure 20: Upper and Lower Fan Trays Inserted into Chassis



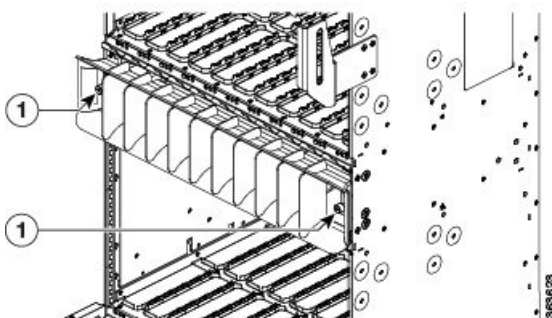
- Step 4** Check the ejector engagement to be sure it is correct. Complete the ejectors rotation to fully insert the fan trays.
- Step 5** Tighten the two captive screws to lock the fan tray in place.

Performing Online Insertion and Removal of Fan Tray

Procedure

- Step 1** Open the front door of chassis by unlocking the ejector lever.
- Step 2** Loosen the two thumb screws on the plastic grill. See [Figure 21: Location of Thumb Screws on Plastic Grill, on page 28](#).

Figure 21: Location of Thumb Screws on Plastic Grill



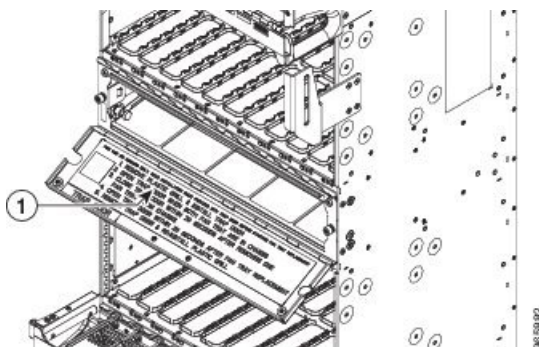
1	Screws on either side of the plastic grill
---	--

- Step 3** Remove the plastic grill from chassis by pressing the tabs in the chassis and place it in secure place.
- Step 4** Place the trap door in chassis in the same area from where the plastic grill was removed.

Caution

Ensure that the trap door opens downward on installation. See [Figure 22: Open Trap Door, on page 28](#).

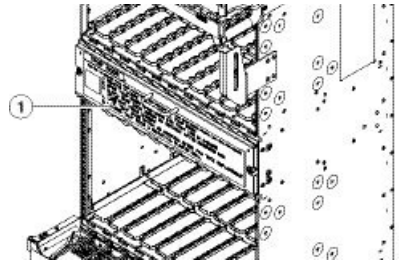
Figure 22: Open Trap Door



1	Trap Door
---	-----------

- Step 5** Tighten thumb screw of trap door assembly.
- Step 6** Open the trap door so that air inlet is completely open. See [Figure 22: Open Trap Door, on page 28](#).
- Step 7** Review the [Removing and Replacing the Fan Tray, on page 24](#) procedure.
- Step 8** Remove top or bottom fan tray as required.
- Step 9** Close the trap door within 20 seconds after removing the fan tray. See [Figure 23: Close Trap Door, on page 29](#).

Figure 23: Close Trap Door



1	Trap Door
---	-----------

- Step 10** Place the new fan tray in the chassis.
- Step 11** Open the trap door within 20 seconds after installing fan tray into chassis.
- Step 12** Remove trap door by loosening the thumb screws and pressing tabs in the chassis.
- Step 13** Re-install the plastic grill into the chassis by tightening the thumb screws.
- Step 14** Close front door of the chassis by locking the ejector lever.
- Step 15** Pack the trap door and the old fan tray into box. Return the box to Cisco.

Removing the Craft Panel

This section describes how to remove the craft panel. The Cisco NCS 4016 chassis is shipped with the craft panel installed. Normally, it is not necessary to remove the craft panel. However, it can be removed. The craft panel is a field replaceable unit.

Prerequisites

Before performing this task, open the front door, if installed.

Required Tools and Equipment

- ESD-preventive wrist strap
- 6-inch, number-1 Phillips screwdriver

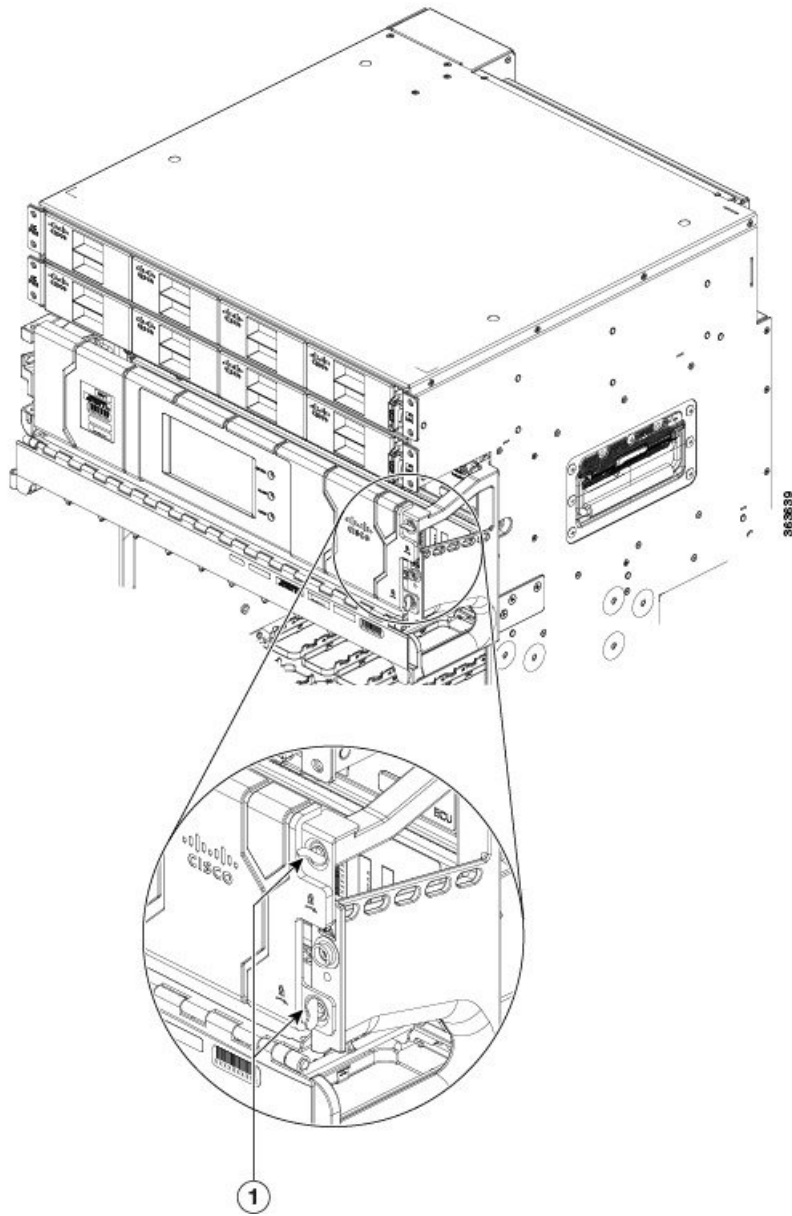
Steps

To remove the craft panel:

Procedure

- Step 1** Loosen the two wing-head screws on the right side.

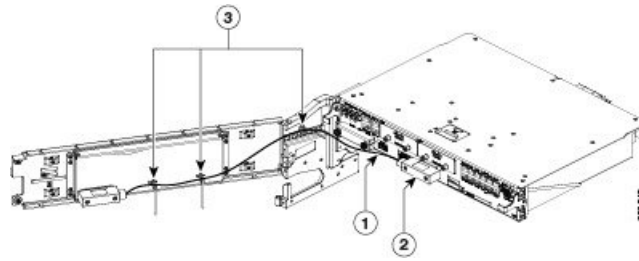
Figure 24: Craft Panel Showing Wing-Head Screws



1- Wing head screws

Step 2 Open the craft panel and rotate it.

Figure 25: Opening the Craft Panel



1 - Craft cable
2 - Connector
3- Three cable ties to hold the LCD cables

- Step 3** Disconnect the craft cable from the ECU/ECU2 faceplate.
- Step 4** Loosen the two connector screws and remove the connector.
- Step 5** Remove the craft panel. Lift up the panel to disengage the hinge pins on the left side from the chassis.

Replacing the Craft Panel

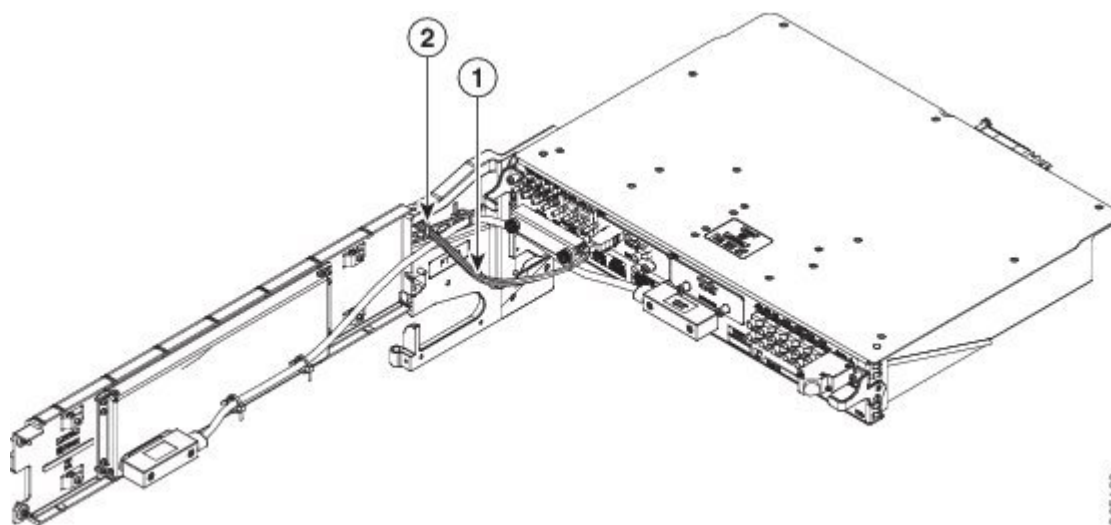
To replace the craft panel:

Procedure

- Step 1** Engage the hinge pins on the left side of the chassis.
- Step 2** Connect the craft cable to the ECU/ECU2 faceplate.
- Step 3** Tighten the two connector screws to a torque value of 4.4lbs.
- Step 4** Close the craft panel and rotate it.
- Step 5** Tighten the two wing-head screws on the right side.

Routing the BITS Cables

Route the BITS cables according to the following image.



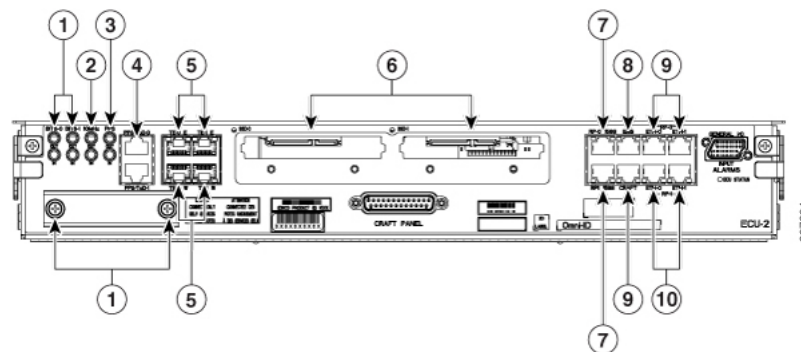
1 - Routing of BITS cables
2 - Cable tie to hold the BITS cables

Routing the Timing Cables

In a multi-chassis configuration, all the LCCs must be phase locked to a common timestamp synchronization pulse of 8 kHz. The timing expansion ports (TE ports) on the ECU2 unit provide this 8 kHz clock between the LCCs for phase synchronization. There are four TE ports available on the ECU2 that provide East and West LCC connectivity for redundancy. The ports are TE-0 East, TE-0 West, TE-1 East, and TE-1 West.

Following are the available ports on the ECU2 :

Figure 26: ECU2 Ports

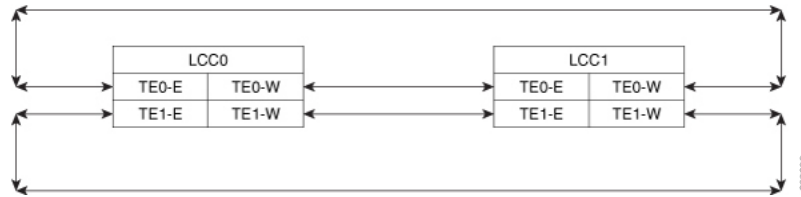


1	BITS	6	SSD
2	10MHz	7	RP
3	PPS	8	EMS
4	PPS/ToD-O	9	CRAFT

5	TE	10	MSM
---	----	----	-----

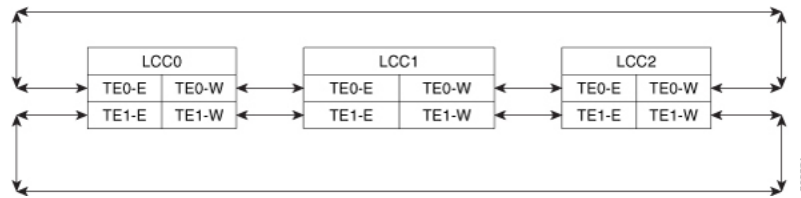
The connections between the TE ports of LCCs is a must for multi-chassis configurations. The following table describes the TE port connections.

Figure 27: ECU2 TE Port Connections for 2+x Configuration



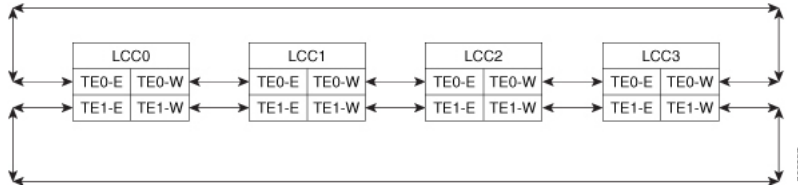
ECU2 Port	LCC0	LCC1	Description
TE0-E	TE0-W (LCC1)	TE0-W (LCC0)	The TE-0 E port on each LCC connects to the TE-0 W port on the next LCC.
TE0-W	TE0-E (LCC1)	TE0-E (LCC0)	The TE-0 W port on each LCC connects to the TE-0 E port on the next LCC.
TE1-E	TE1-W (LCC1)	TE1-W (LCC0)	The TE-1 E port on each LCC connects to the TE-1 W port on the next LCC.
TE1-W	TE1-E (LCC1)	TE1-E (LCC0)	The TE-1 W port on each LCC connects to the TE-1 E port on the next LCC.

Figure 28: ECU2 TE Port Connections for 3+x configuration



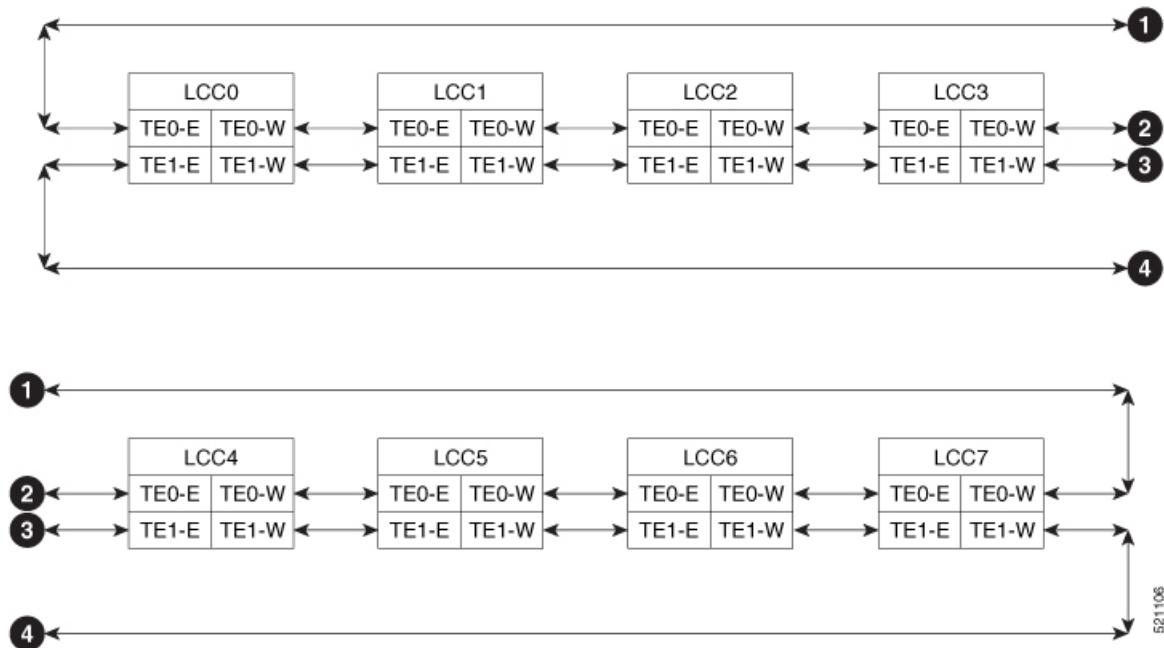
ECU2 Port	LCC0	LCC1	LCC2	Description
TE0-E	TE0-W (LCC2)	TE0-W (LCC0)	TE0-W (LCC1)	The TE-0 E port on each LCC connects to the TE-0 W port on the next LCC.
TE0-W	TE0-E (LCC1)	TE0-E (LCC2)	TE0-E (LCC0)	The TE-0 W port on each LCC connects to the TE-0 E port on the next LCC.
TE1-E	TE1-W (LCC2)	TE1-W (LCC0)	TE1-W (LCC1)	The TE-1 E port on each LCC connects to the TE-1 W port on the next LCC.
TE1-W	TE1-E (LCC1)	TE1-E (LCC2)	TE1-E (LCC0)	The TE-1 W port on each LCC connects to the TE-1 E port on the next LCC.

Figure 29: ECU2 TE Port Connections for 4+x Configuration



ECU2 Port	LCC0	LCC1	LCC2	LCC3	Description
TE0-E	TE0-W (LCC3)	TE0-W (LCC0)	TE0-W (LCC1)	TE0-W (LCC2)	The TE0-E port on each LCC connects to the TE-0 W port on the next LCC.
TE0-W	TE0-E (LCC1)	TE0-E (LCC2)	TE0-E (LCC3)	TE0-E (LCC0)	The TE-0 W port on each LCC connects to the TE-0 E port on the next LCC.
TE1-E	TE1-W (LCC3)	TE1-W (LCC0)	TE1-W (LCC1)	TE1-W (LCC2)	The TE-1 E port on each LCC connects to the TE-1 W port on the next LCC.
TE1-W	TE1-E (LCC1)	TE1-E (LCC2)	TE1-E (LCC3)	TE1-E (LCC0)	The TE-1 W port on each LCC connects to the TE-1 E port on the next LCC.

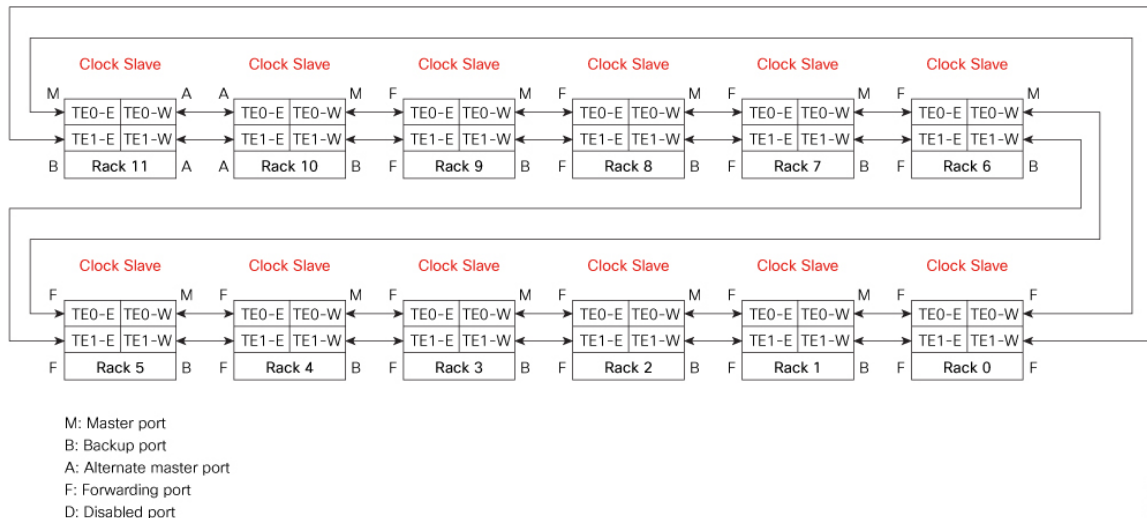
Figure 30: ECU2 TE Port Connections for 8+x Configuration



ECU2 Port	LCC0	LCC1	LCC2	LCC3	Description
TE0-E	TE0-W (LCC7)	TE0-W (LCC0)	TE0-W (LCC1)	TE0-W (LCC2)	The TE0-E port on each LCC connects to the TE0-W port on the previous LCC.
TE0-W	TE0-E (LCC1)	TE0-E (LCC2)	TE0-E (LCC3)	TE0-E (LCC4)	The TE0-W port on each LCC connects to the TE0-E port on the next LCC.
TE1-E	TE1-W (LCC7)	TE1-W (LCC0)	TE1-W (LCC1)	TE1-W (LCC2)	The TE1-E port on each LCC connects to the TE1-W port on the previous LCC.
TE1-W	TE1-E (LCC1)	TE1-E (LCC2)	TE1-E (LCC3)	TE1-E (LCC4)	The TE1-W port on each LCC connects to the TE1-E port on the next LCC.

ECU2 Port	LCC4	LCC5	LCC6	LCC7	Description
TE0-E	TE0-W (LCC3)	TE0-W (LCC4)	TE0-W (LCC5)	TE0-W (LCC6)	The TE0-E port on each LCC connects to the TE0-W port on the previous LCC.
TE0-W	TE0-E (LCC5)	TE0-E (LCC6)	TE0-E (LCC7)	TE0-E (LCC0)	The TE0-W port on each LCC connects to the TE0-E port on the next LCC.
TE1-E	TE1-W (LCC3)	TE1-W (LCC4)	TE1-W (LCC5)	TE1-W (LCC6)	The TE1-E port on each LCC connects to the TE1-W port on the previous LCC.
TE1-W	TE1-E (LCC5)	TE1-E (LCC6)	TE1-E (LCC7)	TE1-E (LCC0)	The TE1-W port on each LCC connects to the TE1-E port on the next LCC.

Figure 31: ECU2 TE Port Connections for 12+x Configuration



522024

ECU2 Port	LCC0	LCC1	LCC2	LCC3	Description
TE0-E	TE0-W (LCC11)	TE0-W (LCC0)	TE0-W (LCC1)	TE0-W (LCC2)	The TE0-E port on each LCC connects to the TE0-W port on the previous LCC.
TE0-W	TE0-E (LCC1)	TE0-E (LCC2)	TE0-E (LCC3)	TE0-E (LCC4)	The TE0-W port on each LCC connects to the TE0-E port on the next LCC.
TE1-E	TE1-W (LCC11)	TE1-W (LCC0)	TE1-W (LCC1)	TE1-W (LCC2)	The TE1-E port on each LCC connects to the TE1-W port on the previous LCC.
TE1-W	TE1-E (LCC1)	TE1-E (LCC2)	TE1-E (LCC3)	TE1-E (LCC4)	The TE1-W port on each LCC connects to the TE1-E port on the next LCC.

ECU2 Port	LCC4	LCC5	LCC6	LCC7	Description
TE0-E	TE0-W (LCC3)	TE0-W (LCC4)	TE0-W (LCC5)	TE0-W (LCC6)	The TE0-E port on each LCC connects to the TE0-W port on the previous LCC.
TE0-W	TE0-E (LCC5)	TE0-E (LCC6)	TE0-E (LCC7)	TE0-E (LCC8)	The TE0-W port on each LCC connects to the TE0-E port on the next LCC.
TE1-E	TE1-W (LCC3)	TE1-W (LCC4)	TE1-W (LCC5)	TE1-W (LCC6)	The TE1-E port on each LCC connects to the TE1-W port on the previous LCC.

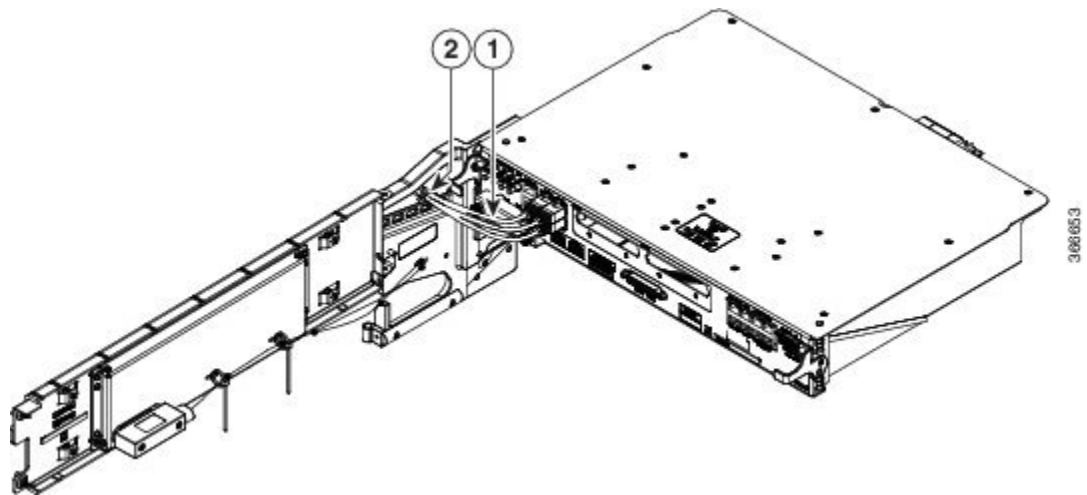
ECU2 Port	LCC4	LCC5	LCC6	LCC7	Description
TE1-W	TE1-E (LCC5)	TE1-E (LCC6)	TE1-E (LCC7)	TE1-E (LCC8)	The TE1-W port on each LCC connects to the TE1-E port on the next LCC.

ECU2 Port	LCC8	LCC9	LCC10	LCC11	Description
TE0-E	TE0-W (LCC7)	TE0-W (LCC8)	TE0-W (LCC9)	TE0-W (LCC10)	The TE0-E port on each LCC connects to the TE0-W port on the previous LCC.
TE0-W	TE0-E (LCC9)	TE0-E (LCC10)	TE0-E (LCC11)	TE0-E (LCC0)	The TE0-W port on each LCC connects to the TE0-E port on the next LCC.
TE1-E	TE1-W (LCC7)	TE1-W (LCC8)	TE1-W (LCC9)	TE1-W (LCC10)	The TE1-E port on each LCC connects to the TE1-W port on the previous LCC.
TE1-W	TE1-E (LCC9)	TE1-E (LCC10)	TE1-E (LCC11)	TE1-E (LCC0)	The TE1-W port on each LCC connects to the TE1-E port on the next LCC.

Automatic switchover between TE ports is supported in case of failures.

Route the Timing cables for ECU2 according to the following image.

Figure 32: Timing Cables for ECU2



1 - Routing of Timing cables
2 - Cable tie to hold the Timing cables

Removing the External Connection Unit

This section describes how to remove the external connection unit (ECU). The ECU/ECU2 provides all shelf electrical I/O connectivity to the active and standby route-processor line cards. The Cisco NCS 4016 chassis is shipped with the ECU/ECU2 installed.

Prerequisites

- Open the front door, if installed.
- Make sure that the craft panel has been removed. See the [Removing the Craft Panel](#), on page 29.

Required Tools and Equipment

- ESD-preventive wrist strap
- 6-inch, number-1 Phillips screwdriver
- ECU (Cisco PID NCS4K-ECU=)
- ECU2 (Cisco PID NCS4K-ECU2=)

Steps

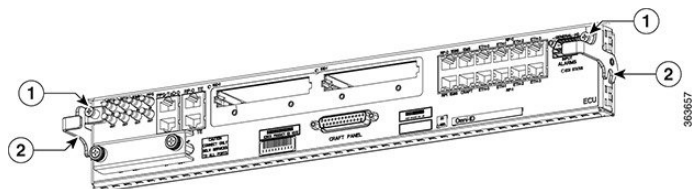
To remove the ECU/ECU2:

Procedure

Step 1 Disconnect all cables from the ECU/ECU2 faceplate.

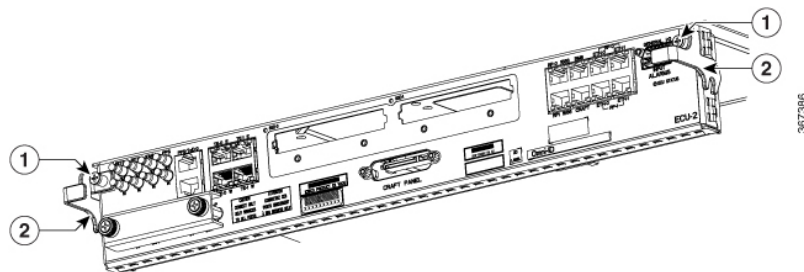
Step 2 Loosen the two captive screws.

Figure 33: ECU



1 - Captive Screw	2 - Ejector
-------------------	-------------

Figure 34: ECU2



1 - Captive Screw	2 - Ejector
-------------------	-------------

Note

For easy extraction, use RJ45 plug with longer lever for timing port and PPS/ToD port.

- Step 3** Rotate the ejectors to point down.
- Step 4** Grasp the upper and lower portions of the ECU/ECU2 with fingers to pull out the ECU/ECU2 from the chassis.
-

Replacing the External Connection Unit

To replace the ECU/ECU2:

Procedure

-
- Step 1** Rotate the ejectors to point down.
- Step 2** Push the ECU/ECU2 into the chassis.
- Step 3** Rotate the ejectors to point up.
- Step 4** Tighten the two captive screws.
- Step 5** Connect all cables to the ECU/ECU2 faceplate.
-

Replacing an SSD

The ECU/ECU2 houses two 2.5-in. solid-state drives (SSDs).

Prerequisites

- Open the front door, if installed.
- Make sure that the ECU/ECU2 is installed.

Required Tools and Equipment

- ESD-preventive wrist strap
- 6-inch, number-1 Phillips screwdriver
- SSDs (Cisco PID NCS4K-SSD-100G or NCS4K-SSD-200G=)

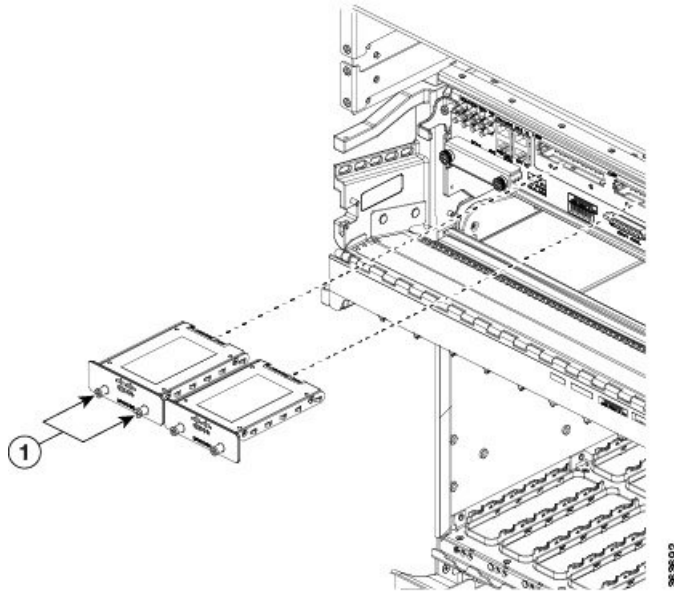
Steps

To remove an SSD:

Procedure

-
- Step 1** Loosen the two captive screws.

Figure 35: Captive Screws on the SSD



1 - Captive screws

Step 2 Slide out the SSD from the ECU/ECU2 slot.

What to do next

To replace a SSD:

Slide the SSD into the ECU/ECU2 slot and tighten the two captive screws to secure the SSD into place.