



Unpacking the Router

This chapter contains these sections:

- [Unpacking the Router, on page 1](#)
- [Package Contents, on page 1](#)
- [Supported Modules and Interfaces, on page 3](#)

Unpacking the Router

This chapter includes instructions about how to unpack the IR8140H and describes the items that ship with the router.



Note When you unpack the router, do not remove the foam blocks attached to the antennas and antenna connectors until you install the router. The foam protects the antennas and connectors during installation.

To unpack the router:

-
- Step 1** Open the shipping container and carefully remove the contents.
 - Step 2** Return all the packing material to the shipping container, and save it.
 - Step 3** Ensure that all the items listed in [Package Contents, on page 1](#) are included in the shipment. If any item is damaged or missing, notify your authorized Cisco sales representative.
-

Package Contents

The following table lists the items that are shipped with your router.

Table 1: IR8140H Package Contents

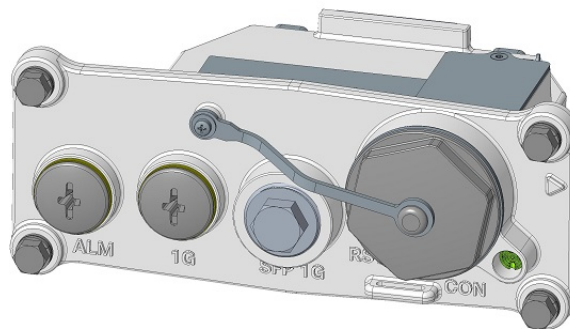
Qty.	Item	Description
1	Cisco IR8140H	Router enclosure with the following components installed: <ul style="list-style-type: none"> • Power supply (100 to 240 VAC, 60 W output) attached to the back of the IR8140H. Power supply converts AC input voltage to 12V DC output voltage for the router (+/- 10 percent) and input frequency 60Hz and 50Hz (+/- 5 percent) • Up to three plug-in UIMs installed with the following two supported module types (slots 1, 2, and 3): <ul style="list-style-type: none"> • IRMH-WPAN module • IRMH-LTE module • CPU module (reserved Slot 0, bottom of the unit) • On-board GNSS receiver with pre-installed antenna • N-type connector for direct mount of outdoor antennas • Battery Backup Units (BBUs), 0 to 3 depending on the configuration ordered
1	Console cable	RJ-45 to DB-9
1	Grounding kit	Grounding lug and two screws
1	Mounting Bracket Kit	Includes: <ul style="list-style-type: none"> • Mounting bracket • Required hardware
Optional Items (Ordered Separately)		
1	Pole mount kit	Includes: <ul style="list-style-type: none"> • Mounting plate • Two clamp brackets • Required hardware
1	Band strap kit	Two steel straps
1	Strap tool kit	BAND-IT strap tool
1	Antenna plug	IR-ANT-PLUG

Qty.	Item	Description
1	Cable glands kit	Includes: <ul style="list-style-type: none"> • One cable gland (more can be ordered) • One tube of antiseize compound
1	Fiber Adapter Kit	Includes: <ul style="list-style-type: none"> • Cable extender • Cable gland
3	Module slot cover	IRMH-BLANK

Supported Modules and Interfaces

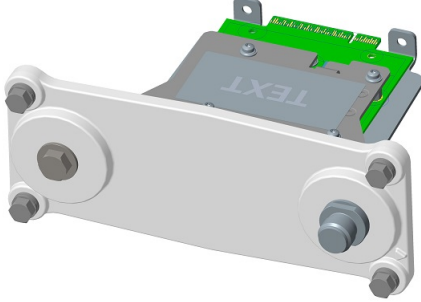
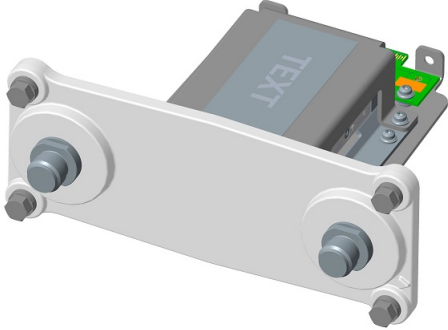
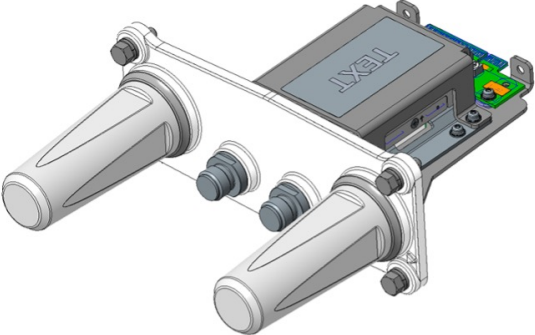
The Supervisor module serves as the CPU for the industrial router and is installed at the bottom of the router in the super slot.

Figure 1: IRMH-SUP-SP Supervisor Module



The following table shows the supported interface modules for IR8140H. For a complete list of all supported modules, see [Supported Modules](#).

Table 2: Supported Interface Modules on IR8140H

Type	Module
IRMH-WPAN module	 A 3D perspective view of the IRMH-WPAN module. It features a silver metal mounting bracket with four screws. A green printed circuit board (PCB) is mounted on the bracket, with a grey component labeled 'TEXT' on its surface.
IRMH-LTE module	 A 3D perspective view of the IRMH-LTE module. It features a silver metal mounting bracket with four screws. A grey component labeled 'TEXT' is mounted on the bracket, with a green PCB visible on the right side.
IRMH-5GS6-GL module	 A 3D perspective view of the IRMH-5GS6-GL module. It features a silver metal mounting bracket with four screws. A grey component labeled 'TEXT' is mounted on the bracket, with a green PCB visible on the right side. Two grey, conical antenna connectors are attached to the front of the module.