



# Configuring a Basic BGP Network

---

This module describes the basic tasks to configure a basic Border Gateway Protocol (BGP) network. BGP is an interdomain routing protocol that is designed to provide loop-free routing between organizations. The Cisco IOS implementation of the neighbor and address family commands is explained. This module also contains tasks to configure and customize BGP peers, implement BGP route aggregation, configure BGP route origination, and define BGP backdoor routes. BGP peer group definition is documented, peer session templates are introduced, and update groups are explained,

- [Prerequisites for Configuring a Basic BGP Network, on page 1](#)
- [Restrictions for Configuring a Basic BGP Network, on page 1](#)
- [Information About Configuring a Basic BGP Network, on page 1](#)
- [How to Configure a Basic BGP Network, on page 16](#)
- [Configuration Examples for a Basic BGP Network, on page 74](#)
- [Where to Go Next, on page 89](#)
- [Additional References, on page 89](#)
- [Feature Information for Configuring a Basic BGP Network, on page 90](#)

## Prerequisites for Configuring a Basic BGP Network

Before configuring a basic BGP network, you should be familiar with the “Cisco BGP Overview” module.

## Restrictions for Configuring a Basic BGP Network

A device that runs Cisco software can be configured to run only one BGP routing process and to be a member of only one BGP autonomous system. However, a BGP routing process and autonomous system can support multiple address family configurations.

## Information About Configuring a Basic BGP Network

### BGP Version 4

Border Gateway Protocol (BGP) is an interdomain routing protocol designed to provide loop-free routing between separate routing domains that contain independent routing policies (autonomous systems). The Cisco

software implementation of BGP version 4 includes multiprotocol extensions to allow BGP to carry routing information for IP multicast routes and multiple Layer 3 protocol address families including IP Version 4 (IPv4), IP Version 6 (IPv6), and Virtual Private Networks version 4 (VPNv4).

BGP is mainly used to connect a local network to an external network to gain access to the Internet or to connect to other organizations. When connecting to an external organization, external BGP (eBGP) peering sessions are created. Although BGP is referred to as an exterior gateway protocol (EGP) many networks within an organization are becoming so complex that BGP can be used to simplify the internal network used within the organization. BGP peers within the same organization exchange routing information through internal BGP (iBGP) peering sessions.



---

**Note** BGP requires more configuration than other routing protocols, and the effects of any configuration changes must be fully understood. Incorrect configuration can create routing loops and negatively impact normal network operation.

---

## BGP Router ID

BGP uses a router ID to identify BGP-speaking peers. The BGP router ID is a 32-bit value that is often represented by an IPv4 address. By default, the Cisco software sets the router ID to the IPv4 address of a loopback interface on the router. If no loopback interface is configured on the device, the software chooses the highest IPv4 address configured on a physical interface of the device to represent the BGP router ID. The BGP router ID must be unique to the BGP peers in a network.

## BGP-Speaker and Peer Relationships

A BGP-speaking device does not discover another BGP-speaking device automatically. A network administrator usually manually configures the relationships between BGP-speaking devices. A peer device is a BGP-speaking device that has an active TCP connection to another BGP-speaking device. This relationship between BGP devices is often referred to as a neighbor, but because this can imply the idea that the BGP devices are directly connected with no other device in between, the term *neighbor* will be avoided whenever possible in this document. A BGP speaker is the local device, and a peer is any other BGP-speaking network device.

When a TCP connection is established between peers, each BGP peer initially exchanges all its routes—the complete BGP routing table—with the other peer. After this initial exchange, only incremental updates are sent when there has been a topology change in the network, or when a routing policy has been implemented or modified. In the periods of inactivity between these updates, peers exchange special messages called keepalives.

A BGP autonomous system is a network that is controlled by a single technical administration entity. Peer devices are called external peers when they are in different autonomous systems and internal peers when they are in the same autonomous system. Usually, external peers are adjacent and share a subnet; internal peers may be anywhere in the same autonomous system.

## BGP Autonomous System Number Formats

Prior to January 2009, BGP autonomous system numbers that were allocated to companies were 2-octet numbers in the range from 1 to 65535 as described in RFC 4271, *A Border Gateway Protocol 4 (BGP-4)*. Due to increased demand for autonomous system numbers, the Internet Assigned Number Authority (IANA) will start in January 2009 to allocate four-octet autonomous system numbers in the range from 65536 to

4294967295. RFC 5396, *Textual Representation of Autonomous System (AS) Numbers*, documents three methods of representing autonomous system numbers. Cisco has implemented the following two methods:

- **Asplain**--Decimal value notation where both 2-byte and 4-byte autonomous system numbers are represented by their decimal value. For example, 65526 is a 2-byte autonomous system number and 234567 is a 4-byte autonomous system number.
- **Asdot**--Autonomous system dot notation where 2-byte autonomous system numbers are represented by their decimal value and 4-byte autonomous system numbers are represented by a dot notation. For example, 65526 is a 2-byte autonomous system number and 1.169031 is a 4-byte autonomous system number (this is dot notation for the 234567 decimal number).

For details about the third method of representing autonomous system numbers, see RFC 5396.

### Asdot Only Autonomous System Number Formatting

In Cisco IOS Release 12.0(32)S12, 12.4(24)T, and later releases, the 4-octet (4-byte) autonomous system numbers are entered and displayed only in asdot notation, for example, 1.10 or 45000.64000. When using regular expressions to match 4-byte autonomous system numbers the asdot format includes a period which is a special character in regular expressions. A backslash must be entered before the period (for example, 1\.14) to ensure the regular expression match does not fail. The table below shows the format in which 2-byte and 4-byte autonomous system numbers are configured, matched in regular expressions, and displayed in **show** command output in Cisco IOS images where only asdot formatting is available.

**Table 1: Asdot Only 4-Byte Autonomous System Number Format**

Format	Configuration Format	Show Command Output and Regular Expression Match Format
asdot	2-byte: 1 to 65535 4-byte: 1.0 to 65535.65535	2-byte: 1 to 65535 4-byte: 1.0 to 65535.65535

### Asplain as Default Autonomous System Number Formatting

In Cisco IOS Release 12.0(32)SY8, 12.0(33)S3, 12.2(33)SRE, 12.2(33)XNE, 12.2(33)SX11, and later releases, the Cisco implementation of 4-byte autonomous system numbers uses asplain as the default display format for autonomous system numbers, but you can configure 4-byte autonomous system numbers in both the asplain and asdot format. In addition, the default format for matching 4-byte autonomous system numbers in regular expressions is asplain, so you must ensure that any regular expressions to match 4-byte autonomous system numbers are written in the asplain format. If you want to change the default **show** command output to display 4-byte autonomous system numbers in the asdot format, use the **bgp asnotation dot** command under router configuration mode. When the asdot format is enabled as the default, any regular expressions to match 4-byte autonomous system numbers must be written using the asdot format, or the regular expression match will fail. The tables below show that although you can configure 4-byte autonomous system numbers in either asplain or asdot format, only one format is used to display **show** command output and control 4-byte autonomous system number matching for regular expressions, and the default is asplain format. To display 4-byte autonomous system numbers in **show** command output and to control matching for regular expressions in the asdot format, you must configure the **bgp asnotation dot** command. After enabling the **bgp asnotation dot** command, a hard reset must be initiated for all BGP sessions by entering the **clear ip bgp \*** command.



**Note** If you are upgrading to an image that supports 4-byte autonomous system numbers, you can still use 2-byte autonomous system numbers. The **show** command output and regular expression match are not changed and remain in asplain (decimal value) format for 2-byte autonomous system numbers regardless of the format configured for 4-byte autonomous system numbers.

**Table 2: Default Asplain 4-Byte Autonomous System Number Format**

Format	Configuration Format	Show Command Output and Regular Expression Match Format
asplain	2-byte: 1 to 65535 4-byte: 65536 to 4294967295	2-byte: 1 to 65535 4-byte: 65536 to 4294967295
asdot	2-byte: 1 to 65535 4-byte: 1.0 to 65535.65535	2-byte: 1 to 65535 4-byte: 65536 to 4294967295

**Table 3: Asdot 4-Byte Autonomous System Number Format**

Format	Configuration Format	Show Command Output and Regular Expression Match Format
asplain	2-byte: 1 to 65535 4-byte: 65536 to 4294967295	2-byte: 1 to 65535 4-byte: 1.0 to 65535.65535
asdot	2-byte: 1 to 65535 4-byte: 1.0 to 65535.65535	2-byte: 1 to 65535 4-byte: 1.0 to 65535.65535

### Reserved and Private Autonomous System Numbers

In Cisco IOS Release 12.0(32)S12, 12.0(32)SY8, 12.0(33)S3, 12.2(33)SRE, 12.2(33)XNE, 12.2(33)SX11, 12.4(24)T, and later releases, the Cisco implementation of BGP supports RFC 4893. RFC 4893 was developed to allow BGP to support a gradual transition from 2-byte autonomous system numbers to 4-byte autonomous system numbers. A new reserved (private) autonomous system number, 23456, was created by RFC 4893 and this number cannot be configured as an autonomous system number in the Cisco IOS CLI.

RFC 5398, *Autonomous System (AS) Number Reservation for Documentation Use*, describes new reserved autonomous system numbers for documentation purposes. Use of the reserved numbers allow configuration examples to be accurately documented and avoids conflict with production networks if these configurations are literally copied. The reserved numbers are documented in the IANA autonomous system number registry. Reserved 2-byte autonomous system numbers are in the contiguous block, 64496 to 64511 and reserved 4-byte autonomous system numbers are from 65536 to 65551 inclusive.

Private 2-byte autonomous system numbers are still valid in the range from 64512 to 65534 with 65535 being reserved for special use. Private autonomous system numbers can be used for internal routing domains but must be translated for traffic that is routed out to the Internet. BGP should not be configured to advertise private autonomous system numbers to external networks. Cisco IOS software does not remove private autonomous system numbers from routing updates by default. We recommend that ISPs filter private autonomous system numbers.



---

**Note** Autonomous system number assignment for public and private networks is governed by the IANA. For information about autonomous-system numbers, including reserved number assignment, or to apply to register an autonomous system number, see the following URL: <http://www.iana.org/>.

---

## Cisco Implementation of 4-Byte Autonomous System Numbers

In Cisco IOS Release 12.0(32)SY8, 12.0(33)S3, 12.2(33)SRE, 12.2(33)XNE, 12.2(33)SX11, 15.1(1)SG, and later releases, the Cisco implementation of 4-byte autonomous system numbers uses asplain (65538, for example) as the default regular expression match and the output display format for AS numbers. However, you can configure 4-byte autonomous system numbers in both the asplain format and the asdot format as described in RFC 5396.

To change the default regular expression match and output display of 4-byte autonomous system numbers to asdot format, use the **bgp asnotation dot** command followed by the **clear ip bgp \*** command to perform a hard reset of all current BGP sessions.

In Cisco IOS Release 12.0(32)S12, and 12.4(24)T, the Cisco implementation of 4-byte autonomous system numbers uses asdot (1.2, for example) as the only configuration format, regular expression match, and output display, with no asplain support.

For an example of BGP peers in two autonomous systems using 4-byte numbers, see the figure below. To view a configuration example of the configuration between three neighbor peers in separate 4-byte autonomous systems configured using asdot notation, see the Examples: Configuring a BGP Routing Process and Peers Using 4-Byte Autonomous System Numbers.

Cisco also supports RFC 4893, which was developed to allow BGP to support a gradual transition from 2-byte autonomous system numbers to 4-byte autonomous system numbers. To ensure a smooth transition, we recommend that all BGP speakers within an autonomous system that is identified using a 4-byte autonomous system number be upgraded to support 4-byte autonomous system numbers.

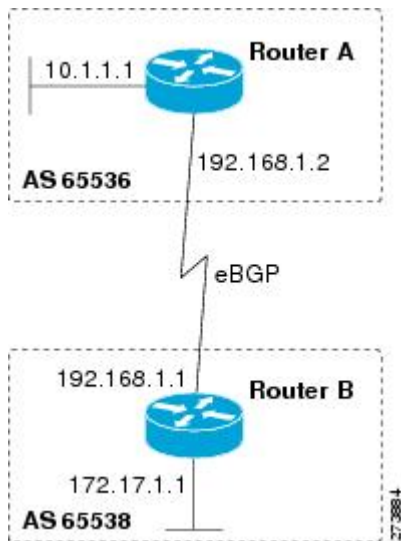


---

**Note** A new private autonomous system number, 23456, was created by RFC 4893, and this number cannot be configured as an autonomous system number in the Cisco IOS CLI.

---

Figure 1: BGP Peers in Two Autonomous Systems Using 4-Byte Numbers



## BGP Peer Session Establishment

When a BGP routing process establishes a peering session with a peer, it goes through the following state changes:

- **Idle**—The initial state that the BGP routing process enters when the routing process is enabled or when the device is reset. In this state, the device waits for a start event, such as a peering configuration with a remote peer. After the device receives a TCP connection request from a remote peer, the device initiates another start event to wait for a timer before starting a TCP connection to a remote peer. If the device is reset, the peer is reset and the BGP routing process returns to the Idle state.
- **Connect**—The BGP routing process detects that a peer is trying to establish a TCP session with the local BGP speaker.
- **Active**—In this state, the BGP routing process tries to establish a TCP session with a peer device using the ConnectRetry timer. Start events are ignored while the BGP routing process is in the Active state. If the BGP routing process is reconfigured or if an error occurs, the BGP routing process will release system resources and return to an Idle state.
- **OpenSent**—The TCP connection is established, and the BGP routing process sends an OPEN message to the remote peer, and transitions to the OpenSent state. The BGP routing process can receive other OPEN messages in this state. If the connection fails, the BGP routing process transitions to the Active state.
- **OpenReceive**—The BGP routing process receives the OPEN message from the remote peer and waits for an initial keepalive message from the remote peer. When a keepalive message is received, the BGP routing process transitions to the Established state. If a notification message is received, the BGP routing process transitions to the Idle state. If an error or configuration change occurs that affects the peering session, the BGP routing process sends a notification message with the Finite State Machine (FSM) error code and then transitions to the Idle state.
- **Established**—The initial keepalive is received from the remote peer. Peering is now established with the remote neighbor and the BGP routing process starts exchanging update message with the remote peer.

The hold timer restarts when an update or keepalive message is received. If the BGP process receives an error notification, it will transition to the Idle state.

## Cisco Implementation of BGP Global and Address Family Configuration Commands

The address family model for configuring BGP is based on splitting apart the configuration for each address family. All commands that are independent of the address family are grouped together at the beginning (highest level) of the configuration, and these are followed by separate submodes for commands specific to each address family (with the exception that commands relating to IPv4 unicast can also be entered at the beginning of the configuration). When a network operator configures BGP, the flow of BGP configuration categories is represented by the following bullets in order:

- Global configuration—Configuration that is applied to BGP in general, rather than to specific neighbors. For example, the **network**, **redistribute**, and **bgp bestpath** commands.
- Address family-dependent configuration—Configuration that applies to a specific address family such as policy on an individual neighbor.

The relationship between BGP global and BGP address family-dependent configuration categories is shown in the table below.

**Table 4: Relationships Between BGP Configuration Categories**

BGP Configuration Category	Configuration Sets Within Category
Global address family-independent	One set of global address family-independent configurations
Address family-dependent	One set of global address family-dependent configurations per address family



**Note** Address family configuration must be entered within the address family submode to which it applies.

The following is an example of BGP configuration statements showing the grouping of global address family-independent and address family-dependent commands.

```
router bgp <AS>
 ! AF independent part
 neighbor <ip-address> <command> ! Session config; AF independent
 address-family ipv4 unicast
 ! AF dependant part
 neighbor <ip-address> <command> ! Policy config; AF dependant
 exit-address-family
 address-family ipv4 multicast
 ! AF dependant part
 neighbor <ip-address> <command> ! Policy config; AF dependant
 exit-address-family
 address-family ipv4 unicast vrf <vrf-name>
 ! VRF specific AS independent commands
 ! VRF specific AS dependant commands
 neighbor <ip-address> <command> ! Session config; AF independent
```

```
neighbor <ip-address> <command> ! Policy config; AF dependant
exit-address-family
```

The following example shows actual BGP commands that match the BGP configuration statements in the previous example:

```
router bgp 45000
router-id 172.17.1.99
bgp log-neighbor-changes
neighbor 192.168.1.2 remote-as 40000
neighbor 192.168.3.2 remote-as 50000
address-family ipv4 unicast
neighbor 192.168.1.2 activate
network 172.17.1.0 mask 255.255.255.0
exit-address-family
address-family ipv4 multicast
neighbor 192.168.3.2 activate
neighbor 192.168.3.2 advertisement-interval 25
network 172.16.1.0 mask 255.255.255.0
exit-address-family
address-family ipv4 vrf vpn1
neighbor 192.168.3.2 activate
network 172.21.1.0 mask 255.255.255.0
exit-address-family
```

The **bgp upgrade-cli** command simplifies the migration of BGP networks and existing configurations from the network layer reachability information (NLRI) format to the address family format. Network operators can configure commands in the address family identifier (AFI) format and save these command configurations to existing NLRI formatted configurations. The BGP hybrid command-line interface (CLI) does not add support for complete AFI and NLRI integration because of the limitations of the NLRI format. For complete support of AFI commands and features, we recommend upgrading existing NLRI configurations with the **bgp upgrade-cli** command. For an example of migrating BGP configurations from the NLRI format to the address family format, see the “Example: NLFI to AFI Configuration” section later in this module.

## BGP Session Reset

Whenever the routing policy changes due to a configuration change, BGP peering sessions must be reset by using the **clear ip bgp** command. Cisco software supports the following three mechanisms to reset BGP peering sessions:

- **Hard reset**—A hard reset tears down the specified peering sessions including the TCP connection and deletes routes coming from the specified peer.
- **Soft reset**—A soft reset uses stored prefix information to reconfigure and activate BGP routing tables without tearing down existing peering sessions. Soft reconfiguration uses stored update information, at the cost of additional memory for storing the updates, to allow you to apply new BGP policy without disrupting the network. Soft reconfiguration can be configured for inbound or outbound sessions.
- **Dynamic inbound soft reset**—The route refresh capability, as defined in RFC 2918, allows the local device to reset inbound routing tables dynamically by exchanging route refresh requests to supporting peers. The route refresh capability does not store update information locally for nondisruptive policy changes. It instead relies on dynamic exchange with supporting peers. Route refresh must first be advertised through BGP capability negotiation between peers. All BGP devices must support the route refresh capability. To determine if a BGP device supports this capability, use the **show ip bgp neighbors** command. The following message is displayed in the output when the device supports the route refresh capability:



```
Received route refresh capability from peer.
```

The **bgp soft-reconfig-backup** command was introduced to configure BGP to perform inbound soft reconfiguration for peers that do not support the route refresh capability. The configuration of this command allows you to configure BGP to store updates (soft reconfiguration) only as necessary. Peers that support the route refresh capability are unaffected by the configuration of this command.

## BGP Route Aggregation

BGP peers store and exchange routing information and the amount of routing information increases as more BGP speakers are configured. The use of route aggregation reduces the amount of information involved. Aggregation is the process of combining the attributes of several different routes so that only a single route is advertised. Aggregate prefixes use the classless interdomain routing (CIDR) principle to combine contiguous networks into one classless set of IP addresses that can be summarized in routing tables. Fewer routes now need to be advertised.

Two methods are available in BGP to implement route aggregation. You can redistribute an aggregated route into BGP or you can use a form of conditional aggregation. Basic route redistribution involves creating an aggregate route and then redistributing the routes into BGP. Conditional aggregation involves creating an aggregate route and then advertising or suppressing the advertising of certain routes on the basis of route maps, autonomous system set path (AS-SET) information, or summary information.

The **bgp suppress-inactive** command configures BGP to not advertise inactive routes to any BGP peer. A BGP routing process can advertise routes that are not installed in the routing information database (RIB) to BGP peers by default. A route that is not installed into the RIB is an inactive route. Inactive route advertisement can occur, for example, when routes are advertised through common route aggregation. Inactive route advertisements can be suppressed to provide more consistent data forwarding.

## BGP Aggregation Route AS\_SET Information Generation

AS\_SET information can be generated when BGP routes are aggregated using the **aggregate-address** command. The path advertised for such a route is an AS\_SET consisting of all the elements, including the communities, contained in all the paths that are being summarized. If the AS\_PATHs to be aggregated are identical, only the AS\_PATH is advertised. The ATOMIC\_AGGREGATE attribute, set by default for the **aggregate-address** command, is not added to the AS\_SET.

## Routing Policy Change Management

Routing policies for a peer include all the configurations for elements such as route map, distribute list, prefix list, and filter list that may impact inbound or outbound routing table updates. The policy changes are automatically updated to peers whenever there is a change in the routing policy. Performing inbound reset enables the new inbound policy configured on the router to take effect. Performing outbound reset causes the new local outbound policy configured on the router to take effect without resetting the BGP session. As a new set of updates is sent during outbound policy reset, a new inbound policy of the neighbor can also take effect. This means that after changing inbound policy you must do an inbound reset on the local router or an outbound reset on the peer router. Outbound policy changes require an outbound reset on the local router or an inbound reset on the peer router.

There are two types of reset: hard reset and soft reset. The table below lists their advantages and disadvantages.

Table 5: Advantages and Disadvantages of Hard and Soft Resets

Type of Reset	Advantages	Disadvantages
Hard reset	No memory overhead.	The prefixes in the BGP, IP, and Forwarding Information Base (FIB) tables provided by the neighbor are lost. Not recommended.
Outbound soft reset	No configuration, no storing of routing table updates.	Does not reset inbound routing table updates.
Dynamic inbound soft reset	Does not clear the BGP session and cache.  Does not require storing of routing table updates, and has no memory overhead.	Both BGP routers must support the route refresh capability (in Cisco IOS Release 12.1 and later releases).  <b>Note</b> Does not reset outbound routing table updates.
Configured inbound soft reset (uses the <b>neighbor soft-reconfiguration</b> router configuration command)	Can be used when both BGP routers do not support the automatic route refresh capability.  In Cisco IOS Release 12.3(14)T, the <b>bgp soft-reconfig-backup</b> command was introduced to configure inbound soft reconfiguration for peers that do not support the route refresh capability.	Requires preconfiguration.  Stores all received (inbound) routing policy updates without modification; is memory-intensive.  Recommended only when absolutely necessary, such as when both BGP routers do not support the automatic route refresh capability.  <b>Note</b> Does not reset outbound routing table updates.

Once you have defined two routers to be BGP neighbors, they will form a BGP connection and exchange routing information. If you subsequently change a BGP filter, weight, distance, version, or timer, or make a similar configuration change, you must reset BGP connections for the configuration change to take effect.

A soft reset updates the routing table for inbound and outbound routing updates. Cisco IOS Release 12.1 and later releases support soft reset without any prior configuration. This soft reset allows the dynamic exchange of route refresh requests and routing information between BGP routers, and the subsequent readvertisement of the respective outbound routing table. There are two types of soft reset:

- When soft reset is used to generate inbound updates from a neighbor, it is called dynamic inbound soft reset.
- When soft reset is used to send a new set of updates to a neighbor, it is called outbound soft reset.

To use soft reset without preconfiguration, both BGP peers must support the soft route refresh capability, which is advertised in the OPEN message sent when the peers establish a TCP session. Routers running Cisco IOS releases prior to Release 12.1 do not support the route refresh capability and must clear the BGP session using the **neighbor soft-reconfiguration** router configuration command. Clearing the BGP session in this way will have a negative impact upon network operations and should be used only as a last resort.

## Conditional BGP Route Injection

Routes that are advertised through the BGP are commonly aggregated to minimize the number of routes that are used and reduce the size of global routing tables. However, common route aggregation can obscure more specific routing information that is more accurate but not necessary to forward packets to their destinations. Routing accuracy is obscured by common route aggregation because a prefix that represents multiple addresses or hosts over a large topological area cannot be accurately reflected in a single route. Cisco software provides several methods by which you can originate a prefix into BGP. Prior to the BGP conditional route injection feature, the existing methods included redistribution and using the **network** or **aggregate-address** command. However, these methods assume the existence of more specific routing information (matching the route to be originated) in either the routing table or the BGP table.

BGP conditional route injection allows you to originate a prefix into a BGP routing table without the corresponding match. This feature allows more specific routes to be generated based on administrative policy or traffic engineering information in order to provide more specific control over the forwarding of packets to these more specific routes, which are injected into the BGP routing table only if the configured conditions are met. Enabling this feature will allow you to improve the accuracy of common route aggregation by conditionally injecting or replacing less specific prefixes with more specific prefixes. Only prefixes that are equal to or more specific than the original prefix may be injected. BGP conditional route injection is enabled with the **bgp inject-map exist-map** command and uses two route maps (inject map and exist map) to install one (or more) more specific prefixes into a BGP routing table. The exist map specifies the prefixes that the BGP speaker will track. The inject map defines the prefixes that will be created and installed into the local BGP table.



---

**Note** Inject maps and exist maps will only match a single prefix per route map clause. To inject additional prefixes, you must configure additional route map clauses. If multiple prefixes are used, the first prefix matched will be used.

---

## BGP Peer Groups

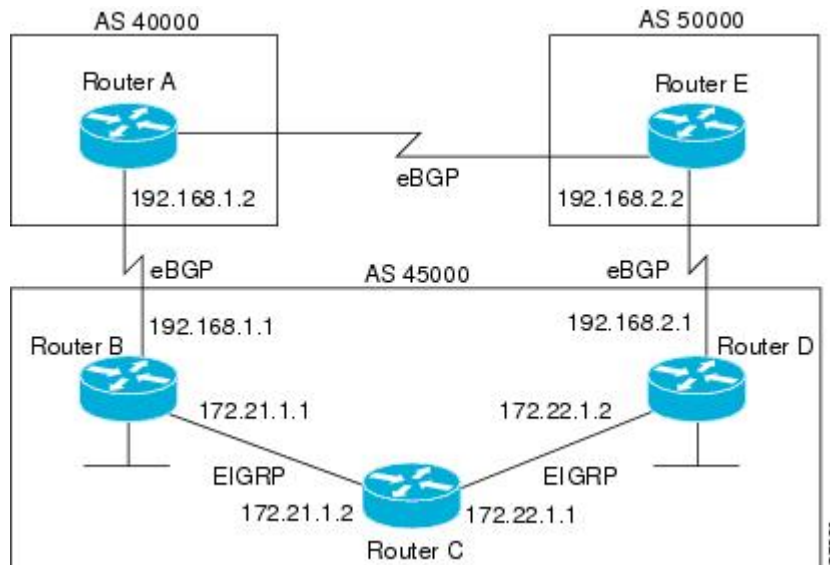
Often, in a BGP network, many neighbors are configured with the same update policies (that is, the same outbound route maps, distribute lists, filter lists, update source, and so on). Neighbors with the same update policies can be grouped into BGP peer groups to simplify configuration and, more importantly, to make configuration updates more efficient. When you have many peers, this approach is highly recommended.

## BGP Backdoor Routes

In a BGP network topology with two border devices using eBGP to communicate to a number of different autonomous systems, using eBGP to communicate between the two border devices may not be the most efficient routing method. In the figure below, Router B as a BGP speaker will receive a route to Router D through eBGP, but this route will traverse at least two autonomous systems. Router B and Router D are also connected through an Enhanced Interior Gateway Routing Protocol (EIGRP) network (any IGP can be used here), and this route has a shorter path. EIGRP routes, however, have a default administrative distance of 90, and eBGP routes have a default administrative distance of 20, so BGP will prefer the eBGP route. Changing the default administrative distances is not recommended because changing the administrative distance may lead to routing loops. To cause BGP to prefer the EIGRP route, you can use the **network backdoor** command. BGP treats the network specified by the **network backdoor** command as a locally assigned network, except

that it does not advertise the specified network in BGP updates. In the figure below, this means that Router B will communicate to Router D using the shorter EIGRP route instead of the longer eBGP route.

**Figure 2: BGP Backdoor Route Topology**



## Peer Groups and BGP Update Messages

In Cisco IOS software releases prior to Release 12.0(24)S, 12.2(18)S, or 12.3(4)T, BGP update messages were grouped based on peer group configurations. This method of grouping neighbors for BGP update message generation reduced the amount of system processing resources needed to scan the routing table. This method, however, had the following limitations:

- All neighbors that shared peer group configuration also had to share outbound routing policies.
- All neighbors had to belong to the same peer group and address family. Neighbors configured in different address families could not belong to different peer groups.

These limitations existed to balance optimal update generation and replication against peer group configuration. These limitations could cause the network operator to configure smaller peer groups, which reduced the efficiency of update message generation and limited the scalability of neighbor configuration.

## BGP Update Group

The introduction of the BGP (dynamic) update group provides a different type of BGP peer grouping from existing BGP peer groups. Existing peer groups are not affected but peers with the same outbound policy configured that are not members of a current peer group can be grouped into an update group. The members of this update group will use the same update generation engine. When BGP update groups are configured an algorithm dynamically calculates the BGP update group membership based on outbound policies. Optimal BGP update message generation occurs automatically and independently. BGP neighbor configuration is no longer restricted by outbound routing policies, and update groups can belong to different address families.

## BGP Dynamic Update Group Configuration

In Cisco IOS Release 12.0(24)S, 12.2(18)S, 12.3(4)T, 12.2(27)SBC, and later releases, a new algorithm was introduced that dynamically calculates and optimizes update groups of neighbors that share the same outbound policies and can share the same update messages. No configuration is required to enable the BGP dynamic update group and the algorithm runs automatically. When a change to outbound policy occurs, the router automatically recalculates update group memberships and applies the changes by triggering an outbound soft reset after a 1-minute timer expires. This behavior is designed to provide the network operator with time to change the configuration if a mistake is made. You can manually enable an outbound soft reset before the timer expires by entering the **clear ip bgp ip-address soft out** command.



---

**Note** In Cisco IOS Release 12.0(22)S, 12.2(14)S, 12.3(2)T, and prior releases, the update group recalculation delay timer is set to 3 minutes.

---

For the best optimization of BGP update group generation, we recommend that the network operator keeps outbound routing policy the same for neighbors that have similar outbound policies.

## BGP Peer Templates

To address some of the limitations of peer groups such as configuration management, BGP peer templates were introduced to support the BGP update group configuration.

A peer template is a configuration pattern that can be applied to neighbors that share policies. Peer templates are reusable and support inheritance, which allows the network operator to group and apply distinct neighbor configurations for BGP neighbors that share policies. Peer templates also allow the network operator to define very complex configuration patterns through the capability of a peer template to inherit a configuration from another peer template.

There are two types of peer templates:

- Peer session templates are used to group and apply the configuration of general session commands that are common to all address family and NLRI configuration modes.
- Peer policy templates are used to group and apply the configuration of commands that are applied within specific address families and NLRI configuration modes.

Peer templates improve the flexibility and enhance the capability of neighbor configuration. Peer templates also provide an alternative to peer group configuration and overcome some limitations of peer groups. BGP peer routers using peer templates also benefit from automatic update group configuration. With the configuration of the BGP peer templates and the support of the BGP dynamic update peer groups, the network operator no longer needs to configure peer groups in BGP and the network can benefit from improved configuration flexibility and faster convergence.



---

**Note** A BGP neighbor cannot be configured to work with both peer groups and peer templates. A BGP neighbor can be configured to belong only to a peer group or to inherit policies from peer templates.

---

The following restrictions apply to the peer policy templates:

- A peer policy template can directly or indirectly inherit up to eight peer policy templates.

- A BGP neighbor cannot be configured to work with both peer groups and peer templates. A BGP neighbor can be configured to belong only to a peer group or to inherit policies only from peer templates.

## Inheritance in Peer Templates

The inheritance capability is a key component of peer template operation. Inheritance in a peer template is similar to node and tree structures commonly found in general computing, for example, file and directory trees. A peer template can directly or indirectly inherit the configuration from another peer template. The directly inherited peer template represents the tree in the structure. The indirectly inherited peer template represents a node in the tree. Because each node also supports inheritance, branches can be created that apply the configurations of all indirectly inherited peer templates within a chain back to the directly inherited peer template or the source of the tree.

This structure eliminates the need to repeat configuration statements that are commonly reapplied to groups of neighbors because common configuration statements can be applied once and then indirectly inherited by peer templates that are applied to neighbor groups with common configurations. Configuration statements that are duplicated separately within a node and a tree are filtered out at the source of the tree by the directly inherited template. A directly inherited template will overwrite any indirectly inherited statements that are duplicated in the directly inherited template.

Inheritance expands the scalability and flexibility of neighbor configuration by allowing you to chain together peer templates configurations to create simple configurations that inherit common configuration statements or complex configurations that apply very specific configuration statements along with common inherited configurations. Specific details about configuring inheritance in peer session templates and peer policy templates are provided in the following sections.

When BGP neighbors use inherited peer templates it can be difficult to determine which policies are associated with a specific template. The **detail** keyword was added to the **show ip bgp template peer-policy** command to display the detailed configuration of local and inherited policies associated with a specific template.

## Peer Session Templates

Peer session templates are used to group and apply the configuration of general session commands to groups of neighbors that share session configuration elements. General session commands that are common for neighbors that are configured in different address families can be configured within the same peer session template. Peer session templates are created and configured in peer session configuration mode. Only general session commands can be configured in a peer session template. The following general session commands are supported by peer session templates:

- **description**
- **disable-connected-check**
- **ebgp-multihop**
- **exit peer-session**
- **inherit peer-session**
- **local-as**
- **password**
- **remote-as**

- **shutdown**
- **timers**
- **translate-update**
- **update-source**
- **version**

General session commands can be configured once in a peer session template and then applied to many neighbors through the direct application of a peer session template or through indirect inheritance from a peer session template. The configuration of peer session templates simplifies the configuration of general session commands that are commonly applied to all neighbors within an autonomous system.

Peer session templates support direct and indirect inheritance. A peer can be configured with only one peer session template at a time, and that peer session template can contain only one indirectly inherited peer session template.



---

**Note** If you attempt to configure more than one inherit statement with a single peer session template, an error message will be displayed.

---

This behavior allows a BGP neighbor to directly inherit only one session template and indirectly inherit up to seven additional peer session templates. This allows you to apply up to a maximum of eight peer session configurations to a neighbor: the configuration from the directly inherited peer session template and the configurations from up to seven indirectly inherited peer session templates. Inherited peer session configurations are evaluated first and applied starting with the last node in the branch and ending with the directly applied peer session template configuration at the source of the tree. The directly applied peer session template will have priority over inherited peer session template configurations. Any configuration statements that are duplicated in inherited peer session templates will be overwritten by the directly applied peer session template. So, if a general session command is reapplied with a different value, the subsequent value will have priority and overwrite the previous value that was configured in the indirectly inherited template. The following examples illustrate the use of this feature.

In the following example, the general session command **remote-as 1** is applied in the peer session template named SESSION-TEMPLATE-ONE:

```
template peer-session SESSION-TEMPLATE-ONE
  remote-as 1
  exit peer-session
```

Peer session templates support only general session commands. BGP policy configuration commands that are configured only for a specific address family or NLRI configuration mode are configured with peer policy templates.

## BGP Peer Templates

To address some of the limitations of peer groups such as configuration management, BGP peer templates were introduced to support the BGP update group configuration.

A peer template is a configuration pattern that can be applied to neighbors that share policies. Peer templates are reusable and support inheritance, which allows the network operator to group and apply distinct neighbor configurations for BGP neighbors that share policies. Peer templates also allow the network operator to define

very complex configuration patterns through the capability of a peer template to inherit a configuration from another peer template.

There are two types of peer templates:

- Peer session templates are used to group and apply the configuration of general session commands that are common to all address family and NLRI configuration modes.
- Peer policy templates are used to group and apply the configuration of commands that are applied within specific address families and NLRI configuration modes.

Peer templates improve the flexibility and enhance the capability of neighbor configuration. Peer templates also provide an alternative to peer group configuration and overcome some limitations of peer groups. BGP peer routers using peer templates also benefit from automatic update group configuration. With the configuration of the BGP peer templates and the support of the BGP dynamic update peer groups, the network operator no longer needs to configure peer groups in BGP and the network can benefit from improved configuration flexibility and faster convergence.




---

**Note** A BGP neighbor cannot be configured to work with both peer groups and peer templates. A BGP neighbor can be configured to belong only to a peer group or to inherit policies from peer templates.

---

The following restrictions apply to the peer policy templates:

- A peer policy template can directly or indirectly inherit up to eight peer policy templates.
- A BGP neighbor cannot be configured to work with both peer groups and peer templates. A BGP neighbor can be configured to belong only to a peer group or to inherit policies only from peer templates.

## BGP IPv6 Neighbor Activation Under the IPv4 Address Family

Prior to Cisco IOS Release 12.2(33)SRE4, by default, both IPv6 and IPv4 capability is exchanged with a BGP peer that has an IPv6 address. When an IPv6 peer is configured, that neighbor is automatically activated under the IPv4 unicast address family.

Beginning with Cisco IOS Release 12.2(33)SRE4, when a *new* IPv6 neighbor is being configured, it is no longer automatically activated under the IPv4 address family. You can manually activate the IPv6 neighbor under the IPv4 address family if, for example, you have a dual stack environment and want to send IPv6 and IPv4 prefixes.

If you do not want an *existing* IPv6 peer to be activated under the IPv4 address family, you can manually deactivate the peer with the **no neighbor activate** command. Until then, existing configurations that activate an IPv6 neighbor under the IPv4 unicast address family will continue to try to establish a session.

## How to Configure a Basic BGP Network

Configuring a basic BGP network consists of a few required tasks and many optional tasks. A BGP routing process must be configured and BGP peers must be configured, preferably using the address family configuration model. If the BGP peers are part of a VPN network, the BGP peers must be configured using the IPv4 VRF address family task. The other tasks in the following list are optional:



## Configuring a BGP Routing Process

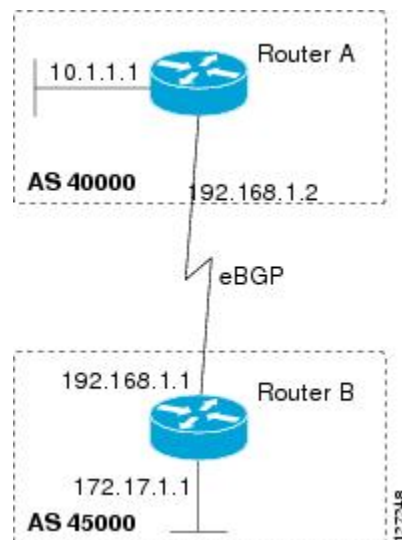
Perform this task to configure a BGP routing process. You must perform the required steps at least once to enable BGP. The optional steps here allow you to configure additional features in your BGP network. Several of the features, such as logging neighbor resets and immediate reset of a peer when its link goes down, are enabled by default but are presented here to enhance your understanding of how your BGP network operates.



**Note** A device that runs Cisco software can be configured to run only one BGP routing process and to be a member of only one BGP autonomous system. However, a BGP routing process and autonomous system can support multiple concurrent BGP address family and subaddress family configurations.

The configuration in this task is done at Router A in the figure below and would need to be repeated with appropriate changes to the IP addresses (for example, at Router B) to fully achieve a BGP process between the two devices. No address family is configured here for the BGP routing process, so routing information for the IPv4 unicast address family is advertised by default.

**Figure 3: BGP Topology with Two Autonomous Systems**



### SUMMARY STEPS

1. **enable**
2. **configure terminal**
3. **router bgp** *autonomous-system-number*
4. **network** *network-number* [**mask** *network-mask*] [**route-map** *route-map-name*]
5. **bgp router-id** *ip-address*
6. **timers bgp** *keepalive holdtime*
7. **bgp fast-external-fallover**
8. **bgp log-neighbor-changes**
9. **end**
10. **show ip bgp** [*network*] [*network-mask*]

## DETAILED STEPS

	Command or Action	Purpose
Step 1	<b>enable</b> <b>Example:</b> <pre>Device&gt; enable</pre>	Enables privileged EXEC mode. <ul style="list-style-type: none"> <li>• Enter your password if prompted.</li> </ul>
Step 2	<b>configure terminal</b> <b>Example:</b> <pre>Device# configure terminal</pre>	Enters global configuration mode.
Step 3	<b>router bgp</b> <i>autonomous-system-number</i> <b>Example:</b> <pre>Device(config)# router bgp 40000</pre>	Configures a BGP routing process, and enters router configuration mode for the specified routing process. <ul style="list-style-type: none"> <li>• Use the <i>autonomous-system-number</i> argument to specify an integer, from 0 and 65534, that identifies the device to other BGP speakers.</li> </ul>
Step 4	<b>network</b> <i>network-number</i> [ <b>mask</b> <i>network-mask</i> ] [ <b>route-map</b> <i>route-map-name</i> ] <b>Example:</b> <pre>Device(config-router)# network 10.1.1.0 mask 255.255.255.0</pre>	(Optional) Specifies a network as local to this autonomous system and adds it to the BGP routing table. <ul style="list-style-type: none"> <li>• For exterior protocols, the <b>network</b> command controls which networks are advertised. Interior protocols use the <b>network</b> command to determine where to send updates.</li> </ul>
Step 5	<b>bgp router-id</b> <i>ip-address</i> <b>Example:</b> <pre>Device(config-router)# bgp router-id 10.1.1.99</pre>	(Optional) Configures a fixed 32-bit router ID as the identifier of the local device running BGP. <ul style="list-style-type: none"> <li>• Use the <i>ip-address</i> argument to specify a unique router ID within the network.</li> </ul> <p><b>Note</b> Configuring a router ID using the <b>bgp router-id</b> command resets all active BGP peering sessions.</p>
Step 6	<b>timers bgp</b> <i>keepalive holdtime</i> <b>Example:</b> <pre>Device(config-router)# timers bgp 70 120</pre>	(Optional) Sets BGP network timers. <ul style="list-style-type: none"> <li>• Use the <i>keepalive</i> argument to specify the frequency, in seconds, with which the software sends keepalive messages to its BGP peer. By default, the keepalive timer is set to 60 seconds.</li> <li>• Use the <i>holdtime</i> argument to specify the interval, in seconds, after which the software, having not received a keepalive message, declares a BGP peer dead. By default, the holdtime timer is set to 180 seconds.</li> </ul>
Step 7	<b>bgp fast-external-fallover</b> <b>Example:</b>	(Optional) Enables the automatic resetting of BGP sessions.

	Command or Action	Purpose
	Device(config-router)# bgp fast-external-fallover	<ul style="list-style-type: none"> <li>By default, the BGP sessions of any directly adjacent external peers are reset if the link used to reach them goes down.</li> </ul>
<b>Step 8</b>	<b>bgp log-neighbor-changes</b> <b>Example:</b> Device(config-router)# bgp log-neighbor-changes	(Optional) Enables logging of BGP neighbor status changes (up or down) and neighbor resets. <ul style="list-style-type: none"> <li>Use this command for troubleshooting network connectivity problems and measuring network stability. Unexpected neighbor resets might indicate high error rates or high packet loss in the network and should be investigated.</li> </ul>
<b>Step 9</b>	<b>end</b> <b>Example:</b> Device(config-router)# end	Exits router configuration mode and enters privileged EXEC mode.
<b>Step 10</b>	<b>show ip bgp [network] [network-mask]</b> <b>Example:</b> Device# show ip bgp	(Optional) Displays the entries in the BGP routing table. <b>Note</b> Only the syntax applicable to this task is used in this example. For more details, see the <i>Cisco IOS IP Routing: BGP Command Reference</i> .

### Examples

The following sample output from the **show ip bgp** command shows the BGP routing table for Router A in the figure above after this task has been configured on Router A. You can see an entry for the network 10.1.1.0 that is local to this autonomous system.

```

BGP table version is 12, local router ID is 10.1.1.99
Status codes: s suppressed, d damped, h history, * valid, > best, i - internal,
               r RIB-failure, S Stale
Origin codes: i - IGP, e - EGP, ? - incomplete
   Network        Next Hop           Metric LocPrf Weight Path
*> 10.1.1.0/24    0.0.0.0             0         32768 i

```

## Troubleshooting Tips

Use the **ping** command to check basic network connectivity between the BGP routers.

## Configuring a BGP Peer

Perform this task to configure BGP between two IPv4 routers (peers). The address family configured here is the default IPv4 unicast address family and the configuration is done at Router A in the figure above. Remember to perform this task for any neighbor routers that are to be BGP peers.

**Before you begin**

Before you perform this task, perform the “Configuring a BGP Routing Process” task shown in the prior section.



**Note** By default, neighbors that are defined using the **neighbor remote-as** command in router configuration mode exchange only IPv4 unicast address prefixes. To exchange other address prefix types, such as IPv6 prefixes, neighbors must also be activated using the **neighbor activate** command in address family configuration mode for the other prefix types, such as IPv6 prefixes.

**SUMMARY STEPS**

1. **enable**
2. **configure terminal**
3. **router bgp** *autonomous-system-number*
4. **neighbor** *ip-address* **remote-as** *autonomous-system-number*
5. **address-family ipv4** [**unicast** | **multicast** | **vrf** *vrf-name*]
6. **neighbor** *ip-address* **activate**
7. **end**
8. **show ip bgp** [*network*] [*network-mask*]
9. **show ip bgp neighbors** [*neighbor-address*]

**DETAILED STEPS**

	<b>Command or Action</b>	<b>Purpose</b>
<b>Step 1</b>	<b>enable</b> <b>Example:</b> <pre>Router&gt; enable</pre>	Enables privileged EXEC mode. <ul style="list-style-type: none"> <li>• Enter your password if prompted.</li> </ul>
<b>Step 2</b>	<b>configure terminal</b> <b>Example:</b> <pre>Router# configure terminal</pre>	Enters global configuration mode.
<b>Step 3</b>	<b>router bgp</b> <i>autonomous-system-number</i> <b>Example:</b> <pre>Router(config)# router bgp 40000</pre>	Enters router configuration mode for the specified routing process.
<b>Step 4</b>	<b>neighbor</b> <i>ip-address</i> <b>remote-as</b> <i>autonomous-system-number</i> <b>Example:</b> <pre>Router(config-router)# neighbor 192.168.1.1 remote-as 45000</pre>	Adds the IP address of the neighbor in the specified autonomous system to the IPv4 multiprotocol BGP neighbor table of the local router.

	Command or Action	Purpose
Step 5	<b>address-family ipv4</b> [ <b>unicast</b>   <b>multicast</b>   <b>vrf</b> <i>vrf-name</i> ] <b>Example:</b> <pre>Router(config-router)# address-family ipv4 unicast</pre>	Specifies the IPv4 address family and enters address family configuration mode. <ul style="list-style-type: none"> <li>• The <b>unicast</b> keyword specifies the IPv4 unicast address family. By default, the router is placed in configuration mode for the IPv4 unicast address family if the <b>unicast</b> keyword is not specified with the <b>address-family ipv4</b> command.</li> <li>• The <b>multicast</b> keyword specifies IPv4 multicast address prefixes.</li> <li>• The <b>vrf</b> keyword and <i>vrf-name</i> argument specify the name of the virtual routing and forwarding (VRF) instance to associate with subsequent IPv4 address family configuration mode commands.</li> </ul>
Step 6	<b>neighbor ip-address activate</b> <b>Example:</b> <pre>Router(config-router-af)# neighbor 192.168.1.1 activate</pre>	Enables the neighbor to exchange prefixes for the IPv4 unicast address family with the local router.
Step 7	<b>end</b> <b>Example:</b> <pre>Router(config-router-af)# end</pre>	Exits address family configuration mode and enters privileged EXEC mode.
Step 8	<b>show ip bgp</b> [ <i>network</i> ] [ <i>network-mask</i> ] <b>Example:</b> <pre>Router# show ip bgp</pre>	(Optional) Displays the entries in the BGP routing table. <b>Note</b> Only the syntax applicable to this task is used in this example. For more details, see the <i>Cisco IOS IP Routing: BGP Command Reference</i> .
Step 9	<b>show ip bgp neighbors</b> [ <i>neighbor-address</i> ] <b>Example:</b> <pre>Router(config-router-af)# show ip bgp neighbors 192.168.2.2</pre>	(Optional) Displays information about the TCP and BGP connections to neighbors. <b>Note</b> Only the syntax applicable to this task is used in this example. For more details, see the <i>Cisco IOS IP Routing: BGP Command Reference</i> .

### Examples

The following sample output from the **show ip bgp** command shows the BGP routing table for Router A in the figure above after this task has been configured on Router A and Router B. You can now see an entry for the network 172.17.1.0 in autonomous system 45000.

```
BGP table version is 13, local router ID is 10.1.1.99
Status codes: s suppressed, d damped, h history, * valid, > best, i - internal,
```

```

      r RIB-failure, S Stale
Origin codes: i - IGP, e - EGP, ? - incomplete
  Network      Next Hop      Metric LocPrf Weight Path
*> 10.1.1.0/24  0.0.0.0          0         32768 i
*> 172.17.1.0/24 192.168.1.1      0         0 45000 i

```

The following sample output from the **show ip bgp neighbors** command shows information about the TCP and BGP connections to the BGP neighbor 192.168.1.1 of Router A in the figure above after this task has been configured on Router A:

```

BGP neighbor is 192.168.1.1, remote AS 45000, external link
BGP version 4, remote router ID 172.17.1.99
BGP state = Established, up for 00:06:55
Last read 00:00:15, last write 00:00:15, hold time is 120, keepalive intervals
Configured hold time is 120,keepalive interval is 70 seconds, Minimum holdtimes
Neighbor capabilities:
  Route refresh: advertised and received (old & new)
  Address family IPv4 Unicast: advertised and received
Message statistics:
  InQ depth is 0
  OutQ depth is 0

      Sent      Rcvd
Opens:          1          1
Notifications: 0          0
Updates:        1          2
Keepalives:     13         13
Route Refresh:  0          0
Total:          15         16

Default minimum time between advertisement runs is 30 seconds
For address family: IPv4 Unicast
BGP table version 13, neighbor version 13/0
Output queue size : 0
Index 1, Offset 0, Mask 0x2
1 update-group member

      Sent      Rcvd
Prefix activity:  ----  ----
Prefixes Current:      1          1 (Consumes 52 bytes)
Prefixes Total:        1          1
Implicit Withdraw:     0          0
Explicit Withdraw:    0          0
Used as bestpath:     n/a         1
Used as multipath:    n/a         0

      Outbound  Inbound
Local Policy Denied Prefixes:  -----  -----
AS_PATH loop:                  n/a         1
Bestpath from this peer:        1          n/a
Total:                           1          1
Number of NLRI in the update sent: max 0, min 0
Connections established 1; dropped 0
Last reset never
Connection state is ESTAB, I/O status: 1, unread input bytes: 0
Connection is ECN Disabled
Local host: 192.168.1.2, Local port: 179
Foreign host: 192.168.1.1, Foreign port: 37725
Enqueued packets for retransmit: 0, input: 0 mis-ordered: 0 (0 bytes)
Event Timers (current time is 0x12F4F2C):
Timer      Starts  Wakeups      Next
Retrans    14      0           0x0
TimeWait   0        0           0x0
AckHold    13      8           0x0
SendWnd    0        0           0x0
KeepAlive  0        0           0x0
GiveUp     0        0           0x0

```

```

PmtuAger          0          0          0x0
DeadWait          0          0          0x0
iss: 165379618  snduna: 165379963  sndnxt: 165379963  sndwnd: 16040
irs: 3127821601  rcvnxt: 3127821993  rcvwnd: 15993  delrcvwnd: 391
SRTT: 254 ms, RTTO: 619 ms, RTV: 365 ms, KRTT: 0 ms
minRTT: 12 ms, maxRTT: 300 ms, ACK hold: 200 ms
Flags: passive open, nagle, gen tcbs
IP Precedence value : 6
Datagrams (max data segment is 1460 bytes):
Rcvd: 20 (out of order: 0), with data: 15, total data bytes: 391
Sent: 22 (retransmit: 0, fastretransmit: 0, partialack: 0, Second Congestion: 04

```

## Troubleshooting Tips

Use the **ping** command to verify basic network connectivity between the BGP routers.

## Configuring a BGP Routing Process and Peers Using 4-Byte Autonomous System Numbers

Perform this task to configure a Border Gateway Protocol (BGP) routing process and BGP peers when the BGP peers are located in an autonomous system (AS) that uses 4-byte AS numbers. The address family configured here is the default IPv4 unicast address family, and the configuration is done at Router B in the figure above (in the “Cisco Implementation of 4-Byte Autonomous System Numbers” section). The 4-byte AS numbers in this task are formatted in the default asplain (decimal value) format; for example, Router B is in AS number 65538 in the figure above. Remember to perform this task for any neighbor routers that are to be BGP peers.

### Before you begin



**Note** By default, neighbors that are defined using the **neighbor remote-as** command in router configuration mode exchange only IPv4 unicast address prefixes. To exchange other address prefix types, such as IPv6 prefixes, neighbors must also be activated using the **neighbor activate** command in address family configuration mode for the other prefix types.

### SUMMARY STEPS

1. **enable**
2. **configure terminal**
3. **router bgp** *autonomous-system-number*
4. **neighbor** *ip-address* **remote-as** *autonomous-system-number*
5. Repeat Step 4 to define other BGP neighbors, as required.
6. **address-family ipv4** [**unicast** | **multicast** | **vrf** *vrf-name*]
7. **neighbor** *ip-address* **activate**
8. Repeat Step 7 to activate other BGP neighbors, as required.
9. **network** *network-number* [**mask** *network-mask*] [**route-map** *route-map-name*]
10. **end**
11. **show ip bgp** [*network*] [*network-mask*]
12. **show ip bgp summary**

## DETAILED STEPS

	Command or Action	Purpose
<b>Step 1</b>	<b>enable</b> <b>Example:</b>  Device> enable	Enables privileged EXEC mode.  • Enter your password if prompted.
<b>Step 2</b>	<b>configure terminal</b> <b>Example:</b>  Device# configure terminal	Enters global configuration mode.
<b>Step 3</b>	<b>router bgp</b> <i>autonomous-system-number</i> <b>Example:</b>  Device(config)# router bgp 65538	Enters router configuration mode for the specified routing process.  • In this example, the 4-byte AS number, 65538, is defined in asplain notation.
<b>Step 4</b>	<b>neighbor</b> <i>ip-address</i> <b>remote-as</b> <i>autonomous-system-number</i> <b>Example:</b>  Device(config-router)# neighbor 192.168.1.2 remote-as 65536	Adds the IP address of the neighbor in the specified AS to the IPv4 multiprotocol BGP neighbor table of the local device.  • In this example, the 4-byte AS number, 65536, is defined in asplain notation.
<b>Step 5</b>	Repeat Step 4 to define other BGP neighbors, as required.	--
<b>Step 6</b>	<b>address-family ipv4</b> [ <b>unicast</b>   <b>multicast</b>   <b>vrf</b> <i>vrf-name</i> ] <b>Example:</b>  Device(config-router)# address-family ipv4 unicast	Specifies the IPv4 address family and enters address family configuration mode.  • The <b>unicast</b> keyword specifies the IPv4 unicast address family. By default, the device is placed in configuration mode for the IPv4 unicast address family if the <b>unicast</b> keyword is not specified with the <b>address-family ipv4</b> command.  • The <b>multicast</b> keyword specifies IPv4 multicast address prefixes.  • The <b>vrf</b> keyword and <i>vrf-name</i> argument specify the name of the virtual routing and forwarding (VRF) instance to associate with subsequent IPv4 address family configuration mode commands.
<b>Step 7</b>	<b>neighbor</b> <i>ip-address</i> <b>activate</b> <b>Example:</b>  Device(config-router-af)# neighbor 192.168.1.2 activate	Enables the neighbor to exchange prefixes for the IPv4 unicast address family with the local device.
<b>Step 8</b>	Repeat Step 7 to activate other BGP neighbors, as required.	--



	Command or Action	Purpose
Step 9	<p><b>network</b> <i>network-number</i> [<b>mask</b> <i>network-mask</i>] [<b>route-map</b> <i>route-map-name</i>]</p> <p><b>Example:</b></p> <pre>Device(config-router-af)# network 172.17.1.0 mask 255.255.255.0</pre>	<p>(Optional) Specifies a network as local to this AS and adds it to the BGP routing table.</p> <ul style="list-style-type: none"> <li>For exterior protocols the <b>network</b> command controls which networks are advertised. Interior protocols use the <b>network</b> command to determine where to send updates.</li> </ul>
Step 10	<p><b>end</b></p> <p><b>Example:</b></p> <pre>Device(config-router-af)# end</pre>	Exits address family configuration mode and returns to privileged EXEC mode.
Step 11	<p><b>show ip bgp</b> [<i>network</i>] [<i>network-mask</i>]</p> <p><b>Example:</b></p> <pre>Device# show ip bgp 10.1.1.0</pre>	<p>(Optional) Displays the entries in the BGP routing table.</p> <p><b>Note</b> Only the syntax applicable to this task is used in this example. For more details, see the <i>Cisco IOS IP Routing: BGP Command Reference</i>.</p>
Step 12	<p><b>show ip bgp summary</b></p> <p><b>Example:</b></p> <pre>Device# show ip bgp summary</pre>	(Optional) Displays the status of all BGP connections.

### Examples

The following output from the **show ip bgp** command at Router B shows the BGP routing table entry for network 10.1.1.0 learned from the BGP neighbor at 192.168.1.2 in Router A in the figure above with its 4-byte AS number of 65536 displayed in the default asplain format.

```
RouterB# show ip bgp 10.1.1.0

BGP routing table entry for 10.1.1.0/24, version 2
Paths: (1 available, best #1)
  Advertised to update-groups:
    2
  65536
    192.168.1.2 from 192.168.1.2 (10.1.1.99)
      Origin IGP, metric 0, localpref 100, valid, external, best
```

The following output from the **show ip bgp summary** command shows the 4-byte AS number 65536 for the BGP neighbor 192.168.1.2 of Router A in the figure above after this task has been configured on Router B:

```
RouterB# show ip bgp summary

BGP router identifier 172.17.1.99, local AS number 65538
BGP table version is 3, main routing table version 3
2 network entries using 234 bytes of memory
2 path entries using 104 bytes of memory
3/2 BGP path/bestpath attribute entries using 444 bytes of memory
```

```

1 BGP AS-PATH entries using 24 bytes of memory
0 BGP route-map cache entries using 0 bytes of memory
0 BGP filter-list cache entries using 0 bytes of memory
BGP using 806 total bytes of memory
BGP activity 2/0 prefixes, 2/0 paths, scan interval 60 secs
Neighbor      V      AS MsgRcvd MsgSent  TblVer  InQ  OutQ  Up/Down  Stated
192.168.1.2   4      65536    6      6       3    0    0 00:01:33    1

```

## Troubleshooting Tips

Use the **ping** command to verify basic network connectivity between the BGP routers.

## Modifying the Default Output and Regular Expression Match Format for 4-Byte Autonomous System Numbers

Perform this task to modify the default output format for 4-byte autonomous system (AS) numbers from asplain format to asdot notation format. The **show ip bgp summary** command is used to display the changes in output format for the 4-byte AS numbers.

### SUMMARY STEPS

1. **enable**
2. **show ip bgp summary**
3. **configure terminal**
4. **router bgp** *autonomous-system-number*
5. **bgp asnotation dot**
6. **end**
7. **clear ip bgp \***
8. **show ip bgp summary**
9. **show ip bgp regexp** *regexp*
10. **configure terminal**
11. **router bgp** *autonomous-system-number*
12. **no bgp asnotation dot**
13. **end**
14. **clear ip bgp \***

### DETAILED STEPS

	Command or Action	Purpose
<b>Step 1</b>	<b>enable</b> <b>Example:</b> Device> enable	Enables privileged EXEC mode. <ul style="list-style-type: none"> <li>• Enter your password if prompted.</li> </ul>
<b>Step 2</b>	<b>show ip bgp summary</b> <b>Example:</b> Device# show ip bgp summary	Displays the status of all Border Gateway Protocol (BGP) connections.

	Command or Action	Purpose
Step 3	<b>configure terminal</b> <b>Example:</b> <pre>Device# configure terminal</pre>	Enters global configuration mode.
Step 4	<b>router bgp <i>autonomous-system-number</i></b> <b>Example:</b> <pre>Device(config)# router bgp 65538</pre>	Enters router configuration mode for the specified routing process. <ul style="list-style-type: none"> <li>In this example, the 4-byte AS number, 65538, is defined in asplain notation.</li> </ul>
Step 5	<b>bgp asnotation dot</b> <b>Example:</b> <pre>Device(config-router)# bgp asnotation dot</pre>	Changes the default output format of BGP 4-byte AS numbers from asplain (decimal values) to dot notation. <p><b>Note</b> 4-byte AS numbers can be configured using either asplain format or asdot format. This command affects only the output displayed for <b>show</b> commands or the matching of regular expressions.</p>
Step 6	<b>end</b> <b>Example:</b> <pre>Device(config-router)# end</pre>	Exits address family configuration mode and returns to privileged EXEC mode.
Step 7	<b>clear ip bgp *</b> <b>Example:</b> <pre>Device# clear ip bgp *</pre>	Clears and resets all current BGP sessions. <ul style="list-style-type: none"> <li>In this example, a hard reset is performed to ensure that the 4-byte AS number format change is reflected in all BGP sessions.</li> </ul> <p><b>Note</b> Only the syntax applicable to this task is used in this example. For more details, see the <i>Cisco IOS IP Routing: BGP Command Reference</i>.</p>
Step 8	<b>show ip bgp summary</b> <b>Example:</b> <pre>Device# show ip bgp summary</pre>	Displays the status of all BGP connections.
Step 9	<b>show ip bgp regexp <i>regexp</i></b> <b>Example:</b> <pre>Device# show ip bgp regexp ^1\.0\$</pre>	Displays routes that match the AS path regular expression. <ul style="list-style-type: none"> <li>In this example, a regular expression to match a 4-byte AS path is configured using asdot format.</li> </ul>
Step 10	<b>configure terminal</b> <b>Example:</b> <pre>Device# configure terminal</pre>	Enters global configuration mode.

	Command or Action	Purpose
<b>Step 11</b>	<b>router bgp</b> <i>autonomous-system-number</i> <b>Example:</b> Device(config)# router bgp 65538	Enters router configuration mode for the specified routing process. <ul style="list-style-type: none"> <li>In this example, the 4-byte AS number, 65538, is defined in asplain notation.</li> </ul>
<b>Step 12</b>	<b>no bgp asnotation dot</b> <b>Example:</b> Device(config-router)# no bgp asnotation dot	Resets the default output format of BGP 4-byte AS numbers back to asplain (decimal values). <b>Note</b> 4-byte AS numbers can be configured using either asplain format or asdot format. This command affects only the output displayed for <b>show</b> commands or the matching of regular expressions.
<b>Step 13</b>	<b>end</b> <b>Example:</b> Device(config-router)# end	Exits router configuration mode and returns to privileged EXEC mode.
<b>Step 14</b>	<b>clear ip bgp *</b> <b>Example:</b> Device# clear ip bgp *	Clears and resets all current BGP sessions. <ul style="list-style-type: none"> <li>In this example, a hard reset is performed to ensure that the 4-byte AS number format change is reflected in all BGP sessions.</li> </ul> <b>Note</b> Only the syntax applicable to this task is used in this example. For more details, see the <i>Cisco IOS IP Routing: BGP Command Reference</i> .

## Examples

The following output from the **show ip bgp summary** command shows the default asplain format of the 4-byte AS numbers. Note the asplain format of the 4-byte AS numbers, 65536 and 65550.

```
Router# show ip bgp summary

BGP router identifier 172.17.1.99, local AS number 65538
BGP table version is 1, main routing table version 1
Neighbor      V      AS MsgRcvd MsgSent  TblVer  InQ  OutQ  Up/Down  Statd
192.168.1.2   4      65536    7      7        1    0    0 00:03:04    0
192.168.3.2   4      65550    4      4        1    0    0 00:00:15    0
```

After the **bgp asnotation dot** command is configured (followed by the **clear ip bgp \*** command to perform a hard reset of all current BGP sessions), the output is converted to asdot notation format as shown in the following output from the **show ip bgp summary** command. Note the asdot format of the 4-byte AS numbers, 1.0 and 1.14 (these are the asdot conversions of the 65536 and 65550 AS numbers).

```
Router# show ip bgp summary
```

```

BGP router identifier 172.17.1.99, local AS number 1.2
BGP table version is 1, main routing table version 1
Neighbor      V      AS MsgRcvd  MsgSent  TblVer  InQ  OutQ  Up/Down  Statd
192.168.1.2   4        1.0      9        9        1     0     0 00:04:13    0
192.168.3.2   4        1.14     6        6        1     0     0 00:01:24    0

```

After the **bgp asnotation dot** command is configured (followed by the **clear ip bgp \*** command to perform a hard reset of all current BGP sessions), the regular expression match format for 4-byte AS paths is changed to asdot notation format. Although a 4-byte AS number can be configured in a regular expression using either asplain format or asdot format, only 4-byte AS numbers configured using the current default format are matched. In the first example below, the **show ip bgp regexp** command is configured with a 4-byte AS number in asplain format. The match fails because the default format is currently asdot format and there is no output. In the second example using asdot format, the match passes and the information about the 4-byte AS path is shown using the asdot notation.



**Note** The asdot notation uses a period, which is a special character in Cisco regular expressions. To remove the special meaning, use a backslash before the period.

```

Router# show ip bgp regexp ^65536$

Router# show ip bgp regexp ^1\.0$

BGP table version is 2, local router ID is 172.17.1.99
Status codes: s suppressed, d damped, h history, * valid, > best, i - internal,
               r RIB-failure, S Stale
Origin codes: i - IGP, e - EGP, ? - incomplete
   Network        Next Hop           Metric LocPrf Weight Path
*> 10.1.1.0/24    192.168.1.2         0             0 1.0 i

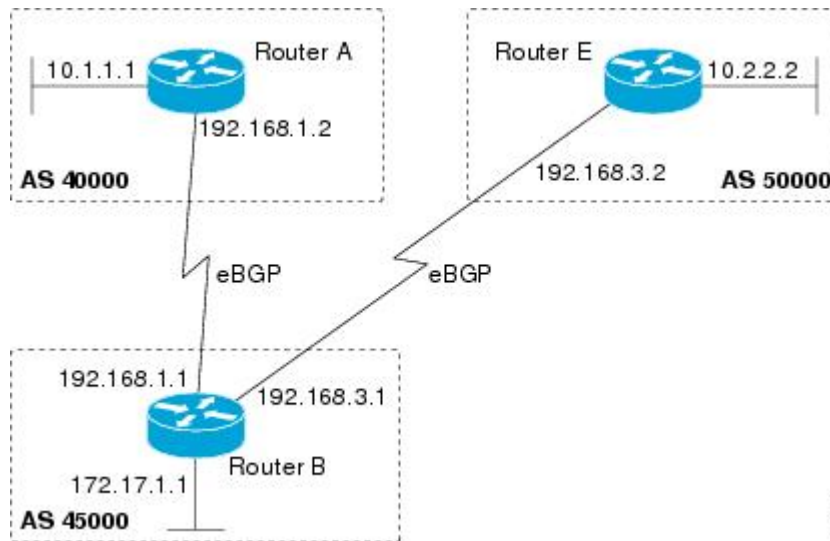
```

## Configuring a BGP Peer for the IPv4 VRF Address Family

Perform this optional task to configure BGP between two IPv4 routers (peers) that must exchange IPv4 VRF information because they exist in a VPN. The address family configured here is the IPv4 VRF address family and the configuration is done at Router B in the figure below with the neighbor 192.168.3.2 at Router E in autonomous system 50000. Remember to perform this task for any neighbor routers that are to be BGP IPv4 VRF address family peers.

This task does not show the complete configuration required for VPN routing. For some complete example configurations and an example configuration showing how to create a VRF with a route-target that uses a 4-byte autonomous system number, see .

Figure 4: BGP Topology for IPv4 VRF Address Family

**Before you begin**

Before you perform this task, perform the [Configuring a BGP Routing Process](#) task.

**SUMMARY STEPS**

1. **enable**
2. **configure terminal**
3. **ip vrf** *vrf-name*
4. **rd** *route-distinguisher*
5. **route-target** {*import* | *export* | *both*} *route-target-ext-community*
6. **exit**
7. **router bgp** *autonomous-system-number*
8. **address-family ipv4** [*unicast* | *multicast* | *vrf vrf-name*]
9. **neighbor** *ip-address* **remote-as** *autonomous-system-number*
10. **neighbor** {*ip-address* | *peer-group-name*} **maximum-prefix** *maximum* [*threshold*] [**restart** *restart-interval*] [**warning-only**]
11. **neighbor** *ip-address* **activate**
12. **end**

**DETAILED STEPS**

	Command or Action	Purpose
<b>Step 1</b>	<b>enable</b> <b>Example:</b> Router> enable	Enables privileged EXEC mode. <ul style="list-style-type: none"> <li>• Enter your password if prompted.</li> </ul>

	Command or Action	Purpose
<b>Step 2</b>	<b>configure terminal</b> <b>Example:</b> <pre>Router# configure terminal</pre>	Enters global configuration mode.
<b>Step 3</b>	<b>ip vrf vrf-name</b> <b>Example:</b> <pre>Router(config)# ip vrf vpn1</pre>	Configures a VRF routing table and enters VRF configuration mode. <ul style="list-style-type: none"> <li>• Use the <i>vrf-name</i> argument to specify a name to be assigned to the VRF.</li> </ul>
<b>Step 4</b>	<b>rd route-distinguisher</b> <b>Example:</b> <pre>Router(config-vrf)# rd 45000:5</pre>	Creates routing and forwarding tables and specifies the default route distinguisher for a VPN. <ul style="list-style-type: none"> <li>• Use the <i>route-distinguisher</i> argument to add an 8-byte value to an IPv4 prefix to create a unique VPN IPv4 prefix.</li> </ul>
<b>Step 5</b>	<b>route-target {import   export   both}</b> <i>route-target-ext-community</i> <b>Example:</b> <pre>Router(config-vrf)# route-target both 45000:100</pre>	Creates a route target extended community for a VRF. <ul style="list-style-type: none"> <li>• Use the <b>import</b> keyword to import routing information from the target VPN extended community.</li> <li>• Use the <b>export</b> keyword to export routing information to the target VPN extended community.</li> <li>• Use the <b>both</b> keyword to import both import and export routing information to the target VPN extended community.</li> <li>• Use the <i>route-target-ext-community</i> argument to add the route target extended community attributes to the VRF's list of import, export, or both (import and export) route target extended communities.</li> </ul>
<b>Step 6</b>	<b>exit</b> <b>Example:</b> <pre>Router(config-vrf)# exit</pre>	Exits VRF configuration mode and enters global configuration mode.
<b>Step 7</b>	<b>router bgp autonomous-system-number</b> <b>Example:</b> <pre>Router(config)# router bgp 45000</pre>	Enters router configuration mode for the specified routing process.
<b>Step 8</b>	<b>address-family ipv4 [unicast   multicast   vrf vrf-name]</b> <b>Example:</b>	Specifies the IPv4 address family and enters address family configuration mode. <ul style="list-style-type: none"> <li>• Use the <b>unicast</b> keyword to specify the IPv4 unicast address family. By default, the router is placed in</li> </ul>

	Command or Action	Purpose
	<pre>Router(config-router)# address-family ipv4 vrf vpn1</pre>	<p>configuration mode for the IPv4 unicast address family if the <b>unicast</b> keyword is not specified with the <b>address-family ipv4</b> command.</p> <ul style="list-style-type: none"> <li>• Use the <b>multicast</b> keyword to specify IPv4 multicast address prefixes.</li> <li>• Use the <b>vrf</b> keyword and <i>vrf-name</i> argument to specify the name of the VRF instance to associate with subsequent IPv4 address family configuration mode commands.</li> </ul>
<b>Step 9</b>	<p><b>neighbor</b> <i>ip-address</i> <b>remote-as</b> <i>autonomous-system-number</i></p> <p><b>Example:</b></p> <pre>Router(config-router-af)# neighbor 192.168.3.2 remote-as 45000</pre>	<p>Adds the IP address of the neighbor in the specified autonomous system to the IPv4 multiprotocol BGP neighbor table of the local router.</p>
<b>Step 10</b>	<p><b>neighbor</b> {<i>ip-address</i>   <i>peer-group-name</i>} <b>maximum-prefix</b> <i>maximum</i> [<i>threshold</i>] [<b>restart</b> <i>restart-interval</i>] [<b>warning-only</b>]</p> <p><b>Example:</b></p> <pre>Router(config-router-af)# neighbor 192.168.3.2 maximum-prefix 10000 warning-only</pre>	<p>Controls how many prefixes can be received from a neighbor.</p> <ul style="list-style-type: none"> <li>• Use the <i>maximum</i> argument to specify the maximum number of prefixes allowed from the specified neighbor. The number of prefixes that can be configured is limited only by the available system resources on a router.</li> <li>• Use the <i>threshold</i> argument to specify an integer representing a percentage of the maximum prefix limit at which the router starts to generate a warning message.</li> <li>• Use the <b>warning-only</b> keyword to allow the router to generate a log message when the maximum prefix limit is exceeded, instead of terminating the peering session.</li> </ul>
<b>Step 11</b>	<p><b>neighbor</b> <i>ip-address</i> <b>activate</b></p> <p><b>Example:</b></p> <pre>Router(config-router-af)# neighbor 192.168.3.2 activate</pre>	<p>Enables the neighbor to exchange prefixes for the IPv4 VRF address family with the local router.</p>
<b>Step 12</b>	<p><b>end</b></p> <p><b>Example:</b></p> <pre>Router(config-router-af)# end</pre>	<p>Exits address family configuration mode and enters privileged EXEC mode.</p>



## Troubleshooting Tips

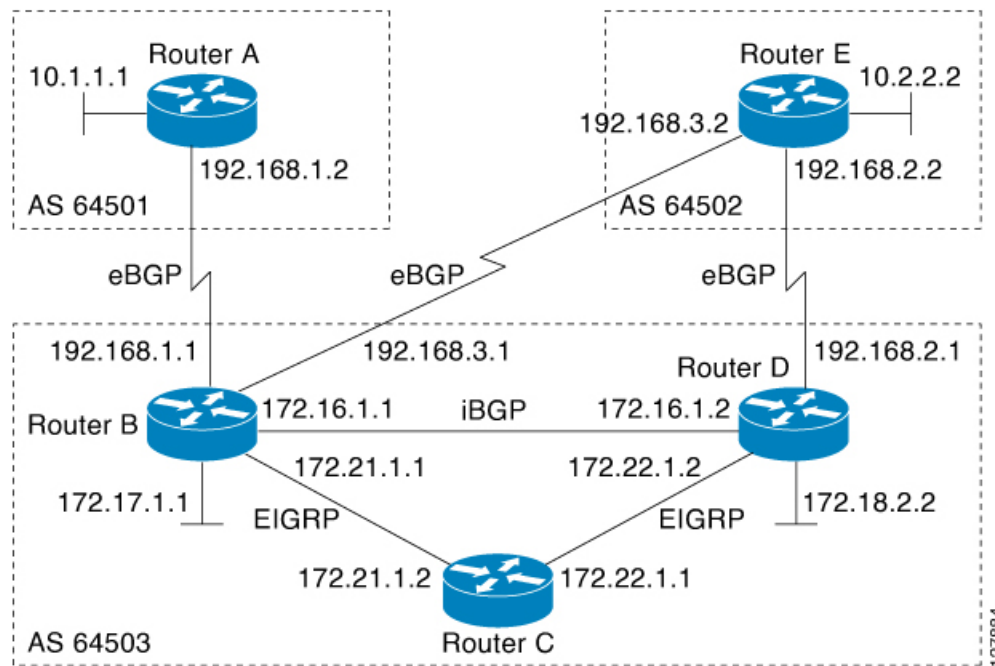
Use the **ping** command to verify basic network connectivity between the BGP routers, and use the **show ip vrf** command to verify that the VRF instance has been created.

## Customizing a BGP Peer

Perform this task to customize your BGP peers. Although many of the steps in this task are optional, this task demonstrates how the neighbor and address family configuration command relationships work. Using the example of the IPv4 multicast address family, neighbor address family-independent commands are configured before the IPv4 multicast address family is configured. Commands that are address family-dependent are then configured and the **exit address-family** command is shown. An optional step shows how to disable a neighbor.

The configuration in this task is done at Router B in the figure below and would need to be repeated with appropriate changes to the IP addresses, for example, at Router E to fully configure a BGP process between the two devices.

Figure 5: BGP Peer Topology



**Note** By default, neighbors that are defined using the **neighbor remote-as** command in router configuration mode exchange only IPv4 unicast address prefixes. To exchange other address prefix types, such as IPv6 prefixes, neighbors must also be activated using the **neighbor activate** command in address family configuration mode for the other prefix types, such as IPv6 prefixes.

### SUMMARY STEPS

1. enable

2. **configure terminal**
3. **router bgp** *autonomous-system-number*
4. **no bgp default ipv4-unicast**
5. **neighbor** {*ip-address* | *peer-group-name*} **remote-as** *autonomous-system-number*
6. **neighbor** {*ip-address* | *peer-group-name*} **description** *text*
7. **address-family ipv4** [**unicast** | **multicast** | **vrf** *vrf-name*]
8. **network** *network-number* [**mask** *network-mask*] [**route-map** *route-map-name*]
9. **neighbor** {*ip-address* | *peer-group-name*} **activate**
10. **neighbor** {*ip-address* | *peer-group-name*} **advertisement-interval** *seconds*
11. **neighbor** {*ip-address* | *peer-group-name*} **default-originate** [**route-map** *map-name*]
12. **exit-address-family**
13. **neighbor** {*ip-address* | *peer-group-name*} **shutdown**
14. **end**
15. **show ip bgp ipv4 multicast** [*command*]
16. **show ip bgp neighbors** [*neighbor-address*] [**received-routes** | **routes** | **advertised-routes** | **paths** *regex* | **dampened-routes** | **received prefix-filter**]

## DETAILED STEPS

	Command or Action	Purpose
<b>Step 1</b>	<b>enable</b> <b>Example:</b> Device> enable	Enables privileged EXEC mode. <ul style="list-style-type: none"> <li>• Enter your password if prompted.</li> </ul>
<b>Step 2</b>	<b>configure terminal</b> <b>Example:</b> Device# configure terminal	Enters global configuration mode.
<b>Step 3</b>	<b>router bgp</b> <i>autonomous-system-number</i> <b>Example:</b> Device(config)# router bgp 45000	Enters router configuration mode for the specified routing process.
<b>Step 4</b>	<b>no bgp default ipv4-unicast</b> <b>Example:</b> Device(config-router)# no bgp default ipv4-unicast	Disables the IPv4 unicast address family for the BGP routing process. <p><b>Note</b> Routing information for the IPv4 unicast address family is advertised by default for each BGP routing session configured with the <b>neighbor remote-as</b> router configuration command unless you configure the <b>no bgp default ipv4-unicast</b> router configuration command before configuring the <b>neighbor remote-as</b> command. Existing neighbor configurations are not affected.</p>

	Command or Action	Purpose
Step 5	<p><b>neighbor</b> {<i>ip-address</i>   <i>peer-group-name</i>} <b>remote-as</b> <i>autonomous-system-number</i></p> <p><b>Example:</b></p> <pre>Device(config-router)# neighbor 192.168.3.2 remote-as 50000</pre>	Adds the IP address of the neighbor in the specified autonomous system to the IPv4 multiprotocol BGP neighbor table of the local device.
Step 6	<p><b>neighbor</b> {<i>ip-address</i>   <i>peer-group-name</i>} <b>description</b> <i>text</i></p> <p><b>Example:</b></p> <pre>Device(config-router)# neighbor 192.168.3.2 description finance</pre>	(Optional) Associates a text description with the specified neighbor.
Step 7	<p><b>address-family ipv4</b> [<b>unicast</b>   <b>multicast</b>   <b>vrf</b> <i>vrf-name</i>]</p> <p><b>Example:</b></p> <pre>Device(config-router)# address-family ipv4 multicast</pre>	<p>Specifies the IPv4 address family and enters address family configuration mode.</p> <ul style="list-style-type: none"> <li>The <b>unicast</b> keyword specifies the IPv4 unicast address family. By default, the device is placed in configuration mode for the IPv4 unicast address family if the <b>unicast</b> keyword is not specified with the <b>address-family ipv4</b> command.</li> <li>The <b>multicast</b> keyword specifies IPv4 multicast address prefixes.</li> <li>The <b>vrf</b> keyword and <i>vrf-name</i> argument specify the name of the VRF instance to associate with subsequent IPv4 address family configuration mode commands.</li> </ul>
Step 8	<p><b>network</b> <i>network-number</i> [<b>mask</b> <i>network-mask</i>] [<b>route-map</b> <i>route-map-name</i>]</p> <p><b>Example:</b></p> <pre>Device(config-router-af)# network 172.17.1.0 mask 255.255.255.0</pre>	<p>(Optional) Specifies a network as local to this autonomous system and adds it to the BGP routing table.</p> <ul style="list-style-type: none"> <li>For exterior protocols the <b>network</b> command controls which networks are advertised. Interior protocols use the <b>network</b> command to determine where to send updates.</li> </ul>
Step 9	<p><b>neighbor</b> {<i>ip-address</i>   <i>peer-group-name</i>} <b>activate</b></p> <p><b>Example:</b></p> <pre>Device(config-router-af)# neighbor 192.168.3.2 activate</pre>	Enables the exchange of information with a BGP neighbor.
Step 10	<p><b>neighbor</b> {<i>ip-address</i>   <i>peer-group-name</i>} <b>advertisement-interval</b> <i>seconds</i></p> <p><b>Example:</b></p>	(Optional) Sets the minimum interval between the sending of BGP routing updates.

	Command or Action	Purpose
	Device(config-router-af)# neighbor 192.168.3.2 advertisement-interval 25	
<b>Step 11</b>	<b>neighbor</b> { <i>ip-address</i>   <i>peer-group-name</i> } <b>default-originate</b> [ <i>route-map map-name</i> ] <b>Example:</b> Device(config-router-af)# neighbor 192.168.3.2 default-originate	(Optional) Permits a BGP speaker--the local device--to send the default route 0.0.0.0 to a peer for use as a default route.
<b>Step 12</b>	<b>exit-address-family</b> <b>Example:</b> Device(config-router-af)# exit-address-family	Exits address family configuration mode and enters router configuration mode.
<b>Step 13</b>	<b>neighbor</b> { <i>ip-address</i>   <i>peer-group-name</i> } <b>shutdown</b> <b>Example:</b> Device(config-router)# neighbor 192.168.3.2 shutdown	(Optional) Disables a BGP peer or peer group.  <b>Note</b> If you perform this step you will not be able to run either of the subsequent <b>show</b> command steps because you have disabled the neighbor.
<b>Step 14</b>	<b>end</b> <b>Example:</b> Device(config-router)# end	Exits router configuration mode and enters privileged EXEC mode.
<b>Step 15</b>	<b>show ip bgp ipv4 multicast</b> [ <i>command</i> ] <b>Example:</b> Device# show ip bgp ipv4 multicast	(Optional) Displays IPv4 multicast database-related information.  <ul style="list-style-type: none"> <li>Use the <i>command</i> argument to specify any multiprotocol BGP command that is supported. To see the supported commands, use the ? prompt on the CLI.</li> </ul>
<b>Step 16</b>	<b>show ip bgp neighbors</b> [ <i>neighbor-address</i> ] <b>[received-routes   routes   advertised-routes   paths regexp   dampened-routes   received prefix-filter]</b> <b>Example:</b> Device# show ip bgp neighbors 192.168.3.2	(Optional) Displays information about the TCP and BGP connections to neighbors.

### Examples

The following sample output from the **show ip bgp ipv4 multicast** command shows BGP IPv4 multicast information for Router B in the figure above after this task has been configured on Router B and Router E. Note that the networks local to each device that were configured under IPv4 multicast address family appear in the output table.

```

BGP table version is 3, local router ID is 172.17.1.99
Status codes: s suppressed, d damped, h history, * valid, > best, i - internal,
               r RIB-failure, S Stale
Origin codes: i - IGP, e - EGP, ? - incomplete
   Network        Next Hop           Metric LocPrf Weight Path
*> 10.2.2.0/24    192.168.3.2           0             0 50000 i
*> 172.17.1.0/24  0.0.0.0               0             32768 i

```

The following partial sample output from the **show ip bgp neighbors** command for neighbor 192.168.3.2 shows general BGP information and specific BGP IPv4 multicast address family information about the neighbor. The command was entered on Router B in the figure above after this task had been configured on Router B and Router E.

```

BGP neighbor is 192.168.3.2, remote AS 50000, external link
Description: finance
  BGP version 4, remote router ID 10.2.2.99
  BGP state = Established, up for 01:48:27
  Last read 00:00:26, last write 00:00:26, hold time is 120, keepalive intervals
  Configured hold time is 120, keepalive interval is 70 seconds, Minimum holdtimes
  Neighbor capabilities:
    Route refresh: advertised and received (old & new)
    Address family IPv4 Unicast: advertised
    Address family IPv4 Multicast: advertised and received
!
For address family: IPv4 Multicast
  BGP table version 3, neighbor version 3/0
  Output queue size : 0
  Index 1, Offset 0, Mask 0x2
  1 update-group member
    Uses NEXT_HOP attribute for MBGP NLRI's
          Sent          Rcvd
Prefix activity:  ----  ----
  Prefixes Current:      1          1 (Consumes 48 bytes)
  Prefixes Total:       1          1
  Implicit Withdraw:    0          0
  Explicit Withdraw:    0          0
  Used as bestpath:    n/a          1
  Used as multipath:    n/a          0
          Outbound    Inbound
Local Policy Denied Prefixes:  -----  -----
  Bestpath from this peer:           1          n/a
  Total:                             1          0
Number of NLRI's in the update sent: max 0, min 0
Minimum time between advertisement runs is 25 seconds
Connections established 8; dropped 7
Last reset 01:48:54, due to User reset
Connection state is ESTAB, I/O status: 1, unread input bytes: 0
Connection is ECN Disabled
Local host: 192.168.3.1, Local port: 13172
Foreign host: 192.168.3.2, Foreign port: 179
!

```

## Removing BGP Configuration Commands Using a Redistribution

BGP CLI configuration can become quite complex even in smaller BGP networks. If you need to remove any CLI configuration, you must consider all the implications of removing the CLI. Analyze the current running configuration to determine the current BGP neighbor relationships, any address family considerations, and even other routing protocols that are configured. Many BGP CLI commands affect other parts of the CLI configuration.

Perform this task to remove all the BGP configuration commands used in a redistribution of BGP routes into EIGRP. A route map can be used to match and set parameters or to filter the redistributed routes to ensure that routing loops are not created when these routes are subsequently advertised by EIGRP. When removing BGP configuration commands you must remember to remove or disable all the related commands. In this example, if the **route-map** command is omitted, then the redistribution will still occur and possibly with unexpected results as the route map filtering has been removed. Omitting just the **redistribute** command would mean that the route map is not applied, but it would leave unused commands in the running configuration.

For more details on BGP CLI removal, see the “BGP CLI Removal Considerations” concept in the “Cisco BGP Overview” module.

To view the redistribution configuration before and after the CLI removal, see the “Examples: Removing BGP Configuration Commands Using a Redistribution Example” section.

## SUMMARY STEPS

1. **enable**
2. **configure terminal**
3. **no route-map** *map-name*
4. **router eigrp** *autonomous-system-number*
5. **no redistribute** *protocol* [*as-number*]
6. **end**
7. **show running-config**

## DETAILED STEPS

	Command or Action	Purpose
<b>Step 1</b>	<b>enable</b> <b>Example:</b> Device> enable	Enables privileged EXEC mode. <ul style="list-style-type: none"> <li>• Enter your password if prompted.</li> </ul>
<b>Step 2</b>	<b>configure terminal</b> <b>Example:</b> Device# configure terminal	Enters global configuration mode.
<b>Step 3</b>	<b>no route-map</b> <i>map-name</i> <b>Example:</b> Device(config)# no route-map bgp-to-eigrp	Removes a route map from the running configuration. <ul style="list-style-type: none"> <li>• In this example, a route map named bgp-to-eigrp is removed from the configuration.</li> </ul>
<b>Step 4</b>	<b>router eigrp</b> <i>autonomous-system-number</i> <b>Example:</b> Device(config)# router eigrp 100	Enters router configuration mode for the specified routing process.
<b>Step 5</b>	<b>no redistribute</b> <i>protocol</i> [ <i>as-number</i> ] <b>Example:</b>	Disables the redistribution of routes from one routing domain into another routing domain.

	Command or Action	Purpose
	<pre>Device(config-router)# no redistribute bgp 45000</pre>	<ul style="list-style-type: none"> <li>In this example, the configuration of the redistribution of BGP routes into the EIGRP routing process is removed from the running configuration.</li> </ul> <p><b>Note</b> If a route map was included in the original <b>redistribute</b> command configuration, remember to remove the <b>route-map</b> command configuration as in Step 3 in this example task.</p> <p><b>Note</b> Only the syntax applicable to this task is used in this example. For more details, see the <i>Cisco IOS IP Routing: BGP Command Reference</i>.</p>
<b>Step 6</b>	<p><b>end</b></p> <p><b>Example:</b></p> <pre>Device(config-router)# end</pre>	Exits router configuration mode and enters privileged EXEC mode.
<b>Step 7</b>	<p><b>show running-config</b></p> <p><b>Example:</b></p> <pre>Device# show running-config</pre>	<p>(Optional) Displays the current running configuration on the router.</p> <ul style="list-style-type: none"> <li>Use this command to verify that the <b>redistribute</b> and <b>route-map</b> commands are removed from the router configuration.</li> </ul>

## Monitoring and Maintaining Basic BGP

The tasks in this section are concerned with the resetting and display of information about basic BGP processes and peer relationships. Once you have defined two routers to be BGP neighbors, they will form a BGP connection and exchange routing information. If you subsequently change a BGP filter, weight, distance, version, or timer, or make a similar configuration change, you may have to reset BGP connections for the configuration change to take effect.

### Configuring Inbound Soft Reconfiguration When Route Refresh Capability Is Missing

Perform this task to configure inbound soft reconfiguration using the **bgp soft-reconfig-backup** command for BGP peers that do not support the route refresh capability. BGP peers that support the route refresh capability are unaffected by the configuration of this command. Note that the memory requirements for storing the inbound update information can become quite large.

#### SUMMARY STEPS

- enable**
- configure terminal**
- router bgp** *autonomous-system-number*
- bgp log-neighbor-changes**
- bgp soft-reconfig-backup**
- neighbor** {*ip-address* | *peer-group-name*} **remote-as** *autonomous-system-number*

7. **neighbor** {*ip-address* | *peer-group-name*} **soft-reconfiguration** [inbound]
8. **neighbor** {*ip-address* | *peer-group-name*} **route-map** *map-name* {in | out}
9. Repeat Steps 6 through 8 for every peer that is to be configured with inbound soft reconfiguration.
10. **exit**
11. **route-map** *map-name* [permit | deny] [*sequence-number*]
12. **set ip next-hop** *ip-address*
13. **end**
14. **show ip bgp neighbors** [*neighbor-address*]
15. **show ip bgp** [*network*] [*network-mask*]

## DETAILED STEPS

	Command or Action	Purpose
Step 1	<b>enable</b> <b>Example:</b> Device> enable	Enables privileged EXEC mode. <ul style="list-style-type: none"> <li>• Enter your password if prompted.</li> </ul>
Step 2	<b>configure terminal</b> <b>Example:</b> Device# configure terminal	Enters global configuration mode.
Step 3	<b>router bgp</b> <i>autonomous-system-number</i> <b>Example:</b> Device(config)# router bgp 45000	Enters router configuration mode for the specified routing process.
Step 4	<b>bgp log-neighbor-changes</b> <b>Example:</b> Device(config-router)# bgp log-neighbor-changes	Enables logging of BGP neighbor resets.
Step 5	<b>bgp soft-reconfig-backup</b> <b>Example:</b> Device(config-router)# bgp soft-reconfig-backup	Configures a BGP speaker to perform inbound soft reconfiguration for peers that do not support the route refresh capability. <ul style="list-style-type: none"> <li>• This command is used to configure BGP to perform inbound soft reconfiguration for peers that do not support the route refresh capability. The configuration of this command allows you to configure BGP to store updates (soft reconfiguration) only as necessary. Peers that support the route refresh capability are unaffected by the configuration of this command.</li> </ul>
Step 6	<b>neighbor</b> { <i>ip-address</i>   <i>peer-group-name</i> } <b>remote-as</b> <i>autonomous-system-number</i> <b>Example:</b>	Adds the IP address of the neighbor in the specified autonomous system to the IPv4 multiprotocol BGP neighbor table of the local device.



	Command or Action	Purpose
	Device(config-router)# neighbor 192.168.1.2 remote-as 40000	
<b>Step 7</b>	<b>neighbor</b> { <i>ip-address</i>   <i>peer-group-name</i> } <b>soft-reconfiguration</b> [inbound]  <b>Example:</b>  Device(config-router)# neighbor 192.168.1.2 soft-reconfiguration inbound	Configures the Cisco software to start storing updates. <ul style="list-style-type: none"> <li>All the updates received from this neighbor will be stored unmodified, regardless of the inbound policy. When inbound soft reconfiguration is done later, the stored information will be used to generate a new set of inbound updates.</li> </ul>
<b>Step 8</b>	<b>neighbor</b> { <i>ip-address</i>   <i>peer-group-name</i> } <b>route-map</b> <i>map-name</i> {in   out}  <b>Example:</b>  Device(config-router)# neighbor 192.168.1.2 route-map LOCAL in	Applies a route map to incoming or outgoing routes. <ul style="list-style-type: none"> <li>In this example, the route map named LOCAL will be applied to incoming routes.</li> </ul>
<b>Step 9</b>	Repeat Steps 6 through 8 for every peer that is to be configured with inbound soft reconfiguration.	—
<b>Step 10</b>	<b>exit</b>  <b>Example:</b>  Device(config-router)# exit	Exits router configuration mode and enters global configuration mode.
<b>Step 11</b>	<b>route-map</b> <i>map-name</i> [permit   deny] [ <i>sequence-number</i> ]  <b>Example:</b>  Device(config)# route-map LOCAL permit 10	Configures a route map and enters route-map configuration mode. <ul style="list-style-type: none"> <li>In this example, a route map named LOCAL is created.</li> </ul>
<b>Step 12</b>	<b>set ip next-hop</b> <i>ip-address</i>  <b>Example:</b>  Device(config-route-map)# set ip next-hop 192.168.1.144	Specifies where output packets that pass a match clause of a route map for policy routing. <ul style="list-style-type: none"> <li>In this example, the ip address is set to 192.168.1.144.</li> </ul>
<b>Step 13</b>	<b>end</b>  <b>Example:</b>  Device(config-route-map)# end	Exits route-map configuration mode and enters privileged EXEC mode.
<b>Step 14</b>	<b>show ip bgp neighbors</b> [ <i>neighbor-address</i> ]  <b>Example:</b>  Device# show ip bgp neighbors 192.168.1.2	(Optional) Displays information about the TCP and BGP connections to neighbors.  <b>Note</b> Only the syntax applicable to this task is used in this example. For more details, see the <i>Cisco IOS IP Routing: BGP Command Reference</i> .

	Command or Action	Purpose
<b>Step 15</b>	<b>show ip bgp</b> [network] [network-mask] <b>Example:</b> Device# show ip bgp	(Optional) Displays the entries in the BGP routing table. <b>Note</b> Only the syntax applicable to this task is used in this example. For more details, see the <i>Cisco IOS IP Routing: BGP Command Reference</i> .

### Examples

The following partial output from the **show ip bgp neighbors** command shows information about the TCP and BGP connections to the BGP neighbor 192.168.2.1. This peer supports route refresh.

```
BGP neighbor is 192.168.1.2, remote AS 40000, external link
Neighbor capabilities:
  Route refresh: advertised and received(new)
```

The following partial output from the **show ip bgp neighbors** command shows information about the TCP and BGP connections to the BGP neighbor 192.168.3.2. This peer does not support route refresh so the soft-reconfig inbound paths for BGP peer 192.168.3.2 will be stored because there is no other way to update any inbound policy updates.

```
BGP neighbor is 192.168.3.2, remote AS 50000, external link
Neighbor capabilities:
  Route refresh: advertised
```

The following sample output from the **show ip bgp** command shows the entry for the network 172.17.1.0. Both BGP peers are advertising 172.17.1.0/24, but only the received-only path is stored for 192.168.3.2.

```
BGP routing table entry for 172.17.1.0/24, version 11
Paths: (3 available, best #3, table Default-IP-Routing-Table, RIB-failure(4))
Flag: 0x820
Advertised to update-groups:
  1
  50000
    192.168.3.2 from 192.168.3.2 (172.17.1.0)
      Origin incomplete, metric 0, localpref 200, valid, external
  50000, (received-only)
    192.168.3.2 from 192.168.3.2 (172.17.1.0)
      Origin incomplete, metric 0, localpref 100, valid, external
  40000
    192.168.1.2 from 192.168.1.2 (172.16.1.0)
      Origin incomplete, metric 0, localpref 200, valid, external, best
```

## Resetting and Displaying Basic BGP Information

Perform this task to reset and display information about basic BGP processes and peer relationships.

### SUMMARY STEPS

1. **enable**
2. **clear ip bgp** {\* | autonomous-system-number | neighbor-address} [soft [in | out] ]

3. **show ip bgp** [*network-address*] [*network-mask*] [**longer-prefixes**] [**prefix-list** *prefix-list-name* | **route-map** *route-map-name*] [**shorter prefixes** *mask-length*]
4. **show ip bgp neighbors** [*neighbor-address*] [**received-routes** | **routes** | **advertised-routes** | **paths** *regex* | **dampened-routes** | **received** *prefix-filter*]
5. **show ip bgp paths**
6. **show ip bgp summary**

## DETAILED STEPS

	Command or Action	Purpose
Step 1	<b>enable</b> <b>Example:</b> Device> enable	Enables privileged EXEC mode. <ul style="list-style-type: none"> <li>• Enter your password if prompted.</li> </ul>
Step 2	<b>clear ip bgp</b> { <i>*</i>   <i>autonomous-system-number</i>   <i>neighbor-address</i> } [ <b>soft</b> [ <b>in</b>   <b>out</b> ] ] <b>Example:</b> Device# clear ip bgp *	Clears and resets BGP neighbor sessions: <ul style="list-style-type: none"> <li>• In the example provided, all BGP neighbor sessions are cleared and reset.</li> </ul>
Step 3	<b>show ip bgp</b> [ <i>network-address</i> ] [ <i>network-mask</i> ] [ <b>longer-prefixes</b> ] [ <b>prefix-list</b> <i>prefix-list-name</i>   <b>route-map</b> <i>route-map-name</i> ] [ <b>shorter prefixes</b> <i>mask-length</i> ] <b>Example:</b> Device# show ip bgp 10.1.1.0 255.255.255.0	Displays all the entries in the BGP routing table: <ul style="list-style-type: none"> <li>• In the example provided, the BGP routing table information for the 10.1.1.0 network is displayed.</li> </ul>
Step 4	<b>show ip bgp neighbors</b> [ <i>neighbor-address</i> ] [ <b>received-routes</b>   <b>routes</b>   <b>advertised-routes</b>   <b>paths</b> <i>regex</i>   <b>dampened-routes</b>   <b>received</b> <i>prefix-filter</i> ] <b>Example:</b> Device# show ip bgp neighbors 192.168.3.2 advertised-routes	Displays information about the TCP and BGP connections to neighbors. <ul style="list-style-type: none"> <li>• In the example provided, the routes advertised from the device to BGP neighbor 192.168.3.2 on another device are displayed.</li> </ul>
Step 5	<b>show ip bgp paths</b> <b>Example:</b> Device# show ip bgp paths	Displays information about all the BGP paths in the database.
Step 6	<b>show ip bgp summary</b> <b>Example:</b> Device# show ip bgp summary	Displays information about the status of all BGP connections.

## Aggregating Route Prefixes Using BGP

BGP peers exchange information about local networks, but this can quickly lead to large BGP routing tables. CIDR enables the creation of aggregate routes (or *supernets*) to minimize the size of routing tables. Smaller BGP routing tables can reduce the convergence time of the network and improve network performance. Aggregated routes can be configured and advertised using BGP. Some aggregations advertise only summary routes and other methods of aggregating routes allow more specific routes to be forwarded. Aggregation applies only to routes that exist in the BGP routing table. An aggregated route is forwarded if at least one more specific route of the aggregation exists in the BGP routing table. Perform one of the following tasks to aggregate routes within BGP:

### Redistributing a Static Aggregate Route into BGP

Use this task to redistribute a static aggregate route into BGP. A static aggregate route is configured and then redistributed into the BGP routing table. The static route must be configured to point to interface null 0 and the prefix should be a superset of known BGP routes. When a device receives a BGP packet, it will use the more specific BGP routes. If the route is not found in the BGP routing table, then the packet will be forwarded to null 0 and discarded.

#### SUMMARY STEPS

1. **enable**
2. **configure terminal**
3. **ip route** *prefix mask {ip-address | interface-type interface-number [ip-address]} [distance] [name] [permanent | track number] [tag tag]*
4. **router bgp** *autonomous-system-number*
5. **redistribute static**
6. **end**

#### DETAILED STEPS

	Command or Action	Purpose
Step 1	<b>enable</b> <b>Example:</b> Device> enable	Enables privileged EXEC mode. <ul style="list-style-type: none"> <li>• Enter your password if prompted.</li> </ul>
Step 2	<b>configure terminal</b> <b>Example:</b> Device# configure terminal	Enters global configuration mode.
Step 3	<b>ip route</b> <i>prefix mask {ip-address   interface-type interface-number [ip-address]} [distance] [name] [permanent   track number] [tag tag]</i> <b>Example:</b> Device(config)# ip route 172.0.0.0 255.0.0.0 null 0	Creates a static route.

	Command or Action	Purpose
<b>Step 4</b>	<b>router bgp</b> <i>autonomous-system-number</i> <b>Example:</b>  Device(config)# router bgp 45000	Enters router configuration mode for the specified routing process.
<b>Step 5</b>	<b>redistribute static</b> <b>Example:</b>  Device(config-router)# redistribute static	Redistributes routes into the BGP routing table.
<b>Step 6</b>	<b>end</b> <b>Example:</b>  Device(config-router)# end	Exits router configuration mode and returns to privileged EXEC mode.

## Configuring Conditional Aggregate Routes Using BGP

Use this task to create an aggregate route entry in the BGP routing table when at least one specific route falls into the specified range. The aggregate route is advertised as originating from your autonomous system. For more information, see the “BGP Route Aggregation Generating AS\_SET Information” section.

### SUMMARY STEPS

1. **enable**
2. **configure terminal**
3. **router bgp** *autonomous-system-number*
4. **aggregate-address** *address mask* [*as-set*]
5. **end**

### DETAILED STEPS

	Command or Action	Purpose
<b>Step 1</b>	<b>enable</b> <b>Example:</b>  Device> enable	Enables privileged EXEC mode.  • Enter your password if prompted.
<b>Step 2</b>	<b>configure terminal</b> <b>Example:</b>  Device# configure terminal	Enters global configuration mode.
<b>Step 3</b>	<b>router bgp</b> <i>autonomous-system-number</i> <b>Example:</b>  Device(config)# router bgp 45000	Enters router configuration mode for the specified routing process.

	Command or Action	Purpose
<b>Step 4</b>	<b>aggregate-address</b> <i>address mask</i> [ <b>as-set</b> ] <b>Example:</b> <pre>Device(config-router)# aggregate-address 172.0.0.0 255.0.0.0 as-set</pre>	Creates an aggregate entry in a BGP routing table. <ul style="list-style-type: none"> <li>• A specified route must exist in the BGP table.</li> <li>• Use the <b>aggregate-address</b> command with no keywords to create an aggregate entry if any more-specific BGP routes are available that fall in the specified range.</li> <li>• Use the <b>as-set</b> keyword to specify that the path advertised for this route is an AS_SET. Do not use the <b>as-set</b> keyword when aggregating many paths because this route is withdrawn and updated every time the reachability information for the aggregated route changes.</li> </ul> <b>Note</b> Only partial syntax is used in this example. For more details, see the <i>Cisco IOS IP Routing: BGP Command Reference</i> .
<b>Step 5</b>	<b>end</b> <b>Example:</b> <pre>Device(config-router)# end</pre>	Exits router configuration mode and enters privileged EXEC mode.

## Suppressing and Unsuppressing the Advertisement of Aggregated Routes Using BGP

Use this task to create an aggregate route, suppress the advertisement of routes using BGP, and subsequently unsuppress the advertisement of routes. Routes that are suppressed are not advertised to any neighbors, but it is possible to unsuppress routes that were previously suppressed to specific neighbors.

### SUMMARY STEPS

1. **enable**
2. **configure terminal**
3. **router bgp** *autonomous-system-number*
4. **neighbor** *ip-address* **remote-as** *autonomous-system-number*
5. Do one of the following:
  - **aggregate-address** *address mask* [**summary-only**]
  - **aggregate-address** *address mask* [**suppress-map** *map-name*]
6. **neighbor** {*ip-address* | *peer-group-name*} **unsuppress-map** *map-name*
7. **end**

### DETAILED STEPS

	Command or Action	Purpose
<b>Step 1</b>	<b>enable</b>	Enables privileged EXEC mode.

	Command or Action	Purpose
	<b>Example:</b>  Device> enable	<ul style="list-style-type: none"> <li>• Enter your password if prompted.</li> </ul>
<b>Step 2</b>	<b>configure terminal</b>  <b>Example:</b>  Device# configure terminal	Enters global configuration mode.
<b>Step 3</b>	<b>router bgp <i>autonomous-system-number</i></b>  <b>Example:</b>  Device(config)# router bgp 45000	Enters router configuration mode for the specified routing process.
<b>Step 4</b>	<b>neighbor <i>ip-address</i> remote-as <i>autonomous-system-number</i></b>  <b>Example:</b>  Device(config-router)# neighbor 192.168.1.2 remote-as 40000	Adds the IP address of the neighbor in the specified autonomous system to the IPv4 multiprotocol BGP neighbor table of the local device.
<b>Step 5</b>	Do one of the following: <ul style="list-style-type: none"> <li>• <b>aggregate-address <i>address mask</i> [summary-only]</b></li> <li>• <b>aggregate-address <i>address mask</i> [suppress-map <i>map-name</i>]</b></li> </ul> <b>Example:</b>  Device(config-router)# aggregate-address 172.0.0.0 255.0.0.0 summary-only  <b>Example:</b>  Device(config-router)# aggregate-address 172.0.0.0 255.0.0.0 suppress-map map1	Creates an aggregate route. <ul style="list-style-type: none"> <li>• Use the optional <b>summary-only</b> keyword to create the aggregate route (for example, 10.*.*.*) and also suppresses advertisements of more-specific routes to all neighbors.</li> <li>• Use the optional <b>suppress-map</b> keyword to create the aggregate route but suppress advertisement of specified routes. Routes that are suppressed are not advertised to any neighbors. You can use the <b>match</b> clauses of route maps to selectively suppress some more-specific routes of the aggregate and leave others unsuppressed. IP access lists and autonomous system path access lists <b>match</b> clauses are supported.</li> </ul> <p><b>Note</b> Only partial syntax is used in this example. For more details, see the <i>Cisco IOS IP Routing: BGP Command Reference</i>.</p>
<b>Step 6</b>	<b>neighbor {<i>ip-address</i>   <i>peer-group-name</i>}            unsuppress-map <i>map-name</i></b>  <b>Example:</b>  Device(config-router)# neighbor 192.168.1.2 unsuppress map1	(Optional) Selectively advertises routes previously suppressed by the <b>aggregate-address</b> command. <ul style="list-style-type: none"> <li>• In this example, the routes previously suppressed in Step 5 are advertised to neighbor 192.168.1.2.</li> </ul>
<b>Step 7</b>	<b>end</b>  <b>Example:</b>	Exits router configuration mode and enters privileged EXEC mode.

	Command or Action	Purpose
	Device(config-router)# end	

## Suppressing Inactive Route Advertisement Using BGP

Perform this task to suppress the advertisement of inactive routes by BGP. In Cisco IOS Release 12.2(25)S, 12.2(33)SXH, and 15.0(1)M, the **bgp suppress-inactive** command was introduced to configure BGP to not advertise inactive routes to any BGP peer. A BGP routing process can advertise routes that are not installed in the RIB to BGP peers by default. A route that is not installed into the RIB is an inactive route. Inactive route advertisement can occur, for example, when routes are advertised through common route aggregation.

Inactive route advertisements can be suppressed to provide more consistent data forwarding. This feature can be configured on a per IPv4 address family basis. For example, when specifying the maximum number of routes that can be configured in a VRF with the **maximum routes** global configuration command, you also suppress inactive route advertisement to prevent inactive routes from being accepted into the VRF after route limit has been exceeded.

### Before you begin

This task assumes that BGP is enabled and that peering has been established.



**Note** Inactive route suppression can be configured only under the IPv4 address family or under a default IPv4 general session.

>

## SUMMARY STEPS

1. **enable**
2. **configure terminal**
3. **router bgp** *as-number*
4. **address-family** {**ipv4** [**mdt** | **multicast** | **unicast** [**vrf vrf-name**] | **vrf vrf-name**] | **vpn4** [**unicast**]}
5. **bgp suppress-inactive**
6. **end**
7. **show ip bgp rib-failure**

## DETAILED STEPS

	Command or Action	Purpose
<b>Step 1</b>	<b>enable</b> <b>Example:</b>  Router> enable	Enables privileged EXEC mode.  • Enter your password if prompted.
<b>Step 2</b>	<b>configure terminal</b> <b>Example:</b>	Enters global configuration mode.



	Command or Action	Purpose
	<code>Router# configure terminal</code>	
<b>Step 3</b>	<b>router bgp</b> <i>as-number</i> <b>Example:</b> <code>Router(config)# router bgp 45000</code>	Enters router configuration mode and creates a BGP routing process.
<b>Step 4</b>	<b>address-family</b> { <i>ipv4</i> [ <i>mdt</i>   <i>multicast</i>   <i>unicast</i> [ <i>vrf vrf-name</i> ]   <i>vrf vrf-name</i> ]   <i>vpn4</i> [ <i>unicast</i> ]} <b>Example:</b> <code>Router(config-router)# address-family ipv4 unicast</code>	Enter address family configuration mode to configure BGP peers to accept address family specific configurations. <ul style="list-style-type: none"> <li>The example creates an IPv4 unicast address family session.</li> </ul>
<b>Step 5</b>	<b>bgp suppress-inactive</b> <b>Example:</b> <code>Router(config-router-af)# bgp suppress-inactive</code>	Suppresses BGP advertising of inactive routes. <ul style="list-style-type: none"> <li>BGP advertises inactive routes by default.</li> <li>Entering the <b>no</b> form of this command reenables the advertisement of inactive routes.</li> </ul>
<b>Step 6</b>	<b>end</b> <b>Example:</b> <code>Router(config-router-af)# end</code>	Exits address family configuration mode and enters privileged EXEC mode.
<b>Step 7</b>	<b>show ip bgp rib-failure</b> <b>Example:</b> <code>Router# show ip bgp rib-failure</code>	(Optional) Displays BGP routes that are not installed in the RIB.

### Examples

The following example shows output from the **show ip bgp rib-failure** command displaying routes that are not installed in the RIB. The output shows that the displayed routes were not installed because a route or routes with a better administrative distance already exist in the RIB.

```
Router# show ip bgp rib-failure

Network          Next Hop          RIB-failure      RIB-NH Matches
10.1.15.0/24     10.1.35.5        Higher admin distance  n/a
10.1.16.0/24     10.1.15.1        Higher admin distance  n/a
```

## Conditionally Advertising BGP Routes

Perform this task to conditionally advertise selected BGP routes. The routes or prefixes that will be conditionally advertised are defined in two route maps: an advertise map and either an exist map or nonexist map. The route map associated with the exist map or nonexist map specifies the prefix that the BGP speaker will track. The

route map associated with the advertise map specifies the prefix that will be advertised to the specified neighbor when the condition is met.

- If a prefix is found to be present in the exist map by the BGP speaker, the prefix specified by the advertise map is advertised.
- If a prefix is found not to be present in the nonexist map by the BGP speaker, the prefix specified by the advertise map is advertised.

If the condition is not met, the route is withdrawn and conditional advertisement does not occur. All routes that may be dynamically advertised or not advertised must exist in the BGP routing table in order for conditional advertisement to occur. These routes are referenced from an access list or an IP prefix list. Note, when configuring an advertise-map, ensure that BGP attributes are set within the advertise-map and not in a separate route-map.

## SUMMARY STEPS

1. **enable**
2. **configure terminal**
3. **router bgp** *autonomous-system-number*
4. **neighbor** {*ip-address* | *peer-group-name*} **remote-as** *autonomous-system-number*
5. **neighbor** *ip-address* **advertise-map** *map-name* {**exist-map** *map-name* | **non-exist-map** *map-name*}
6. **exit**
7. **route-map** *map-tag* [**permit** | **deny**] [**sequence-number**]
8. **match ip address** {*access-list-number* [*access-list-number...* | *access-list-name...*] | *access-list-name* [*access-list-number...* | *access-list-name*] | **prefix-list** *prefix-list-name* [*prefix-list-name...*]}
9. **exit**
10. **route-map** *map-tag* [**permit** | **deny**] [*sequence-number*]
11. **match ip address** {*access-list-number* [*access-list-number...* | *access-list-name...*] | *access-list-name* [*access-list-number...* | *access-list-name*] | **prefix-list** *prefix-list-name* [*prefix-list-name...*]}
12. **exit**
13. **access-list** *access-list-number* {**deny** | **permit**} *source* [*source-wildcard*] [**log**]
14. **access-list** *access-list-number* {**deny** | **permit**} *source* [*source-wildcard*] [**log**]
15. **exit**

## DETAILED STEPS

	Command or Action	Purpose
<b>Step 1</b>	<b>enable</b> <b>Example:</b> Device> enable	Enables privileged EXEC mode. <ul style="list-style-type: none"> <li>• Enter your password if prompted.</li> </ul>
<b>Step 2</b>	<b>configure terminal</b> <b>Example:</b> Device# configure terminal	Enters global configuration mode.

	Command or Action	Purpose
Step 3	<b>router bgp</b> <i>autonomous-system-number</i> <b>Example:</b> Device(config)# router bgp 45000	Enters router configuration mode for the specified routing process.
Step 4	<b>neighbor</b> { <i>ip-address</i>   <i>peer-group-name</i> } <b>remote-as</b> <i>autonomous-system-number</i> <b>Example:</b> Device(config-router)# neighbor 192.168.1.2 remote-as 40000	Adds the IP address of the neighbor in the specified autonomous system to the IPv4 multiprotocol BGP neighbor table of the local device.
Step 5	<b>neighbor</b> <i>ip-address</i> <b>advertise-map</b> <i>map-name</i> { <b>exist-map</b> <i>map-name</i>   <b>non-exist-map</b> <i>map-name</i> } <b>Example:</b> Device(config-router)# neighbor 192.168.1.2 advertise-map map1 exist-map map2	Adds the IP address of the neighbor in the specified autonomous system to the IPv4 multiprotocol BGP neighbor table of the local device. <ul style="list-style-type: none"> <li>In this example, the prefix (172.17.0.0) matching the ACL in the advertise map (the route map named map1) will be advertised to the neighbor only when a prefix (192.168.50.0) matching the ACL in exist map (the route-map named map2) is in the local BGP table.</li> </ul>
Step 6	<b>exit</b> <b>Example:</b> Device(config-router)# exit	Exits router configuration mode and enters global configuration mode.
Step 7	<b>route-map</b> <i>map-tag</i> [ <b>permit</b>   <b>deny</b> ] [ <i>sequence-number</i> ] <b>Example:</b> Device(config)# route-map map1 permit 10	Configures a route map and enters route map configuration mode. <ul style="list-style-type: none"> <li>In this example, a route map named map1 is created.</li> </ul>
Step 8	<b>match ip address</b> { <i>access-list-number</i> [ <i>access-list-number...</i>   <i>access-list-name...</i> ]   <i>access-list-name</i> [ <i>access-list-number...</i>   <i>access-list-name</i> ]   <b>prefix-list</b> <i>prefix-list-name</i> [ <i>prefix-list-name...</i> ] } <b>Example:</b> Device(config-route-map)# match ip address 1	Configures the route map to match a prefix that is permitted by a standard access list, an extended access list, or a prefix list. <ul style="list-style-type: none"> <li>In this example, the route map is configured to match a prefix permitted by access list 1.</li> </ul>
Step 9	<b>exit</b> <b>Example:</b> Device(config-route-map)# exit	Exits route map configuration mode and enters global configuration mode.
Step 10	<b>route-map</b> <i>map-tag</i> [ <b>permit</b>   <b>deny</b> ] [ <i>sequence-number</i> ] <b>Example:</b>	Configures a route map and enters route map configuration mode.

	Command or Action	Purpose
	<pre>Device(config)# route-map map2 permit 10</pre>	<ul style="list-style-type: none"> <li>In this example, a route map named map2 is created.</li> </ul>
<b>Step 11</b>	<p><b>match ip address</b> {<i>access-list-number</i> [<i>access-list-number...</i>   <i>access-list-name...</i>]   <i>access-list-name</i> [<i>access-list-number...</i>   <i>access-list-name</i>]   <b>prefix-list</b> <i>prefix-list-name</i> [<i>prefix-list-name...</i>]}</p> <p><b>Example:</b></p> <pre>Device(config-route-map)# match ip address 2</pre>	<p>Configures the route map to match a prefix that is permitted by a standard access list, an extended access list, or a prefix list.</p> <ul style="list-style-type: none"> <li>In this example, the route map is configured to match a prefix permitted by access list 2.</li> </ul>
<b>Step 12</b>	<p><b>exit</b></p> <p><b>Example:</b></p> <pre>Device(config-route-map)# exit</pre>	Exits route map configuration mode and enters global configuration mode.
<b>Step 13</b>	<p><b>access-list</b> <i>access-list-number</i> {<b>deny</b>   <b>permit</b>} <i>source</i> [<i>source-wildcard</i>] [<b>log</b>]</p> <p><b>Example:</b></p> <pre>Device(config)# access-list 1 permit 172.17.0.0</pre>	<p>Configures a standard access list.</p> <ul style="list-style-type: none"> <li>In this example, access list 1 permits advertising of the 172.17.0.0 prefix, depending on other conditions set by the <b>neighbor advertise-map</b> command.</li> </ul>
<b>Step 14</b>	<p><b>access-list</b> <i>access-list-number</i> {<b>deny</b>   <b>permit</b>} <i>source</i> [<i>source-wildcard</i>] [<b>log</b>]</p> <p><b>Example:</b></p> <pre>Device(config)# access-list 2 permit 192.168.50.0</pre>	<p>Configures a standard access list.</p> <ul style="list-style-type: none"> <li>In this example, access list 2 permits the 192.168.50.0 to be the prefix of the exist-map.</li> </ul>
<b>Step 15</b>	<p><b>exit</b></p> <p><b>Example:</b></p> <pre>Device(config)# exit</pre>	Exits global configuration mode and returns to privileged EXEC mode.

## Originating BGP Routes

Route aggregation is useful to minimize the size of the BGP table, but there are situations when you want to add more specific prefixes to the BGP table. Route aggregation can hide more specific routes. Using the **network** command as shown in the “Configuring a BGP Routing Process” section originates routes, and the following optional tasks originate BGP routes for the BGP table for different situations.

### Advertising a Default Route Using BGP

Perform this task to advertise a default route to BGP peers. The default route is locally originated. A default route can be useful to simplify configuration or to prevent the device from using too many system resources. If the device is peered with an Internet service provider (ISP), the ISP will carry full routing tables, so configuring a default route into the ISP network saves resources at the local device.

## SUMMARY STEPS

1. **enable**
2. **configure terminal**
3. **ip prefix-list** *list-name* [**seq** *seq-value*] {**deny** *network / length* | **permit** *network / length*} [**ge** *ge-value*] [**le** *le-value*]
4. **route-map** *map-tag* [**permit** | **deny**] [*sequence-number*]
5. **match ip address** {*access-list-number* [*access-list-number...* | *access-list-name...*] | *access-list-name* [*access-list-number...* | *access-list-name*] | **prefix-list** *prefix-list-name* [*prefix-list-name...*]}
6. **exit**
7. **router bgp** *autonomous-system-number*
8. **neighbor** {*ip-address* | *peer-group-name*} **default-originate** [**route-map** *map-name*]
9. **end**

## DETAILED STEPS

	Command or Action	Purpose
<b>Step 1</b>	<b>enable</b> <b>Example:</b> Device> enable	Enables privileged EXEC mode. <ul style="list-style-type: none"> <li>• Enter your password if prompted.</li> </ul>
<b>Step 2</b>	<b>configure terminal</b> <b>Example:</b> Device# configure terminal	Enters global configuration mode.
<b>Step 3</b>	<b>ip prefix-list</b> <i>list-name</i> [ <b>seq</b> <i>seq-value</i> ] { <b>deny</b> <i>network / length</i>   <b>permit</b> <i>network / length</i> } [ <b>ge</b> <i>ge-value</i> ] [ <b>le</b> <i>le-value</i> ] <b>Example:</b> Device(config)# ip prefix-list DEFAULT permit 10.1.1.0/24	Configures an IP prefix list. <ul style="list-style-type: none"> <li>• In this example, prefix list DEFAULT permits advertising of the 10.1.1.0/24. prefix depending on a match set by the <b>match ip address</b> command.</li> </ul>
<b>Step 4</b>	<b>route-map</b> <i>map-tag</i> [ <b>permit</b>   <b>deny</b> ] [ <i>sequence-number</i> ] <b>Example:</b> Device(config)# route-map ROUTE	Configures a route map and enters route map configuration mode. <ul style="list-style-type: none"> <li>• In this example, a route map named ROUTE is created.</li> </ul>
<b>Step 5</b>	<b>match ip address</b> { <i>access-list-number</i> [ <i>access-list-number...</i>   <i>access-list-name...</i> ]   <i>access-list-name</i> [ <i>access-list-number...</i>   <i>access-list-name</i> ]   <b>prefix-list</b> <i>prefix-list-name</i> [ <i>prefix-list-name...</i> ]} <b>Example:</b> Device(config-route-map)# match ip address prefix-list DEFAULT	Configures the route map to match a prefix that is permitted by a standard access list, an extended access list, or a prefix list. <ul style="list-style-type: none"> <li>• In this example, the route map is configured to match a prefix permitted by prefix list DEFAULT.</li> </ul>

	Command or Action	Purpose
<b>Step 6</b>	<b>exit</b> <b>Example:</b>  Device(config-route-map)# exit	Exits route map configuration mode and enters global configuration mode.
<b>Step 7</b>	<b>router bgp</b> <i>autonomous-system-number</i> <b>Example:</b>  Device(config)# router bgp 40000	Enters router configuration mode for the specified routing process.
<b>Step 8</b>	<b>neighbor</b> { <i>ip-address</i>   <i>peer-group-name</i> } <b>default-originate</b> [ <b>route-map</b> <i>map-name</i> ] <b>Example:</b>  Device(config-router)# neighbor 192.168.3.2 default-originate	(Optional) Permits a BGP speaker--the local device--to send the default route 0.0.0.0 to a peer for use as a default route.
<b>Step 9</b>	<b>end</b> <b>Example:</b>  Device(config-router)# end	Exits router configuration mode and enters privileged EXEC mode.

### Troubleshooting Tips

Use the **show ip route** command on the receiving BGP peer (not on the local router) to verify that the default route has been set. In the output, verify that a line similar to the following showing the default route 0.0.0.0 is present:

```
B* 0.0.0.0/0 [20/0] via 192.168.1.2, 00:03:10
```

## Conditionally Injecting BGP Routes

Use this task to inject more specific prefixes into a BGP routing table over less specific prefixes that were selected through normal route aggregation. These more specific prefixes can be used to provide a finer granularity of traffic engineering or administrative control than is possible with aggregated routes. For more information, see the “Conditional BGP Route Injection” section.

### Before you begin

This task assumes that the IGP is already configured for the BGP peers.

### SUMMARY STEPS

1. **enable**
2. **configure terminal**
3. **router bgp** *autonomous-system-number*
4. **bgp inject-map** *inject-map-name* **exist-map** *exist-map-name* [**copy-attributes**]
5. **exit**

6. **route-map** *map-tag* [**permit** | **deny**] [*sequence-number*]
7. **match ip address** {*access-list-number* [*access-list-number...* | *access-list-name...*] | *access-list-name* [*access-list-number...* | *access-list-name*] | **prefix-list** *prefix-list-name* [*prefix-list-name...*]}
8. **match ip route-source** {*access-list-number* | *access-list-name*} [*access-list-number...* | *access-list-name...*]
9. **exit**
10. **route-map** *map-tag* [**permit** | **deny**] [*sequence-number*]
11. **set ip address** {*access-list-number* [*access-list-number...* | *access-list-name...*] | *access-list-name* [*access-list-number...* | *access-list-name*] | **prefix-list** *prefix-list-name* [*prefix-list-name...*]}
12. **set community** {*community-number* [**additive**] [*well-known-community*] | **none**}
13. **exit**
14. **ip prefix-list** *list-name* [**seq** *seq-value*] {**deny** *network/length* | **permit** *network/length*} [**ge** *ge-value*] [**le** *le-value*]
15. Repeat Step 14 for every prefix list to be created.
16. **exit**
17. **show ip bgp injected-paths**

**DETAILED STEPS**

	Command or Action	Purpose
<b>Step 1</b>	<b>enable</b>  <b>Example:</b>  Router> enable	Enables privileged EXEC mode.  • Enter your password if prompted.
<b>Step 2</b>	<b>configure terminal</b>  <b>Example:</b>  Router# configure terminal	Enters global configuration mode.
<b>Step 3</b>	<b>router bgp</b> <i>autonomous-system-number</i>  <b>Example:</b>  Router(config)# router bgp 40000	Enters router configuration mode for the specified routing process.
<b>Step 4</b>	<b>bgp inject-map</b> <i>inject-map-name</i> <b>exist-map</b> <i>exist-map-name</i> [ <b>copy-attributes</b> ]  <b>Example:</b>  Router(config-router)# bgp inject-map ORIGINATE exist-map LEARNED_PATH	Specifies the inject map and the exist map for conditional route injection.  • Use the <b>copy-attributes</b> keyword to specify that the injected route inherit the attributes of the aggregate route.
<b>Step 5</b>	<b>exit</b>  <b>Example:</b>  Router(config-router)# exit	Exits router configuration mode and enters global configuration mode.

	Command or Action	Purpose
<b>Step 6</b>	<p><b>route-map</b> <i>map-tag</i> [<b>permit</b>   <b>deny</b>] [<i>sequence-number</i>]</p> <p><b>Example:</b></p> <pre>Router(config)# route-map LEARNED_PATH permit 10</pre>	Configures a route map and enters route map configuration mode.
<b>Step 7</b>	<p><b>match ip address</b> {<i>access-list-number</i> [<i>access-list-number...</i>   <i>access-list-name...</i>]   <i>access-list-name</i> [<i>access-list-number...</i>   <i>access-list-name</i>]   <b>prefix-list</b> <i>prefix-list-name</i> [<i>prefix-list-name...</i>]}</p> <p><b>Example:</b></p> <pre>Router(config-route-map)# match ip address prefix-list SOURCE</pre>	<p>Specifies the aggregate route to which a more specific route will be injected.</p> <ul style="list-style-type: none"> <li>In this example, the prefix list named SOURCE is used to redistribute the source of the route.</li> </ul>
<b>Step 8</b>	<p><b>match ip route-source</b> {<i>access-list-number</i>   <i>access-list-name</i>} [<i>access-list-number...</i>   <i>access-list-name...</i>]</p> <p><b>Example:</b></p> <pre>Router(config-route-map)# match ip route-source prefix-list ROUTE_SOURCE</pre>	<p>Specifies the match conditions for redistributing the source of the route.</p> <ul style="list-style-type: none"> <li>In this example, the prefix list named ROUTE_SOURCE is used to redistribute the source of the route.</li> </ul> <p><b>Note</b> The route source is the neighbor address that is configured with the <b>neighbor remote-as</b> command. The tracked prefix must come from this neighbor in order for conditional route injection to occur.</p>
<b>Step 9</b>	<p><b>exit</b></p> <p><b>Example:</b></p> <pre>Router(config-route-map)# exit</pre>	Exits route map configuration mode and enters global configuration mode.
<b>Step 10</b>	<p><b>route-map</b> <i>map-tag</i> [<b>permit</b>   <b>deny</b>] [<i>sequence-number</i>]</p> <p><b>Example:</b></p> <pre>Router(config)# route-map ORIGINATE permit 10</pre>	Configures a route map and enters route map configuration mode.
<b>Step 11</b>	<p><b>set ip address</b> {<i>access-list-number</i> [<i>access-list-number...</i>   <i>access-list-name...</i>]   <i>access-list-name</i> [<i>access-list-number...</i>   <i>access-list-name</i>]   <b>prefix-list</b> <i>prefix-list-name</i> [<i>prefix-list-name...</i>]}</p> <p><b>Example:</b></p> <pre>Router(config-route-map)# set ip address prefix-list ORIGINATED_ROUTES</pre>	<p>Specifies the routes to be injected.</p> <ul style="list-style-type: none"> <li>In this example, the prefix list named originated_routes is used to redistribute the source of the route.</li> </ul>
<b>Step 12</b>	<p><b>set community</b> {<i>community-number</i> [<b>additive</b>] [<i>well-known-community</i>]   <b>none</b>}</p>	Sets the BGP community attribute of the injected route.



	Command or Action	Purpose
	<p><b>Example:</b></p> <pre>Router(config-route-map)# set community 14616:555 additive</pre>	
<b>Step 13</b>	<p><b>exit</b></p> <p><b>Example:</b></p> <pre>Router(config-route-map)# exit</pre>	Exits route map configuration mode and enters global configuration mode.
<b>Step 14</b>	<p><b>ip prefix-list list-name [seq seq-value] {deny network/length   permit network/length} [ge ge-value] [le le-value]</b></p> <p><b>Example:</b></p> <pre>Router(config)# ip prefix-list SOURCE permit 10.1.1.0/24</pre>	<p>Configures a prefix list.</p> <ul style="list-style-type: none"> <li>In this example, the prefix list named SOURCE is configured to permit routes from network 10.1.1.0/24.</li> </ul>
<b>Step 15</b>	Repeat Step 14 for every prefix list to be created.	--
<b>Step 16</b>	<p><b>exit</b></p> <p><b>Example:</b></p> <pre>Router(config)# exit</pre>	Exits global configuration mode and returns to privileged EXEC mode.
<b>Step 17</b>	<p><b>show ip bgp injected-paths</b></p> <p><b>Example:</b></p> <pre>Router# show ip bgp injected-paths</pre>	(Optional) Displays information about injected paths.

**Examples**

The following sample output is similar to the output that will be displayed when the **show ip bgp injected-paths** command is entered:

```
Router# show ip bgp injected-paths

BGP table version is 11, local router ID is 10.0.0.1
Status codes: s suppressed, d damped, h history, * valid, > best, i -
internal
Origin codes: i - IGP, e - EGP, ? - incomplete
   Network          Next Hop           Metric LocPrf Weight Path
*> 172.16.0.0       10.0.0.2              0 ?
*> 172.17.0.0/16    10.0.0.2              0 ?
```

**Troubleshooting Tips**

BGP conditional route injection is based on the injection of a more specific prefix into the BGP routing table when a less specific prefix is present. If conditional route injection is not working properly, verify the following:

- If conditional route injection is configured but does not occur, verify the existence of the aggregate prefix in the BGP routing table. The existence (or not) of the tracked prefix in the BGP routing table can be verified with the **show ip bgp** command.
- If the aggregate prefix exists but conditional route injection does not occur, verify that the aggregate prefix is being received from the correct neighbor and the prefix list identifying that neighbor is a /32 match.
- Verify the injection (or not) of the more specific prefix using the **show ip bgp injected-paths** command.
- Verify that the prefix that is being injected is not outside of the scope of the aggregate prefix.
- Ensure that the inject route map is configured with the **set ip address** command and not the **match ip address** command.

## Originating BGP Routes Using Backdoor Routes

Use this task to indicate to border devices which networks are reachable using a backdoor route. A backdoor network is treated the same as a local network, except that it is not advertised. For more information, see the BGP Backdoor Routes section.

### Before you begin

This task assumes that the IGP (EIGRP, in this example) is already configured for the BGP peers. The configuration is done at Router B in the in the “BGP Backdoor Routes” section, and the BGP peer is Router D.

### SUMMARY STEPS

1. **enable**
2. **configure terminal**
3. **router bgp** *autonomous-system-number*
4. **neighbor** *ip-address* **remote-as** *autonomous-system-number*
5. **network** *ip-address* **backdoor**
6. **end**

### DETAILED STEPS

	Command or Action	Purpose
<b>Step 1</b>	<b>enable</b> <b>Example:</b> Device> enable	Enables privileged EXEC mode. <ul style="list-style-type: none"> <li>• Enter your password if prompted.</li> </ul>
<b>Step 2</b>	<b>configure terminal</b> <b>Example:</b> Device# configure terminal	Enters global configuration mode.
<b>Step 3</b>	<b>router bgp</b> <i>autonomous-system-number</i> <b>Example:</b>	Enters router configuration mode for the specified routing process.

	Command or Action	Purpose
	Device(config)# router bgp 45000	
<b>Step 4</b>	<p><b>neighbor</b> <i>ip-address</i> <b>remote-as</b> <i>autonomous-system-number</i></p> <p><b>Example:</b></p> <pre>Device(config-router)# neighbor 172.22.1.2 remote-as 45000</pre>	<p>Adds the IP address of the neighbor in the specified autonomous system to the multiprotocol BGP neighbor table of the local device.</p> <ul style="list-style-type: none"> <li>In this example, the peer is an internal peer as the autonomous system number specified for the peer is the same number specified in Step 3.</li> </ul>
<b>Step 5</b>	<p><b>network</b> <i>ip-address</i> <b>backdoor</b></p> <p><b>Example:</b></p> <pre>Device(config-router)# network 172.21.1.0 backdoor</pre>	Indicates a network that is reachable through a backdoor route.
<b>Step 6</b>	<p><b>end</b></p> <p><b>Example:</b></p> <pre>Device(config-router)# end</pre>	Exits router configuration mode and returns to privileged EXEC mode.

## Configuring a BGP Peer Group

This task explains how to configure a BGP peer group. Often, in a BGP speaker, many neighbors are configured with the same update policies (that is, the same outbound route maps, distribute lists, filter lists, update source, and so on). Neighbors with the same update policies can be grouped into peer groups to simplify configuration and, more importantly, to make updating more efficient. When you have many peers, this approach is highly recommended.

The three steps to configure a BGP peer group, described in the following task, are as follows:

- Creating the peer group
- Assigning options to the peer group
- Making neighbors members of the peer group

You can disable a BGP peer or peer group without removing all the configuration information using the **neighbor shutdown** router configuration command.



**Note** By default, neighbors that are defined using the **neighbor remote-as** command in router configuration mode exchange only IPv4 unicast address prefixes. To exchange other address prefix types, such as IPv6 prefixes, neighbors must also be activated using the **neighbor activate** command in address family configuration mode for the other prefix types.

### SUMMARY STEPS

1. **enable**

2. **configure terminal**
3. **router bgp** *autonomous-system-number*
4. **neighbor** *peer-group-name* **peer-group**
5. **neighbor** *ip-address* **remote-as** *autonomous-system-number*
6. **neighbor** *ip-address* **peer-group** *peer-group-name*
7. **address-family ipv4** [**unicast** | **multicast** | **vrf** *vrf-name*]
8. **neighbor** *peer-group-name* **activate**
9. **neighbor** *ip-address* **peer-group** *peer-group-name*
10. **end**

## DETAILED STEPS

	Command or Action	Purpose
<b>Step 1</b>	<b>enable</b> <b>Example:</b> Device> enable	Enables privileged EXEC mode. <ul style="list-style-type: none"> <li>• Enter your password if prompted.</li> </ul>
<b>Step 2</b>	<b>configure terminal</b> <b>Example:</b> Device# configure terminal	Enters global configuration mode.
<b>Step 3</b>	<b>router bgp</b> <i>autonomous-system-number</i> <b>Example:</b> Device(config)# router bgp 40000	Enters router configuration mode for the specified routing process.
<b>Step 4</b>	<b>neighbor</b> <i>peer-group-name</i> <b>peer-group</b> <b>Example:</b> Device(config-router)# neighbor fingroup peer-group	Creates a BGP peer group.
<b>Step 5</b>	<b>neighbor</b> <i>ip-address</i> <b>remote-as</b> <i>autonomous-system-number</i> <b>Example:</b> Device(config-router)# neighbor 192.168.1.1 remote-as 45000	Adds the IP address of the neighbor in the specified autonomous system to the multiprotocol BGP neighbor table of the local device.
<b>Step 6</b>	<b>neighbor</b> <i>ip-address</i> <b>peer-group</b> <i>peer-group-name</i> <b>Example:</b> Device(config-router)# neighbor 192.168.1.1 peer-group fingroup	Assigns the IP address of a BGP neighbor to a peer group.

	Command or Action	Purpose
Step 7	<p><b>address-family ipv4</b> [<b>unicast</b>   <b>multicast</b>   <b>vrf vrf-name</b>]</p> <p><b>Example:</b></p> <pre>Device(config-router)# address-family ipv4 multicast</pre>	<p>Specifies the IPv4 address family and enters address family configuration mode.</p> <ul style="list-style-type: none"> <li>The <b>unicast</b> keyword specifies the IPv4 unicast address family. This is the default.</li> <li>The <b>multicast</b> keyword specifies that IPv4 multicast address prefixes will be exchanged.</li> <li>The <b>vrf</b> keyword and <i>vrf-name</i> argument specify that IPv4 VRF instance information will be exchanged.</li> </ul>
Step 8	<p><b>neighbor peer-group-name activate</b></p> <p><b>Example:</b></p> <pre>Device(config-router-af)# neighbor fingroup activate</pre>	<p>Enables the neighbor to exchange prefixes for the IPv4 address family with the local device.</p> <p><b>Note</b> By default, neighbors that are defined using the <b>neighbor remote-as</b> command in router configuration mode exchange only unicast address prefixes. To allow BGP to exchange other address prefix types, such as multicast that is configured in this example, neighbors must also be activated using the <b>neighbor activate</b> command.</p>
Step 9	<p><b>neighbor ip-address peer-group peer-group-name</b></p> <p><b>Example:</b></p> <pre>Device(config-router-af)# neighbor 192.168.1.1 peer-group fingroup</pre>	<p>Assigns the IP address of a BGP neighbor to a peer group.</p>
Step 10	<p><b>end</b></p> <p><b>Example:</b></p> <pre>Device(config-router-af)# end</pre>	<p>Exits address family configuration mode and returns to privileged EXEC mode.</p>

## Configuring Peer Session Templates

The following tasks create and configure a peer session template:

### Configuring a Basic Peer Session Template

Perform this task to create a basic peer session template with general BGP routing session commands that can be applied to many neighbors using one of the next two tasks.



**Note** The commands in Step 5 and 6 are optional and could be replaced with any supported general session commands.



**Note** The following restrictions apply to the peer session templates:

- A peer session template can directly inherit only one session template, and each inherited session template can also contain one indirectly inherited session template. So, a neighbor or neighbor group can be configured with only one directly applied peer session template and seven additional indirectly inherited peer session templates.
- A BGP neighbor cannot be configured to work with both peer groups and peer templates. A BGP neighbor can be configured to belong only to a peer group or to inherit policies only from peer templates.

## SUMMARY STEPS

1. **enable**
2. **configure terminal**
3. **router bgp** *autonomous-system-number*
4. **template peer-session** *session-template-name*
5. **remote-as** *autonomous-system-number*
6. **timers** *keepalive-interval hold-time*
7. **end**
8. **show ip bgp template peer-session** [*session-template-name*]

## DETAILED STEPS

	Command or Action	Purpose
<b>Step 1</b>	<b>enable</b> <b>Example:</b> <pre>Router&gt; enable</pre>	Enables privileged EXEC mode. <ul style="list-style-type: none"> <li>• Enter your password if prompted.</li> </ul>
<b>Step 2</b>	<b>configure terminal</b> <b>Example:</b> <pre>Router# configure terminal</pre>	Enters global configuration mode.
<b>Step 3</b>	<b>router bgp</b> <i>autonomous-system-number</i> <b>Example:</b> <pre>Router(config)# router bgp 101</pre>	Enters router configuration mode and creates a BGP routing process.
<b>Step 4</b>	<b>template peer-session</b> <i>session-template-name</i> <b>Example:</b> <pre>Router(config-router)# template peer-session INTERNAL-BGP</pre>	Enters session-template configuration mode and creates a peer session template.
<b>Step 5</b>	<b>remote-as</b> <i>autonomous-system-number</i> <b>Example:</b>	(Optional) Configures peering with a remote neighbor in the specified autonomous system.

	Command or Action	Purpose
	<code>Router(config-router-stmp)# remote-as 202</code>	<b>Note</b> Any supported general session command can be used here. For a list of the supported commands, see the “Restrictions” section.
<b>Step 6</b>	<b>timers</b> <i>keepalive-interval hold-time</i> <b>Example:</b> <code>Router(config-router-stmp)# timers 30 300</code>	(Optional) Configures BGP keepalive and hold timers. <ul style="list-style-type: none"> <li>The hold time must be at least twice the keepalive time.</li> </ul> <b>Note</b> Any supported general session command can be used here. For a list of the supported commands, see the “Restrictions” section.
<b>Step 7</b>	<b>end</b> <b>Example:</b> <code>Router(config-router)# end</code>	Exits session-template configuration mode and returns to privileged EXEC mode.
<b>Step 8</b>	<b>show ip bgp template peer-session</b> <i>[session-template-name]</i> <b>Example:</b> <code>Router# show ip bgp template peer-session</code>	Displays locally configured peer session templates. <ul style="list-style-type: none"> <li>The output can be filtered to display a single peer policy template with the <i>session-template-name</i> argument. This command also supports all standard output modifiers.</li> </ul>

### What to Do Next

After the peer session template is created, the configuration of the peer session template can be inherited or applied by another peer session template with the **inherit peer-session** or **neighbor inherit peer-session** command.

## Configuring Peer Session Template Inheritance with the **inherit peer-session** Command

This task configures peer session template inheritance with the **inherit peer-session** command. It creates and configures a peer session template and allows it to inherit a configuration from another peer session template.



**Note** The commands in Steps 5 and 6 are optional and could be replaced with any supported general session commands.

### SUMMARY STEPS

- enable**
- configure terminal**
- router bgp** *autonomous-system-number*
- template peer-session** *session-template-name*
- description** *text-string*
- update-source** *interface-type interface-number*
- inherit peer-session** *session-template-name*

8. end
9. show ip bgp template peer-session [session-template-name]

## DETAILED STEPS

	Command or Action	Purpose
<b>Step 1</b>	<b>enable</b> <b>Example:</b> Router> enable	Enables privileged EXEC mode. <ul style="list-style-type: none"> <li>• Enter your password if prompted.</li> </ul>
<b>Step 2</b>	<b>configure terminal</b> <b>Example:</b> Router# configure terminal	Enters global configuration mode.
<b>Step 3</b>	<b>router bgp</b> <i>autonomous-system-number</i> <b>Example:</b> Router(config)# router bgp 101	Enters router configuration mode and creates a BGP routing process.
<b>Step 4</b>	<b>template peer-session</b> <i>session-template-name</i> <b>Example:</b> Router(config-router)# template peer-session CORE1	Enter session-template configuration mode and creates a peer session template.
<b>Step 5</b>	<b>description</b> <i>text-string</i> <b>Example:</b> Router(config-router-stmp)# description CORE-123	(Optional) Configures a description. <ul style="list-style-type: none"> <li>• The text string can be up to 80 characters.</li> </ul> <b>Note</b> Any supported general session command can be used here. For a list of the supported commands, see the “Restrictions” section.
<b>Step 6</b>	<b>update-source</b> <i>interface-type interface-number</i> <b>Example:</b> Router(config-router-stmp)# update-source loopback 1	(Optional) Configures a router to select a specific source or interface to receive routing table updates. <ul style="list-style-type: none"> <li>• The example uses a loopback interface. The advantage to this configuration is that the loopback interface is not as susceptible to the effects of a flapping interface.</li> </ul> <b>Note</b> Any supported general session command can be used here. For a list of the supported commands, see the “Restrictions” section.
<b>Step 7</b>	<b>inherit peer-session</b> <i>session-template-name</i> <b>Example:</b>	Configures this peer session template to inherit the configuration of another peer session template. <ul style="list-style-type: none"> <li>• The example configures this peer session template to inherit the configuration from INTERNAL-BGP. This</li> </ul>



	Command or Action	Purpose
	<pre>Router(config-router-stmp)# inherit peer-session INTERNAL-BGP</pre>	template can be applied to a neighbor, and the configuration INTERNAL-BGP will be applied indirectly. No additional peer session templates can be directly applied. However, the directly inherited template can contain up to seven indirectly inherited peer session templates.
<b>Step 8</b>	<p><b>end</b></p> <p><b>Example:</b></p> <pre>Router(config-router)# end</pre>	Exits session-template configuration mode and enters privileged EXEC mode.
<b>Step 9</b>	<p><b>show ip bgp template peer-session</b> [<i>session-template-name</i>]</p> <p><b>Example:</b></p> <pre>Router# show ip bgp template peer-session</pre>	<p>Displays locally configured peer session templates.</p> <ul style="list-style-type: none"> <li>The output can be filtered to display a single peer policy template with the optional <i>session-template-name</i> argument. This command also supports all standard output modifiers.</li> </ul>

### What to Do Next

After the peer session template is created, the configuration of the peer session template can be inherited or applied by another peer session template with the **inherit peer-session** or **neighbor inherit peer-session** command.

## Configuring Peer Session Template Inheritance with the **neighbor inherit peer-session** Command

This task configures a router to send a peer session template to a neighbor to inherit the configuration from the specified peer session template with the **neighbor inherit peer-session** command. Use the following steps to send a peer session template configuration to a neighbor to inherit.

### SUMMARY STEPS

- enable**
- configure terminal**
- router bgp** *autonomous-system-number*
- neighbor** *ip-address* **remote-as** *autonomous-system-number*
- neighbor** *ip-address* **inherit peer-session** *session-template-name*
- end**
- show ip bgp template peer-session** [*session-template-name*]

### DETAILED STEPS

	Command or Action	Purpose
<b>Step 1</b>	<p><b>enable</b></p> <p><b>Example:</b></p> <pre>Router&gt; enable</pre>	<p>Enables privileged EXEC mode.</p> <ul style="list-style-type: none"> <li>Enter your password if prompted.</li> </ul>

	Command or Action	Purpose
<b>Step 2</b>	<b>configure terminal</b> <b>Example:</b>  Router# configure terminal	Enters global configuration mode.
<b>Step 3</b>	<b>router bgp</b> <i>autonomous-system-number</i> <b>Example:</b>  Router(config)# router bgp 101	Enters router configuration mode and creates a BGP routing process.
<b>Step 4</b>	<b>neighbor</b> <i>ip-address</i> <b>remote-as</b> <i>autonomous-system-number</i> <b>Example:</b>  Router(config-router)# neighbor 172.16.0.1 remote-as 202	Configures a peering session with the specified neighbor. <ul style="list-style-type: none"> <li>The explicit <b>remote-as</b> statement is required for the neighbor inherit statement in Step 5 to work. If a peering is not configured, the specified neighbor in Step 5 will not accept the session template.</li> </ul>
<b>Step 5</b>	<b>neighbor</b> <i>ip-address</i> <b>inherit peer-session</b> <i>session-template-name</i> <b>Example:</b>  Router(config-router)# neighbor 172.16.0.1 inherit peer-session CORE1	Sends a peer session template to a neighbor so that the neighbor can inherit the configuration. <ul style="list-style-type: none"> <li>The example configures a router to send the peer session template named CORE1 to the 172.16.0.1 neighbor to inherit. This template can be applied to a neighbor, and if another peer session template is indirectly inherited in CORE1, the indirectly inherited configuration will also be applied. No additional peer session templates can be directly applied. However, the directly inherited template can also inherit up to seven additional indirectly inherited peer session templates.</li> </ul>
<b>Step 6</b>	<b>end</b> <b>Example:</b>  Router(config-router)# end	Exits router configuration mode and enters privileged EXEC mode.
<b>Step 7</b>	<b>show ip bgp template peer-session</b> <i>[session-template-name]</i> <b>Example:</b>  Router# show ip bgp template peer-session	Displays locally configured peer session templates. <ul style="list-style-type: none"> <li>The output can be filtered to display a single peer policy template with the optional <i>session-template-name</i> argument. This command also supports all standard output modifiers.</li> </ul>

# Configuring Peer Policy Templates

## Configuring Basic Peer Policy Templates

Perform this task to create a basic peer policy template with BGP policy configuration commands that can be applied to many neighbors using one of the next two tasks.



**Note** The commands in Steps 5 through 7 are optional and could be replaced with any supported BGP policy configuration commands.



**Note** The following restrictions apply to the peer policy templates:

- A peer policy template can directly or indirectly inherit up to eight peer policy templates.
- A BGP neighbor cannot be configured to work with both peer groups and peer templates. A BGP neighbor can be configured to belong only to a peer group or to inherit policies only from peer templates.

### SUMMARY STEPS

1. **enable**
2. **configure terminal**
3. **router bgp** *autonomous-system-number*
4. **template peer-policy** *policy-template-name*
5. **maximum-prefix** *prefix-limit* [*threshold*] [**restart** *restart-interval* | **warning-only**]
6. **weight** *weight-value*
7. **prefix-list** *prefix-list-name* {**in** | **out**}
8. **end**

### DETAILED STEPS

	Command or Action	Purpose
Step 1	<b>enable</b> <b>Example:</b> Device> enable	Enables privileged EXEC mode. <ul style="list-style-type: none"> <li>• Enter your password if prompted.</li> </ul>
Step 2	<b>configure terminal</b> <b>Example:</b> Device# configure terminal	Enters global configuration mode.
Step 3	<b>router bgp</b> <i>autonomous-system-number</i> <b>Example:</b>	Enters router configuration mode and creates a BGP routing process.

	Command or Action	Purpose
	Device(config)# router bgp 45000	
<b>Step 4</b>	<b>template peer-policy</b> <i>policy-template-name</i> <b>Example:</b> Device(config-router)# template peer-policy GLOBAL	Enters policy-template configuration mode and creates a peer policy template.
<b>Step 5</b>	<b>maximum-prefix</b> <i>prefix-limit</i> [ <i>threshold</i> ] [ <b>restart</b> <i>restart-interval</i>   <b>warning-only</b> ] <b>Example:</b> Device(config-router-ptmp)# maximum-prefix 10000	(Optional) Configures the maximum number of prefixes that a neighbor will accept from this peer. <b>Note</b> Any supported BGP policy configuration command can be used here. For a list of the supported commands, see the “Peer Policy Templates” section.
<b>Step 6</b>	<b>weight</b> <i>weight-value</i> <b>Example:</b> Device(config-router-ptmp)# weight 300	(Optional) Sets the default weight for routes that are sent from this neighbor. <b>Note</b> Any supported BGP policy configuration command can be used here. For a list of the supported commands, see the “Peer Policy Templates” section.
<b>Step 7</b>	<b>prefix-list</b> <i>prefix-list-name</i> { <b>in</b>   <b>out</b> } <b>Example:</b> Device(config-router-ptmp)# prefix-list NO-MARKETING in	(Optional) Filters prefixes that are received by the router or sent from the router. <ul style="list-style-type: none"> <li>• The prefix list in the example filters inbound internal addresses.</li> </ul> <b>Note</b> Any supported BGP policy configuration command can be used here. For a list of the supported commands, see the “Peer Policy Templates” section.
<b>Step 8</b>	<b>end</b> <b>Example:</b> Device(config-router-ptmp)# end	Exits policy-template configuration mode and returns to privileged EXEC mode.

## What to Do Next

After the peer policy template is created, the configuration of the peer policy template can be inherited or applied by another peer policy template. For details about peer policy inheritance, see the “Configuring Peer Policy Template Inheritance with the inherit peer-policy Command” section or the “Configuring Peer Policy Template Inheritance with the neighbor inherit peer-policy Command” section.

## Configuring Peer Policy Template Inheritance with the inherit peer-policy Command

This task configures peer policy template inheritance using the **inherit peer-policy** command. It creates and configures a peer policy template and allows it to inherit a configuration from another peer policy template.

When BGP neighbors use inherited peer templates, it can be difficult to determine which policies are associated with a specific template. In Cisco IOS Release 12.0(25)S, 12.4(11)T, 12.2(33)SRB, 12.2(33)SB, and later releases, the **detail** keyword was added to the **show ip bgp template peer-policy** command to display the detailed configuration of local and inherited policies associated with a specific template.



**Note** The commands in Steps 5 and 6 are optional and could be replaced with any supported BGP policy configuration commands.

### SUMMARY STEPS

1. **enable**
2. **configure terminal**
3. **router bgp** *autonomous-system-number*
4. **template peer-policy** *policy-template-name*
5. **route-map** *map-name* {**in**|**out**}
6. **inherit peer-policy** *policy-template-name* *sequence-number*
7. **end**
8. **show ip bgp template peer-policy** [*policy-template-name*]**[detail]**

### DETAILED STEPS

	Command or Action	Purpose
Step 1	<b>enable</b> <b>Example:</b>  Router> enable	Enables privileged EXEC mode.  • Enter your password if prompted.
Step 2	<b>configure terminal</b> <b>Example:</b>  Router# configure terminal	Enters global configuration mode.
Step 3	<b>router bgp</b> <i>autonomous-system-number</i> <b>Example:</b>  Router(config)# router bgp 45000	Enters router configuration mode and creates a BGP routing process.
Step 4	<b>template peer-policy</b> <i>policy-template-name</i> <b>Example:</b>  Router(config-router)# template peer-policy NETWORK1	Enter policy-template configuration mode and creates a peer policy template.

	Command or Action	Purpose
<b>Step 5</b>	<p><b>route-map</b> <i>map-name</i> {<b>in</b> <b>out</b>}</p> <p><b>Example:</b></p> <pre>Router(config-router-ptmp)# route-map ROUTE in</pre>	<p>(Optional) Applies the specified route map to inbound or outbound routes.</p> <p><b>Note</b> Any supported BGP policy configuration command can be used here. For a list of the supported commands, see the <a href="#">Configuring Peer Policy Templates, on page 67</a>.</p>
<b>Step 6</b>	<p><b>inherit peer-policy</b> <i>policy-template-name</i> <i>sequence-number</i></p> <p><b>Example:</b></p> <pre>Router(config-router-ptmp)# inherit peer-policy GLOBAL 10</pre>	<p>Configures the peer policy template to inherit the configuration of another peer policy template.</p> <ul style="list-style-type: none"> <li>• The <i>sequence-number</i> argument sets the order in which the peer policy template is evaluated. Like a route map sequence number, the lowest sequence number is evaluated first.</li> <li>• The example configures this peer policy template to inherit the configuration from GLOBAL. If the template created in these steps is applied to a neighbor, the configuration GLOBAL will also be inherited and applied indirectly. Up to six additional peer policy templates can be indirectly inherited from GLOBAL for a total of eight directly applied and indirectly inherited peer policy templates.</li> <li>• This template in the example will be evaluated first if no other templates are configured with a lower sequence number.</li> </ul>
<b>Step 7</b>	<p><b>end</b></p> <p><b>Example:</b></p> <pre>Router(config-router-ptmp)# end</pre>	<p>Exits policy-template configuration mode and returns to privileged EXEC mode.</p>
<b>Step 8</b>	<p><b>show ip bgp template peer-policy</b> <i>[policy-template-name[detail]]</i></p> <p><b>Example:</b></p> <pre>Router# show ip bgp template peer-policy NETWORK1 detail</pre>	<p>Displays locally configured peer policy templates.</p> <ul style="list-style-type: none"> <li>• The output can be filtered to display a single peer policy template with the <i>policy-template-name</i> argument. This command also supports all standard output modifiers.</li> <li>• Use the <b>detail</b> keyword to display detailed policy information.</li> </ul> <p><b>Note</b> The <b>detail</b> keyword is supported only in Cisco IOS Release 12.0(25)S, 12.4(11)T, 12.2(33)SRB, 12.2(33)SB, and later releases.</p>

## Examples

The following sample output of the `show ip bgp template peer-policy` command with the `detail` keyword displays details of the policy named NETWORK1. The output in this example shows that the GLOBAL template was inherited. Details of route map and prefix list configurations are also displayed.

```
Router# show ip bgp template peer-policy NETWORK1 detail
Template:NETWORK1, index:2.
Local policies:0x1, Inherited polices:0x80840
This template inherits:
  GLOBAL, index:1, seq_no:10, flags:0x1
Locally configured policies:
  route-map ROUTE in
Inherited policies:
  prefix-list NO-MARKETING in
  weight 300
  maximum-prefix 10000
Template:NETWORK1 <detail>
Locally configured policies:
  route-map ROUTE in
route-map ROUTE, permit, sequence 10
  Match clauses:
    ip address prefix-lists: DEFAULT
ip prefix-list DEFAULT: 1 entries
  seq 5 permit 10.1.1.0/24
  Set clauses:
  Policy routing matches: 0 packets, 0 bytes
Inherited policies:
  prefix-list NO-MARKETING in
ip prefix-list NO-MARKETING: 1 entries
  seq 5 deny 10.2.2.0/24
```

## Configuring Peer Policy Template Inheritance with the `neighbor inherit peer-policy` Command

This task configures a router to send a peer policy template to a neighbor to inherit using the `neighbor inherit peer-policy` command. Perform the following steps to send a peer policy template configuration to a neighbor to inherit.

When BGP neighbors use multiple levels of peer templates, it can be difficult to determine which policies are applied to the neighbor. In Cisco IOS Release 12.0(25)S, 12.4(11)T, 12.2(33)SRB, 12.2(33)SB, and later releases, the `policy` and `detail` keywords were added to the `show ip bgp neighbors` command to display the inherited policies and policies configured directly on the specified neighbor.

### SUMMARY STEPS

1. `enable`
2. `configure terminal`
3. `router bgp autonomous-system-number`
4. `neighbor ip-address remote-as autonomous-system-number`
5. `address-family ipv4 [multicast | unicast | vrf vrf-name]`
6. `neighbor ip-address inherit peer-policy policy-template-name`
7. `end`
8. `show ip bgp neighbors [ip-address[policy [detail]]]`

## DETAILED STEPS

	Command or Action	Purpose
<b>Step 1</b>	<b>enable</b> <b>Example:</b>  Router> enable	Enables privileged EXEC mode. <ul style="list-style-type: none"><li>• Enter your password if prompted.</li></ul>
<b>Step 2</b>	<b>configure terminal</b> <b>Example:</b>  Router# configure terminal	Enters global configuration mode.
<b>Step 3</b>	<b>router bgp</b> <i>autonomous-system-number</i> <b>Example:</b>  Router(config)# router bgp 45000	Enters router configuration mode and creates a BGP routing process.
<b>Step 4</b>	<b>neighbor</b> <i>ip-address</i> <b>remote-as</b> <i>autonomous-system-number</i> <b>Example:</b>  Router(config-router)# neighbor 192.168.1.2 remote-as 40000	Configures a peering session with the specified neighbor. <ul style="list-style-type: none"><li>• The explicit <b>remote-as</b> statement is required for the <b>neighbor inherit</b> statement in Step 6 to work. If a peering is not configured, the specified neighbor in Step 6 will not accept the session template.</li></ul>
<b>Step 5</b>	<b>address-family ipv4</b> [ <b>multicast</b>   <b>unicast</b>   <b>vrf</b> <i>vrf-name</i> ] <b>Example:</b>  Router(config-router)# address-family ipv4 unicast	Enters address family configuration mode to configure a neighbor to accept address family-specific command configurations.
<b>Step 6</b>	<b>neighbor</b> <i>ip-address</i> <b>inherit peer-policy</b> <i>policy-template-name</i> <b>Example:</b>  Router(config-router-af)# neighbor 192.168.1.2 inherit peer-policy GLOBAL	Sends a peer policy template to a neighbor so that the neighbor can inherit the configuration. <ul style="list-style-type: none"><li>• The example configures a router to send the peer policy template named GLOBAL to the 192.168.1.2 neighbor to inherit. This template can be applied to a neighbor, and if another peer policy template is indirectly inherited from GLOBAL, the indirectly inherited configuration will also be applied. Up to seven additional peer policy templates can be indirectly inherited from GLOBAL.</li></ul>
<b>Step 7</b>	<b>end</b> <b>Example:</b>  Router(config-router-af)# end	Exits address family configuration mode and returns to privileged EXEC mode.
<b>Step 8</b>	<b>show ip bgp neighbors</b> [ <i>ip-address</i> [ <b>policy</b> [ <b>detail</b> ]]] <b>Example:</b>	Displays locally configured peer policy templates.



	Command or Action	Purpose
	Router# show ip bgp neighbors 192.168.1.2 policy	<ul style="list-style-type: none"> <li>• The output can be filtered to display a single peer policy template with the <i>policy-template-name</i> argument. This command also supports all standard output modifiers.</li> <li>• Use the <b>policy</b> keyword to display the policies applied to this neighbor per address family.</li> <li>• Use the <b>detail</b> keyword to display detailed policy information.</li> <li>• The <b>policy</b> and <b>detail</b> keywords are supported only in Cisco IOS Release 12.0(25)S, 12.4(11)T, 12.2(33)SRB, 12.2(33)SB, and later releases.</li> </ul> <p><b>Note</b> Only the syntax required for this task is shown. For more details, see the <i>Cisco IOS IP Routing: BGP Command Reference</i>.</p>

### Examples

The following sample output shows the policies applied to the neighbor at 192.168.1.2. The output displays both inherited policies and policies configured on the neighbor device. Inherited policies are policies that the neighbor inherits from a peer-group or a peer-policy template.

```
Router# show ip bgp neighbors 192.168.1.2 policy
Neighbor: 192.168.1.2, Address-Family: IPv4 Unicast
Locally configured policies:
  route-map ROUTE in
Inherited polices:
  prefix-list NO-MARKETING in
  route-map ROUTE in
  weight 300
  maximum-prefix 10000
```

## Monitoring and Maintaining BGP Dynamic Update Groups

Use this task to clear and display information about the processing of dynamic BGP update groups. The performance of BGP update message generation is improved with the use of BGP update groups. With the configuration of the BGP peer templates and the support of the dynamic BGP update groups, the network operator no longer needs to configure peer groups in BGP and can benefit from improved configuration flexibility and system performance. For information about using BGP peer templates, see the “Configuring Peer Session Templates” and “Configuring Peer Policy Templates” sections.

### SUMMARY STEPS

1. **enable**
2. **clear ip bgp update-group** [*index-group* | *ip-address*]
3. **show ip bgp replication** [*index-group* | *ip-address*]

#### 4. `show ip bgp update-group` [*index-group* | *ip-address*] [summary]

##### DETAILED STEPS

	Command or Action	Purpose
<b>Step 1</b>	<b>enable</b> <b>Example:</b> Device> <code>enable</code>	Enables privileged EXEC mode. <ul style="list-style-type: none"> <li>• Enter your password if prompted.</li> </ul>
<b>Step 2</b>	<b>clear ip bgp update-group</b> [ <i>index-group</i>   <i>ip-address</i> ] <b>Example:</b> Device# <code>clear ip bgp update-group 192.168.2.2</code>	Clears BGP update group membership and recalculate BGP update groups. <ul style="list-style-type: none"> <li>• In the example provided, the membership of neighbor 192.168.2.2 is cleared from an update group.</li> </ul>
<b>Step 3</b>	<b>show ip bgp replication</b> [ <i>index-group</i>   <i>ip-address</i> ] <b>Example:</b> Device# <code>show ip bgp replication</code>	Displays update replication statistics for BGP update groups.
<b>Step 4</b>	<b>show ip bgp update-group</b> [ <i>index-group</i>   <i>ip-address</i> ] [summary] <b>Example:</b> Device# <code>show ip bgp update-group</code>	Displays information about BGP update groups.

### Troubleshooting Tips

Use the `debug ip bgp groups` command to display information about the processing of BGP update groups. Information can be displayed for all update groups, an individual update group, or a specific BGP neighbor. The output of this command can be very verbose. This command should not be deployed in a production network unless you are troubleshooting a problem.

## Configuration Examples for a Basic BGP Network

### Example: Configuring a BGP Process and Customizing Peers

The following example shows the configuration for Router B in the above (in the “Customizing a BGP Peer” section) with a BGP process configured with two neighbor peers (at Router A and at Router E) in separate autonomous systems. IPv4 unicast routes are exchanged with both peers and IPv4 multicast routes are exchanged with the BGP peer at Router E.

#### Router B

```
router bgp 45000
  bgp router-id 172.17.1.99
```

```

no bgp default ipv4-unicast
bgp log-neighbor-changes
timers bgp 70 120
neighbor 192.168.1.2 remote-as 40000
neighbor 192.168.3.2 remote-as 50000
neighbor 192.168.3.2 description finance
!
address-family ipv4
neighbor 192.168.1.2 activate
neighbor 192.168.3.2 activate
no auto-summary
no synchronization
network 172.17.1.0 mask 255.255.255.0
exit-address-family
!
address-family ipv4 multicast
neighbor 192.168.3.2 activate
neighbor 192.168.3.2 advertisement-interval 25
no auto-summary
no synchronization
network 172.17.1.0 mask 255.255.255.0
exit-address-family

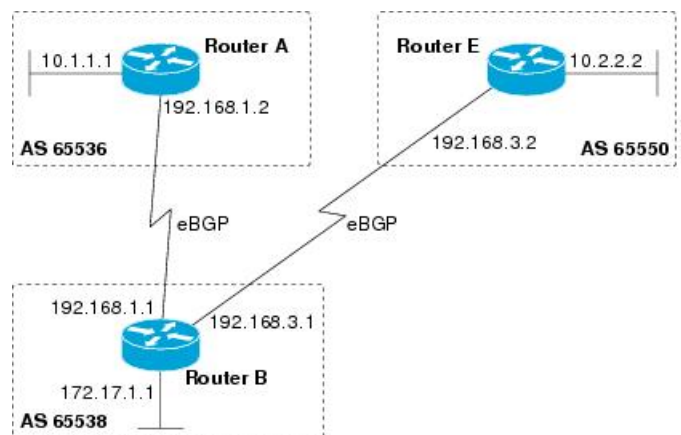
```

## Examples: Configuring a BGP Routing Process and Peers Using 4-Byte Autonomous System Numbers

### Asplain Format

The following example shows the configuration for Router A, Router B, and Router E in the figure below with a Border Gateway Protocol (BGP) process configured between three neighbor peers (at Router A, at Router B, and at Router E) in separate 4-byte autonomous systems configured using asplain notation. IPv4 unicast routes are exchanged with all peers.

*Figure 6: BGP Peers Using 4-Byte Autonomous System Numbers in Asplain Format*



### Router A

```

router bgp 65536
bgp router-id 10.1.1.99
no bgp default ipv4-unicast
bgp fast-external-fallover

```

```

bgp log-neighbor-changes
timers bgp 70 120
neighbor 192.168.1.1 remote-as 65538
!
address-family ipv4
neighbor 192.168.1.1 activate
no auto-summary
no synchronization
network 10.1.1.0 mask 255.255.255.0
exit-address-family

```

### Router B

```

router bgp 65538
bgp router-id 172.17.1.99
no bgp default ipv4-unicast
bgp fast-external-fallover
bgp log-neighbor-changes
timers bgp 70 120
neighbor 192.168.1.2 remote-as 65536
neighbor 192.168.3.2 remote-as 65550
neighbor 192.168.3.2 description finance
!
address-family ipv4
neighbor 192.168.1.2 activate
neighbor 192.168.3.2 activate
no auto-summary
no synchronization
network 172.17.1.0 mask 255.255.255.0
exit-address-family

```

### Router E

```

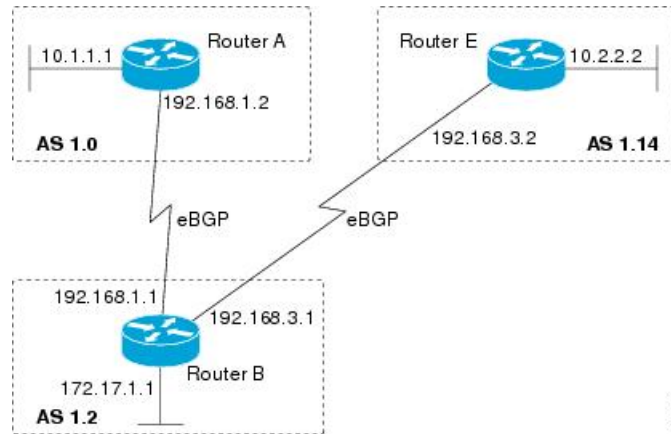
router bgp 65550
bgp router-id 10.2.2.99
no bgp default ipv4-unicast
bgp fast-external-fallover
bgp log-neighbor-changes
timers bgp 70 120
neighbor 192.168.3.1 remote-as 65538
!
address-family ipv4
neighbor 192.168.3.1 activate
no auto-summary
no synchronization
network 10.2.2.0 mask 255.255.255.0
exit-address-family

```

### Asdot Format

The following example shows how to create the configuration for Router A, Router B, and Router E in the figure below with a BGP process configured between three neighbor peers (at Router A, at Router B, and at Router E) in separate 4-byte autonomous systems configured using the default asdot format. IPv4 unicast routes are exchanged with all peers.

Figure 7: BGP Peers Using 4-Byte Autonomous System Numbers in Asdot Format



### Router A

```
router bgp 1.0
  bgp router-id 10.1.1.99
  no bgp default ipv4-unicast
  bgp fast-external-fallover
  bgp log-neighbor-changes
  timers bgp 70 120
  neighbor 192.168.1.1 remote-as 1.2
  !
  address-family ipv4
    neighbor 192.168.1.1 activate
    no auto-summary
    no synchronization
    network 10.1.1.0 mask 255.255.255.0
  exit-address-family
```

### Router B

```
router bgp 1.2
  bgp router-id 172.17.1.99
  no bgp default ipv4-unicast
  bgp fast-external-fallover
  bgp log-neighbor-changes
  timers bgp 70 120
  neighbor 192.168.1.2 remote-as 1.0
  neighbor 192.168.3.2 remote-as 1.14
  neighbor 192.168.3.2 description finance
  !
  address-family ipv4
    neighbor 192.168.1.2 activate
    neighbor 192.168.3.2 activate
    no auto-summary
    no synchronization
    network 172.17.1.0 mask 255.255.255.0
  exit-address-family
```

### Router E

```
router bgp 1.14
```

```

bgp router-id 10.2.2.99
no bgp default ipv4-unicast
bgp fast-external-fallover
bgp log-neighbor-changes
timers bgp 70 120
neighbor 192.168.3.1 remote-as 1.2
!
address-family ipv4
neighbor 192.168.3.1 activate
no auto-summary
no synchronization
network 10.2.2.0 mask 255.255.255.0
exit-address-family

```

## Examples: Configuring a VRF and Setting an Extended Community Using a BGP 4-Byte Autonomous System Number

### Asplain Default Format in Cisco IOS Release 12.0(32)SY8, 12.0(33)S3, 12.2(33)SRE, 12.2(33)SX11, and Later Releases

The following example is available in Cisco IOS Release 12.0(32)SY8, 12.0(33)S3, 12.2(33)SRE, 12.2(33)XNE, 12.2(33)SX11, and later releases and shows how to create a VRF with a route target that uses a 4-byte autonomous system number, 65537, and how to set the route target to extended community value 65537:100 for routes that are permitted by the route map:

```

ip vrf vpn_red
rd 64500:100
route-target both 65537:100
exit
route-map red_map permit 10
set extcommunity rt 65537:100
end

```

After the configuration is completed, use the **show route-map** command to verify that the extended community is set to the route target that contains the 4-byte autonomous system number of 65537:

```

RouterB# show route-map red_map
route-map red_map, permit, sequence 10
Match clauses:
Set clauses:
  extended community RT:65537:100
Policy routing matches: 0 packets, 0 bytes

```

### 4-Byte Autonomous System Number RD Support

The following example shows how to create a VRF with a route distinguisher that contains a 4-byte AS number 65536, and a route target that contains a 4-byte autonomous system number, 65537:

```

ip vrf vpn_red
rd 65536:100
route-target both 65537:100
exit

```

After the configuration is completed, use the **show vrf** command to verify that the 4-byte AS number route distinguisher is set to 65536:100:

```
RouterB# show vrf vpn_red
Current configuration : 36 bytes
vrf definition x
  rd 65536:100
!
```

### Asdot Default Format in Cisco IOS Release 12.0(32)S12, and 12.4(24)T

The following example is available in Cisco IOS Release 12.0(32)S12, and 12.4(24)T and shows how to create a VRF with a route target that uses a 4-byte autonomous system number, 1.1, and how to set the route target to the extended community value 1.1:100 for routes that are permitted by the route map.



**Note** In Cisco IOS Release 12.0(32)SY8, 12.0(33)S3, 12.2(33)SX11, and later releases, this example works if you have configured asdot as the default display format using the **bgp asnotation dot** command.

```
ip vrf vpn_red
  rd 64500:100
  route-target both 1.1:100
exit
route-map red_map permit 10
  set extcommunity rt 1.1:100
end
```

After the configuration is completed, use the **show route-map** command to verify that the extended community is set to the route target that contains the 4-byte autonomous system number of 1.1.

```
RouterB# show route-map red_map
route-map red_map, permit, sequence 10
  Match clauses:
  Set clauses:
    extended community RT:1.1:100
  Policy routing matches: 0 packets, 0 bytes
```

### Asdot Default Format for 4-Byte Autonomous System Number RD Support

The following example works if you have configured asdot as the default display format using the **bgp asnotation dot** command:

```
ip vrf vpn_red
  rd 1.0:100
  route-target both 1.1:100
exit
```

## Example: NLRI to AFI Configuration

The following example upgrades an existing router configuration file in the NLRI format to the AFI format and set the router CLI to use only commands in the AFI format:

```
router bgp 60000
  bgp upgrade-cli
```

The **show running-config** command can be used in privileged EXEC mode to verify that an existing router configuration file has been upgraded from the NLRI format to the AFI format. The following sections provide

sample output from a router configuration file in the NLRI format, and the same router configuration file after it has been upgraded to the AFI format with the **bgp upgrade-cli** command in router configuration mode.



**Note** After a router has been upgraded from the AFI format to the NLRI format with the **bgp upgrade-cli** command, NLRI commands will no longer be accessible or configurable.

### Router Configuration File in NLRI Format Before Upgrading

The following sample output is from the **show running-config** command in privileged EXEC mode. The sample output shows a router configuration file, in the NLRI format, prior to upgrading to the AFI format with the **bgp upgrade-cli** command. The sample output is filtered to show only the affected portion of the router configuration.

```
Router# show running-config | begin bgp

router bgp 101
  no synchronization
  bgp log-neighbor-changes
  neighbor 10.1.1.1 remote-as 505 nlri unicast multicast
  no auto-summary
!
ip default-gateway 10.4.9.1
ip classless
!
!
route-map REDISTRIBUTE-MULTICAST permit 10
  match ip address prefix-list MULTICAST-PREFIXES
  set nlri multicast
!
route-map MULTICAST-PREFIXES permit 10
!
route-map REDISTRIBUTE-UNICAST permit 20
  match ip address prefix-list UNICAST-PREFIXES
  set nlri unicast
!
!
!
line con 0
line aux 0
line vty 0 4
  password PASSWORD
  login
!
end
```

### Router Configuration File in AFI Format After Upgrading

The following sample output shows the router configuration file after it has been upgraded to the AFI format. The sample output is filtered to show only the affected portion of the router configuration file.

```
Router# show running-config | begin bgp

router bgp 101
  bgp log-neighbor-changes
  neighbor 10.1.1.1 remote-as 505
  no auto-summary
```



```

!
address-family ipv4 multicast
  neighbor 10.1.1.1 activate
  no auto-summary
  no synchronization
  exit-address-family
!
address-family ipv4
  neighbor 10.1.1.1 activate
  no auto-summary
  no synchronization
  exit-address-family
!
ip default-gateway 10.4.9.1
ip classless
!
!
route-map REDISTRIBUTE-MULTICAST_mcast permit 10
  match ip address prefix-list MULTICAST-PREFIXES
!
route-map REDISTRIBUTE-MULTICAST permit 10
  match ip address prefix-list MULTICAST-PREFIXES
!
route-map MULTICAST-PREFIXES permit 10
!
route-map REDISTRIBUTE-UNICAST permit 20
  match ip address prefix-list UNICAST-PREFIXES
!
!
!
line con 0
line aux 0
line vty 0 4
  password PASSWORD
  login
!
end

```

## Examples: Removing BGP Configuration Commands Using a Redistribution Example

The following examples show first the CLI configuration to enable the redistribution of BGP routes into EIGRP using a route map and then the CLI configuration to remove the redistribution and route map. Some BGP configuration commands can affect other CLI commands and this example demonstrates how the removal of one command affects another command.

In the first configuration example, a route map is configured to match and set autonomous system numbers. BGP neighbors in three different autonomous systems are configured and activated. An EIGRP routing process is started, and the redistribution of BGP routes into EIGRP using the route map is configured.

### CLI to Enable BGP Route Redistribution Into EIGRP

```

route-map bgp-to-eigrp permit 10
  match tag 50000
  set tag 65000
  exit
router bgp 45000
  bgp log-neighbor-changes
  address-family ipv4

```

```

neighbor 172.16.1.2 remote-as 45000
neighbor 172.21.1.2 remote-as 45000
neighbor 192.168.1.2 remote-as 40000
neighbor 192.168.3.2 remote-as 50000
neighbor 172.16.1.2 activate
neighbor 172.21.1.2 activate
neighbor 192.168.1.2 activate
neighbor 192.168.3.2 activate
network 172.17.1.0 mask 255.255.255.0
exit-address-family
exit
router eigrp 100
 redistribute bgp 45000 metric 10000 100 255 1 1500 route-map bgp-to-eigrp
 no auto-summary
 exit

```

In the second configuration example, both the **route-map** command and the **redistribute** command are disabled. If only the route-map command is removed, it does not automatically disable the redistribution. The redistribution will now occur without any matching or filtering. To remove the redistribution configuration, the **redistribute** command must also be disabled.

### CLI to Remove BGP Route Redistribution Into EIGRP

```

configure terminal
 no route-map bgp-to-eigrp
 router eigrp 100
  no redistribute bgp 45000
 end

```

## Examples: BGP Soft Reset

The following examples show two ways to reset the connection for BGP peer 192.168.1.1.

### Example: Dynamic Inbound Soft Reset

The following example shows the command used to initiate a dynamic soft reconfiguration in the BGP peer 192.168.1.1. This command requires that the peer support the route refresh capability.

```
clear ip bgp 192.168.1.1 soft in
```

### Example: Inbound Soft Reset Using Stored Information

The following example shows how to enable inbound soft reconfiguration for the neighbor 192.168.1.1. All the updates received from this neighbor will be stored unmodified, regardless of the inbound policy. When inbound soft reconfiguration is performed later, the stored information will be used to generate a new set of inbound updates.

```

router bgp 100
 neighbor 192.168.1.1 remote-as 200
 neighbor 192.168.1.1 soft-reconfiguration inbound

```

The following example clears the session with the neighbor 192.168.1.1:

```
clear ip bgp 192.168.1.1 soft in
```

## Example: Resetting BGP Peers Using 4-Byte Autonomous System Numbers

The following examples show how to clear BGP peers belonging to an autonomous system that uses 4-byte autonomous system numbers. The initial state of the BGP routing table is shown using the **show ip bgp** command, and peers in 4-byte autonomous systems 65536 and 65550 are displayed.

```
RouterB# show ip bgp
```

```
BGP table version is 4, local router ID is 172.17.1.99
Status codes: s suppressed, d damped, h history, * valid, > best, i - internal,
               r RIB-failure, S Stale
Origin codes: i - IGP, e - EGP, ? - incomplete
   Network        Next Hop           Metric LocPrf Weight Path
*> 10.1.1.0/24    192.168.1.2         0           0 65536  i
*> 10.2.2.0/24    192.168.3.2         0           0 65550  i
*> 172.17.1.0/24  0.0.0.0             0           32768  i
```

The **clear ip bgp 65550** command is entered to remove all BGP peers in the 4-byte autonomous system 65550. The ADJCHANGE message shows that the BGP peer at 192.168.3.2 is being reset.

```
RouterB# clear ip bgp 65550
```

```
RouterB#
```

```
*Nov 30 23:25:27.043: %BGP-5-ADJCHANGE: neighbor 192.168.3.2 Down User reset
```

The **show ip bgp** command is entered again, and only the peer in 4-byte autonomous systems 65536 is now displayed.

```
RouterB# show ip bgp
```

```
BGP table version is 5, local router ID is 172.17.1.99
Status codes: s suppressed, d damped, h history, * valid, > best, i - internal,
               r RIB-failure, S Stale
Origin codes: i - IGP, e - EGP, ? - incomplete
   Network        Next Hop           Metric LocPrf Weight Path
*> 10.1.1.0/24    192.168.1.2         0           0 65536  i
*> 172.17.1.0/24  0.0.0.0             0           32768  i
```

Almost immediately, the next ADJCHANGE message shows that the BGP peer at 192.168.3.2 (in the 4-byte autonomous system 65550) is now back up.

```
RouterB#
```

```
*Nov 30 23:25:55.995: %BGP-5-ADJCHANGE: neighbor 192.168.3.2 Up
```

## Example: Resetting and Displaying Basic BGP Information

The following example shows how to reset and display basic BGP information.

The **clear ip bgp \*** command clears and resets all the BGP neighbor sessions. In Cisco IOS Release 12.2(25)S and later releases, the syntax is **clear ip bgp all**. Specific neighbors or all peers in an autonomous system can be cleared by using the *neighbor-address* and *autonomous-system-number* arguments. If no argument is specified, this command will clear and reset all BGP neighbor sessions.



**Note** The **clear ip bgp \*** command also clears all the internal BGP structures which makes it useful as a troubleshooting tool.

```
Router# clear ip bgp *
```

The **show ip bgp** command is used to display all the entries in the BGP routing table. The following example displays BGP routing table information for the 10.1.1.0 network:

```
Router# show ip bgp 10.1.1.0 255.255.255.0

BGP routing table entry for 10.1.1.0/24, version 2
Paths: (1 available, best #1, table Default-IP-Routing-Table)
  Advertised to update-groups:
    1
  40000
    192.168.1.2 from 192.168.1.2 (10.1.1.99)
      Origin IGP, metric 0, localpref 100, valid, external, best
```

The **show ip bgp neighbors** command is used to display information about the TCP and BGP connections to neighbors. The following example displays the routes that were advertised from Router B in the figure above (in the “Configuring a BGP Peer for the IPv4 VRF Address Family” section) to its BGP neighbor 192.168.3.2 on Router E:

```
Router# show ip bgp neighbors 192.168.3.2 advertised-routes

BGP table version is 3, local router ID is 172.17.1.99
Status codes: s suppressed, d damped, h history, * valid, > best, i - internal,
               r RIB-failure, S Stale
Origin codes: i - IGP, e - EGP, ? - incomplete
   Network        Next Hop           Metric LocPrf Weight Path
*> 10.1.1.0/24    192.168.1.2         0           0 40000 i
*> 172.17.1.0/24  0.0.0.0             0           32768 i
Total number of prefixes 2
```

The **show ip bgp paths** command is used to display all the BGP paths in the database. The following example displays BGP path information for Router B in the figure above (in the “Customizing a BGP Peer” section):

```
Router# show ip bgp paths

Address      Hash Refcount Metric Path
0x2FB5DB0   0      5      0 i
0x2FB5C90   1      4      0 i
0x2FB5C00  1361   2      0 50000 i
0x2FB5D20  2625   2      0 40000 i
```

The **show ip bgp summary** command is used to display the status of all BGP connections. The following example displays BGP routing table information for Router B in the figure above (in the “Customizing a BGP Peer” section):

```
Router# show ip bgp summary

BGP router identifier 172.17.1.99, local AS number 45000
BGP table version is 3, main routing table version 3
2 network entries using 234 bytes of memory
2 path entries using 104 bytes of memory
4/2 BGP path/bestpath attribute entries using 496 bytes of memory
```

```

2 BGP AS-PATH entries using 48 bytes of memory
0 BGP route-map cache entries using 0 bytes of memory
0 BGP filter-list cache entries using 0 bytes of memory
BGP using 882 total bytes of memory
BGP activity 14/10 prefixes, 16/12 paths, scan interval 60 secs
Neighbor      V    AS MsgRcvd MsgSent  TblVer  InQ  OutQ  Up/Down  State/PfxRcd
192.168.1.2   4 40000   667    672     3    0    0 00:03:49      1
192.168.3.2   4 50000   468    467     0    0    0 00:03:49 (NoNeg)

```

## Examples: Aggregating Prefixes Using BGP

The following examples show how you can use aggregate routes in BGP either by redistributing an aggregate route into BGP or by using the BGP conditional aggregation routing feature.

In the following example, the **redistribute static** router configuration command is used to redistribute aggregate route 10.0.0.0:

```

ip route 10.0.0.0 255.0.0.0 null 0
!
router bgp 100
 redistribute static

```

The following configuration shows how to create an aggregate entry in the BGP routing table when at least one specific route falls into the specified range. The aggregate route will be advertised as coming from your autonomous system and has the atomic aggregate attribute set to show that information might be missing. (By default, atomic aggregate is set unless you use the **as-set** keyword in the **aggregate-address** router configuration command.)

```

router bgp 100
 aggregate-address 10.0.0.0 255.0.0.0

```

The following example shows how to create an aggregate entry using the same rules as in the previous example, but the path advertised for this route will be an AS\_SET consisting of all elements contained in all paths that are being summarized:

```

router bgp 100
 aggregate-address 10.0.0.0 255.0.0.0 as-set

```

The following example shows how to create the aggregate route for 10.0.0.0 and also suppress advertisements of more specific routes to all neighbors:

```

router bgp 100
 aggregate-address 10.0.0.0 255.0.0.0 summary-only

```

The following example configures BGP to not advertise inactive routes:

```

Device(config)# router bgp 50000
Device(config-router)# address-family ipv4 unicast
Device(config-router-af)# bgp suppress-inactive
Device(config-router-af)# end

```

The following example configures a maximum route limit in the VRF named RED and configures BGP to not advertise inactive routes through the VRF named RED:

```

Device(config)# ip vrf RED
Device(config-vrf)# rd 50000:10
Device(config-vrf)# maximum routes 1000 10

```

```
Device(config-vrf)# exit
Device(config)# router bgp 50000
Device(config-router)# address-family ipv4 vrf RED
Device(config-router-af)# bgp suppress-inactive
Device(config-router-af)# end
```

## Example: Configuring a BGP Peer Group

The following example shows how to use an address family to configure a peer group so that all members of the peer group are both unicast- and multicast-capable:

```
router bgp 45000
 neighbor 192.168.1.2 remote-as 40000
 neighbor 192.168.3.2 remote-as 50000
 address-family ipv4 unicast
  neighbor mygroup peer-group
  neighbor 192.168.1.2 peer-group mygroup
  neighbor 192.168.3.2 peer-group mygroup
router bgp 45000
 neighbor 192.168.1.2 remote-as 40000
 neighbor 192.168.3.2 remote-as 50000
 address-family ipv4 multicast
  neighbor mygroup peer-group
  neighbor 192.168.1.2 peer-group mygroup
  neighbor 192.168.3.2 peer-group mygroup
  neighbor 192.168.1.2 activate
  neighbor 192.168.3.2 activate
```

## Example: Configuring Peer Session Templates

The following example creates a peer session template named INTERNAL-BGP in session-template configuration mode:

```
router bgp 45000
 template peer-session INTERNAL-BGP
 remote-as 50000
 timers 30 300
 exit-peer-session
```

The following example creates a peer session template named CORE1. This example inherits the configuration of the peer session template named INTERNAL-BGP.

```
router bgp 45000
 template peer-session CORE1
 description CORE-123
 update-source loopback 1
 inherit peer-session INTERNAL-BGP
 exit-peer-session
```

The following example configures the 192.168.3.2 neighbor to inherit the CORE1 peer session template. The 192.168.3.2 neighbor will also indirectly inherit the configuration from the peer session template named INTERNAL-BGP. The explicit **remote-as** statement is required for the neighbor inherit statement to work. If a peering is not configured, the specified neighbor will not accept the session template.

```
router bgp 45000
```

```
neighbor 192.168.3.2 remote-as 50000
neighbor 192.168.3.2 inherit peer-session CORE1
```

## Examples: Configuring Peer Policy Templates

The following example creates a peer policy template named GLOBAL and enters policy-template configuration mode:

```
router bgp 45000
  template peer-policy GLOBAL
    weight 1000
    maximum-prefix 5000
    prefix-list NO_SALES in
    exit-peer-policy
```

The following example creates a peer policy template named PRIMARY-IN and enters policy-template configuration mode:

```
router bgp 45000
  template peer-policy PRIMARY-IN
    prefix-list ALLOW-PRIMARY-A in
    route-map SET-LOCAL in
    weight 2345
    default-originate
    exit-peer-policy
```

The following example creates a peer policy template named CUSTOMER-A. This peer policy template is configured to inherit the configuration from the peer policy templates named PRIMARY-IN and GLOBAL.

```
router bgp 45000
  template peer-policy CUSTOMER-A
    route-map SET-COMMUNITY in
    filter-list 20 in
    inherit peer-policy PRIMARY-IN 20
    inherit peer-policy GLOBAL 10
    exit-peer-policy
```

The following example configures the 192.168.2.2 neighbor in address family mode to inherit the peer policy template named CUSTOMER-A. Assuming this example is a continuation of the example above, because the peer policy template named CUSTOMER-A above inherited the configuration from the templates named PRIMARY-IN and GLOBAL, the 192.168.2.2 neighbor will also indirectly inherit the peer policy templates named PRIMARY-IN and GLOBAL.

```
router bgp 45000
  neighbor 192.168.2.2 remote-as 50000
  address-family ipv4 unicast
    neighbor 192.168.2.2 inherit peer-policy CUSTOMER-A
  end
```

## Examples: Monitoring and Maintaining BGP Dynamic Update Peer-Groups

No configuration is required to enable the BGP dynamic update of peer groups and the algorithm runs automatically. The following examples show how BGP update group information can be cleared or displayed.

### clear ip bgp update-group Example

The following example clears the membership of neighbor 10.0.0.1 from an update group:

```
Router# clear ip bgp update-group 10.0.0.1
```

### debug ip bgp groups Example

The following example output from the **debug ip bgp groups** command shows the recalculation of update groups after the **clear ip bgp groups** command was issued:

```
Router# debug ip bgp groups
5w4d: %BGP-5-ADJCHANGE: neighbor 10.4.9.5 Down User reset
5w4d: BGP-DYN(0): Comparing neighbor 10.4.9.5 flags 0x0 cap 0x0 and updgrp 2 fl0
5w4d: BGP-DYN(0): Update-group 2 flags 0x0 cap 0x0 policies same as 10.4.9.5 fl0
5w4d: %BGP-5-ADJCHANGE: neighbor 10.4.9.8 Down User reset
5w4d: BGP-DYN(0): Comparing neighbor 10.4.9.8 flags 0x0 cap 0x0 and updgrp 2 fl0
5w4d: BGP-DYN(0): Update-group 2 flags 0x0 cap 0x0 policies same as 10.4.9.8 fl0
5w4d: %BGP-5-ADJCHANGE: neighbor 10.4.9.21 Down User reset
5w4d: BGP-DYN(0): Comparing neighbor 10.4.9.21 flags 0x0 cap 0x0 and updgrp 1 fl0
5w4d: BGP-DYN(0): Update-group 1 flags 0x0 cap 0x0 policies same as 10.4.9.21 fl0
5w4d: %BGP-5-ADJCHANGE: neighbor 10.4.9.5 Up
5w4d: %BGP-5-ADJCHANGE: neighbor 10.4.9.21 Up
5w4d: %BGP-5-ADJCHANGE: neighbor 10.4.9.8 Up
```

### show ip bgp replication Example

The following sample output from the **show ip bgp replication** command shows update group replication information for all for neighbors:

```
Router# show ip bgp replication
BGP Total Messages Formatted/Enqueued : 0/0
  Index      Type  Members      Leader      MsgFmt  MsgRepl  Csize  Qsize
    1 internal    1      10.4.9.21      0         0       0       0
    2 internal    2      10.4.9.5       0         0       0       0
```

### show ip bgp update-group Example

The following sample output from the **show ip bgp update-group** command shows update group information for all neighbors:

```
Router# show ip bgp update-group
BGP version 4 update-group 1, internal, Address Family: IPv4 Unicast
  BGP Update version : 0, messages 0/0
  Route map for outgoing advertisements is COST1
  Update messages formatted 0, replicated 0
  Number of NLRIs in the update sent: max 0, min 0
  Minimum time between advertisement runs is 5 seconds
  Has 1 member:
  10.4.9.21
BGP version 4 update-group 2, internal, Address Family: IPv4 Unicast
  BGP Update version : 0, messages 0/0
  Update messages formatted 0, replicated 0
  Number of NLRIs in the update sent: max 0, min 0
  Minimum time between advertisement runs is 5 seconds
```



Has 2 members:  
10.4.9.5 10.4.9.8

## Where to Go Next

- If you want to connect to an external service provider, see the “Connecting to a Service Provider Using External BGP” module.
- To configure BGP neighbor session options, proceed to the “Configuring BGP Neighbor Session Options” module.
- If you want to configure some iBGP features, see the “Configuring Internal BGP Features” module.

## Additional References

### Related Documents

Related Topic	Document Title
Cisco IOS commands	<a href="#">Cisco IOS Master Command List, All Releases</a>
BGP commands	<a href="#">Cisco IOS IP Routing: BGP Command Reference</a>
IPv6 commands: complete command syntax, command mode, defaults, usage guidelines, and examples	<a href="#">Cisco IOS IPv6 Command Reference</a>
Overview of Cisco BGP conceptual information with links to all the individual BGP modules	“Cisco BGP Overview” module in the <i>IP Routing: BGP Configuration Guide</i>
Multiprotocol Label Switching (MPLS) and BGP configuration example using the IPv4 VRF address family	“MPLS VPN Inter-AS with ASBRs Exchanging IPv4 Routes and MPLS Labels” module in the <i>MPLS: Layer 3 VPNs: Inter-AS and CSC Configuration Guide</i>

### Standards

Standard	Title
MDT SAFI	<a href="#">MDT SAFI</a>

### MIBs

MIB	MIBs Link
CISCO-BGP4-MIB	To locate and download MIBs for selected platforms, Cisco IOS releases, and feature sets, use Cisco MIB Locator found at the following URL: <a href="http://www.cisco.com/go/mibs">http://www.cisco.com/go/mibs</a>

**RFCs**

<b>RFC</b>	<b>Title</b>
RFC 1772	<i>Application of the Border Gateway Protocol in the Internet</i>
RFC 1773	<i>Experience with the BGP Protocol</i>
RFC 1774	<i>BGP-4 Protocol Analysis</i>
RFC 1930	<i>Guidelines for Creation, Selection, and Registration of an Autonomous System (AS)</i>
RFC 2519	<i>A Framework for Inter-Domain Route Aggregation</i>
RFC 2858	<i>Multiprotocol Extensions for BGP-4</i>
RFC 2918	<i>Route Refresh Capability for BGP-4</i>
RFC 3392	<i>Capabilities Advertisement with BGP-4</i>
RFC 4271	<i>A Border Gateway Protocol 4 (BGP-4)</i>
RFC 4893	<i>BGP Support for Four-octet AS Number Space</i>
RFC 5396	<i>Textual Representation of Autonomous system (AS) Numbers</i>
RFC 5398	<i>Autonomous System (AS) Number Reservation for Documentation Use</i>

**Technical Assistance**

<b>Description</b>	<b>Link</b>
The Cisco Support and Documentation website provides online resources to download documentation, software, and tools. Use these resources to install and configure the software and to troubleshoot and resolve technical issues with Cisco products and technologies. Access to most tools on the Cisco Support and Documentation website requires a Cisco.com user ID and password.	<a href="http://www.cisco.com/cisco/web/support/index.html">http://www.cisco.com/cisco/web/support/index.html</a>

## Feature Information for Configuring a Basic BGP Network

The following table provides release information about the feature or features described in this module. This table lists only the software release that introduced support for a given feature in a given software release train. Unless noted otherwise, subsequent releases of that software release train also support that feature.

Use Cisco Feature Navigator to find information about platform support and Cisco software image support. To access Cisco Feature Navigator, go to <http://www.cisco.com/go/cfn>. An account on Cisco.com is not required.

Table 6: Feature Information for Configuring a Basic BGP Network

Feature Name	Releases	Feature Configuration Information
BGP Conditional Route Injection	12.0(22)S 12.2(4)T 12.2(14)S 15.0(1)S Cisco IOS XE 3.1.0SG	The BGP Conditional Route Injection feature allows you to inject more specific prefixes into a BGP routing table over less specific prefixes that were selected through normal route aggregation. These more specific prefixes can be used to provide a finer granularity of traffic engineering or administrative control than is possible with aggregated routes.
BGP Configuration Using Peer Templates	12.0(24)S 12.2(18)S 12.2(27)SBC 12.3(4)T 15.0(1)S	The BGP Configuration Using Peer Templates feature introduces a new mechanism that groups distinct neighbor configurations for BGP neighbors that share policies. This type of policy configuration has been traditionally configured with BGP peer groups. However, peer groups have certain limitations because peer group configuration is bound to update grouping and specific session characteristics. Configuration templates provide an alternative to peer group configuration and overcome some of the limitations of peer groups.
BGP Dynamic Update Peer Groups	12.0(24)S 12.2(18)S 12.2(27)SBC 12.3(4)T 15.0(1)S Cisco IOS XE 3.1.0SG	The BGP Dynamic Update Peer Groups feature introduces a new algorithm that dynamically calculates and optimizes update groups of neighbors that share the same outbound policies and can share the same update messages. In previous versions of Cisco IOS software, BGP update messages were grouped based on peer-group configurations. This method of grouping updates limited outbound policies and specific-session configurations. The BGP Dynamic Update Peer Group feature separates update group replication from peer group configuration, which improves convergence time and flexibility of neighbor configuration.
BGP Hybrid CLI	12.0(22)S 12.2(15)T 15.0(1)S	The BGP Hybrid CLI feature simplifies the migration of BGP networks and existing configurations from the NLRI format to the AFI format. This new functionality allows the network operator to configure commands in the AFI format and save these command configurations to existing NLRI formatted configurations. The feature provides the network operator with the capability to take advantage of new features and provides support for migration from the NLRI format to the AFI format.
Suppress BGP Advertisement for Inactive Routes	12.2(25)S 12.2(33)SXH 15.0(1)M 15.0(1)S	The Suppress BGP Advertisements for Inactive Routes feature allows you to configure the suppression of advertisements for routes that are not installed in the Routing Information Base (RIB). Configuring this feature allows Border Gateway Protocol (BGP) updates to be more consistent with data used for traffic forwarding.

