



Unmounting the Router

This section describes the safety information, equipment, and procedures required to remove the Cisco 1240 Connected Grid Router (CGR 1240 or router) from a vertical pole.

These topics are discussed:

- [Materials and Tools You Supply, page 111](#)
- [Unmounting Instructions, page 111](#)
- [Transporting the Router, page 113](#)

Materials and Tools You Supply

- 1/2-inch (13-mm) socket wrench
- #2 Phillips-head screwdriver

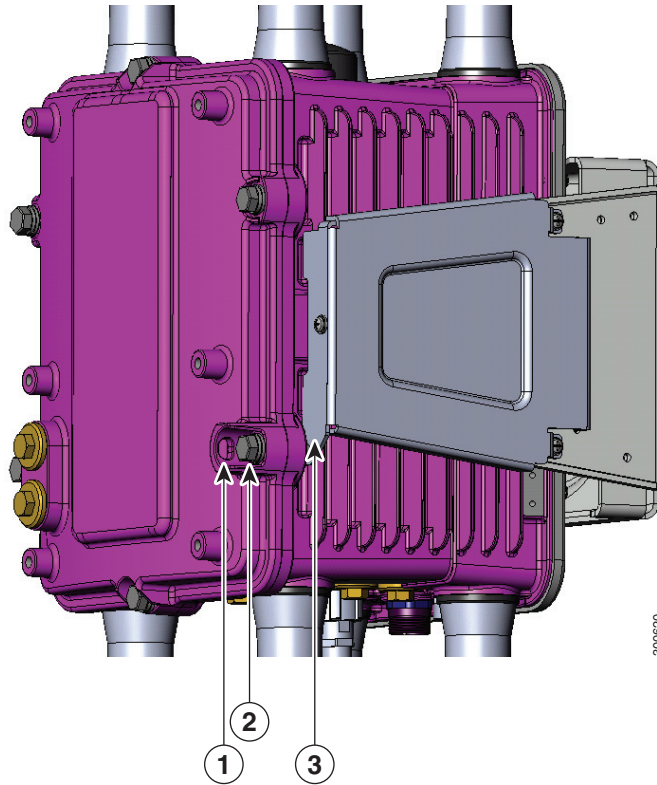
Unmounting Instructions

To unmount the router on any supported pole type:

1. Power off the router by following instructions in [Powering Off the Router, page 107](#):
 - Disable AC power (see [Disconnect Router AC Power, page 108](#)).
 - Disable BBUs (see [Disable the Router BBU at the CLI, page 108](#) or [Disable the BBU by Disconnecting the BBU Harness Cable, page 108](#)).
2. Remove/disconnect any external cables (for example, the external Ethernet connector at base of unit).
3. Open the router door using the socket wrench and by following instructions in [Opening the Door, page 78](#).
4. Disconnect the internal cables, taking care to remove cable from cable glands.
5. Close the router door by following instructions in the [Closing the Door, page 78](#).

Note: Closing the door before transporting the router can prevent personal injury and damage to the unit.
6. Remove the ground wire located at the side of the router.
7. Remove the security panel from the unit (if one is installed, this is an optional part of the mounting bracket). For more information, see [Install the Optional Security Panel, page 64](#).

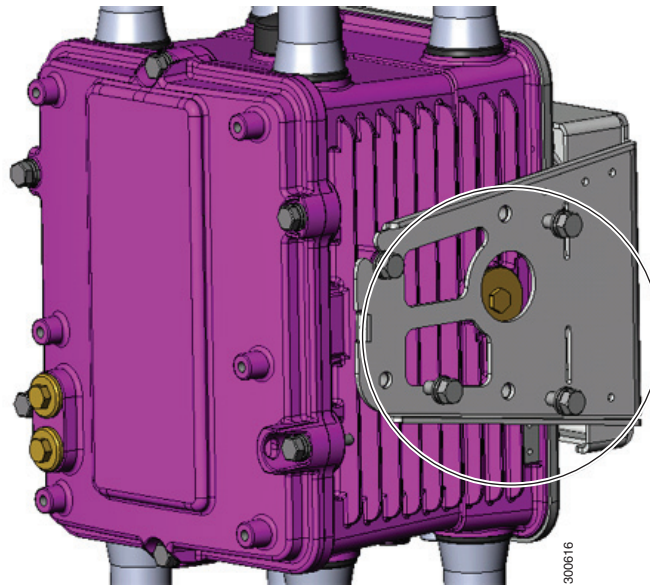
Figure 74 Location Security Panel Installed



Item	Description
1	Router door
2	Captive bolt
3	Security panel

8. Remove 3 of the 4 bolts that attach the mounting bracket to the router. Do not remove the hinge bolt, which is the fourth bolt. Remove the equivalent bolts on the opposite side of the router.

Figure 75 Removing Bolts from Security Bracket



9. Loosen hinge bolts two complete turns (do not loosen so that the bolts are removed from chassis).
10. Remove the router from the bracket.

Transporting the Router

To transport the router:

1. Disconnect lightning arrestors that might be installed on the router.
2. Verify that all open chassis ports are sealed with the cable port seal plugs shipped with the router.

