



Cisco 4.9-6 GHz Omni Mobile WiFi Antenna (IW-ANT-OMM-53-N)

This chapter contains the following sections:

- [Overview, on page 1](#)
- [Specifications, on page 2](#)
- [Mechanical Drawing, on page 3](#)
- [Radiation Patterns, on page 4](#)

Overview

The Cisco 4.9-6 GHz Omni Mobile WiFi Antenna (IW-ANT-OMM-53-N) delivers enhanced connectivity for Autonomous Guided Vehicles (AGVs), Autonomous Mobile Robots (AMR) and unmanned systems even in NLOS and highly obstructed environments. With a multi-polarized three-dimensional element design, it provides maximum reliability and signal stability.

Figure 1: IW-ANT-OMM-53-N Antenna



Specifications

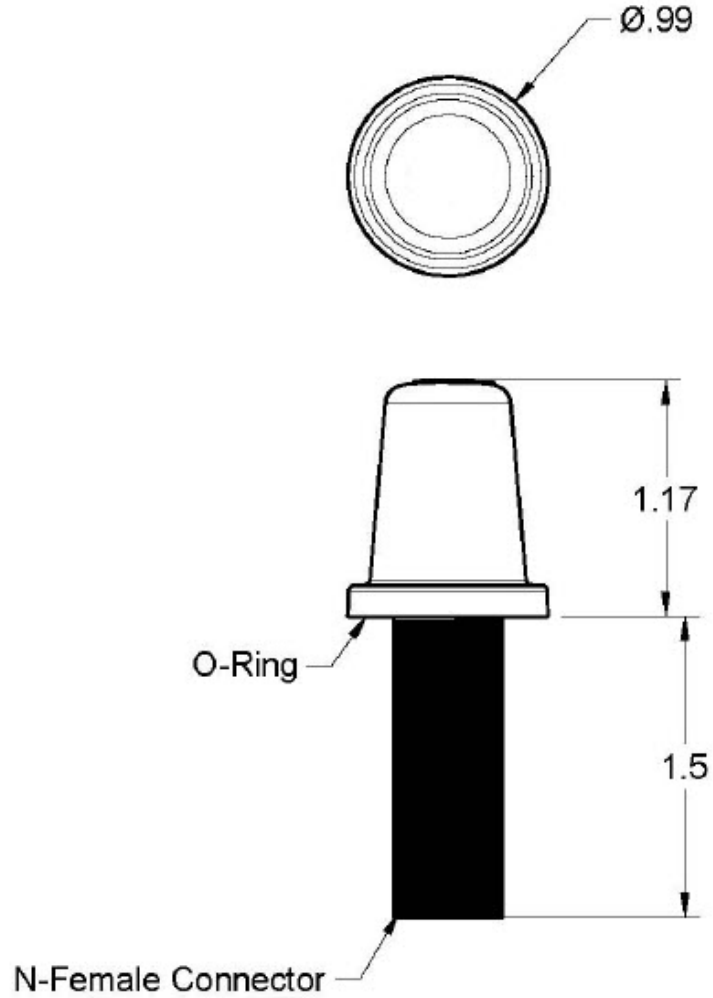
The following table shows the antenna specifications:

Frequency Range	4.9-6.0 GHz
Gain	3 dBI
VSWR	<1.6:1
Horizontal Pattern Type	Omni Directional
Vertical Pattern Type	Full
Ground Plane	Built In
Environmental Type	Outdoor
Operational Temperature	-40 to 85 deg C

Storage/Transport Temperature	-40 to 85 deg C
IP Rating	IP67
RoHS	REACH Compliant
Color	Black
Antenna Feeds	One
Connector Type	N-Female 1.5
Polarization	Multi-Polarized
Power	50 Watts Input
Impedance	50 ohms Nominal
Construction	UV Stabilized ASA
Length	1.0 inch
Width	1.0 inch
Height	2.7 inch
Weight	2.0 oz.
Mounting Type	Surface
Hardware Included	Nut and Washer

Mechanical Drawing

Mounting hardware and O-Ring are included in the antenna package.

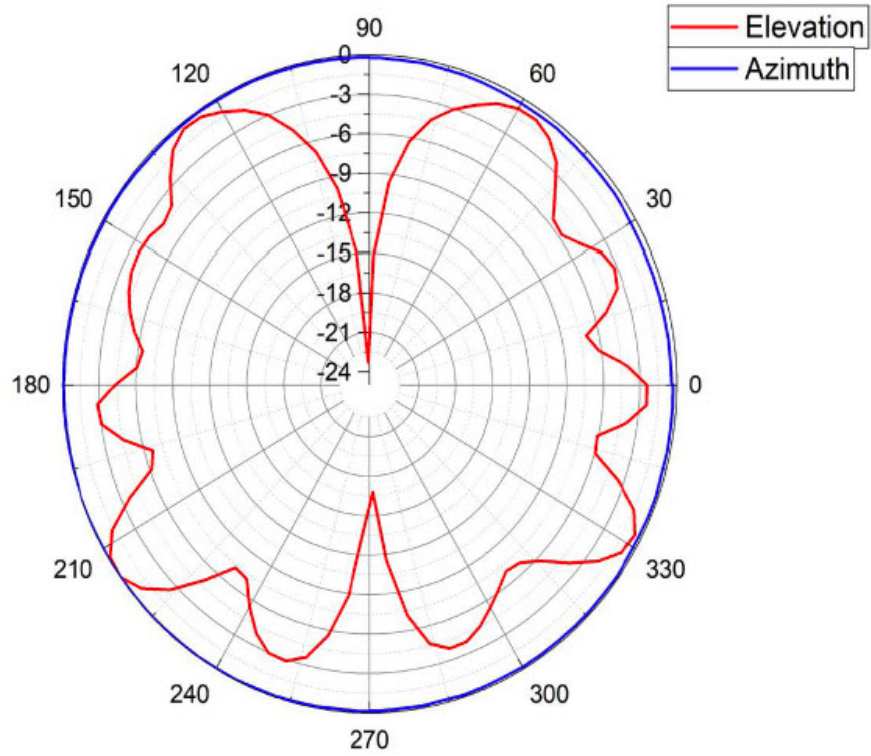


Radiation Patterns

The following figures show the antenna radiation patterns.

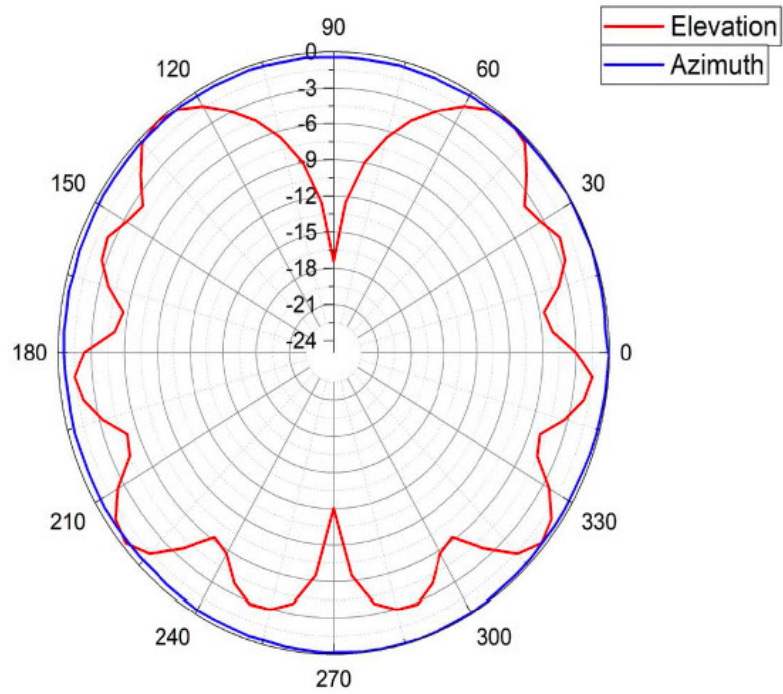
4.95 GHz

Frequency: 4.95GHz
Max Gain: 3dBi



5.15 GHz

Frequency: 5.15GHz
Max Gain: 3dBi



5.8 GHz

Frequency: 5.8GHz
Max Gain: 3dBi

