



Overview

Cisco Catalyst Wireless Gateways extend an enterprise network to remote workers, providing numerous advantages:

- Hardware-based stable connectivity to an enterprise VPN
- Optimized network performance with Wi-Fi 6
- Cellular network connectivity, in supporting models, providing a cellular internet connection (with one active and one standby SIM) for uninterrupted internet connectivity
- Separate service set identifiers (SSIDs) for connecting work and personal devices

Cisco Catalyst Wireless Gateway connectivity is as follows:

- The Cisco Catalyst Wireless Gateway CG113-W6 accesses the internet using a wired WAN connection at a remote site.
- The Cisco Catalyst Wireless Gateway CG113-4GW6 accesses the internet using a wired WAN connection at a remote site or using a cellular link. The device supports two SIM cards: one active, and one on standby. If the wired WAN connection fails, the device fails over to the cellular link to ensure internet connectivity.



Note The device has a single cellular connection, so only one SIM can be active at a given time. You can configure which of the two SIM slots serves as primary and which serves as secondary (failover).

Managing Cisco Catalyst Wireless Gateways

Use Cisco SD-WAN Manager to configure and manage Cisco Catalyst Wireless Gateways. Cisco SD-WAN Manager provides a convenient workflow for configuring Wi-Fi, cellular, VPN, and other functionality. Cisco SD-WAN Manager also provides methods for monitoring device performance.

- [Cisco Catalyst Wireless Gateway CG113-W6, on page 2](#)
- [Cisco Catalyst Wireless Gateway CG113-4GW6, on page 7](#)

Cisco Catalyst Wireless Gateway CG113-W6

The following sections provide hardware specifications and other information about the Cisco Catalyst Wireless Gateway CG113-W6.

Package Contents

The package for this device contains the following:

- Device chassis
- Power supply
- Pointer card, providing a link to the product documentation

Hardware Specifications

Table 1: Hardware Specifications, Cisco Catalyst Wireless Gateway CG113-W6

Item	Specifications
Interfaces	
2.5 Gigabit ethernet	1
1 Gigabit ethernet	2
Wi-Fi	
Wi-Fi bands	2.4 GHz, 5 GHz
Antennas	Dual 2x2 MIMO (internal)
Cellular	
None	
Operating Conditions	
Temperature	0°C to 45°C (32°F to 113°F)
Humidity	10 to 90% RH Non-condensing
Altitude	3000 m (10,000 ft)
Storage Conditions	
Temperature	-25°C to 70°C (-13°F to 158°F)
Humidity	5 to 95% RH Non-condensing
Altitude	4570 m (15,000 ft)

Item	Specifications
Power	
Power adapter	12V, 3A maximum Models, according to region: CG113-4G-PWR-US, -EU, -AU
Power connector	USB-C
Mounting and Accessories	
The device is installed on a desk or other flat surface. No additional mounting equipment is supplied.	

Ethernet Interfaces, Power Port, and Reset Button

The ethernet interfaces, power port, and reset button are located on the back panel of the device.

Figure 1: Back Panel

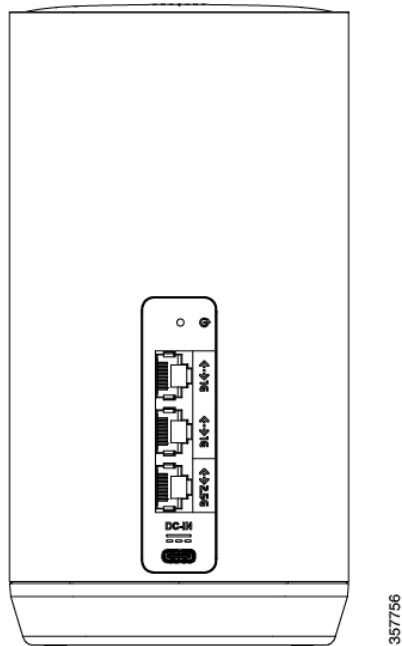
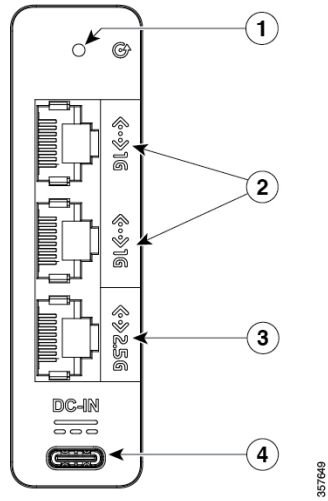


Figure 2: Reset Button, Interfaces, and Power Port



1	Reset button
2	1 Gbps ethernet interfaces
3	2.5 Gbps ethernet interface
4	USB-C power port

LED Indicators

The single LED indicator appears on the front panel of the device.

Figure 3: Front Panel

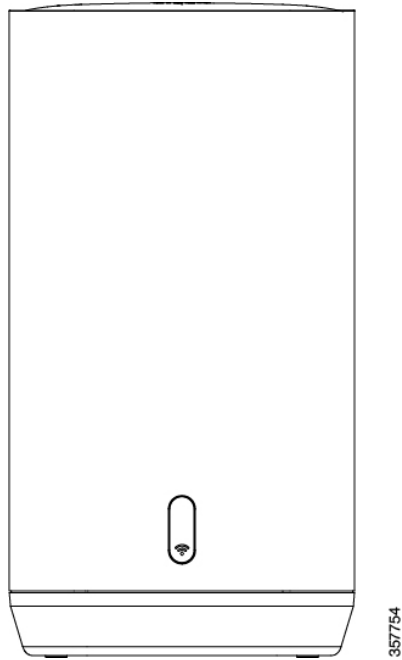
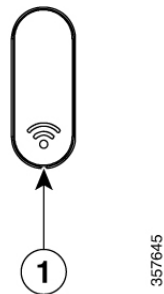


Figure 4: LED Indicator on Front Panel



1	LED indicator for Wi-Fi connectivity
---	--------------------------------------

Table 2: LED Indicator Behavior

LED	Color	Description
Wi-Fi	Red, blinking	Device is booting
	Red, solid	Wi-Fi not ready
	Green, solid	Wi-Fi ready, no devices connected
	Blue, solid	Wi-Fi ready, one or more devices connected

Antenna Information

Antennas, Gain, and Impedance

Table 3: List of Internal Antennas Supported on Cisco CG113-W6

Antenna Type	Antenna Gain	Antenna Impedance
Antenna type: Wi-Fi Single-Port/Dual Band/Omni-directional (Linear Polarization, Wi-Fi 1)	2.4GHz: 4dBi 5GHz: 5dBi	50 ohms
Antenna type: Wi-Fi Single-Port/Dual Band/Omni-directional (Linear Polarization, Wi-Fi 2)	2.4GHz: 2.6dBi 5GHz: 4.8dBi	50 ohms

Maximum Transmitted Power

The frequency and the maximum transmitted power are listed below:

2412-2472MHz: 19.99 dBm

5180-5240MHz: 22.92 dBm

5260-5320MHz: 22.95 dBm

5500-5700: 29.97 dBm

Power Supply

The following power supplies are included with the device, depending on region.

Table 4: Power Supply Part and Model Numbers, by Region

Region	Cisco Part Number	Model Number
USA	CG113-4G-PWR-US	ADH-36DW B
Australia	CG113-4G-PWR-AU	ADH-36DW E
EU, UK	CG113-4G-PWR-EU	ADH-36DW C

Table 5: Power Supply Specifications

Specification	Description
Input	100-240V AC 50-60Hz

Cisco Catalyst Wireless Gateway CG113-4GW6

The following sections provide hardware specifications and other information about the Cisco Catalyst Wireless Gateway CG113-4GW6.

Package Contents

The package for this device contains the following:

- Device chassis
- Power supply
- Pointer card, providing a link to the product documentation

Hardware Specifications

Table 6: Hardware Specifications, Cisco Catalyst Wireless Gateway CG113-4GW6

Item	Specifications
Interfaces	
2.5 Gigabit ethernet	1
1 Gigabit ethernet	2
Wi-Fi	
Wi-Fi bands	2.4 GHz, 5 GHz
Antennas	Dual 2x2 MIMO (internal)
Cellular	
SIM slots	2
Cellular bands	4G/Cat7
Operating Conditions	
Temperature	0°C to 45°C (32°F to 113°F)
Humidity	10 to 90% RH Non-condensing
Altitude	3000 m (10,000 ft)
Storage Conditions	
Temperature	-25°C to 70°C (-13°F to 158°F)
Humidity	5 to 95% RH Non-condensing

Item	Specifications
Altitude	4570 m (15,000 ft)
Power	
Power adapter	12V, 3A maximum Models, according to region: CG113-4G-PWR-US, -EU, -AU
Power connector	USB-C
Mounting and Accessories	
The device is installed on a desk or other flat surface. No additional mounting equipment is supplied.	

Ethernet Interfaces and Power Port

The ethernet interfaces, power port, and reset button are located on the back panel of the device.

Figure 5: Back Panel

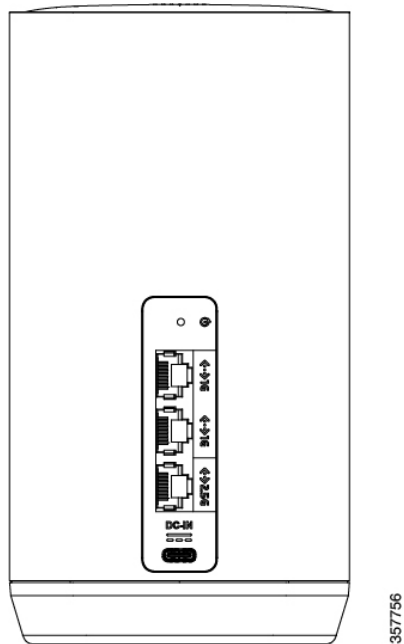
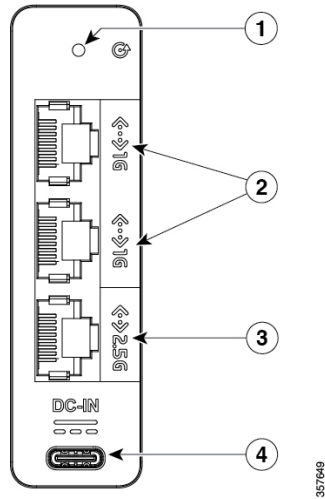


Figure 6: Reset Button, Interfaces, and Power Port

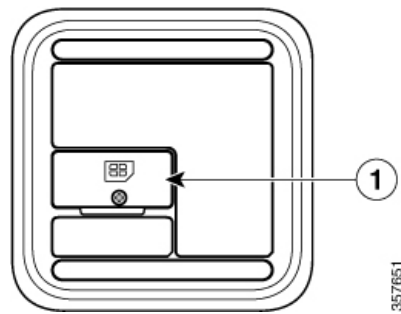


1	Reset button
2	1 Gbps ethernet interfaces
3	2.5 Gbps ethernet interface
4	USB-C power port

SIM Card Slots

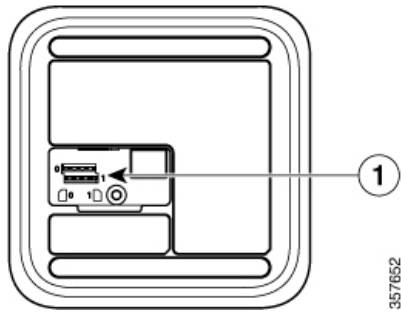
The SIM card slots are accessible from the bottom panel of the device. For information about installing SIM cards, see [Install SIMs, LTE Models](#).

Figure 7: Bottom Panel



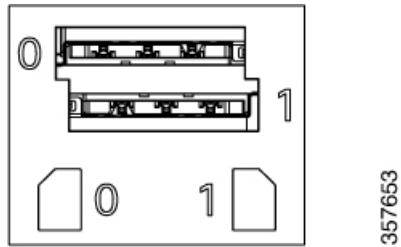
1	Cover for SIM card slots
---	--------------------------

Figure 8: SIM Card Slots, with the Cover Removed



1	SIM card slots 0 and 1
---	------------------------

Figure 9: SIM Card Slots



LED Indicators

The LED indicators appear on the front panel of the device.

Figure 10: Front Panel

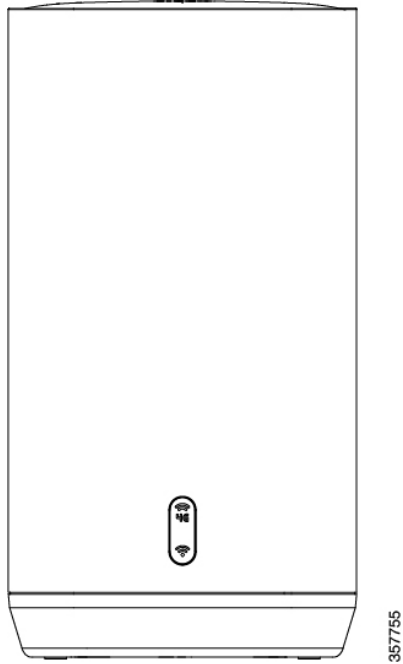
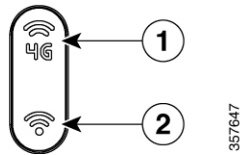


Figure 11: LED Indicators on Front Panel



1	LED indicator for cellular connectivity
2	LED indicator for Wi-Fi connectivity

Table 7: LED Indicator Behavior

LED	Color	Description
Wi-Fi	Red, blinking	Device is booting
	Red, solid	Wi-Fi not ready
	Green, solid	Wi-Fi ready, no devices connected
	Blue, solid	Wi-Fi ready, one or more devices connected
	Green, blinking	Firmware upgrade in progress

LED	Color	Description
4G	Red, blinking	Device is booting
	Red, solid	Completed boot, no SIM detected, not connected to network
	Green, solid	SIM detected, connected to network, wired connection is active and cellular connection is standby
	Green, blinking	Firmware upgrade in progress
	Blue, blinking	SIM detected, connected to network, cellular connection is active, weak signal
	Blue, solid	SIM detected, connected to network, cellular connection is active, strong signal

Antenna Information

Antennas, Gain, and Impedance

Table 8: List of Internal Antennas Supported on Cisco CG113-4GW6 (Includes LTE)

Antenna Type	Antenna Gain	Antenna Impedance
Antenna type: Wi-Fi Single-Port/Dual Band/Omni-directional (Linear Polarization, Wi-Fi 1)	2.4GHz: 4dBi 5GHz: 5dBi	50 ohms
Antenna type: Wi-Fi Single-Port/Dual Band/Omni-directional (Linear Polarization, Wi-Fi 2)	2.4GHz: 2.6dBi 5GHz: 4.8dBi	50 ohms
Antenna type: LTE Single-Port/LTE Full Band/Omni-directional (Mixed Polarization, LTE Main)	617-960MHz: 2.1dBi 1710-2700MHz: 4.1dBi 3300-3800MHz: 3.6dBi	50 ohms
Antenna type: LTE Single-Port/LTE Full Band/Omni-directional (Vertical Polarization, LTE Auxiliary)	617-960MHz: 2.1dBi 1710-2700MHz: 4.1dBi 3300-3800MHz: 3.6dBi	50 ohms

Maximum Transmitted Power

The frequency and the maximum transmitted power are listed below:

2412-2472MHz: 19.99 dBm

5180-5240MHz: 22.92 dBm

5260-5320MHz: 22.95 dBm

5500-5700: 29.97 dBm

Power Supply

The following power supplies are included with the device, depending on region.

Table 9: Power Supply Part and Model Numbers, by Region

Region	Cisco Part Number	Model Number
USA	CG113-4G-PWR-US	ADH-36DW B
Australia	CG113-4G-PWR-AU	ADH-36DW E
EU, UK	CG113-4G-PWR-EU	ADH-36DW C

Table 10: Power Supply Specifications

Specification	Description
Input	100-240V AC 50-60Hz

