



## Replace the Power Supply

Before you begin this task, ensure that you have read and understood the safety warnings in the [Safety with Electricity](#) section of the [Safety Warnings](#) handout topic.



---

**Note** The Cisco ASR-920-20SZ-M Router power supplies are hot-swappable. If you have installed redundant power supplies, you can replace a single power supply without interrupting power to the router.

---



---

**Caution** To avoid erroneous failure messages, allow at least 2 minutes for the system to reinitialize after a power supply has been removed or replaced.

---

You can replace the AC or the DC power supply.

- [Remove the DC Power Supply, on page 1](#)
- [Remove the AC Power Supply, on page 3](#)

## Remove the DC Power Supply



---

**Note** This equipment is suitable for installation in Network Telecommunications Facilities and locations where the NEC applies. The equipment is suitable for installation as part of the Common Bonding Network (CBN).

---



---

**Caution** The grounding architecture of this product is DC-isolated (DC-I) for DC-powered products. DC-powered products have a nominal operating DC voltage of 48 VDC. Minimal steady state DC operating voltage is 19.2 VDC.

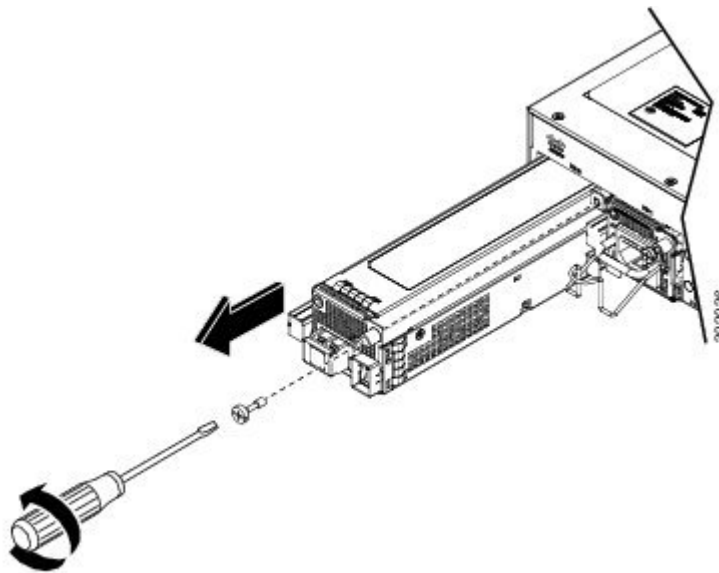
---

### Procedure

---

- Step 1** Before servicing the power supply, switch off the circuit breaker in your equipment area. As an additional precaution, tape the circuit-breaker switch in the Off position.
- Step 2** Slip on the ESD-preventive wrist strap that was included in the accessory kit.
- Step 3** Switch the power supply circuit-breaker switch to the Off (O) position.
- Step 4** Pull the terminal block plug connector out of the terminal block head in the power supply.
- Step 5** Loosen the captive screw on the DC power supply. See the figure below.

**Figure 1: Remove the DC Power Supply**



**Caution** Do not use the captive installation screw to pull out the power supply.

- Step 6** Grasping the power supply handle with one hand, pull the power supply out from the chassis while supporting it with the other hand.
  - Step 7** Replace the DC power supply within 5 minutes.
- 

## Install the DC Power Supply

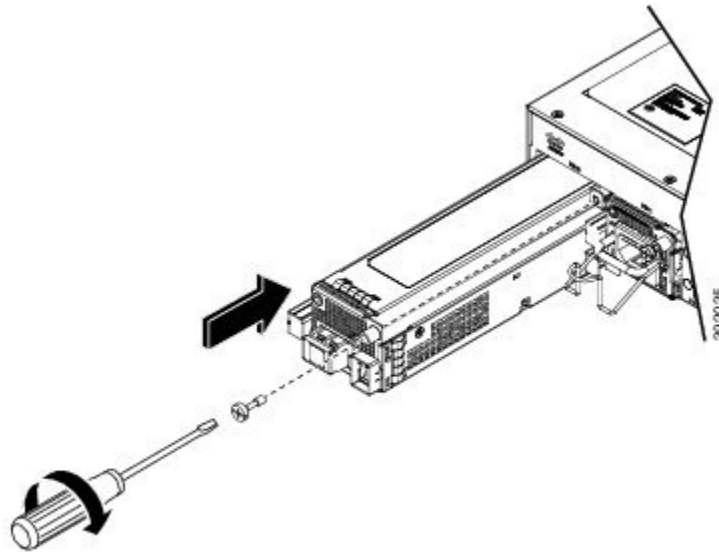
### Procedure

---

- Step 1** Ensure that the system (earth) ground connection has been made. For ground connection installation instructions, see the *Installing the Chassis Ground Connection* section.
- Step 2** If present, remove the blank power supply filler plate from the chassis power supply bay opening by loosening the captive installation screws.

- Step 3** Verify that power to the DC circuit connected to the power supply you are installing is off. To ensure that power has been removed from the DC circuits, locate the circuit breakers for the DC circuits, switch the circuit breakers to the OFF position, and tape the circuit-breaker switches in the OFF position.
- Step 4** Grasp the power supply metal tab with one hand. Place your other hand underneath the power supply. Slide the power supply into the power supply bay as shown in the figure below. Make sure that the power supply is fully seated in the bay.

*Figure 2: Install the DC Power Supply*



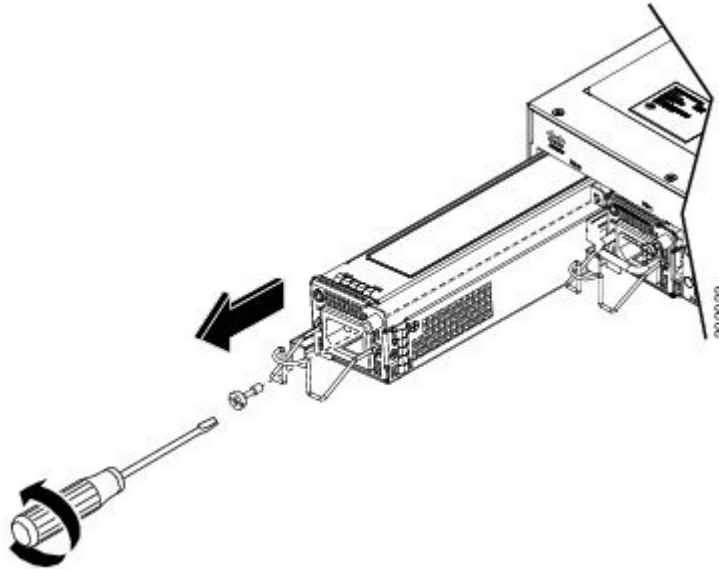
- Step 5** Tighten the captive installation screw of the power supply. The recommended maximum torque is 5.5 inch-pounds (.62 newton meters).
- If you are installing a redundant DC power supply, repeat these steps for the second power source too.

## Remove the AC Power Supply

### Procedure

- Step 1** Disconnect the power cord from the power source. Do not touch the metal prongs on the power cord when it is still connected to the power supply.
- Step 2** Remove the power cord from the power connection on the power supply. Do not touch the metal prongs embedded in the power supply.
- Step 3** Loosen the captive installation screw as shown in the figure below.

Figure 3: Remove the AC Power Supply



**Caution** Do not use the captive installation screw or the power retainer to pull out the power supply.

- Step 4** Grasp the AC power supply metal tab with one hand, and slide it part of the way out of the chassis. Place your other hand underneath the power supply, and slide it completely out of the chassis.
- Step 5** Replace the AC power supply within 5 minutes.
- 

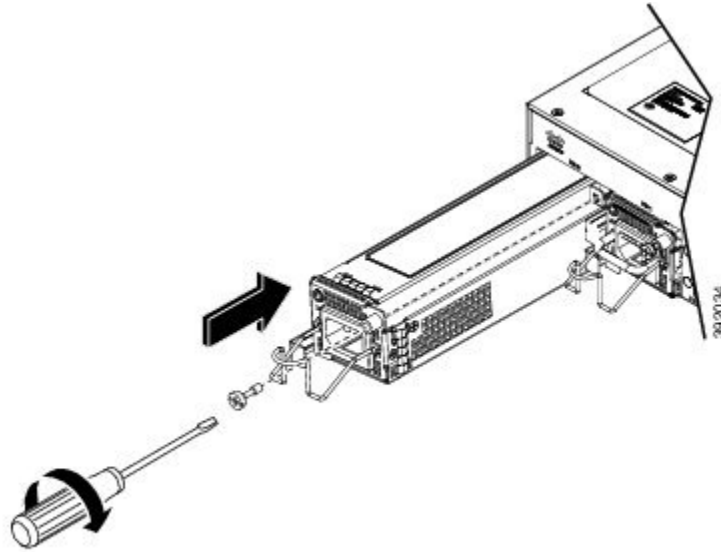
## Install the AC Power Supply

### Procedure

---

- Step 1** Ensure that the system (earth) ground connection has been made. For ground connection installation instructions, see the *Installing the Chassis Ground Connection* section.
- Step 2** If necessary, remove the blank power supply filler plate from the chassis power supply bay opening, by loosening the captive installation screws.
- Step 3** Grasp the power supply handle with one hand. Place your other hand underneath the power supply, as shown in the figure below. Slide the power supply into the power supply bay. Make sure that the power supply is fully seated in the bay.

*Figure 4: Install the AC Power Supply*



- Step 4** Tighten the captive installation screw of the power supply. The recommended maximum torque is 5.5 inch-pounds (.62 newton meters).
-

