



## **Command Reference BookMap1**

**First Published:** 2010-04-29

**Last Modified:** 2010-04-29

### **Americas Headquarters**

Cisco Systems, Inc.  
170 West Tasman Drive  
San Jose, CA 95134-1706  
USA  
<http://www.cisco.com>  
Tel: 408 526-4000  
800 553-NETS (6387)  
Fax: 408 527-0883





## CONTENTS

---

### CHAPTER 1

#### **This is a command wrapper topic 1**

- permit (IPv4) 2
- create wwn-pool 4
- create vsan 5
- create vnic-egress-policy 7
- Profiling test 8

---

### CHAPTER 2

#### **Wrapper 9**

- create vnic 10





## This is a command wrapper topic

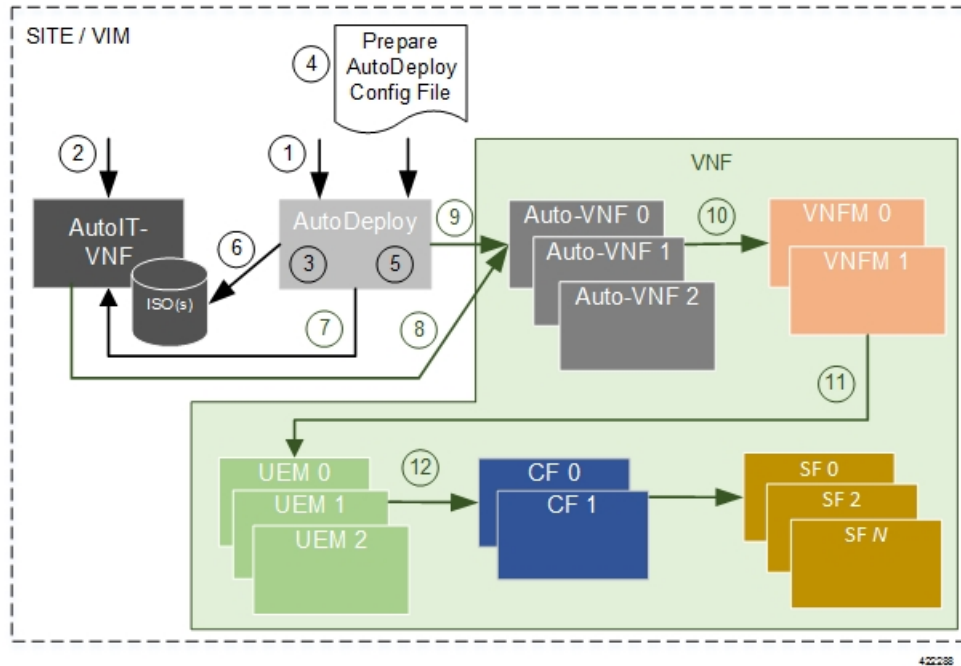
---

This is a xref [permit \(IPv4\)](#), on page 2

- [permit \(IPv4\)](#), on page 2
- [create wwn-pool](#), on page 4
- [create vsan](#), on page 5
- [create vnic-egress-policy](#), on page 7
- [Profiling test](#), on page 8

## permit (IPv4)

To create an IPv4 access control list(ACL) rule that permits traffic matching its conditions, use the **permit** command. To remove a rule, use the **no** form of this command.



This is for test

CSCsy01403: Make sure there are no extra spaces in the syntax diagram block following

General Syntax:

[sequence-number] **permit** protocol source destination QA Test: CSCsv22488 The following groupchase should appear with square brackets only [{dscp dscp | QA test CSCsz89741: check that a space appears after this precedence}]

[QA Test: CSCsx24477] **This synblk must appear on a different line** protocol source destination QA Test Sprint 9 CSCtc25038 and CSCsw43905 There should be a pipe separator between this sentence and this sentence. There should also be a single space before the pipe and after the pipe

QA Test Sprint 9: Open this command in firefox and check that the fonts for the command syntax is the same size.

**no deny** protocol {source-ipv6-prefix/prefix-length | any | host source-ipv6-address} [operator [port-number]] {destination-ipv6-prefix/prefix-length | any | host destination-ipv6-address} [operator [port-number]][**dest-option-type** [{doh-numberdoh-type}]] [**dscpvalue**] [**flow-labelvalue**] [**fragments**] [**log**] [**log-input**] [**mobility**] [**mobility-type**{mh-numbermh-type}]] [**routing**] [**routing-type**routing-number] [**sequencevalue**] [**time-rangename**] [**undetermined-transport**]

### Command Default

A Newly created IPv4 ACL contains no rules

If you do not specify a sequence number, the device assigns to the rule a sequence number that is greater than 10 greater than the last rule in the ACL

**Command Modes**

IPv4 ACL configuration

**Source and Destination**

You can specify the *source* and *destination* arguments in one of several ways. In each rule, the method you use to specify one of these arguments does not affect how you specify the other. When you configure a rule, use the following methods to specify the *source* and *destination* arguments:

**IP address group object—**

You can use an IPv4 address group object to specify a source or destination argument. Use the **object-group ip address** command to create and change IPv4 address group objects. The syntax is as follows: QA: CSCsz86893. These sep elements after addrgroup should render with a space (2 spaces). This is outside of a syntax diagram.

```
addrgroup space address-group-name
```

The following example shows how to use an IPv4 address object group named lab-gateway-svrs to specify the destination argument:

```
switch(config-acl) # permit ip any addrgroup lab-gateway-svrs
```

**Address and network wildcard**

You can use an IPv4 address followed by a network wildcard to specify a host or a network as a source or destination. The syntax is as follows: *IPv4-address network-wildcard*

The following example shows how to specify the source argument with the IPv4 address and VLSM for the 192.168.67.0 subnet

```
switch(config-acl) #
```

**ICMP Message Types**

The icmp-message argument can be the ICMP message number, which is an integer from 0 to 255. It can also be one of the following keywords:

**administratively-prohibited**

Administratively-prohibited

**alternate-address**

Alternate-address

**TCP Port Names**

When you specify the protocol argument as tcp, the port argument can be a TCP port number, which is an integer from 0 to 65535. It can also be one of the following keywords:

**bgp**

Border Gateway Protocol

**chargen**

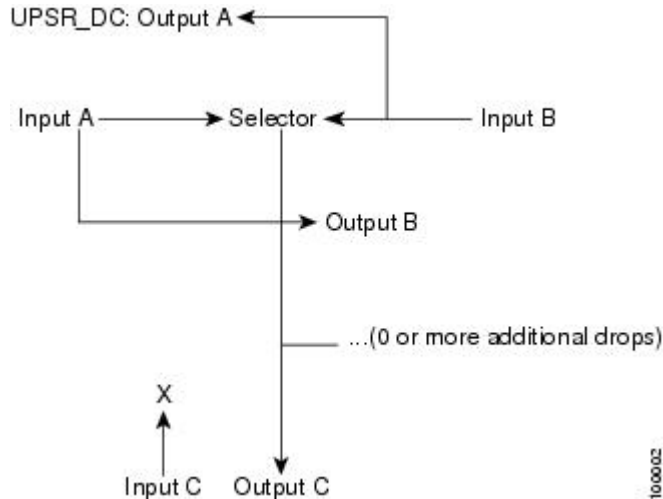
Character generator

**cmd**

Remote commands (rcmd,514)

# create wwn-pool

To create a WWN (World Wide Name) pool, use the **create wwn-pool** command.



```
create wwn-pool name {node-wwn-assignment | port-wwn-assignment}
```

<b>Syntax Description</b>	<i>name</i>	WWN pool name. The range of valid values is 1 to 16.
	<b>node-wwn-assignment</b>	Specifies world wide node name assignment.
	<b>port-wwn-assignment</b>	Specifies world wide node port assignment.

**Command Default** None

**Command Modes** Organization (/org)

<b>Command History</b>	<b>Release</b>	<b>Modification</b>
	1.0(1)	This command was introduced.

**Usage Guidelines** Use this command to create a WWN pool with the specified name, and enters organization WWN pool mode. A WWN pool can include only WWNNs or WWPNS in the 20:xx range. All other WWN ranges are reserved.

## Examples

This example shows how to create a WWN pool:

```
switch-A# scope org org3
switch-A /org # create wwn-pool wwnp1 port-wwn-assignment
switch-A /org/wwn-pool* # commit-buffer
switch-A /org/wwn-pool #
```



## create vsan

QA Test Sprint 9 CSCta77961: Test that each Command appears in its own page. Karthik has changed

### FONTOS BIZTONSÁGI ELOÍRÁSOK

**Ez a figyelmeztető jel veszélyre utal. Sérülésveszélyt rejtő helyzetben van. Mielőtt bármely berendezésen munkát végezte, legyen figyelemmel az elektromos áramkörök okozta kockázatokra, és ismerkedjen meg a szokásos balesetvédelmi eljárásokkal. A kiadványban szereplő figyelmeztetések fordítása a készülékhez mellékelt biztonsági figyelmeztetések között található; a fordítás az egyes figyelmeztetések végén látható szám alapján kereshető meg.**

**ITORIZZE MEG EZEKET AZ UTASÍTÁSOKAT!**

To create a VSAN, use the `create vsan` command.

karthik included this after os patch

karthik has included this during sprint6-round1 build

sprint-5 round1

sprint-5 round1 patch

```
create vsan name id fcoe-vlan
```

### Syntax Description

<i>name</i>	VSAN name. The range of valid values is 1 to 16.
<i>id</i>	VSAN identification number. The range of valid values is 1 to 4093.
<b>default-2</b>	Specifies default 1.
<i>fcoe-vlan</i>	Fibre Channel over Ethernet VLAN. The range of valid values is 1 to 4093.
<b>default-1</b>	Specifies default 2.

### Command Default

None

### Command Modes

Fibre Channel uplink (/fc-uplink)

Switch (/fc-uplink/switch)

### Command History

Release	Modification
1.0(1)	This command was introduced.

### Usage Guidelines

Use this command to create a VSAN with the specified name, and enters organization VSAN mode.

You can create a named VSAN with IDs from 1 to 4093. VSANs configured on different FCoE VLANs cannot share the same ID.

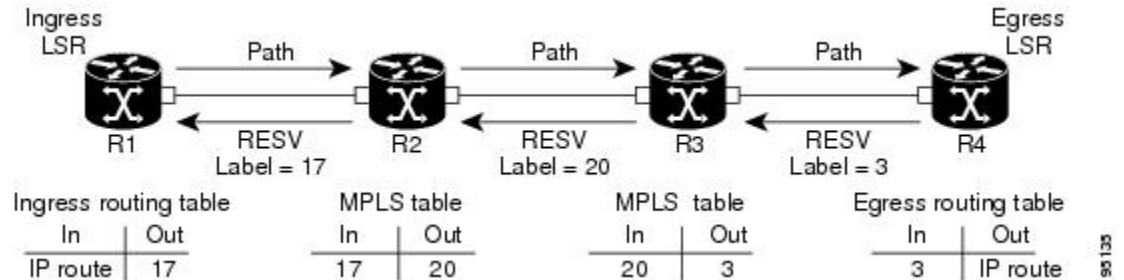
## Examples

This example shows how to create a VSAN:

```
switch-A# scope fc-uplink  
switch-A /fc-uplink # create vsan vs2 6 10  
switch-A /fc-uplink/vsan* # commit-buffer  
switch-A /fc-uplink/vsan #
```

## create vnic-egress-policy

To create a VNIC egress policy, use the **create vnic-egress-policy** command.



### create vnic-egress-policy

This command has no arguments or keywords.

#### Command Default

None

#### Command Modes

Virtual NIC QoS (/org/vnic-qos)

#### Command History

##### Release Modification

1.0(1) This command was introduced.

Use this command to create a vNIC egress policy, and enter organization virtual NIC egress policy mode.

### Examples

This example shows how to create a vNIC egress policy:

```
switch-A# scope org org3
switch-A /org # scope vnic-qos vnicq1
switch-A /org/vnic-qos # create vnic-egress-policy
switch-A /org/vnic-qos* # commit-buffer
switch-A /org/vnic-qos #
```

# Profiling test

- This is for test

This is for TESTING

**System Power Settings**

<b>Power State:</b>	FULL POWER
<b>Power Source:</b>	AC_ADAPTOR
<b>Power Settings:</b>	<input type="radio"/> Power Negotiation <input checked="" type="radio"/> Pre-standard Compatibility
<b>Power Injector:</b>	<input type="checkbox"/> Installed on Port with MAC Address: <input style="width: 100px;" type="text" value="DISABLED"/> (HHHH.HHHH.HHHH)

300002

- 
- 
-



# Wrapper

---

- [create vnic, on page 10](#)

# create vnic

QA Test Sprint 9 CSCta77961: Test that each Command appears in its own page.

karthik has inserted part of sprint6-round1 build

karthik added this to check wan bridge issue in sprint12

To create a vNIC (Virtual Network Interface Card), use the **create vnic** command.

```
create vnic name {fabric {a | a-b | b | b-a} | eth-if eth-if} *
```

## Syntax Description

<b>name</b>	VNIC template name. The range of valid values is 1 to 16.
<b>fabric</b>	Specifies the fabric switch identification number.
<b>a</b>	Specifies switch A.
<b>a-b</b>	Specifies redundant, with switch A as primary.
<b>b</b>	Specifies switch B.
<b>b-a</b>	Specifies redundant, with switch B as primary.
<b>eth-if</b>	Specifies a Ethernet interface.
<i>eth-if</i>	Ethernet interface name. The range of valid values is 1 to 16.

## Command Default

None

## Command Modes

Service profile (/org/service-profile)

## Command History

### Release Modification

1.0(1) This command was introduced.

## Usage Guidelines

Use this command to create a vNIC with the specified name, and enters organization virtual NIC mode.

## Examples

This example shows how to create a vNIC:

```
switch-A# scope org org3
switch-A /org # scope service-profile spl
switch-A /org/service-profile # create vnic vnic110
switch-A /org/service-profile/vnic* # commit-buffer
switch-A /org/service-profile/vnic #
```

**Related Commands**

QA Test: CSCtd06182 Check that the shortdescriptions appear on the dfescription column below. Also click on the first cross chapter link and see that it works in html and pdf chapters

<b>Command</b>	<b>Description</b>
<a href="#">create vsan, on page 5</a>	This is short description for vsan command
<a href="#">create vnic-egress-policy, on page 7</a>	This is short dfescription for create vnic-egress-policy command

