



## **Configuration Guide for Cisco NCS 1001, IOS XR Release 7.10.x**

**First Published:** 2023-03-26

**Last Modified:** 2024-10-28

### **Americas Headquarters**

Cisco Systems, Inc.  
170 West Tasman Drive  
San Jose, CA 95134-1706  
USA  
<http://www.cisco.com>  
Tel: 408 526-4000  
800 553-NETS (6387)  
Fax: 408 527-0883

THE SPECIFICATIONS AND INFORMATION REGARDING THE PRODUCTS IN THIS MANUAL ARE SUBJECT TO CHANGE WITHOUT NOTICE. ALL STATEMENTS, INFORMATION, AND RECOMMENDATIONS IN THIS MANUAL ARE BELIEVED TO BE ACCURATE BUT ARE PRESENTED WITHOUT WARRANTY OF ANY KIND, EXPRESS OR IMPLIED. USERS MUST TAKE FULL RESPONSIBILITY FOR THEIR APPLICATION OF ANY PRODUCTS.

THE SOFTWARE LICENSE AND LIMITED WARRANTY FOR THE ACCOMPANYING PRODUCT ARE SET FORTH IN THE INFORMATION PACKET THAT SHIPPED WITH THE PRODUCT AND ARE INCORPORATED HEREIN BY THIS REFERENCE. IF YOU ARE UNABLE TO LOCATE THE SOFTWARE LICENSE OR LIMITED WARRANTY, CONTACT YOUR CISCO REPRESENTATIVE FOR A COPY.

The Cisco implementation of TCP header compression is an adaptation of a program developed by the University of California, Berkeley (UCB) as part of UCB's public domain version of the UNIX operating system. All rights reserved. Copyright © 1981, Regents of the University of California.

NOTWITHSTANDING ANY OTHER WARRANTY HEREIN, ALL DOCUMENT FILES AND SOFTWARE OF THESE SUPPLIERS ARE PROVIDED "AS IS" WITH ALL FAULTS. CISCO AND THE ABOVE-NAMED SUPPLIERS DISCLAIM ALL WARRANTIES, EXPRESSED OR IMPLIED, INCLUDING, WITHOUT LIMITATION, THOSE OF MERCHANTABILITY, FITNESS FOR A PARTICULAR PURPOSE AND NON-INFRINGEMENT OR ARISING FROM A COURSE OF DEALING, USAGE, OR TRADE PRACTICE.

IN NO EVENT SHALL CISCO OR ITS SUPPLIERS BE LIABLE FOR ANY INDIRECT, SPECIAL, CONSEQUENTIAL, OR INCIDENTAL DAMAGES, INCLUDING, WITHOUT LIMITATION, LOST PROFITS OR LOSS OR DAMAGE TO DATA ARISING OUT OF THE USE OR INABILITY TO USE THIS MANUAL, EVEN IF CISCO OR ITS SUPPLIERS HAVE BEEN ADVISED OF THE POSSIBILITY OF SUCH DAMAGES.

Any Internet Protocol (IP) addresses and phone numbers used in this document are not intended to be actual addresses and phone numbers. Any examples, command display output, network topology diagrams, and other figures included in the document are shown for illustrative purposes only. Any use of actual IP addresses or phone numbers in illustrative content is unintentional and coincidental.

All printed copies and duplicate soft copies of this document are considered uncontrolled. See the current online version for the latest version.

Cisco has more than 200 offices worldwide. Addresses and phone numbers are listed on the Cisco website at [www.cisco.com/go/offices](http://www.cisco.com/go/offices).

Cisco and the Cisco logo are trademarks or registered trademarks of Cisco and/or its affiliates in the U.S. and other countries. To view a list of Cisco trademarks, go to this URL: <https://www.cisco.com/c/en/us/about/legal/trademarks.html>. Third-party trademarks mentioned are the property of their respective owners. The use of the word partner does not imply a partnership relationship between Cisco and any other company. (1721R)

© 2024 Cisco Systems, Inc. All rights reserved.



## CONTENTS

---

### CHAPTER 1

#### **Configure Management Interfaces 1**

Dual IP Address 1

Link Layer Discovery Protocol (LLDP) Support on Management Interface 2

---

### CHAPTER 2

#### **Configure Controllers 7**

Controllers 7

Configure OTS Controller 7

Display Parameters of OTS Controllers 10

Span Loss Calculation 12

Configure Span Loss Calculation 13

Span Loss Calculation Use Cases 15

Display Span Loss Calculation 18

Dual IP Address 19

Configure OTS OCH Controller 19

Display Parameters of OTS OCH Controllers 20

LLDP over OSC 23

---

### CHAPTER 3

#### **Configure Optical Modules 25**

Optical Amplifier Module 26

Amplifier Configuration 28

Configure Amplifier Module 30

Configure Flex Channels on the Amplifier Module 31

Modify Central Frequency and Channel Width on the Amplifier Module 33

In-Line Amplifier 34

Configure Amplifier Module in ILA Manual Mode 35

Configure Amplifier Module in ILA Automatic Mode 35

Gridless OCM Support	37
Protection Switching Module	38
Configure Protection Switching Module	39
Autothreshold for Protection Switching Module	41
Configure rx-low-threshold for PSM	42
Enable Autothreshold for PSM	45
Configure Relative Switch Threshold for PSM	45
Automated OTS-OCH Thresholds on Amplifier	46
PSM Virtual Photodiode	47
PSM 3-way Protection	48
PSM Revertive Switch	49
Configure PSM Revertive Switch	49
OSC	51
Remote Management	51
Network Topology Discovery	52
Configure Management and OSC Interfaces	52
Configure Static Routes	53
Configure OSPF Routes	53
Verify OSPF Routing Table	54
Troubleshooting Network Issues	54
Troubleshooting UDC Port Configurations	55
<hr/>	
<b>CHAPTER 4</b>	<b>Configure OTDR Module 59</b>
	OTDR 60
	Cabling Considerations for Terminal Node 63
	Cabling Considerations for ILA Node 64
	Configure OTDR 66
	Display Status of OTDR Measurement 70
	Configure OTDR in Automatic Mode 70
	Start OTDR Measurement in Automatic Mode 72
	OTDR Measurement in Automatic Mode Based on Events 72
	Configure OTDR in Expert Mode 80
	Start OTDR Measurement in Expert Mode 83
	Display List of OTDR Measurements 83

---

	Stop OTDR Measurement	85
	View the Logical Ports and the Photodiode Power Levels	86
	OTDR ML Events	86
	Enable ML on the OTDR Card	87
	View Scan Output with ML Enabled	87
<hr/>		
<b>CHAPTER 5</b>	<b>Configure Performance Monitoring</b>	<b>91</b>
	Configure PM Parameters	91
	View PM Parameters	92
<hr/>		
<b>CHAPTER 6</b>	<b>USB Automount</b>	<b>95</b>
	USB Automount	95
	Mount USB Device	95
	Unmount USB Device	96
<hr/>		
<b>CHAPTER 7</b>	<b>Fault Profiles</b>	<b>97</b>
	Fault Profiles	97
	Limitations of Fault Profiles	98
	Configure Fault Profiles	98
<hr/>		
<b>CHAPTER 8</b>	<b>Configure AAA</b>	<b>101</b>
	Understanding of AAA	101
	Admin Access for NETCONF and gRPC	102
	User Profile Mapping from XR VM to System Admin VM	102
	How to Allow Read Access to Administration Data for NETCONF and gRPC Clients	103
<hr/>		
<b>CHAPTER 9</b>	<b>Implementing Host Services and Applications</b>	<b>105</b>
	HTTP Client Application	105
	TCP Overview	106
	TCP Dump File Converter	107
	Limitations and Restrictions for TCP Dump File Converter	107
	View Binary Files in Text Format Manually	107
	Convert Binary Files to Readable Format Using TCP Dump File Converter	108

---

**APPENDIX A**      **Configuring SNMP**    **111**



# CHAPTER 1

## Configure Management Interfaces

This chapter describes how to configure management interfaces.

- [Dual IP Address, on page 1](#)
- [Link Layer Discovery Protocol \(LLDP\) Support on Management Interface, on page 2](#)

### Dual IP Address

Dual independent XR interfaces allows you to connect the two ethernet interfaces to two different switches of different subnet and also of the same subnet. From release 6.5.1, there are different ports from the ethernet switch MGMT RJ45, and Optical SFP MGMT to the CPU.

The two different Management Ethernet interfaces in to XR are:

- MgmtEth 0/RP0/CPU0/0 (already existing) representing the RJ45 port.
- MgmtEth 0/RP0/CPU0/1 (new one) representing the SFP port.

iPXE is not supported at power-on over the new optical interface.

Upgrades from previous releases using only SFP loses MGMT connectivity. In this case, you must configure through Console port.

Before using the two different interfaces, you must upgrade the BIOS and reload the 0/RP0 location.

The following example shows the output of the *show running-config* command:

#### Example

```
RP/0/RP0/CPU0:MYST-144#show running-config
...
interface MgmtEth0/RP0/CPU0/0
  ipv4 address xxx.xxx.xxx.xxx yyy.yyy.yyy.yyy
  !
interface MgmtEth0/RP0/CPU0/1
  ipv6 address xxxx:xxxx:xxxx:xxxx::xxx:xxx/yy
  ipv6 enable
  !
interface MgmtEth0/RP0/OSC1/0
  shutdown
  !
interface MgmtEth0/RP0/OSC2/0
  shutdown
  !
interface MgmtEth0/RP0/OSC3/0
```

```
shutdown  
!
```

# Link Layer Discovery Protocol (LLDP) Support on Management Interface

LLDP support on management interface feature requires a system to form LLDP neighborship over the system management interface, through which it advertises and learns LLDP neighbor information. This information about neighbors can be used to learn about the neighbors and in turn the topology of the devices for Operations, Administration, and Maintenance (OAM) purposes.

## Advantages of LLDP

- Provides support on non-Cisco devices.
- Enables neighbor discovery between non-Cisco devices.

## Cisco Discovery Protocol (CDP) versus LLDP

The CDP is a device discovery protocol that runs over Layer 2. Layer 2 is also known as the data link layer that runs on all Cisco devices, such as routers, bridges, access servers, and switches. This protocol allows the network management applications to automatically discover and learn about other Cisco devices that connect to the network.

The LLDP is also a device discovery protocol that runs over Layer 2. This protocol allows the network management applications to automatically discover and learn about other non-Cisco devices that connect to the network.

## Interoperability between non-Cisco devices using LLDP

LLDP is also a neighbor discovery protocol that is used by network devices to advertise information about themselves to other devices on the network. This protocol runs over the data link layer, which allows two systems running different network layer protocols to learn about each other.

With LLDP, the user can also access the information about a particular physical network connection. If the user uses a non-Cisco monitoring tool (via SNMP) LLDP helps you identify the Object Identifiers (OIDs) that the system supports. The following OIDs are supported:

- 1.0.8802.1.1.2.1.4.1.1.4
- 1.0.8802.1.1.2.1.4.1.1.5
- 1.0.8802.1.1.2.1.4.1.1.6
- 1.0.8802.1.1.2.1.4.1.1.7
- 1.0.8802.1.1.2.1.4.1.1.8
- 1.0.8802.1.1.2.1.4.1.1.9
- 1.0.8802.1.1.2.1.4.1.1.10
- 1.0.8802.1.1.2.1.4.1.1.11
- 1.0.8802.1.1.2.1.4.1.1.12

## Neighbor Discovery



System advertises the LLDP TLV (Type Length Value) details over the management network using which other devices in the management network can learn about this device.

### Prerequisites to Configure LLDP

- LLDP full stack functionality is supported on all the three management interfaces supported in NCS 1001 system.
- Users can selectively enable or disable LLDP on any of the management interfaces on demand.
- Users can selectively enable or disable LLDP transmit or receive functionality at the management interface level.
- Information gathered using LLDP can be stored in the device Management Information Database (MIB) and queried with the Simple Network Management protocol (SNMP).
- LLDP operational data are available in both Command Line Interface and netconf-yang interface.

### Enabling LLDP Globally

When the user enables LLDP globally, all interfaces that support LLDP are automatically enabled for both transmit and receive operations.



**Note** The user can override this default operation at the interface to disable receive or transmit operations.

The following table describes the global LLDP attributes that the user can configure:

**Table 1:**

Attribute	Default	Range	Description
Holdtime	120	0-65535	Specifies the hold time (in sec). Hold time refers to the time or duration that an LLDP device maintains the neighbor information before discarding.
Reinit	2	2-5	Delay (in sec) for LLDP initialization on any interface
Timer	30	5-65534	Specifies the rate at which LLDP packets are sent (in sec)

The following example shows the commands to configure LLDP globally. The global LLDP configuration enables LLDP on both mgmtEth 0/RP0/CPU0/0 and mgmtEth 0/RP0/CPU0/1 management interfaces.

```
RP/0/RP0/CPU0:ios#configure terminal
RP/0/RP0/CPU0:ios(config)#lldp management enable
RP/0/RP0/CPU0:ios(config)#lldp holdtime 30
RP/0/RP0/CPU0:ios(config)#lldp reinit 2
RP/0/RP0/CPU0:ios(config)#commit
RP/0/RP0/CPU0:ios(config)#end
```

## Verification

The user can verify the LLDP configuration using the `show running-config lldp` command.

The output of `show running-config lldp` command is as follows:

```
RP/0/RP0/CPU0:regen#show running-config lldp
Tue Dec 10 10:36:11.567 UTC
lldp
timer 30
reinit 2
holdtime 120
management enable
!
```

The user can verify the LLDP data using the `show lldp interface` and `show lldp neighbors` commands.

The output of `Show lldp interface` command is as follows:

```
RP/0/RP0/CPU0:regen#show lldp interface
Thu Nov 7 08:45:22.934 UTC
```

```
MgmtEth0/RP0/CPU0/0:
  Tx: enabled
  Rx: enabled
  Tx state: IDLE
  Rx state: WAIT FOR FRAME
```

```
MgmtEth0/RP0/CPU0/1:
  Tx: enabled
  Rx: enabled
  Tx state: IDLE
  Rx state: WAIT FOR FRAME
```

The output of `show lldp neighbors` command is as follows:

```
RP/0/RP0/CPU0:M-131#show lldp neighbors
Mon Dec 2 11:01:20.143 CET
Capability codes:
  (R) Router, (B) Bridge, (T) Telephone, (C) DOCSIS Cable Device
  (W) WLAN Access Point, (P) Repeater, (S) Station, (O) Other

Device ID      Local Intf          Hold-time  Capability  Port ID
[DISABLED]    MgmtEth0/RP0/CPU0/0  120       B           gi19
MYS-130       MgmtEth0/RP0/CPU0/1  120       R           MgmtEth0/RP0/CPU0/1
```

## Enabling LLDP on Each Management Interface

The following example shows the commands to configure LLDP at the management interface level.

```
RP/0/RP0/CPU0:ios#configure terminal
RP/0/RP0/CPU0:ios(config)#interface mgmtEth 0/RP0/CPU0/X
RP/0/RP0/CPU0:ios(config-if)#lldp enable
RP/0/RP0/CPU0:ios(config-if)#commit
RP/0/RP0/CPU0:ios(config-if)#end
```

## Disabling LLDP Transmit and Receive Operations

The following example shows the commands to disable the LLDP transmit operations at the specified management interface.

```
RP/0/RP0/CPU0:ios#configure terminal
RP/0/RP0/CPU0:ios(config)#interface mgmtEth 0/RP0/CPU0/X
RP/0/RP0/CPU0:ios(config-if)#lldp transmit disable
```

```
RP/0/RP0/CPU0:ios(config-if)#commit
RP/0/RP0/CPU0:ios(config-if)#end
```

The following example shows the commands to disable the LLDP receive operations at the specified management interface.

```
RP/0/RP0/CPU0:ios#configure terminal
RP/0/RP0/CPU0:ios(config)#interface mgmtEth 0/RP0/CPU0/X
RP/0/RP0/CPU0:ios(config-if)#lldp receive disable
RP/0/RP0/CPU0:ios(config-if)#commit
RP/0/RP0/CPU0:ios(config-if)#end
```

### Debugging LLDP Issues

The following commands are used for debugging issues in the LLDP functionality.

- show lldp traffic
- debug lldp all
- debug lldp errors
- debug lldp events
- debug lldp packets
- debug lldp tlvs
- debug lldp trace
- debug lldp verbose





## CHAPTER 2

# Configure Controllers

This chapter describes how to configure OTS and OTS OCH controllers.

- [Controllers](#), on page 7
- [Configure OTS Controller](#), on page 7
- [Display Parameters of OTS Controllers](#), on page 10
- [Span Loss Calculation](#), on page 12
- [Configure Span Loss Calculation](#), on page 13
- [Span Loss Calculation Use Cases](#), on page 15
- [Display Span Loss Calculation](#), on page 18
- [Dual IP Address](#), on page 19
- [Configure OTS OCH Controller](#), on page 19
- [Display Parameters of OTS OCH Controllers](#), on page 20
- [LLDP over OSC](#), on page 23

## Controllers

Controllers are represented in the Rack/Slot/Instance/Port format; for example, 0/1/0/1.

Rack	0
Slot	1 to 3. Slots for pluggable optical modules.
Instance	0
Port	Depends on the specific pluggable optical module.

## Configure OTS Controller

The Optical Transport Section (OTS) controller holds all the optical parameters for the OTS optical interfaces. The optical interface has different capabilities depending on its hardware components such as photodiode, VOA, amplifier, and OCM. Hence, the parameters enabled or disabled on the OTS controller depend on the actual hardware capability on the specific optical interface. Each parameter might refer to RX or TX section. For example, if a photodiode is present, the OTS controller can read the total optical power. When the controller is created, each hardware capability is enabled or disabled.

You can configure parameters such as low power threshold, VOA attenuation setpoint, amplifier gain range, amplifier tilt, and amplifier gain set point for the OTS controller. The description on OTS interfaces cannot be added as they are on the optical amplifier module. To configure the OTS controller, use the following commands.

### **configure**

**controller** *controllertype Rack/Slot/Instance/Port*

**rx enable**

**rx-low-threshold** *value*

**tx enable**

**tx-low-threshold** *value*

**rx-voa-attenuation** *value*

**tx-voa-attenuation** *value*

**ampli-control-mode** {**automatic** | **manual**}

**ampli-gain-range** {**normal** | **extended**}

**ampli-gain** *value*

**ampli-tilt** *value*

**ampli-channel-power** *value*

**channel-power-max-delta** *value*

**osri** {**on** | **off**}

**safety-control-mode** {**auto** | **disabled**}

**commit**

**end**

### **Example**

The following is a sample in which the amplifier gain range is set to extended and amplifier gain set point is set to 29.0 dB.

```
configure
  controller ots 0/3/0/0
  ampli-gain-range extended
  ampli-gain 290
  commit
end
```

The following is a sample in which the safety control mode of the pre-amplifier is set to auto.

```
configure
  controller ots 0/3/0/0
  safety-control-mode auto
  commit
end
```

The following is a sample in which the safety control mode of the booster amplifier is set to disabled.

```

configure
  controller ots 0/3/0/1
    safety-control-mode disabled
  commit
end

```

## OTS Controller Configuration Parameters

**Table 2: OTS Controller Configuration Parameters**

Parameter	Description	Hardware Capability	Range	Default	Notes
rx-low-threshold (0.1 dBm)	Low receive power threshold	Photodiode	-400 to +300	-40.0	
tx-low-threshold (0.1 dBm)	Low transmit power threshold	Photodiode	-400 to +300	-20.0	
rx-voa-attenuation (0.1 dBm)	RX VOA attenuation set point	VOA	0 to 200	0.0	
tx-voa-attenuation (0.1 dBm)	TX VOA attenuation set point	VOA	0 to 200	0.0	
ampli-control-mode	Amplifier control mode	Amplifier	automatic and manual	automatic	The Automatic value is compatible only when the grid is specified through the hw-module configuration.
ampli-gain-range	Amplifier gain range	Amplifier	normal and extended	normal	The amplifier gain range is configurable only when the controller is in shutdown state.
ampli-gain (0.1 dBm)	Amplifier gain set point	Amplifier	0 to 500	0.0	The actual range of amplifier gain set point depends on amplifier gain range.
ampli-tilt (0.1 dBm)	Amplifier tilt	Amplifier	-50 to +50	0.0	

Parameter	Description	Hardware Capability	Range	Default	Notes
channel-power-max-delta (0.1 dBm)	Maximum difference among all measured channel powers	Amplifier	0 to 200	3.0	
ampli-channel-power (0.1 dBm)	Amplifier per channel power set point	Amplifier	-400 to +300	0.0	
osri	Optical safety remote interlock	Amplifier	on and off	off	When osri is on, the laser is off and vice versa.
safety-control-mode	Safety control mode	Amplifier	auto and disabled	auto	If the safety control mode is disabled, the amplifier optical power is less than 20dB for safety.

## Display Parameters of OTS Controllers

Use this procedure to display the parameters of OTS controllers.

**show controllers** *controllertype Rack/Slot/Instance/Port* [**summary**]

- The **show controllers** command displays all the configuration parameters, PM thresholds and alarms when keywords are not provided.
- The **show controllers** command displays the rx/tx power value and minimal information to understand port status when **summary** keyword is provided.
- A \* wild card can be used to display all the controllers associated with a slot. For example, **show controllers ots 0/1/0/\* summary**

### Example

```
RP/0/RP0/CPU0:ios#show controllers ots 0/3/0/1
```

```
Wed Aug 23 09:08:27.962 UTC
```

```
Controller State: Up
```

```
Transport Admin State: In Service
```

```
Port Type: Line
```

```
Laser State: Off
```



```

Optics Status::

Alarm Status:
-----
Detected Alarms:
RX-LOC

Alarm Statistics:
-----
LOW-RX-PWR = 0
LOW-TX-PWR = 0
RX-LOS-P = 0
RX-LOC = 1
AMPLI-GAIN-DEG-LOW = 0
AMPLI-GAIN-DEG-HIGH = 0
AUTO-LASER-SHUT = 0
AUTO-POW-RED = 89
AUTO-AMPLI-CTRL-DISABLED = 0
AUTO-AMPLI-CFG-MISMATCH = 0
SWITCH-TO-PROTECT = 0
AUTO-AMPLI-CTRL-RUNNING = 0

Parameter Statistics:
-----
TX Power = -40.00 dBm
RX Power = -40.00 dBm
Ampli Gain = -1.00 dB
Ampli Tilt = 0.00
Total TX Power = -40.00 dBm
Total RX Power = -40.00 dBm

Configured Parameters:
-----
Rx Low Threshold = -25.0 dBm
Tx Low Threshold = -20.0 dBm
Ampli Gain = 1.00 dB
Ampli Tilt = 0.00
Ampli Channel power = 0.00 dBm
Channel Power Max Delta = 3.00 dBm
Ampli Control mode = Manual
Ampli Gain Range = Normal
Ampli Safety Control mode = auto
Osri = OFF

```

**Example**

```
RP/0/RP0/CPU0:ios#show controllers ots 0/1/0/1
```

```

Controller State: Down

Transport Admin State: In Service

Port Type: Line

Laser State: Apr

Optics Status::

```

```

Alarm Status:
-----

```

```

Detected Alarms:
    AUTO-POW-RED

Alarm Statistics:
-----
LOW-RX-PWR = 0
LOW-TX-PWR = 0
RX-LOS-P = 0
RX-LOC = 1
AMPLI-GAIN-DEG-LOW = 0
AMPLI-GAIN-DEG-HIGH = 0
AUTO-LASER-SHUT = 0
AUTO-POW-RED = 1
AUTO-AMPLI-CTRL-DISABLED = 0
AUTO-AMPLI-CFG-MISMATCH = 0
SWITCH-TO-PROTECT = 0
AUTO-AMPLI-CTRL-RUNNING = 0

Parameter Statistics:
-----
TX Power = -40.00 dBm
RX Power = -11.90 dBm
Ampli Gain = -1.00 dB
Ampli Tilt = -90.00
Total TX Power = 7.99 dBm
Total RX Power = -11.90 dBm
Ampli Gain Range = Normal
Ampli Safety Control mode = disabled
Osri = OFF
TX Enable = Enabled
RX Enable = Enabled
RX Span Loss = N/A
TX Span Loss = N/A
Rx Low Threshold Current = -25.0 dBm
Back Reflection = -6.40 dBm

Configured Parameters:
-----
Rx Low Threshold = -25.0 dBm
Tx Low Threshold = -20.0 dBm
Ampli Gain = 12.00 dB
Ampli Tilt = 0.00
Ampli Channel power = 0.00 dBm
Channel Power Max Delta = 3.00 dBm
Ampli Channel Psd = 31.250 nW/MHz
Rx Low Threshold Psd = 0.099 nW/MHz
Ampli Control mode = Manual
Ampli Safety Control mode = disabled
Osri = OFF
TX Enable = Enabled
RX Enable = Enabled

```

The **Back Reflection** parameter in 0.1 dBm is raised only on port 1. This parameter is raised on the line TX port of the booster amplifier.

## Span Loss Calculation

The Span Loss Calculation is an automatic calculation of span losses between NCS 1001 systems. This feature applies to each topology such as protected or non-protected, linear with or without ILA nodes in the middle.

The Span Loss Calculation is a software functionality available for OTS controller and it can be statically enabled or disabled through `hw-module` configuration. Span Loss calculation is made using the TX and RX total power on EDFA ports.

For this feature 2 new parameters are managed in the `show controller ots` command for EDFA cards:

- RX Span Loss
- TX Span Loss

The Span Loss Calculation runs automatically every 5 minutes when there is a configuration change. In the order of priority, the possible configurations are:

- Remote node.
- OSC through OSPF.

#### Limitation

- Span Loss calculation is done by considering the total power of the transmission end and receiver end on the EDFA ports. If the PSM card is connected to the span (for example, in case of Path Protection Topology), the span boundaries are assumed to be the closer EDFA ports.

## Configure Span Loss Calculation

*Table 3: Feature History*

Feature Name	Release Information	Description
IPv6 Support for Span Loss Calculation	Cisco IOS XR Release 7.10.1	You can now perform span loss calculations on IPv6 spans connecting two NCS 1001 nodes. As a result, the advantages of larger address space can be leveraged by configuring IPv6 addresses on the management interfaces used for communication between the two nodes.

From Release 7.10.1, in addition to IPv4, span loss calculation is performed using IPv6 addresses. The IPv6 addresses must be configured on the management interfaces of IPv6-enabled NCS 1001 nodes.

The feature uses DCN or OSC (OSPF) to allow the exchange of power measurement between the NCS systems (that are required to make calculation of span losses). In both cases, you must enable the feature and node type (TERM or ILA) on each of the systems.

#### Limitation of IPv6 Support:

Span loss calculation with IPv6 is not supported on the OSC management interfaces of NCS 1001 nodes, because even with the OSPFv3 protocol, discovery of the neighbor returns the IPv4 router ID instead of the IPv6 router ID. This makes it difficult to automatically resolve the IPv6 addressing.



**Note** IPv4 and IPv6 must be configured in a mutually exclusive way.

To enable the feature for an EDFA equipped in the slot of a TERM node, use these commands:

**#configure terminal**

**(config)#hw-module location 0/RP0/CPU0 slot *n* ampli span-loss**

**(config)#hw-module location 0/RP0/CPU0 slot *n* ampli node-type TERM**

**(config)#commit**

**(config)#end**

**Example:**

```
#configure terminal
(config)#hw-module location 0/RP0/CPU0 slot 1 ampli span-loss
(config)#hw-module location 0/RP0/CPU0 slot 1 ampli node-type TERM
(config)#commit
(config)#end
```

To enable the feature for an EDFA equipped in the slot of an ILA node, use these commands:

**#configure terminal**

**(config)#hw-module location 0/RP0/CPU0 slot *n* ampli span-loss**

**(config)#hw-module location 0/RP0/CPU0 slot *n* ampli node-type ILA**

**(config)#commit**

**(config)#end**

**Example:**

```
#configure terminal
(config)#hw-module location 0/RP0/CPU0 slot 1 ampli span-loss
(config)#hw-module location 0/RP0/CPU0 slot 1 ampli node-type ILA
(config)#commit
(config)#end
```

For both OSC (OSPF) and DCN Span Loss Calculation, use the commands below to define the local node IP, remote node IP, and remote card slot coupled with the local node on each system involved:

The commands to perform span loss calculation using the IPv4 address:

**#configure terminal**

**(config)# hw-module location 0/RP0/CPU0 slot *n* ampli remote-node local-ipv4 *LocalIPv4 address*  
remote-ipv4 *RemoteIPv4 address* remote-slot-id *m***

**(config)#commit**

**(config)#end**

where *n* is the slot number (1, 2 or 3) of the local EDFA involved.

*m* is the slot number (1, 2 or 3) of the EDFA equipped on the remote node.

*localIPv4* is the IP address of local node.

*remoteIPv4* is the IP address of remote node.

The commands to perform span loss calculation using the IPv6 address:

```
#configure terminal
```

```
(config)# hw-module location 0/RP0/CPU0 slot n ampli remote-node local-ipv6 LocalIPv6 address  
remote-ipv6 RemoteIPv6 address remote-slot-id m
```

```
(config)#commit
```

```
(config)#end
```

where *n* is the slot number (1, 2 or 3) of the local EDFA involved.

*m* is the slot number (1, 2 or 3) of the EDFA equipped on the remote node.

*localIPv6* is the IP address of local node.

*remoteIPv6* is the IP address of remote node.

You must wait for at least five minutes for the first automatic calculation to be triggered. To trigger the calculation, use this command:

```
#hw-module slot n span-loss calculation
```

For the examples for span loss calculation using the IPv4 or IPv6 address, see the [Span Loss Calculation Use Cases](#), on page 15.

## Span Loss Calculation Use Cases

A span loss calculation configuration is done based on these use cases:

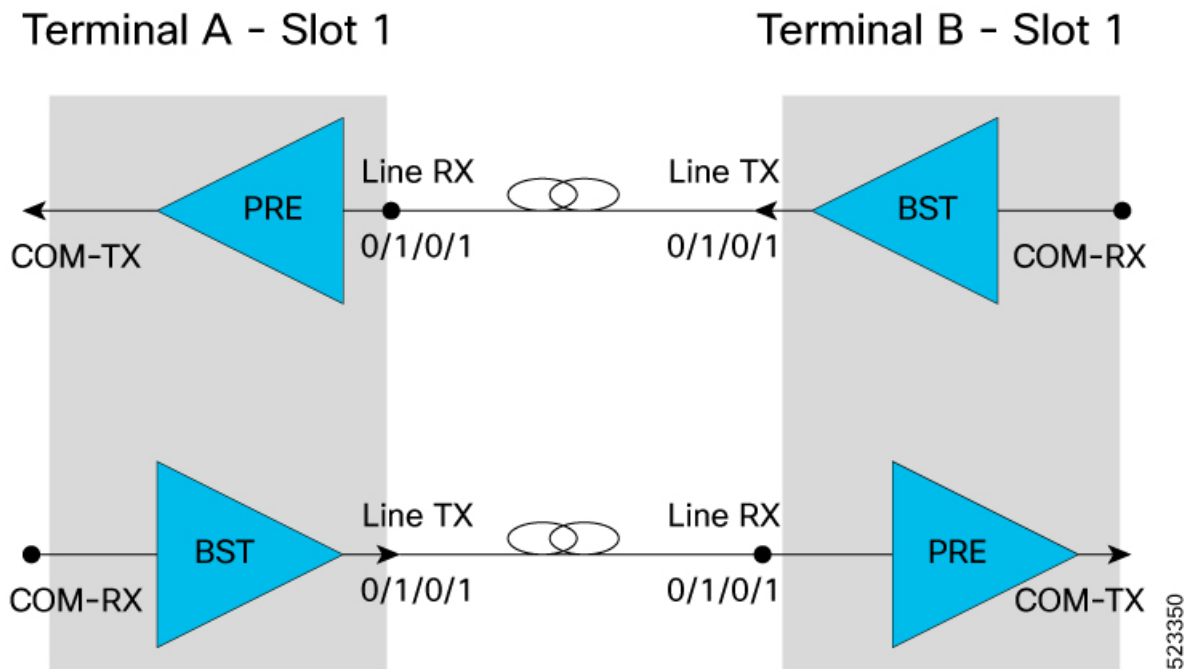
- Two terminal nodes connected to each other (Terminal to Terminal)
- Two terminal nodes connected through an ILA node (Terminal to ILA to Terminal)

Span Loss Calculation for local and remote nodes must be configured using either the IPv4 or IPv6 address. Both these addresses should not be used at the same time for the calculation.

Therefore, in the span loss calculation configuration examples below, even if the IPv4 and IPv6 addresses are used, these configurations are mutually exclusive.

### Use Case 1: Terminal to Terminal

Terminal node A (IP address: 192.0.2.144(IPv4) or 2001:DB8:4491:2000::229:144(IPv6)) with a EDFA in slot number 1 connected to the EDFA in slot number 1 of Terminal node B (IP address: 192.0.2.146(IPv4) or 2001:DB8:4491:2000::229:146(IPv6)).



For each EDFA module, it is necessary to configure remote node feature and the span loss using these CLI commands:

#### Terminal A configurations using IPv4 and IPv6:

```
#configure terminal (IPv4)
(config)# hw-module location 0/RP0/CPU0 slot 1 ampli remote-node local-ipv4 192.0.2.144
remote-ipv4 192.0.2.146 remote-slot-id 1
(config)#hw-module location 0/RP0/CPU0 slot 1 ampli span-loss
(config)#commit
(config)#end

#configure terminal (IPv6)
(config)# hw-module location 0/RP0/CPU0 slot 1 ampli remote-node local-ipv6
2001:DB8:4491:2000::229:144 remote-ipv6 2001:DB8:4491:2000::229:146 remote-slot-id 1
(config)#hw-module location 0/RP0/CPU0 slot 1 ampli span-loss
(config)#commit
(config)#end
```

#### Terminal B Configurations using IPv4 and IPv6:

```
#configure terminal (IPv4)
(config)# hw-module location 0/RP0/CPU0 slot 1 ampli remote-node local-ipv4 192.0.2.146
remote-ipv4 192.0.2.144 remote-slot-id 1
(config)#hw-module location 0/RP0/CPU0 slot 1 ampli span-loss
(config)#commit
(config)#end

#configure terminal (IPv6)
(config)# hw-module location 0/RP0/CPU0 slot 1 ampli remote-node local-ipv6
2001:DB8:4491:2000::229:146 remote-ipv6 2001:DB8:4491:2000::229:144 remote-slot-id 1
(config)#hw-module location 0/RP0/CPU0 slot 1 ampli span-loss
(config)#commit
(config)#end
```

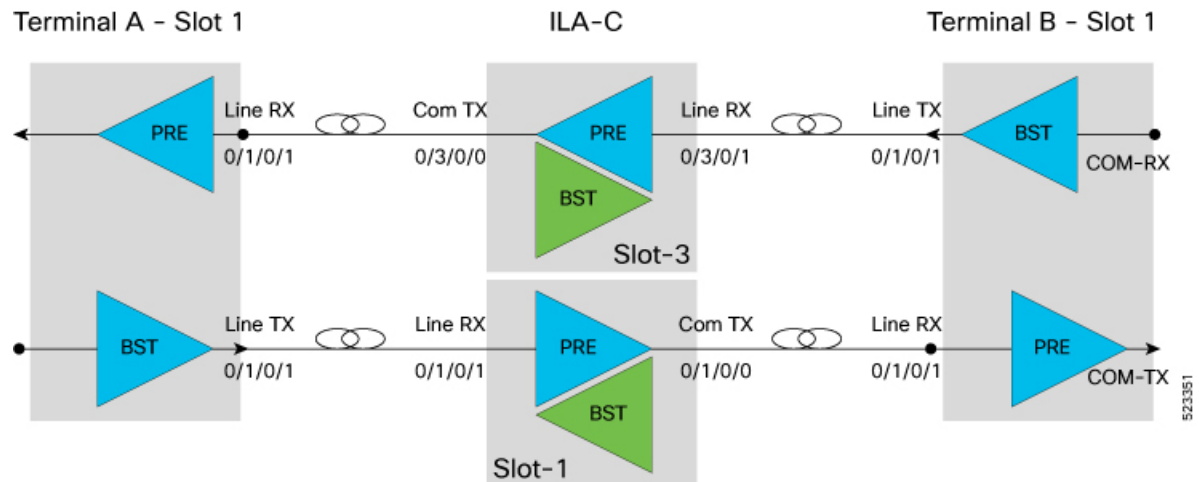
**Use Case 2: Terminal to ILA to Terminal**

Terminal A (IP address: 192.0.2.144(IPv4) or 2001:DB8:4491:2000::229:144(IPv6)) with a EDFA in slot number 1 with COM-TX port connected to LINE-RX EDFA in slot 1 ILA-C (IP address: 192.0.2.145(IPv4) or 2001:DB8:4491:2000::229:145(IPv6))

ILA C with a EDFA in slot number 1 with COM-TX port connected to LINE-RX EDFA in slot 1 of Terminal B (IP address: 192.0.2.146 (IPv4) or 2001:DB8:4491:2000::229:146)

ILA C with a EDFA in slot number 3 with COM-TX port connected to LINE-RX EDFA in slot 1 Terminal A

Terminal B with a EDFA in slot number 1 with COM-TX port connected to LINE-RX EDFA in slot 3 ILA.

**Terminal A Configuration using IPv4 and IPv6:**

```
#configure terminal (IPv4)
(config)# hw-module location 0/RP0/CPU0 slot 1 ampli remote-node local-ipv4 192.0.2.144
remote-ipv4 192.0.2.145 remote-slot-id 1
(config)#hw-module location 0/RP0/CPU0 slot 1 ampli span-loss
(config)#commit
(config)#end
```

```
#configure terminal (IPv6)
(config)# hw-module location 0/RP0/CPU0 slot 1 ampli remote-node local-ipv6
2001:DB8:4491:2000::229:144 remote-ipv6 2001:DB8:4491:2000::229:145 remote-slot-id 1
(config)#hw-module location 0/RP0/CPU0 slot 1 ampli span-loss
(config)#commit
(config)#end
```

**ILA Configuration using IPv4 and IPv6:**

```
#configure terminal (IPv4)
(config)# hw-module location 0/RP0/CPU0 slot 1 ampli remote-node local-ipv4 192.0.2.145
remote-ipv4 192.0.2.146 remote-slot-id 1
(config)#hw-module location 0/RP0/CPU0 slot 1 ampli span-loss
(config)#commit
(config)#end
```

```
#configure terminal (IPv6)
(config)# hw-module location 0/RP0/CPU0 slot 1 ampli remote-node local-ipv6
2001:DB8:4491:2000::229:145 remote-ipv6 2001:DB8:4491:2000::229:146 remote-slot-id 1
(config)#hw-module location 0/RP0/CPU0 slot 1 ampli span-loss
(config)#commit
(config)#end
```

```
#configure terminal (IPv4)
(config)# hw-module location 0/RP0/CPU0 slot 3 ampli remote-node local-ipv4 192.0.2.145
remote-ipv4 192.0.2.144 remote-slot-id 1
(config)#hw-module location 0/RP0/CPU0 slot 1 ampli span-loss
(config)#commit
(config)#end

#configure terminal (IPv6)
(config)# hw-module location 0/RP0/CPU0 slot 3 ampli remote-node local-ipv6
2001:DB8:4491:2000::229:145 remote-ipv6 2001:DB8:4491:2000::229:144 remote-slot-id 1
(config)#hw-module location 0/RP0/CPU0 slot 1 ampli span-loss
(config)#commit
(config)#end
```

### Terminal B Configuration using IPv4 and IPv6:

```
#configure terminal (IPv4)
(config)# hw-module location 0/RP0/CPU0 slot 1 ampli remote-node local-ipv4 192.0.2.146
remote-ipv4 192.0.2.145 remote-slot-id 3
(config)#hw-module location 0/RP0/CPU0 slot 1 ampli span-loss
(config)#commit
(config)#end

#configure terminal (IPv6)
(config)# hw-module location 0/RP0/CPU0 slot 3 ampli remote-node local-ipv6
2001:DB8:4491:2000::229:146 remote-ipv6 2001:DB8:4491:2000::229:145 remote-slot-id 3
(config)#hw-module location 0/RP0/CPU0 slot 3 ampli span-loss
(config)#commit
(config)#end
```

## Display Span Loss Calculation

Once the feature is enabled and after the first span loss calculation, the loss calculated (for both IPv4 and IPv6) can be retrieved using the `show controller ots` command. In the output RX Span Loss and TX Span Loss are added. RX Span Loss and TX Span Loss are obtained as a result of difference between **TX Total Power** and **RX Total Power** read on the edge of the span.

In case of a TERM node, the command is applied to LINE port. For example, in case of EDFA in slot 1, the span loss calculated are shown in the output of the following command:

```
#show controllers ots 0/1/0/1
...
...
RX Span Loss = 15.20 dB
TX Span Loss = 14.80 dB
...
...
```

In case of an ILA node, the command is applied to LINE port (`controller ots 0/slot/0/1`) to obtain RX Span Loss of related span, and to COM port (`controllers ots 0/slot/0/0`) to obtain TX Span Loss of related span.

For example, in case of an EDFA of ILA site equipped in slot 3:

```
show controllers ots 0/3/0/1
...
RX Span Loss = 12.40 dB
show controllers ots 0/3/0/0
...
TX Span Loss = 11.90 dB
```



## Dual IP Address

Dual independent XR interfaces allows you to connect the two ethernet interfaces to two different switches of different subnet and also of the same subnet. From release 6.5.1, there are different ports from the ethernet switch MGMT RJ45, and Optical SFP MGMT to the CPU.

The two different Management Ethernet interfaces in to XR are:

- MgmtEth 0/RP0/CPU0/0 (already existing) representing the RJ45 port.
- MgmtEth 0/RP0/CPU0/1 (new one) representing the SFP port.

iPXE is not supported at power-on over the new optical interface.

Upgrades from previous releases using only SFP loses MGMT connectivity. In this case, you must configure through Console port.

Before using the two different interfaces, you must upgrade the BIOS and reload the 0/RP0 location.

The following example shows the output of the *show running-config* command:

### Example

```
RP/0/RP0/CPU0:MYST-144#show running-config
...
interface MgmtEth0/RP0/CPU0/0
  ipv4 address xxx.xxx.xxx.xxx yy.yyy.yyy.yyy
!
interface MgmtEth0/RP0/CPU0/1
  ipv6 address xxxx:xxxx:xxxx:xxxx::xxx:xxx/yy
  ipv6 enable
!
interface MgmtEth0/RP0/OSC1/0
  shutdown
!
interface MgmtEth0/RP0/OSC2/0
  shutdown
!
interface MgmtEth0/RP0/OSC3/0
  shutdown
!
```

## Configure OTS OCH Controller

The Optical Transport Section OCH (OTS OCH) controller represents the OCM device available on the OTS optical interface. This controller is created to have channel granularity over the OTS interface. The OTS OCH controller contains the wavelength information. The controller number starts from 1 and matches with the ITU channel identifier.

Several OTS OCH controllers are created for each OTS Controller depending on the grid configuration (ITU 100GHz or 50GHz Grid). 48 OTS OCH controllers are created for a 100GHz grid and 96 OTS OCH controllers are created for a 50GHz grid.

You can configure the parameters such as RX low power threshold and TX low power threshold for the OTS OCH controller. To configure the OTS OCH controller, use the following commands.

### configure

**controller** *controllertype Rack/Slot/Instance/Port*

**rx-low-threshold** *value*

**tx-low-threshold** *value*

**commit**

**end**

### Example

```
configure
  controller ots-och 0/1/0/0
  rx-low-threshold -30
  tx-low-threshold -35
  commit
end
```

### OTS OCH Controller Configuration Parameters

Table 4: OTS OCH Controller Configuration Parameters

Parameter	Description	Hardware Capability	Range	Default
rx-low-threshold (0.1 dBm)	Low receive power threshold	OCM	-500 to +300	-25.0
tx-low-threshold (0.1 dBm)	Low transmit power threshold	OCM	-500 to +300	-25.0

## Display Parameters of OTS OCH Controllers

Use this procedure to display the parameters of OTS OCH controllers.

**show controllers** *controllertype Rack/Slot/Instance/Port/Channel-number* [**summary**]

- The **show controllers** command displays all the configuration parameters, PM thresholds and alarms when keywords are not provided.
- The **show controllers** command displays the rx/tx power value and wavelength when **summary** keyword is provided.
- A \* wild card can be used to display all the OTS OCH controllers associated with a OTS controller. For example, **show controllers ots-och 0/1/0/\* summary**

### Example

```
RP/0/RP0/CPU0:ios#show controllers ots-och 0/3/0/1/1
```

```
Fri Feb 24 13:20:18.456 CET

Controller State: Up

Transport Admin State: Maintenance
```

Port Type: Line

Laser State: Unknown

Optics Status::

Alarm Status:

-----  
Detected Alarms:None

Alarm Statistics:

-----  
LOW-RX-PWR = 0  
LOW-TX-PWR = 0

Parameter Statistics:

-----  
TX Power = -3.30 dBm  
RX Power = -21.10 dBm  
TX psd = 13.586 nW/MHz  
RX psd = 0.220 nW/MHz  
Channel Central Frequency = 196100.0 GHz  
Channel Width = 50.0 GHz

Configured Parameters:

-----  
Rx Low Threshold = -25.0 dBm  
Tx Low Threshold = -25.0 dBm

**RP/0/RP0/CPU0:ios#show controllers ots-och 0/2/0/0/\* summary**

Fri Oct 9 10:37:50.109 CEST

Port	Type	Status	TX Power	RX Power	TX psd	RX psd
Central Frequency	Channel Width		(dBm)	(dBm)	nW/MHz)	(nW/MHz)
(GHz)	(GHz)					
-----	-----		-----	-----	-----	-----
Ots-Och0_2_0_0_1	Com	N/A	-18.30	-19.30	0.392	0.333
196100.0	75.0					
Ots-Och0_2_0_0_2	Com	N/A	-19.10	-19.80	0.094	0.068
196025.0	75.0					
Ots-Och0_2_0_0_3	Com	N/A	-18.00	-18.90	0.450	0.392
195950.0	75.0					
Ots-Och0_2_0_0_4	Com	N/A	-16.90	-17.60	0.318	0.290
195875.0	75.0					
Ots-Och0_2_0_0_5	Com	N/A	-18.10	-19.20	0.326	0.290
195800.0	75.0					
Ots-Och0_2_0_0_6	Com	N/A	-19.50	-19.90	0.059	0.041
195725.0	75.0					
Ots-Och0_2_0_0_7	Com	N/A	-18.60	-19.00	0.471	0.450
195650.0	75.0					
Ots-Och0_2_0_0_8	Com	N/A	-17.00	-17.60	0.304	0.318
195575.0	75.0					
Ots-Och0_2_0_0_9	Com	N/A	-18.50	-19.20	0.318	0.297
195500.0	75.0					
Ots-Och0_2_0_0_10	Com	N/A	-17.60	-18.00	0.318	0.297
195425.0	75.0					
Ots-Och0_2_0_0_11	Com	N/A	-18.50	-19.00	0.401	0.374

## Display Parameters of OTS OCH Controllers

195350.0	75.0						
Ots-Och0_2_0_0_12	Com	N/A	-17.70	-18.00	0.188	0.253	
195275.0	75.0						
Ots-Och0_2_0_0_13	Com	N/A	-18.90	-19.70	0.304	0.271	
195200.0	75.0						
Ots-Och0_2_0_0_14	Com	N/A	-20.50	-20.90	0.242	0.236	
195125.0	75.0						
Ots-Och0_2_0_0_15	Com	N/A	-24.00	-27.40	0.031	0.011	
195050.0	75.0						
Ots-Och0_2_0_0_16	Com	N/A	-17.80	-18.40	0.215	0.242	
194975.0	75.0						
Ots-Och0_2_0_0_17	Com	N/A	-18.50	-19.10	0.318	0.290	
194900.0	75.0						
Ots-Och0_2_0_0_18	Com	N/A	-16.90	-17.30	0.333	0.297	
194825.0	75.0						
Ots-Och0_2_0_0_19	Com	N/A	-18.10	-18.90	0.410	0.366	
194750.0	75.0						
Ots-Och0_2_0_0_20	Com	N/A	-17.00	-17.50	0.357	0.366	
194675.0	75.0						
Ots-Och0_2_0_0_21	Com	N/A	-18.50	-19.30	0.326	0.290	
194600.0	75.0						
Ots-Och0_2_0_0_22	Com	N/A	-17.20	-17.70	0.259	0.265	
194525.0	75.0						
Ots-Och0_2_0_0_23	Com	N/A	-18.40	-19.10	0.410	0.392	
194450.0	75.0						
Ots-Och0_2_0_0_24	Com	N/A	-16.50	-16.90	0.450	0.430	
194375.0	75.0						
Ots-Och0_2_0_0_25	Com	N/A	-24.30	-28.90	0.040	0.000	
194300.0	75.0						
Ots-Och0_2_0_0_26	Com	N/A	-16.60	-16.90	0.326	0.297	
194225.0	75.0						
Ots-Och0_2_0_0_27	Com	N/A	-18.10	-18.70	0.420	0.410	
194150.0	75.0						
Ots-Och0_2_0_0_28	Com	N/A	-16.80	-16.90	0.383	0.392	
194075.0	75.0						
Ots-Och0_2_0_0_29	Com	N/A	-19.10	-19.80	0.333	0.311	
194000.0	75.0						
Ots-Och0_2_0_0_30	Com	N/A	-16.90	-17.10	0.284	0.311	
193925.0	75.0						
Ots-Och0_2_0_0_31	Com	N/A	-18.70	-19.20	0.374	0.383	
193850.0	75.0						
Ots-Och0_2_0_0_32	Com	N/A	-17.20	-17.40	0.374	0.392	
193775.0	75.0						
Ots-Och0_2_0_0_33	Com	N/A	-18.60	-19.10	0.410	0.410	
193700.0	75.0						
Ots-Och0_2_0_0_34	Com	N/A	-17.30	-17.60	0.311	0.311	
193625.0	75.0						
Ots-Och0_2_0_0_35	Com	N/A	-18.90	-19.10	0.392	0.401	
193550.0	75.0						
Ots-Och0_2_0_0_36	Com	N/A	-18.00	-18.20	0.265	0.265	
193475.0	75.0						
Ots-Och0_2_0_0_37	Com	N/A	-19.50	-20.00	0.304	0.318	
193400.0	75.0						
Ots-Och0_2_0_0_38	Com	N/A	-17.80	-17.90	0.265	0.311	
193325.0	75.0						
Ots-Och0_2_0_0_39	Com	N/A	-18.60	-19.00	0.383	0.392	
193250.0	75.0						
Ots-Och0_2_0_0_40	Com	N/A	-16.80	-17.00	0.383	0.392	
193175.0	75.0						
Ots-Och0_2_0_0_41	Com	N/A	-18.70	-19.10	0.440	0.450	
193100.0	75.0						
Ots-Och0_2_0_0_42	Com	N/A	-16.80	-17.10	0.374	0.349	
193025.0	75.0						
Ots-Och0_2_0_0_43	Com	N/A	-18.90	-19.40	0.401	0.420	

192950.0	75.0					
Ots-Och0_2_0_0_44	Com	N/A	-17.00	-17.40	0.450	0.440
192875.0	75.0					
Ots-Och0_2_0_0_45	Com	N/A	-18.50	-18.80	0.392	0.392
192800.0	75.0					
Ots-Och0_2_0_0_46	Com	N/A	-17.40	-17.60	0.284	0.271
192725.0	75.0					
Ots-Och0_2_0_0_47	Com	N/A	-24.40	-31.50	0.064	0.000
192650.0	75.0					
Ots-Och0_2_0_0_48	Com	N/A	-19.20	-19.60	0.410	0.430
192575.0	75.0					
Ots-Och0_2_0_0_49	Com	N/A	-18.70	-19.40	0.392	0.383
192500.0	75.0					
Ots-Och0_2_0_0_50	Com	N/A	-17.10	-17.60	0.374	0.326
192425.0	75.0					
Ots-Och0_2_0_0_51	Com	N/A	-19.10	-19.50	0.401	0.401
192350.0	75.0					
Ots-Och0_2_0_0_52	Com	N/A	-20.40	-20.50	0.357	0.311
192275.0	75.0					
Ots-Och0_2_0_0_53	Com	N/A	-24.70	-34.20	0.042	0.000
192200.0	75.0					
Ots-Och0_2_0_0_54	Com	N/A	-17.60	-18.10	0.201	0.236
192125.0	75.0					
Ots-Och0_2_0_0_55	Com	N/A	-18.50	-19.10	0.401	0.392
192050.0	75.0					
Ots-Och0_2_0_0_56	Com	N/A	-17.20	-17.80	0.341	0.284
191975.0	75.0					
Ots-Och0_2_0_0_57	Com	N/A	-25.60	-30.40	0.050	0.000
191900.0	75.0					
Ots-Och0_2_0_0_58	Com	N/A	-17.40	-17.90	0.220	0.188
191825.0	75.0					
Ots-Och0_2_0_0_59	Com	N/A	-19.40	-20.40	0.333	0.290
191750.0	75.0					
Ots-Och0_2_0_0_60	Com	N/A	-27.10	-38.90	0.023	0.000
191675.0	75.0					
Ots-Och0_2_0_0_61	Com	N/A	-26.00	-38.90	0.031	0.000
191600.0	75.0					
Ots-Och0_2_0_0_62	Com	N/A	-19.50	-20.10	0.133	0.045
191525.0	75.0					
Ots-Och0_2_0_0_63	Com	N/A	-19.20	-19.90	0.401	0.392
191450.0	75.0					
Ots-Och0_2_0_0_64	Com	N/A	-17.30	-17.60	0.333	0.333
191375.0	75.0					

From R7.3.1, a decimal place is introduced for Central Frequency and Channel Width columns.

## LLDP over OSC

**Table 5: Feature History**

Feature Name	Release	Description
LLDP over OSC	Cisco IOS XR Release 7.3.1	LLDP is supported on the OSC management interface for point-to-point local link discovery through OSC channel. This helps you to gather information about the neighboring devices in the network.

The output of **show lldp neighbors** command, when you enable LLDP on a OSC interface is as follows:

```
RP/0/RP0/CPU0:MYS-130#show lldp neighbors
Mon Feb 22 08:29:20.189 UTC
Capability codes:
(R) Router, (B) Bridge, (T) Telephone, (C) DOCSIS Cable Device
(W) WLAN Access Point, (P) Repeater, (S) Station, (O) Other

Device ID Local Intf Hold-time Capability Port ID
MYS-131 MgmtEth0/RP0/OSC3/1 120 R MgmtEth0/RP0/OSC1/0
```



## CHAPTER 3

# Configure Optical Modules

This chapter describes how to configure the Optical Amplifier Module and Protection Switching Module (PSM).



**Note** When you plan to replace a configured optical module with a different type of optical module, you must clear the configurations of the old module before you install the new module. For example, when replacing a configured EDFA module with a PSM in the same slot, clear the EDFA configurations.

In general, configurations in a card equipped in an NCS 1001 slot include:

- Card configuration—hw-module parameters configuration related to the slot *S* where the card is equipped
- OTS controller configurations
- Optics controller configurations—only for EDFA cards

The following commands clear the configurations in the previous card.

1. `no hw-module location 0/RP0/CPU0 slot <S>`

Clear the card parameters configuration.

2. `no controller ots Rack/Slot/Instance/Port`

Clear each OTS controller configuration.

3. `no controller optics Rack/Slot/Instance/Port`

(Optional) Clear the controller optics configurations. This must be done only if the card previously equipped in slot *S* was an EDFA.

- [Optical Amplifier Module, on page 26](#)
- [Amplifier Configuration, on page 28](#)
- [Configure Amplifier Module, on page 30](#)
- [Configure Flex Channels on the Amplifier Module, on page 31](#)
- [Modify Central Frequency and Channel Width on the Amplifier Module, on page 33](#)
- [In-Line Amplifier, on page 34](#)
- [Configure Amplifier Module in ILA Manual Mode, on page 35](#)
- [Configure Amplifier Module in ILA Automatic Mode, on page 35](#)
- [Gridless OCM Support, on page 37](#)

- Protection Switching Module, on page 38
- Configure Protection Switching Module, on page 39
- Autothreshold for Protection Switching Module , on page 41
- Configure rx-low-threshold for PSM, on page 42
- Enable Autothreshold for PSM, on page 45
- Configure Relative Switch Threshold for PSM, on page 45
- Automated OTS-OCH Thresholds on Amplifier, on page 46
- PSM Virtual Photodiode, on page 47
- PSM 3-way Protection, on page 48
- PSM Revertive Switch, on page 49
- Configure PSM Revertive Switch, on page 49
- OSC, on page 51
- Remote Management, on page 51
- Network Topology Discovery, on page 52
- Configure Management and OSC Interfaces, on page 52
- Configure Static Routes, on page 53
- Configure OSPF Routes, on page 53
- Verify OSPF Routing Table, on page 54
- Troubleshooting Network Issues, on page 54

## Optical Amplifier Module

*Table 6: Feature History*

Feature Name	Release Information	Feature Description
Amplifier Behaviour	Cisco IOS XR Release 7.3.1	<p>Grid mode configuration for the optical amplifier has been extended to support 75GHz spaced channels.</p> <p>You can optimize the optical spectrum and granularity using the gridless configuration. You can provision channels with arbitrary channel frequencies and channel widths. Up to 96 channels can be configured using the gridless configuration.</p> <p>Commands modified:</p> <ul style="list-style-type: none"> <li>• hw-module</li> <li>• show controllers</li> </ul>

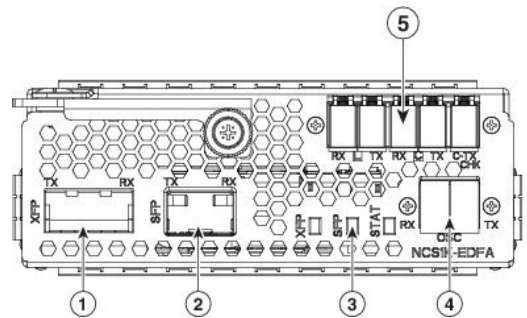
The optical amplifier module (NCS1K-EDFA) has pre-amplifier and booster amplifier.

The optical amplifier module provides the following functionality.



- Preamplifier (LINE-RX to COM-TX) - Single preamplifier variant, with switchable gain ranges, according to link loss:
  - Range # 1: 0 to 24 dB gain, Tilt control: 24 to 27 gain, with tilt uncontrolled
  - Range # 2: 20 to 34 dB gain, Tilt control: 34 to 37 dB gain, with tilt uncontrolled
  - 23dBm output power @ COM-TX port
- Booster amplifier (COM-RX to LINE-TX) - True variable gain booster amplifier
  - Gain range: 1 to 20. 20 to 25 uncontrolled tilt.
  - 23dBm output power @ LINE-TX port
- ADD/DROP OSC channel supports both 1510nm and 1610nm +/-10nm
- OCM assesses channel presence and Gain regulation and per channel power monitoring.

Figure 1: EDFA Front View



1	XFP for OSC and additional OTDR feature
2	SFP for OSC (Optical Service Channel)
3	Status LED
4	Service Channel input and output port [OSC - RX, TX]
5	PRE and BST amplifier inputs and output ports [L (LINE) - RX, TX] [C (COM) - RX, TX] [COM - CHECK]

The following table describes the mapping of controllers and optical ports for the optical amplifier module.

Controller	Optical Ports
Ots 0/slot/0/0	<ul style="list-style-type: none"> <li>• COM-RX (booster input)</li> <li>• COM-TX (preamplifier output)</li> </ul>

Controller	Optical Ports
Ots 0/slot/0/1	<ul style="list-style-type: none"> <li>• LINE-RX (preamplifier input)</li> <li>• LINE-TX (booster output)</li> </ul>
Ots 0/slot/0/2	<ul style="list-style-type: none"> <li>• OSC-RX</li> <li>• OSC-TX</li> </ul>
Ots 0/slot/0/3	COM-CHECK

### COM-CHECK CONFIGURATION

The COM-CHECK configuration is described below.

- Safety must be ensured to protect the fiber intra-node from the pre-amplifier to the Mux or Demux section for the total output power on COM-TX port upto 23 dB. This is required to compensate for an extremely lengthy span.
- If the output power on COM-TX is less than or equal to 20 dB, the com-check port may not be used and can be turned off. Also no physical connection between the pre COM-CHECK and Demux monitor port is required.
- Safety on pre is necessary in some cases such as large spans over high power requirements.
- The COM-CHECK PD9 is the safety port.
- The COM-RX like controller Ots 0/s/0/0 is not part of safety.
- The safety restart process is similar to the booster case, with some difference in the **APR Check** phase.

## Amplifier Configuration

NCS 1001 supports two methods to control amplifiers.

- Manual-All the amplifier settings are controlled by the user.
- Automatic-All the amplifier settings are controlled by the internal amplifier power regulator.

### UDC Port Configuration

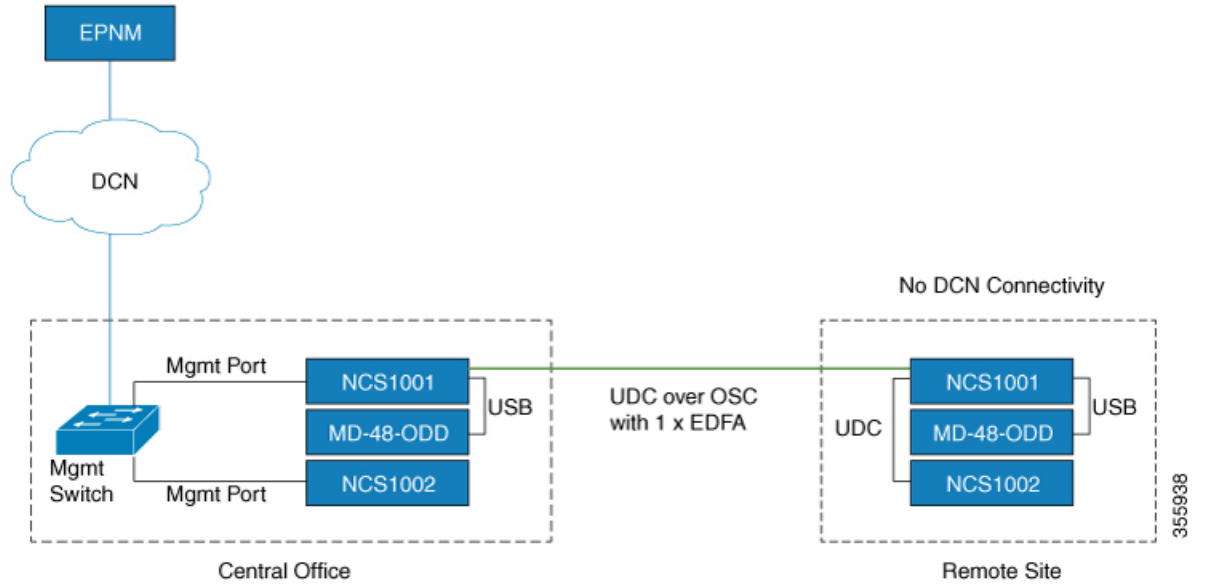
There are three UDC RJ-45 ports on the faceplate of NCS 1001. Each port is statically associated with a slot (UDC1 to slot 1, UDC2 to slot 2 and UDC3 to slot3). UDC ports are one Gigabit Ethernet ports and the user can transmit any Ethernet traffic into these ports.

UDC traffic flows through the line, added and dropped by the OSC add/drop filters in the optical amplifier module (NCS1K-EDFA). UDC traffic flows through the line tagged. The tagging and untagging operations are performed by NCS 1001, based on the UDC VLAN specified in the configuration, without any limit on the transmitted traffic. The traffic can be tagged, multiple tagged, or untagged. However, 100% utilization cannot be achieved because four bytes of tag are added to each packet.

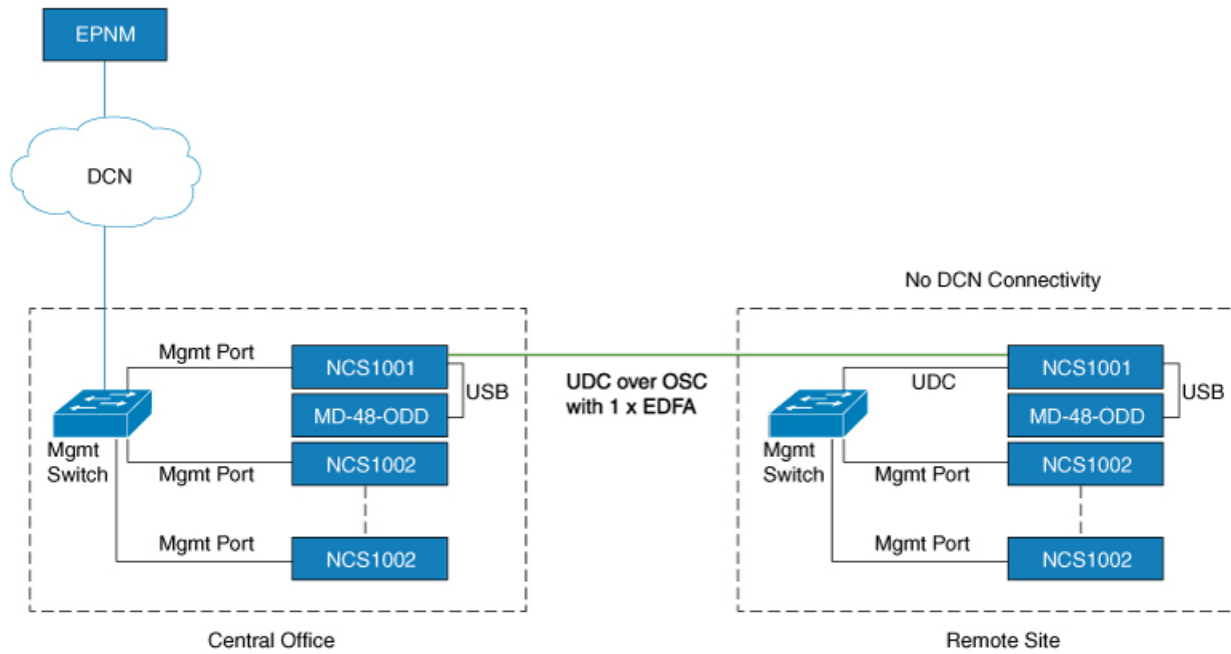
### UDC Application for Remote Management

The following diagrams describe the application of UDC that can be used by EPNM to manage NCS 1000 series at the remote site.

**Figure 2: UDC Application for Remote Management - Scenario One**



**Figure 3: UDC Application for Remote Management - Scenario Two**



# Configure Amplifier Module

**configure**

**hw-module location 0/RP0/CPU0 slot *slot-number* ampli**

**node-type *value***

**grid-mode *value***

**udc-vlan *value***

**commit**

**end**

## Example

The following is a sample in which the amplifier module is inserted in slot 3 and udc-vlan is set to 4000.

```
configure
hw-module location 0/RP0/CPU0 slot 3 ampli
[
  grid-mode 100GHz
  udc-vlan 4000
]
```

## Amplifier Module Configuration Parameters

Table 7: Amplifier Module Configuration Parameters

Parameter	Description	Range/Values	Default
grid-mode	Defines the optical spectrum on the interfaces of the amplifier module.	<ul style="list-style-type: none"> <li>100GHz-Configures the amplifier with 100GHz grid of channels with 48 channel spacing.</li> <li>50GHz-Configures the amplifier with 50GHz grid of channels with 96 channel spacing.</li> <li>75GHz-Configures the amplifier with 75GHz grid of channels with 64 channel spacing.</li> </ul> <p><b>Note</b> The new optical passive multiplexer and de-multiplexer module, NCS1K-MD-64-C, introduced in R7.3.1, allows you to configure the amplifier with 75GHz grid of channels.</p> <ul style="list-style-type: none"> <li>gridless-Configures the amplifier in the flex spectrum.</li> </ul>	50GHz
node-type	Defines the type of the node in which the amplifier is set to work.	TERM, ILA	TERM
udc-vlan	Defines the VLAN associated to the selected slot and its UDC port.	2 to 4080	

## Configure Flex Channels on the Amplifier Module

You can optimize the optical spectrum and granularity using the gridless configuration. In gridless configuration, the fixed ITU-T grid that defines specific channel frequencies and channel widths is not taken into account. You can provision channels with arbitrary channel frequencies and channel widths. You can configure up to 96 channels using the gridless configuration.



**Note** Automatic Power Control (APC) regulation in gridless configuration is based on controller **ampli-channel-psd** parameter.

### configure

**hw-module location 0/RP0/CPU0 slot** *slot-number* **ampli grid-mode gridless**

**hw-module location 0/RP0/CPU0 slot** *slot-number* **ampli flex-chan-id** *channel-id* **chan-central-freq** *frequency* **chan-width** *width*

### commit

### end



**Note** The new channel is configured only if it does not overlap with the existing channel.

**Table 8: Flex Channel Configuration Parameters**

Parameter	Description	Range/Values
flex-chan-id	Defines the channel identifier.	1 to 96
chan-central-freq	Defines central frequency of the channel.	191350 to 196100 in multiples of 125
chan-width	Defines the width of the channel.	500 (50.0 GHz) to 8000 (800.0 GHz) in multiples of 12.5 GHz

### Example

The following is a sample in which the amplifier module is configured in flex spectrum.

```
configure
hw-module location 0/RP0/CPU0 slot 2 ampli grid-mode gridless
hw-module location 0/RP0/CPU0 slot 2 ampli flex-channel-id 5
chan-central-freq 1931750 chan-width 6500
commit
end
```

The following sample shows the configured channel with its frequency and width.

**RP0/RP0/CPU0#show controllers ots-och 0/2/0/0/5 summary**

```
Fri Oct 9 10:43:44.002 CEST
Port          Type      Status  TX Power  RX Power
              (dBm)    (dBm)
-----
Ots-Och0_2_0_0_5  Com      N/A     -8.60     -8.90
TX psd        RX psd    Central  Channel
(nW/MHz)      (nW/MHz) Frequency Width
              (GHz)    (GHz)
-----
0.410         0.450    193175.0  650.0
```

```
RP/0/RP0/CPU0#show controllers ots-och 0/2/0/0/5
```

```
Fri Oct 9 10:46:33.046 CEST
```

```
Controller State: Up
```

```
Transport Admin State: Maintenance
```

```
Port Type: Com
```

```
Laser State: Unknown
```

```
Optics Status::
```

```
Alarm Status:
```

```
-----
```

```
Detected Alarms: None
```

```
Alarm Statistics:
```

```
-----
```

```
LOW-RX-PWR = 0
```

```
LOW-TX-PWR = 0
```

```
RX-LOS-P = 0
```

```
RX-LOC = 0
```

```
AMPLI-GAIN-DEG-LOW = 0
```

```
AMPLI-GAIN-DEG-HIGH = 0
```

```
AUTO-LASER-SHUT = 0
```

```
AUTO-POW-RED = 0
```

```
AUTO-AMPLI-CTRL-DISABLED = 0
```

```
AUTO-AMPLI-CFG-MISMATCH = 0
```

```
SWITCH-TO-PROTECT = 0
```

```
AUTO-AMPLI-CTRL-RUNNING = 0
```

```
Parameter Statistics:
```

```
-----
```

```
TX Power = -8.60 dBm
```

```
RX Power = -8.90 dBm
```

```
TX psd = 0.440 nW/MHz
```

```
RX psd = 0.450 nW/MHz
```

```
Channel Central Frequency = 193175.0 GHz
```

```
Channel Width = 650.0 GHz
```

```
Configured Parameters:
```

```
-----
```

```
Rx Low Threshold = -25.0 dBm
```

```
Tx Low Threshold = -25.0 dBm
```

## Modify Central Frequency and Channel Width on the Amplifier Module

You can change the central frequency, channel width, or both for a configured channel ID. The channel ID cannot be arbitrarily changed before unconfiguring the channel.

### Example

The following sample changes the central frequency of the channel.

```
hw-module location 0/RP0/CPU0 slot 1 ampli flex-channel-id 24
chan-central-freq 1949000 chan-width 500
```

The following sample changes the channel width for the same channel.

```
hw-module location 0/RP0/CPU0 slot 1 ampli flex-channel-id 24
chan-central-freq 1949000 chan-width 1500
```

The following sample changes both the central frequency and channel width of the channel.

```
hw-module location 0/RP0/CPU0 slot 1 ampli flex-channel-id 24
chan-central-freq 1932625 chan-width 6125
```

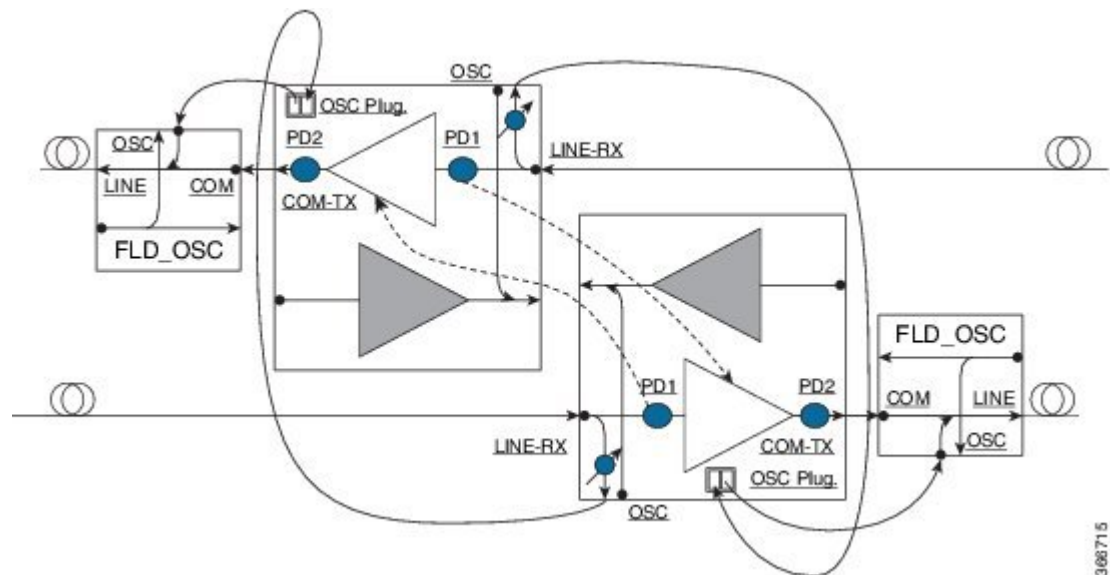
## In-Line Amplifier

The optical amplifier module (NCS1K-EDFA) can be configured in In-line amplifier (ILA) mode. ILA mode is used when it is not possible to connect to terminal nodes with a single span. ILA mode is supported only in slots 1 and 3.

ILA mode supports only the operation of preamplifier in the two directions. The booster module is switched off in ILA mode. ILA mode supports gain range 1 and 2 of the preamplifier and provides 23dBm output power pre-amplification.

In the ILA mode, the LINE-RX and COM-TX ports of the optical amplifier module are enabled whereas the LINE-TX and COM-RX ports of the optical amplifier module are disabled. OCM reports LINE-RX and COM-TX port values whereas LINE-TX and COM-RX port values are set to -40.00 dBm. In the ILA mode, the LINE-RX terminates on the LINE-RX on the optical amplifier module whereas the LINE-TX terminates on the external OSC module (15216-FLD-OSC=).

**Figure 4: ILA Optical Diagram**



306715



## Configure Amplifier Module in ILA Manual Mode

When the amplifier is set to ILA, all the configurations are performed only on the pre-amplifier. After the node is set to ILA, the amplifier gain, RX-low threshold, and the amplifier tilt can be configured on the pre-amplifier.

**configure**

**hw-module location 0/RP0/CPU0 slot *slot-number* ampli node-type *value***

**commit**

**end**

**controller *controllertype* Rack/Slot/Instance/Port**

**ampli-control-mode {automatic | manual}**

**ampli-gain *value***

**rx-low-threshold *value***

**ampli-tilt *value***

**commit**

**end**

### Example

The following is a sample in which the amplifier module is configured in ILA manual mode. The node type is set to ILA. This parameter switches off the booster side and activate safety between slots 1 and 3.

```
configure
  hw-module location 0/RP0/CPU0 slot 3 ampli node-type iLA
  commit
end
controller ots 0/3/0/0
ampli-control-mode manual
ampli-gain 200
rx-low-threshold -300
ampli-tilt -10
commit
end
```

## Configure Amplifier Module in ILA Automatic Mode

The configurations performed on the amplifier module in ILA automatic mode are similar to the configurations performed on the terminal node. The configurations are performed only on the pre-amplifier as the booster is switched off in ILA mode.

**configure**

**hw-module location 0/RP0/CPU0 slot *slot-number* ampli**

**grid-mode *value***

```

node-type value
commit
end
controller controllertype Rack/Slot/Instance/Port
ampli-control-mode {automatic | manual}
ampli-channel-power value
ampli-tilt value
rx-low-threshold value
channel-power-max-delta value
ampli-gain value
ampli-gain-range {normal | extended}
commit
end

```

### Example

The following is a sample in which the amplifier module is configured in ILA automatic mode.

```

configure
  hw-module location 0/RP0/CPU0 slot 3 ampli
  grid-mode 50GHz
  node-type iLA
  commit
  end
  controller ots 0/3/0/0
  ampli-control-mode automatic
  ampli-channel-power 30
  ampli-tilt -10
  rx-low-threshold -331
  ampli-gain 220
  ampli-gain-range extended
  commit
end

```

The following is a sample of **show running-config** command.

```

line console
exec-timeout 0 0
!
line default
exec-timeout 0 0
session-timeout 0
!
ntp
server 10.58.228.1
update-calendar
!
hw-module location 0/RP0/CPU0 slot 1
ampli udc-vlan 11
ampli grid-mode 50GHz
ampli node-type ILA

```

```

!
hw-module location 0/RP0/CPU0 slot 3
ampli udc-vlan 10
ampli grid-mode 50GHz
ampli node-type ILA
!
interface MgmtEth0/RP0/CPU0/0
ipv4 address 10.58.229.143 255.255.252.0
!
interface MgmtEth0/RP0/OSC1/0
shutdown
!
interface MgmtEth0/RP0/OSC2/0
shutdown
!
interface MgmtEth0/RP0/OSC3/0
shutdown
!
controller Ots0/1/0/0
ampli-tilt -12
ampli-control-mode automatic
ampli-channel-power 22
channel-power-max-delta 45
!
controller Ots0/1/0/1
rx-low-threshold -250
!
controller Ots0/3/0/0
ampli-tilt -12
ampli-control-mode automatic
ampli-channel-power 22
channel-power-max-delta 45
!
controller Ots0/3/0/1
rx-low-threshold -250
!
router static
address-family ipv4 unicast
    0.0.0.0/0 10.58.228.1
!
!
netconf-yang agent
ssh
!
ssh server v2
end

```

## Gridless OCM Support

### Overview

The Gridless OCM (Optical Channel Monitor) support feature is introduced to support transponders with channel width between 50GHz to 100GHz. In R7.1.1, the channel width can be set between 50GHz to 800GHz in multiples of 25GHz. In the gridless mode, the amplifier gain is calculated using the power spectral density parameter and not the per channel power parameter. The flex grid provides the capability to support 600G interface of NCS 1004.

### Limitation

- The setting of a channel width disables the nearest channels.

### Configure the Channel Width

The channel width can be set between 1000 and 8000.

The following command configures the channel width as 100GHz. This means that the channels are spaced on eight slices at 12.5GHz each.

```
hw-module location 0/RP0/CPU0 slot 1 ampli flex-mode flex-spectrum
channel-id 1 channel-width 1000
```

The following command configures the channel width as 800GHz. This means that the channels are spaced on eight slices at 100GHz each.

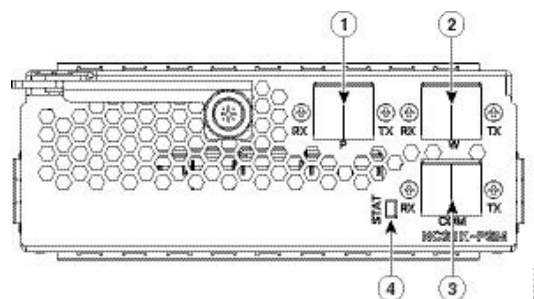
```
hw-module location 0/RP0/CPU0 slot 1 ampli flex-mode flex-spectrum
channel-id 10 channel-width 8000
```

## Protection Switching Module

The protection switching module (NCS1K-PSM) provides the following functionality.

- In TX section:
  - Splits input optical channels to both working and protection lines.
  - Forces the switch in the remote site by opening one of the two line paths (by putting the related VOA in AVS).
- In RX section:
  - Selects the signals from working or protection line. Each line is monitored through a PD.
  - Balances the two line losses by changing the VOA attenuation value at the same time of the switch change of state.

**Figure 5: PSM Front View**



1	Protected path input and output port [P - RX, TX]
2	Working path input and output port [W - RX, TX]
3	COM input and output port [COM - RX, TX]
4	Status LED

The following table describes the mapping of controllers and optical ports for the protection switching module.

Controller	Optical Ports
Ots 0/slot/0/0	COM-TX
Ots 0/slot/0/1	Working path input and output port [W - RX, TX]
Ots 0/slot/0/2	Protected path input and output port [P - RX, TX]

## Configure Protection Switching Module

The following table explains the possible configuration on Protection Switching Module:

### PSM Module Configuration Parameters

*Table 9: PSM Module Configuration Parameters*

Parameter	Description	Range/Values
lockout-from	Excludes the selected port from protection.  Triggers a switch when the active port is specified in the lockout.  For example, configuring a lockout-from working port triggers a switch to protect when working port is the active one.  While lockout-from protected port triggers a switch to working when protected port is the active one.	Working and Protected
path-protection	Enables the PSM path protection.	
section-protection	Enables the PSM section protection.	
uni-dir	Enables the PSM uni directional (in switches only).	
auto-threshold	Enables the PSM auto threshold setting.	

### Example

The following is an example of configuration of a lockout from working in which the PSM is inserted in slot 2.

```
conf t
```

```
#hw-module location 0/RP0/CPU0 slot 2 psm lockout-from "working"
commit
```

You can apply manual switching by using the following command:

**hw-module slot *slot number* manual-switch-to working | protected**

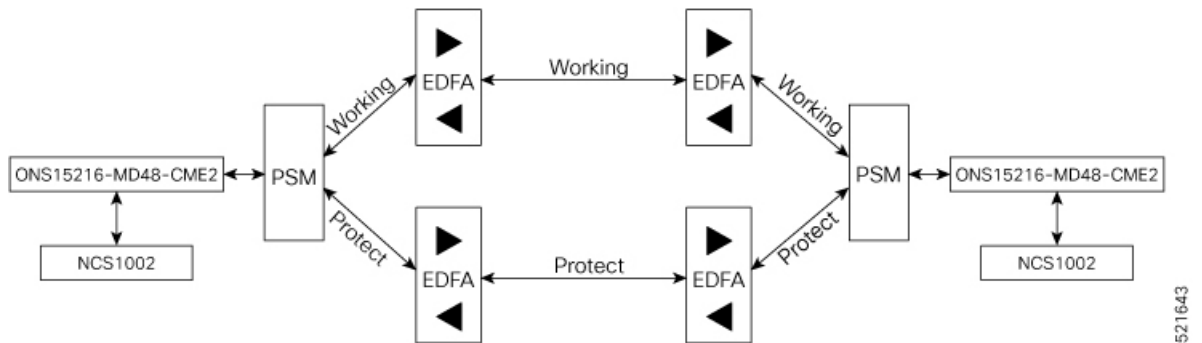
The switch by user command from the path without the ILA node in the middle is performed bi-directionally. If the ILA and terminal nodes are in section-protection, the manual and lockout switch command from the path with ILA node in the middle are performed uni-directionally.



**Note** FPD upgrade on FW\_PSMv1 from FW 1.43 and FW 1.44 to FW 1.45 affects the traffic.

(From R6.2.1) **Section Protection**

**Figure 6: Section Protection Topology**



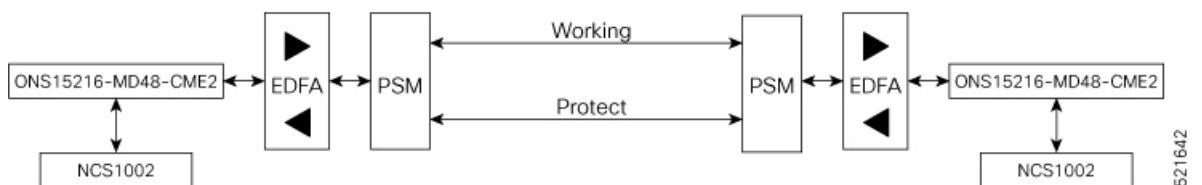
See the PSM Module Configuration Parameters section to set the section-protection parameter on both the PSMs. Ensure that the PSM in a section protection topology is inserted in slot 2. Connect the EDFA in slot 1 to the Protected port of the PSM and EDFA in slot 3 to the Working port of the PSM.



**Note** To measure the correct switching time while testing the section protection topology, we recommend you to wait for 120 seconds between two subsequent switching events (or between a switching event and the restoration). This waiting period allows the EDFAs to stabilize after the first switching occurrence, thus avoiding the power at the PSM to oscillate around the threshold.

(From R6.3.2) **Path Protection**

**Figure 7: Path Protection Topology**



See the PSM Module Configuration Parameters section to set the path-protection parameter on both the PSMs.

**Protection Switching Module with Manual Threshold**

The switch can operate in all conditions, if it is set in Autothreshold.

When the path protection is configured with a manual threshold, you must ensure that:

- During the first installation, the value on the PSM RX-low Threshold should be set as 3 dB below the minimum power for a single channel. The value must ensure that the PSM is able to switch on with a single channel or when the EDFA is in APR (+8 dBm).
- When the system is up and running with the final number of channels, the PSM RX-low Threshold must be set 3 dB below the target power.
- After a fiber cut and restore, in order to ensure that the PSM is able to switch on, it is necessary to set the value of PSM RX-low Threshold similar to the value set during the first installation.

The PSM Auto-threshold configuration is highly recommended for a three-way topology.

In a three-way topology, when the path protection is configured with a manual threshold, you must follow the above steps. If you did not configure all the above steps properly, you may encounter the following issues:

- Switch may not be bidirectional.
- Double switch on PSM in path protection, when set in three-way configuration.

It is possible to configure parameters such as rx-enable, tx-enable in OTS controllers (1 or 2, i.e. working or protected port) of PSM card.

For more information on OTS controllers, see [Configure OTS Controller, on page 7](#).

## Autothreshold for Protection Switching Module

When auto-threshold is not enabled, the RX-low threshold value active on PSM working and protected RX-ports can either be set by the user or the default values can be used.

The current threshold is the configured parameter if the values set are available in the show controller command output. The current value is -38dBm (default values), if the user doesn't have configured any value for those parameters.

If auto-threshold is enabled on the PSM, the RX-low thresholds values for port 1 and 2 configured by the user are ignored (current thresholds is not the configured parameter). When the auto threshold is enabled on the PSM card:

- If optical Power at Working-RX and Protected-RX port is stable (+/- 1 dB) for 2 minutes, related RX-Low threshold is automatically set to RX power – 3dB.
- If power is not stable, the related thresholds do not change.
- W-RX and P-RX are regulated independently.

The LOS-P behavior on the auto-threshold are:

- When a LOS-P alarm is detected on the working or protected RX-port, in case of auto-threshold is enabled, the related threshold remains the same. This behavior happens when the RX power is less than the related threshold on the RX-port working or protected.
- When the LOS-P alarm is cleared in the first 30 seconds, the ordinary auto-threshold mechanism is applied. This behavior happens after 2 minutes of stable RX-power and when the RX-low threshold is changed to the new RX power -3 dB.

- When the LOS-P is present after 30 seconds, the RX-low threshold is automatically moved to the values set by the user.
- When the LOS-P is cleared, the ordinary auto-threshold mechanism is applied again. This behavior happens when the RX power is higher than the related current threshold.

## Configure rx-low-threshold for PSM

You must configure the **rx-low-threshold** parameter before enabling auto-threshold on PSM.

PSM auto-threshold feature monitors the W-RX/P-RX ports of the PSM module for actual received power. When the received power is stable, the feature sets the **rx-low-threshold** value of the W-RX/P-RX ports with the current power value. The current value of the threshold is set to 3 dB lower than the received power. If there is LOS at the W-RX/P-RX ports due to fiber cut or temporary disruption of received power, the feature restores the **rx-low-threshold** value of the W-RX/P-RX ports to the configured value.

```
RP/0/RP0/CPU0:ios#show controllers ots 0/2/0/1
Parameter Statistics:
-----
      RX Power = -4.00 dBm
      Rx Low Threshold Current = -7.0 dBm   <<< current value (auto-threshold)

Configured Parameters:
-----
      Rx Low Threshold = -38.0 dBm <<< configured value (user configured)
```

We recommend to configure both the **rx-low-threshold** and **auto-threshold** values of the PSM module according to the following guidelines:

### Configure PSM W/RX Threshold (Ots0\_2\_0\_1/Working) with Amplifier Control Mode as Manual

#### 1. show hw-module slot 3 channel-trail-view active

```
Channel Trail View - Active - dBm
=====
                                     BST: 0/COM=>1/LINE
      PRE: 1/LINE=>0/COM
Och Name      Wavelength(nm) Freq(GHz)  Width(GHz) Rx pwr (dBm) Tx pwr (dBm)  Rx pwr (dBm)
Tx pwr (dBm)
-----
Ots-Och0_2_0_0_1  1528.77    196100.0   50.0    -6.10    -4.90    -2.50
6.20
Ots-Och0_2_0_0_2  1529.16    196050.0   50.0    -5.90    -4.60    -2.20
6.50
Ots-Och0_2_0_0_3  1529.55    196000.0   50.0    -6.00    -4.80    -2.30
6.30
Ots-Och0_2_0_0_4  1529.94    195950.0   50.0    -6.10    -4.90    -2.40
6.20
Ots-Och0_2_0_0_5  1530.33    195900.0   50.0    -6.30    -5.20    -2.60
6.00
Ots-Och0_2_0_0_6  1530.72    195850.0   50.0    -6.50    -5.30    -2.80
5.90
```

Examine the **PRE: 1/LINE=>0/COM** column in the command output and choose the lowest channel **Tx pwr** value from all the active channels.

#### 2. configure



### 3. controller ots 0/2/0/1 rx-low-threshold 49

Set the threshold value manually to (lowest channel Tx power – 1 dBm). In the above example, channel Ots-Och0\_2\_0\_0\_6 is at the lowest Tx power 5.90 dBm. Hence, the threshold value on PSM W/RX port will be  $5.90 - 1 = 4.90$  dBm.

If the system works without any grid mode configuration, the channel-trail-view command is not available because channel mapping configuration is not available.

To identify the lowest channel Tx pwr value, use the following show command.

#### show controllers ots0/3/0/0 spectrum-info

```
Tx power :
-----
spectrum-slice num                Tx-power values (dBm)
-----
 1 - 8                -47.20 -47.20 -47.20 -36.40    -47.20 -47.20 -47.20 -47.20
 9 - 16               -47.20 -47.20 -43.70 -43.70    -47.20 -36.60 -47.20 -43.20
17 - 24               -47.20 -35.80 -47.20 -47.10    -41.90 -43.20 -42.20 -40.30
25 - 32               -40.30 -47.20 -41.70 -41.70    -37.50 -47.20 -47.20 -41.90
33 - 40               -41.90 -47.20 -45.90 -42.10    -42.10 -46.30 -41.60 -39.10
41 - 48               -41.20 -47.20 -35.80 -45.10    -45.30 -45.30 -40.10 -40.10
49 - 56               -45.50 -42.60 -45.30 -47.20    -47.20 -40.50 -47.20 -45.80
57 - 64               -38.60 -40.30 -40.30 -47.20    -47.20 -39.40 -43.10 -43.10
65 - 72               -42.20 -42.20 -47.20 -47.20    -38.80 -47.20 -47.20 -41.30
73 - 80               -47.20 -43.00 -40.10 -40.10    -47.20 -36.10 -39.40 -45.70
81 - 88               -47.20 -41.50 -39.00 -42.50    -47.20 -47.20 -34.30 -47.20
89 - 96               -47.20 -47.20 -39.90 -39.70    -47.20 -47.20 -47.20 -47.20
97 - 104              -47.20 -45.10 -39.90 -41.30    -47.20 -39.80 -37.80 -42.00
```

All the slice power values are expressed in PSD (Power Spectral Density) units of measure [dBm/12.5GHz]. Each slice value is converted to linear mWatt using the formula  $10^{(N/10)}$ . For example,  $-20$  dBm =  $10^{(-20/10)} = 0.01$  mWatt and  $0$  dBm =  $10^0 = 1$  mWatt.

Each slice group that composes a channel will be algebraically added to obtain the integral channel power. For example, the first channel of 50GHz occupies the slice range [1-4], 2nd channel [5-8] and so on. The first channel of 75GHz occupies the slice range [1-5],[6-11] and so on. The first channel of 100 GHz occupies the slice range [1-6],[7-14] and so on.

Each channel power that falls below the **rx-low-threshold** value is excluded from the list of active channels. The channel that has the least value above the **rx-low-threshold** value is chosen.

### Configure PSM P/RX Threshold (Ots0\_2\_0\_2/Protected) with Amplifier Control Mode as Manual

#### 1. show hw-module slot 1 channel-trail-view active

```
Channel Trail View - Active - dBm
=====
                                           BST: 0/COM=>1/LINE
PRE: 1/LINE=>0/COM
Och Name      Wavelength(nm) Freq(GHz)  Width(GHz) Rx pwr (dBm) Tx pwr (dBm)  Rx pwr (dBm)
Tx pwr (dBm)
-----
Ots-Och0_2_0_0_1 1528.77      196100.0   50.0      -6.10      -4.90      -2.50
5.00
Ots-Och0_2_0_0_2 1529.16      196050.0   50.0      -5.90      -4.60      -2.20
5.20
Ots-Och0_2_0_0_3 1529.55      196000.0   50.0      -6.00      -4.80      -2.30
```

```

5.10
Ots-Och0_2_0_0_4 1529.94 195950.0 50.0 -6.10 -4.90 -2.40
5.00
Ots-Och0_2_0_0_5 1530.33 195900.0 50.0 -6.30 -5.20 -2.60
5.00
Ots-Och0_2_0_0_6 1530.72 195850.0 50.0 -6.50 -5.30 -2.80
4.80

```

Examine the **PRE: 1/LINE=>0/COM** column in the command output and choose the lowest channel **Tx pwr** value from all the active channels.

## 2. configure

### 3. controller ots 0/2/0/2 rx-low-threshold 38

Set the threshold value manually to (lowest channel Tx power – 1 dBm). In the above example, channel Ots-Och0\_2\_0\_0\_6 is at the lowest Tx power 4.80 dBm. Hence, the threshold value on PSM W/RX port will be  $4.80 - 1 = 3.80$  dBm.

## Configure PSM W/RX Threshold (Ots0\_2\_0\_1/Working) with Amplifier Control Mode as Automatic

### 1. show controllers ots 0/3/0/0

Configured Parameters:

```
-----
Ampli Channel power = 0.00 dBm
```

Examine the **ampli-channel-power Tx** value in the command output.

## 2. configure

### 3. controller ots 0/2/0/1 rx-low-threshold -10

Set the threshold value manually to (ampli-channel-power – 1 dBm). In the above example, **ampli-channel-power Tx** value is 0 dBm. Hence, the threshold value on PSM W/RX port will be  $0 - 1 = -1$  dBm.

## Configure PSM P/RX Threshold (Ots0\_2\_0\_2/Protected) with Amplifier Control Mode as Automatic

### 1. show controllers ots 0/1/0/0

Configured Parameters:

```
-----
Ampli Channel power = 2.00 dBm
```

Examine the **ampli-channel-power Tx** value in the command output.

## 2. configure

### 3. controller ots 0/2/0/2 rx-low-threshold 10

Set the threshold value manually to (ampli-channel-power – 1 dBm). In the above example, **ampli-channel-power Tx** value is 2 dBm. Hence, the threshold value on PSM W/RX port will be  $2 - 1 = 1$  dBm.

# Enable Autothreshold for PSM

## Before You Begin

[Configure rx-low-threshold for PSM, on page 42](#)

This procedure enables automatic thresholds for PSM. The configuration to set auto threshold mechanism are:

**configure**

**hw-module location 0/RP0/CPU0 slot *slot number* psm auto-threshold**

**commit**

**end**

*slot number* is the slot where the PSM is inserted.

## Example

The following is a sample for enabling autothreshold on a PSM equipped in slot 1.

```
RP/0/RP0/CPU0:MYS-237#configure terminal
RP/0/RP0/CPU0:MYS-237(config)#hw-module location 0/RP0/CPU0 slot 1 psm auto-threshold
RP/0/RP0/CPU0:MYS-237(config)#commit
eRP/0/RP0/CPU0:MYS-237(config)#end
```

# Configure Relative Switch Threshold for PSM

Relative switch threshold allows you to manually configure the delta threshold on PSM at which the working path switches to the protected path. Relative switch threshold can be configured on PSM only if **auto-threshold** or **revertive wtr** are not configured. You can configure the relative switch threshold using the following commands:

**configure terminal**

**hw-module location 0/RP0/CPU0 slot *slot number* psm relative-switch-threshold *value*  
relative-switch-threshold-offset *value***

**commit**

**end**

For more information about these commands, see [Command Reference for Cisco NCS 1001](#).

## Example

```
RP/0/RP0/CPU0:MYS-237#configure terminal
RP/0/RP0/CPU0:MYS-237(config)#hw-module location 0/RP0/CPU0 slot 1 psm
relative-switch-threshold 120 relative-switch-threshold-offset -150
RP/0/RP0/CPU0:MYS-237(config)#commit
eRP/0/RP0/CPU0:MYS-237(config)#end
```

## Automated OTS-OCH Thresholds on Amplifier

The automated OTS-OCH thresholds can be enabled or disabled on each EDFA (Erbium Doped Fiber Amplifier) card equipped on the node itself. It applies on the EDFA OTS controllers and on all the related OTS-OCH controller ports.

When the automatic threshold function is enabled on the amplifier, the threshold value to set is determined using the following formula:

$$rx\text{-low-threshold} = (\text{Remote AmplChannel} - \text{RXSpanloss}) - \text{User Threshold Offset}.$$

Where

*Remote AmplChannel* is the ampli channel power set on the remote node for ots controller tx port of remote EDFA.

*RXSpanloss* is the RX Span Loss calculated on the local node.

*User Threshold Offset* is the ampli-auto-rxlow-threshold threshold-offset set on the local node for EDFA in slot 1.

Any modification to each of the parameters included in the formula does not automatically account for the calculation of the rx-low threshold value. To calculate a different rx-low-threshold value correspondingly, you must execute the following CLI command:

**hw-module slot<n>ampli-auto-rxlow-threshold threshold-offset <value>**

Example: hw-module slot 1ampli-auto-rxlow-threshold threshold-offset 400

### Command Parameters:

- **<n> (1,2 3)**: This parameter designates the specific slot where the EDFA card is installed within the device.
- **<value> ( 0-800)**: This parameter represents the desired adjustment to the Amplifier RX-LOW threshold, specified in tenths of dBm.

### Limitations

- This feature works, only if the user has configured span loss calculation. Refer Span Loss Calculation section in the Configure Controllers chapter of the configuration guide.

### Configure Automatic Thresholds

This procedure enables automatic thresholds for EDFA. The configuration to set automatic threshold mechanism are:

**configure terminal**

**hw-module location 0/RP0/CPU0 slot slot number ampli auto-threshold**

**commit**

**end**

*slot number* is the slot where the EDFA is inserted.

**Example**

The following is a sample for enabling autothreshold on an EDFA inserted in slot 1.

```
RP/0/RP0/CPU0:MYS-237#configure terminal
RP/0/RP0/CPU0:MYS-237(config)#hw-module location 0/RP0/CPU0 slot 1 ampli auto-threshold
RP/0/RP0/CPU0:MYS-237(config)#commit
eRP/0/RP0/CPU0:MYS-237(config)#end
```

**Verification**

The following is a sample for checking whether the auto-threshold is configured.

```
#show running hw-module location 0/RP0/CPU0 slot 1 ampli
...
ampli span-loss
ampli node-type TERM
ampli remote-node local-ipv4 10.58.xxx.xxx remote-ipv4 10.58.xxx.xxx remote-slot-id 3
ampli auto-threshold
```

## PSM Virtual Photodiode

Protection Switching Module (PSM) Virtual diode provides an optical power reading even if photodiodes are not available. PSM does not have photodiode on COM-RX. There are two photodiodes on Working-TX and Protected-TX present after the VOA.

The value of power on Com-RX is real, if at least one value between the W-TX and the P-TX power is not equal to -40 dB (related port in AVS).

When both the power of W-TX and P-TX are equal to -40dB (both related VOA in AVS-Automatic VOA Shutdown), it is impossible to calculate the real power on Com-RX port, and the value will be shown as -40dB.

The feature does not require any configuration. There is a change only in the *show controllers ots 0/<slot>/0/0* command, which shows the RX power on Com-RX port. RX low power alarm is not managed on Com-RX port.

**Example for show controller**

```
RP/0/RP0/CPU0:ios#show controllers ots 0/2/0/0
```

```
Wed Jan 24 14:33:22.898 CET

Controller State: Up

Transport Admin State: In Service

Port Type: Com

Laser State: Unknown

Optics Status::

Alarm Status:
-----
Detected Alarms: None

Alarm Statistics:
-----
```

```

LOW-RX-PWR = 0
LOW-TX-PWR = 0
RX-LOS-P = 0
RX-LOC = 0
AMPLI-GAIN-DEG-LOW = 0
AMPLI-GAIN-DEG-HIGH = 0
AUTO-LASER-SHUT = 0
AUTO-POW-RED = 0
AUTO-AMPLI-CTRL-DISABLED = 0
AUTO-AMPLI-CFG-MISMATCH = 0
SWITCH-TO-PROTECT = 0
AUTO-AMPLI-CTRL-RUNNING = 0

```

Parameter Statistics:

```

-----
TX Power = 15.30 dBm
RX Power = 5.30 dBm
tx-enable = 1
rx-enable = 1

```

Configured Parameters:

```

-----
tx-enable = 1
rx-enable = 1

```

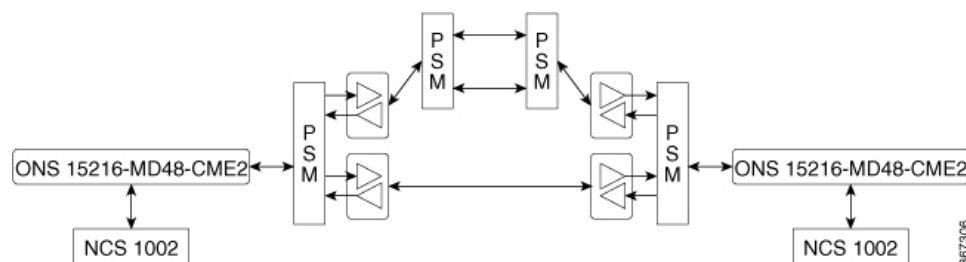
## PSM 3-way Protection

NCS 1001 supports Protection Switching Module (PSM) 3-way protection scheme formed by combining a Section Protection scheme with a Path Protection scheme. There is no configuration change required in PSM to implement the PSM 3-way protection scheme. The Path Protection scheme is in the middle of one of the two paths of Section Protection scheme.

For the outer section protection it is suggested to use the PSM automatic threshold configuration.

**Figure 8: 3-way Protection Network Topology**

**Figure 9: 3-way Protection Network Topology**



The 3-way Protection Scheme has the following limitations:

- For each PSM switching the bi-directionality is not definite.
- The manual switching used to change the active path is sometimes unsuccessful.

The lockout configuration is recommended to control the switching operation from one path to another on all the 4 PSMs of the protection scheme. The lockout configuration must be applied on both local and corresponding remote PSM to ensure the bi-directionality.

# PSM Revertive Switch

When an LOS (Loss of Signal – Payload) alarm occurs on the primary path due to fiber cut, traffic moves from primary to secondary path. PSM revertive switch features allows the traffic to move to the primary path from secondary path when the fiber cut is resolved and the LOS alarm is cleared on the primary path. The traffic switch to the primary path is not immediate and depends on the following parameters.

## Parameters of PSM Revertive Switch

- WTR (Wait To Restore Time): WTR is the time delay (in seconds) introduced after LOS alarm on the primary path is cleared. When WTR timer elapses, traffic moves to the primary path.
- Threshold hysteresis: Threshold hysteresis parameter is required to avoid transient or flipping power readings in the region near the threshold which is monitoring the primary rx port.

Threshold hysteresis parameter, if set, works in combination with WTR timer. After the fiber cut is fixed and alarm is cleared, the system starts the WTR timer only when the power on primary rx port becomes higher than the sum of rx-low-threshold and threshold hysteresis (rx-low-threshold-delta) values. When WTR timer elapses, traffic moves to the primary path.




---

**Note** The suggested values for WTR and threshold hysteresis parameters are 120 seconds and 1.0 dBm respectively. Both the parameter values must be properly chosen based on different conditions such as power received, type of PSM protection scheme, manual threshold values provisioned on PSM or auto-threshold enabled, and so on.

---

## Limitations

- PSM revertive switch feature is supported only on section protection or path protection schemes.
- PSM revertive switch feature is not supported on PSM 3-way protection scheme.
- PSM revertive switch feature is not supported on section protection or path protection schemes involving one or more ILA nodes.
- PSM revertive switch feature works only in case of switch from primary to secondary path due to fiber cut and not in case of switch from primary to secondary path due to user commands such as manual-to or lock-out-from.

# Configure PSM Revertive Switch

**configure**

**hw-module location 0/RP0/CPU0 slot *slot-number* psm**

**revertive wtr *wtr-value***

**primary-path *path***

**commit**

**end**

*wtr-value* must be an integer. The primary path is set to WORKING by default. The user can change this path from WORKING to PROTECTED but cannot delete it.

### Example

The following is a sample of configuring the WTR parameter of PSM revertive switch in which the PSM module is inserted in slot 2 and primary path is set to working.

```
configure
hw-module location 0/RP0/CPU0 slot 2 psm
revertive wtr 120
primary-path WORKING
commit
end
```

The following is a sample of configuring the threshold hysteresis parameter of PSM revertive switch.

```
configure terminal
controller 0/2/0/1 rx-low-threshold-delta 10
commit
end
```

*rx-low-threshold-delta* is the threshold hysteresis. The value 10 is expressed in units of 0.1 dBm. In the above example, the value of threshold hysteresis is set as 1.0 dBm.

### Example of show controller

```
RP/0/RP0/CPU0:ios# show controllers ots 0/2/0/1
```

```
Controller State: Up

Transport Admin State: In Service

Port Type: Working

Port Status: Standby

Laser State: Unknown

Optics Status::

    Alarm Status:
    -----
    Detected Alarms:

    Alarm Statistics:
    -----
    LOW-RX-PWR = 0
    LOW-TX-PWR = 0
    RX-LOS-P = 735
    RX-LOC = 0
    AMPLI-GAIN-DEG-LOW = 0
    AMPLI-GAIN-DEG-HIGH = 0
    AUTO-LASER-SHUT = 0
    AUTO-POW-RED = 0
    AUTO-AMPLI-CTRL-DISABLED = 0
    AUTO-AMPLI-CFG-MISMATCH = 0
```



```
SWITCH-TO-PROTECT = 4
AUTO-AMPLI-CTRL-RUNNING = 0

Parameter Statistics:
-----
TX Power = -16.70 dBm
RX Power = -21.00 dBm
RX Voa Attenuation = 0.00 dB
TX Voa Attenuation = 0.00 dB
TX Enable = Enabled
RX Enable = Enabled
Rx Low Threshold Current = -38.0 dBm
Wait Time to Restore = 120 secs

Configured Parameters:
-----
Rx Low Threshold = -38.0 dBm
RX Voa Attenuation = 0.0 dB
TX Voa Attenuation = 0.0 dB
TX Enable = Enabled
RX Enable = Enabled
Rx Low Threshold Delta = 1.0 dBm
```

## OSC

OSC (Optical Service Channel) is an out-band channel added and dropped into the optical amplifier module. The wavelengths supported by OSC are 1510 nm and 1610 nm.

OSC provides a communication channel for the following types of traffic.

- Traffic coming from a UDC port
- Traffic for remote management of NCS 1001

## Remote Management

Remote Management feature, introduced in R6.3.1, allows to configure the IP addresses of the local and remote nodes, to remotely manage NCS 1001.

Three OSC interfaces are configured to support remote management. The OSC interfaces are configured to provide static routes to remote nodes. Each OSC interface is statically associated with a slot (OSC1 to slot 1, OSC2 to slot 2, and OSC3 to slot3).

### Configuration Steps

1. [Configure Management and OSC Interfaces](#)
2. [Configure Static Routes](#)

# Network Topology Discovery

Network topology discovery feature based on OSPF protocol, introduced in R6.3.2, allows to discover NCS 1001 nodes connected to each other through OSC links without configuring the static routes. This feature checks for compatibility only between NCS 1001 nodes.

OSPF must be properly configured on the NCS 1001 nodes by defining the name, router ID, interfaces in the Area 0 section, and optionally, configuring the interfaces as passive. OSPF and OSPFv3 protocols are supported.

The following network topologies are supported.

- Point to Point
- Point to Point with ILA nodes (up to three ILA nodes)

## Configuration Steps

1. [Configure Management and OSC Interfaces](#)
2. [Configure OSPF Routes](#)

# Configure Management and OSC Interfaces

**configure**

**interface mgmtEth** *rack/slot/instance/port*

**ipv4 address** *ipv4-address subnet-mask*

**shutdown**

**exit**

## Example

The following are samples of configuring the management and OSC interfaces.

```
configure
interface MgmtEth 0/RP0/CPU0/0
ipv4 address 10.58.227.198 255.255.255.0
shutdown
exit
```

```
configure
interface MgmtEth 0/RP0/OSC1/0
ipv4 address 10.1.1.1 255.255.255.0
shutdown
exit
```

```
configure
interface MgmtEth 0/RP0/OSC2/0
ipv4 address 10.1.2.1 255.255.255.0
shutdown
exit
```

```
configure
interface MgmtEth 0/RP0/OSC3/0
ipv4 address 10.1.3.1 255.255.255.0
shutdown
exit
```

## Configure Static Routes

This procedure configures all the static routes into the NCS 1001 node.

**configure**

**router static address-family ipv4 unicast 0.0.0.0/0 default-gateway**

**exit**

### Example

The following sample shows the NCS 1001 node connected to three different nodes using static routes.

```
configure
router static address-family ipv4 unicast
0.0.0.0/0 MgmtEth 0/RP0/CPU0/0 10.58.227.1
10.1.1.0/24 MgmtEth 0/RP0/OSC1/0 10.1.1.2
10.1.2.0/24 MgmtEth 0/RP0/OSC2/0 10.1.2.2
10.1.3.0/24 MgmtEth 0/RP0/OSC3/0 10.1.3.2
exit
```

## Configure OSPF Routes

**configure**

**router ospf process-id**

**router-id ip-address**

**area area-id**

**exit**

### Example

The following is a sample of configuring OSPF routes.

```
configure
interface MgmtEth0/RP0/CPU0/0
  ipv4 address 10.1.1.2 255.255.255.0
  !
interface MgmtEth0/RP0/OSC1/0
  shutdown
  !
interface MgmtEth0/RP0/OSC2/0
  ipv4 address 10.1.3.2 255.255.255.0
  !
interface MgmtEth0/RP0/OSC3/0
  ipv4 address 10.1.4.2 255.255.255.0
```

```

!
router ospf remote
router-id 10.1.1.2
area 0
 interface MgmtEth0/RP0/CPU0/0
   passive enable
 !
 interface MgmtEth0/RP0/OSC2/0
 !
 interface MgmtEth0/RP0/OSC3/0
 !
 !
 !
end

```

## Verify OSPF Routing Table

RP/0/RP0/CPU0:ios# **show ospf routes**

Sat Jul 29 09:54:25.937 UTC

Topology Table for ospf local with ID 10.1.4.1

Codes: O - Intra area, O IA - Inter area  
 O E1 - External type 1, O E2 - External type 2  
 O N1 - NSSA external type 1, O N2 - NSSA external type 2

```

O   10.1.1.0/24, metric 1
     10.1.1.2, directly connected, via MgmtEth0/RP0/CPU0/0
O   10.1.3.0/24, metric 1
     10.1.3.2, directly connected, via MgmtEth0/RP0/OSC2/0
O   10.1.7.0/24, metric 2
     10.1.3.1, from 10.58.227.198, via MgmtEth0/RP0/OSC2/0
O   10.58.227.0/24, metric 1
     10.1.3.1, from 10.58.227.198, via MgmtEth0/RP0/OSC2/0

```

## Troubleshooting Network Issues

Troubleshooting must be performed by checking the status of the interfaces, subnets, static routing, and OSPF sections.

Problem	Command
Interfaces are in down state	<b>show interfaces MgmtEth</b> <i>rack/slot/instance/port</i>
Route to default gateway is not defined	<b>show running-config</b>
Wrong IP addresses or subnet are planned in design phase	<b>show running-config</b>
Wrong static routes are defined that overwrite OSPF routes	Compare the output of <b>show ip route</b> command with <b>show ospf routes</b> command
Interfaces are not added in the OSPF section configured	<b>show running-config</b>

Problem	Command
Interfaces are in passive mode in the OSPF section configured	<b>show running-config</b>

## Troubleshooting UDC Port Configurations

*Table 10: Feature History*

Feature Name	Release	Description
Troubleshooting User Data Channel (UDC) Port Configurations	Cisco IOS XR Release 7.8.1	The <b>hw-module</b> and <b>show hw-module</b> commands have been enhanced with additional keywords to improve the troubleshooting of issues on UDC ports. Apart from viewing the UDC port state, VLAN list, and port statistics, you can clear UDC port configurations and enable or disable configurations on each UDC port.

From Release 7.8.1, the following commands are introduced to troubleshoot the UDC ports and view the configurations:

- `hw-module eth-switch`
- `show hw-module eth-switch`

Use the `hw-module eth-switch` command to enable, disable, or clear the UDC port configurations in the configuration mode.

To clear the configured statistics of UDC port 1, use the following commands:

```
RP/0/RP0/CPU0:ios#configure
RP/0/RP0/CPU0:ios(config)#hw-module eth-switch clear-stats port Rj45Udc1
RP/0/RP0/CPU0:ios(config)#commit
```

To clear the configured statistics of **all** ports, use the following commands:

```
RP/0/RP0/CPU0:ios#configure
RP/0/RP0/CPU0:ios(config)#hw-module eth-switch clear-stats all
RP/0/RP0/CPU0:ios(config)#commit
```



**Note** The `hw-module eth-switch clear-stats...` command not only clears all the counters on the selected port but also turns off the `Clear-On-Read` attribute that clears the port statistics when reading the statistics information. You can re-enable `Clear-On-Read` with the `enable-clear-on-read` attribute.

Use the `show hw-module eth-switch` command to display information that is related to the port state, VLAN lists, and port statistics.

To view the configured attributes of the UDC ports, use the following command:

```
RP/0/RP0/CPU0:ios#show hw-module eth-switch ports-attrs
```

The following output shows the attributes of all the configured ports.

```
Thu Nov 10 13:24:16.932 CET
Ports Attributes:
```

```

Port SfpUdc3 # 0 (enable)      Link UP          Full-Duplex    9604 [1 Gbps]  6 (1000BASE_X)
Clear-On-Read
Port SfpUdc2 # 4 (enable)      Link UP          Full-Duplex    9604 [1 Gbps]  6 (1000BASE_X)
Clear-On-Read
Port SfpUdc1 # 8 (enable)      Link UP          Full-Duplex    9604 [1 Gbps]  6 (1000BASE_X)
Clear-On-Read
Port Rj45Udc1 # 12 (enable)     Link DOWN       Half-Duplex    9600 [1 Gbps]  3 (SGMII)
Clear-On-Read
Port Rj45Udc2 # 16 (enable)     Link DOWN       Half-Duplex    9600 [1 Gbps]  3 (SGMII)
Clear-On-Read
Port Rj45Udc3 # 20 (enable)     Link DOWN       Half-Duplex    9600 [1 Gbps]  3 (SGMII)
Clear-On-Read
Port CpuMgmt # 24 (enable)      Link UP          Full-Duplex    1522 [1 Gbps]  6 (1000BASE_X)

Port # 25 (enable)             Link UP          Full-Duplex    1522 [1 Gbps]  6 (1000BASE_X)

Port Rj45Mgmt # 26 (enable)     Link UP          Full-Duplex    1522 [1 Gbps]  3 (SGMII)
Port SfpMgmt # 27 (enable)     Link DOWN       Half-Duplex    1522 [1 Gbps]  3 (SGMII)

```

To view the counters that are related to the `CpuMgmt` port, use the following command:

```
RP/0/RP0/CPU0:ios#show hw-module eth-switch stats port CpuMgmt
```

The following output displays the counter values for the `CpuMgmt` port.

```

Mon May 16 09:10:24.491 UTC

***** START *****
PORT MAC COUNTERS - Test cmd [1] [Port:0x18]
goodPktsSent          0
goodPktsRcv           0
ucPktsSent            17
ucPktsRcv             2
mcPktsSent            1489
mcPktsRcv             0
brdcPktsSent         349
brdcPktsRcv          1
goodOctetsSent        200863
goodOctetsRcv         474
pkts64Octets          614
pkts65to127Octets    872
pkts128to255Octets   86
pkts256to511Octets   286
pkts512to1023Octets  0
pkts1024tomaxOctets  0
pkts1024to1518Octets 0

```

Utilizing the `hw-module eth-switch port <port_name> enable-clear-on-read` command to enable or disable MAC Counters Clear on read, impacts the corresponding port pairs listed below:

- [SfpUdc3 #0, SfpUdc2 #4]
- [Rj45Udc1 #12, Rj45Udc2 #16]

Configuring MAC counters Clear on read for port `Rj45Udc1#12` also has an impact on port `Rj45Udc2#16`, and the opposite way. This behavior is applicable to both ports `Rj45Udc1 #12` and `Rj45Udc2 #16`.

The following configuration example of MAC counters Clear on read on the port `Rj45Udc1` shows that the configuration also affects the port `Rj45Udc2`:

```

RP/0/RP0/CPU0:ios#configure
RP/0/RP0/CPU0:ios(config)#hw-module eth-switch port Rj45Udc1 enable-clear-on-read
RP/0/RP0/CPU0:ios(config)#commit

```

Use the following command to view the hardware module eth-switch port attributes:

```
#show hw-module eth-switch ports-attrs
Ports Attributes:
Port SfpUdc3 # 0 (enable)      Link UP          Full-Duplex  9604 [1 Gbps] 6(1000BASE_X)

Port SfpUdc2 # 4 (enable)      Link UP          Full-Duplex  9604 [1 Gbps] 6(1000BASE_X)

Port SfpUdc1 # 8 (enable)      Link UP          Full-Duplex  9604 [1 Gbps] 6(1000BASE_X)

Port Rj45Udc1 # 12 (enable)    Link UP          Half-Duplex  9600 [1 Gbps] 3(SGMII)
Clear-On-Read
Port Rj45Udc2 # 16 (enable)    Link UP          Half-Duplex  9600 [1 Gbps] 3(SGMII)
Clear-On-Read
Port Rj45Udc3 # 20 (enable)    Link UP          Full-Duplex  9600 [1 Gbps] 3(SGMII)
Port CpuMgmt # 24 (enable)     Link UP          Full-Duplex  1522 [1 Gbps] 6(1000BASE_X)

Port # 25 (enable)            Link UP          Full-Duplex  1522 [1 Gbps] 6(1000BASE_X)

Port Rj45Mgmt # 26 (enable)    Link UP          Full-Duplex  1522 [100 Mbps] 3(SGMII)

Port SfpMgmt # 27 (enable)     Link DOWN        Half-Duplex  1522 [1 Gbps] 3(SGMII)
```







## CHAPTER 4

# Configure OTDR Module

This chapter describes how to configure the Optical Time Domain Reflectometer (OTDR) module.



**Note** When you plan to replace a configured optical module with a different type of optical module, you must clear the configurations of the old module before you install the new module. For example, when replacing a configured EDFA module with an OTDR in the same slot, clear the EDFA configurations.

In general, configurations in a card equipped in an NCS 1001 slot include:

- Card configuration—hw-module parameters configuration related to the slot *S* where the card is equipped
- OTS controller configurations
- Optics controller configurations—only for EDFA cards

The following commands clear the configurations in the previous card.

1. `no hw-module location 0/RP0/CPU0 slot <S>`

Clear the card parameters configuration.

2. `no controller ots Rack/Slot/Instance/Port`

Clear each OTS controller configuration.

3. `no controller optics Rack/Slot/Instance/Port`

(Optional) Clear the controller optics configurations. This must be done only if the card previously equipped in slot *S* was an EDFA.

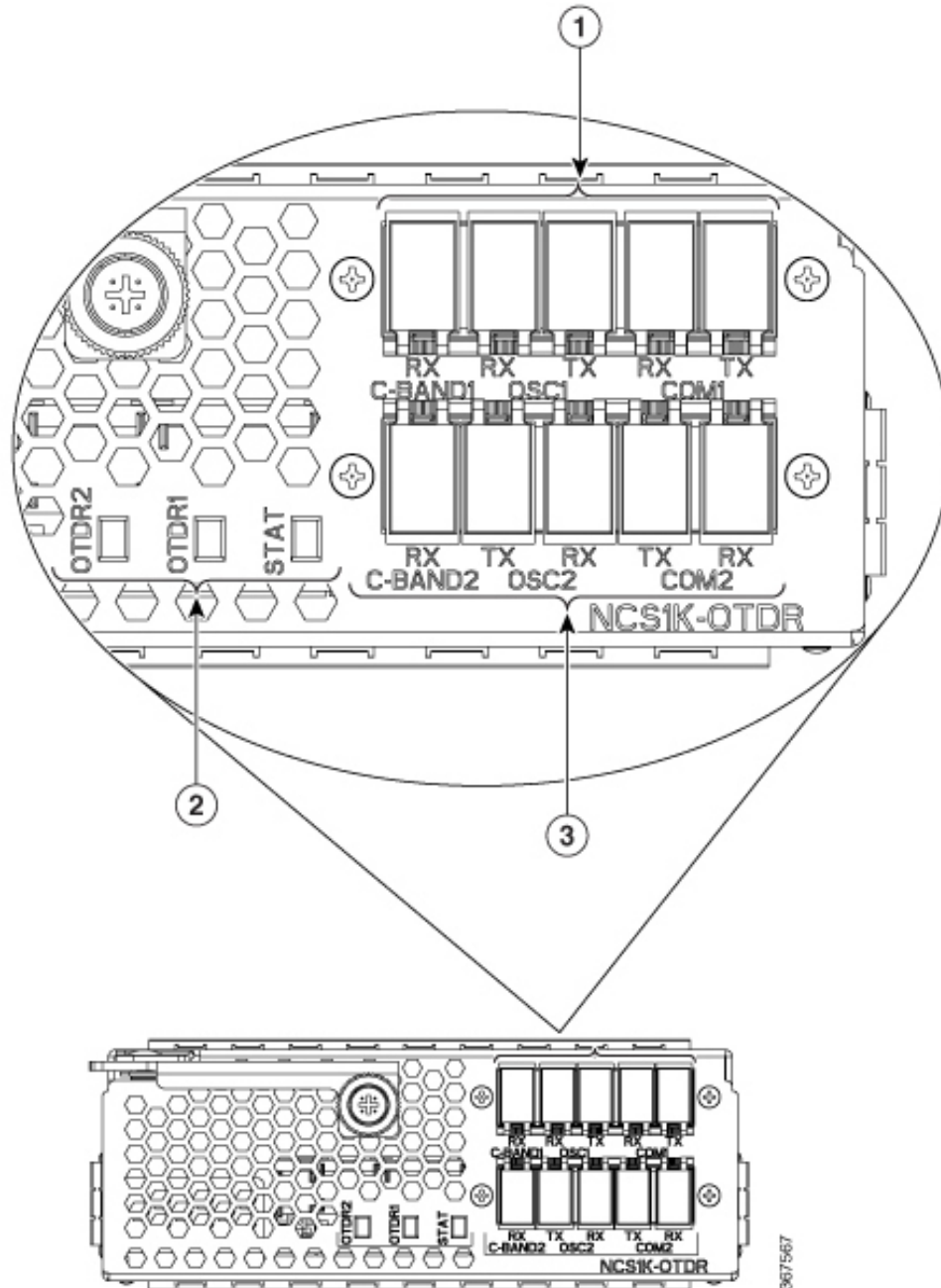
- [OTDR, on page 60](#)
- [Cabling Considerations for Terminal Node, on page 63](#)
- [Cabling Considerations for ILA Node, on page 64](#)
- [Configure OTDR, on page 66](#)
- [Display Status of OTDR Measurement, on page 70](#)
- [Configure OTDR in Automatic Mode, on page 70](#)
- [Start OTDR Measurement in Automatic Mode, on page 72](#)
- [OTDR Measurement in Automatic Mode Based on Events, on page 72](#)
- [Configure OTDR in Expert Mode, on page 80](#)

- [Start OTDR Measurement in Expert Mode, on page 83](#)
- [Display List of OTDR Measurements, on page 83](#)
- [Stop OTDR Measurement, on page 85](#)
- [View the Logical Ports and the Photodiode Power Levels, on page 86](#)
- [OTDR ML Events, on page 86](#)
- [Enable ML on the OTDR Card, on page 87](#)
- [View Scan Output with ML Enabled, on page 87](#)

## OTDR

The optical Time Domain Reflectometer (OTDR) is a line card supported in NCS 1001. The line card contains 2x bidirectional OTDRs and 2x filter that combines C-band, OSC, and OTDR filters and splits OSC and OTDR. Each internal OTDR can perform measurements on both TX and RX fibers by using an internal optical switch. The OTDR line card is connected to the OSC port on the optical amplifier. The OTDR measurement is available in a .SOR file and it can be exported from NCS 1001 using SCP, TFTP, and SFTP. The OTDR line card can be inserted in any slot of NCS 1001.

Figure 10: Front View of OTDR Card



1	OTDR1 interface
2	LED status
3	OTDR2 interface

The following table lists the logical ports (OTS controller ports) that are associated with the physical ports in the OTDR card.

**Table 11: OTDR Physical Ports and the Associated Logical Ports**

OTDR Ports	Logical Ports Corresponding to the Ports
C-Band-1 RX	controller OTS 0/slot/0/0
COM1 (RX, TX)	controller OTS 0/slot/0/1
OSC1 (RX, TX)	controller OTS 0/slot/0/2
C-Band-2 RX	controller OTS 0/slot/0/3
COM2 (RX, TX)	controller OTS 0/slot/0/4
OSC2 (RX, TX)	controller OTS 0/slot/0/5

You can also view the logical ports details available in the table [Table 11: OTDR Physical Ports and the Associated Logical Ports, on page 62](#) using the CLI command. See [View the Logical Ports and the Photodiode Power Levels, on page 86](#).

The OTDR line card allows the user to perform the following:

- Provides information about basic characteristics of the optical fiber among optical nodes, such as Insertion Loss and concentrate point of reflection.
- Inspects the transmission fiber.
- Identifies discontinuities or defects on the fiber.
- Measures the distance and magnitude of defects like insertion loss, reflection loss, and so on.
- Improves scan performance using specific scan parameters targeted on the characteristics of the fiber plant such as span length, reflection contributions, and major events.



**Note** When an EDFA module is connected to the OTDR module without an OSC channel between them, an LOS-P alarm is raised on the OTS 0/x/0/2 port of the EDFA module. To suppress this alarm and resume normal OTDR operation, we recommend you perform one of the following configurations on the port 0/x/0/2 of the EDFA module:

- Configure the OTS controller to be under maintenance.

Example:

```
RP/0/RP0/CPU0:ios#configure
RP/0/RP0/CPU0:ios(config)#controller ots 0/3/0/2
RP/0/RP0/CPU0:ios(config-ots)#sec-admin-state maintenance
RP/0/RP0/CPU0:ios(config-ots)#commit
```

- Shut down the EDFA port in receive direction.

Example:

```
RP/0/RP0/CPU0:ios#configure
RP/0/RP0/CPU0:ios(config)#controller ots 0/3/0/2
RP/0/RP0/CPU0:ios(config-ots)#rx-enable 0
RP/0/RP0/CPU0:ios(config-ots)#commit
```

### OTDR Modes

OTDR can be configured in two modes.

- Auto-This mode has two internal phases: Training and Measurement. These two phases are fully automated and proceed in sequence. The training phase has two internal steps. The first step measures the Optical Return Loss (ORL) and the second step prepares internal parameters for OTDR measurement. The actual OTDR measurement starts after the training phase.
- Expert-In this mode, the user must configure all the OTDR scan parameters with the proper values required by OTDR measurement. Automatic adjustments are not performed in expert mode configuration. There is no training phase in this mode. There is no prerequisite to run OTDR scan in expert mode apart from proper configuration.

### Limitations of OTDR

- When NCS 1001 uses the OTDR line card, the OSC channel is on 1610 nm, and OTDR is on 1518 nm.
- OTDR supports up to 20 dB span loss or 100 km length of fiber.
- It is not recommended to start OTDR measurement simultaneously from two different nodes; the results and graph will not be valid.
- OTDR measurement performed in the presence of the OTDR-HIGH-REFLECTION alarm (reflections roughly greater than -25dB) may provide a low event accuracy.
- OTDR graph may be truncated if the measurements are performed on a fiber spool with the following length.
  - 1.00km to 1.05km
  - 25.0km to 25.6km
  - 80.0km to 83.9km
- OTDR can support up to -14 dB of reflection. OTDR-HIGH-REFLECTION alarm is raised when  $R(\text{dB}) - 2 * NL(\text{dB}) > -20 \text{ dB}$  where  $R$  is the reflectivity and  $NL$  is the loss.
- 

## Cabling Considerations for Terminal Node

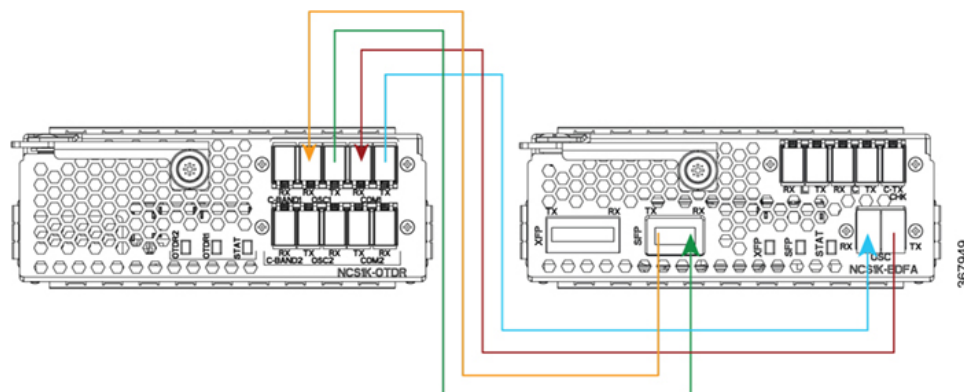
In the terminal node configuration, EDFA and OTDR line cards are plugged into the same NCS 1001 system. The filter on OTDR card will combine OSC SFP signal from EDFA port with OTDR and feed into OSC input of EDFA card.

The sequence of fiber connection for port 1 is the following:

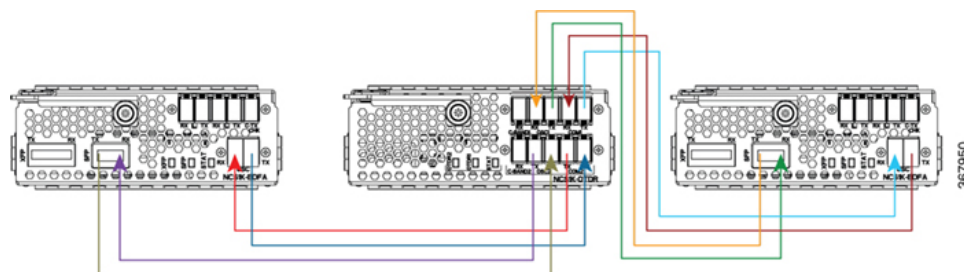
1. Connect a LC/LC fiber from OTDR COM TX port to EDFA OSC RX port
2. Connect a LC/LC fiber from EDFA OSC TX port to OTDR COM RX port
3. Connect a LC/LC fiber from OTDR OSC TX port to pluggable RX port inserted into EDFA
4. Connect a LC/LC fiber from pluggable TX port inserted into EDFA to OTDR OSC RX port

Repeat the same sequence to connect the second OTDR port if required.

**Figure 11: Cabling for Terminal Configuration with One EDFA Module**



**Figure 12: Cabling for Terminal Configuration with Two EDFA Modules**



## Cabling Considerations for ILA Node

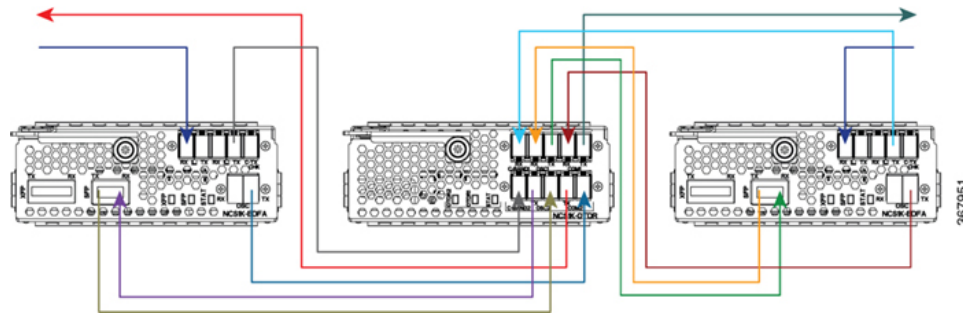
In the ILA node configuration, only one OTDR card is required to support both the directions of ILA node. Two EDFA cards and a single OTDR line card are plugged into the same NCS 1001 system. It is recommended to connect the OTDR port 1 to EDFA in slot 1 and the OTDR port 2 to EDFA in slot 3.

The sequence of fiber connection is the following:

1. Connect a LC/LC fiber from OTDR port 1 COM TX port to fiber span Line TX that is facing EDFA slot 1.
2. Connect a LC/LC fiber from EDFA slot 1 port COM TX to C-band 1 RX port.
3. Connect a LC/LC fiber from OTDR OSC TX port 1 to pluggable RX port inserted into EDFA slot 1.
4. Connect a LC/LC fiber from OSC pluggable TX port inserted into EDFA slot 1 to OTDR OSC RX port 1.
5. Connect a LC/LC fiber from EDFA slot 1 port OSC TX to OTDR COM RX port 1.
6. Connect a LC/LC fiber from OTDR port 2 COM TX port to fiber span Line TX that is facing EDFA slot 3.
7. Connect a LC/LC fiber from EDFA slot 3 port COM TX to C-band 2 RX port.

8. Connect a LC/LC fiber from OTDR OSC TX port 2 to OSC pluggable RX port inserted into EDFA slot 3.
9. Connect a LC/LC fiber from OSC pluggable TX port inserted into EDFA slot 3 to OTDR OSC RX port 2.
10. Connect a LC/LC fiber from from EDFA slot 3 port OSC TX to OTDR COM RX port 2.

**Figure 13: Cabling for ILA Configuration**

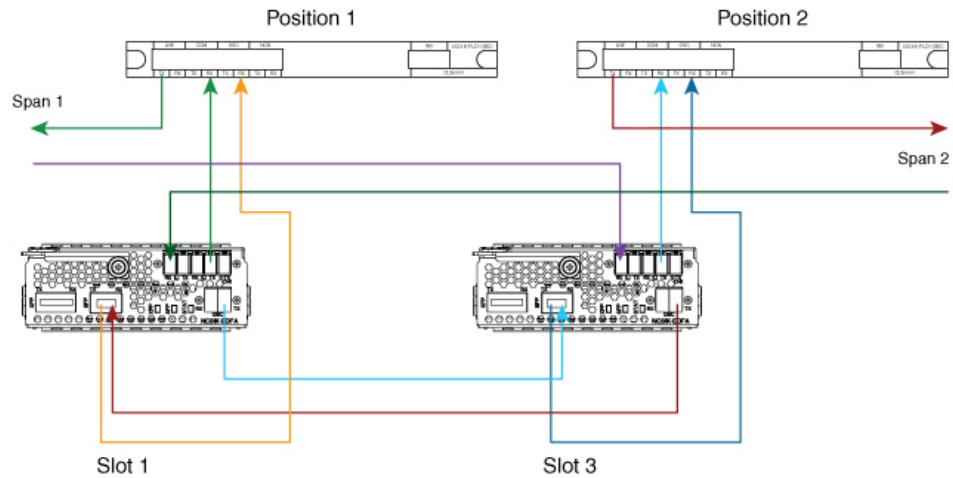


#### **Cabling for ILA Configuration with 15216-FLD-OSC**

The sequence of fiber connection is the following:

1. Connect a LC/LC fiber from RX-span 2 to LINE RX port of EDFA slot 1.
2. Connect a LC/LC fiber from COM TX port of EDFA slot 1 to COM RX port of 15216-FLD-OSC position 1.
3. Connect a LC/LC fiber from TX-span 1 to LINE TX port of 15216-FLD-OSC position 1.
4. Connect a LC/LC fiber from OSC pluggable TX port inserted into EDFA slot 1 to OSC RX port of 15216-FLD-OSC position 1.
5. Connect a LC/LC fiber from OSC TX port of EDFA slot 1 to OSC pluggable RX port inserted into EDFA slot 3.
6. Connect a LC/LC fiber from OSC TX port of EDFA slot 3 to OSC pluggable RX port inserted into EDFA slot 1.
7. Connect a LC/LC fiber from RX-span 1 to LINE RX port of EDFA slot 3.
8. Connect a LC/LC fiber from COM TX port of EDFA slot 3 to COM RX port of 15216-FLD-OSC position 2.
9. Connect a LC/LC fiber from TX-span 2 to LINE TX port of 15216-FLD-OSC position 2.
10. Connect a LC/LC fiber from OSC pluggable TX port inserted into EDFA slot 3 to OSC RX port of 15216-FLD-OSC position 2.

Figure 14: Cabling for ILA Configuration with 15216-FLD-OSC



The usage of NCS1K-OTDR module replaces the need of 15216-FLD-OSC module as recommended in the ILA configuration.

## Configure OTDR

When the OTDR card is inserted, it has a set of default optical parameters for both ports and both directions. The default parameters are the same for both ports in TX and RX directions.

### configure

**hw-module location** 0/RP0/CPU0 slot *slot-number*

**otdr port** *port-number* **direction tx total-loss** *value*

**otdr port** *port-number* **direction tx back-scattering** *value*

**otdr port** *port-number* **direction tx refractive-index** *value*

**otdr port** *port-number* **direction tx mode-expert pulse-width** *value*

**otdr port** *port-number* **direction tx mode-expert measure-time** *value*

**otdr port** *port-number* **direction tx mode-expert capture-length** *value*

**otdr port** *port-number* **direction tx mode-expert capture-offset** *value*

**otdr port** *port-number* **direction tx mode-expert fiber-resolution** *value*

**otdr port** *port-number* **direction tx loss-relative-threshold** *value*

**otdr port** *port-number* **direction tx reflection-relative-threshold** *value*

**otdr port** *port-number* **direction rx total-loss** *value*

**otdr port** *port-number* **direction rx mode-expert pulse-width** *value*

**otdr port** *port-number* **direction rx mode-expert measure-time** *value*

**otdr port** *port-number* **direction rx mode-expert capture-length** *value*

**otdr port** *port-number* **direction rx mode-expert capture-offset** *value*



```

otdr port port-number direction rx mode-expert fiber-resolution value
otdr port port-number direction rx loss-relative-threshold value
otdr port port-number direction rx reflection-relative-threshold value
otdr port port-number orl-abs-threshold value
otdr port port-number loss-abs-threshold value
otdr port port-number reflection-abs-threshold value
commit
end

```

### Example

```

configure
hw-module location 0/RP0/CPU0 slot 2
otdr port 1 direction tx total-loss 200
otdr port 1 direction tx back-scattering -820
otdr port 1 direction tx refractive-index 1498962
otdr port 1 direction tx mode-expert pulse-width 1000
otdr port 1 direction tx mode-expert measure-time 180
otdr port 1 direction tx mode-expert capture-length 80
otdr port 1 direction tx mode-expert capture-offset 0
otdr port 1 direction tx mode-expert fiber-resolution 25
otdr port 1 direction tx mode-expert loss-relative-threshold 20
otdr port 1 direction tx mode-expert reflection-relative-threshold 20
otdr port 1 direction rx total-loss 200
otdr port 1 direction rx mode-expert pulse-width 1000
otdr port 1 direction rx mode-expert measure-time 180
otdr port 1 direction rx mode-expert capture-length 80
otdr port 1 direction rx mode-expert capture-offset 0
otdr port 1 direction rx mode-expert fiber-resolution 25
otdr port 1 direction rx mode-expert loss-relative-threshold 20
otdr port 1 direction rx mode-expert reflection-relative-threshold 20
otdr port 1 orl-abs-threshold 280
otdr port 1 loss-abs-threshold 15
otdr port 1 reflection-abs-threshold -300
commit
end

```

### OTDR Configuration Parameters

**Table 12: OTDR Configuration Parameters**

Parameter	Description	Range	Default
total-loss (in 0.1dB)	Loss from the near end OTDR port to far end OTDR port including span loss and additional EDFA filter loss.	0 to 500	200

Parameter	Description	Range	Default
back-scattering	The back scattering value in TX direction.	–100.0 to 0.0 <b>Note</b> NCS 1001 SW accepts any value within the defined range. You shall set actual back scattering value depending on the fiber characteristics.	–82.0 <b>Note</b> Default value fits most fiber types. You may adjust the value based on the optimal values for the specific fiber type in your network.
refractive-index	The refractive index value in TX direction.	1.000000 to 2.000000 <b>Note</b> NCS 1001 SW accepts any value within the defined range. You shall set actual refractive index value depending on the fiber characteristics.	1.498962 <b>Note</b> Default value fits most fiber types. You may adjust the value based on the optimal values for the specific fiber type in your network.
mode-expert pulse-width (in ns)	Pulse duration during the measurement.	8 to 100000	1000
mode-expert measure-time (in sec)	Time required to perform a complete optical scan.	0 to 360	180
mode-expert capture-length (in km)	Distance of end point of the measure.	0 to 150	80
mode-expert capture-offset (in km)	Start point.	0 to 150	0
mode-expert fiber-resolution (in m)	Distance from measurement steps.	0 to 100	25

Parameter	Description	Range	Default
orl-abs-threshold (in 0.1dB)	Threshold to compare with the ORL measurement returned by OTDR run.	140 to 400 <sup>1</sup>	280
loss-abs-threshold (in 0.1dB)	Threshold to compare with the loss events returned by OTDR run.	1 to 300 <sup>1</sup>	15
reflection-abs-threshold (in 0.1dB)	Threshold to compare with the reflection events returned by OTDR run.	-500 to 0	-300
loss-sensitivity (in 0.1dB)	Limit under which the loss is not considered as a real loss.	4 to 50 <sup>1</sup>	6
reflection-sensitivity (in 0.1dB)	Limit under which the reflection is not considered as a real reflection.	-400 to -140	-300
loss-relative-threshold (in 0.1dB)	Threshold to compare the loss value read from the OTDR module plus the relative loss threshold with the baseline value.	1 to 300 <sup>1</sup>	2
reflection-relative-threshold (in 0.1dB)	Threshold to compare the reflection value read from the OTDR module plus the relative reflection threshold with the baseline value.	1 to 300 <sup>1</sup>	2

<sup>1</sup> From Release 7.5.1, the + labels in the positive range values are removed in the NCS1001 CLI help description.

## Display Status of OTDR Measurement

The following command displays a table with the status for all the OTDR ports and directions.

**show hw-module slot *slot-number* otdr status**

### Example

**show hw-module slot 2 otdr status**

#### Automatic Mode

```
Wed Oct 16 09:06:46.148 CEST
  Port | Rx/Tx | Date/Time | Training | OTDR Measurement | Next scan (min)
-----+-----+-----+-----+-----+-----+-----+
    1 | Tx   |           | UNKNOWN | UNKNOWN           | 0
    1 | Rx   |           | UNKNOWN | UNKNOWN           | 0
    2 | Tx   |           | UNKNOWN | UNKNOWN           | 0
    2 | Rx   |           | UNKNOWN | UNKNOWN           | 0
```

The next scan is related to the periodic scan. When the periodic scan is not set, the next scan value is 0.

#### Expert Mode

```
Port | Rx/Tx | Date/Time | Training | OTDR Measurement
-----+-----+-----+-----+-----+
    1 | Tx   | 20180503-181159 | UNKNOWN | PROGRESS 10%
    1 | Rx   |           | UNKNOWN | UNKNOWN
    2 | Tx   |           | UNKNOWN | UNKNOWN
    2 | Rx   |           | UNKNOWN | UNKNOWN
```

## Configure OTDR in Automatic Mode

The following parameters must be configured to have correct OTDR measurement in automatic mode. The default values for these parameters are provided by this configuration.

**configure**

**hw-module location 0/RP0/CPU0 slot *slot-number* otdr port *port-number* direction *direction* mode-auto**

**loss-sensitivity *value***

**loss-relative-threshold *value***

**reflection-sensitivity *value***

**reflection-relative-threshold *value***

**total-loss *value***

**periodic-scan minutes *value***

**commit**

end

### OTDR Configuration Parameters in Automatic Mode

*Table 13: OTDR Configuration Parameters in Automatic Mode*

Parameter	Description	Range	Default
loss-sensitivity (in 0.1dB)	Limit under which the loss is not considered as a real loss.	4 to 50 <sup>2</sup>	6
loss-relative-threshold (in 0.1dB)	Threshold to compare the loss value read from the OTDR module plus the relative loss threshold with the baseline value.	1 to 300 <sup>2</sup>	2
reflection-sensitivity (in 0.1dB)	Limit under which the reflection is not considered as a real reflection.	-400 to -140	-300
reflection-relative-threshold (in 0.1dB)	Threshold to compare the reflection value read from the OTDR module plus the relative reflection threshold with the baseline value.	1 to 300 <sup>2</sup>	2
total-loss (in 0.1dB)	Loss from the near end OTDR port to far end OTDR port including span loss and additional EDFA filter loss.	1 to 500 <sup>2</sup>	200
periodic scan (in minutes)	OTDR scan is automatically started. The scan is also performed each time after the elapse of the periodic scan time.	30 to 600000	30

<sup>2</sup> From Release 7.5.1, the + labels in the positive range values are removed in the NCS1001 CLI help description.

## Start OTDR Measurement in Automatic Mode

**hw-module slot** *slot-number* **otdr port** *port-number* **direction** *direction* **scan auto**

### Example

The following example starts the OTDR measurement in automatic mode in TX direction.

```
hw-module slot 3 otdr port 1 direction tx scan auto
```

The user receives a message as "Otdr action will continue in the background". To see the status of OTDR measurement, use the **show hw-module slot slot-number otdr status** command.

## OTDR Measurement in Automatic Mode Based on Events

The OTDR measurement in automatic mode is automatically started between two nodes on both the TX and RX directions under the following events:

- The automatic scan starts when a LOS alarm is raised or cleared on the line port of an EDFA (controller ots0/x/0/1)
  - If an automatic scan is still running, a subsequent LOS alarm state change will immediately abort the current scan and trigger a new scan.
- The automatic scan starts when the difference between the actual value of span loss and the previous sample of span loss exceeds the configurable span loss delta value given by the following configuration:
  - `hw-module location 0/RP0/CPU0 slot <n> ampli span-loss span-loss-delta 20`

### Configure OTDR Measurement in Automatic Mode with IPv6

*Table 14: Feature History*

Feature Name	Release Information	Description
IPv6 Support for OTDR Auto Scan	Cisco IOS XR Release 7.10.1	OTDR auto scan can now be enabled on NCS 1001 nodes configured with IPv6 addresses. This extends to OTDR auto scan functionality to work on both IPv4 and IPv6 nodes.

From Release 7.10.1, you can use IPv6 addresses to perform OTDR automatic scan between the NCS 1001 nodes that are enabled with IPv6 and have IPv6 addresses configured on their management interfaces.

To configure OTDR auto scan using IPv6 addresses for different scenarios, replace the keywords **local-ipv4** and **remote-ipv4** with **local-ipv6** and **remote-ipv6** respectively, and the corresponding IPv4 address variables to IPv6 address variables in the IPv4-based commands.



---

**Note** With the IPv6 support, the OTDR auto scan must be configured using either IPv4 or IPv6 address. Both these addresses should not be used at the same time in the configuration.

---

#### Limitation

OTDR measurement with IPv6 is not supported on the OSC management interfaces because, even with the OSPFv3 protocol, the discovery of the neighbor returns the IPv4 router ID instead of the IPv6 router ID. This makes it difficult to resolve the IPv6 addressing automatically.

#### OTDR Automatic Events System Setup

OTDR modules can be deployed in 4 different scenarios:

1. Scenario 1: Node A connected to Node B and each node has its own OTDR module
2. Scenario 2: Node A connected to Node B with single OTDR module in one of the two nodes (A or B)
3. Scenario 3: Node A connected to Node B with single OTDR module installed in a different Node C
4. Scenario 4: Node A connected to Node B with OTDR modules installed in different Nodes C and D



---

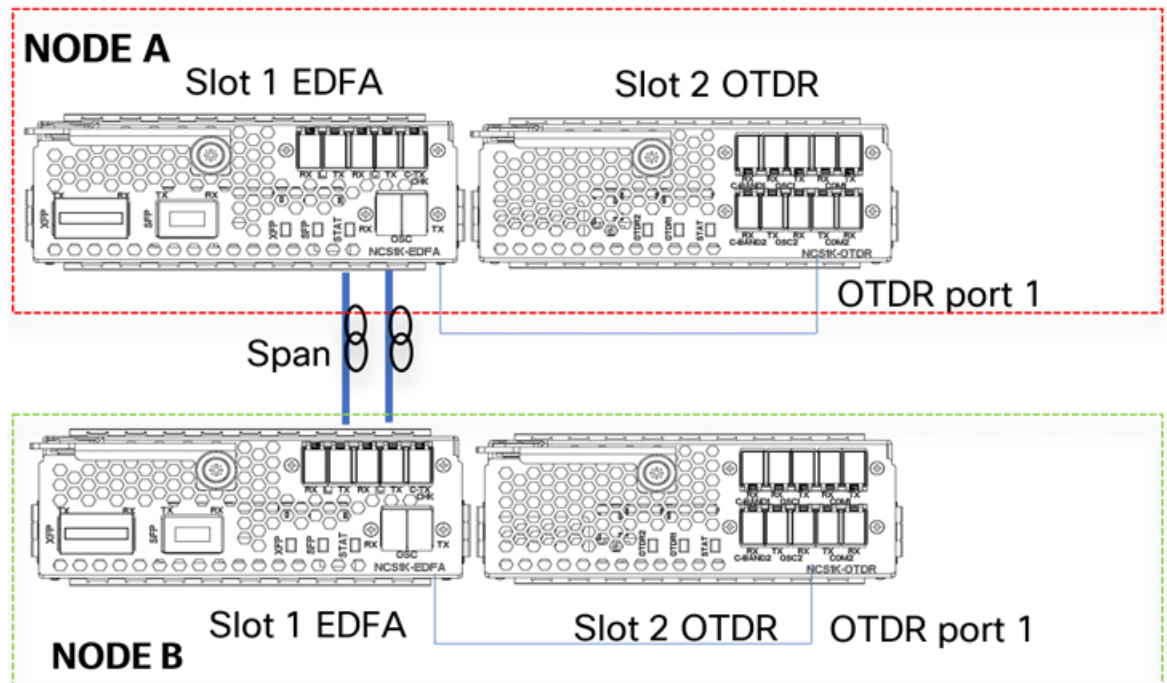
**Note** Nodes A and B can be of any type, terminal, or ILA.

---

#### Scenario 1

OTDR modules are installed in each of the two nodes, each OTDR is connected to its own local EDFA, EDFAs are facing the same fiber span (OTDR in node A and B)

Figure 15: EDFA hw-module remote\_node Configuration



523046

For each EDFA module it is necessary to configure remote node feature by using the following CLI commands:

**Node A:**

```
hw-module location 0/RP0/CPU0 slot 1 ampli remote-node local-ipv4 <IP Node A>aremove-ipv4 <IP Node B> remote-slot-id 1
```

**Node B:**

```
hw-module location 0/RP0/CPU0 slot 1 ampli remote-node local-ipv4 <IP Node B>a remove-ipv4 <IP Node A> remote-slot-id 1
```

**EDFA hw-module otdr\_autoscan configuration**

For each EDFA module it is necessary to configure OTDR autoscan feature using the following CLI commands:

**Node A:**

```
hw-module location 0/RP0/CPU0 slot 1 ampli otdr-autoscan otdr-module-ipv4-addr <IP Node A> otdr-slot-id 2 otdr-port-id 1 ampli-far-end-ipv4-addr <IP Node B> ampli-far-end-slot-id 1 scan-type AUTO
```

**Node B:**

```
hw-module location 0/RP0/CPU0 slot 1 ampli otdr-autoscan otdr-module-ipv4-addr <IP Node B> otdr-slot-id 2 otdr-port-id 1 ampli-far-end-ipv4-addr <IP Node A> ampli-far-end-slot-id 1 scan-type AUTO
```

**OTDR hw-module otdr\_autoscan Configuration**

For each OTDR module, it is necessary to configure remote node OTDR autoscan feature using the following CLI by commands:

**Node A:**



```
hw-module location 0/RP0/CPU0 slot 2 otdr port 1 otdr-autoscan otdr-module-ipv4-addr <IP Node A>
ampli-far-end-ipv4-addr <IP Node A> ampli-far-end-slot-id 1 scan-type AUTO
```

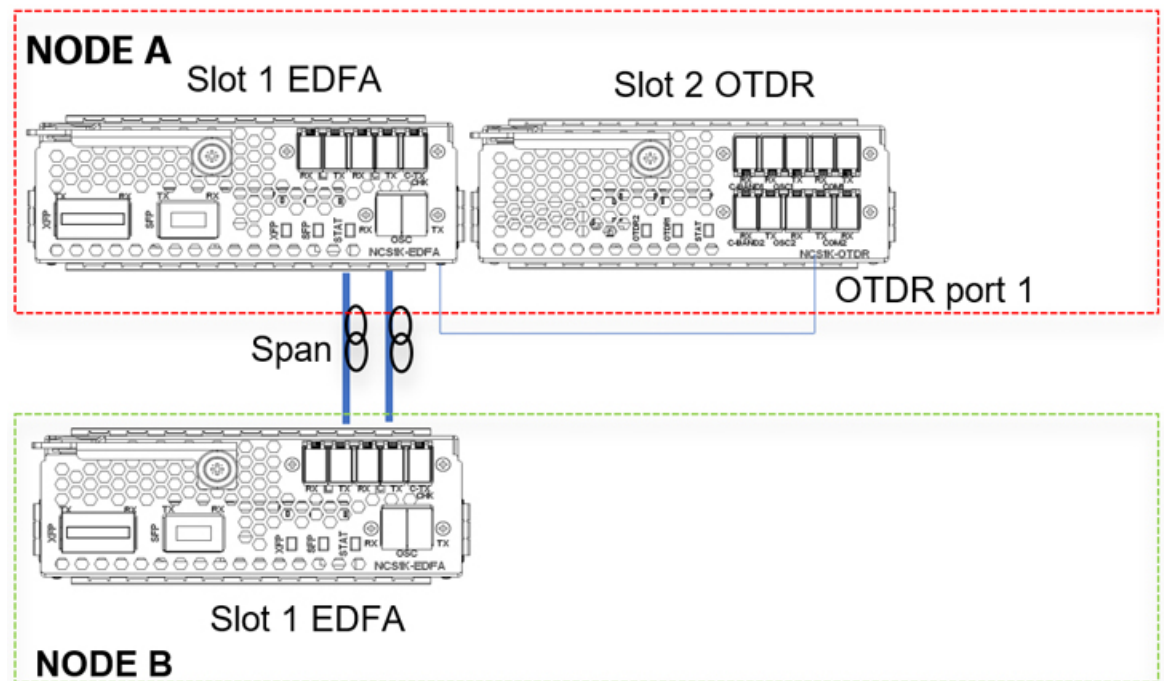
**Node B:**

```
hw-module location 0/RP0/CPU0 slot 2 otdr port 1 otdr-autoscan otdr-module-ipv4-addr <IP Node B>
ampli-far-end-ipv4-addr <IP Node B> ampli-far-end-slot-id 1 scan-type AUTO
```

**Scenario 2**

The Single OTDR module is installed only in one node, OTDR is connected to only one EDFA facing the fiber span (OTDR in node A)

**Figure 16: EDFA hw-module remote\_node Configuration**



For each EDFA module, it is necessary to configure remote node feature by using the following CLI commands:

**Node A:**

```
hw-module location 0/RP0/CPU0 slot 1 ampli remote-node local-ipv4 <IP Node A>a remote-ipv4 <IP Node B> remote-slot-id 1
```

**Node B:**

```
hw-module location 0/RP0/CPU0 slot 1 ampli remote-node local-ipv4 <IP Node B>a remote-ipv4 <IP Node A> remote-slot-id 1
```

**EDFA hw-module OTDR autoscan configuration**

For the EDFA connected to the single OTDR module in the same node, it is necessary to configure OTDR autoscan feature using the following CLI command:

**Node A:**

```
hw-module location 0/RP0/CPU0 slot 1 ampli otdr-autoscan otdr-module-ipv4-addr <IP Node A> otdr-slot-id 2 otdr-port-id 1 ampli-far-end-ipv4-addr <IP Node A> ampli-far-end-slot-id 1 scan-type AUTO
```

### OTDR hw-module otdr\_autoscan Configuration

For the single OTDR module, it is necessary to configure otdr autoscan feature using the following CLI command:

#### Node A:

```
hw-module location 0/RP0/CPU0 slot 2 otdr port 1 otdr-autoscan otdr-module-ipv4-addr <IP Node A> ampli-far-end-ipv4-addr <IP Node A> ampli-far-end-slot-id 1 scan-type AUTO
```

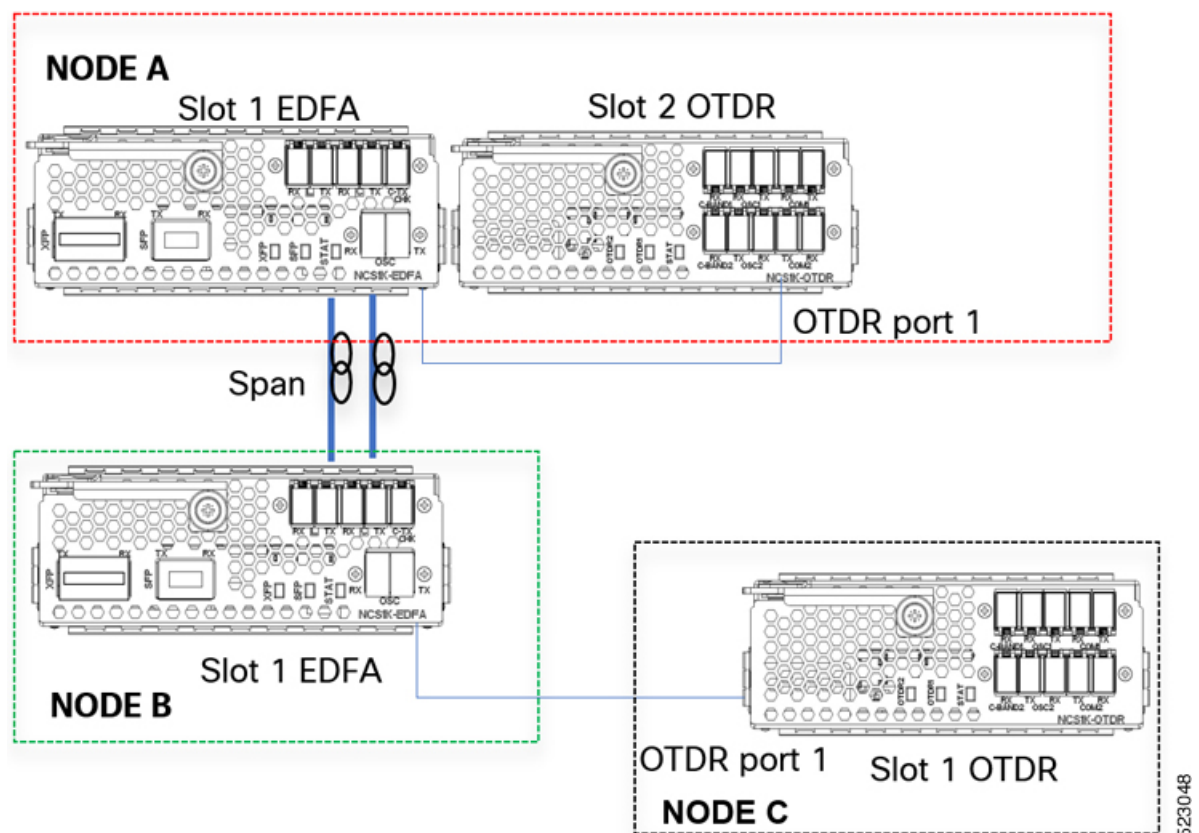


**Note** Both the EDFA and OTDR configurations share the same IP address as there is only one OTDR module connected to one single EDFA in the same node.

### Scenario 3

The Single OTDR module is installed in a third node, OTDR is connected to EDFA in different nodes(EDFA in node B, OTDR in node C)

**Figure 17: EDFA HW-module remote\_node Configuration**



For each EDFA module, it is necessary to configure remote node feature by using the following CLI commands:

#### Node A:

*hw-module location 0/RP0/CPU0 slot 1 ampli remote-node local-ipv4 <IP Node A>a remote-ipv4 <IP Node B> remote-slot-id 1*

**Node B:**

*hw-module location 0/RP0/CPU0 slot 1 ampli remote-node local-ipv4 <IP Node B>a remote-ipv4 <IP Node A> remote-slot-id 1*

**EDFA hw-module otdr\_autoscan Configuration**

**Node A:**

*hw-module location 0/RP0/CPU0 slot 1 ampli otdr-autoscan otdr-module-ipv4-addr <IP Node A> otdr-slot-id 2 otdr-port-id 12 ampli-far-end-ipv4-addr <IP Node B> ampli-far-end-slot-id 1 scan-type AUTO*

**Node B:**

*hw-module location 0/RP0/CPU0 slot 1 ampli otdr-autoscan otdr-module-ipv4-addr <IP Node C> otdr-slot-id 1 otdr-port-id 12 ampli-far-end-ipv4-addr <IP Node A> ampli-far-end-slot-id 1 scan-type AUTO*

**OTDR hw-module otdr\_autoscan Configuration**

**Node A:**

*hw-module location 0/RP0/CPU0 slot 2 otdr port 1 otdr-autoscan otdr-module-ipv4-addr <IP Node A> ampli-far-end-ipv4-addr <IP Node A> ampli-far-end-slot-id 1 scan-type AUTO*

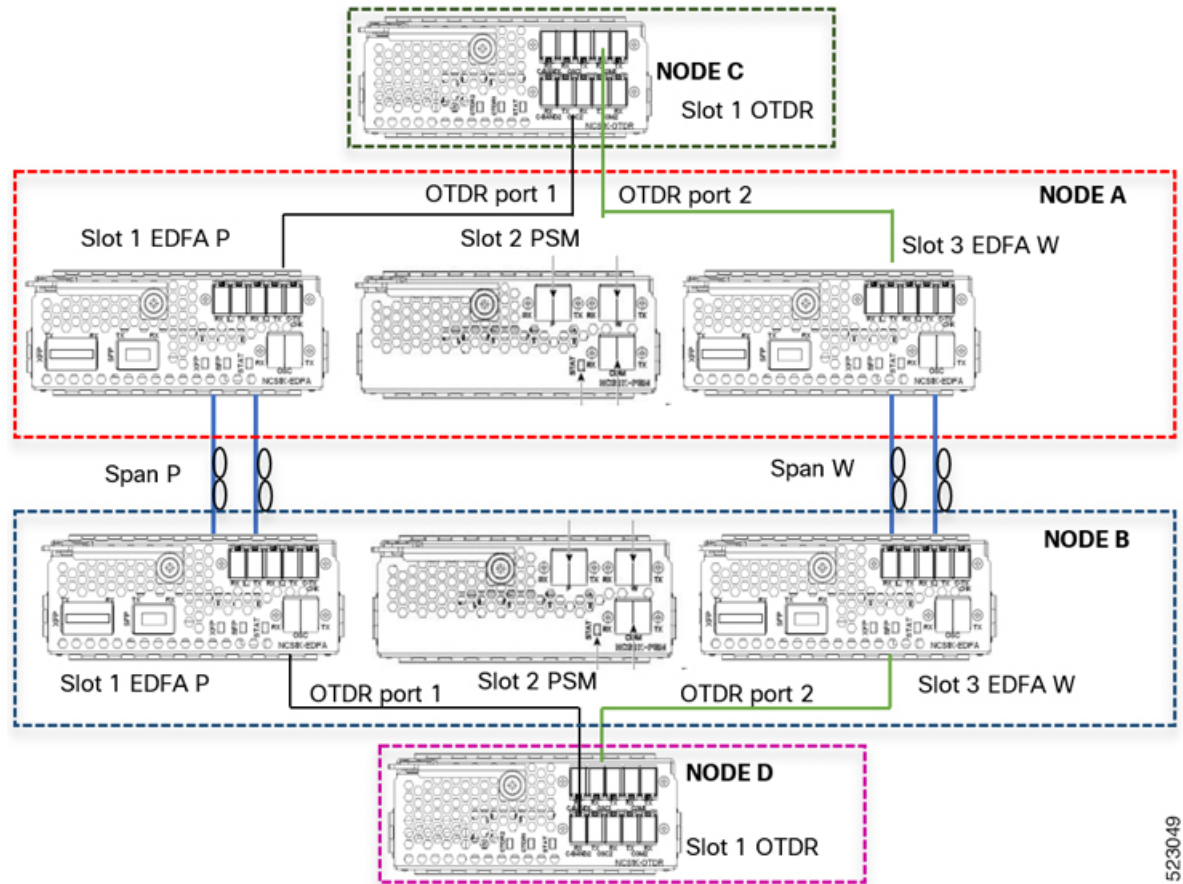
**Node C:**

*hw-module location 0/RP0/CPU0 slot 1 otdr port 1 otdr-autoscan otdr-module-ipv4-addr <IP Node C> ampli-far-end-ipv4-addr <IP Node B> ampli-far-end-slot-id 1 scan-type AUTO*

**Scenario 4**

Two OTDR modules are installed in dedicated nodes C and D. Each OTDR node is connected to its own Section Protection (EDFA node A <> OTDR node C, EDFA node B <> OTDR node D)

Figure 18: EDFA hw-module remote\_node Configuration



523049

For each EDFA module, it is necessary to configure remote node feature using the following CLI commands:

**Node A:**

```
hw-module location 0/RP0/CPU0 slot 1 ampli remote-node local-ipv4 <IP Node A> remote-ipv4 <IP Node B> remote-slot-id 1
```

```
hw-module location 0/RP0/CPU0 slot 3 ampli remote-node local-ipv4 <IP Node A> remote-ipv4 <IP Node B> remote-slot-id 3
```

**Node B:**

```
hw-module location 0/RP0/CPU0 slot 1 ampli remote-node local-ipv4 <IP Node B> remote-ipv4 <IP Node A> remote-slot-id 1
```

```
hw-module location 0/RP0/CPU0 slot 3 ampli remote-node local-ipv4 <IP Node B> remote-ipv4 <IP Node A> remote-slot-id 3
```

**EDFA hw-module otdr\_autoscan Configuration****Node A:**

```
hw-module location 0/RP0/CPU0 slot 1 ampli otdr-autoscan otdr-module-ipv4-addr <IP Node C> otdr-slot-id 1 otdr-port-id 1 ampli-far-end-ipv4-addr <IP Node B> ampli-far-end-slot-id 1 scan-type AUTO
```

*hw-module location 0/RP0/CPU0 slot 3 ampli otdr-autoscan otdr-module-ipv4-addr <IP Node C> otdr-slot-id 1 otdr-port-id 2 ampli-far-end-ipv4-addr <IP Node B> ampli-far-end-slot-id 3 scan-type AUTO*

**Node B:**

*hw-module location 0/RP0/CPU0 slot 1 ampli otdr-autoscan otdr-module-ipv4-addr <IP Node D> otdr-slot-id 1 otdr-port-id 1 ampli-far-end-ipv4-addr <IP Node A> ampli-far-end-slot-id 1 scan-type AUTO*

*hw-module location 0/RP0/CPU0 slot 3 ampli otdr-autoscan otdr-module-ipv4-addr <IP Node D> otdr-slot-id 1 otdr-port-id 2 ampli-far-end-ipv4-addr <IP Node A> ampli-far-end-slot-id 3 scan-type AUTO*

**OTDR hw-module otdr\_autoscan Configuration**

**Node C:**

*hw-module location 0/RP0/CPU0 slot 1 otdr port 1 otdr-autoscan otdr-module-ipv4-addr <IP Node C> ampli-far-end-ipv4-addr <IP Node A> ampli-far-end-slot-id 1 scan-type AUTO*

*hw-module location 0/RP0/CPU0 slot 1 otdr port 2 otdr-autoscan otdr-module-ipv4-addr <IP Node C> ampli-far-end-ipv4-addr <IP Node A> ampli-far-end-slot-id 3 scan-type AUTO*

**Node D:**

*hw-module location 0/RP0/CPU0 slot 1 otdr port 1 otdr-autoscan otdr-module-ipv4-addr <IP Node D> ampli-far-end-ipv4-addr <IP Node B> ampli-far-end-slot-id 1 scan-type AUTO*

*hw-module location 0/RP0/CPU0 slot 1 otdr port 2 otdr-autoscan otdr-module-ipv4-addr <IP Node D> ampli-far-end-ipv4-addr <IP Node B> ampli-far-end-slot-id 3 scan-type AUTO*

**Sample CLI Configuration for Typical OTDR in Automatic Mode Based on Events**

The following configurations must be performed on both the near end and far end nodes. The following configurations assume that both the EDFA and the OTDR modules are present on the same node.

The following parameters must be configured on the EDFA module to start an OTDR measurement in automatic mode.

**hw-module location 0/RP0/CPU0 slot** *slot-number* **ampli**

**otdr-autoscan**

**otdr-module-ipv4-addr** *otdr-ip-address*

**otdr-slot-id** *otdr-slot-number*

**otdr-port-id** *otdr-port-number*

**ampli-far-end-ipv4-addr** *far-end-edfa-ip-address*

**ampli-far-end-slot-id** *far-end-edfa-slot-number*

**scan-type** *auto*

The following parameters must be configured on the OTDR module to start an OTDR measurement in automatic mode.

**hw-module location 0/RP0/CPU0 slot** *slot-number* **otdr port** *otdr-port-number*

**otdr-autoscan**

**otdr-module-ipv4-addr** *otdr-ip-address*

**ampli-far-end-ipv4-addr** *far-end-edfa-ip-address*

**ampli-far-end-slot-id** *far-end-edfa-slot-number*

**scan-type** auto

### Example

The following is a sample of EDFA module configuration to start an OTDR measurement in automatic mode.

```
configure
hw-module location 0/RP0/CPU0 slot 3 ampli
otdr-autoscan
otdr-module-ipv4-addr 192.0.2.1
otdr-slot-id 2
otdr-port-id 1
ampli-far-end-ipv4-addr 198.51.100.10
ampli-far-end-slot-id 3
scan-type auto
commit
end
```

```
configure
hw-module location 0/RP0/CPU0 slot 3 ampli
otdr-autoscan
otdr-module-ipv6-addr 2001:DB8:4491:2000::229:144
otdr-slot-id 2
otdr-port-id 1
ampli-far-end-ipv6-addr 2001:DB8:4491:2000::228:145
ampli-far-end-slot-id 3
scan-type auto
commit
end
```

The following is a sample of OTDR module configuration to start an OTDR measurement in automatic mode.

```
configure
hw-module location 0/RP0/CPU0 slot 2 otdr port 1
otdr-autoscan
otdr-module-ipv4-addr 192.0.2.1
ampli-far-end-ipv4-addr 198.51.100.10
ampli-far-end-slot-id 3
scan-type auto
commit
end
```

```
configure
hw-module location 0/RP0/CPU0 slot 2 otdr port 1
otdr-autoscan
otdr-module-ipv6-addr 2001:DB8:4491:2000::229:144
ampli-far-end-ipv6-addr 2001:DB8:4491:2000::228:145
ampli-far-end-slot-id 3
scan-type auto
commit
end
```

## Configure OTDR in Expert Mode

**configure**

```

hw-module location 0/RP0/CPU0 slot slot-number otdr port port-number direction direction mode-expert
capture-length value
capture-offset value
fiber-resolution value
loss-sensitivity value
measure-time value
pulse-width value
reflection-sensitivity value
span-length value
loss-relative-threshold value
reflection-relative-threshold value
commit
end

```

### Examples

The following samples provide a guideline to configure OTDR in expert mode in certain typical cases with a varying span-length parameter. The configuration might need to be modified depending on the fiber status in the field.

Sample configuration for fiber span 1 km:

```

configure
hw-module location 0/RP0/CPU0 slot 2
otdr port 1 direction tx mode-expert pulse-width 10
otdr port 1 direction tx mode-expert span-length 1
otdr port 1 direction tx mode-expert measure-time 180
otdr port 1 direction tx mode-expert capture-length 1
otdr port 1 direction tx mode-expert capture-offset 0
otdr port 1 direction tx mode-expert fiber-resolution 4
otdr port 1 direction tx mode-expert loss-sensitivity 4
otdr port 1 direction tx mode-expert reflection-sensitivity -300

otdr port 1 direction tx mode-expert loss-relative-threshold 20
otdr port 1 direction tx mode-expert reflection-relative-threshold 20

```

Sample configuration for fiber span 25 km:

```

configure
hw-module location 0/RP0/CPU0 slot 2
otdr port 1 direction tx mode-expert pulse-width 100
otdr port 1 direction tx mode-expert span-length 25
otdr port 1 direction tx mode-expert measure-time 180
otdr port 1 direction tx mode-expert capture-length 25
otdr port 1 direction tx mode-expert capture-offset 0
otdr port 1 direction tx mode-expert fiber-resolution 5
otdr port 1 direction tx mode-expert loss-sensitivity 6
otdr port 1 direction tx mode-expert reflection-sensitivity -300
otdr port 1 direction tx mode-expert loss-relative-threshold 20
otdr port 1 direction tx mode-expert reflection-relative-threshold 20

```

Sample configuration for fiber span 80 km:

```
configure
hw-module location 0/RP0/CPU0 slot 2
otdr port 1 direction tx mode-expert pulse-width 1000
otdr port 1 direction tx mode-expert span-length 80
otdr port 1 direction tx mode-expert measure-time 180
otdr port 1 direction tx mode-expert capture-length 80
otdr port 1 direction tx mode-expert capture-offset 0
otdr port 1 direction tx mode-expert fiber-resolution 250
otdr port 1 direction tx mode-expert loss-sensitivity 15
otdr port 1 direction tx mode-expert reflection-sensitivity -300
otdr port 1 direction tx mode-expert loss-relative-threshold 20
otdr port 1 direction tx mode-expert reflection-relative-threshold 20
```

Sample configuration for fiber span 100 km:

```
configure
hw-module location 0/RP0/CPU0 slot 2
otdr port 1 direction tx mode-expert pulse-width 7000
otdr port 1 direction tx mode-expert span-length 100
otdr port 1 direction tx mode-expert measure-time 180
otdr port 1 direction tx mode-expert capture-length 100
otdr port 1 direction tx mode-expert capture-offset 0
otdr port 1 direction tx mode-expert fiber-resolution 50
otdr port 1 direction tx mode-expert loss-sensitivity 15
otdr port 1 direction tx mode-expert reflection-sensitivity -300
otdr port 1 direction tx mode-expert loss-relative-threshold 20
otdr port 1 direction tx mode-expert reflection-relative-threshold 20
```

## OTDR Configuration Parameters in Expert Mode

**Table 15: OTDR Configuration Parameters in Expert Mode**

Parameter	Description	Range	Default
capture-length (in km)	Distance of end point of the measure.	0 to 150	100
capture-offset (in km)	Start point.	0 to 150	0
fiber-resolution (in m)	Distance from measurement steps.	0 to 100	25
loss-sensitivity (in 0.1dB)	Limit under which the loss is not considered as a real loss.	4 to 50 <sup>5</sup>	6
measure-time (in sec)	Time required to perform the complete optical scan.	0 to 360	180



Parameter	Description	Range	Default
pulse-width (in ns)	Pulse duration during the measurement.	8 to 100000	1000
reflection-sensitivity (in 0.1dB)	Limit under which the reflection is not considered as a real reflection.	-400 to -140	-300
span-length (in km)	Length of span.	0 to 150	100
loss-relative-threshold (in 0.1dB)	Threshold to compare the loss value read from the OTDR module plus the relative loss threshold with the baseline value.	1 to 300 <sup>3</sup>	2
reflection-relative-threshold (in 0.1dB)	Threshold to compare the reflection value read from the OTDR module plus the relative reflection threshold with the baseline value.	1 to 300 <sup>3</sup>	2

<sup>3</sup> From Release 7.5.1, the + labels in the positive range values are removed in the NCS1001 CLI help description.

## Start OTDR Measurement in Expert Mode

**hw-module slot *slot-number* otdr port *port-number* direction *direction* scan expert**

### Example

The following example starts the OTDR measurement in expert mode in TX direction.

```
hw-module slot 3 otdr port 1 direction tx scan expert
```

The user receives a message as "Otdr action will continue in the background". To see the status of OTDR measurement, use the **show hw-module slot *slot-number* otdr status** command.

## Display List of OTDR Measurements

**show hw-module slot *slot-number* otdr scan**

**Example**

The following example shows the list of OTDR measurements.

```
show hw-module slot 3 otdr scan
```

```

#| otdr#| Rx/Tx|Mode| Date/Time      | SOR filename
-----+-----+-----+-----+-----+-----
0|  1  | Tx  |AUTO|20180504-092810|ncs1001_slot3_otdr1_TX.20180504-092810.sor
1|  1  | Tx  |AUTO|20180504-114239|ncs1001_slot3_otdr1_TX.20180504-114239.sor

```

The following table describes the significant fields shown in the above example.

Field	Description
#	Number of OTDR measurements.
otdr#	Port where OTDR measurement is done.
Rx/Tx	Direction of OTDR measurement.
Mode	Type of scan (auto or expert).
Date/Time	Date and time of OTDR measurement.
SOR filename	Number of files with measurement data.

The following example shows data for OTDR measurement stored in position number 0.

```
show hw-module slot 3 otdr scan 0
```

```
Measurement on: 20180504-151351
```

```

OTDR device number: 1
Scan direction: Tx
Scan mode: Auto
Directory location: /harddisk:/otdr
File name: ncs1001_slot3_otdr1_TX.20180504-151351.sor

```

```

Total ORL: 29.86 dB
Distance (estimate): 38.996 km

```

```
Total number of event detected: 3
```

```

Event# | TYPE           | LOCATION (km) | ACCURACY (m) | MAGNITUDE (dB) | TH-CROSSING
-----+-----+-----+-----+-----+-----
0  | LOSS          | 0.000        | 5.62         | -1.09          | NO
1  | LOSS          | 23.840       | 114.06       | -0.44          | NO
2  | END OF FIBER | 38.996       | 249.00       |                | NO

```

The following table describes the significant fields shown in the above example.

Field	Description
OTDR device number	Port number.
Scan direction	Direction of scan.
Scan mode	Mode of scan (auto or expert).

Field	Description
Directory location	Location where the SOR file is stored.
File name	Name of SOR file.
Total ORL	Optical return loss in dB.
Distance (estimate)	Distance in km.
Total number of event detected	Event detected during OTDR measurement.
Event#	Number of events.
TYPE	Type of event if the event is a LOSS or END of Fiber.
LOCATION(km)	Location where the event is into the span.
ACCURACY(m)	Accuracy where the event is into the span.
MAGNITUDE(dB)	Magnitude LOSS of event.
TH-CROSSING	loss-abs-threshold value.

## Stop OTDR Measurement

Use this command to stop the OTDR measurement in automatic and expert modes.

**hw-module slot *slot-number* otdr port *port-number* scan abort**

### Example

The following command displays the status of OTDR measurement in automatic mode after the cancel operation.

**show hw-module slot 3 otdr status**

```
Port | Rx/Tx | Date/Time | Training | OTDR Measurement | Next scan (min)
-----+-----+-----+-----+-----+-----
  1 | Tx | 20190927-102727 | ABORTED | UNKNOWN | 0
```

The following command displays the status of OTDR measurement in expert mode after the cancel operation.

**show hw-module slot 3 otdr status**

```
Port | Rx/Tx | Date/Time | Training | OTDR Measurement
-----+-----+-----+-----+-----
  1 | Tx | 20180503-181159 | UNKNOWN | ABORTED
```

## View the Logical Ports and the Photodiode Power Levels

Use the command **show controllers otsummary** to display the power values of the photodiodes and the logical ports associated with the physical ports of the OTDR module.

### Example:

```
RP/0/RP0/CPU0:IOS#show controllers ots 0/2/0/* summary
Tue Jan 23 13:49:41.604 CET
```

Port	Type	Status	TX Power	TX Total Power	RX Power	RX Total Power	RX Voa
Attenuation	TX Voa	Attenuation	Ampli Gain	Ampli Tilt			
(dBm)		(dBm)	(dBm)	(dBm)	(dBm)	(dBm)	(dBm)
Ots0_2_0_0	Com	N/A	-40.00	Unavailable	-40.00	Unavailable	
Unavailable		Unavailable		Unavailable	Unavailable		
Ots0_2_0_1	Com	N/A	0.60	Unavailable	-16.60	Unavailable	
Unavailable		Unavailable		Unavailable	Unavailable		
Ots0_2_0_2	Osc	N/A	-17.60	Unavailable	1.30	Unavailable	
Unavailable		Unavailable		Unavailable	Unavailable		
Ots0_2_0_3	Com	N/A	-40.00	Unavailable	-40.00	Unavailable	
Unavailable		Unavailable		Unavailable	Unavailable		
Ots0_2_0_4	Com	N/A	0.20	Unavailable	-22.20	Unavailable	
Unavailable		Unavailable		Unavailable	Unavailable		
Ots0_2_0_5	Osc	N/A	-23.60	Unavailable	1.30	Unavailable	
Unavailable		Unavailable		Unavailable	Unavailable		



**Note** The parameters such as Status, RX Total power, TX Total power, RX Attenuation, TX Attenuation, Amplifier Gain, and Amplifier Tilt on each of the corresponding OTS controller are not available for the OTDR card.

## OTDR ML Events

Table 16: Feature History

Feature Name	Release Information	Feature Description
OTDR ML (Machine Learning) Model	Cisco IOS XR Release 7.3.2	The OTDR ML (Machine Learning) model is updated for this release to Version 4. This new model improves performance on events recognition.

Table 17: Feature History

Feature Name	Release	Description
OTDR ML (Machine Learning)	Cisco IOS XR Release 7.3.1	OTDR ML (Machine Learning) can be enabled on the OTDR card. When ML is enabled, the OTDR measurement shows more information about the events present on the fiber.

You can enable Machine Learning (ML) parameter on the OTDR card for displaying additional events present on the fiber.

The four new event types that are displayed in the scan output, when ML parameter is set to 1 (enable) are:

Event	Description
FIBER TERMINATED	The fiber is correctly plugged in to the far-end node.
OPEN CONNECTOR	The fiber is not correctly plugged in to the far-end node.
FACE PLATE	This is the beginning of the fiber.
PASS THROUGH	This is the connection between two fibers.

## Enable ML on the OTDR Card

You can enable ML on the OTDR card by executing the following command in the configuration mode:

```
hw-module location location slot slot number otdr port port number direction direction ml-enabled 1
```

### Example

The following example shows how to enable ML on the OTDR card on slot 1, port 1, and direction tx:

```
RP/0/RP0/CPU0 (config) #hw-module location 0/RP0/CPU0 slot 1 otdr port 1 direction tx ml-enabled
1
RP/0/RP0/CPU0 (config) #commit
```

## View Scan Output with ML Enabled

Use the following command to view the output of a scan file in position 0 after enabling ML on the OTDR card:

```
RP/0/RP0/CPU0:156-ML#show hw-module slot 1 otdr scan 0
Tue Oct 6 11:26:53.514 CEST
Measurement on: 20200916-171424
OTDR device number: 1
Scan direction: Tx
Scan mode: Auto
Directory location: /harddisk:otdr
File name: 156-ML_ncs1001_slot1_otdr1_TX.20200916-171424.sor
```

```
Total ORL: 31.37 dB
Distance (estimate): 61.275 km

High Reflection Location: 0.00 km

Total number of event detected: 2
```

Event#	TYPE	LOCATION(km)	ACCURACY(m)	MAGNITUDE(dB)	ABS TH-CROSSING	REL TH-CROSSING
0	REFLECTION	61.275	50.00	-16.32	YES	
	NO					
1	END OF FIBER	61.275	50.00		NO	
	NO					

ML graph analysis:

Total number of event detected: 3

Event#	TYPE	LOCATION(km)
A	FACE PLATE	0.001
B	PASS THROUGH	11.876
C	OPEN CONNECTOR	61.285

The **OPEN CONNECTOR** event type in the above scan output shows that the fiber span is not connected to a far end node.

Use the following command to view the output of a scan file in position 6 after enabling ML on the OTDR card:

```
RP/0/RP0/CPU0:156-ML#show hw-module slot 1 otdr scan 6
Tue Oct 6 11:27:12.476 CEST
Measurement on: 20200917-140822
OTDR device number: 1
Scan direction: Tx
Scan mode: Auto
Directory location: /harddisk:/otdr
File name: 156-ML_ncs1001_slot1_otdr1_TX.20200917-140822.sor
```

```
Total ORL: 31.29 dB
Distance (estimate): 61.279 km

High Reflection Location: 0.00 km

Total number of event detected: 1
```

Event#	TYPE	LOCATION(km)	ACCURACY(m)	MAGNITUDE(dB)	ABS TH-CROSSING	REL TH-CROSSING
0	END OF FIBER	61.279	50.00		NO	
	NO					

ML graph analysis:

Total number of event detected: 3

Event#	TYPE	LOCATION(km)
A	FACE PLATE	0.001

```
B | PASS THROUGH | 11.876  
C | FIBER TERMINATED | 61.622
```

The **FIBER TERMINATED** event type in the above scan output shows that the fiber span is properly connected to a far end node.







## CHAPTER 5

# Configure Performance Monitoring

Performance monitoring (PM) parameters are used by service providers to gather, store, set thresholds for, and report performance data for early detection of problems. The user can retrieve both the current and historical PM counters for the various controllers in several intervals.

PM for optical parameters include laser bias current, transmit and receive optical power, mean polarization mode dispersion, accumulated chromatic dispersion, and received optical signal-to-noise ratio (OSNR). These parameters simplify troubleshooting operations and enhance data that can be collected directly from the equipment.

- [Configure PM Parameters, on page 91](#)
- [View PM Parameters, on page 92](#)

## Configure PM Parameters

You can configure the performance monitoring parameters for the OTS controllers. To configure PM parameters, use the following commands.

### configure

```
controller controllertype R/S/I/P { pm { 15-min | 24-hour | 30-sec } ots { report | threshold } { opr | opt }value }
```

### commit

### Examples

The following is a sample in which the performance monitoring parameters of OTS controller is configured in 24 hour intervals.

```
configure
controller ots 0/1/0/0 pm 24-hour ots report opr max-tca enable
commit
```

The above command enables the maximum TCA (Threshold Crossing Alert) for opr (optical power received) of ots 0/1/0/0 controller in 24 hour intervals.

```
configure
controller ots 0/1/0/0 pm 24-hour ots threshold opr max 4000
commit
```

The above command sets the maximum TCA for opr of ots 0/1/0/0 controller in 24 hour intervals.

The PM collector starts and collects controller data at the following intervals.

- 30 seconds interval - 30 samples jitter provision of 6 seconds
- 15 minutes interval - 32 samples jitter provision of 45 seconds
- 24 hours interval - 1 sample jitter provision of 45 seconds

The jitter provides for any computation delay for data collected at the data provider PM engine.

## View PM Parameters

*Table 18: Feature History*

Feature Name	Release Information	Feature Description
10sec PM buckets	Cisco IOS XR Release 7.3.1	Performance monitoring parameters for the OTS and OTS OCH controllers in 10 second intervals are available. This new bucket for performance monitoring allows you to gather, store, and report performance data with higher granularity.  Commands modified: <ul style="list-style-type: none"> <li>• controller ots</li> <li>• show controllers</li> </ul>

Use this procedure to view the performance monitoring parameters for OTS controllers.

### Procedure

```
show controllers controllertype R/S/I/P { pm { current | history } { 15-min | 24-hour | 30-sec | flex-bin } { optics lane-number } { bucket bucket-number }
```

**flex-bin** corresponds to a bucket of 10 seconds.

The **bucket** parameter must be specified for **pm history**.

#### Example:

```
RP/0/RP0/CPU0:ios# show controllers ots 0/1/0/0 pm current 15-min optics 1
```

Displays the current performance monitoring parameters of the Optics controller in 15 minute intervals.

```
Thu Mar 16 15:07:21.093 CET
```

```
Optics in the current interval [15:00:00 - 15:07:21 Thu Mar 16 2017]
```

```

Optics current bucket type : Valid
MIN AVG MAX Threshold TCA Threshold TCA
(min) (enable) (max) (enable)
LBC[% ] : 0.2 4.5 18.6 0.0 NO 0.0 NO
OPT[dBm] : -40.00 -0.40 8.00 -50.00 NO 10.00 NO
OPR[dBm] : -17.52 -17.01 -16.90 -50.00 NO 10.00 NO

```

Last clearing of "show controllers OPTICS" counters never

The **show controllers** command occasionally returns the wrong bucket. For example, the following command query at "Mon May 29 15:02:05.697 CEST" must have returned the bucket for the interval [15:01:30 - 15:02:00 Mon May 29 2017] while it returned the previous bucket [15:01:00 - 15:01:30 Mon May 29 2017].

```
RP/0/RP0/CPU0:ios# show controllers optics 0/1/0/4 pm history 30-sec optics 1 bucket 5
```

Displays the current performance monitoring parameters of the Optics controller in 15 minute intervals related to bucket 5.

```
Mon May 29 15:02:05.697 CEST
```

```
Optics in interval 1 [15:01:00 - 15:01:30 Mon May 29 2017]
```

```

Optics history bucket type : Valid
      MIN      AVG      MAX
LBC[% ] : 335.3   341.3   352.3
OPT[dBm] : 1.90   2.01   2.10
OPR[dBm] : -12.20 -12.16 -12.10

```

Last clearing of "show controllers OPTICS" counters never

The following table describes the bucket values for each time interval.

PM Time Interval	Bucket Value
15 minutes	[1,32]
24 hours	No value
30 seconds	[1,30]
flex-bin (10 seconds)	1





## CHAPTER 6

# USB Automount

---

This chapter describes USB Automount configuration on NCS 1000.

- [USB Automount, on page 95](#)
- [Mount USB Device, on page 95](#)
- [Unmount USB Device, on page 96](#)

## USB Automount

The USB automount feature allows the user to read from or write files and folders onto the USB device without explicitly mounting it. The mounted USB device can be accessed as disk2: file system.

When a USB device is inserted in NCS 1002, it is automatically mounted in sysadmin-vm with Read and Write permissions and unmounted in XR by default. The USB device is automatically mounted in sysadmin-vm only when the file system of the USB device is FAT or FAT32.

In NCS 1001, the USB device is automatically mounted in both sysadmin-vm and XR.

The user must unmount the USB device from sysadmin-vm or XR before it is removed from NCS 1000. If the USB device must be mounted again after the device is unmounted but before removing the device, it can be done using the **mount** command.

The user can simultaneously mount the USB device in XR-vm and sysadmin-vm. The user must unmount the USB device from both sysadmin-vm and XR-vm before it is removed from NCS 1000.

## Mount USB Device

**Mount USB Device in sysadmin-vm**

**usb device operation mount**

**Mount USB Device in XR**

**unmount disk2: undo**

### Example

The following is an example of USB mount in sysadmin-vm.

```
sysadmin-vm:0_RP0#usb device operation mount
Fri Jul 13 09:26:00.821 UTC success usb mounted
```

The following is an example of USB mount in XR-vm.

```
RP/0/RP0/CPU0:ios#unmount disk2: undo
Fri Jul 13 14:56:34.326 IST
disk2: mounted successfully.
```

The following is an example of copying the file to USB device.

```
[sysadmin-vm:0_RP0:~/showtech]$scp showtech-envmon-admin-2018-Jul-04.171400.IST.tgz /disk2\:
[sysadmin-vm:0_RP0:~/showtech]$cd /disk2\:
[sysadmin-vm:0_RP0:/disk2:]$ls -lrt
total 122424
drwxr-xr-x 2 root root      8192 Jul 12  2017 System Volume Information
drwxr-xr-x 2 root root      8192 Jun 11 16:16 boot
drwxr-xr-x 3 root root      8192 Jun 11 16:17 EFI
-rwxr-xr-x 1 root root 125306880 Jul 10 13:50 calvVarLog.tar
-rwxr-xr-x 1 root root   23023 Jul 13 05:23 showtech-envmon-admin-2018-Jul-04.171400.IST.tgz
```

## Unmount USB Device

### Unmount USB Device in sysadmin-vm

**usb device operation unmount**

### Unmount USB Device in XR

**unmount disk2:**

### Example

The following is an example of USB unmount in sysadmin-vm.

```
sysadmin-vm:0_RP0#usb device operation unmount
Fri Jul 13 09:25:24.531 UTC success usb unmounted
```

The following is an example of USB unmount in XR-vm.

```
RP/0/RP0/CPU0:ios#unmount disk2:
Fri Jul 13 14:56:46.393 IST
disk2: unmounted successfully.
```



## CHAPTER 7

# Fault Profiles

This chapter describes how to configure and manage fault profiles.

**Table 19: Feature History**

Feature Name	Release Information	Feature Description
Fault Profiles	Cisco IOS XR Release 7.3.1	This feature allows you to create a fault profile for faults on the system or on the line card. Each fault profile can contain one or more faults with user-defined severities.  Commands added: <ul style="list-style-type: none"><li>• fault-profile</li><li>• fault-profile apply</li></ul>

- [Fault Profiles, on page 97](#)
- [Configure Fault Profiles, on page 98](#)

## Fault Profiles

The default fault list in a system captures all the possible types of faults that the system generates, along with the associated default severity values, for each fault type. This default severity value is the severity of the fault that is generated in a system when no other fault profile is defined and applied in that system. Based on your requirement, you can create new fault profiles and change the severity of fault.

The Fault Profiling feature enables you to create a fault profile for faults on the system or the line card. Each fault profile can contain one or more faults with user-defined severities. The highest precedence is maintained at the port level and the lowest precedence is maintained at the system (node) level. For example, if the system profile is already attached and if you want to have a separate fault profile for a node, you can create a node profile and attach it to that node. The node inherits the properties of the node profile.

The available severity levels are:

- Major
- Minor

- Critical
- Non-Faulted
- Non-Reported

The defined set of actions for a fault profile are:

- Create and delete a fault profile
- Add alarms to a fault profile
- Remove alarms from a fault profile
- Modify severity of alarm in an existing fault profile

## Limitations of Fault Profiles

The following are the limitations for fault profiles:

- Fault profiling is available only on data path alarms—Ethernet, GFP, Optics, OTS, SDH, SONET, G709, and CPRI.
- You can create a maximum of 61 profiles.
- You can have only one fault profile for each level. Hence, you cannot apply more than one fault profile to node level and port level.

## Configure Fault Profiles

This task performs the following:

- Creates a fault profile with a unique name and a fault type.
- Adds one or more alarms to the fault profile with a severity different from the default profile.
- Applies the fault profile at port or slot level or node level.

**configure terminal**

**fault-profile** *fault-profile-name*

**fault identifier subsystem XR fault-type** { **HW\_GFP** | **HW\_ETHERNET** | **HW\_SDH\_CONTROLLER** | **HW\_SONET** | **HW\_OPTICS** | **HW\_G709** | **HW\_CPRI** | **HW\_OTS** } **fault-tag** *fault-name* **sas** *severity-level* **nsas** *severity-level*

**commit**

**fault-profile** *fault-profile-name* **apply rack 0 slot** { **ALL** | **LC1** | **LC2** | **LC3** } **port** *port-id*

**commit**

**exit**

*severity-level* (both sas and nsas) can take one of these values: CRITICAL, MAJOR, MINOR, NONFAULTED, or NONREPORTED.



For each **fault-type**, there is a list of *fault-name* corresponding to alarms that could be raised on the node. For example, the list of *fault-name* values for HW\_OTs **fault-type** is OTS\_AS\_MT, OTS\_APC\_RUNNING, OTS\_SWITCH\_TO\_PROTECT, OTS\_APC\_CONFIG\_MISMATCH, OTS\_APC\_DISABLED, OTS\_AUTO\_POW\_RED, OTS\_AUTO\_LASER\_SHUT, OTS\_AMPLI\_GAIN\_HIGH, OTS\_AMPLI\_GAIN\_LOW, OTS\_RX\_LOC, OTS\_RX\_LOS\_P, OTS\_RX\_POWER\_FAIL\_LOW, and OTS\_TX\_POWER\_FAIL\_LOW.

### Examples

The following sample creates a fault profile and applies at port or slot level.

```
RP/0/RP0/CPU0:ios#configure terminal
RP/0/RP0/CPU0:ios(config)#fault-profile FpSystem fault-identifier subsystem XR
fault-type HW_OTs fault-tag OTS_SWITCH_TO_PROTECT sas NONFAULTED nsas NONFAULTED
RP/0/RP0/CPU0:ios(config)#commit
RP/0/RP0/CPU0:ios(config)#fault-profile FpSystem apply rack 0 slot LC2 port 1
RP/0/RP0/CPU0:ios(config)#commit
RP/0/RP0/CPU0:ios(config)#exit
```

The following sample creates a fault profile and applies at node level.

```
RP/0/RP0/CPU0:ios#configure terminal
RP/0/RP0/CPU0:ios(config)#fault-profile FpNode fault-identifier subsystem XR
fault-type HW_OTs fault-tag OTS_RX_LOS_P sas CRITICAL nsas CRITICAL
RP/0/RP0/CPU0:ios(config)#commit
RP/0/RP0/CPU0:ios(config)#fault-profile FpNode apply rack 0 slot ALL
RP/0/RP0/CPU0:ios(config)#commit
RP/0/RP0/CPU0:ios(config)#exit
```





## CHAPTER 8

# Configure AAA

This chapter describes the implementation of the administrative model of task-based authorization used to control user access in the software system.

**Table 20: Feature History**

Feature Name	Release Information	Feature Description
OC support for AAA user	Cisco IOS XR Release 7.3.2	<p>This feature allows all authorized users on XR VM to access administration data on the router through NETCONF or gRPC interface, similar to accessing the CLI. This functionality works by internally mapping the task group of the user on XR VM to a predefined group on System Admin VM. Therefore, the NETCONF and gRPC users can access the administrative information on the router even if their user profiles do not exist on System Admin VM.</p> <p>Command added:</p> <ul style="list-style-type: none"><li>• <b>aaa authorization (System Admin-VM)</b></li></ul>

- [Understanding of AAA, on page 101](#)
- [Admin Access for NETCONF and gRPC, on page 102](#)

## Understanding of AAA

User groups and task groups are configured through the software command set used for authentication, authorization and accounting (AAA) services. Authentication commands are used to verify the identity of a user or principal. Authorization commands are used to verify that an authenticated user (or principal) is granted permission to perform a specific task. Accounting commands are used for logging of sessions and to create an audit trail by recording certain user- or system-generated actions.

AAA is part of the software base package and is available by default.

To configure authentication, authorization, and accounting (AAA) authentication at login, use the **aaa authentication login** command in global configuration mode.

## Admin Access for NETCONF and gRPC

This feature allows all authorized users on XR VM to access administration data on the router through NETCONF or gRPC interface, similar to accessing the CLI. This functionality works by internally mapping the task group of the user on XR VM to a predefined group on System Admin VM. Therefore, the NETCONF and gRPC users can access the admin-related information on the router even if their user profiles do not exist on System Admin VM.

NETCONF is an XML-based protocol used over Secure Shell (SSH) transport to configure a network. Similarly, gRPC is an open-source remote procedure call framework. The client applications can use these protocols to request information from the router and make configuration changes to the router. Prior to Cisco IOS XR Software Release 7.3.2, users who use NETCONF, gRPC or any other configuration interface, other than CLI, to access the admin-related information on the router, had to belong to user groups that are configured on System Admin VM. Otherwise, the router would issue an UNAUTHORIZED access error message and deny access through that client interface.

By default, XR VM synchronizes only the first configured user to System Admin VM. If you delete the first user in XR VM, the system synchronizes the next user in the **root-lr** group (which is the highest privilege group in XR VM for Cisco IOS XR 64-bit platforms) to System Admin VM only if there are no other users configured in System Admin VM. The system does not automatically synchronize the subsequent users to System Admin VM. Therefore, in earlier releases, users whose profiles did not exist in System Admin VM were not able to perform any NETCONF or gRPC operations on System Admin VM.

From Cisco IOS XR Software Release 7.3.2, the system internally maps the users who are authorized on XR VM to System Admin VM of the router, based on the task table of the user on XR VM. With this feature, the NETCONF and gRPC users can access admin-related information on the router even if their user profiles do not exist on System Admin VM. By default, this feature is enabled.

## User Profile Mapping from XR VM to System Admin VM

User privileges to execute commands and access data elements on the router are usually specified using certain command rules and data rules that are created and applied on the user groups.

When the internal process for AAA starts or when you create the first user, the system creates the following set of predefined groups, command rules and data rules in System Admin VM. These configurations are prepopulated to allow users of different groups (such as root-system, admin-r and aaa-r) in System Admin VM

You can use the **show running-configuration aaa** command to view the AAA configurations.

```
aaa authentication groups group aaa-r gid 100 users %%__system_user__%
!
aaa authentication groups group admin-r gid 100 users %%__system_user__%
!
aaa authentication groups group root-system gid 100 users "%%__system_user__% "
!
aaa authorization cmdrules cmdrule 1 context * command * group root-system ops rx action
accept
!
aaa authorization cmdrules cmdrule 2 context * command "show running-config aaa" group aaa-r
```

```

ops rx action accept
!
aaa authorization cmdrules cmdrule 3 context * command "show tech-support aaa" group aaa-r
ops rx action accept
!
aaa authorization cmdrules cmdrule 4 context * command "show aaa" group aaa-r ops rx
action accept
!
aaa authorization cmdrules cmdrule 5 context * command show group admin-r ops rx action
accept
!
aaa authorization datarules datarule 1 namespace * context * keypath * group root-system
ops rx action accept
!
aaa authorization datarules datarule 2 namespace * context * keypath /aaa group aaa-r ops
r action accept
!
aaa authorization datarules datarule 3 namespace * context * keypath /aaa group admin-r ops
rx action reject
!
aaa authorization datarules datarule 4 namespace * context * keypath / group admin-r ops r
action accept

```

The admin CLI for the user works based on the above configurations. The root-system is the group with the highest privilege in System Admin VM. The admin-r group has only read and execute access to all data. The aaa-r group has access only to AAA data. With the introduction of the admin access feature for all users, the NETCONF and gRPC applications can also access the admin data based on the above rules and groups.

## How to Allow Read Access to Administration Data for NETCONF and gRPC Clients

NETCONF and gRPC users access the administration data on the router through GET operations as defined by the respective protocols. To allow this read access to administration data for users belonging to admin-r group, you must configure a new command rule specifically for the NETCONF or gRPC client.

### Configuration Example

```

Router#admin
sysadmin-vm:0_RP0#configure
sysadmin-vm:0_RP0(config)#aaa authorization cmdrules cmdrule 6
sysadmin-vm:0_RP0(config-cmdrule-6)#context netconf
sysadmin-vm:0_RP0(config-cmdrule-6)#command get
sysadmin-vm:0_RP0(config-cmdrule-6)#group admin-r
sysadmin-vm:0_RP0(config-cmdrule-6)#ops rx
sysadmin-vm:0_RP0(config-cmdrule-6)#action accept
sysadmin-vm:0_RP0(config)#commit

```

### Running Configuration

```

aaa authorization cmdrules cmdrule 6
context netconf
command get
group admin-r
ops rx
action accept
!

```





## CHAPTER 9

# Implementing Host Services and Applications

Cisco IOS XR software Host Services and Applications features on the router are used primarily for checking network connectivity and the route a packet follows to reach a destination, mapping a hostname to an IP address or an IP address to a hostname, and transferring files between routers and UNIX workstations.

### Prerequisites for implementing Host Services and Applications

Ensure to install the relevant optional RPM package before using the host services or applications.

- [HTTP Client Application, on page 105](#)
- [TCP Overview, on page 106](#)

## HTTP Client Application

HTTP Client allows files to be transferred from http server to another device over a network using HTTP protocol. You can configure http client and various parameters associated with it by using the **http client** command.

### Configure HTTP Client

HTTP Client application is available by default. You can configure http client settings or view and modify the existing settings. To configure the settings, use the **http client** command in XR config mode.

```
Router #configure
Router(config)#http client ?
connection          Configure HTTP Client connection
response            How long HTTP Client waits for a response from the server
                    for a request message before giving up
secure-verify-host  Verify that if server certificate is for the server it is known as
secure-verify-peer  Verify authenticity of the peer's certificate
source-interface    Specify interface for source address
ssl                 SSL configuration to be used for HTTPS requests
tcp-window-scale    Set tcp window-scale factor for High Latency links
version             HTTP Version to be used in HTTP requests
vrf                 Name of vrf
```

**Table 21: Commands used to configure HTTP Client settings**

Features	Description
<b>connection</b>	Configure HTTP Client connection by using either retry or timeout options.

Features	Description
<b>response</b>	How long HTTP Client waits for a response from the server for a request message before giving up.
<b>secure-verify-host</b>	Verify host in peer's certificate. To disable verifying this, you can use the command <b>http client secure-verify-host disable</b>
<b>secure-verify-peer</b>	Verify authenticity of the peer's certificate.
<b>source-interface</b>	Specifies the interface for source address for all outgoing HTTP connections. You can enter either an ipv4 or ipv6 address or both.
<b>ssl version</b>	SSL version (configuration) to be used for HTTPS requests.
<b>tcp-window-scale scale</b>	Set tcp window-scale factor for high latency links.
<b>version version</b>	HTTP version to be used in HTTP requests. <ul style="list-style-type: none"> <li>• 1.0 - HTTP1.0 will be used for all HTTP requests.</li> <li>• 1.1 - HTTP1.1 will be used for all HTTP requests.</li> <li>• default libcurl - will use HTTP version automatically.</li> </ul>
<b>vrf name</b>	Name of vrf.

### Examples

**Example 1:** This example shows how to set the tcp window-scale to 8.

```
Router(config)#http client tcp-window-scale 8
```

**Example 2:** This example shows how to set the HTTP version to 1.0.

```
Router(config)#http client version 1.0
```




---

**Note** HTTP Client uses libcurl version 7.30

---

## TCP Overview

TCP is a connection-oriented protocol that specifies the format of data and acknowledgments that two computer systems exchange to transfer data. TCP also specifies the procedures the computers use to ensure that the data arrives correctly. TCP allows multiple applications on a system to communicate concurrently, because it handles all demultiplexing of the incoming traffic among the application programs.



## TCP Dump File Converter

TCP dump file converter is a tool that converts ios-xr dump-files in binary format to user-friendly format such as PCAP or text.

It proves especially useful when you disable Non-Stop Routing (NSR) or experience a session flap on your system. During such incidents, by default, the TCP process running on the NCS system promptly stores the latest 200 packet traces in binary format within a temporary folder.

TCP dump packet traces also includes data about the configured routing protocols and the overall network traffic traversing your system. This data equips you with the necessary insights to identify and resolve issues within your network infrastructure, facilitating proactive network troubleshooting.

You can view the packet traces binary files in the user-readable format using the following methods:

- You can use the **show tcp dump-file <binary filename>** command to view each binary file in text format manually. For more information, refer to [View Binary Files in Text Format Manually, on page 107](#).

This process consumes much time, as you have to view each file manually one after another.

- You can convert all stored packet traces in binary files into PCAP, text, or both using the **tcp dump-file convert** command. For more information, refer to [Convert Binary Files to Readable Format Using TCP Dump File Converter, on page 108](#).

This active approach greatly improves the efficiency and ease of packet analysis during network troubleshooting.

### Limitations and Restrictions for TCP Dump File Converter

- The system only stores the most recent 200 message exchanges that occurred right before the session termination, when NSR is disabled, or during a session flap.
- You can view only one binary file in text format using the **show tcp dump-file <binary filename>** command.
- TCP dump files are generated by default for BGP, MSDP, MPLS LDP and SSH.

### View Binary Files in Text Format Manually

Perform the following steps to view each packet traces binary file in text format without using the TCP dump file converter:

#### Procedure

- Step 1** View the list of packet traces in binary files stored in the tcpdump folder using the **show tcp dump-file list all** command.

#### Example:

```
RP/0/RP0/CPU0:ios# show tcp dump-file list all
total 1176
-rw-r--r-- 1 root root 5927 Nov 22 12:42 31_0_0_126.179.20966.c1.1700656933
-rw-r--r-- 1 root root 5892 Nov 22 12:42 31_0_0_127.179.35234.c1.1700656933
-rw-r--r-- 1 root root 6148 Nov 22 12:42 31_0_0_149.179.54939.c1.1700656933
-rw-r--r-- 1 root root 5894 Nov 22 12:42 31_0_0_155.179.18134.c1.1700656933
-rw-r--r-- 1 root root 6063 Nov 22 12:42 31_0_0_156.179.25445.c1.1700656933
-rw-r--r-- 1 root root 5860 Nov 22 12:42 31_0_0_161.179.30859.c1.1700656933
```

```
-rw-r--r-- 1 root root 5832 Nov 22 12:42 31_0_0_173.179.36935.cl.1700656933
-rw-r--r-- 1 root root 5906 Nov 22 12:42 31_0_0_190.179.25642.cl.1700656933
```

**Step 2** View each packet traces binary file in text format using the `show tcp dump-file <binary filename>` command.

**Example:**

```
RP/0/RP0/CPU0:ios# show tcp dump-file 10_106_0_73.179.34849.cl.1707424077 location 0/RP0/CPU0
Filename: 10_106_0_73.179.34849.cl.1707424077
```

```
=====
Connection state is CLOSED, I/O status: 0, socket status: 103
PCB 0x00007f86bc05e3b8, SO 0x7f86bc05e648, TCPCB 0x7f86bc0c3718, vrfid 0x60000000,
Pak Prio: Medium, TOS: 192, TTL: 1, Hash index: 1593
Local host: 10.106.0.72, Local port: 179 (Local App PID: 11354)
Foreign host: 10.106.0.73, Foreign port: 34849
(Local App PID/instance/SPL_APP_ID: 11354/1/0)
```

```
Current send queue size in bytes: 0 (max 0)
Current receive queue size in bytes: 0 (max 0) mis-ordered: 0 bytes
Current receive queue size in packets: 0 (max 0)
```

Timer	Starts	Wakeups	Next (msec)
Retrans	103448	8	0
SendWnd	0	0	0
TimeWait	1	0	0
AckHold	106815	106545	0
KeepAlive	1	0	0
PmtuAger	0	0	0
GiveUp	0	0	0
Throttle	0	0	0
FirstSyn	0	0	0

```
iss: 161240548 snduna: 163206936 sndnxt: 163206936
sndmax: 163206936 sndwnd: 63104 sndcwnd: 18120
irs: 3691232436 rcvnxt: 3693473072 rcvwnd: 26099 rcvadv: 3693499171
```

The above sample displays only a part of the actual output; the actual output displays more details.

## Convert Binary Files to Readable Format Using TCP Dump File Converter

Perform the following steps to convert the dump packet traces in binary files into PCAP and text formats:

### Procedure

**Step 1** Execute the `tcp dump-file convert all-formats all` command to convert the dump packet traces in binary files into PCAP and text formats.

**Example:**

```
RP/0/RP0/CPU0:ios# tcp dump-file convert all-formats all
ascii file is saved at :
/harddisk:/decoded_dumpfiles/text_tcpdump_peer_all_node0_RP0_CPU0_2024_3_19_10_8_53.462070.txt
pcap file is saved at :
/harddisk:/decoded_dumpfiles/pcap_tcpdump_peer_all_node0_RP0_CPU0_2024_3_19_10_8_40.154838.pcap
[OK]
```

By default, the system stored the converted files in the "decoded\_dumpfiles" folder on the "hard disk".

Using the **location node-id** and **file <file path>** keywords, you can save the converted TCP dump file to your desired location.

For example, **tcp dump-file convert all-formats all location 0/RP0/CPU0 file /harddisk:/demo2**.

```
RP/0/RP0/CPU0:ios# tcp dump-file convert all-formats all location 0/RP0/CPU0 file /harddisk:/demo2
ascii file is saved at : /harddisk:/demo2.txt
pcap file is saved at : /harddisk:/demo2.pcap
[OK]
```

**Step 2** To view the converted text file in the CLI, use the **run cat <text file path>** command.

**Example:**

```
RP/0/RP0/CPU0:ios# run cat
/harddisk:/decoded_dumpfiles/text_tcpdump_peer_all_node0_RP0_CPU0_2024_3_19_10_8_53.462070.txt
Filename: 2024_3_19_10_8_53.462070
```

```
=====
Connection state is CLOSED, I/O status: 0, socket status: 103
PCB 0x0000000000f47a80, SO 0xf476d0, TCPCB 0xf6a370, vrfid 0x60000000,
Pak Prio: Medium, TOS: 192, TTL: 255, Hash index: 563
Local host: 14:11:11::1, Local port: 47743 (Local App PID: 19579)
Foreign host: 14:11:11::2, Foreign port: 179
(Local App PID/instance/SPL_APP_ID: 19579/1/0)
```

```
Current send queue size in bytes: 0 (max 0)
Current receive queue size in bytes: 0 (max 0) mis-ordered: 0 bytes
Current receive queue size in packets: 0 (max 0)
```

Timer	Starts	Wakeups	Next (msec)
Retrans	70	2	0
SendWnd	0	0	0
TimeWait	2	0	0
AckHold	66	61	0
KeepAlive	1	0	0
PmtuAger	0	0	0
GiveUp	0	0	0
Throttle	0	0	0
FirstSyn	1	1	0

```
iss: 3113104891 snduna: 3113106213 sndnxt: 3113106213
sndmax: 3113106213 sndwnd: 31523 sndcwnd: 2832
irs: 4250126727 rcvnxt: 4250128049 rcvwnd: 31448 rcvadv: 4250159497
```

The above sample displays only a part of the actual output; the actual output displays more details.

**Step 3** Copy the converted packet traces from the system to your local computer using the **scp** command and view the converted PCAP file.





## APPENDIX **A**

# Configuring SNMP

---

The following MIBs are supported in NCS 1001.

- CISCO-OPTICAL-OTS-MIB
- CISCO-CONFIG-MAN-MIB
- CISCO-FLASH-MIB
- CISCO-ENTITY-REDUNDANCY-MIB
- CISCO-SYSTEM-MIB
- CISCO-ENTITY-ASSET-MIB
- EVENT-MIB
- DISMAN-EXPRESSION-MIB
- CISCO-FTP-CLIENT-MIB
- NOTIFICATION-LOG-MIB
- CISCO-RF-MIB
- CISCO-TCP-MIB
- UDP-MIB
- CISCO-OTN-IF-MIB
- CISCO-ENHANCED-MEMPOOL-MIB
- CISCO-PROCESS-MIB
- CISCO-SYSLOG-MIB
- ENTITY-MIB
- CISCO-ENTITY-FRU-CONTROL-MIB
- CISCO-IF-EXTENSION-MIB
- RMON-MIB
- CISCO-OPTICAL-MIB

- CISCO-ENTITY-SENSOR-MIB


**Note**

- CISCO-OPTICAL-OTS-MIB contains the SNMP traps for all the specific NCS 1001 alarms that are not related to other platforms. These alarms are reported through SNMP traps with appropriate severity and hardware port notification. Other MIBs such as CISCO-OPTICAL-MIB contains the SNMP traps for alarms that can also be raised on other platforms, for example, NCS 1002.

- **Configuring SNMP Traps**

To configure SNMP traps follow the steps given below.

1. **configure**
2. **snmp-server traps optical-ots**
3. **commit**

**Example:**

```
RP/0/RP0/CPU0:NCS1001#config
Thu Apr 27 10:24:05.868 UTC
RP/0/RP0/CPU0:NCS1001(config)#snmp-server traps optical-ots
RP/0/RP0/CPU0:NCS1001(config)#commit
Thu Apr 27 10:24:15.176 UTC
RP/0/RP0/CPU0:NCS1001(config)#
```

The following table provides more information about SNMP MIBs and the documentation links.

Task	Link
Determine the MIB definitions	<a href="#">SNMP Object Navigator</a>
Configure SNMP	<a href="#">Configure SNMP</a>
Understand the SNMP best practices regarding the recommended order of SNMP query, maximum cache hit, and SNMP retry and timeout recommendation	<a href="#">SNMP Best Practices</a>