



Mounting the Brackets on NCS 2006 Shelf

This chapter explains how to mount the brackets on Cisco NCS 2006 shelf.



Caution Use only the fastening hardware provided with the NCS 2006 shelf to prevent loosening, deterioration, and electromechanical corrosion of the hardware and joined material.



Caution When mounting the NCS 2006 shelf in a frame with a nonconductive coating (such as paint, lacquer, or enamel) either use the thread-forming screws provided with the NCS 2006 shipping kit, or remove the coating from the threads to ensure electrical continuity.

The reversible mounting bracket is used to mount the shelf on a 19-inch or 23-inch (482.6 mm or 584.2 mm) rack.

The sections are:

- [NTP-L2 Mounting the Brackets in ANSI Configuration](#) , on page 1
- [NTP-L46 Mounting the Brackets in ETSI Configuration](#) , on page 10

NTP-L2 Mounting the Brackets in ANSI Configuration

Purpose	This procedure helps in mounting the brackets on the NCS 2006 shelf.
Tools/Equipment	<ul style="list-style-type: none"> • #2 Phillips Dynamometric screwdriver • Medium slot-head screwdriver • Small slot-head screwdriver • ETSI only: <ul style="list-style-type: none"> • Six M6 x 20 pan-head Phillips mounting screws • ANSI only: <ul style="list-style-type: none"> • Six #12-24 x 3/4 pan-head Phillips mounting screws
Prerequisite Procedures	DLP-L62 Unpacking and Verifying the Shelf DLP-L63 Inspecting the Shelf

Required/As Needed	Required
Onsite/Remote	Onsite
Security Level	None



Warning Stability hazard. The rack stabilizing mechanism must be in place, or the rack must be bolted to the floor before you slide the unit out for servicing. Failure to stabilize the rack can cause the rack to tip over. Statement 1048



Warning This product requires short-circuit (overcurrent) protection, to be provided as part of the building installation. Install only in accordance with national and local wiring regulations. Statement 1045



Warning This product relies on the building's installation for short-circuit (overcurrent) protection. Ensure that the protective device is rated not greater than: 40A and between -40.5 VDC to -57.6 VDC. Statement 1005



Warning This product relies on the building's installation for short-circuit (overcurrent) protection. Ensure that the protective device is rated not greater than: 10A-20A, 100-240 VAC~. Statement 1005



Warning To prevent the system from overheating, do not operate it in an area that exceeds the maximum recommended ambient temperature of: 131°F (55°C). Statement 1047



Warning Take care when connecting units to the supply circuit so that wiring is not overloaded. Statement 1018



Warning To prevent bodily injury when mounting or servicing this unit in a rack, you must take special precautions to ensure that the system remains stable. The following guidelines are provided to ensure your safety:

- This unit should be mounted at the bottom of the rack if it is the only unit in the rack.
- When mounting this unit in a partially filled rack, load the rack from the bottom to the top with the heaviest component at the bottom of the rack.
- If the rack is provided with stabilizing devices, install the stabilizers before mounting or servicing the unit in the rack. Statement 1006



Warning To prevent airflow restriction, allow clearance around the ventilation openings to be at least:1 inch (25.4 mm). Statement 1076



Warning To comply with EN50121-4:2006 - Railway applications, Electromagnetic compatibility, a shielded cable must be used to connect to the EMS port. This cable must be less than 30 meters in length and not placed in the 3 meter boundary, as defined in EN50121-4:2006, Table 2, note 1. Statement 8010



Warning To comply with EN50121-4:2006 - Railway applications, Electromagnetic compatibility, DC power cables must be less than 30 meter long. Statement 8011

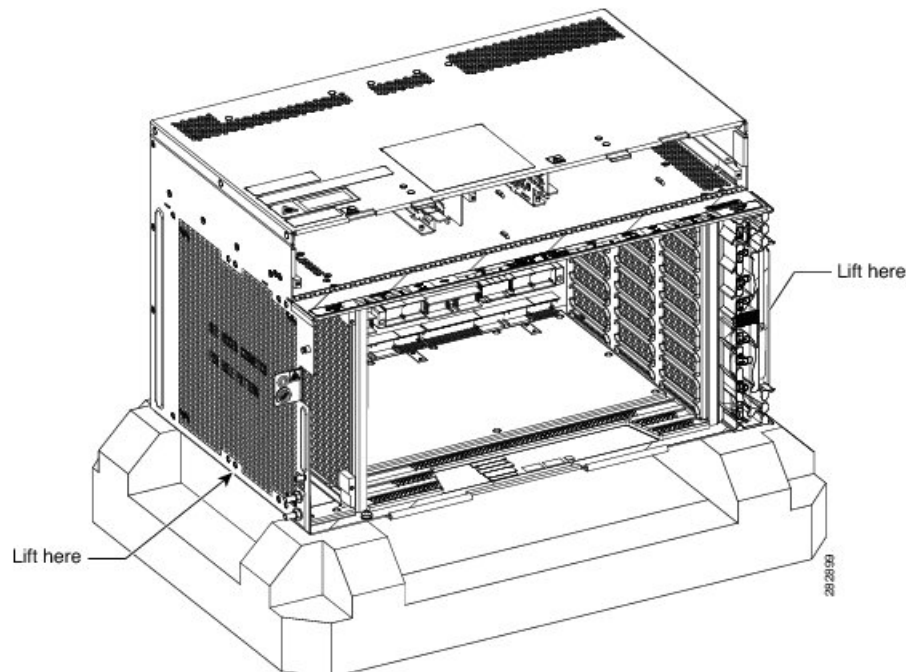


Note During installation, do not use the door to handle the chassis.



Note Remove the door from the NCS 2006 shelf and reinstall it after installing all the other modules.

Figure 1: Handling the Chassis During Installation



Procedure

- Step 1** Complete the necessary task as applicable:
- [DLP-L1 Verify the NCS 2006 Shelf for AC Power Module Installation, on page 4](#)
 - [DLP-L2 Verify the NCS 2006 Shelf for DC Power Module Installation, on page 5](#)
- Step 2** Complete the necessary task as applicable:
- [DLP-L3 Mounting the Reversible Brackets on the NCS 2006 Shelf for ANSI Rack Configuration, on page 6](#)
 - [DLP-L4 Mounting the Bracket with Air Deflectors \(Front-to-Back\) on the NCS 2006 Shelf for ANSI Rack Configuration, on page 8](#)

Stop. You have completed this procedure.

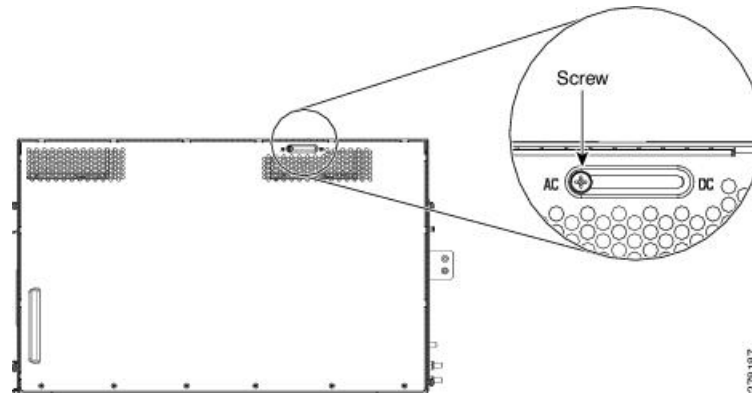
DLP-L1 Verify the NCS 2006 Shelf for AC Power Module Installation

Purpose	This task verifies the shelf for AC power module installation.
Tools/Equipment	None
Prerequisite Procedures	DLP-L62 Unpacking and Verifying the Shelf DLP-L63 Inspecting the Shelf
Required/As Needed	Required
Onsite/Remote	Onsite
Security Level	None

Procedure

- Step 1** Verify the position of the mechanical locking system on the rear side of the chassis. To use the AC power module, the screw must be close to the AC silk-screen text (see the figure below).

Figure 2: AC Power Module Installation—Rear Side of the NCS 2006 Shelf



Step 2 Loosen the screw and move it to the left position (towards the AC silk-screen text).

Step 3 Tighten the screw again to a torque value of 4 in-lb (0.45 N-m).

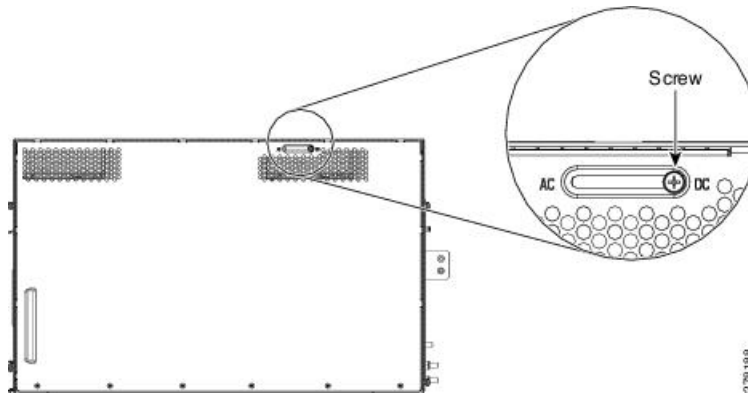
DLP-L2 Verify the NCS 2006 Shelf for DC Power Module Installation

Purpose	This task verifies the NCS 2006 shelf for DC power module installation.
Tools/Equipment	None
Prerequisite Procedures	DLP-L62 Unpacking and Verifying the Shelf DLP-L63 Inspecting the Shelf
Required/As Needed	Required
Onsite/Remote	Onsite
Security Level	None

Procedure

Step 1 Verify the position of the mechanical locking system on the rear side of the chassis. To use the DC power module the screw must be close to the DC silk-screen text (see the figure below).

Figure 3: DC Power Module Installation—Rear Side of the NCS 2006 Shelf



- Step 2** Loosen the screw and move it to the right position (towards the DC silk-screen text).
- Step 3** Tighten the screw again to a torque value of 4 in-lb (0.45 N-m).
- Step 4** Return to your originating procedure (NTP).

DLP-L3 Mounting the Reversible Brackets on the NCS 2006 Shelf for ANSI Rack Configuration

Purpose	This task installs the reversible mounting brackets on the NCS 2006 shelf for ANSI rack configuration.
Tools/Equipment	<ul style="list-style-type: none"> • #2 Phillips Dynamometric screwdriver • Medium slot-head screwdriver • Small slot-head screwdriver
Prerequisite Procedures	DLP-L62 Unpacking and Verifying the Shelf DLP-L63 Inspecting the Shelf
Required/As Needed	As needed
Onsite/Remote	Onsite
Security Level	None



Caution Use only the fastening hardware provided with the NCS 2006 to prevent loosening, deterioration, and electromechanical corrosion of the hardware and joined material.



Caution When mounting the NCS 2006 in a frame with a nonconductive coating (such as paint, lacquer, or enamel) either use the thread-forming screws provided with the NCS 2006 ship kit, or remove the coating from the threads to ensure electrical continuity.



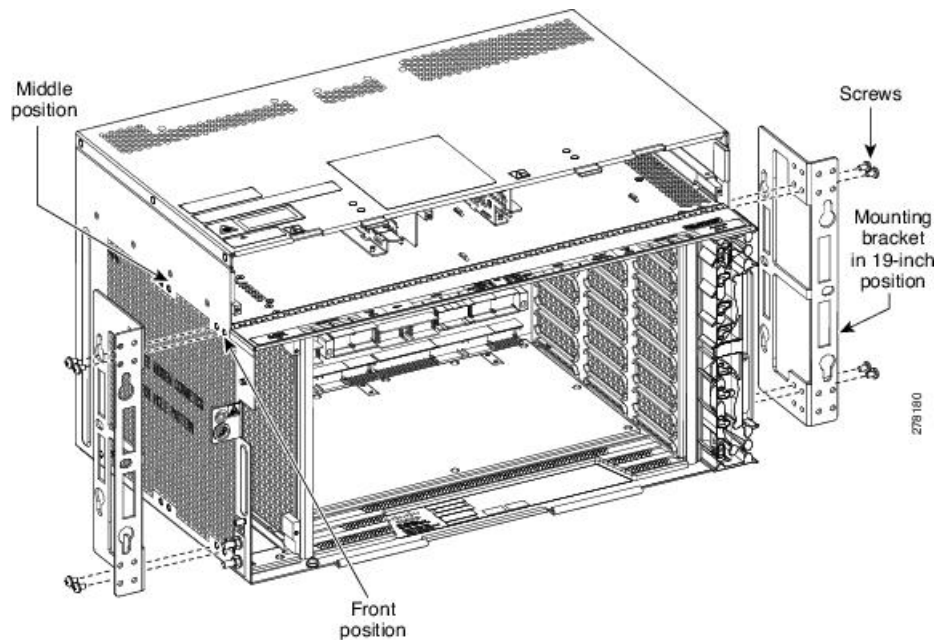
Note In an ANSI rack, reversible mounting brackets (19-inch or 23-inch) are used to install the shelf. The mounting brackets can be installed in the front or the middle position of the chassis.

Procedure

Step 1 To mount the reversible brackets:

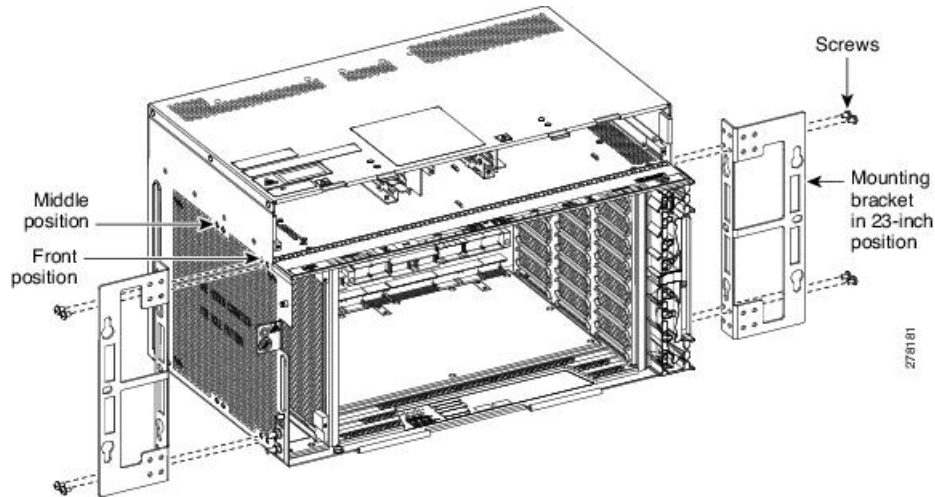
- For a 19-inch (482.6-mm) configuration, place the widest side of the mounting bracket flush against the shelf (see the figure below). The narrow side of the mounting bracket should be towards the front of the shelf.

Figure 4: Mounting the Brackets on the NCS 2006 shelf for a 19-inch (482.6-mm) ANSI Configuration



- For a 23-inch (584.2-mm) configuration, place the narrow side of the mounting bracket flush against the shelf (see the figure below). The widest side of the mounting bracket should be towards the front of the shelf.

Figure 5: Mounting the Brackets on the NCS 2006 shelf for a 23-inch (584.2-mm) ANSI Configuration



- Step 2** Align the mounting bracket screw holes against the shelf screw holes.
- Step 3** Insert the screws and tighten them to a torque value of 11.5 in-lb (1.3 N-m).
- Step 4** Repeat steps 1 through 3 for the mounting bracket on the opposite side.
- Step 5** Return to your originating procedure (NTP).

DLP-L4 Mounting the Bracket with Air Deflectors (Front-to-Back) on the NCS 2006 Shelf for ANSI Rack Configuration

Purpose	This task installs the bracket with air deflectors (front-to-back) on the NCS 2006 shelf for ANSI rack configuration. Note In an ANSI rack, the air deflectors can be mounted only in the 23-inch rack configuration and in the front position of the chassis.
Tools/Equipment	<ul style="list-style-type: none"> • #2 Phillips Dynamometric screwdriver • Medium slot-head screwdriver • Small slot-head screwdriver
Prerequisite Procedures	DLP-L62 Unpacking and Verifying the Shelf DLP-L63 Inspecting the Shelf
Required/As Needed	As needed
Onsite/Remote	Onsite
Security Level	None



Caution Use only the fastening hardware provided with the NCS 2006 to prevent loosening, deterioration, and electromechanical corrosion of the hardware and joined material.

Procedure

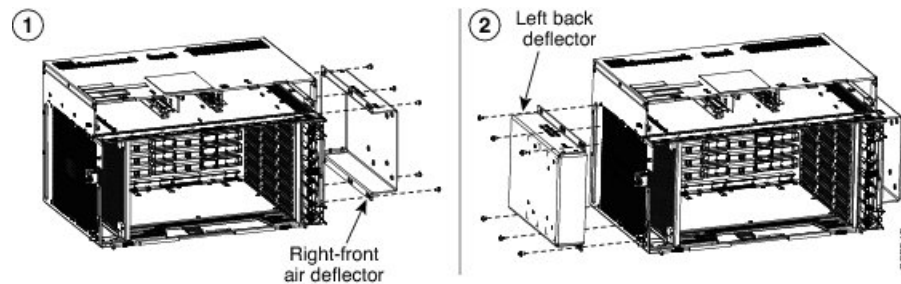
- Step 1** (ANSI only) Place the right front air deflector flush against the right side of the chassis (see Diagram 1 of the figure below).
- Step 2** Align the screw holes on the right front air deflector with the screw holes on the right side of the chassis.
- Step 3** Insert the screws and tighten them to a torque value of 11.5 in-lb (1.3 N-m).
- Step 4** Place the left back air deflector flush chassis as shown in Diagram 2 of the figure below.

Do not mount the left back deflector (exhaust air deflector), if these cards are to be installed in the NCS 2006 shelf:

- 100G-LC-C, 10x10G-LC, or CFP-LC
- EDRA1-26, EDRA1-35, EDRA2-26, or EDRA2-35

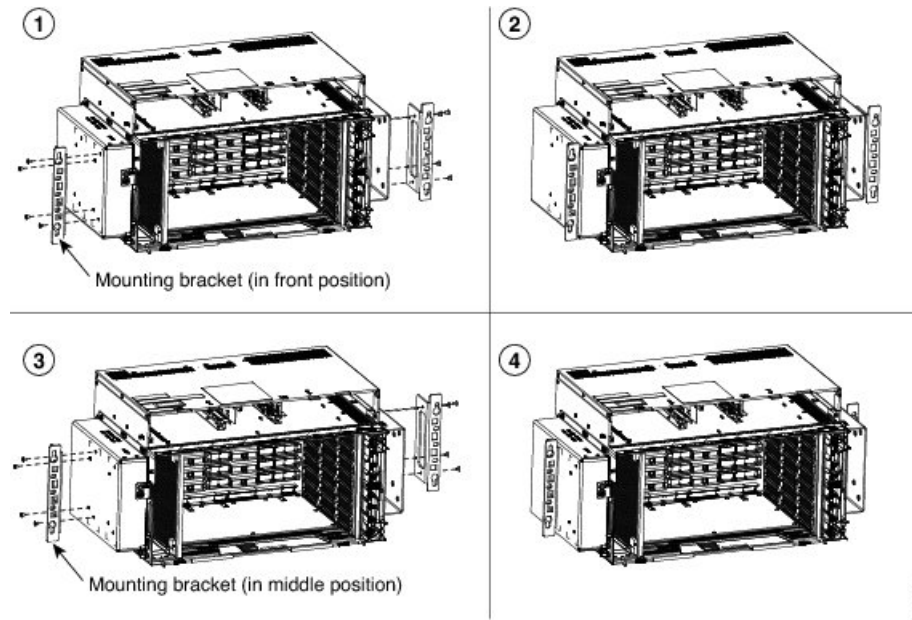
Use the standard brackets directly to mount the NCS 2006 shelf.

Figure 6: Mounting the Air Deflectors (Front-to-Back) on the NCS 2006 Shelf for the ANSI rack Configuration



- Step 5** Align the screw holes on the left back air deflector with the screw holes on the left side of the chassis.
- Step 6** Insert the screws and tighten them to a torque value of 11.5 in-lb (1.3 N-m).
- Step 7** Place the 23-inch mounting bracket flush in the front position (see Diagram 1 of the figure below) or in the middle position (see Diagram 3 of the figure below) against the right side of the chassis.
- Step 8** Align the screw holes on the 23-inch mounting bracket with the screw holes on the right side of the chassis.
- Step 9** Insert the screws and tighten them to a torque value of 11.5 in-lb (1.3 N-m).
- Step 10** Place the 23-inch mounting bracket flush in the front position (see Diagram 1 of the figure below) or in the middle position (see Diagram 3 of the figure below) against the left side of the chassis.
- Step 11** Align the screw holes on the 23-inch mounting bracket with the screw holes on the left side of the chassis.
- Step 12** Insert the screws and tighten them to a torque value of 11.5 in-lb (1.3 N-m).

Figure 7: Mounting the Brackets with Air Deflectors (Front-to-Back) on the NCS 2006 Shelf for ANSI Rack Configuration



Step 13 Return to your originating procedure (NTP).

NTP-L46 Mounting the Brackets in ETSI Configuration

Purpose	This procedure helps in mounting the brackets on the NCS 2006 shelf.
Tools/Equipment	<ul style="list-style-type: none"> • #2 Phillips Dynamometric screwdriver • Medium slot-head screwdriver • Small slot-head screwdriver • ETSI only: <ul style="list-style-type: none"> • Six M6 x 20 pan-head Phillips mounting screws • ANSI only: <ul style="list-style-type: none"> • Six #12-24 x 3/4 pan-head Phillips mounting screws
Prerequisite Procedures	DLP-L62 Unpacking and Verifying the Shelf DLP-L63 Inspecting the Shelf
Required/As Needed	Required
Onsite/Remote	Onsite
Security Level	None

Procedure

Complete the necessary task as applicable:

- [DLP-L5 Mounting the Brackets on the NCS 2006 Shelf for ETSI Rack Configuration, on page 11](#)
- [DLP-L6 Mounting the Air Deflectors \(Front-to-Front\) on the NCS 2006 Shelf for ETSI Rack Configuration, on page 12](#)
- [DLP-L7 Mounting the Bracket with Air Deflectors \(Front-to-Back\) on the NCS 2006 Shelf for ETSI Rack Configuration, on page 14](#)
- [DLP-L8 Mounting the Bracket with Air Deflectors \(Front-to-Top\) on the NCS 2006 Shelf for ETSI Rack Configuration, on page 16](#)
- [DLP-L81 Mounting the Bracket with Air Deflectors \(Front-to-Side\) on the NCS 2006 Shelf for ETSI Rack Configuration, on page 19](#)

Stop. You have completed this procedure.

DLP-L5 Mounting the Brackets on the NCS 2006 Shelf for ETSI Rack Configuration

Purpose	This task installs the mounting brackets on the NCS 2006 shelf for ETSI rack configuration. Note In an ETSI rack, the mounting brackets are installed only in the front position.
Tools/Equipment	<ul style="list-style-type: none"> • #2 Phillips Dynamometric screwdriver • Medium slot-head screwdriver • Small slot-head screwdriver
Prerequisite Procedures	DLP-L62 Unpacking and Verifying the Shelf DLP-L63 Inspecting the Shelf
Required/As Needed	As needed
Onsite/Remote	Onsite
Security Level	None



Caution Use only the fastening hardware provided with the NCS 2006 to prevent loosening, deterioration, and electromechanical corrosion of the hardware and joined material.

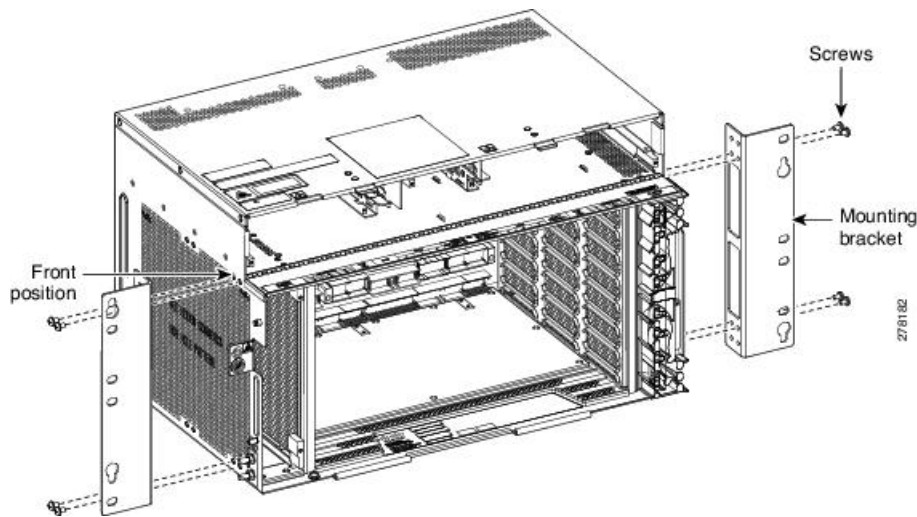


Caution When mounting the NCS 2006 in a frame with a nonconductive coating (such as paint, lacquer, or enamel) either use the thread-forming screws provided with the NCS 2006 ship kit, or remove the coating from the threads to ensure electrical continuity.

Procedure

- Step 1** Place the mounting bracket flush against the shelf as shown in the figure below.
- Step 2** Align the mounting bracket screw holes against the shelf screw holes.
- Step 3** Insert the screws and tighten them to a torque value of 11.5 in-lb (1.3 N-m).
- Step 4** Repeat steps 1 through 3 for the mounting bracket on the opposite side.

Figure 8: Mounting the Brackets on the NCS 2006 Shelf for ETSI Rack Configuration



- Step 5** Return to your originating procedure (NTP).

DLP-L6 Mounting the Air Deflectors (Front-to-Front) on the NCS 2006 Shelf for ETSI Rack Configuration

Purpose	This task installs the air deflectors (front-to-front) on the NCS 2006 shelf for ETSI rack configuration. Note The air deflectors can be installed only in the front position of the chassis.
Tools/Equipment	<ul style="list-style-type: none"> • #2 Phillips Dynamometric screwdriver • Medium slot-head screwdriver • Small slot-head screwdriver

Prerequisite Procedures	DLP-L62 Unpacking and Verifying the Shelf DLP-L63 Inspecting the Shelf
Required/As Needed	As needed
Onsite/Remote	Onsite
Security Level	None



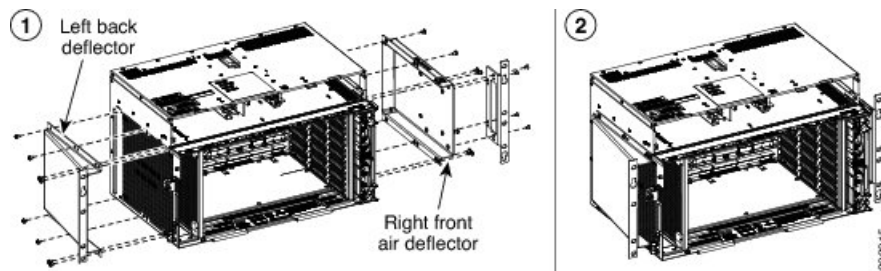
Caution Use only the fastening hardware provided with the NCS 2006 to prevent loosening, deterioration, and electromechanical corrosion of the hardware and joined material.

Procedure

Step 1 Place the right front air deflector flush against the right side of the chassis (see the figure below).

Step 2 Align the screw holes on the right front air deflector with the screw holes on the right side of the chassis.

Figure 9: Mounting the Air Deflectors (Front-to-Front) on the NCS 2006 Shelf for ETSI Rack Configuration



Step 3 Insert the screws and tighten them to a torque value of 11.5 in-lb (1.3 N-m).

Step 4 Place the left front air deflector flush against the left side of the chassis.

Do not mount the left front deflector (exhaust air deflector), if these cards are to be installed in the NCS 2006 shelf:

- 100G-LC-C, 10x10G-LC, or CFP-LC
- EDRA1-26, EDRA1-35, EDRA2-26, or EDRA2-35
- MR-MXP

Use the standard brackets directly to mount the NCS 2006 shelf.

Step 5 Align the screw holes on the left front air deflector with the screw holes on the left side of the chassis.

Step 6 Insert the screws and tighten them to a torque value of 11.5 in-lb (1.3 N-m).

Step 7 Return to your originating procedure (NTP).

DLP-L7 Mounting the Bracket with Air Deflectors (Front-to-Back) on the NCS 2006 Shelf for ETSI Rack Configuration

Purpose	This task installs the bracket with air deflectors (front-to-back) on the NCS 2006 shelf for ETSI rack configuration. Note The air deflectors can be installed only in the front position of the chassis.
Tools/Equipment	<ul style="list-style-type: none"> • #2 Phillips Dynamometric screwdriver • Medium slot-head screwdriver • Small slot-head screwdriver
Prerequisite Procedures	DLP-L62 Unpacking and Verifying the Shelf DLP-L63 Inspecting the Shelf
Required/As Needed	As needed
Onsite/Remote	Onsite
Security Level	None



Caution Use only the fastening hardware provided with the NCS 2006 to prevent loosening, deterioration, and electromechanical corrosion of the hardware and joined material.

Procedure

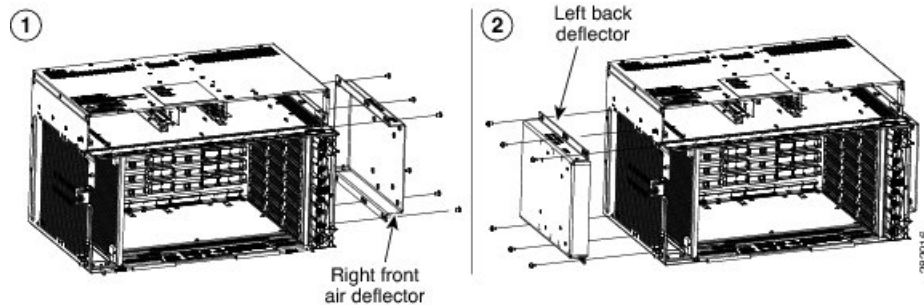
- Step 1** Place the right front air deflector flush against the right side of the chassis (see Diagram 1 of the figure below).
- Step 2** Align the screw holes on the right front air deflector with the screw holes on the right side of the chassis.
- Step 3** Insert the screws and tighten them to a torque value of 11.5 in-lb (1.3 N-m).
- Step 4** Place the left back air deflector flush against the chassis as shown in Diagram 2 of the figure below.

Do not mount the left back deflector (exhaust air deflector), if these cards are to be installed in the NCS 2006 shelf:

- 100G-LC-C, 10x10G-LC, or CFP-LC
- EDRA1-26, EDRA1-35, EDRA2-26, or EDRA2-35

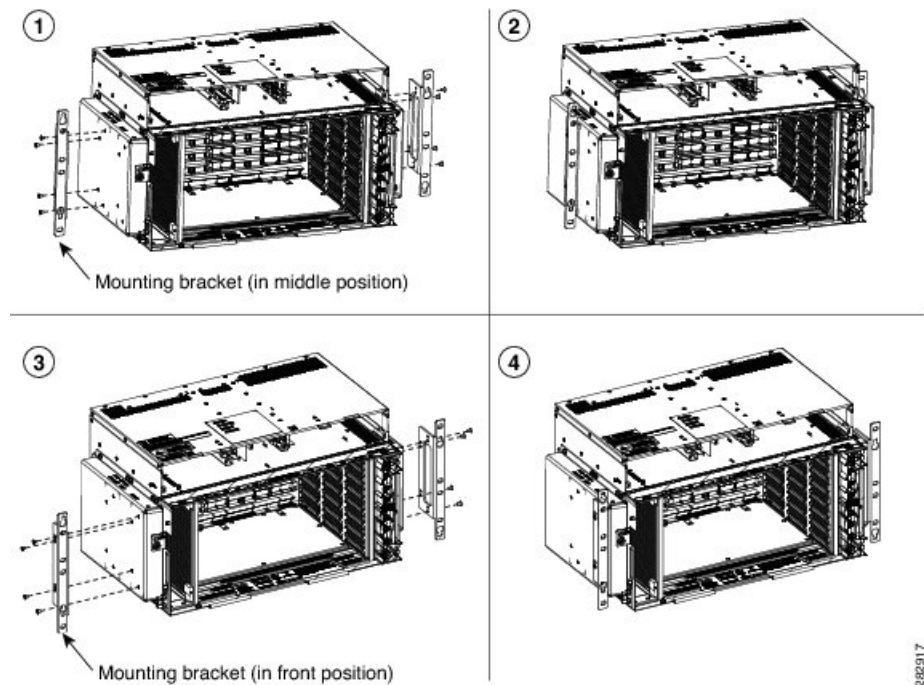
Use the standard brackets directly to mount the NCS 2006 shelf.

Figure 10: Mounting the Air Deflectors (Front-to-Back) on the NCS 2006 Shelf for ETSI Rack Configuration



- Step 5** Align the screw holes of the left back air deflector with the screw holes on the left side of the chassis.
- Step 6** Insert the screws and tighten them to a torque value of 11.5 in-lb (1.3 N-m).
- Step 7** Place the mounting bracket flush in the middle position (see Diagram 1 of the figure below) or the front position (see Diagram 3 of the figure below) against the right side of the chassis.
- Step 8** Align the screw holes on the mounting bracket with the screw holes on the left side of the chassis.
- Step 9** Insert the screws and tighten them to a torque value of 11.5 in-lb (1.3 N-m).
- Step 10** Place the mounting bracket flush in the middle position (see Diagram 1 of the figure below) or the front position (see Diagram 3 of the figure below) against the left side of the chassis.
- Step 11** Align the screw holes on the mounting bracket with the screw holes on the left side of the chassis.
- Step 12** Insert the screws and tighten them to a torque value of 11.5 in-lb (1.3 N-m).

Figure 11: Mounting the Bracket with Air Deflectors (Front-to-Back) on the NCS 2006 Shelf for ETSI Rack Configuration



- Step 13** Return to your originating procedure (NTP).

DLP-L8 Mounting the Bracket with Air Deflectors (Front-to-Top) on the NCS 2006 Shelf for ETSI Rack Configuration

Purpose	This task installs the bracket with air deflectors (front-to-top) on the NCS 2006 shelf for ETSI rack configuration.
Tools/Equipment	<ul style="list-style-type: none"> • #2 Phillips Dynamometric screwdriver • Medium slot-head screwdriver • Small slot-head screwdriver
Prerequisite Procedures	DLP-L62 Unpacking and Verifying the Shelf DLP-L63 Inspecting the Shelf
Required/As Needed	As needed
Onsite/Remote	Onsite
Security Level	None



Caution Use only the fastening hardware provided with the NCS 2006 to prevent loosening, deterioration, and electromechanical corrosion of the hardware and joined material.



Note The front-to-top air deflector configuration must be used only for the bottom most chassis in the rack.



Note Do not install a fan tray (exhaust) side deflector on a chassis that is installed above a chassis with a front-to-top air deflector configuration.



Note The front-to-top deflector configuration can be operated at a maximum of 50C at 1800 m altitude. Only ROADM cards can be installed for this configuration.



Note It is recommended to maintain a space of one RU between two chassis in a rack for cable management.

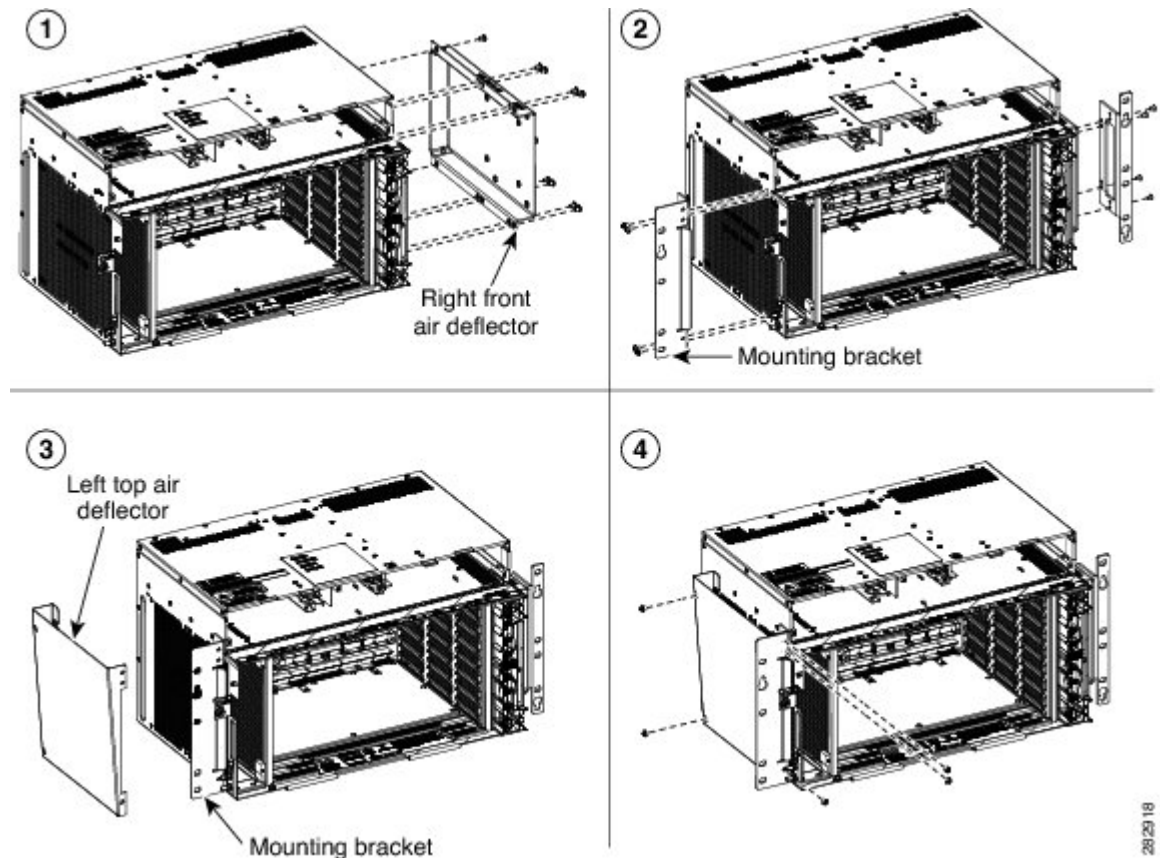


Note Hot and cold aisle airflow management must be planned for the installation.

Procedure

- Step 1** To install the mounting bracket with air deflectors (front-to-top) in the front position, perform Step 3 through Step 11.
- Step 2** To install the mounting bracket with air deflectors (front-to-top) in the middle position, perform Step 12 through Step 23.
- Step 3** Place the right front air deflector flush against the right side of the chassis (see Diagram 1 of [Figure 12: Mounting the Bracket with Air Deflectors \(Front-to-Top\) on the NCS 2006 Shelf for ETSI Rack Configuration- Front Position](#), on page 18).
- Step 4** Align the screw holes on the right front air deflector with the screw holes on right side of the chassis.
- Step 5** Insert the screws and tighten them to a torque value of 11.5 in-lb (1.3 N-m).
- Step 6** Place a mounting bracket flush against the left and right side of the chassis (see Diagram 2 of [Figure 12: Mounting the Bracket with Air Deflectors \(Front-to-Top\) on the NCS 2006 Shelf for ETSI Rack Configuration- Front Position](#), on page 18).
- Step 7** Align the screw holes on the mounting bracket with the screw holes on the side of the chassis.
- Step 8** Insert the screws and tighten them to a torque value of 11.5 in-lb (1.3 N-m).
- Step 9** Place the left top air deflector flush against the chassis as shown in Diagram 3 of [Figure 12: Mounting the Bracket with Air Deflectors \(Front-to-Top\) on the NCS 2006 Shelf for ETSI Rack Configuration- Front Position](#), on page 18.
- Step 10** Align the screw holes with the screw holes of the left top air deflector and the chassis (see Diagram 4 of [Figure 12: Mounting the Bracket with Air Deflectors \(Front-to-Top\) on the NCS 2006 Shelf for ETSI Rack Configuration- Front Position](#), on page 18).
- Step 11** Insert the screws and tighten them to a torque value of 11.5 in-lb (1.3 N-m). See Diagram 4 of [Figure 12: Mounting the Bracket with Air Deflectors \(Front-to-Top\) on the NCS 2006 Shelf for ETSI Rack Configuration- Front Position](#), on page 18.

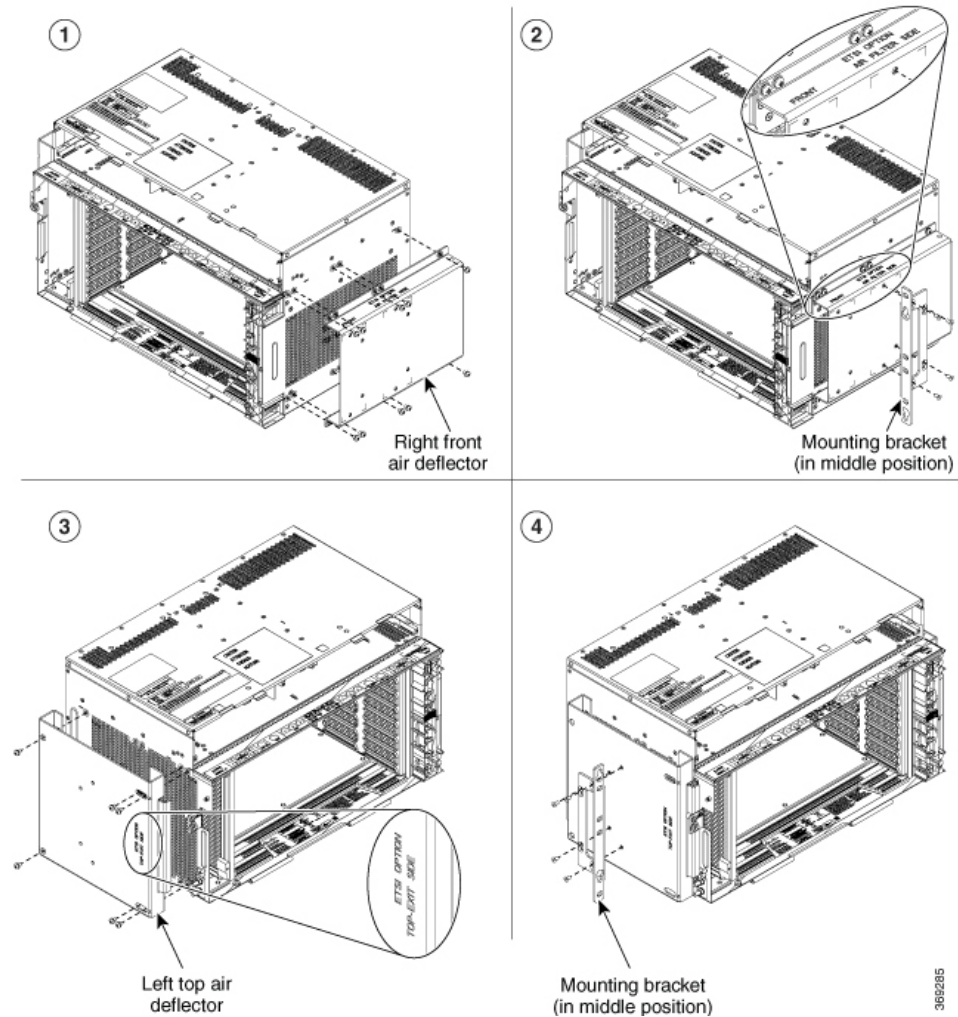
Figure 12: Mounting the Bracket with Air Deflectors (Front-to-Top) on the NCS 2006 Shelf for ETSI Rack Configuration- Front Position



- Step 12** Place the right front air deflector flush against the right side of the chassis (see Diagram 1 of [Figure 13: Mounting the Bracket with Air Deflectors \(Front-to-Top\) on the NCS 2006 M6 Shelf for ETSI Rack Configuration - Middle Position](#) , on page 19).
- Step 13** Align the screw holes on the right front air deflector with the screw holes on the right side of the chassis.
- Step 14** Insert M4 pan-head screws and tighten them to a torque value of 11.5 in-lb (1.3 N-m).
- Step 15** Place the mounting bracket flush in the middle position on the right front air deflector (see Diagram 2 of [Figure 13: Mounting the Bracket with Air Deflectors \(Front-to-Top\) on the NCS 2006 M6 Shelf for ETSI Rack Configuration - Middle Position](#) , on page 19).
- Step 16** Align the screw holes on the mounting bracket with the screw holes on the right front air deflector .
- Step 17** Insert M4 flat-head screws and tighten them to a torque value of 11.5 in-lb (1.3 N-m).
- Step 18** Place the left top air deflector flush against the left side chassis as shown in Diagram 3 of [Figure 13: Mounting the Bracket with Air Deflectors \(Front-to-Top\) on the NCS 2006 M6 Shelf for ETSI Rack Configuration - Middle Position](#) , on page 19.
- Step 19** Align the screw holes on the left top air deflector with the screw holes on the left side of the chassis.
- Step 20** Insert M4 pan-head screws and tighten them to a torque value of 11.5 in-lb (1.3 N-m).
- Step 21** Place the mounting bracket flush in the middle position on the left top air deflector (see Diagram 4 of [Figure 13: Mounting the Bracket with Air Deflectors \(Front-to-Top\) on the NCS 2006 M6 Shelf for ETSI Rack Configuration - Middle Position](#) , on page 19).
- Step 22** Align the screw holes on the mounting bracket with the screw holes on the left top air deflector.

Step 23 Insert M4 flat-head screws and tighten them to a torque value of 11.5 in-lb (1.3 N-m).

Figure 13: Mounting the Bracket with Air Deflectors (Front-to-Top) on the NCS 2006 M6 Shelf for ETSI Rack Configuration - Middle Position



Step 24 Return to your originating procedure. (NTP).

DLP- L81 Mounting the Bracket with Air Deflectors (Front-to-Side) on the NCS 2006 Shelf for ETSI Rack Configuration

Purpose	This task installs the bracket with air deflectors (front-to-side) on the NCS2006 shelf for ETSI rack configuration.
Tools/Equipment	<ul style="list-style-type: none"> • #2 Phillips Dynamometric screwdriver • Medium slot-head screwdriver • Small slot-head screwdriver

Prerequisite Procedures	DLP-L62 Unpacking and Verifying the Shelf DLP-L63 Inspecting the Shelf
Required/As Needed	As needed
Onsite/Remote	Onsite
Security Level	None



Caution Use only the fastening hardware provided with the NCS 2006 to prevent loosening, deterioration, and electromechanical corrosion of the hardware and joined material.



Note It is recommended to maintain a space of one RU between two chassis in a rack for cable management

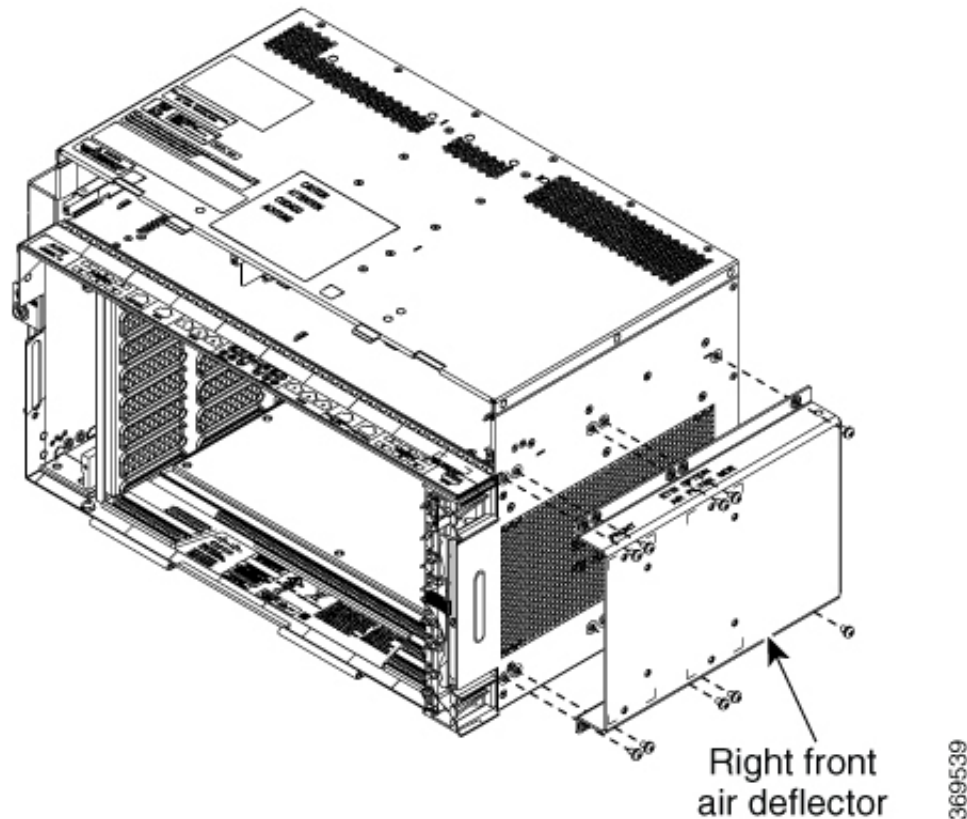


Note Hot and cold aisle airflow management must be planned for the installation.

Procedure

Step 1 Place the right front air deflector flush against the right side of the chassis (see diagram below).

Figure 14: Mounting the Bracket with Air Deflectors (Front-to-Side) on the NCS 2006 Shelf for ETSI Rack Configuration



- Step 2** Align the screw holes on the right front air deflector with the screw holes on the right side of the chassis.
- Step 3** Insert M4 pan-head screws and tighten them to a torque value of 11.5 in-lb (1.3 N-m).
- Step 4** Place the mounting bracket flush in the middle or front position of the right front air deflector (see Diagram 1 of [Figure 15: Mounting the Bracket with Air Deflectors \(Front-to-Side\) on the NCS 2006 Shelf for ETSI Rack Configuration - Middle Position](#), on page 22 or [Figure 16: Mounting the Bracket with Air Deflectors \(Front-to-Side\) on the NCS 2006 Shelf for ETSI Rack Configuration - Front Position](#), on page 22).
- Step 5** Align the screw holes on the mounting bracket with the screw holes on the right front air deflector .
- Step 6** Insert M4 flat-head screws and tighten them to a torque value of 11.5 in-lb (1.3 N-m).
- Step 7** Place the mounting bracket flush in the middle or front position on the left side of the chassis (see Diagram 2 of [Figure 15: Mounting the Bracket with Air Deflectors \(Front-to-Side\) on the NCS 2006 Shelf for ETSI Rack Configuration - Middle Position](#), on page 22 or [Figure 16: Mounting the Bracket with Air Deflectors \(Front-to-Side\) on the NCS 2006 Shelf for ETSI Rack Configuration - Front Position](#), on page 22).
- Step 8** Align the screw holes on the mounting bracket with the screw holes on the left side of the chassis.
- Step 9** Insert M4 pan-head screws and tighten them to a torque value of 11.5 in-lb (1.3 N-m).

Figure 15: Mounting the Bracket with Air Deflectors (Front-to-Side) on the NCS 2006 Shelf for ETSI Rack Configuration - Middle Position

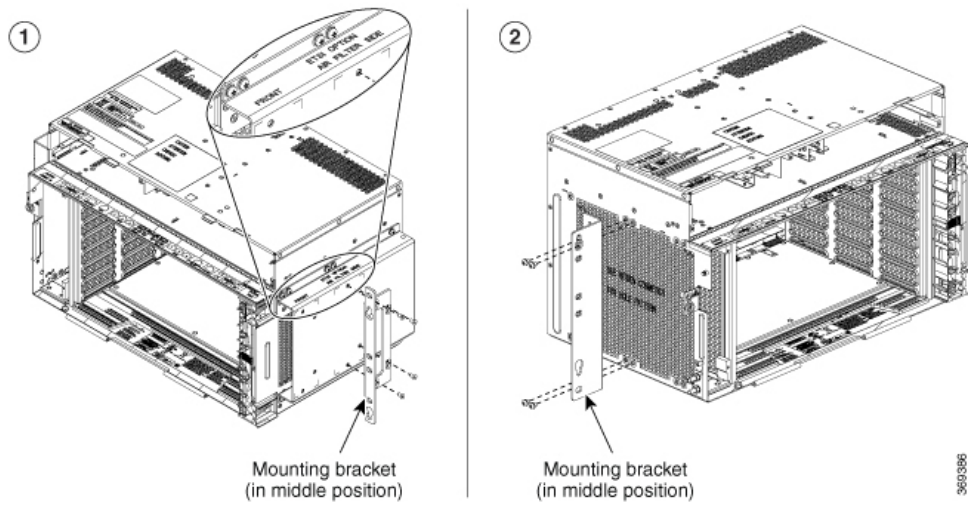
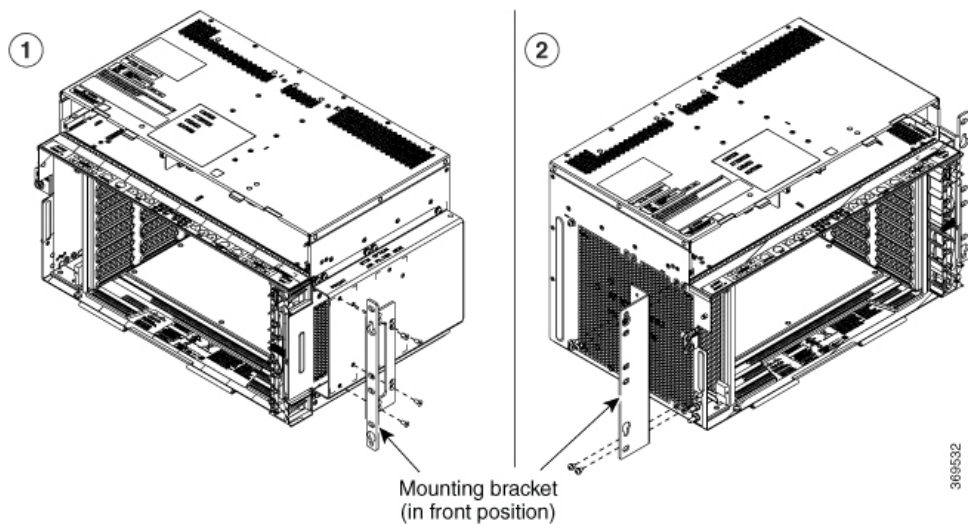


Figure 16: Mounting the Bracket with Air Deflectors (Front-to-Side) on the NCS 2006 Shelf for ETSI Rack Configuration - Front Position



Step 10 Return to your originating procedure (NTP).