



Performance Monitoring

Performance monitoring (PM) parameters are used by service providers to gather, store, and set thresholds, and to report performance data for early detection of problems. In this chapter, PM parameters and concepts are defined for electrical cards, Ethernet cards, optical cards, and dense wavelength division multiplexing (DWDM) cards in the Cisco ONS 15454.



Note

Release 4.7 is DWDM only. It supports all DWDM, transponder (TXP), and muxponder (MXP) cards but not optical, electrical, storage media access, or Ethernet cards. DWDM cards include the OSCM, OSC-CSM, OPT-PRE, OPT-BST, 32MUX-O, 32DMX-O, 32DMX, 4MD-xx.xAD-4B-xx.x, AD-1B-xx.x, AD-4C-xx.x, AD-2C-xx.x, AD-1C-xx.x, and the 32WSS

For information about enabling and viewing PM values, refer to the *Cisco ONS 15454 DWDM Installation and Operations Guide*.

Chapter topics include:

- [4.1 Threshold Performance Monitoring, page 4-2](#)
- [4.2 Intermediate Path Performance Monitoring, page 4-2](#)
- [4.3 Pointer Justification Count Performance Monitoring, page 4-3](#)
- [4.4 Performance Monitoring Parameter Definitions, page 4-4](#)
- [4.5 DS-1 Facility Data Link Performance Monitoring, page 4-11](#)
- [4.6 Performance Monitoring for Electrical Cards, page 4-11](#)
- [4.7 Performance Monitoring for Ethernet Cards, page 4-25](#)
- [4.8 Performance Monitoring for Optical Cards, page 4-34](#)
- [4.9 Performance Monitoring for Transponder and Muxponder Cards, page 4-37](#)
- [4.10 Performance Monitoring for Storage Media Access Cards, page 4-41](#)
- [4.11 Performance Monitoring for DWDM Cards, page 4-43](#)



Note

For additional information regarding PM parameters, refer to Telcordia documents GR-1230-CORE, GR-820-CORE, GR-499-CORE, and GR-253-CORE and the ANSI T1.231 document entitled *Digital Hierarchy - Layer 1 In-Service Digital Transmission Performance Monitoring*.

4.1 Threshold Performance Monitoring

Thresholds are used to set error levels for each PM parameter. You can set individual PM threshold values from the Cisco Transport Controller (CTC) card view Provisioning tab. For procedures on provisioning card thresholds, such as line, path, and SONET thresholds, refer to the *Cisco ONS 15454 DWDM Installation and Operations Guide*.

During the accumulation cycle, if the current value of a performance monitoring parameter reaches or exceeds its corresponding threshold value, a threshold crossing alert (TCA) is generated by the node and displayed by CTC. TCAs provide early detection of performance degradation. When a threshold is crossed, the node continues to count the errors during a given accumulation period. If zero is entered as the threshold value, generation of TCAs is disabled but performance monitoring continues.

Change the threshold if the default value does not satisfy your error monitoring needs. For example, customers with a critical DS-1 installed for 911 calls must guarantee the best quality of service on the line; therefore, they lower all thresholds so that the slightest error raises a TCA.

4.2 Intermediate Path Performance Monitoring

Intermediate path performance monitoring (IPPM) allows transparent monitoring of a constituent channel of an incoming transmission signal by a node that does not terminate that channel. Many large networks only use line terminating equipment (LTE), not path terminating equipment (PTE). [Table 4-1](#) shows ONS 15454 cards that are considered LTE.

Table 4-1 ONS 15454 Line Terminating Equipment

Electrical LTE	
ONS 15454 EC1-12	
ONS 15454 Optical LTE	
OC3 IR 4/STM1 SH 1310	OC3 IR/STM1 SH 1310-8
OC12 IR/STM4 SH1310	OC12 LR/STM4 LH1310
OC12 LR/STM4 LH 1550	OC12 IR/STM4 SH 1310-4
OC48 IR 1310	OC48 LR 1550
OC48 IR/STM16 SH AS 1310	OC48 LR/STM16 LH AS 1550
OC48 ELR/STM16 EH 100 GHz	OC48 ELR 200 GHz
OC192 SR/STM64 IO 1310	OC192 IR/STM64 SH 1550
OC192 LR/STM64 LH 1550	OC192 LR/STM64 LH ITU 15xx.xx
TXP_MR_10G	MXP_2.5G_10G
MXP_MR_2.5G	MXPP_MR_2.5G

ONS 15454 Software R3.0 and higher allows LTE cards to monitor near-end PM data on individual STS payloads by enabling IPPM. After enabling IPPM provisioning on the line card, service providers can monitor large amounts of STS traffic through intermediate nodes, thus making troubleshooting and maintenance activities more efficient.

IPPM occurs only on STS paths that have IPPM enabled, and TCAs are raised only for PM parameters on the IPPM enabled paths. The monitored IPPM parameters are STS CV-P, STS ES-P, STS SES-P, STS UAS-P, and STS FC-P.

**Note**

Far-end IPPM is not supported by all OC-N cards. It is supported by OC3-4 and EC-1 cards. However, SONET path PMs can be monitored by logging into the far-end node directly.

The ONS 15454 performs IPPM by examining the overhead in the monitored path and by reading all of the near-end path PM values in the incoming direction of transmission. The IPPM process allows the path signal to pass bidirectionally through the node completely unaltered.

For detailed information about specific IPPM parameters, locate the card name in the following sections and review the appropriate definition.

4.3 Pointer Justification Count Performance Monitoring

Pointers are used to compensate for frequency and phase variations. Pointer justification counts indicate timing errors on SONET networks. When a network is out of sync, jitter and wander occur on the transported signal. Excessive wander can cause terminating equipment to slip.

Slips cause different effects in service. Voice service has intermittent audible clicks. Compressed voice technology has short transmission errors or dropped calls. Fax machines lose scanned lines or experience dropped calls. Digital video transmission has distorted pictures or frozen frames. Encryption service loses the encryption key causing data to be transmitted again.

Pointers provide a way to align the phase variations in STS and VT payloads. The STS payload pointer is located in the H1 and H2 bytes of the line overhead. Clocking differences are measured by the offset in bytes from the pointer to the first byte of the STS synchronous payload envelope (SPE) called the J1 byte. Clocking differences that exceed the normal range of 0 to 782 can cause data loss.

There are positive (PPJC) and negative (NPJC) pointer justification count parameters. PPJC is a count of path-detected (PPJC-PDet-P) or path-generated (PPJC-PGen-P) positive pointer justifications. NPJC is a count of path-detected (NPJC-PDet-P) or path-generated (NPJC-PGen-P) negative pointer justifications depending on the specific PM name. PJCDIFF is the absolute value of the difference between the total number of detected pointer justification counts and the total number of generated pointer justification counts. PJCS-PDet-P is a count of the one-second intervals containing one or more PPJC-PDet or NPJC-PDet. PJCS-PGen-P is a count of the one-second intervals containing one or more PPJC-PGen or NPJC-PGen.

A consistent pointer justification count indicates clock synchronization problems between nodes. A difference between the counts means the node transmitting the original pointer justification has timing variations with the node detecting and transmitting this count. Positive pointer adjustments occur when the frame rate of the SPE is too slow in relation to the rate of the STS 1.

You must enable PPJC and NPJC performance monitoring parameters for LTE cards. See [Table 4-1 on page 4-2](#) for a list of Cisco ONS 15454 LTE cards. In CTC, the count fields for PPJC and NPJC PMs appear white and blank unless they are enabled on the card view Provisioning tab.

For detailed information about specific pointer justification count PM parameters, locate the card name in the following sections and review the appropriate definition.

4.4 Performance Monitoring Parameter Definitions

Table 4-2 gives definitions for each type of performance monitoring parameter found in this chapter.

Table 4-2 Performance Monitoring Parameters

Parameter	Definition
AISS-P	AIS Seconds Path (AISS-P) is a count of one-second intervals containing one or more alarm indication signal (AIS) defects.
BES	Block Error Seconds
BBE-PM	Path Monitoring Background Block Errors (BBE-PM) indicates the number of background block errors recorded in the optical transport network (OTN) path during the PM time interval.
BBE-SM	Section Monitoring Background Block Errors (BBE-SM) indicates the number of background block errors recorded in the OTN section during the PM time interval.
BBER-PM	Path Monitoring Background Block Errors Ratio (BBER-PM) indicates the background block errors ratio recorded in the OTN path during the PM time interval.
BBER-SM	Path Monitoring Background Block Errors (BBE-PM) indicates the number of background block errors recorded in the OTN path during the PM time interval.
BIEC	Bit Errors Corrected (BIEC) indicated the number of bit errors corrected in the DWDM trunk line during the PM time interval.
CSS	Controlled Slip Seconds (CSS) indicates the count of the seconds when at least one or more controlled slips have occurred.
CSS-P	Controlled Slip Seconds Path (CSS-P) indicates the count of the seconds when at least one or more controlled slips have occurred.
CVCP-P	Code Violation CP-Bit Path (CVCP-P) is a count of CP-bit parity errors occurring in the accumulation period.
CVCP-PFE	Code Violation CP-Bit Path (CVCP-PFE) is a parameter that is counted when the three far-end block error (FEBE) bits in an M-frame are not all collectively set to 1.
CGV	Code Group Violations (CGV) is a count of received code groups that do not contain a start or end delimiter.
CV-L	Line Code Violation (CV-L) indicates the number of coding violations occurring on the line. This parameter is a count of bipolar violations (BPVs) and excessive zeros (EXZs) occurring over the accumulation period.
CV-P	Near-End STS Path Coding Violations (CV-P) is a count of BIP errors detected at the STS path layer (that is, using the B3 byte). Up to eight BIP errors can be detected per frame; each error increments the current CV-P second register.
CV-PFE	Far-End STS Path Coding Violations (CV-PFE) is a count of BIP errors detected at the STS path layer (that is, using the B3 byte). Up to eight BIP errors can be detected per frame; each error increments the current CV-PFE second register.

Table 4-2 Performance Monitoring Parameters (continued)

Parameter	Definition
CVP-P	Code Violation Path (CVP-P) is a code violation parameter for M23 applications. CVP-P is a count of P-bit parity errors occurring in the accumulation period.
CV-S	Section Coding Violation (CV-S) is a count of bit interleaved parity (BIP) errors detected at the section layer (that is, using the B1 byte in the incoming SONET signal). Up to eight section BIP errors can be detected per STS-N frame; each error increments the current CV-S second register.
CV-V	Code Violation VT Layer (CV-V) is a count of the BIP errors detected at the VT path layer. Up to two BIP errors can be detected per VT superframe, with each error incrementing the current CV-V second register.
DCG	Date Code Groups (DCG) is a count of received data code groups that do not contain ordered sets.
ESA-P	Count of 1-second intervals with exactly one CRC-6 error and no AIS or severely errored frame (SEF) defects.
ESB-P	Count of 1-second intervals with between 2 and 319 CRC-6 errors and no AIS or SEF.
ESCP-P	Errored Second CP-Bit Path (ESCP-P) is a count of seconds containing one or more CP-bit parity errors, one or more SEF defects, or one or more AIS defects. ESCP-P is defined for the C-bit parity application.
ESCP-PFE	Errored Second CP-bit Path (ESCP-PFE) is a count of one-second intervals containing one or more M-frames with the three FEBE bits not all collectively set to 1 or one or more far-end SEF/AIS defects.
ES-L	Line Errored Seconds (ES-L) is a count of the seconds containing one or more anomalies (BPV + EXZ) and/or defects (that is, loss of signal) on the line.
ES-P	Near-End STS Path Errored Seconds (ES-P) is a count of the seconds when at least one STS path BIP error was detected. An AIS-P defect (a lower-layer, traffic-related, near-end defect) or an LOP-P defect can also cause an ES-P.
ES-PFE	Far-End STS Path Errored Seconds (ES-PFE) is a count of the seconds when at least one STS path BIP error was detected. An AIS-P defect (a lower-layer, traffic-related, far-end defect) or an LOP-P defect can also cause an STS ES-PFE.
ES-PM	Path monitoring errored seconds (ES-PM) indicates the errored seconds recorded in the OTN path during the PM time interval.
ESP-P	Errored Second Path (ESP-P) is a count of seconds containing one or more P-bit parity errors, one or more SEF defects, or one or more AIS defects.
ESR-PM	Path Monitoring Errored Seconds Ratio (ESR-PM) indicates the errored seconds ratio recorded in the OTN path during the PM time interval.
ESR-SM	Section Monitoring Errored Seconds Ratio (ESR-SM) indicates the errored seconds ratio recorded in the OTN section during the PM time interval.

Table 4-2 Performance Monitoring Parameters (continued)

Parameter	Definition
ES-S	Section Errored Seconds (ES-S) is a count of the number of seconds when at least one section-layer BIP error was detected or an SEF or LOS defect was present.
ES-SM	Section Monitoring Errored Seconds (ES-SM) indicates the errored seconds recorded in the OTN section during the PM time interval.
ES-V	Errored Seconds VT Layer (ES-V) is a count of the seconds when at least one VT Path BIP error was detected. An AIS-V defect (a lower-layer, traffic-related, near-end defect) or an LOP-V defect can also cause an ES-V.
FC-L	Line Failure Count (FC-L) is a count of the number of near-end line failure events. A failure event begins when an AIS-L failure is declared or when a lower-layer, traffic-related, near-end failure is declared. This failure event ends when the failure is cleared. A failure event that begins in one period and ends in another period is counted only in the period where it begins.
FC-P	Near-End STS Path Failure Counts (FC-P) is a count of the number of near-end STS path failure events. A failure event begins when an AIS-P failure, an LOP-P failure, a UNEQ-P failure, or a TIM-P failure is declared. A failure event also begins if the STS PTE that is monitoring the path supports ERDI-P for that path. The failure event ends when these failures are cleared.
FC-PFE	Far-End STS Path Failure Counts (FC-PFE) is a count of the number of near-end STS path failure events. A failure event begins when an AIS-P failure, an LOP-P failure, a UNEQ-P failure, or a TIM-P failure is declared. A failure event also begins if the STS PTE that is monitoring the path supports ERDI-P for that path. The failure event ends when these failures are cleared.
FC-PM	Path Monitoring Failure Counts (FC-PM) indicates the failure counts recorded in the OTN path during the PM time interval.
FC-SM	Section Monitoring Failure Counts (FC-SM) indicates the failure counts recorded in the OTN section during the PM time interval.
IOS	Idle Ordered Sets (IOS) is a count of received packets containing idle ordered sets.
IPC	Number of invalid packets
LBCL-MIN	Laser Bias Current Line—Minimum (LBCL-MIN) is the minimum percentage of laser bias current.
LBCL-AVG	Laser Bias Current Line—Average (LBCL-AVG) is the average percentage of laser bias current.
LBCL-MAX	Laser Bias Current Line—Maximum (LBCL-MAX) is the maximum percentage of laser bias current.
LOFC	Loss of Frame Count
LOSS-L	Line Loss of Signal (LOSS-L) is a count of one-second intervals containing one or more LOS defects.

Table 4-2 Performance Monitoring Parameters (continued)

Parameter	Definition
NIOS	Non-Idle Ordered Sets (NIOS) is a count of received packets containing non-idle ordered sets.
NPJC-PDET	Negative Pointer Justification Count, STS Path Detected (NPJC-Pdet-P) is a count of the negative pointer justifications detected on a particular path in an incoming SONET signal.
NPJC-PGEN	Negative Pointer Justification Count, STS Path Generated (NPJC-Pgen-P) is a count of the negative pointer justifications generated for a particular path to reconcile the frequency of the SPE with the local clock.
NPJC-SEC	
OPR	Optical Power Received (OPR) is the measure of average optical power received as a percentage of the nominal OPT.
OPR-AVG	Average receive optical power (dBm).
OPR-MAX	Maximum receive optical power (dBm).
OPR-MIN	Minimum receive optical power (dBm).
OPT	Optical Power Transmitted (OPT) is the measure of average optical power transmitted as a percentage of the nominal OPT.
OPT-AVG	Average transmit optical power (dBm).
OPT-MAX	Maximum transmit optical power (dBm).
OPT-MIN	Minimum transmit optical power (dBm).
OPWR-AVG	Optical Power—Average (OPWR-AVG) is the measure of average optical power on the unidirectional port.
OPWR-MAX	Optical Power—Maximum (OPWR-MAX) is the measure of maximum value of optical power on the unidirectional port.
OPWR-MIN	Optical Power—Minimum (OPWR-MIN) is the measure of minimum value of optical power on the unidirectional port.
PJC-DIFF	Pointer Justification Count Difference, STS Path (PJCDIFF-P) is the absolute value of the difference between the total number of detected pointer justification counts and the total number of generated pointer justification counts. That is, PJCDiff-P is equal to (PPJC-PGen – NPJC-PGen) – (PPJC-PDet – NPJC-PDet).
PJNEG	Pointer Justification Negative
PJPOS	Pointer Justification Positive
PNPJC-SEC	
PPJC-PDET	Positive Pointer Justification Count, STS Path Detected (PPJC-Pdet-P) is a count of the positive pointer justifications detected on a particular path in an incoming SONET signal.
PPJC-PGEN	Positive Pointer Justification Count, STS Path Generated (PPJC-Pgen-P) is a count of the positive pointer justifications generated for a particular path to reconcile the frequency of the SPE with the local clock.
PPJC-SEC	

Table 4-2 Performance Monitoring Parameters (continued)

Parameter	Definition
PSC	In a 1 + 1 protection scheme for a working card, Protection Switching Count (PSC) is a count of the number of times service switches from a working card to a protection card plus the number of times service switches back to the working card. For a protection card, PSC is a count of the number of times service switches to a working card from a protection card plus the number of times service switches back to the protection card. The PSC PM is only applicable if revertive line-level protection switching is used.
PSC-R	In a four-fiber BLSR, Protection Switching Count-Ring (PSC-R) is a count of the number of times service switches from a working line to a protection line plus the number of times it switches back to a working line. A count is only incremented if ring switching is used.
PSC-S	In a four-fiber BLSR, Protection Switching Count-Span (PSC-S) is a count of the number of times service switches from a working line to a protection line plus the number of times it switches back to the working line. A count is only incremented if span switching is used.
PSC-W	For a working line in a two-fiber BLSR, Protection Switching Count-Working (PSC-W) is a count of the number of times traffic switches away from the working capacity in the failed line and back to the working capacity after the failure is cleared. PSC-W increments on the failed working line and PSC increments on the active protect line. For a working line in a four-fiber BLSR, PSC-W is a count of the number of times service switches from a working line to a protection line plus the number of times it switches back to the working line. PSC-W increments on the failed line and PSC-R or PSC-S increments on the active protect line.
PSD	Protection Switching Duration (PSD) applies to the length of time, in seconds, that service is carried on another line. For a working line, PSD is a count of the number of seconds that service was carried on the protection line. For the protection line, PSD is a count of the seconds that the line was used to carry service. The PSD PM is only applicable if revertive line-level protection switching is used.
PSD-R	In a four-fiber BLSR, Protection Switching Duration-Ring (PSD-R) is a count of the seconds that the protection line was used to carry service. A count is only incremented if ring switching is used.
PSD-S	In a four-fiber BLSR, Protection Switching Duration-Span (PSD-S) is a count of the seconds that the protection line was used to carry service. A count is only incremented if span switching is used.
SASCP-P	SEF/AIS Seconds CP-Bit Path (SASCP-P) is a count of one-second intervals containing one or more SEFs or one or more AIS defects on the path.
SAS-P	SEF/AIS Seconds (SAS-P) is a count of one-second intervals containing one or more SEFs or one or more AIS defects on the path.

Table 4-2 Performance Monitoring Parameters (continued)

Parameter	Definition
SASP-P	SEF/AIS Seconds Path (SASP-P) is a count of one-second intervals containing one or more SEFs or one or more AIS defects on the path.
SESCP-P	Severely Errored Seconds CP-Bit Path (SESCP-P) is a count of seconds containing more than 44 CP-bit parity errors, one or more SEF defects, or one or more AIS defects.
SEFS	Severely Errored Framing Seconds (SEFS-S) is a count of the seconds when an SEF defect was present. An SEF defect is expected to be present during most seconds when an LOS or loss of frame (LOF) defect is present. However, there can be situations when the SEFS-S parameter is only incremented based on the presence of the SEF defect.
SESCP-P	Severely Errored Seconds CP-Bit Path (SESCP-P) is a count of seconds containing more than 44 CP-bit parity errors, one or more SEF defects, or one or more AIS defects.
SESCP-PFE	Severely Errored Second CP-Bit Path (SESCP-PFE) is a count of one-second intervals containing one or more 44 M-frames with the three FEBE bits not all collectively set to 1 or one or more far-end SEF/AIS defects.
SES-L	Line Severely Errored Seconds (SES-L) is a count of the seconds containing more than a particular quantity of anomalies ($BPV + EXZ \geq 44$) and/or defects on the line.
SES-P	Near-End STS Path Severely Errored Seconds (SES-P) is a count of the seconds when K (2400) or more STS path BIP errors were detected. An AIS-P defect (a lower-layer, traffic-related, near-end defect) or an LOP-P defect can also cause an SES-P.
SES-PFE	Far-End STS Path Severely Errored Seconds (SES-PFE) is a count of the seconds when K (2400) or more STS path BIP errors were detected. An AIS-P defect (a lower-layer, traffic-related, far-end defect) or an LOP-P defect can also cause an SES-PFE.
SES-PM	Path Monitoring Severely Errored Seconds (SES-PM) indicates the severely errored seconds recorded in the OTN path during the PM time interval.
SESP-P	Severely Errored Seconds Path (SESP-P) is a count of seconds containing more than 44 P-bit parity violations, one or more SEF defects, or one or more AIS defects.
SES-S	Section Severely Errored Seconds (SES-S) is a count of the seconds when K (see Telcordia GR-253 for value) or more section-layer BIP errors were detected or an SEF or LOS defect was present.
SES-SM	Section Monitoring Severely Errored Seconds (SES-SM) indicates the severely errored seconds recorded in the OTN section during the PM time interval.
SESR-PM	Path Monitoring Severely Errored Seconds Ratio (SESR-PM) indicates the severely errored seconds ratio recorded in the OTN path during the PM time interval.

Table 4-2 Performance Monitoring Parameters (continued)

Parameter	Definition
SESR-SM	Section Monitoring Severely Errored Seconds Ratio (SESR-SM) indicates the severely errored seconds ratio recorded in the OTN section during the PM time interval.
SES-V	Severely Errored Seconds VT Layer (SES-V) is a count of seconds when K (600) or more VT Path BIP errors were detected. An AIS-V defect (or a lower-layer, traffic-related, near-end defect) or an LOP-V defect can also cause SES-V.
UAS-L	Line Unavailable Seconds (UAS-L) is a count of the seconds when the line is unavailable. A line becomes unavailable when ten consecutive seconds occur that qualify as SES-Ls, and it continues to be unavailable until ten consecutive seconds occur that do not qualify as SES-Ls.
UASCP-P	Unavailable Seconds CP-Bit Path (UASCP-P) is a count of one-second intervals when the DS-3 path is unavailable. A DS-3 path becomes unavailable when ten consecutive SESCO-Ps occur. The ten SESCO-Ps are included in unavailable time. After the DS-3 path becomes unavailable, it becomes available again when ten consecutive seconds with no SESCO-Ps occur. The ten seconds with no SESCO-Ps are excluded from unavailable time.
UASCP-PFE	Unavailable Second CP-Bit Path (UASCP-PFE) is a count of one-second intervals when the DS-3 path becomes unavailable. A DS-3 path becomes unavailable when ten consecutive far-end CP-bit SESs occur. The ten CP-bit SESs are included in unavailable time. After the DS-3 path becomes unavailable, it becomes available again when ten consecutive seconds occur with no CP-bit SESs. The ten seconds with no CP-bit SESs are excluded from unavailable time.
UAS-P	Near-End STS Path Unavailable Seconds (UAS-P) is a count of the seconds when the STS path was unavailable. An STS path becomes unavailable when ten consecutive seconds occur that qualify as SES-Ps, and continues to be unavailable until ten consecutive seconds occur that do not qualify as SES-Ps.
UAS-PFE	Far-End STS Path Unavailable Seconds (UAS-PFE) is a count of the seconds when the STS path was unavailable. An STS path becomes unavailable when ten consecutive seconds occur that qualify as SES-PFEs, and continues to be unavailable until ten consecutive seconds occur that do not qualify as SES-PFEs.
UAS-PM	Path Monitoring Unavailable Seconds (UAS-PM) indicates the unavailable seconds recorded in the OTN path during the PM time interval.
UASP-P	Unavailable Seconds Path (UASP-P) is a count of one-second intervals when the DS-3 path is unavailable. A DS-3 path becomes unavailable when ten consecutive SESP-Ps occur. The ten SESP-Ps are included in unavailable time. After the DS-3 path becomes unavailable, it becomes available again when ten consecutive seconds with no SESP-Ps occur. The ten seconds with no SESP-Ps are excluded from unavailable time.

Table 4-2 Performance Monitoring Parameters (continued)

Parameter	Definition
UAS-SM	Section Monitoring Unavailable Seconds (UAS-SM) indicates the unavailable seconds recorded in the OTN section during the PM time interval.
UAS-V	Unavailable Seconds VT Layer (UAS-V) is a count of the seconds when the VT path was unavailable. A VT path becomes unavailable when ten consecutive seconds occur that qualify as SES-Vs, and it continues to be unavailable until ten consecutive seconds occur that do not qualify as SES-Vs.
UNC-WORDS	The number of uncorrectable words detected in the DWDM trunk line during the PM time interval.
VPC	Number of valid packets

4.5 DS-1 Facility Data Link Performance Monitoring

Facility Data Link (FDL) performance monitoring enables an ONS 15454 DS1N-14 card to calculate and report DS-1 error rate performance measured at both the near-end and far-end of the FDL. The far-end information is reported as received on the FDL in a performance report message (PRM) from an intelligent channel service unit (CSU).

To monitor DS-1 FDL PM values, the DS-1 must be set to use Extended Superframe (ESF) format and the FDL must be connected to an intelligent CSU. For procedures on provisioning ESF on the DS1N-14 card, refer to the *Cisco ONS 15454 Procedure Guide*.

The monitored DS-1 FDL PM parameters are CV-PFE, ES-PFE, ESA-PFE, ESB-PFE, SES-PFE, SEFS-PFE, CSS-PFE, UAS-PFE, FC-PFE, and ES-LFE. For detailed information about specific DS-1 FDL PM parameters, locate the DS1N-14 card name in the following sections and review the appropriate definition.

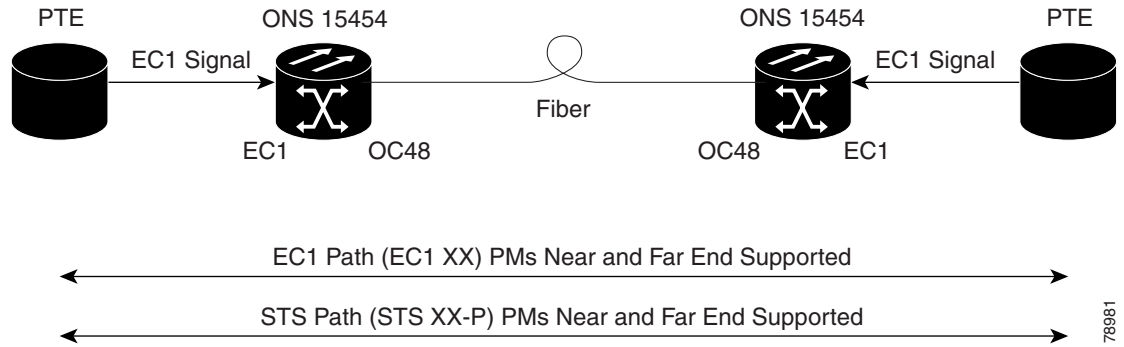
4.6 Performance Monitoring for Electrical Cards

The following sections define performance monitoring parameters for the EC1-12, DS1-14, DS1N-14, DS3-12, DS3-12E, DS3N-12, DS3N-12E, DS3XM-6, DS3XM-12, and DS3/EC1-48 cards.

4.6.1 EC1-12 Card Performance Monitoring Parameters

[Figure 4-1](#) shows signal types that support near-end and far-end PMs. [Figure 4-2](#) shows where overhead bytes detected on the application specific integrated circuits (ASICs) produce performance monitoring parameters for the EC1-12 card.

Figure 4-1 Monitored Signal Types for the EC1-12 Card



Note The XX in Figure 4-1 represents all PMs listed in Table 4-3 with the given prefix and/or suffix.

Figure 4-2 PM Read Points on the EC1-12 Card

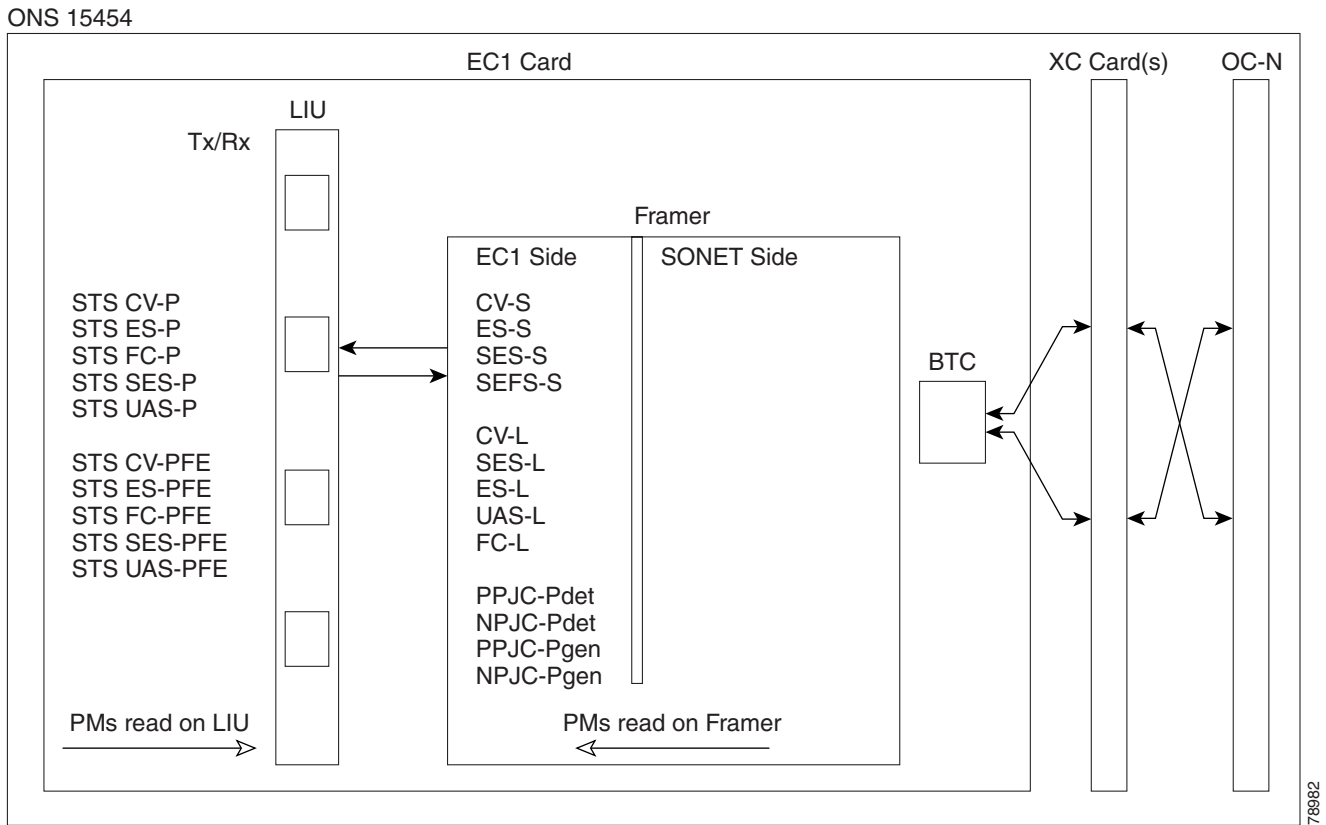


Table 4-3 lists the PM parameters for the EC1-12 cards.

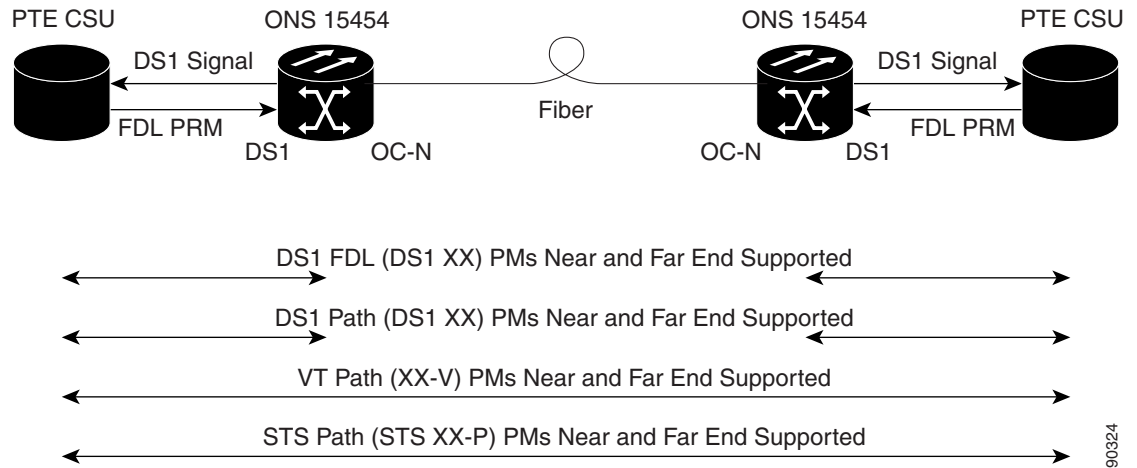
Table 4-3 EC1 Card PMs

Section (NE)	Line (NE)	STS Path (NE)	Line (FE)	STS Path (FE)
CV-S	CV-L	CV-P	CV-LFE	CV-PFE
ES-S	ES-L	ES-P	ES-LFE	ES-PFE
SES-S	SES-L	SES-P	SES-LFE	SES-PFE
SEFS-	UAS-L	UAS-P	UAS-LFE	UAS-PFE
	FC-L	FC-P	FC-LFE	FC-PFE
		PPJC-PDET		
		NPJC-PDET		
		PPJC-PGEN		
		NPJC-PGEN		
		PNPJC-SEC		
		NPJC-SEC		
		PJC-DIFF		

4.6.2 DS1-14 and DS1N-14 Card Performance Monitoring Parameters

Figure 4-3 shows the signal types that support near-end and far-end PMs.

Figure 4-3 Monitored Signal Types for the DS1-14 and DS1N-14 Cards



Note

The XX in Figure 4-3 represents all PMs listed in Table 4-4 with the given prefix and/or suffix.

Figure 4-4 shows where overhead bytes detected on the ASICs produce performance monitoring parameters for the DS1-14 and DS1N-14 cards.

Figure 4-4 PM Read Points on the DS1-14 and DS1N-14 Cards

ONS 15454

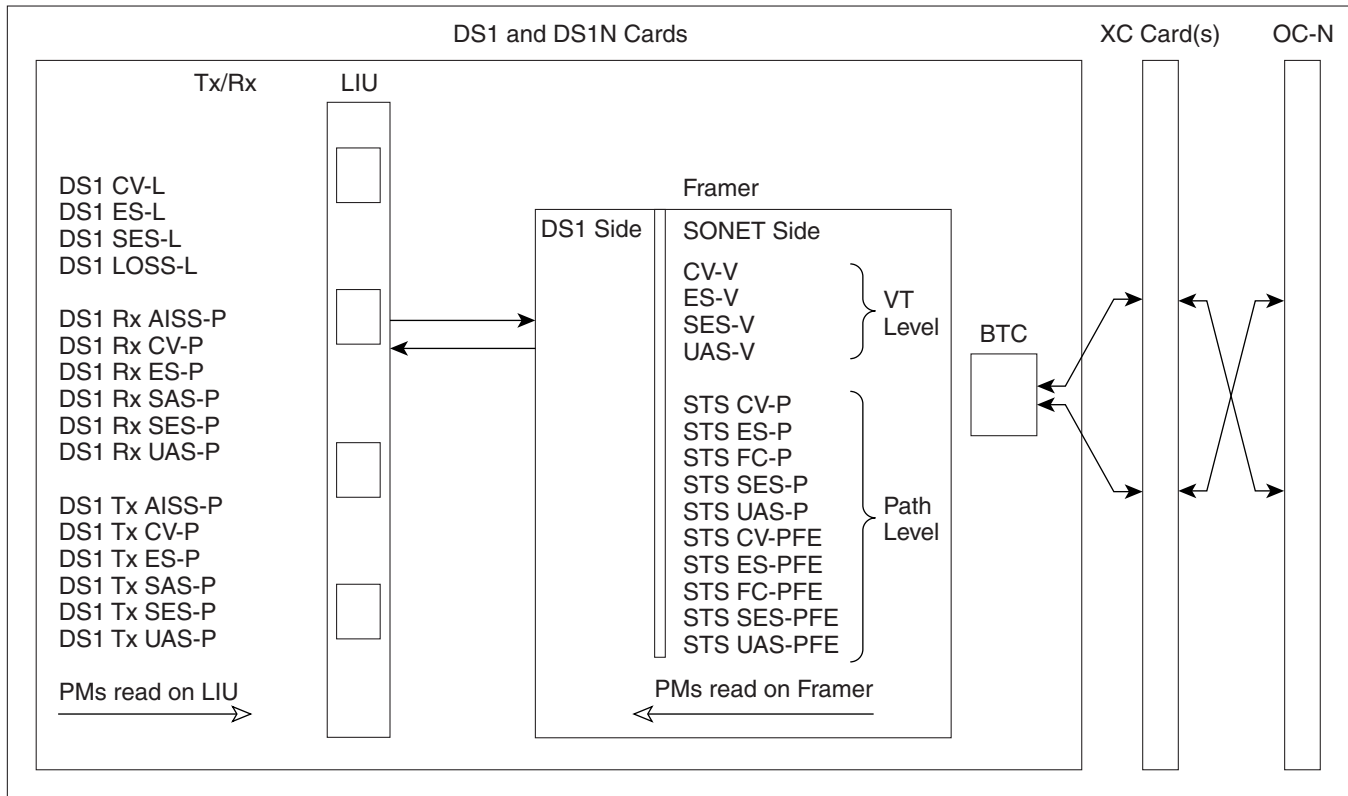


Table 4-4 describes the PM parameters for the DS1-14 and DS1N-14 cards.

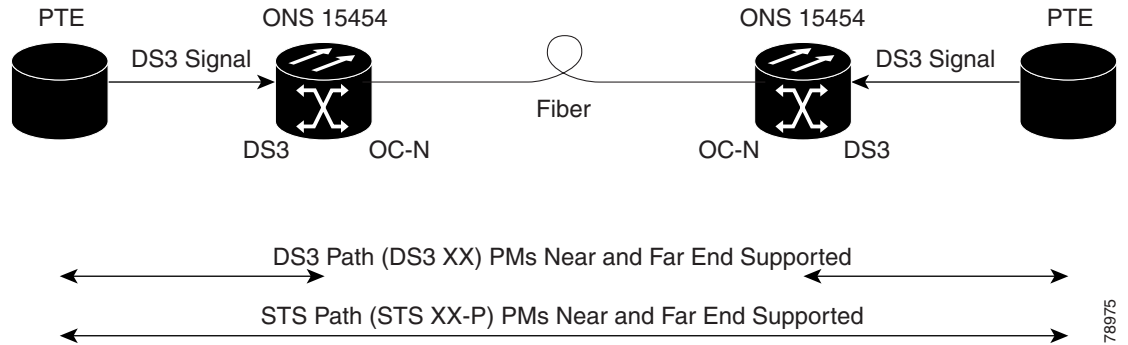
Table 4-4 DS1-14 and DS1N-14 Card PMs

Line (NE)	Line (FE)	Rx Path (NE)	Tx Path (NE)	VT Path (NE)	STS Path (NE)	Rx Path (FE)	V (FE)	STS Path (FE)
CV-L	CV-LFE	AISS-P	AISS-P	CV-V	CV-P	ES-PFE	CV-VFE	CV-P
ES-L	ES-LFE	CV-P	CV-P	ES-V	ES-P	ESA-PFE	ES-VFE	ES-P
SES-L		ES-P	ES-P	SES-V	SES-P	ESB-PFE	SES-VFE	SES-P
LOSS-L		SAS-P	SAS-P	UAS-V	UAS-P	CV-PFE	UAS-VFE	UAS-P
		SES-P	SES-P		FC-P	CSS-PFE		FC-P
		UAS-P	UAS-P			SEFS-PFE		
						SES-PFE		
						UAS-PFE		

4.6.3 DS3-12 and DS3N-12 Card Performance Monitoring Parameters

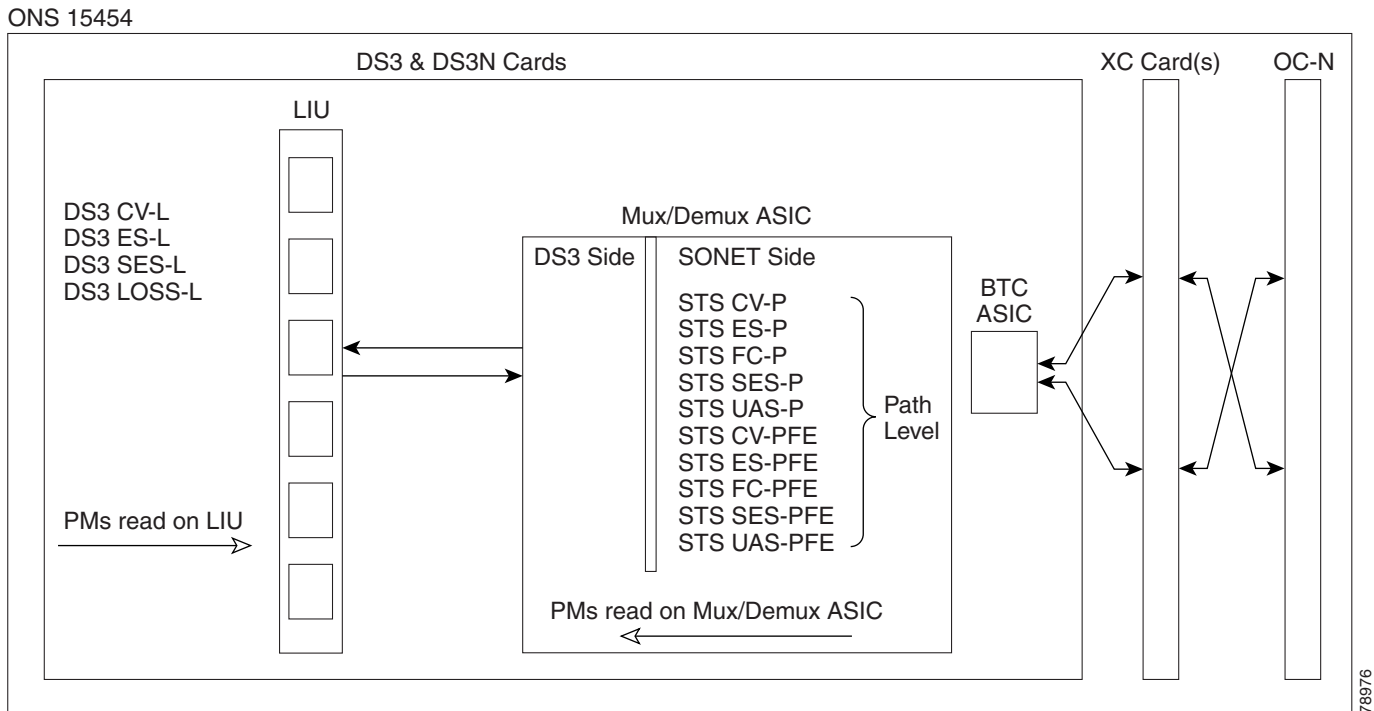
Figure 4-5 shows the signal types that support near-end and far-end PMs. Figure 4-6 shows where overhead bytes detected on the ASICs produce performance monitoring parameters for the DS3-12 and DS3N-12 cards.

Figure 4-5 Monitored Signal Types for the DS3-12 and DS3N-12 Cards



Note The XX in Figure 4-5 represents all PMs listed in Table 4-5 with the given prefix and/or suffix.

Figure 4-6 PM Read Points on the DS3-12 and DS3N-12 Cards



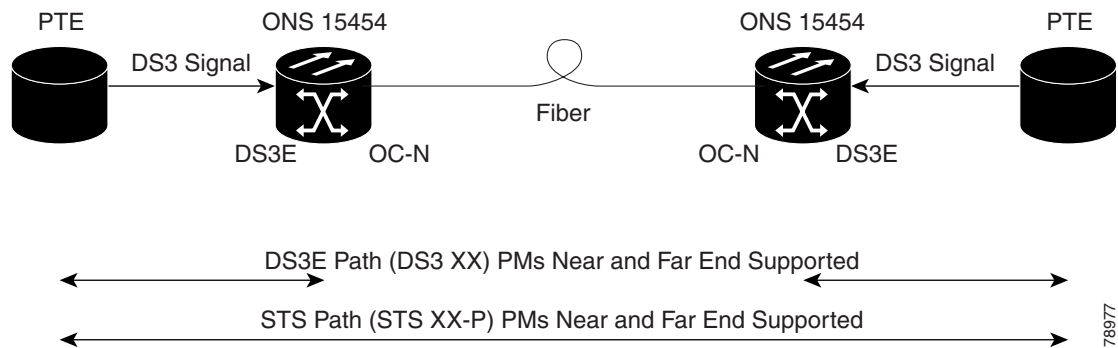
The PM parameters for the DS3-12 and DS3N-12 cards are described in Table 4-5.

Table 4-5 DS3-12 and DS3N-12 Card PMs

Line (NE)	STS Path (NE)	STS Path (FE)
CV-L	CV-P	CV-PFE
ES-OL	ES-P	ES-PFE
SES-L	SES-P	SES-PFE
LOSS-L	UAS-P	UAS-PFE
	FC-P	FC-PFE

4.6.4 DS3-12E and DS3N-12E Card Performance Monitoring Parameters

Figure 4-7 shows the signal types that support near-end and far-end PMs.

Figure 4-7 Monitored Signal Types for the DS3-12E and DS3N-12E Cards**Note**

The XX in Figure 4-7 represents all PMs listed in Table 4-6 with the given prefix and/or suffix.

Figure 4-8 shows where overhead bytes detected on the ASICs produce performance monitoring parameters for the DS3-12E and DS3N-12E cards.

Figure 4-8 PM Read Points on the DS3-12E and DS3N-12E Cards

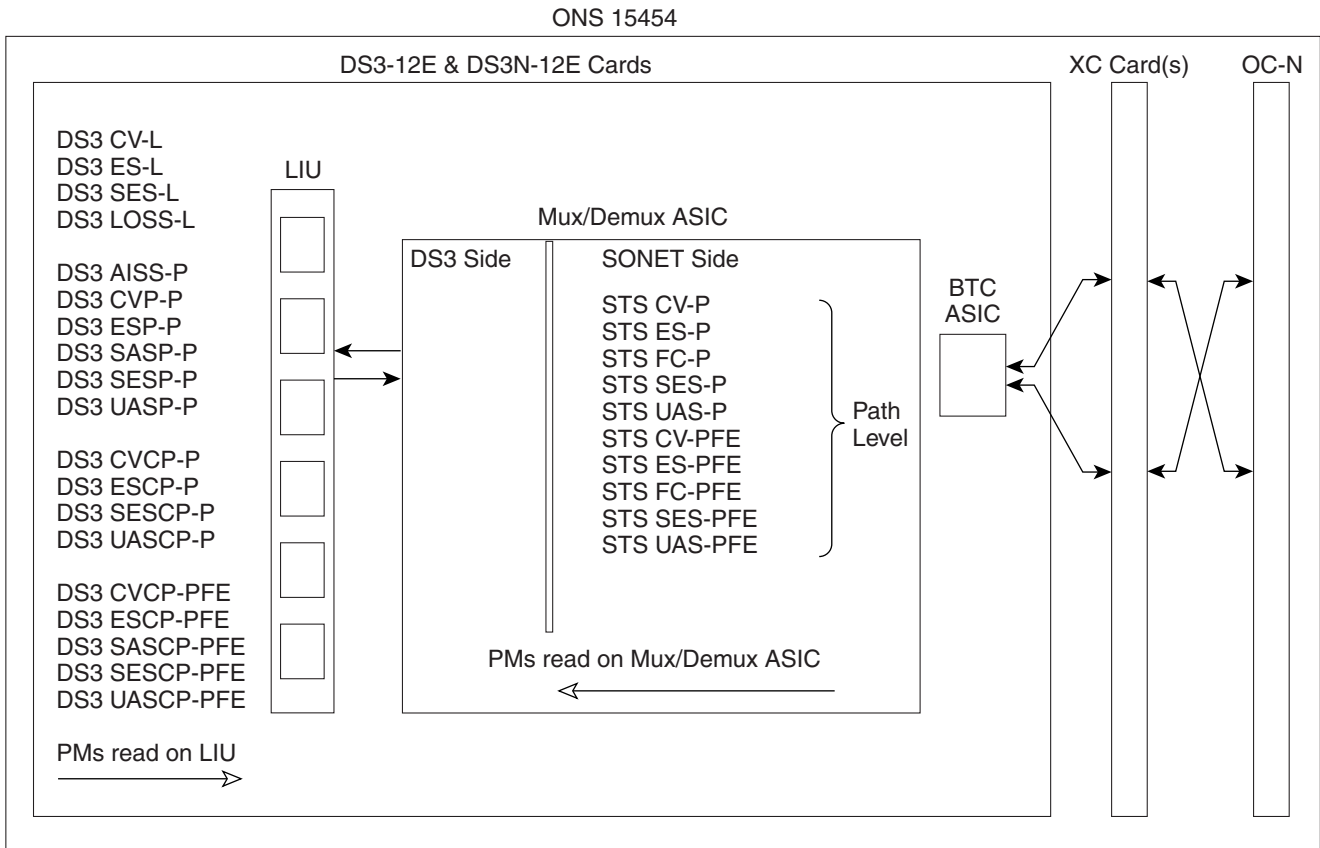


Table 4-6 describes the PM parameters for the DS3-12E and DS3N-12E cards.

Table 4-6 DS3-12E and DS3N-12E Card PMs

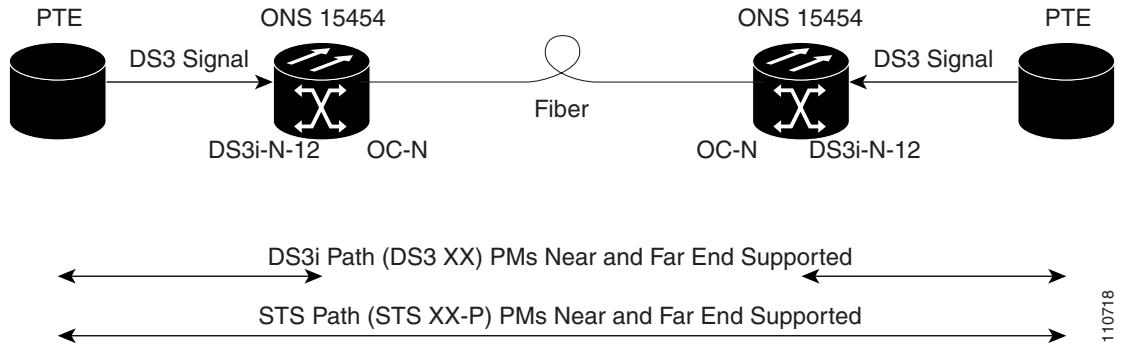
Line (NE)	Path (NE)	STS Path (NE)	Path (FE) ¹	STS Path (FE)
CV-L	AISS-P	CV-P	CVCP-PFE	CV-PFE
ES-L	CV-P	ES-P	ESCP-PFE	ES-PFE
SES-L	ES-P	SES-P	SASCP-PFE	SES-PFE
LOSS-L	SAS-P ²	UAS-P	SESCP-PFE	UAS-PFE
	SES-P	FC-P	UASCP-PFE	FC-PFE
	UAS-P			
	CVCP-P			
	ESCP-P			
	SESCP-P			
	UASCP-P			

1. The C-bit PMs (PMs that end in “CPP”) are applicable only if the line format is C-bit.
2. DS3(N)-3E cards support SAS-P only on the receive (Rx) path.

4.6.5 DS3i-N-12 Card Performance Monitoring Parameters

Figure 4-9 shows the signal types that support near-end and far-end PMs.

Figure 4-9 Monitored Signal Types for the DS3i-N-12 Cards



Note The XX in Figure 4-9 represents all PMs listed in Table 4-7 with the given prefix and/or suffix.

Figure 4-10 shows where overhead bytes detected on the ASICs produce performance monitoring parameters for the DS3i-N-12 cards.

Figure 4-10 PM Read Points on the DS3i-N-12 Cards

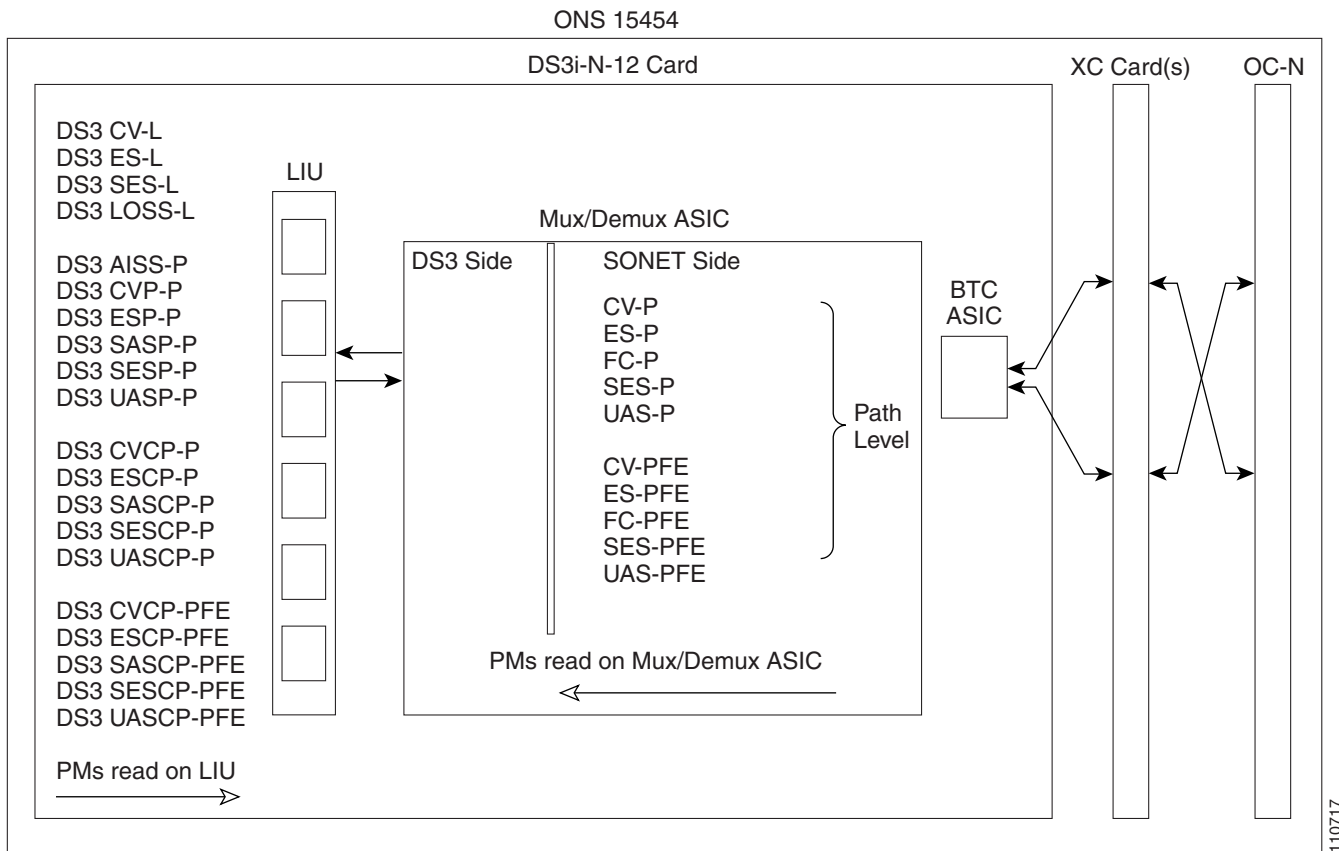


Table 4-7 describes the PM parameters for the DS3-12E and DS3N-12E cards.

Table 4-7 DS3i-N-12 Card PMs

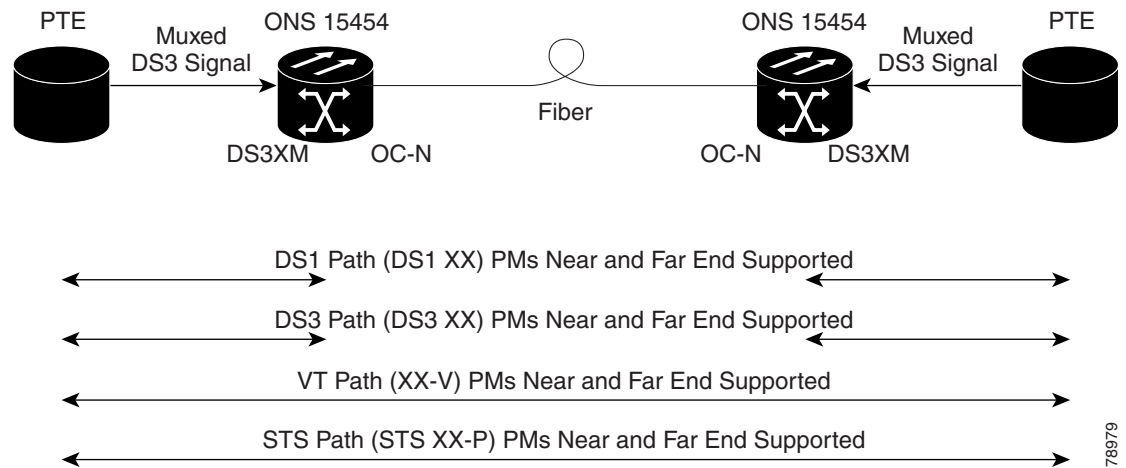
Line (NE)	Path (NE)	STS Path (NE)	Path (FE) ¹	STS Path (FE)
CV-L	AISS-P	CV-P	CVCP-PFE	CV-PFE
ES-L	CVP-P	ES-P	ESCP-PFE	ES-PFE
SES-L	ESP-P	SES-P	SASCP-PFE	SES-PFE
LOSS-L	SASP-P ²	UAS-P	SESCP-PFE	UAS-PFE
	SESP-P	FC-P	UASCP-PFE	FC-PFE
	UASP-P			
	CVCP-P			
	ESCP-P			
	SASP-P			
	SESCP-P			
	UASCP-P			

1. The C-bit PMs (PMs that end in “CPP”) are applicable only if line format is C-bit.
2. DS3i-N-12 cards support SAS-P only on the Rx path.

4.6.6 DS3XM-6 Card Performance Monitoring Parameters

Figure 4-11 shows the signal types that support near-end and far-end PMs.

Figure 4-11 Monitored Signal Types for the DS3XM-6 Card



Note

The XX in Figure 4-11 represents all PMs listed in Table 4-8 with the given prefix and/or suffix.

Figure 4-12 shows where the overhead bytes detected on the ASICs produce performance monitoring parameters for the DS3XM-6 card.

78979

Figure 4-12 PM Read Points on the DS3XM-6 Card

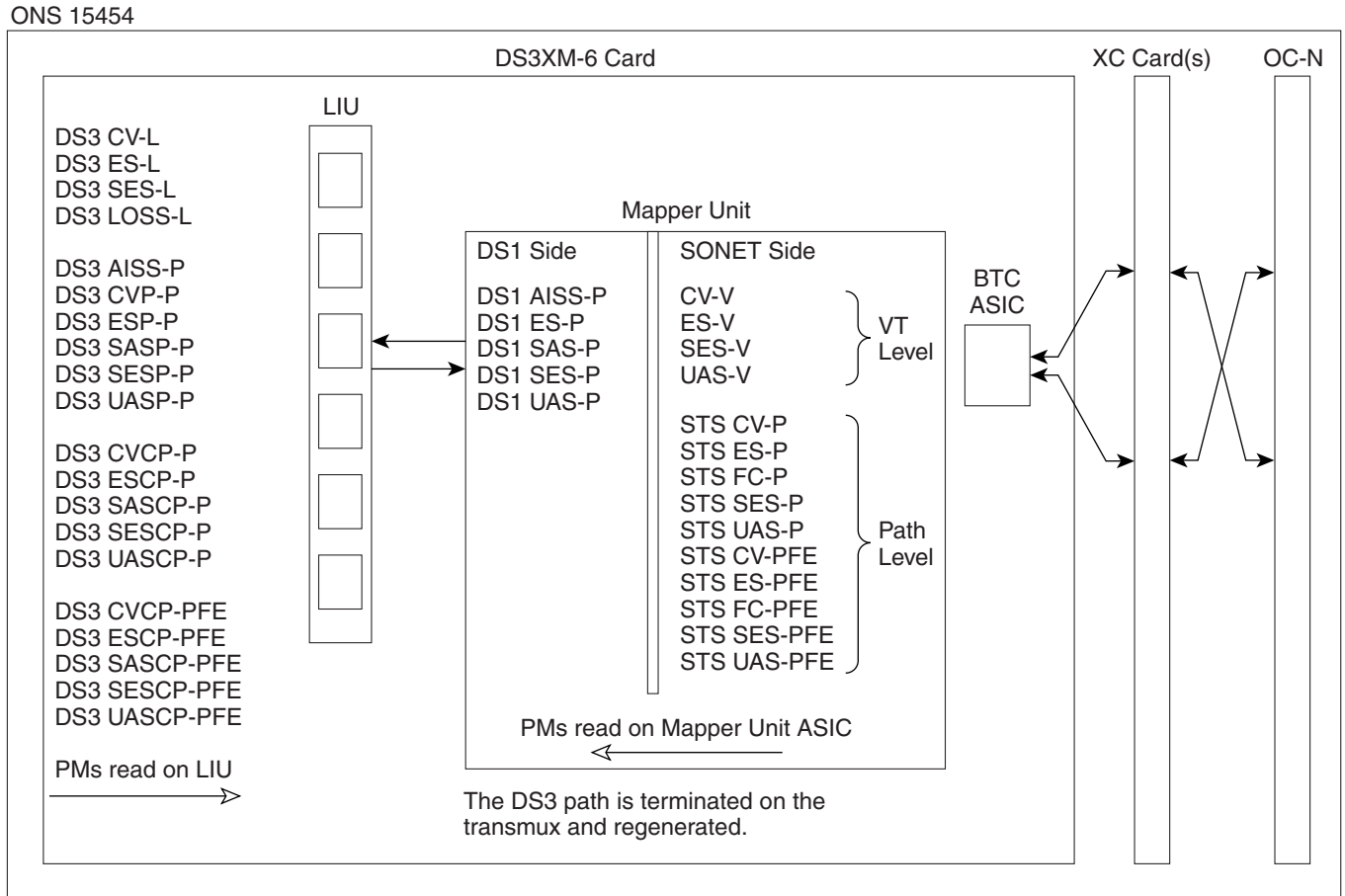


Table 4-8 lists the PM parameters for the DS3XM-6 cards.

Table 4-8 DS3XM-6 Card PMs

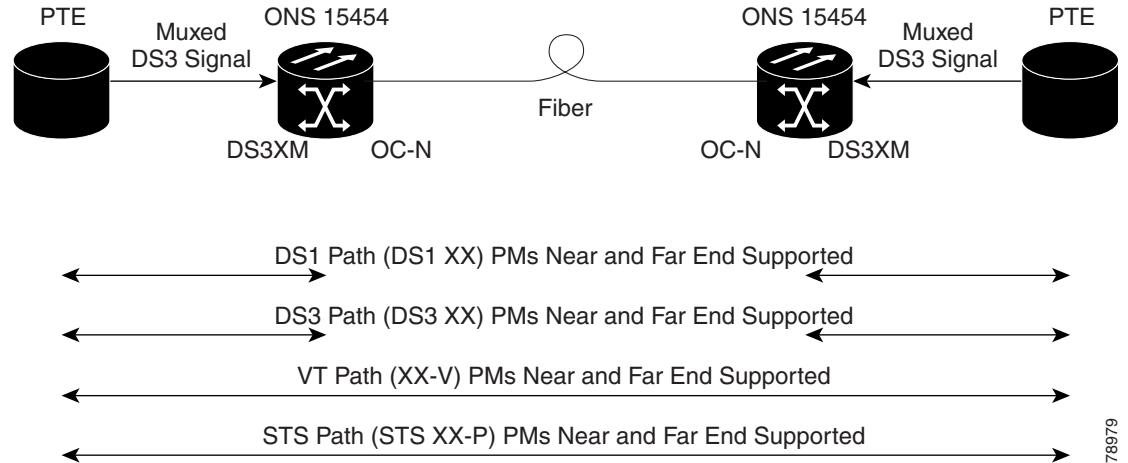
DS3 Line (NE)	DS3 Path (NE) ¹	DS1 Path (NE)	VT Path (NE)	STS Path (NE)	DS3 Path (FE) ¹	VT Path (FE)	STS Path (FE)
CV-L	AISS-P	AISS-P	CV-V	CV-P	CVCP-PFE	CV-VFE	CV-PFE
ES-L	CV-P	ES-P	ES-V	ES-P	ESCP-PFE	ES-VFE	ES-PFE
SES-L	ES-P	SAS-P ²	SES-V	SES-P	SASCP-PFE	SES-VFE	SES-PFE
LOSS-L	SAS-P ²	SES-P	UAS-V	UAS-P	SESCP-PFE	UAS-VFE	UAS-PFE
	SES-P	UAS-P		FC-P	UASCP-PFE		FC-PFE
	UAS-P						
	ESCP-P						
	SESCP-P						
	UASCP-P						
	CVCP-P						

1. The C-bit PMs (PMs that end in "CPP") are applicable only if line format is C-bit.
2. DS3XM-6 cards support SAS-P only on the Rx path.

4.6.7 DS3XM-12 Card Performance Monitoring Parameters

Figure 4-13 shows the signal types that support near-end and far-end PMs.

Figure 4-13 Monitored Signal Types for the DS3XM-12 Card



Note

The XX in Figure 4-13 represents all PMs listed in Table 4-9 with the given prefix and/or suffix.

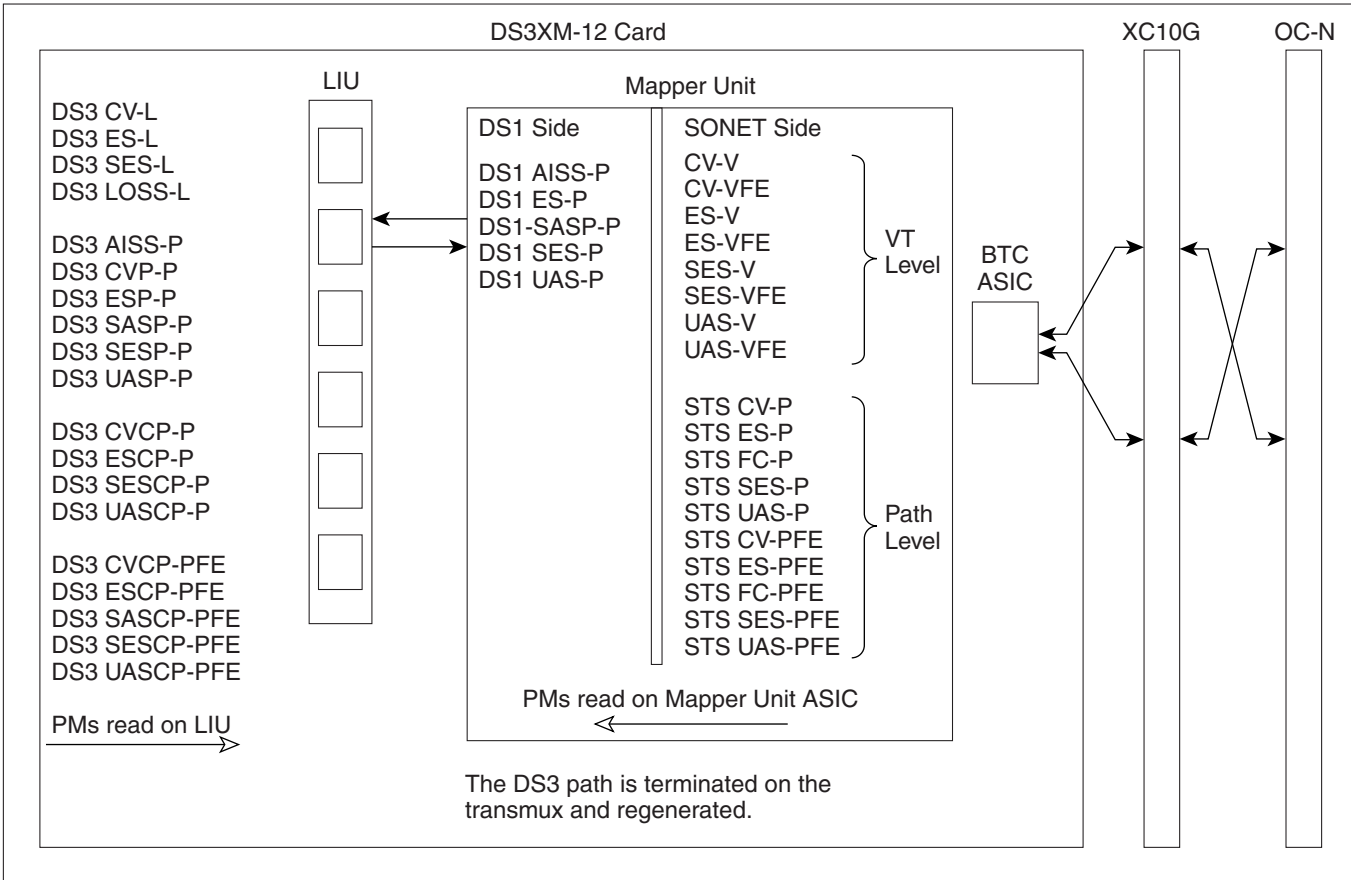
Figure 4-12 shows where the overhead bytes detected on the ASICs produce performance monitoring parameters for the DS3XM-12 card.

78979

4.6.7 DS3XM-12 Card Performance Monitoring Parameters

Figure 4-14 PM Read Points on the DS3XM-12 Card

ONS 15454



120363

Table 4-9 lists the PM parameters for the DS3XM-12 cards.

Table 4-9 DS3XM-12 Card PMs

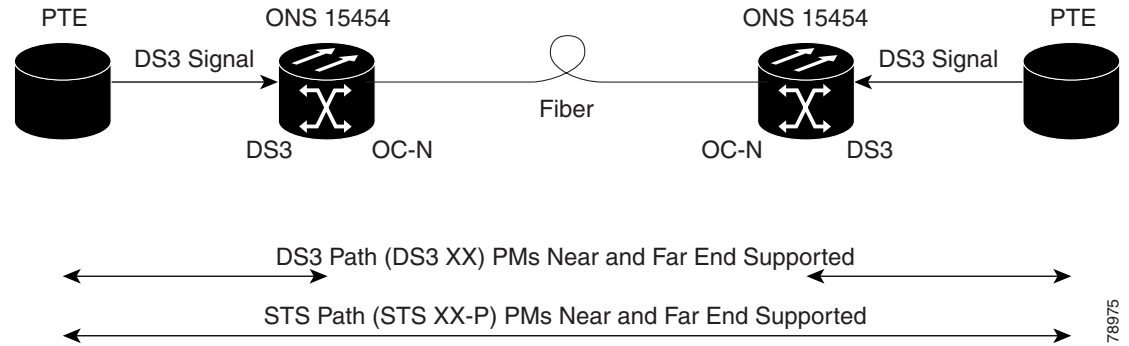
DS3 Line (NE)	DS3 Path (NE) ¹	DS1 Path (NE)	VT Path (NE)	STS Path (NE)	DS3 Path (FE) ¹	VT Path (FE)	STS Path (FE)	BFDL (FE)
CV-L	AISS-P	AISS-P	CV-V	CV-P	CVCP-PFE	CV-VFE	CV-PFE	CSS
ES-L	CV-P	ES-P	ES-V	ES-P	ESCP-PFE	ES-VFE	ES-PFE	ES
SES-L	ES-P	SAS-P ²	SES-V	SES-P	SASCP-PFE	SES-VFE	SES-PFE	SES
LOSS-L	SAS-P ²	SES-P	UAS-V	UAS-P	SESCP-PFE	UAS-VFE	UAS-PFE	BAS
	SES-P	UAS-P		FC-P	UASCP-PFE		FC-PFE	UAS
	UAS-P							LOFC
	ESCP-P							
	SESCP-P							
	UASCP-P							
	CVCP-P							

1. The C-bit PMs (PMs that end in "CPP") are applicable only if line format is C-bit.
2. DS3XM-12 cards support SAS-P only on the Rx path.

4.6.8 DS3/EC1-48 Card Performance Monitoring Parameters

Figure 4-15 shows the signal types that support near-end and far-end PMs.

Figure 4-15 Monitored Signal Types for the DS3/EC1-48 Card



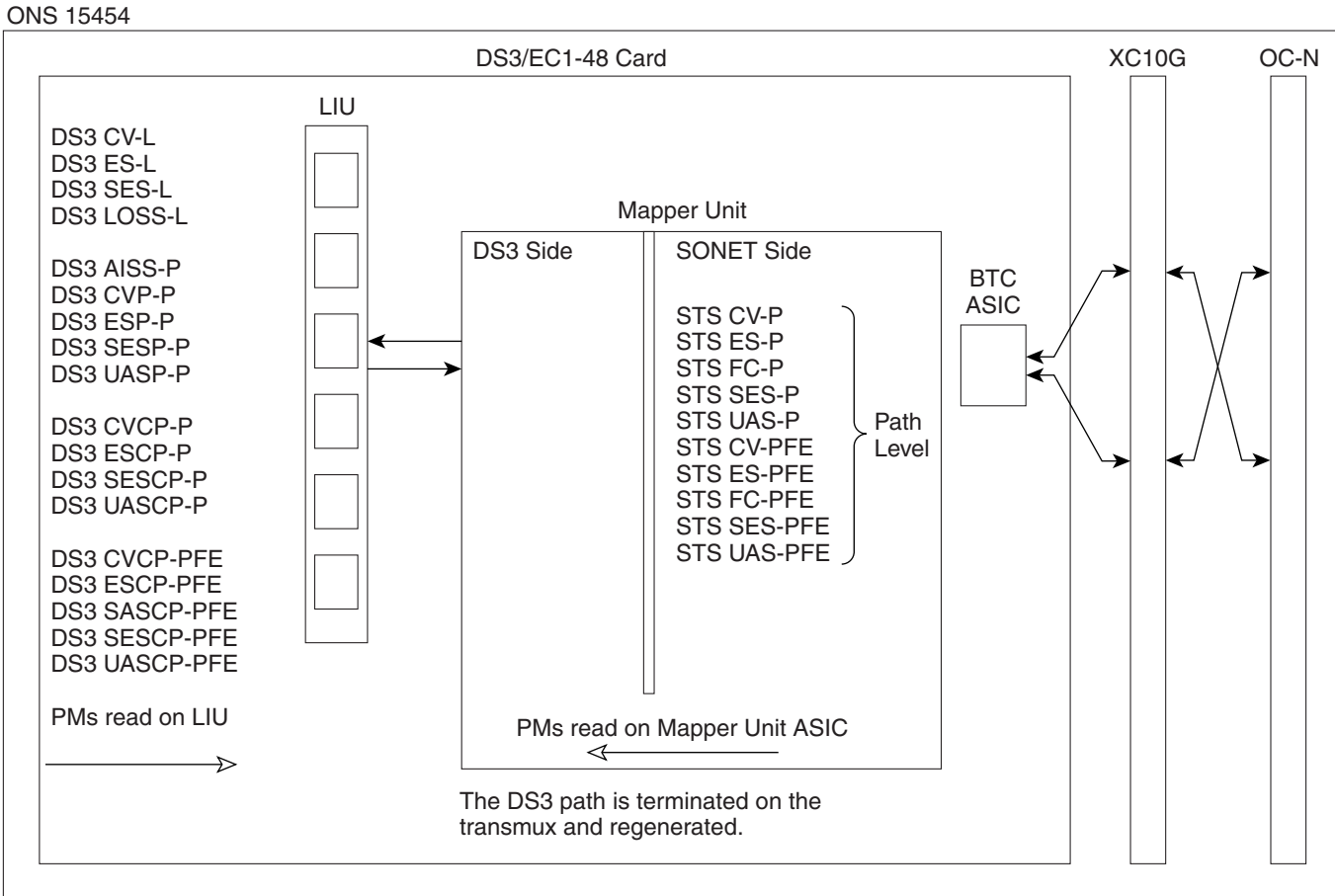
Note

The XX in Figure 4-15 represents all PMs listed in Table 4-10 with the given prefix and/or suffix.

Figure 4-16 shows where the overhead bytes detected on the ASICs produce performance monitoring parameters for the DS3/EC1-48 card.

78975

Figure 4-16 PM Read Points on the DS3/EC1-48 Card



120364

Table 4-10 lists the PM parameters for the DS3/EC1-48 cards.

Table 4-10 DS3/EC1-48 Card PMs

DS3 Line (NE)	DS3 Path (NE) ¹	STS Path (NE)	DS3 Path (FE) ¹	STS Path (FE)
CV-L	AISS-P	CV-P	CVCP-PFE	CV-PFE
ES-L	CV-P	ES-P	ESCP-PFE	ES-PFE
SES-L	ES-P	SES-P	SESCP-PFE	SES-PFE
LOSS-L	SAS-P ²	UAS-P	UASP-PFE	UAS-PFE
	SES-P	FC-P		FC-PFE
	UAS-P			
	ESCP-P			
	SESCP-P			
	UASP-P			
	CVCP-P			

1. The C-bit PMs (PMs that end in "CPP") are applicable only if line format is C-bit.
2. DS3/EC1-48 cards support SAS-P only on the Rx path.

4.7 Performance Monitoring for Ethernet Cards

The following sections define performance monitoring parameters and definitions for the ONS 15454 E-Series, G-Series, and ML-Series Ethernet cards.

4.7.1 E-Series Ethernet Card Performance Monitoring Parameters

CTC provides Ethernet performance information, including line-level parameters, port bandwidth consumption, and historical Ethernet statistics. The E-Series Ethernet performance information is divided into the Statistics, Utilization, and History tabbed windows within the card view Performance tab window.

4.7.2 E-Series Ethernet Statistics Window

The Ethernet statistics window lists Ethernet parameters at the line level. The Statistics window provides buttons to change the statistical values shown. The Baseline button resets the displayed statistics values to zero. The Refresh button manually refreshes statistics. Auto-Refresh sets a time interval at which automatic refresh occurs.

Table 4-11 defines the E-Series Ethernet card Statistics parameters.

Table 4-11 E-Series Ethernet Statistics Parameters

Parameter	Definition
Link Status	Indicates whether link integrity is present; up means present, and down means not present.
Rx Packets	Number of packets received since the last counter reset.
Rx Bytes	Number of bytes received since the last counter reset.
Tx Packets	Number of packets transmitted since the last counter reset.
Tx Bytes	Number of bytes transmitted since the last counter reset.
Rx Total Errors	Total number of receive errors.
Rx FCS	Number of packets received with a Frame Check Sequence (FCS) error. FCS errors indicate frame corruption during transmission.
Rx Alignment	Number of packets with alignment errors. Alignment errors are received incomplete frames.
Rx Runts	Number of undersized packets received with bad cyclic redundancy check (CRC) errors.
Rx Shorts	Number of undersized received packets with good CRC errors.
Rx Oversized + Jabbers	Measures oversized packets and jabbers. Size is greater than 1522 errors regardless of CRC errors.
Tx Collisions	Number of transmit packets that are collisions; the port and the attached device transmitting at the same time caused collisions.
Tx Late Collisions	Number of frames that were not transmitted since they encountered a collision outside of the normal collision window (late collision events should occur only rarely).

Table 4-11 E-Series Ethernet Statistics Parameters (continued)

Parameter	Definition
Tx Excessive Collisions	Number of consecutive collisions.
Tx Deferred	Number of packets deferred.

4.7.3 E-Series Ethernet Utilization Window

The Utilization window shows the percentage of transmit (Tx) and receive (Rx) line bandwidth used by the Ethernet ports during consecutive time segments. The Mode field displays the real-time mode status, such as 100 Full, which is the mode setting configured on the E-Series port. However, if the E-Series port is set to autonegotiate the mode (Auto), this field shows the result of the link negotiation between the E-Series and the peer Ethernet device attached directly to the E-Series port.

The **Utilization** window provides an Interval menu that enables you to set time intervals of 1 minute, 15 minutes, 1 hour, and 1 day. Line utilization is calculated with the following formulas:

$$Rx = (inOctets + inPkts * 20) * 8 / 100\% \text{ interval} * \text{maxBaseRate}$$

$$Tx = (outOctets + outPkts * 20) * 8 / 100\% \text{ interval} * \text{maxBaseRate}$$

The interval is defined in seconds. The maxBaseRate is defined by raw bits per second in one direction for the Ethernet port (that is, 1 Gbps). The maxBaseRate for E-Series Ethernet cards is shown in [Table 4-12](#).

Table 4-12 maxBaseRate for STS Circuits

STS	maxBaseRate
STS-1	51840000
STS-3c	155000000
STS-6c	311000000
STS-12c	622000000



Note

Line utilization numbers express the average of ingress and egress traffic as a percentage of capacity.



Note

The E-Series Ethernet card is a Layer 2 device or switch and supports Trunk Utilization statistics. The Trunk Utilization statistics are similar to the Line Utilization statistics, but shows the percentage of circuit bandwidth used rather than the percentage of line bandwidth used. The Trunk Utilization statistics are accessed via the card view Maintenance tab.

4.7.4 E-Series Ethernet History Window

The Ethernet History window lists past Ethernet statistics for the previous time intervals. Depending on the selected time interval, the History window displays the statistics for each port for the number of previous time intervals as shown in [Table 4-13](#). The listed parameters are defined in [Table 4-11](#) on [page 4-25](#).

Table 4-13 Ethernet History Statistics per Time Interval

Time Interval	Number of Intervals Displayed
1 minute	60 previous time intervals
15 minutes	32 previous time intervals
1 hour	24 previous time intervals
1 day (24 hours)	7 previous time intervals

4.7.5 G-Series Ethernet Card Performance Monitoring Parameters

CTC provides Ethernet performance information, including line-level parameters, port bandwidth consumption, and historical Ethernet statistics. The G-Series Ethernet performance information is divided into the Statistics, Utilization, and History tabbed windows within the card view Performance tab window.

4.7.6 G-Series Ethernet Statistics Window

The Ethernet statistics window lists Ethernet parameters at the line level. The Statistics window provides buttons to change the statistical values shown. The Baseline button resets the displayed statistics values to zero. The Refresh button manually refreshes statistics. Auto-Refresh sets a time interval at which automatic refresh occurs. The G-Series Statistics window also has a Clear button. The Clear button sets the values on the card to zero, but does not reset the G-Series card.

[Table 4-14](#) defines the G-Series Ethernet card Statistics parameters.

Table 4-14 G-Series Ethernet Statistics Parameters

Parameter	Definition
Time Last Cleared	A time stamp indicating the last time statistics were reset.
Link Status	Indicates whether the Ethernet link is receiving a valid Ethernet signal (carrier) from the attached Ethernet device; up means present, and down means not present.
Rx Packets	Number of packets received since the last counter reset.
Rx Bytes	Number of bytes received since the last counter reset.
Tx Packets	Number of packets transmitted since the last counter reset.
Tx Bytes	Number of bytes transmitted since the last counter reset.
Rx Total Errors	Total number of receive errors.
Rx FCS	Number of packets with a FCS error. FCS errors indicate frame corruption during transmission.
Rx Alignment	Number of packets with received incomplete frames.
Rx Runts	Number of undersized packets received with bad CRC errors.
Rx Shorts	Measures undersized packets received with good CRC errors.
Rx Jabbers	The total number of frames received that exceed the 1548-byte maximum and contain CRC errors.

Table 4-14 G-Series Ethernet Statistics Parameters (continued)

Parameter	Definition
Rx Giants	Number of packets received that are greater than 1530 bytes in length.
Rx Pause Frames	Number of received Ethernet IEEE 802.3z pause frames.
Tx Pause Frames	Number of transmitted IEEE 802.3z pause frames.
Rx Pkts Dropped Internal Congestion	Number of received packets dropped due to overflow in G-Series frame buffer.
Tx Pkts Dropped Internal Congestion	Number of transmit queue drops due to drops in the G-Series frame buffer.
HDLC Errors	High-level data link control (HDLC) errors received from SONET/SDH (see Note).
Rx Unicast Packets	Number of unicast packets received since the last counter reset.
Tx Unicast Packets	Number of unicast packets transmitted.
Rx Multicast Packets	Number of multicast packets received since the last counter reset.
Tx Multicast Packets	Number of multicast packets transmitted.
Rx Broadcast Packets	Number of broadcast packets received since the last counter reset.
Tx Broadcast Packets	Number of broadcast packets transmitted.

**Note**

Do not use the high level data link control (HDLC) errors counter to count the number of frames dropped because of HDLC errors, because each frame can fragment into several smaller frames during HDLC error conditions and spurious HDLC frames can be generated. If HDLC error counters are incrementing when no SONET path problems should be present, it might indicate a problem with the quality of the SONET path. For example, a SONET protection switch generates a set of HDLC errors. However, the actual values of these counters are less significant than the fact that they are changing.

4.7.7 G-Series Ethernet Utilization Window

The Utilization window shows the percentage of Tx and Rx line bandwidth used by the Ethernet ports during consecutive time segments. The Mode field displays the real-time mode status, such as 100 Full, which is the mode setting configured on the G-Series port. However, if the G-Series port is set to autonegotiate the mode (Auto), this field shows the result of the link negotiation between the G-Series and the peer Ethernet device attached directly to the G-Series port.

The **Utilization** window provides an Interval menu that enables you to set time intervals of 1 minute, 15 minutes, 1 hour, and 1 day. Line utilization is calculated with the following formulas:

$$\text{Rx} = (\text{inOctets} + \text{inPkts} * 20) * 8 / 100\% \text{ interval} * \text{maxBaseRate}$$

$$\text{Tx} = (\text{outOctets} + \text{outPkts} * 20) * 8 / 100\% \text{ interval} * \text{maxBaseRate}$$

The interval is defined in seconds. The maxBaseRate is defined by raw bits per second in one direction for the Ethernet port (that is, 1 Gbps). The maxBaseRate for G-Series Ethernet cards is shown in [Table 4-15](#).

Table 4-15 maxBaseRate for STS Circuits

STS	maxBaseRate
STS-1	51840000
STS-3c	155000000
STS-6c	311000000
STS-12c	622000000



Note

Line utilization numbers express the average of ingress and egress traffic as a percentage of capacity.



Note

Unlike the E-Series cards, the G-Series cards do not have a display of Trunk Utilization statistics because the G-Series card is not a Layer 2 device or switch.

4.7.8 G-Series Ethernet History Window

The Ethernet History window lists past Ethernet statistics for the previous time intervals. Depending on the selected time interval, the History window displays the statistics for each port for the number of previous time intervals as shown in [Table 4-16](#). The listed parameters are defined in [Table 4-14](#) on [page 4-27](#).

Table 4-16 Ethernet History Statistics per Time Interval

Time Interval	Number of Intervals Displayed
1 minute	60 previous time intervals
15 minutes	32 previous time intervals
1 hour	24 previous time intervals
1 day (24 hours)	7 previous time intervals

4.7.9 ML-Series Ethernet Card Performance Monitoring Parameters

CTC provides Ethernet performance information for line-level parameters and historical Ethernet statistics. The ML-Series Ethernet performance information is divided into the Ether Ports and POS (Packet over SONET/SDH) Ports tabbed windows within the card view Performance tab window.

[Table 4-17](#) defines the ML-Series Ethernet card Ether Ports PM parameters.

Table 4-17 ML-Series Ether Ports PM Parameters

Parameter	Definition
Rx Bytes	Number of bytes received since the last counter reset.
Rx Packets	Number of packets received since the last counter reset.
Rx Unicast Packets	Number of unicast packets received since the last counter reset.
Rx Multicast Packets	Number of multicast packets received since the last counter reset.
Rx Broadcast Packets	Number of broadcast packets received since the last counter reset.
Rx Giants	Number of packets received that are greater than 1530 bytes in length.
Rx Total Errors	Total number of receive errors.
Rx FCS Errors	Number of packets received with an FCS error.
Rx Runts	Total number of frames received that are less than 64 bytes in length and have a CRC error.
Rx Jabbers	Total number of frames received that exceed the maximum 1548 bytes and contain CRC errors.
Rx Align Errors	Number of received packets with alignment errors.
Tx Bytes	Number of bytes transmitted since the last counter reset.
Tx Packets	Number of packets transmitted since the last counter reset.
Tx Unicast Packets	Number of unicast packets transmitted.
Tx Multicast Packets	Number of multicast packets transmitted.
Tx Broadcast Packets	Number or broadcast packets transmitted.
Tx Giants	Number of packets transmitted that are greater than 1548 bytes in length.
Tx Collisions	Number of transmitted packets that collided.
Port Drop Counts	Number of received frames dropped at the port level.
Rx Pause Frames	Number of received pause frames.
Rx Threshold Oversizes	Number of received packets larger than the ML-Series RMON threshold.
Rx GMAC Drop Counts	Number of received frames dropped by MAC module.
Tx Pause Frames	Number of transmitted pause frames.

Table 4-18 defines the ML-Series Ethernet card POS Ports parameters.

Table 4-18 ML-Series POS Ports Parameters

Parameter	Definition
Rx Pre Hdlc Bytes	Number of bytes received prior to the bytes HLDC encapsulation by the policy engine.
Rx Post Hdlc Bytes	Number of bytes received after the bytes HLDC encapsulation by the policy engine.
Rx Packets	Number of packets received since the last counter reset.
Rx Normal Packets	Number of packets between the minimum and maximum packet size received.

Table 4-18 ML-Series POS Ports Parameters (continued)

Parameter	Definition
Rx Shorts	Number of packets below the minimum packet size received.
Rx Runts	Total number of frames received that are less than 64 bytes in length and have a CRC error.
Rx Longs	Counter for the number of received frames that exceed the maximum valid packet length of 1518 bytes.
Rx Total Errors	Total number of receive errors.
Rx CRC Errors	Number of packets received with a CRC error.
Rx Input Drop Packets	Number of received packets dropped before input.
Rx Input Abort Packets	Number of received packets aborted before input.
Tx Pre Hdlc Bytes	Number of bytes transmitted prior to the bytes HLDC encapsulation by the policy engine.
Tx Post Hdlc Bytes	Number of bytes transmitted after the bytes HLDC encapsulation by the policy engine.
Tx Packets	Number of packets transmitted since the last counter reset.
Port Drop Counts	Number of received frames dropped at the port level.

4.7.10 CE-100T-8 Card Ethernet Performance Monitoring Parameters

CTC provides Ethernet performance information, including line-level parameters, port bandwidth consumption, and historical Ethernet statistics. The CE-100T-8 card Ethernet performance information is divided into Ether Ports and POS Ports tabbed windows within the card view Performance tab window.

4.7.10.1 CE-100T-8 Card Ether Port Statistics Window

The Ether Ports statistics window lists Ethernet parameters at the line level. The Ether Ports Statistics window provides buttons to change the statistical values shown. The Baseline button resets the displayed statistics values to zero. The Refresh button manually refreshes statistics. Auto-Refresh sets a time interval at which automatic refresh occurs. The window also has a Clear button. The Clear button sets the values on the card to zero, but does not reset the CE-100T-8 card.

During each automatic cycle, whether auto-refreshed or manually refreshed (using the Refresh button), statistics are added cumulatively and are not immediately adjusted to equal total received packets until testing ends. To see the final PM count totals, allow a few moments for the PM window statistics to finish testing and update fully. PM counts are also listed in the CE-100T-8 card Performance > History window.

[Table 4-19](#) defines the CE-100T-8 card Statistics parameters.

Table 4-19 CE-100T-8 Ethernet Statistics Parameters

Parameter	Definition
Time Last Cleared	A time stamp indicating the last time statistics were reset.
Link Status	Indicates whether the Ethernet link is receiving a valid Ethernet signal (carrier) from the attached Ethernet device; up means present, and down means not present.

Table 4-19 CE-100T-8 Ethernet Statistics Parameters (continued)

Parameter	Definition
Rx Unicast Packets	Number of unicast packets received since the last counter reset.
Tx Unicast Packets	Number of unicast packets transmitted since the last counter reset.
Rx Multicast Packets	Number of multicast packets received since the last counter reset.
Tx Multicast Packets	Number of multicast packets transmitted since the last counter reset.
Rx Broadcast Packets	Number of broadcast packets received since the last counter reset.
Tx Broadcast Packets	Number of broadcast packets transmitted since the last counter reset.
Rx Bytes	Number of bytes received since the last counter reset.
Tx Bytes	Number of bytes transmitted since the last counter reset.
Rx Packets	Number of packets received since the last counter reset.
Tx Packets	Number of packets transmitted since the last counter reset.
Rx Errors	The number of inbound packets (or transmission units) that contained errors, preventing them from being delivered to a higher-layer protocol.
Rx Runts	The total number of packets received that were less than 64 octets long (excluding framing bits, but including FCS octets) and were otherwise well formed.
Rx Jabbers	The total number of packets received that were longer than 1518 octets (excluding framing bits, but including FCS octets), and had either a bad FCS with an integral number of octets (FCS Error) or a bad FCS with a nonintegral number of octets (Alignment Error).
Rx Giants	The total number of packets received that were longer than 1518 octets (excluding framing bits, but including FCS octets) and were otherwise well formed.
Tx Utilization	Same as Rx Utilization, except calculated over the Tx line bandwidth.
Rx Alignment Errors	A count of frames received on a particular interface that are not an integral number of octets in length and do not pass the FCS check.
Rx FCS Errors	A count of frames received on a particular interface that are an integral number of octets in length but do not pass the FCS check.

4.7.10.2 CE-100T-8 Card Ether Ports Utilization Window

The Ether Ports Utilization window shows the percentage of Tx and Rx line bandwidth used by the Ethernet ports during consecutive time segments. The Ether Ports Utilization window provides an Interval menu that enables you to set time intervals of 1 minute, 15 minutes, 1 hour, and 1 day. Line utilization is calculated with the following formulas:

$$\text{Rx} = (\text{inOctets} + \text{inPkts} * 20) * 8 / 100\% \text{ interval} * \text{maxBaseRate}.$$

$$\text{Tx} = (\text{outOctets} + \text{outPkts} * 20) * 8 / 100\% \text{ interval} * \text{maxBaseRate}.$$

The interval is defined in seconds. The maxBaseRate is defined by raw bits per second in one direction for the Ethernet port (that is, 1 Gbps). The maxBaseRate for CE-100T-8 Ethernet cards is shown in [Table 4-20](#).

Table 4-20 *maxBaseRate for STS Circuits*

STS	maxBaseRate
STS-1	51840000
STS-3c	155000000
STS-6c	311000000
STS-12c	622000000

**Note**

Line utilization numbers express the average of ingress and egress traffic as a percentage of capacity.

4.7.10.3 CE-100T-8 Card Ether Ports History Window

The Ether Ports History window lists past Ethernet statistics for the previous time intervals. Depending on the selected time interval, the Ether Ports History window displays the statistics for each port for the number of previous time intervals as shown in [Table 4-21](#). The listed parameters are defined in [Table 4-14 on page 4-27](#).

Table 4-21 *Ethernet History Statistics per Time Interval*

Time Interval	Number of Intervals Displayed
1 minute	60 previous time intervals
15 minutes	32 previous time intervals
1 hour	24 previous time intervals
1 day (24 hours)	7 previous time intervals

4.7.10.4 CE-100T-8 Card POS Ports Statistics Parameters

The POS Ports statistics window lists POS parameters at the line level.

[Table 4-22](#) defines the CE-100T-8 card POS Ports parameters.

Table 4-22 *CE-100T-8 Card POS Ports Parameters*

Parameter	Definition
Time Last Cleared	A time stamp indicating the last time statistics were reset.
Link Status	Indicates whether the Ethernet link is receiving a valid Ethernet signal (carrier) from the attached Ethernet device; up means present, and down means not present.
Rx Packets	Number of packets received since the last counter reset.
Tx Packets	Number of packets transmitted since the last counter reset.
Rx Octets	Number of bytes received (from the SONET/SDH path) prior to the bytes undergoing HLDC decapsulation by the policy engine.
Tx Octets	Number of bytes transmitted (to the SONET/SDH path) after the bytes undergoing HLDC encapsulation by the policy engine.

Table 4-22 CE-100T-8 Card POS Ports Parameters (continued)

Parameter	Definition
Rx Frames / Packets	Receive data frames.
Tx Frames / Packets	Transmit data frames.
Rx Octets	Received data octets.
Tx Octets	Transmit data octets.
Rx CRC Errors	Receive data frames with payload CRC errors.
Rx MBit Errors	Receive frames with multi bit errors (cHEC, tHEC, eHEC).
Rx SBit Errors	Receive frames with single bit errors (cHEC, tHEC, eHEC).
Rx Type Invalid	Receive frames with invalid type (PTI, EXI, UPI).
Rx CID Invalid	Receive frames with invalid CID.

4.7.10.5 CE-100T-8 Card POS Ports Utilization Window

The POS Ports Utilization window shows the percentage of Tx and Rx line bandwidth used by the POS ports during consecutive time segments. The Utilization window provides an Interval menu that enables you to set time intervals of 1 minute, 15 minutes, 1 hour, and 1 day. Line utilization is calculated with the following formulas:

$$\text{Rx} = (\text{inOctets} + \text{inPkts} * 20) * 8 / 100\% \text{ interval} * \text{maxBaseRate}.$$

$$\text{Tx} = (\text{outOctets} + \text{outPkts} * 20) * 8 / 100\% \text{ interval} * \text{maxBaseRate}.$$

The interval is defined in seconds. The maxBaseRate is defined by raw bits per second in one direction for the Ethernet port (that is, 1 Gbps).

Refer to [Table 4-20](#) for maxBaseRate values for STS Circuits



Note

Line utilization numbers express the average of ingress and egress traffic as a percentage of capacity.

4.7.10.6 CE-100T-8 Card POS Ports History Window

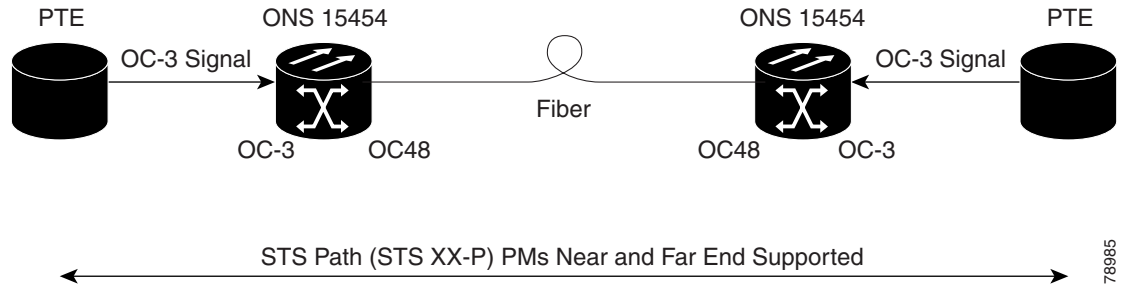
The Ethernet POS Ports History window lists past Ethernet POS Ports statistics for the previous time intervals. Depending on the selected time interval, the History window displays the statistics for each port for the number of previous time intervals as shown in [Table 4-21](#). The listed parameters are defined in [Table 4-19 on page 4-31](#).

4.8 Performance Monitoring for Optical Cards

This section lists performance monitoring parameters for ONS 15454 optical cards, including the OC-3, OC-12, OC-48, and OC-192.

[Figure 4-17](#) shows the signal types that support near-end and far-end PMs.

Figure 4-17 Monitored Signal Types for the OC-3 Cards

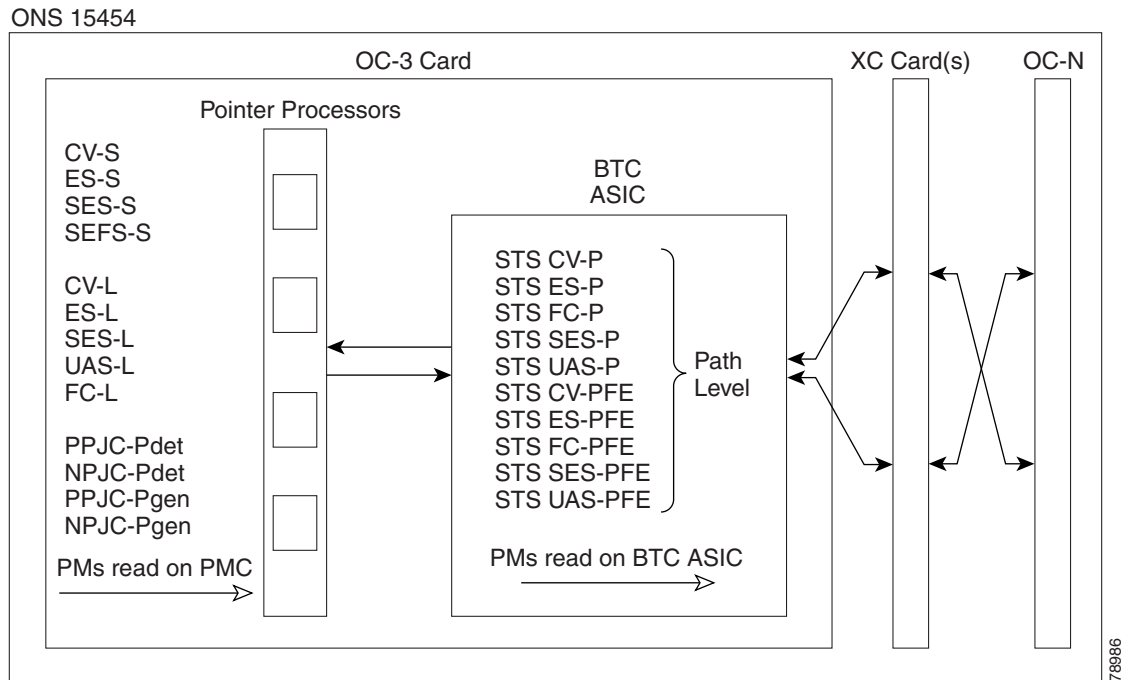


Note

The XX in Figure 4-17 represents all PMs listed in Table 4-23, Table 4-24, and Table 4-25 with the given prefix and/or suffix.

Figure 4-18 shows where overhead bytes detected on the ASICs produce performance monitoring parameters for the OC3 IR 4 SH 1310 and OC3 IR SH 1310-8 cards.

Figure 4-18 PM Read Points on the OC-3 Cards



Note

For PM locations relating to protection switch counts, see the Telcordia GR-253-CORE document.

Table 4-23 and Table 4-24 list the PM parameters for OC-3 cards.

Table 4-23 OC3 Card PMs

Section (NE)	Line (NE)	STS Path (NE)	Line (FE)	STS Path (FE) ¹
CV-S	CV-L	CV-P	CV-LFE	CV-PFE
ES-S	ES-L	ES-P	ES-LFE	ES-PFE
SES-S	SES-L	SES-P	SES-LFE	SES-PFE
SEFS	UAS-L	UA-S-P	UAS-LFE	UAS-PFE
	FC-L	FCP	FC-LFE	FC-PFE
	PSC (1+1)	PPJC-PDET		
	PSD (1+1)	NPJC-PDET		
		PPJC-PGEN		
		NPJC-PGEN		
		PPJC-SEC		
		NPJC-SEC		
		PJC-DIFF		

1. The STS Path (FE) PMs are valid only for the OC3-4 card on ONS 15454.

Table 4-24 OC3-8 Card PMs

Section (NE)	Line (NE)	Physical Layer (NE)	STS Path (NE)	Line (FE)	STS Path (FE)
CV-S	CV-L	LBCL	CV-P	CV-LFE	CV-PFE
ES-S	ES-L	OPT	ES-P	ES-LFE	ES-PFE
SES-S	SES-L	OPR	SES-P	SES-LFE	SES-PFE
SEFS	UAS-L		UAS-P	UAS-LFE	UAS-PFE
	FC-L		FC-P	FC-LFE	FC-PFE
	PSC (1+1)		PPJC-PDET		
	PSD (1+1)		NPJC-PDET		
			PPJC-PGEN		
			NPJC-PGEN		
			PPJC-SEC		
			NPJC-SEC		
			PJC-DIFF		

Table 4-25 lists the PM parameters for OC-12, OC-48, and OC-192 cards.

Table 4-25 OC12, OC48, OC192 Card PMs

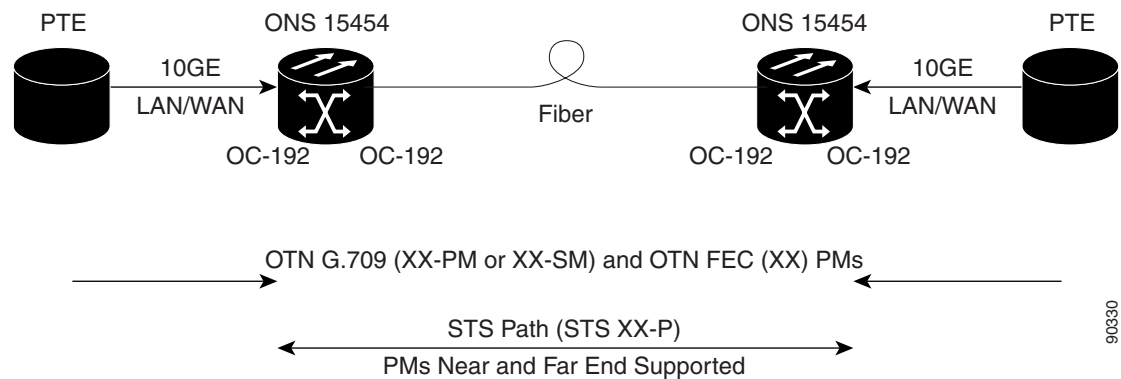
Section (NE)	Line (NE)	STS Path (NE)	Line (FE)
CV-S	CV-L	CV--P	CV-LFE
ES-S	ES-L	ESP	ES-LFE
SES-S	SES-L	SES-P	SES-LFE
SEFS	UAS-L	UAS-P	UAS-LFE
	FC-L	FC-P	FC-LFE
	PSC (1+1, 2F BLSR)	PPJC-PDET	
	PSD (1+1, 2F BLSR)	NPJC-PDET	
	PSC-W (4F BLSR)	PPJC-PGEN	
	PSD-W (4F BLSR)	NPJC-PGEN	
	PSC-S (4F BLSR)	PPJC-SEC	
	PSD-S (4F BLSR)	NPJC-SEC	
	PSC-R (4F BLSR)	PJC-DIFF	
	PSD-R (4F BLSR)		

4.9 Performance Monitoring for Transponder and Muxponder Cards

This section lists performance monitoring parameters for transponder cards (TXP_MR_10G, TXP_MR_2.5G, TXPP_MR_2.5G, and TXP_MR_10E), and muxponder cards (MXP_2.5G_10G, MXP_25G_10E, MXP_MR_2.5G, and MXPP_MR_2.5G).

Figure 4-19 shows the signal types that support near-end and far-end PMs.

Figure 4-19 Monitored Signal Types



Note

The XX in Figure 4-19 represents all PMs listed in Table 4-26 with the given prefix and/or suffix.

Figure 4-20 shows where overhead bytes detected on the ASICs produce performance monitoring parameters for the TXP_MR_10G card.

Figure 4-20 PM Read Points

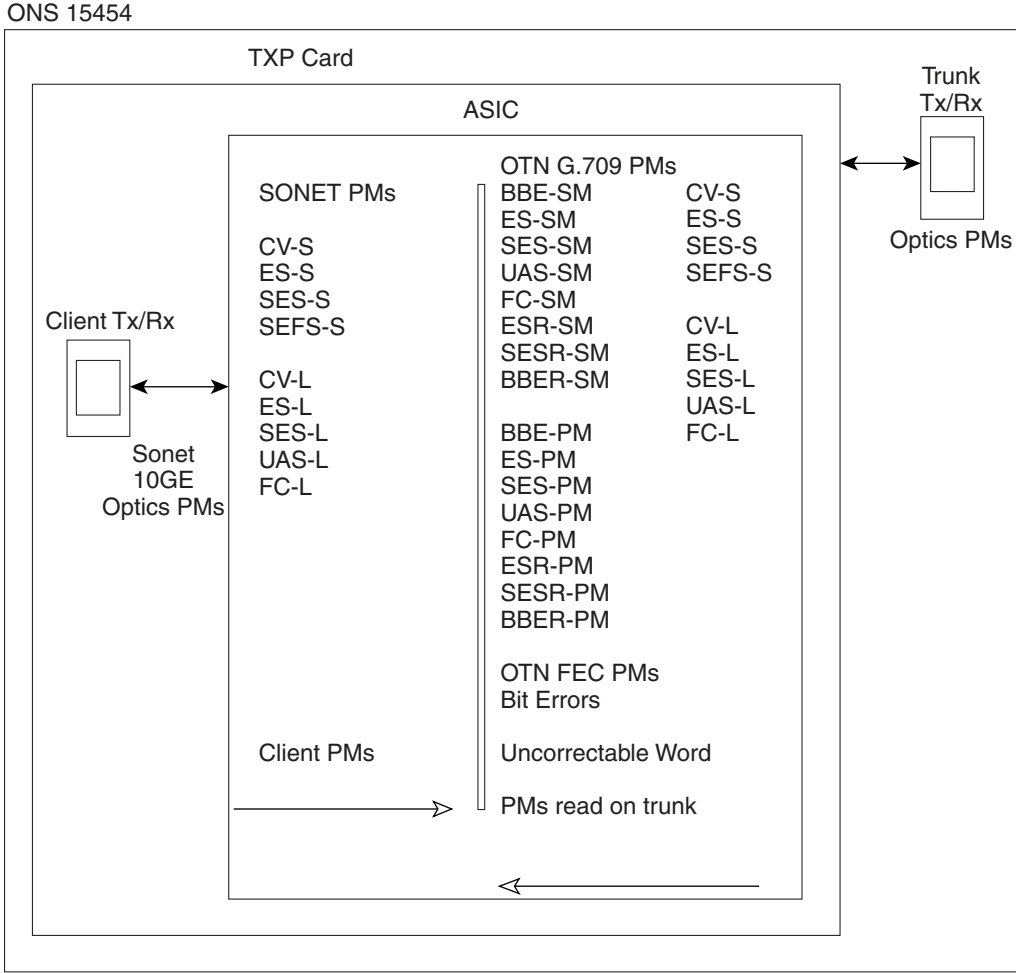


Table 4-26 describes the PM parameters for the MXP_2.5G_10G, TXP_MR_10G, TXP_MR_2.5G, TXPP_MR_2.5G, TXP_MR_10E, MXP_2.5G_10E, MXP_MR_2.5G, and MXPP_MR_2.5G cards.

Table 4-26 MXP_2.5G_10G, TXP_MR_10G, TXP_MR_2.5G, TXPP_MR_2.5G, MXP_MR_2.5G, MXPP_MR_2.5G, TXP_MR_10E, and MXP_2.5G_10E Card PMs

SONET Layer Far-End (FE) ¹	SONET Layer Near-End (NE) ¹	OTN Layer (NE and FE) ²	Optics (NE) ^{1, 3}	8B10B (NE) ⁴	FEC (NE) ²
CV-LFE	CV-S	ES-PM	OPT-AVG	CGV	BIEC
ES-LFE	CV-L	ES-SM	OPT-MAX	DCG	UNC-WORDS
SES-LFE	ES-S	ESR-PM	OPT-MIN	IOS	
UAS-LFE	ES-L	ESR-SM	OPR-AVG	IPC	
FC-LFE	SES-S	SES-PM	OPR-MAX	NIOS	
	SES-L	SES-SM	OPR-MIN	VPC	
	SEF-S	SESR-PM	LBCL-AVG		
	UAS-L	SESR-SM	LBCL-MAX		
	FC-L	UAS-PM			
		UAS-SM			
		BBE-PM			
		BBE-SM			
		BBER-PM			
		BBER-SM			
		FC-PM			
		FC-SM			

1. Applicable to OCH and CLNT facilities.
2. Applicable to OCH facility.
3. TXP-MR-2.5G/TXPP-MR-2.5G ESCON payload does not support optics PMs on the client port due to SFP imposed restriction.
4. Applicable to TXP_MR_2.5G and TXPP_MR_2.5G cards only.

4.9.1 MXP_MR_2.5G/MXPP_MR_2.5G Payload Statistics Window

The Payload Statistics window lists parameters at the line level. The Payload Statistics window provides buttons to change the statistical values shown. The Baseline button resets the displayed statistics values to zero. The Refresh button manually refreshes statistics. Auto-Refresh sets a time interval at which automatic refresh occurs. The Clear button sets the values on the card to zero. All counters on the card are cleared.

Table 4-27 defines the MXP_MR_2.5G/MXPP_MR_2.5G card statistical parameters.

Table 4-27 MXP_MR_2.5G/MXPP_MR_2.5G Statistical PMs

Parameter	Definition
8b/10b Errors	A count of 10b errors received by the serial/deserializer (serdes 8b/10b).
Running Disparity Count	A count of errors that affect the disparity of the received data stream.
Invalid CRC Error	A count of invalid cyclical redundancy checks.
Rx Frames	A count of the number of frames received without errors.
Tx Frames	A count of the number of transmitted frames.

Table 4-27 MXP_MR_2.5G/MXPP_MR_2.5G Statistical PMs (continued)

Parameter	Definition
Tx Bytes	A count of the number of bytes transmitted from the frame since the last counter reset.
Rx Link Reset (Only for FC Mode)	A count of the received link resets.

4.9.2 MXP_MR_2.5G/MXPP_MR_2.5G Utilization Window

The Utilization window shows the percentage of Tx and Rx line bandwidth used by the ports during consecutive time segments.

The **Utilization** window provides an Interval menu that enables you to set time intervals of 1 minute, 15 minutes, 1 hour, and 1 day. Line utilization is calculated with the following formulas:

$$\text{Rx} = (\text{inOctets} + \text{inPkts} * 20) * 8 / 100\% \text{ interval} * \text{maxBaseRate}$$

$$\text{Tx} = (\text{outOctets} + \text{outPkts} * 20) * 8 / 100\% \text{ interval} * \text{maxBaseRate}$$

The interval is defined in seconds. The maxBaseRate is defined by raw bits per second in one direction for the port (that is, 1 Gbps). The maxBaseRate for MXP_MR_2.5G/MXPP_MR_2.5G cards is shown in [Table 4-28](#).

Table 4-28 maxBaseRate for STS Circuits

STS	maxBaseRate
STS-1	51840000
STS-3c	155000000
STS-6c	311000000
STS-12c	622000000

**Note**

Line utilization numbers express the average of ingress and egress traffic as a percentage of capacity.

4.9.3 MXP_MR_2.5G/MXPP_MR_2.5G History Window

The MXP_MR_2.5G/MXPP_MR_2.5G History window lists past statistics for the previous time intervals. Depending on the selected time interval, the History window displays the statistics for each port for the number of previous time intervals as shown in [Table 4-29](#). The listed parameters are defined in [Table 4-27 on page 4-39](#).

Table 4-29 Ethernet History Statistics per Time Interval

Time Interval	Number of Intervals Displayed
1 minute	60 previous time intervals
15 minutes	32 previous time intervals

Table 4-29 Ethernet History Statistics per Time Interval (continued)

Time Interval	Number of Intervals Displayed
1 hour	24 previous time intervals
1 day (24 hours)	7 previous time intervals

4.10 Performance Monitoring for Storage Media Access Cards

The following sections define performance monitoring parameters and definitions for storage media card, also known as the FC-MR-4 or Fibre Channel card.

CTC provides FC_MR-4 performance information, including line-level parameters, port bandwidth consumption, and historical statistics. The FC_MR-4 card performance information is divided into the Statistics, Utilization, and History tabbed windows within the card view Performance tab window.

4.10.1 FC_MR-4 Statistics Window

The Statistics window lists parameters at the line level. The Statistics window provides buttons to change the statistical values shown. The Baseline button resets the displayed statistics values to zero. The Refresh button manually refreshes statistics. Auto-Refresh sets a time interval at which automatic refresh occurs. The Statistics window also has a Clear button. The Clear button sets the values on the card to zero. All counters on the card are cleared.

[Table 4-30](#) defines the FC_MR-4 card Statistics parameters.

Table 4-30 FC_MR-4 Statistics Parameters

Parameter	Definition
Time Last Cleared	A time stamp indicating the last time statistics were reset.
Link Status	Indicates whether the Fibre Channel link is receiving a valid Fibre Channel signal (carrier) from the attached Fibre Channel device; up means present, and down means not present.
Rx Frames	A count of the number of Fibre Channel frames received without errors.
Rx Bytes	A count of the number of bytes received without error for the Fibre Channel payload.
Tx Frames	A count of the number of transmitted Fibre Channel frames.
Tx Bytes	A count of the number of bytes transmitted from the Fibre Channel frame.
8b/10b Errors	A count of 10b errors received by the serial/deserializer (serdes 8b/10b).
Encoding Disparity Errors	A count of the disparity errors received by serdes.
Link Recoveries	A count of the FC_MR-4 software initiated link recovery attempts toward the FC line side because of SONET protection switches.
Rx Frames bad CRC	A count of the received Fibre Channel frames with errored CRCs.
Tx Frames bad CRC	A count of the transmitted Fibre Channel frames with errored CRCs.

Table 4-30 FC_MR-4 Statistics Parameters (continued)

Parameter	Definition
Rx Undersized Frames	A count of the received Fibre Channel frames < 36 bytes including CRC, start of frame (SOF), and end of frame (EOF).
Rx Oversized Frames	A count of the received Fibre Channel frames > 2116 bytes of the payload. Four bytes are allowed for supporting VSAN tags sent.
GFP Rx HDR Single-bit Errors	A count of generic framing procedure (GFP) single bit errors in the core header error check (CHEC).
GFP Rx HDR Multi-bit Errors	A count of GFP multibit errors in the CHEC.
GGFP Rx Frames Invalid Type	A count of GFP invalid user payload identifier (UPI) field in the type field.
GFP Rx Superblk CRC Errors	A count of superblock CRC errors in the transparent GFP frame.

4.10.2 FC_MR-4 Utilization Window

The Utilization window shows the percentage of Tx and Rx line bandwidth used by the ports during consecutive time segments. The **Utilization** window provides an Interval menu that enables you to set time intervals of 1 minute, 15 minutes, 1 hour, and 1 day. Line utilization is calculated with the following formulas:

$$\text{Rx} = (\text{inOctets} + \text{inPkts} * 24) * 8 / 100\% \text{ interval} * \text{maxBaseRate}$$

$$\text{Tx} = (\text{outOctets} + \text{outPkts} * 24) * 8 / 100\% \text{ interval} * \text{maxBaseRate}$$

The interval is defined in seconds. The maxBaseRate is defined by raw bits per second in one direction for the port (that is, 1 Gbps or 2 Gbps). The maxBaseRate for FC_MR-4 cards is shown in Table 4-31.

Table 4-31 maxBaseRate for STS Circuits

STS	maxBaseRate
STS-24	850000000
STS-48	850000000 x 2 ¹

- For 1 Gbps of bit rate being transported, there are only 850 Mbps of actual data because of 8b->10b conversion. Similarly, for 2 Gbps of bit rate being transported there are only 850 Mbps x 2 of actual data.



Note

Line utilization numbers express the average of ingress and egress traffic as a percentage of capacity.

4.10.3 FC_MR-4 History Window

The History window lists past FC_MR-4 statistics for the previous time intervals. Depending on the selected time interval, the History window displays the statistics for each port for the number of previous time intervals as shown in Table 4-32. The listed parameters are defined in Table 4-30 on page 4-41.

Table 4-32 FC_MR-4 History Statistics per Time Interval

Time Interval	Number of Intervals Displayed
1 minute	60 previous time intervals
15 minutes	32 previous time intervals
1 hour	24 previous time intervals
1 day (24 hours)	7 previous time intervals

4.11 Performance Monitoring for DWDM Cards

The following sections define performance monitoring parameters and definitions for the ONS 15454 OPT-PRE, OPT-BST, 32MUX-O, 32DMX-O, 32DMX, 4MD-xx.x, AD-1C-xx.x, AD-2C-xx.x, AD-4C-xx.x, AD-1B-xx.x, AD-4B-xx.x, OSCM, OSC-CSM, and 32WSSDWDM cards.

4.11.1 Optical Amplifier Card Performance Monitoring Parameters

The PM parameters for the OPT-PRE and OPT-BST cards are listed [Table 4-33](#).

Table 4-33 Optical PM Parameters for OPT-PRE and OPT-BST Cards

Optical Line	Optical Amplifier Line
OPT	OPR

4.11.2 Multiplexer and Demultiplexer Card Performance Monitoring Parameters

The PM parameters for the 32MUX-O, 32WSS, 32DMX, and 32DMX-O cards are listed in [Table 4-34](#).

Table 4-34 Optical PMs for 32MUX-O and 32DMX-O Cards

Optical Channel	Optical Line
OPR	OPT

4.11.3 4MD-xx.x Card Performance Monitoring Parameters

The PM parameters for the 4MD-xx.x cards are listed in [Table 4-35](#).

Table 4-35 Optical PMs for 4MD-xx.x Cards

Optical Channel	Optical Band
OPR	OPT

4.11.4 OADM Channel Filter Card Performance Monitoring Parameters

The PM parameters for the AD-1C-xx.x, AD-2C-xx.x, and AD-4C-xx.x cards are listed in [Table 4-36](#).

Table 4-36 Optical PMs for AD-1C-xx.x, AD-2C-xx.x, and AD-4C-xx.x Cards

Optical Channel	Optical Line
OPR	OPT

4.11.5 OADM Band Filter Card Performance Monitoring Parameters

The PM parameters for the AD-1B-xx.x and AD-4B-xx.x cards are listed in [Table 4-37](#).

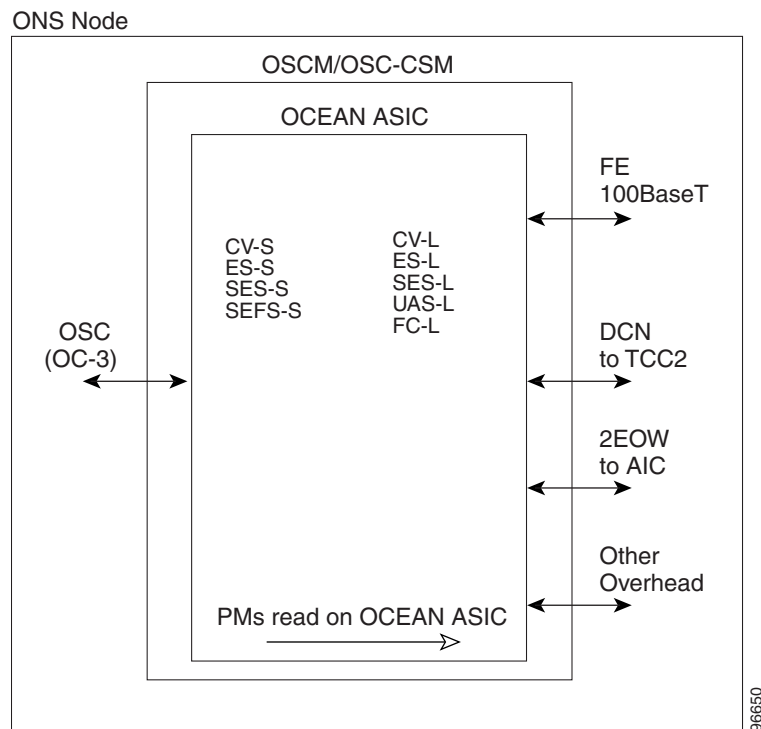
Table 4-37 Optical PMs for AD-1B-xx.x and AD-4B-xx.x Cards

Optical Line	Optical Band
OPR	OPT

4.11.6 Optical Service Channel Card Performance Monitoring Parameters

[Figure 4-21](#) shows where overhead bytes detected on the ASICs produce performance monitoring parameters for the OSCM and OSC-CSM cards.

Figure 4-21 PM Read Points on OSCM and OSC-CSM Cards



The PM parameters for the OSCM and OSC-CSM cards are described in [Table 4-38](#).

Table 4-38 OSCM/OSC-CSM (OC3) Card PMs

Section (NE) ¹	Line (NE/FE) ¹	Optics (NE) ²
CV-S	CV-L	OPWR
ES-S	ES-L	
SES-S	SES-L	
SEF-S	UAS-L	
	FC-L	

1. Applicable to OC3
2. Applicable to OTS facilities

