



Cisco Prime Access Registrar 8.0 Reference Guide

Published: January 25, 2018

Last Modified: January 30, 2018

Cisco Systems, Inc.
www.cisco.com

Cisco has more than 200 offices worldwide. Addresses, phone numbers, and fax numbers are listed on the Cisco website at www.cisco.com/go/offices.

THE SPECIFICATIONS AND INFORMATION REGARDING THE PRODUCTS IN THIS MANUAL ARE SUBJECT TO CHANGE WITHOUT NOTICE. ALL STATEMENTS, INFORMATION, AND RECOMMENDATIONS IN THIS MANUAL ARE BELIEVED TO BE ACCURATE BUT ARE PRESENTED WITHOUT WARRANTY OF ANY KIND, EXPRESS OR IMPLIED. USERS MUST TAKE FULL RESPONSIBILITY FOR THEIR APPLICATION OF ANY PRODUCTS.

THE SOFTWARE LICENSE AND LIMITED WARRANTY FOR THE ACCOMPANYING PRODUCT ARE SET FORTH IN THE INFORMATION PACKET THAT SHIPPED WITH THE PRODUCT AND ARE INCORPORATED HEREIN BY THIS REFERENCE. IF YOU ARE UNABLE TO LOCATE THE SOFTWARE LICENSE OR LIMITED WARRANTY, CONTACT YOUR CISCO REPRESENTATIVE FOR A COPY.

The Cisco implementation of TCP header compression is an adaptation of a program developed by the University of California, Berkeley (UCB) as part of UCB's public domain version of the UNIX operating system. All rights reserved. Copyright © 1981, Regents of the University of California.

NOTWITHSTANDING ANY OTHER WARRANTY HEREIN, ALL DOCUMENT FILES AND SOFTWARE OF THESE SUPPLIERS ARE PROVIDED "AS IS" WITH ALL FAULTS. CISCO AND THE ABOVE-NAMED SUPPLIERS DISCLAIM ALL WARRANTIES, EXPRESSED OR IMPLIED, INCLUDING, WITHOUT LIMITATION, THOSE OF MERCHANTABILITY, FITNESS FOR A PARTICULAR PURPOSE AND NONINFRINGEMENT OR ARISING FROM A COURSE OF DEALING, USAGE, OR TRADE PRACTICE.

IN NO EVENT SHALL CISCO OR ITS SUPPLIERS BE LIABLE FOR ANY INDIRECT, SPECIAL, CONSEQUENTIAL, OR INCIDENTAL DAMAGES, INCLUDING, WITHOUT LIMITATION, LOST PROFITS OR LOSS OR DAMAGE TO DATA ARISING OUT OF THE USE OR INABILITY TO USE THIS MANUAL, EVEN IF CISCO OR ITS SUPPLIERS HAVE BEEN ADVISED OF THE POSSIBILITY OF SUCH DAMAGES.

Cisco and the Cisco logo are trademarks or registered trademarks of Cisco and/or its affiliates in the U.S. and other countries. To view a list of Cisco trademarks, go to this URL: www.cisco.com/go/trademarks. Third-party trademarks mentioned are the property of their respective owners. The use of the word partner does not imply a partnership relationship between Cisco and any other company. (1721R)

Any Internet Protocol (IP) addresses used in this document are not intended to be actual addresses. Any examples, command display output, and figures included in the document are shown for illustrative purposes only. Any use of actual IP addresses in illustrative content is unintentional and coincidental.

Cisco Prime Access Registrar 8.0 Reference Guide
© 2018 Cisco Systems, Inc. All rights reserved.



CHAPTER 1**Overview 1-1**

- Prime Access Registrar Directory Structure 1-2
- Program Flow 1-2
 - Scripting Points 1-3
 - Client Scripting 1-3
 - Client or NAS Scripting Points 1-4
 - Authentication and/or Authorization Scripting Points 1-4
 - Script Processing Hierarchy 1-5
- Service and Ports Used in Prime Access Registrar 1-6
 - Secure Shell Service 1-6
 - Ports 1-6
- Obtain Documentation and Submit a Service Request 1-11

CHAPTER 2**RADIUS Accounting Log 2-1**

- Accounting Log Examples 2-1
 - Accounting-Start Packet 2-1
 - Accounting Stop Packet 2-1
 - Trace of Successful Accounting 2-2
- Sample Error Messages 2-2

CHAPTER 3**Using WiMAX in Cisco Prime Access Registrar 3-1**

- WiMAX - An Overview 3-1
- WiMAX in Cisco Prime Access Registrar 3-2
 - Direct Interaction Between the ASN GW and Cisco Prime Access Registrar 3-3
 - Interaction Between ASN GW and Cisco Prime Access Registrar Through HA 3-6
 - Prepaid and Hot-Lining 3-7
- Configuring WiMAX in Cisco Prime Access Registrar 3-7
 - Configuring the Resource Manager for WiMAX 3-8
 - Configuring the Session Manager for WiMAX 3-9
 - Configuring the Query Service for WiMAX 3-9
 - Configuring WiMAX 3-10
- WiMAX - OMA-DM Provisioning Support with BEK Key 3-11

CHAPTER 4

Replication Log 4-1

- Frequently Asked Questions 4-1
- Replication Log Messages 4-2
 - Information Log Messages 4-3
 - Warning Log Messages 4-4
 - Error Log Messages 4-5
 - Log Messages You Should Never See 4-6

CHAPTER 6

Using On-Demand Address Pools 6-1

- Cisco-Incoming Script 6-3
 - How the Script Works 6-3
 - CiscoWithODAPIncomingScript 6-3
- Vendor Type CiscoWithODAP 6-4
- Configuring Cisco Prime Access Registrar to Work with ODAP 6-5
 - Configuring Prime Access Registrar to work with ODAP 6-5
 - Configuring the ODAP Detailed Instructions 6-5
 - Setting Up an ODAP UserList 6-5
 - Adding ODAP Users 6-6
 - Setting Up an ODAP-Users Service 6-7
 - Setting Up an ODAP Accounting Service 6-8
 - Adding Session Managers 6-8
 - Setting Up Resource Managers 6-9
 - Configuring Session Managers 6-14
 - Configure Clients 6-15
 - Save Your Configuration 6-16

CHAPTER 7

Wireless Support 7-1

- Mobile Node-Home Agent Shared Key 7-1
 - Use Case Example 7-1
 - Configuring User Attributes 7-2
- 3GPP2 Home Agent Support 7-3
 - Home-Agent Resource Manager 7-3
 - Load Balancing 7-3
 - Querying and Releasing Sessions 7-4
 - Access Request Requirements 7-5
 - New 3GPP2 VSAs in the Cisco Prime Access Registrar Dictionary 7-5
- Session Correlation Based on User-Defined Attributes 7-5
- Managing Multiple Accounting Start/Stop Messages 7-6

NULL Password Support	7-6
3GPP Compliance	7-7
SWa Access Authentication and Authorization	7-8
STa Access Authentication and Authorization	7-8
SWm Access Authentication and Authorization	7-9
SWd Access Authentication and Authorization	7-9
SWx Authentication Procedure	7-10
HSS Initiated Update of User Profile	7-10
S6b Authentication and Authorization Procedure	7-10
3GPP Call Flows	7-11
CLI for 3GPP Authorization	7-12
CLI for 3GPP Reverse Authorization	7-12
Voice over Wi-Fi (VoWiFi) Location Based Authentication	7-13

CHAPTER 8**Enforcement of Licensing Models 8-1**

TPS Licensing Features	8-1
Enforcement Rules	8-1
Notification Logs	8-2
Notification - SNMP Traps	8-2
TPS Logging Feature	8-3
Concurrent Session License Features	8-3
Sessions Enforcement Rules	8-4
Notification Logs	8-4
Notification - SNMP Traps	8-5
Session Logging Feature	8-5

CHAPTER 9**Logging Syslog Messages 9-1**

Syslog Messages	9-1
Example 1	9-2
Example 2	9-2
Configuring Message Logging	9-3
Configuring Syslog Daemon (syslogd)	9-4
Changing Log Directory	9-4
Managing the Syslog File	9-5
Using a cron Program to Manage the Syslog Files	9-5
Server Up/Down Status Change Logging	9-6
Header Formats	9-6
Example Log Messages	9-6

Logging Subscriber Data 9-7

CHAPTER 10

Troubleshooting Cisco Prime Access Registrar 10-1

- Gathering Basic Information 10-1
- Troubleshooting Quick Checks 10-2
 - Disk Space 10-2
 - Resource Conflicts 10-2
 - No Co-Existence With Cisco Network Registrar 10-2
 - Port Conflicts 10-3
 - Cisco Prime Access Registrar Log Files 10-3
 - Modifying File Sizes for Agent Server and MCD Server Logs 10-4
 - Using xtail to Monitor Log File Activity 10-4
 - Modifying the Trace Level 10-4
 - Installation and Server Process Start-up 10-5
- aregcmd and Cisco Prime Access Registrar Configuration 10-5
 - Running and Stopped States 10-5
- RADIUS Request Processing 10-7
- Other Troubleshooting Techniques and Resources 10-7
 - aregcmd Stats Command 10-7
 - Core Files 10-8
 - radclient 10-8
 - Cisco Prime Access Registrar Replication 10-8
- Checking Prime Access Registrar Server Health Status 10-8

APPENDIX A

Cisco Prime Access Registrar Tcl, REX, and Java Dictionaries A-1

- Tcl Attribute Dictionaries A-1
 - Attribute Dictionary Methods A-1
 - Tcl Environment Dictionary A-4
- REX Attribute Dictionary A-5
 - Attribute Dictionary Methods A-5
 - REX Environment Dictionary A-11
 - REX Environment Dictionary Methods A-11
- Java Attribute Dictionary A-13
 - Java Attribute Dictionary Methods A-13
 - Java Environment Dictionary A-16
 - Java Environment Dictionary Methods A-16
- Interface Extension A-17
 - Interface Extension Methods A-18

Interface ExtensionforSession	A-18
Interface Extensionforsession Methods	A-19
Interface Extensionwithinitialization	A-19
Interface Extensionwithinitialization Methods	A-20
Interface ExtensionforSessionwithinitialization	A-20
Interface Extensionforsessionwithinitialization Methods	A-20
Interface MarkerExtension	A-20
Variables in the Marker Extension Interface	A-21
Class Sessionrecord	A-24
Session Record Methods	A-24

APPENDIX B**Environment Dictionary B-1**

Cisco Prime Access Registrar Environment Dictionary Variables	B-1
Accepted-Profiles	B-2
Accounting-Service	B-2
Acquire-Dynamic-DNS	B-2
Acquire-Group-Session-Limit	B-2
Acquire-Home-Agent	B-2
Acquire-IP-Dynamic	B-2
Acquire-IPX-Dynamic	B-2
Acquire-IP-Per-NAS-Port	B-3
Acquire-Subnet-Dynamic	B-3
Acquire-User-Session-Limit	B-3
Acquire-USR-VPN	B-3
Allow-Null-Password	B-3
Authentication-Service	B-3
Authorization-Service	B-3
AuthorizationInfo	B-4
BackingStore-Env-Vars	B-4
Blacklisted-IMSI	B-4
Broadcast-Accounting-Packet	B-4
Cache-Attributes-In-Session	B-4
Current-Group-Count	B-4
Cache-Outer-Identity	B-4
Destination-IP-Address	B-4
Destination-Port	B-5
Dest-Translation-Type	B-5
Dest-Numbering-Plan	B-5
Dest-Encoding-Scheme	B-5
Dest-Nature-Of-Address	B-6

Dest-GT-Format **B-6**

Diameter-Application-Id **B-6**

Diameter-Command-Code **B-7**

Disable-Accounting-On-Off-Broadcast **B-7**

DSA-Response-Cache **B-7**

Dynamic-DNS-HostName **B-7**

Dynamic-Search-Filter **B-7**

Dynamic-Search-Path **B-7**

Dynamic-Search-Scope **B-7**

Dynamic-Service-Loop-Limit **B-8**

Dynamic-User-Password-Attribute **B-8**

EAP-Actual-Identity **B-8**

EAP-Authentication-Mode **B-8**

Enforce-Traffic-Throttling **B-8**

E-UTRANCellGlobalId **B-8**

FetchAuthorizationInfo **B-8**

Generate-BEK **B-8**

Group-Session-Limit **B-9**

HLR-GlobalTitle-Address **B-9**

HLR-GlobalTitle-Cached **B-9**

HLR-Translated-IMSI **B-9**

Ignore-Accounting-Signature **B-9**

IMSI **B-10**

Incoming-Translation-Groups **B-10**

Location-Capability **B-10**

Master-URL-Fragment **B-10**

Misc-Log-Message-Info **B-10**

MSISDN **B-10**

Notification-Code **B-10**

Notification-Service **B-11**

Outgoing-Translation-Groups **B-11**

Pager **B-11**

PoD/CoA **B-11**

Query-Service **B-11**

Re-Accounting-Service **B-12**

Re-Authentication-Service **B-12**

Re-Authorization-Service **B-12**

Reject-Reason **B-12**

Remote-Server **B-12**

Remove-Session-On-Acct-Stop **B-12**

Remote-Servers-Tried	B-13
Request-Authenticator	B-13
Request-Type	B-13
Require-User-To-Be-In-Authorization-List	B-14
Response-Type	B-14
Retrace-Packet	B-14
Send-PEAP-URI-TLV	B-14
Session-Key	B-14
Session-Manager	B-15
Session-Notes	B-15
Session-Service	B-15
Set-Session-Mgr-And-Key-Upon-Lookup	B-15
Skip-Session-Management	B-15
Skip-Overriding-Username-With-LDAP-UID	B-15
Skip-Overriding-UserName-With-PEAPIdentity	B-15
Source-IP-Address	B-16
Source-Port	B-16
SQL-Sequence	B-16
Subnet-Size-If-No-Match	B-16
Trace-Level	B-16
Unavailable-Resource	B-16
Unavailable-Resource-Type	B-17
UserDefined1	B-17
User-Authorization-Script	B-17
User-Group	B-17
User-Group-Session-Limit	B-17
User-Name	B-17
User-Profile	B-17
User-Session-Limit	B-17
Virtual-Server-Outgoing-Script	B-18
X509- Subject-Name	B-18
Internal Variables	B-18

APPENDIX C**RADIUS Attributes C-1**

RADIUS Attributes	C-1
Cisco Prime Access Registrar Attributes	C-1
RADIUS Attributes Numeric List	C-4
Vendor-Specific Attributes	C-13
3GPP VSAs	C-13

[3GPP2 VSAs](#) **C-15**
[ACC VSAs](#) **C-22**
[Altiga VSAs](#) **C-27**
[Ascend VSAs](#) **C-30**
[Bay Networks VSAs](#) **C-45**
[Cabletron VSAs](#) **C-46**
[Cisco Prime Access Registrar Internal VSAs](#) **C-46**
[Cisco VSAs](#) **C-48**
[Compatible VSAs](#) **C-51**
[Microsoft VSAs](#) **C-51**
[Nomadix VSAs](#) **C-53**
[RedBack VSAs](#) **C-53**
[RedCreek VSAs](#) **C-56**
[TACACS+ VSAs](#) **C-56**
[Telebit VSAs](#) **C-59**
[Unisphere VSAs](#) **C-59**
[USR VSAs](#) **C-60**
[WiMax](#) **C-85**
[WISPr](#) **C-85**
[XML](#) **C-86**

APPENDIX D

Support for REST API in Cisco Prime Access Registrar **D-1**

[REST API Framework](#) **D-1**
[REST API Services](#) **D-1**
[CoA and PoD REST APIs](#) **D-5**
[REST API Support for Query and Release Sessions](#) **D-6**



Overview

The chapter provides an overview of the RADIUS server, including connection steps, RADIUS message types, and using Cisco Prime Access Registrar (Prime Access Registrar) as a proxy server.

Prime Access Registrar is a 3GPP-compliant, 64-bit carrier-class RADIUS (Remote Authentication Dial-In User Service)/Diameter server that enables multiple dial-in Network Access Server (NAS) devices to share a common authentication, authorization, and accounting database.

Prime Access Registrar handles the following tasks:

- Authentication—determines the identity of users and whether they can be allowed to access the network
- Authorization—determines the level of network services available to authenticated users after they are connected
- Accounting—keeps track of each user’s network activity
- Session and resource management—tracks user sessions and allocates dynamic resources

Using a RADIUS server allows you to better manage the access to your network, as it allows you to store all security information in a single, centralized database instead of distributing the information around the network in many different devices. You can make changes to that single database instead of making changes to every network access server in your network.

Prime Access Registrar also allows you to manage the complex interconnections of the new network elements in order to:

- adequately manage the traffic
- perform appropriate load balancing for desired load distribution
- allow binding of different protocol interfaces corresponding to a subscriber/network element

Service providers transform their 3G and 4G wireless networks with complex services, tiered charging, converged billing, and more by introducing increasing numbers and types of Diameter-based network elements. LTE and IMS networks are the most likely to implement these new network elements—including Policy and Charging Rules Functions (PCRF), Home Subscriber Servers (HSS), Mobility Management Entities (MME), Online Charging Systems (OCS), and others. As a result, as the traffic levels grow, these wireless networks are becoming more difficult to manage and scale without the Prime Access Registrar infrastructure.

Prime Access Registrar allows GUI-based, CLI-based, and REST API-based configurations. For more details, see the “Using the Graphical User Interface” chapter of the [Cisco Prime Access Registrar 8.0 User Guide](#), the “Using the aregcmd Commands” chapter of the [Cisco Prime Access Registrar 8.0 Administrator Guide](#), and [Chapter D, “REST API Framework.”](#)

This chapter contains the following sections:

- [Prime Access Registrar Directory Structure](#)
- [Program Flow](#)
- [Service and Ports Used in Prime Access Registrar](#)

Prime Access Registrar Directory Structure

The installation process populates the `/opt/CSCOar` directory with the subdirectories listed in [Table 1-1](#).

Table 1-1 */opt/CSCOar Subdirectories*

Subdirectory	Description
<code>.system</code>	Contains ELF's, or binary SPARC executables that should not be run directly.
<code>bin</code>	Contains shell scripts and programs frequently used by a network administrator; programs that can be run directly.
<code>conf</code>	Contains configuration files.
<code>data</code>	Contains the <code>radius</code> directory, which contains session backing files; and the <code>db</code> directory, which contains configuration database files.
<code>examples</code>	Contains documentation, sample configuration scripts, and shared library scripts.
<code>lib</code>	Contains Prime Access Registrar software library files.
<code>logs</code>	Contains system logs and is the default directory for RADIUS accounting.
<code>odbc</code>	Contains Prime Access Registrar ODBC files.
<code>scripts</code>	Contains sample scripts that you can modify to automate configuration, and to customize your RADIUS server.
<code>temp</code>	Used for temporary storage.
<code>ucd-snmp</code>	Contains the UCD-SNMP software Prime Access Registrar uses.
<code>usrbin</code>	Contains a symbolic link that points to <code>bin</code> .

Program Flow

When a NAS sends a request packet to Prime Access Registrar with a name and password, Prime Access Registrar performs the following actions. [Table 1-2](#) describes the flow without regard to scripting points.

Table 1-2 *From Access-Request to Access-Accept*

Prime Access Registrar Server Action	Explanation
Receives an Access-Request	The Prime Access Registrar server receives an Access-Request packet from a NAS.
Determines whether to accept the request	The Prime Access Registrar server checks to see if the client's IP address is listed in <code>/Radius/Clients/<Name>/<IPAddress></code> .

Table 1-2 From Access-Request to Access-Accept (continued)

Prime Access Registrar Server Action	Explanation
Invokes the policy SelectPolicy if it exists	The Prime Access Registrar Policy Engine provides an interface to define and configure a policy and to apply the policy to the corresponding access-request packets.
Performs authentication and/or authorization	Directs the request to the appropriate service, which then performs authentication and/or authorization according to the type specified in /Radius/Services/<Name>/<Type> .
Performs session management	Directs the request to the appropriate Session Manager.
Performs resource management for each Resource Manager in the SessionManager	Directs the request to the appropriate resource manager listed in /Radius/SessionManagers/<Name>/<ResourceManagers>/<Name> , which then allocates or checks the resource according to the type listed in /Radius/<ResourceManagers>/<Name>/<Type> .
Sends an Access-Accept	Creates and formats the response, and sends it back to the client (NAS).

Prime Access Registrar supports Diameter with Extensible Authentication Protocol (EAP) functionality to enable authentication between NAS and a backend NAS Diameter authentication server. For more information, see the “Diameter” chapter of the *Cisco Prime Access Registrar 8.0 User Guide*.

Prime Access Registrar also support 3GPP compliance by implementing a set of protocols. To understand more about the 3GPP AAA server support and the call flow, see the “Wireless Support” chapter of the *Cisco Prime Access Registrar 8.0 Reference Guide*.

Scripting Points

Prime Access Registrar lets you invoke scripts you can use to affect the Request, Response, or Environment dictionaries. This section contains the following topics:

- [Client Scripting](#)
- [Client or NAS Scripting Points](#)
- [Authentication and/or Authorization Scripting Points](#)

Client Scripting

Though Prime Access Registrar allows external code (Tcl/C/C++/Java) to be used by means of a script, custom service, policy engine, and so forth, while processing request, response, or while working with the environment dictionaries, it shall not be responsible for the scripts used and will not be liable for any direct, indirect, incidental, special, exemplary, or consequential damages (including, but not limited to, procurement of substitute goods or services; loss of use, data, or profits; or business interruption) however caused and on any theory of liability, whether in contract, strict liability, or tort (including negligence or otherwise) arising in any way out of the use of the script.

Prime Access Registrar also allows you to define internal scripts, by which you can add, modify, or delete attributes in the request, response, and environment dictionaries for RADIUS, Diameter, and TACACS+.

Client or NAS Scripting Points

Table 1-3 shows the location of the scripting points within the section that determines whether to accept the request from the client or NAS. Note, the scripting points are indicated with the asterisk (*) symbol.

Table 1-3 Client or NAS Scripting Points

Action	Explanation
Receives an Access-Request.	The Prime Access Registrar RADIUS server receives an Access-Request packet from a NAS.
Determines whether to accept the request.	The client's IP address listed in /Radius/Clients/<Name>/IPAddress .
*Executes the server's incoming script.	A script referred to in /Radius/IncomingScript .
*Executes the vendor's incoming script.	The vendor listed in /Radius/Clients/Name/Vendor , and is a script referred to in /Radius/Vendors/<Name>/IncomingScript .
*Executes the client's incoming script.	A script referred to in /Radius/Clients/<Name>/IncomingScript .
Determines whether to accept requests from this specific NAS.	/Radius/Advanced/RequireNASsBehindProxyBeInClientList set to TRUE.
	The NAS's Identifier listed in /Radius/Clients/<Name> , or its NAS-IP-Address listed in /Radius/Clients/<Name>/IPAddress .
If the client's IP address listed in /Radius/Clients/<Name>/IPAddress is different:	
*Executes the vendor's incoming script.	The vendor listed in /Radius/Clients/Name/Vendor , and is a script referred to in /Radius/Vendors/<Name>/IncomingScript .
*Executes the client's incoming script.	The client listed in the previous /Radius/Clients/Name , and is a script referred to in /Radius/Clients/Name/IncomingScript .

Authentication and/or Authorization Scripting Points

Table 1-4 shows the location of the scripting points within the section that determines whether to perform authentication and/or authorization.

Table 1-4 Authentication and Authorization Scripting Points

Action	Explanation
Determines Service to use for authentication and/or authorization.	The Service name defined in the Environment dictionary variable Authentication-Service , and is the same as the Service defined in the Environment dictionary variable Authorization-Service .
	The Service name referred to by /Radius/DefaultAuthenticationService , and is the same as the Service defined in /Radius/DefaultAuthorizationService .
Performs authentication and/or authorization.	If the Services are the same, perform authentication and authorization.
	If the Services are different, just perform authentication.

Table 1-4 Authentication and Authorization Scripting Points (continued)

Action	Explanation
*Executes the Service's incoming script.	A script referred to in /Radius/Services/<Name>/IncomingScript .
Performs authentication and/or authorization.	Based on the Service type defined in /Radius/Services/<Name>/<Type> .
*Executes the Service's outgoing script.	A script referred to in /Radius/Services/<Name>/OutgoingScript .
Determines whether to perform authorization.	The Service name defined in /Radius/DefaultAuthorizationService , if different than the Authentication Service.
*Executes the Service's incoming script.	A script referred to in /Radius/Services/<Name>/IncomingScript .
Performs authorization.	Checks that the Service type is defined in /Radius/Services/<Name>/<Type> .
*Executes the Service's outgoing script.	A script referred to in /Radius/Services/<Name>/OutgoingScript .

Script Processing Hierarchy

For request packets, the script processing order is from the most general to the most specific. For response packets, the processing order is from the most specific to the most general.

[Table 1-5](#), [Table 1-6](#), and [Table 1-7](#) show the overall processing order and flow: (1-6) Incoming Scripts, (7-11) Authentication/Authorization Scripts, and (12-17) Outgoing Scripts.



Note

The client and the NAS can be the same entity, except when the immediate client is acting as a proxy for the actual NAS.

Table 1-5 Prime Access Registrar Processing Hierarchy for Incoming Scripts

Overall Flow Sequence	Incoming Scripts
1)	Radius.
2)	Vendor of the immediate client.
3)	Immediate client.
4)	Vendor of the specific NAS.
5)	Specific NAS.
6)	Service.

Table 1-6 *Prime Access Registrar Processing Hierarchy for Authentication/Authorization Scripts*

Overall Flow Sequence	Authentication/Authorization Scripts
7)	Group Authentication.
8)	User Authentication.
9)	Group Authorization.
10)	User Authorization.
11)	Session Management.

Table 1-7 *Prime Access Registrar Processing Hierarchy for Outgoing Script*

Overall Flow Sequence	Outgoing Scripts
12)	Service.
13)	Specific NAS.
14)	Vendor of the specific NAS.
15)	Immediate client.
16)	Vendor of the immediate client.
17)	Radius.

Service and Ports Used in Prime Access Registrar

Secure Shell Service

SSH Daemon(SSHD) is the daemon program which is used for ssh(1). It provides secure shell encrypted communications between two hosts over network.

In case of Prime Access Registrar, SSH is used to connect to Prime Access Registrar server and configure Prime Access Registrar using CLI.

Ports

The following table lists the port numbers that are used for various services in Prime Access Registrar for AAA.

Table 1-8 Ports Used in Prime Access Registrar

Names	Description	Port Numbers	Service of the Ports	Access from Network Node	Configuration Setting	Protocol Name and Reference
AR AAA Service	The RADIUS packet listener uses these ports by default.	1812-udp	RADIUS AA	Network Access Server	You can change the default or define new RADIUS port numbers under <i>/Radius/Advanced/Ports</i> in the CLI and <i>Configuration > Advanced > Ports</i> in the GUI.	RADIUS AA (Authentication, and Authorization) service.
		1813-udp radacct	RADIUS Accounting	Network Access Server	You can change the default or define new RADIUS port numbers under <i>/Radius/Advanced/Ports</i> in the CLI and <i>Configuration > Advanced > Ports</i> in the GUI.	RADIUS Accounting service. Refer to RFC 6733 for more information.
		3799-udp	RADIUS Dynamic Authorization (CoA/PoD)	Network Access Server	N/A	RADIUS Dynamic authorization which is used with (CoA/PoD) packet types.
AR AAA Service	The TACACS+ packet listener uses this port by default.	49/tcp	TACACS+	Network Access Server	You can change the default or define new RADIUS port numbers under <i>/Radius/Advanced/Ports</i> in the CLI and <i>Configuration > Advanced > Ports</i> in the GUI.	TACACS+ based on AAA service (Authentication, Authorization, and Accounting). Refer to RFC 1491 for more information.

Table 1-8 Ports Used in Prime Access Registrar (continued)

Names	Description	Port Numbers	Service of the Ports	Access from Network Node	Configuration Setting	Protocol Name and Reference
AR AAA Service	The DIAMETER packet listener uses these ports by default.	3868/tcp	DIAMETER	Network Access Server	You can enable or disable this service in <i>Radius/Advanced/Diameter/IsDiameterEnabled</i> .	DIAMETER AA Service (Authentication, and Authorization) by tcp protocol. Refer to RFC 4005 for more information.
		3868/sctp	DIAMETER	Network Access Server	You can enable or disable this service in <i>Radius/Advanced/Diameter/IsDiameterEnabled¹</i> .	DIAMETER AA Service (Authentication, and Authorization) by SCTP protocol.
AR MCD Server	MCD is used to store Prime Access Registrar configuration.	2786/tcp	MCD database Server	This service can be accessed from local host by Prime Access Registrar radius and server agent process.	N/A	Proprietary IPC mechanism.
AR Server Agent	AR Server Agent is used to log all the activities of Prime Access Registrar processes.	2785/tcp	Internal IPC mechanism	This service can be accessed from local host by Prime Access Registrar radius and server agent process.	N/A	Proprietary IPC mechanism.

Table 1-8 Ports Used in Prime Access Registrar (continued)

Names	Description	Port Numbers	Service of the Ports	Access from Network Node	Configuration Setting	Protocol Name and Reference
AR GUI Service	Prime Access Registrar GUI processes use these ports by default.	8080/tcp	AR HTTP service	This service is accessible from any end user desktop browser using http protocol.	You can change the default port numbers in editing the <i>server.xml</i> file.	Standard HTTP protocol
		8443/tcp	AR HTTPS service	This service is accessible from any end user desktop browser using https protocol.	You can change the default port numbers in editing the <i>server.xml</i> file.	Standard HTTPS protocol
		8005/tcp	Internally used by Apache Tomcat container	Local host	You can change the default port numbers in editing the <i>server.xml</i> file..	To shutdown Tomcat JVM service instance.
		8009/tcp	Apache Tomcat container AJP 1.3 Connector	Local host	You can change the default port numbers in editing the <i>server.xml</i> file.	Apache JServ protocol. AJP 1.3 Connector.
SNMP Master Agent	SNMP Packet listener supports these ports by default.	161/udp	Simple Net Management Protocol	This service is accessible from any network management host.	Refer to net-snmp documentation for more information.	SNMP MIBs server
		162/udp	Traps for SNMP	This service is accessible to any SNMP trap client when you want to use net-snmp snmptrap daemon as a SNMP trap server.	Refer to SNMP chapter of the Cisco Prime Access Registrar 8.0 User Guide for more information.	SNMP trap server

Table 1-8 Ports Used in Prime Access Registrar (continued)

Names	Description	Port Numbers	Service of the Ports	Access from Network Node	Configuration Setting	Protocol Name and Reference
CPAR SIGTRAN Stack (radius)	Listen on these ports for internal configuration from stack manager events	9041/TCP	Stack Manager Configuration/Event Listener	This service can be accessed from local host by Prime Access Registrar – Radius Process.	N/A	CPAR Specific IPC Protocol implementation
		9041/UDP	Stack Manager Configuration/Event Listener	This service can be accessed from local host by Prime Access Registrar – Radius Process.	N/A	CPAR Specific IPC Protocol implementation
CPAR SIGTRAN stack manager(m3ua-stackmgr)	Configure stack and receive configuration from m3ua-client	9100/TCP	SIGTRAN Stack Manager	This service can be accessed from local host by Prime Access Registrar – Radius Process and m3ua-client Process.	N/A	CPAR Specific IPC Protocol implementation
		9100/UDP	SIGTRAN Stack Manager	This service can be accessed from local host by Prime Access Registrar – Radius Process and m3ua-client Process.	N/A	CPAR Specific IPC Protocol implementation

1. If an error occurs while starting the Diameter SCTP interface, add `install sctp /bin/true` to `/etc/modprobe.conf`. Then, configure port 3868 with Type Diameter-TCP using `aregcmd` in `/Radius/Advanced/Ports`.

Related Documentation

For a complete list of Cisco Prime Access Registrar documentation, see the [Cisco Prime Access Registrar 8.0 Documentation Overview](#).

**Note**

We sometimes update the documentation after original publication. Therefore, you should also review the documentation on Cisco.com for any updates.

Obtain Documentation and Submit a Service Request

For information on obtaining documentation, using the Cisco Bug Search Tool (BST), submitting a service request, and gathering additional information, see [What's New in Cisco Product Documentation](#).

To receive new and revised Cisco technical content directly to your desktop, you can subscribe to the [What's New in Cisco Product Documentation RSS feed](#). The RSS feeds are a free service.



RADIUS Accounting Log

This chapter describes RADIUS accounting log information in Cisco Prime Access Registrar (Prime Access Registrar). For more information about RADIUS accounting in Prime Access Registrar, see the “RADIUS Accounting” chapter of the *Cisco Prime Access Registrar 8.0 User Guide*.

This chapter contains the following sections:

- [Accounting Log Examples](#)
- [Sample Error Messages](#)

Accounting Log Examples

This section provides examples of accounting log information recorded in an accounting log file. This section contains the following topics:

- [Accounting-Start Packet](#)
- [Accounting Stop Packet](#)
- [Trace of Successful Accounting](#)

Accounting-Start Packet

The Accounting-Start packet describes the type of service and the user attempting to login.

```
Tue, 06 Dec 2013 12:32:17.036
  User-Name = bob
  NAS-Port = 1
  Framed-IP-Address = 1.1.1.1
  Class = yahoo.com
  NAS-Identifier = localhost
  Acct-Status-Type = Start
  Acct-Session-Id = 1
```

Accounting Stop Packet

When the session ends, the NAS sends an Accounting Stop packet that describe the type of service that was delivered. The Accounting Stop packet might also contain statistics such as elapsed time, input and output octets, or input and output packets.

```
Tue, 06 Dec 2013 12:32:17.036
User-Name = bob
NAS-Port = 1
Framed-IP-Address = 1.1.1.1
Class = yahoo.com
NAS-Identifier = localhost
Acct-Status-Type = Stop
Acct-Session-Id = S209524
```

Trace of Successful Accounting

The following is a trace example of a successful accounting sequence.

```
11/12/2013 21:27:58: P6699: Packet received from 10.1.9.204
11/12/2013 21:27:58: P6699: Trace of Accounting-Request packet
11/12/2013 21:27:58: P6699:   identifier = 127
11/12/2013 21:27:58: P6699:   length = 45
11/12/2013 21:27:58: P6699:   reqauth = ed:d6:a6:ae:57:09:b8:55:a8:d4:c4:0d:f7:be:06:2a
11/12/2013 21:27:58: P6699:   User-Name = bob
11/12/2013 21:27:58: P6699:   NAS-Identifier = localhost
11/12/2013 21:27:58: P6699:   Acct-Status-Type = Start
11/12/2013 21:27:58: P6699:   Acct-Session-Id = 1
11/12/2013 21:27:58: P6699: Using Client: cubone (10.1.9.204)
11/12/2013 21:27:58: P6699: Using NAS: localhost (127.0.0.1)
11/12/2013 21:27:58: P6699: Request is directly from a NAS: FALSE
11/12/2013 21:27:58: P6699: Running NAS localhost (127.0.0.1) IncomingScript: ParseServiceHints
11/12/2013 21:27:58: P6699:   Rex: environ->get( "Request-Type" ) -> "Accounting-Request"
11/12/2013 21:27:58: P6699:   Rex: environ->get( "User-Name" ) -> ""
11/12/2013 21:27:58: P6699:   Rex: request->get( "User-Name", 0 ) -> "bob"
11/12/2013 21:27:58: P6699: Accounting with Service accserv1
11/12/2013 21:27:58: P6699: Trace of Accounting-Response packet
11/12/2013 21:27:58: P6699:   identifier = 127
11/12/2013 21:27:58: P6699:   length = 20
11/12/2013 21:27:58: P6699:   reqauth = a6:40:45:02:4c:8b:6f:00:4f:18:4a:b8:fe:28:9d:f4
11/12/2013 21:27:58: P6699: Sending response to 10.1.9.204
```

Sample Error Messages

The following are sample accounting error messages:

Error message logged in name_radius_1_log file when the disk is full and AR is trying to record an accounting request.

```
05/15/2013 2:52:29 name/radius/1 Error System 0 Failed to write records to the accounting
report file '/usr/accounting.log' - accounting records lost
```



Note

An Accounting-Response packet is sent only if the accounting record is written to the file in the disk. If the disk is full, an Accounting-Response packet is not sent.

Error message logged in name_radius_1_log file when the path specified in the FilenamePrefix property is not valid.


```
05/15/2013 4:11:12 name/radius/1 Error Configuration 0 Error in property
/Radius/Services/CiscoAccounting/FilenamePrefix: Unable to write to the specified report
file prefix (/tmp/AR/accounting)
```




Using WiMAX in Cisco Prime Access Registrar

Cisco Prime Access Registrar (Prime Access Registrar) supports Worldwide Interoperability for Microwave Access (WiMAX) technology. This feature support in Prime Access Registrar complies with the WiMAX forum NWG_R1_V1.3.1-Stage-3 specifications.

This chapter contains the following sections:

- [WiMAX - An Overview](#)
- [WiMAX in Cisco Prime Access Registrar](#)

WiMAX - An Overview

WiMAX is a standards-based wireless technology that offers high throughput broadband connections over long distances. WiMAX can be used for a number of applications, including “last mile” broadband connections, fixed and mobile cellular service, hotspots and cellular backhaul, and high-speed enterprise connectivity for business. WiMAX is based on the IEEE 802.16d standard for fixed wireless, and the 802.16e standard for mobile wireless. This standard is appealing to customers because it allows mass production of chipsets that reduce CPE costs, ensures multi-vendor interoperability, and reduces investment risk for operators.

The architectural framework of a WiMAX network consists of the Access Service Network (ASN), the Connectivity Service Network (CSN), and a AAA Server. An Access Service Network is a set of network functions that provide radio access to a WiMAX subscriber. The ASN typically provides functions such as network discovery and selection, connectivity service between the MSS and CSN, Radio Resource Management, Multicast and Broadcast Control, Intra-ASN mobility, Paging, and Location Management. The WiMAX architecture consists of both mobile and fixed subscribers, as well as the ASN and CSN.

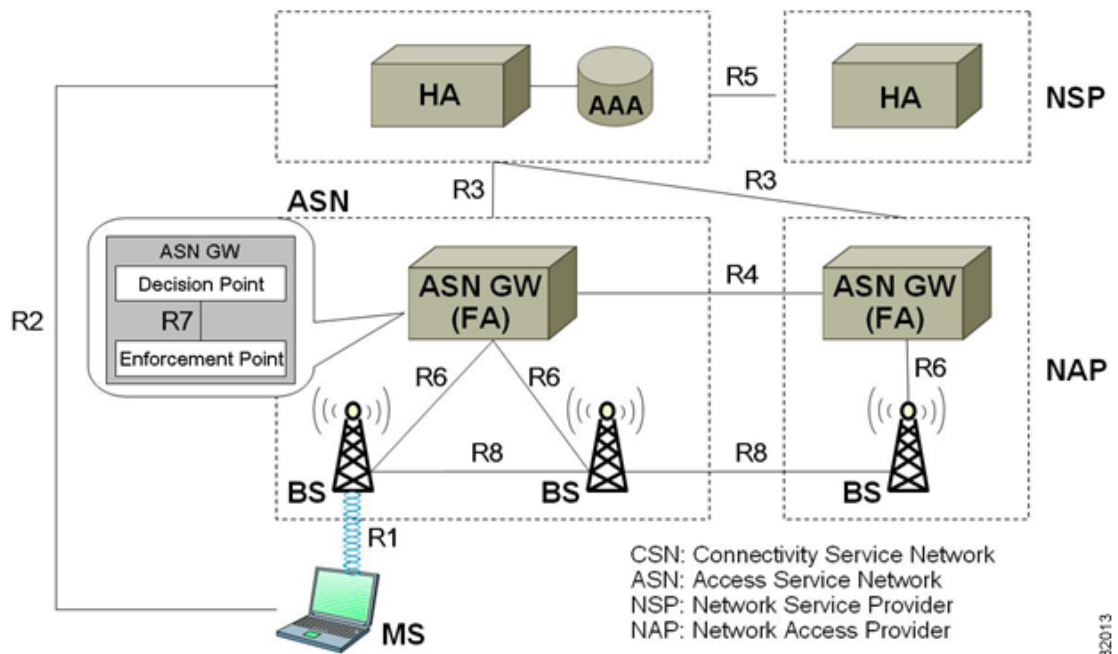
A CSN is defined as a set of network functions that provide IP connectivity services to the WiMAX subscribers. CSN might comprise network elements such as Routers, Home Agent, AAA proxy/servers, user databases, Policy Servers, Content Service Gateways, Service Selection Gateways, and interworking gateway devices.

The Access Service Network is connected to a home network HCSN (Home Connectivity Service Network) via at least one visited network (Visited Connectivity Service Network VCSN) or intermediate network.

The Visited CSN plays the role of a AAA proxy. During all AAA interaction the VCSN AAA server acts as a RADIUS proxy transporting RADIUS packets between the ASN and the HCSN.

Figure 3-1 describes the network reference model of a typical WiMAX scenario.

Figure 3-1 WiMAX Network Reference Model



WiMAX in Cisco Prime Access Registrar

Prime Access Registrar uses the Extensible Authentication Protocol (EAP) to enable the WiMAX feature. It also caches the IP attributes and Mobility Keys that are generated during network access authentication. To enable caching of the WiMAX attributes, you must configure the respective resource managers. See [Configuring the Resource Manager for WiMAX, page 3-8](#), for information on configuring resource manager. [Figure 3-2](#) shows the WiMAX workflow in Prime Access Registrar.

If there is no VCSN, then the HAAA will send the Access-Accept to ASNGW. Otherwise, the HAAA sends the Access-Accept to VAAA. The VAAA then generates the visited HA-RK Key with SPI and Lifetime and sends the access-accept to ASNGW.

The authentication methods followed by Prime Access Registrar are:

- User-only
- Device-only
- Single-EAP Device or User authentication

**Note**

Prime Access Registrar 4.2 does not support Double-EAP authentication.

Prime Access Registrar uses the following values to identify the service-type:

- Framed—for initial authentication
- Authenticate-Only—for reauthentication
- Authorize-Only—for prepaid request

**Note**

Prepaid attributes can also be sent in the initial authentication.

The attributes contained in this flow are listed in [Table 3-1](#). For detailed information on the attributes refer to the WiMAX forum NWG_R1_V1.3.1-Stage-3 specifications document.

Table 3-1 *Attributes: ASN GW-Prime Access Registrar Flow*

Attribute	Description
User-Name	Must be present. This attributes gets the NAI from the EAP-Response/Identity.
Service-Type	Must be present and the value is Framed, Authenticate-Only or Authorize-Only.
WiMAX Capability	This attribute is chosen by the ASN GW. The request to the Prime Access Registrar is provided through the WiMAX-Capability attribute. The server might respond with the chosen WiMAX Capability.
NAS-Port-Type	The request must contain this attribute with the value 27. This indicates Wireless IEEE 802.16 port when coming from a WiMAX ASN.
Calling-Station-ID	The request must contain this attribute with the value set to the MAC address of the device in binary format.
Device-Authentication-Indicator	The request might contain this attribute to indicate whether the device authentication was performed or not and the result of the action.
CUI	The NAS might intimate the support for CUI by sending the CUI attribute with the value 'null'.
GMT-Time-Zone-Offset	The request must contain the offsets in seconds from the GMT at the NAS.

Table 3-1 *Attributes: ASN GW-Prime Access Registrar Flow (continued)*

Attribute	Description
Framed-IP-Address	This is the CMIPv4 Home address to be assigned to the MN. If this attribute is not present then the Home address is derived by the ASN from MIP procedures or through DHCP.
WiMax-Session-ID	This attribute shall not be present in the initial authentication. The value is a unique identifier in the home realm for this session as set by the HAAA(Prime Access Registrar) in the Access-Accept, when the authentication is successful and it will be included in all subsequent requests from the NAS, such as online accounting.
MSK	The MSK shall be provided by the AAA Server as a result of successful EAP-authentication. MSK can be transmitted using either the MS-MPPE-Keys or the MSK attribute.
Packet-Flow-Descriptor	The pre-provisioned service flow which might be present in the Access-Accept packet.
QoS-Descriptor	The pre-provisioned service flow which might be present in the Access-Accept packet, if configured in Prime Access Registrar.
BS-ID	Might be present in the Access-Request packet which will identify NAP-ID base station. If both NAP-ID and BS-ID are present, the NAP-ID will be ignored.
Acct-Interim-Interval	Sent in the Access-Accept packet. It indicates the accounting update intervals.

Prime Access Registrar generates a few more attributes upon successful authentication. These attributes are described in [Table 3-2](#).

Table 3-2 *Additional Attributes: ASN-GW Prime Access Registrar Flow*

Attribute	Description
hHA-IP-MIP4	The IP address of the home HA allocated for the incoming request.
vHA-IP-MIP4	The IP address of the visited HA. To be used by the PMIP4 client.
MN-hHA-MIP4-KEY	The MN-hHA key is used for MIP4 procedures.
MN-hHA-MIP4-SPI	The SPI associated with the MN-hHA-MIP4-KEY.
MN-vHA-MIP4-KEY	The MN-vHA key is used for MIP4 procedures.

Table 3-2 Additional Attributes: ASN-GW Prime Access Registrar Flow (continued)

Attribute	Description
MN-vHA-MIP4-SPI	The SPI associated with the MN-vHA-MIP4-KEY.
FA-RK-KEY	The FA-RK key will be used at ASN GW to derive MN-FA for MIP4 procedures.

**Note**

A policy engine can parse the NAI decoration and conclude the type of authentication method for the incoming access-request for passing on to WiMAX service.

Interaction Between ASN GW and Cisco Prime Access Registrar Through HA

After Prime Access Registrar returns the Access-Accept to the ASN GW, the mobile node, which initially sent the request, sends a registration request to the ASN GW. The ASN GW receives this request and sends an Access-Request to the HA. A Query-Request will be sent to the Prime Access Registrar by HA to receive the security context for authenticating the FA.

Prime Access Registrar identifies the request as HA query request, if:

- the WiMAX mobility attribute is present
- the NAS-Port-Type attribute is absent

Prime Access Registrar checks for a valid session in the session cache based on NAI and sends an Access-Accept to the HA.

Table 3-3 HAAA Cached Attributes

Attribute	Description
Pseudo Identity	As received from the MS in the NAI in the EAP-Response/Identity. The HAAA is required to correlate this to the true identity of the user.
NAS-ID/NAS-IP address	One or both of these parameters are cached by the HAAA. This is required to locate the serving NAS.
Framed-IP Address	The IP address allocated to the user session. This information is useful in identifying the session during AAA dynamic procedures.
MIP-RK, hHA-RK, FA-RK, MN-hHA	Mobility keys generated during network access authentication. These keys are cached and used by the network for mobility authentication.
hHA-IP address	The IP address of the home HA assigned to the MS.

Table 3-4 VAAA Cached Attributes

Attribute	Description
vHA-RK, vHA-RK-SPI, vHA-RK Lifetime, MN-vHA	Mobility keys generated during network access authentication. These keys are cached and used by the network for mobility authentication.
vHA-IP address	The IP address of the visited HA assigned to the MS.

**Note**

Prime Access Registrar responds with the correct keys back to the HA based on the NAI in **User-Name** attribute. Prime Access Registrar returns an Access-Reject if it does not find a valid session for the NAI during the user authentication and authorization or if there are other errors.

Prepaid and Hot-Lining

Prime Access Registrar supports prepaid and hot-lining flows for WiMAX. These are supported by the existing mechanisms.

Configuring WiMAX in Cisco Prime Access Registrar

A new service type named **wimax** will be used for the WiMAX feature in Prime Access Registrar. **aregcmd** command is used to configure WiMAX in Prime Access Registrar. WiMAX service contains—Session Manager (with a session-cache resource manager and HA resource manager), Query Service that is connected to the session manager configured for this service, and Prepaid Service, which are required to connect all the flows appearing in Prime Access Registrar for WiMAX. This service will be used as a container for the new key generation modules and the existing modules such as EAP services.

Configuring WiMAX in Prime Access Registrar involves configuration of:

- Resource Manager for WiMAX
- Session Manager for WiMAX
- Query Service for WiMAX
- WiMAX properties

This section contains the following topics:

- [Configuring the Resource Manager for WiMAX](#)
- [Configuring the Session Manager for WiMAX](#)
- [Configuring the Query Service for WiMAX](#)
- [Configuring WiMAX](#)

Configuring the Resource Manager for WiMAX

You must configure the following two Resource Managers:

- HA (home-agent or home-agent-ipv6)
- HA Cache (session-cache)

The HA Resource Manager must contain the IP ranges covering all the HA IP addresses that are to be assigned in round-robin. You must configure the HA Cache Resource Manager to cache the mobility keys (Table 3-3).



Note

The HA Resource Manager allocates the IP addresses to the HA. If you do not configure the HA Resource Manager properly, Prime Access Registrar will not generate some of the keys, which result in an Access-Reject by the NAS.

The following shows the sample configuration for HA:

```
[ /Radius/ResourceManagers/HA ]
Name = HA
Description =
Type = home-agent
Home-Agent-IPAddresses/
Entries 1 to 1 from 1 total entries
Current filter: <all>
209.165.200.225-209.165.200.254/
```

The following shows the sample configuration for HA Cache in HAAA:

```
[ /Radius/ResourceManagers/HA-Cache ]
Name = HA-Cache
Description =
Type = session-cache
OverwriteAttributes = TRUE
QueryKey = User-Name
PendingRemovalDelay = 10
AttributesToBeCached/
  1. WiMax-Session-ID
  2. hHA-RK-Key
  3. hHA-RK-SPI
  4. MN-hHA-MIP4-Key
  5. hHA-RK-Lifetime
  6. MIP-RK
```

The following shows the sample configuration for HA Cache in VAAA:

```
[ /Radius/ResourceManagers/HA-Cache ]
Name = HA-Cache
Description =
Type = session-cache
OverwriteAttributes = TRUE
QueryKey = User-Name
PendingRemovalDelay = 10
AttributesToBeCached/
  1. vHA-RK-Key
  2. vHA-RK-SPI
  3. MN-vHA-MIP4-Key
  4. vHA-RK-Lifetime
```

When the OverwriteAttributes value is set as TRUE, the newly generated mobility keys will be cached with the session record. By default, the value is FALSE.

The HA-RK-Lifetime attribute type must be of type STRING instead of UINT32 under `/Radius/advanced/attribute\ dictionary/vendor-Specific/vendors/wimax/subAttribute\ Dictionary`.

**Note**

For generating RRQ-MN-HA key, we must configure MIP-RK in the AttributesToBeCached list.

Configuring the Session Manager for WiMAX

Before configuring WiMAX service, you must configure a session manager for WiMAX with a HA and session cache resource manager. The following shows an example configuration of a session manager with HA and session cache resource managers.

```
[ /Radius/SessionManagers/session-mgr-2 ]
Name = session-mgr-2
Description =
IncomingScript =
OutgoingScript =
AllowAccountingStartToCreateSession = FALSE
SessionTimeout =
PhantomSessionTimeout =
SessionKey =
ResourceManagers/
  1. HA-Cache
  2. HA
```

**Note**

If a default session manager is configured with the same key as that of the WiMAX session manager, the incoming WiMAX request will fail.

Configuring the Query Service for WiMAX

When you configure a query service for the WiMAX service in Prime Access Registrar, you must refer it to the WiMAX Session Manager that you created. While configuring WiMAX, you must refer the **WiMAX-Query-Service** parameter to a valid Query Service.

You must configure the Query key as the **User-Name** attribute, which contains the NAI. You must also configure the query service to return all the relevant mobility keys as described in [Table 3-5](#).

Table 3-5 *Mobility Keys*

Key	Generated By	Used At
MN-HA-CMIP4	MN and HAAA	HA and MN
MN-HA-PMIP4	MN and HAAA	HA and PMIP4 client
MN-HA-CMIP6	MN and HAAA	MN and HA
FA-RK	MN and HAAA	MN and Authenticator
MN-FA	MN and Authenticator	FA and MN or PMIP4 client
HA-RK	HAAA or VAAA	HA and Authenticator
FA-HA	HA and Authenticator	HA and FA

The following shows a sample configuration for a WiMAX Query Service:

```
[./haQueryService ]
Name = haQueryService
Description =
Type = radius-query
IncomingScript~ =
OutgoingScript~ =
SessionManagersToBeQueried/
1. session-mgr-2
AttributesToBeReturned/
1. WiMax-Session-ID
2. HA-RK-Key
```



Note

If AttributesToBeReturned is not configured, all the cached attributes will be returned.

Configuring WiMAX

When you configure the WiMAX service under **/Radius/Services**, you must set its type to **wimax** and provide the following configuration options:

```
[ //localhost/Radius/Services/wimax ]
Name = wimax
Description =
Type = wimax
IncomingScript~ =
OutgoingScript~ =
OutagePolicy~ = RejectAll
OutageScript~ =
HA-RK-Key = cisco112
HA-RK-LifeTime = 60
WiMAX-Authentication-Service = None
WiMAX-Session-Manager = None
WiMAX-Query-Service = None
WiMAX-Prepaid-Service = None
Allow-HAAA-To-Include-Keys = TRUE
Require-MSK = False
```

The syntax to generate the a WiMAX request from radclient is
simple_wimax_asn_test bob(username) bob(password)

Table 3-6 WiMAX Service Parameters

Parameter	Description
Name	Required; inherited from the upper directory.
Description	An optional description of the service.
Type	Must be set to wimax for WiMAX service.
IncomingScript	Optional.
OutgoingScript	Optional.
OutagePolicy	Required; must be set to AcceptAll , DropPacket , or RejectAll . Default is DropPacket .

Table 3-6 WiMAX Service Parameters (continued)

Parameter	Description
OutageScript	Optional. If you set this property to the name of a script, Prime Access Registrar runs it when an outage occurs. This property allows you to create a script that notifies you when the RADIUS server detects a failure.
HA-RK-Key	Used as the base key to generate random HA-RK-Key for all the HAs that are configured in Prime Access Registrar. By default, the value is <code>cisco112</code> . You can change this value.
HA-RK-LifeTime	Used as time (in minutes) to regenerate the HA-RK-Keys based on its lifetime.
WiMAX-Authentication-Service	A valid eap service which can be used for WiMAX authentication. By default, this value is <code>none</code> . For VAAA, it should be configured with valid radius proxy service.
WiMAX-Session-Manager	A valid session manager which has HA and HA Cache as resource managers. By default, this value is <code>none</code> .
WiMAX-Query-Service	A valid RADIUS query service configured with WiMAX session manager. By default, this value is <code>none</code> .
WiMAX-Prepaid-Service	A valid prepaid service can be given to carry out the prepaid functionality of WiMAX. Otherwise this value is set to <code>none</code> .
Allow-HAAA-To-Include-Keys	If this is set, the HAAA will include the <code>hHA-RK-Key</code> , <code>hHA-RK-SPI</code> and <code>hHA-RK-Lifetime</code> in the <code>Access-Accept</code> . Otherwise, those attributes will not be in the <code>Access-Accept</code> . By default this value is <code>True</code> .
Require-MSK	If this is set, the MSK will be provided by the AAA server as a result of successful EAP-Authentication. By default, this value is <code>False</code> .

WiMAX - OMA-DM Provisioning Support with BEK Key

In addition to WiMax subscriber authentication, the Prime Access Registrar generates and caches the Bootstrap Encryption Key (BEK) when it receives the authentication request from the unprovisioned WiMax subscriber/device. Prime Access Registrar can identify the unprovisioned device either by looking the special pattern in `Access-Request` or by performing explicit database lookup.

The BEK key derived from EMSK is calculated as follows:

BEK = the 16 most significant (leftmost) octets of HMAC-SHA256(EMSK, "bek@wimaxforum.org").

When Prime Access Registrar receives the accounting start packet for the unprovisioned device,

1. IP, MAC address, and BEK of the unprovisioned device notifies the OMA-DM server to initiate the provisioning.
2. Prime Access Registrar maintains the IP address to MAC address association using web-service until it receives the provisioning complete message from the OMA-DM server.

The Backend Portal queries the Prime Access Registrar web-service for this unprovisioned device MAC address by giving the device IP address and also the OMA-DM server request the Prime Access Registrar web-service to validate the MAC to IP address association

The communication between Prime Access Registrar and OMA-DM/Portal server is through web-service by using SOAP over HTTPS. It is assumed that the OMA-DM server (or a mediation function) will have a web-service using which AR can communicate.

Configuring the WiMax-Provisioning

To configure WiMax provisioning:

Step 1 Configure a script object, such as wimax-provision.

```
[ //localhost/Radius/Scripts/wimax-provision ]
  Name = wimax-provision
  Description =
  Language = rex

--> set FileName to 'libProvisioning.so'
set FileName /cisco-ar/scripts/radius/rex/libProvisioning.so

--> set EntryPoint 'ProvisionedDeviceLookup'
set EntryPoint ProvisionedDeviceLookup

--> set InitEntryPoint 'InitializeProvisioning'
set InitEntryPoint InitializeProvisioning

--> set InitEntryPointArgs to 'ldap:wimax'
set InitEntryPointArgs ldap:wimax
```

Is

```
[ //localhost/Radius/Scripts/wimax-provision ]
  Name = wimax-provision
  Description =
  Language = rex
  Filename = /cisco-ar/scripts/radius/rex/libProvisioning.so
  EntryPoint = ProvisionedDeviceLookup
  InitEntryPoint = InitializeProvisioning
  InitEntryPointArgs = ldap:wimax
```

The file libProvisioning.so is come up with Prime Access Registrar kit. You have to copy it into **/cisco-ar/scripts/radius/rex** path. Entrypoint ProvisionedDeviceLookup literally looks up a datastore to check if the user is provisioned. InitEntryPoint 'InitializeProvisioning' takes care of all initialization work for entry point. InitEntryPointArgs 'ldap:wimax' says the user look up to be performed against ldap datastore. Oracle datastore can also be used wherein you have to give this property to 'oracle:wimax'.

Step 2 Configure the configured script object to the server's incoming scripting point.

```
set IncomingScript wimax-provision
```

```
ls
```

```
[ //localhost/Radius ]
  Name = Radius
  Description =
  Version = 7.2.0.0
  IncomingScript~ = provision
  OutgoingScript~ =
```

Step 3 Webclient setup

Create a script object which calls the Prime Access Registrar's wimax-provisioning webservice.

```
[ //localhost/Radius/Scripts/WebServiceCall ]
  Name = WebServiceCall
  Description =
  Language = rex
  Filename = libProvisioning.so
  EntryPoint = WebServiceCall
  InitEntryPoint =
  InitEntryPointArgs =
```

Entry point should be set to WebServiceCall.

Step 4 Save the configuration:

```
save
```

Step 5 Reload the configuration:

```
reload
```



Replication Log

Cisco Prime Access Registrar's replication feature allows you to maintain identical configurations on multiple machines simultaneously. For more information on replication, see the "Using Replication" chapter of the *Cisco Prime Access Registrar 8.0 User Guide*.

This chapter provides information about replication log messages in Prime Access Registrar and certain frequently asked questions on replication.

This chapter contains the following sections:

- [Frequently Asked Questions](#)
- [Replication Log Messages](#)

Frequently Asked Questions

Question: When I do a **save** in **aregcmd** and the validation fails, is anything replicated?

Answer: No; replication does not occur until **aregcmd** successfully saves the changes.

Question: Can I specify multiple masters with the same members?

Answer: No; the replication feature was designed to be used with a single-master. Also, it is not possible to specify more than one master in a member's configuration.

Question: Do I have to configure the master as a client on the member servers?

Answer: No. In-fact, it would be erroneous to do so. With the exception of Administrators, Interfaces, Replication, and Advanced machine-specific settings, the configuration between master and member must be identical. The replication feature's purpose is to maintain that relationship. Altering configuration settings on the member which are managed by the master will likely result in an unstable and possibly non-operational server.

Question: What configuration elements are replicated and what are not?

Answer: With the exception of Administrators, Interfaces, Replication, and Advanced machine-specific settings, all other settings are replicated.

Question: What configuration elements are hot-configured and what are not?

Answer: Session Managers, Resource Managers and Remote servers are not hot-configured because they maintain state, such as an active session, and cannot be manipulated dynamically.

Question: What is an appropriate TransactionSyncInterval setting?

Answer: This depends upon how long you want to allow an out-of-sync condition to persist. The shorter the interval, the more often an out-of-sync condition is checked. However, this results in added network traffic, additional processing by Prime Access Registrar and, if the interval is too small, frequent unnecessary resynchronization requests. The default value of 60,000 milliseconds (1 minute) is usually sufficient; however, values of as little as 10,000 milliseconds (10 seconds) have been tested and have worked well.

Question: What is an appropriate TransactionArchiveLimit setting?

Answer: This depends upon two things:

1. How much hard disk space you are willing to devote to transaction archive storage
2. How often your configuration is changed (a save is issued through Aregcmd).

If you have limited hard disk space, then perhaps smaller values (less than 1000) are appropriate; however if you have sufficient hard disk space, values of 10,000 or greater are better. The primary reason for this preference is to limit the possibility of a full-resynchronization being required. A full-resynchronization is required when the member has missed so many transactions that the master no longer contains all the transaction necessary to resynchronize the member. The greater the limit, the longer the member can be down without requiring a full-resynchronization.

Question: Can I specify a member in the member configuration?

Answer: Yes, and this is recommended. In the member's replication configuration Rep Members list, specify another server, perhaps one which can be used in-case of critical failure of the master. If the master suffers a catastrophic failure (a hard disk crash, for example) the member can be reconfigured to be the master simply by setting the RepIsMaster to TRUE and changing the MasterIPAddress to its own IP Address and the member specified in its Rep Members list will perform as the master. Because the member has an archive of transactions, the new member can be automatically resynchronized. If the archive limit on the new master has been exceeded (the transaction file txn0000000001 is no longer present in the new master's archive directory), then the new member will require a full-resynchronization. Setting the member up in this manner prevents down-time if the master fails and allows configuration changes to be made on the new master.

Question: How can I prevent a full-resynchronization from ever being necessary?

Answer: You can't, but you can limit the possibility by setting the TransactionArchiveLimit to a large value (greater than 10000). Another technique is to periodically check the archive when the master and member are synchronized. If the number of transaction files is approaching 10,000, then you can stop the master and member servers, delete all files in the replication archive, and restart the master and member. The only side effect is that if the master or member suffers a catastrophic failure, a full resynchronization will be required.

Question: Can I use the member to process RADIUS requests along with the master?

Answer: Yes, and this was one of the goals of the replication feature. Keep in mind that session information is not replicated between master and member. To use session management in this environment, use Prime Access Registrar's central session manager.

Replication Log Messages

This section contains typical replication log messages and explains what each means.

This section include the following topics:

- [Information Log Messages](#)
- [Warning Log Messages](#)

- [Error Log Messages](#)
- [Log Messages You Should Never See](#)

Information Log Messages

Info Message Starting Replication Manager

Displayed at start-up and indicates the Replication Manager is configured and enabled.
(RepType=SMDBR)

Info Message Replication Disabled

Displayed at start-up and indicates that Replication is not enabled. (RepType=NONE)

Info Message Radius Server is On-Line

Displayed by the member at start-up to indicate the member is synchronized with the master and processing RADIUS requests. It is also displayed after a successfully completed resynchronization. This message is never displayed on the master.

Info Message Radius Server is Off-Line

Displayed by the member at start-up to indicate the radius server is not processing RADIUS requests until it can ensure synchronization with the master. When this is displayed after startup, it indicates the member is no longer synchronized with the master and is directly associated with a resynchronization request to the master. This message is never displayed on the master.

Info Message Resynchronizing <member name>

Displayed by the master to indicate that it is resynchronizing the specified member (member).

Info Message Resynchronization from Master in progress.

Displayed by the member to indicate the master is in the process of resynchronizing it.

Info Message Resynchronization complete.

Displayed by the member to indicate the resynchronization has completed successfully.

Info Message Resynchronization did not complete before timeout. Retrying.

Indicates the master did not complete the resynchronization before the member expected it to complete and that the member is re-requesting resynchronization from the master for the remaining missed transactions.

Info Message Master Selected As Partner (DEFAULT)

Displayed by the member to indicate that it has selected the master as a partner after successfully getting connected with the master. Partner selection is performed after analyzing the replication workloads on other replication members.

Info Message Initiating Replication of Transaction <transaction #> with <# of elements> Elements.

Displayed by the master to indicate that it is beginning replication of a transaction to the member.

Info Message Replication Transaction #<transaction #> With <# of elements> Elements Initiated

Displayed by the master to indicate that it has completed sending the transaction to the member.

Info Message Committing Replication of Transaction <transaction #> with <# of elements> Elements.

Displayed by the member to indicate that it has received a transaction and is processing it.

Info Message Replication Transaction #<transaction#> With <# of element> Elements Committed

Displayed by the member to indicate that the transaction has been successfully processed.

Info Message Stopping Replication Manager

Displayed at shutdown by both the master and member to indicate the replication manager is being shut down.

Info Message Stopping Replication Manager - waiting for replication to complete...

Displayed by the member when a shutdown is attempted while received replications are being processed. After the replications are complete, the shutdown will complete.

Info Message Replication in progress. Please wait...

Periodically displayed while a shutdown is pending and replications are being completed.

Info Message Replication Manager Stopped

Displayed by both the master and member to indicate the replication manager has been successfully shutdown.

Warning Log Messages

Warning Message Transaction Sync not received within configured TransactionSyncInterval. Communication with the Master may not be possible.

The member displays this log messages to indicate that it has not received a TransactionSync message from the master within its configured TransactionSync interval.

Warning Message TXN_SYNC Received by Master from unknown member <ip address>. Validation Failed

Displayed by the master when a TransactionSync message is received by the master. Since there can be only one configured master in a replication network, and the master is the only server who can send a TransactionSync message, this indicates there is another configured master in the replication network.

Warning Message TXN_SYNC Received from unknown Master <ip address>. Validation Failed

Displayed by the member to indicate that a TransactionSync message was received from a server not configured as its master.

Warning Message Requesting resynchronization from Master: Last Txn#<transaction#>

Displayed by the member to indicate that it is requesting resynchronization from the master. The LastTxn# is the last transaction number the member received and processed successfully.

Warning Message Resynchronization Request received from unknown member.

Displayed by the master when a resynchronization request is received by a member who is not listed in its /radius/replication/rep members configuration.

Warning Message Resynchronization of <member name> requires Full Resynchronization.

Displayed by the master to indicate that the member cannot be automatically resynchronized because its last transaction number is not within the configured history length of the archive (TransactionArchiveLimit). A manual resynchronization of the member is required to put the member back in-sync.

Warning Message MEMBER_SYNC Received from unknown Master at <ip address>. Validation Failed

Displayed by a member indicating that a master, other than its configured master, is requesting partnership.

Warning Message MEMBER_SYNC Received by Master from unknown member <ip address>. Validation Failed

Displayed by the master to indicate a member not listed in its /radius/replication/rep members configuration has requested partnership.

Warning Message TXN_EXPECT Received by Master from unknown <ip address>.

Displayed by the master to indicate it has received a transaction which originated from another illegal master.

Warning Message TXN_EXPECT Received from unknown Master <ip address>.

Displayed by the member to indicate it has received a transaction which originated from a master other than its configured master.

Warning Message TXN_EXPECT Broadcast failed.

Indicates that the master could not initiate a replication.

Warning Message DATA_SYNC Received by Master from unknown <ip address>

Displayed by the master to indicate that it received a replication transaction from another illegal master.

Warning Message DATA_SYNC Received from unknown <ip address>

Displayed by the member to indicate that a transaction was received from a server external to the replication network.

Error Log Messages

Error Message DATA_SYNC Validation failed - CRC Mismatch

Displayed by the member to indicate a received transaction element is invalid.

Error Message TXN_SYNC: Failed To Get Member Socket Handle.

TXN_SYNC: Failed to get master's socket handle.

MEMBER_SYNC could not get socket handle

TXN_EXPECT: Failed to get socket handle.

DATA_SYNC could not get socket handle.

These messages indicate an invalid interface configuration in Cisco Access Registrar.

They could also be the result of specifying an invalid RepPort setting.

Failed To Create TXN_SYNC packet. (out of packets?)

Failed To Create TXN_SYNC packet.

MEMBER_SYNC Failed to create packet.(out of packets?)

MEMBER_SYNC Failed to create packet.

TXN_EXPECT Failed to create packet.(out of packets?)

TXN_EXPECT Failed to create packet.

DATA_SYNC Create packet failed.(out of packets?)

DATA_SYNC Create packet failed.

These message indicate that a packet could not be created. This could be the result of a low memory condition or the result of the /Radius/Advanced/ MaximumNumberOfRadiusPackets setting being set too low

Error Message TXN_SYNC validation failed - Internal error (pTxnSync=NULL).
 MEMBER_SYNC validate failed - Internal Error (pMemberSync=NULL)
 DATA_SYNC Validation Failed - Internal (pDataSync = NULL).
 TXN_EXPECT Could not add new datablock to pending transaction queue.
 Replication Member could not be added to member list.
 Replication Member could not be added to member list.

These messages are the result of a failed memory allocation possibly due to an out of memory condition.

Error Message DATA_SYNC Packet creation failed - Invalid ordinal.
 Attempt To Replicate Transaction With Zero Elements.
 Internal Error - Selected member not valid
 Internal Replication Error ChangeType <change type> For <element path>
 Internal error - Replication manager is invalid

These messages indicate an internal application failure.

Error Message Cannot archive transaction datablock
 Could not archive transaction

These messages are the result of a failed archive attempt. This could be the result of a low disk space condition.

Error Message Could not commit transaction to MCD
 Cannot Get Value For Unsupported DataType <data type id>
 MCD Replication Cannot Delete Value <element path>
 MCD Replication Cannot Delete Directory <element path>
 MCD Replication Cannot Delete Value For <element path> With Unsupported DataType
 <data type id>
 MCD Replication Cannot Create Dir For <element path>
 MCD Replication Cannot Set Value For <element path>
 MCD Replication Cannot Set Value For <element path>
 MCD Replication Cannot Set Value For <element path>
 MCD Replication Cannot Set Value For <element path>
 MCD Replication Cannot Set Value For <element path> With Unsupported DataType
 <data type id>
 MCD Replication Cannot Set Value For <element path> With UNKNOWN DataType <data
 type id>

These messages are the result of a failed replication commit attempt.

Log Messages You Should Never See

The following list contains log messages which you should never see displayed in a log. If any of these messages are displayed in the log, contact Prime Access Registrar technical support for assistance.

Error Message

DATA_SYNC Received from non-partner <ip address>
 DATA_RE_SYNC CRC mismatch. Replying with NAK
 DATA_RE_SYNC Commit Failed. Replying with NAK
 EVAL_SYNC Validation failed. <ip address> is not a Master or Member of the
 Replication network

```
EVAL_SYNC Received from unknown member.
PARTNER_SYNC Received from unknown member <ip address>.
PARTNER_SYNC Received from unknown member <ip address>.
EVAL_SYNC Cannot get socket handle.
EVAL_SYNC Failed to create packet.(out of packets?)
EVAL_SYNC Failed to create packet.
EVAL_SYNC Validation failed - Internal Error (pEvalSync=NULL).
PARTNER_SYNC Failed to get socket handle.
PARTNER_SYNC Failed to create packet. (out of packets?)
PARTNER_SYNC Failed to create packet.
DATA_RE_SYNC Can't get socket handle
DATA_RE_SYNC Failed to create packet (out of packets?)
DATA_RE_SYNC Failed to create packet
DATA_RE_SYNC Failed validation - Internal Error (pReSync = NULL)
DATA_RE_SYNC Cannot Set Value For <element path>
DATA_RE_SYNC Cannot Set Value For <element path>
DATA_RE_SYNC Cannot Set Value For <element path>
DATA_RE_SYNC Cannot Set Value For <element path>
DATA_RE_SYNC Cannot Set Value For <element path> With Unsupported DataType <data
type id>
DATA_RE_SYNC Cannot Set Value For <element path> With UNKNOWN DataType <data type
id>;
DATA_RE_SYNC Received by Master from unknown member <ip address>
DATA_RE_SYNC Received from unknown Master <ip address>DATA_RE_SYNC Reply received
by Master from unknown Member <ip address>
Could not replicate data element to partners.
Could not replicate to partners - Invalid Ordinal.
```




Using On-Demand Address Pools

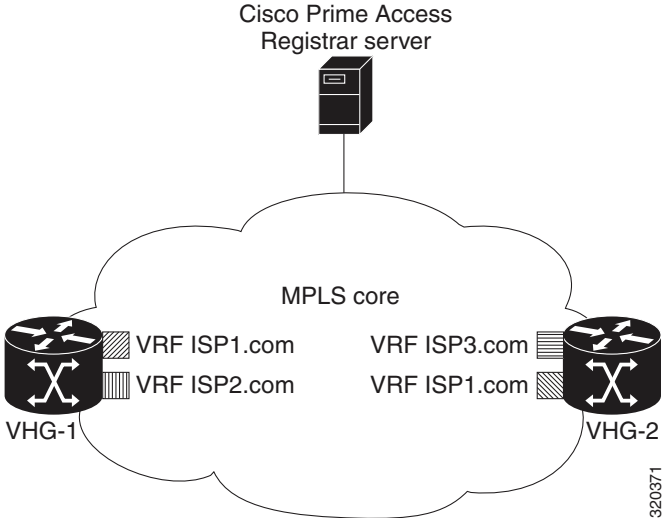
Cisco Prime Access Registrar (Prime Access Registrar) provides support for On-Demand Address Pools (ODAP). Using ODAP, the Prime Access Registrar server manages pools of addresses. Each pool is divided into subnets of various sizes, and the Prime Access Registrar server assigns the subnets to virtual home gateways (VHG) and Provider Edge (PE) routers. The VHG/PE router has one On-Demand Address Pool configured for each VPN supported by that VHG/PE.

Prime Access Registrar has been enhanced to make ODAP functionality more accessible and to enable ODAP requests and normal user authentication to occur on the same Prime Access Registrar server. To achieve this functionality, a new Cisco vendor script **CiscoWithODAPIncomingScript** was written to direct ODAP requests to particular services and session managers. **CiscoWithODAPIncomingScript** also provides the same functionality as the previous **CiscoIncomingScript**.

Additionally, Prime Access Registrar has a new vendor type, **CiscoWithODAP** which references **CiscoWithODAPIncomingScript** as its IncomingScript and references the existing script, **Cisco**, as its Outgoing Script.

Figure 6-1 shows a simple MPLS VPN network with two VHG/PE routers, VHG-1 and VHG-2. The Prime Access Registrar server allocates IP subnets to the VHGs by way of VRFs which contain the subnets and addresses (address space) available.

Figure 6-1 MPLS Core



In Prime Access Registrar, the VRFs are configured as users in an ODAP-users list under **/Radius/UserLists**. The VRF name is set in IOS for the ODAP pool. When a VRF requests a pool of addresses, Prime Access Registrar directs the request to a Session-Manager configured with the name **odap-<VRF name>**. Prime Access Registrar also directs ODAP accounting requests to the service **odap-accounting**.

In the example network shown in [Figure 6-1](#), the VRFs are configured with the following address spaces:

- **VRF-ISP1.com**—consists of the address range 10.255.0.0 - 10.255.255.255 divided among the following subnets:
 - 10.255.0.0/24
 - 10.255.1.0/24
 - ...
 - 10.255.255.0/24
- **VRF-ISP2.com**—consists of the address ranges 10.0.0.0 - 10.10.255.255 and 10.255.0.0 - 10.255.10.255 divided among the following subnets:
 - 10.0.0.0/16
 - 10.1.0.0/16
 - ...
 - 10.10.0.0/16
 and:
 - 10.255.0.0/24
 - 10.255.1.0/24
 - ...
 - 10.255.10.0/24



Note VRF-ISP2.com requires two ResourceManagers because it has subnets of two different sizes.

- **VRF-ISP3.com**—consists of the address range 172.21.0.0 - 172.21.255.255 divided among the following subnets:
 - 172.21.0.0/18
 - 172.21.64.0/18
 - 172.21.128.0/18
 and
 - 172.21.192.0/24
 - 172.21.193.0/24
 - ...
 - 172.21.255.0/24



Note VRF-ISP3.com requires two ResourceManagers because it also has subnets of two different sizes.

This chapter contains the following sections:

- [Cisco-Incoming Script](#)
- [Vendor Type CiscoWithODAP](#)
- [Configuring Cisco Prime Access Registrar to Work with ODAP](#)

Cisco-Incoming Script

The **CiscoWithODAPIncomingScript** makes ODAP functionality more accessible. This script eases the configuration required to enable ODAP requests and normal user authentication to occur on the same Prime Access Registrar server. **CiscoWithODAPIncomingScript** also provides the functionality of the original **CiscoIncomingScript**.

If the Prime Access Registrar server receives an ODAP request, the server sets the Session-Key from the AcctSessionID and sets the services and session managers.

If the Prime Access Registrar server receives a non-ODAP request, other scripts, rules or policies that you might already have in place on the Prime Access Registrar server handle these requests.

This section contains the following topics:

- [How the Script Works](#)
- [CiscoWithODAPIncomingScript](#)

How the Script Works

The following describes how the script **CiscoWithODAPIncomingScript** works:

1. The script examines the incoming NAS-Identifier sent by the client (VHG). If the NAS-Identifier does not equal *odap-dhcp* then this request is not an ODAP request. Since this is not an ODAP request, the script does not do any more ODAP-specific processing and just calls **CiscoIncomingScript** to allow that script to process the request. If this is an ODAP request, this script removes the NAS-Identifier attribute because it is no longer needed.
2. The script sets the Authentication-Service and the Authorization-Service to *odap-users*, and it sets the Accounting-Service to *odap-accounting*.
3. The Prime Access Registrar server sends the request to the appropriate Session Manager based on the username. Session Managers with *odap-<username>* must be created and configured in Prime Access Registrar.
4. The script then uses Session IDs to identify each ODAP request. The script uses the Acct-Session-Id attribute as the Session-Key.

CiscoWithODAPIncomingScript

The following is a Tcl script example of the script **CiscoWithODAPIncomingScript**.



Note

CiscoWithODAPIncomingScript is written in C language. This example script is more easily understood in Tcl.

```

proc CiscoWithODAPIncomingScript {request response environ} {

    set RequestType [ $environ get Request-Type ]

    if { [ string compare $RequestType "Access-Request" ] == 0 ||
        [ string compare $RequestType "Accounting-Request" ] == 0 } {

        set NasID [ $request get NAS-Identifier ]

        if { [ string compare $NasID "odap-dhcp" ] == 0 } {
            # Remove the NAS-Identifier - it has done it's job
            $request remove NAS-Identifier

            set UserName [ $environ get User-Name ]
            if { [ string length $UserName ] == 0 } { set UserName [ $request get
User-Name ] }

            # ODAP SUBNET ASSIGNMENT
            $environ put Authentication-Service "odap-users"
            $environ put Authorization-Service "odap-users"
            $environ put Accounting-Service "odap-accounting"
            $environ put Session-Manager "odap-$UserName"

            set AcctSessionId [ $request get Acct-Session-Id ]
            if { [ string length $AcctSessionId ] != 0 } { $environ put Session-Key
$AcctSessionId
            } else {
                $environ log LOG_ERROR "Missing Acct-Session-Id attribute in request-unable
to set Session-Key"
            }
        }
    }
}
CiscoIncomingScript $request $response $environ
}

```

**Note**

The final line in the example above is not how the script really works because a Tcl script cannot call a C script. This is one reason why **CiscoWithODAPIncomingScript** was written in C.

Vendor Type CiscoWithODAP

You must configure any Clients that might forward ODAP requests to the Prime Access Registrar server as being of Vendor **CiscoWithODAP**.

This vendor type references the new script, **CiscoWithODAPIncomingScript**, as its IncomingScript and references the existing script, Cisco, as its .

After setting Vendor to **CiscoWithODAP**, ODAP requests are directed to the AA service, set to *odap-users*, the accounting service is set to *odap-accounting*, and the Session Manager is set to *odap-username*, where username is filled from the request. The username received in the request is a VRF name, the request is directed to the appropriate Session Manager.

Configuring Cisco Prime Access Registrar to Work with ODAP


This section provides information about how to configure Prime Access Registrar to work with ODAP.

Configuring Prime Access Registrar to work with ODAP

You must configure any Clients that might forward ODAP requests to the Prime Access Registrar server as being of Vendor **CiscoWithODAP**.

Configuring Prime Access Registrar to work with ODAP

To configure Prime Access Registrar to work with ODAP:

-
- Step 1** Create and configure an ODAP-users UserList. All ODAP users are configured under this UserList.
 - Step 2** Add all ODAP users to the ODAP-users UserList. Usernames must be of the form `<vrf name>` with the AllowNullPassword property set to TRUE.
 - Step 3** Create and configure a service for ODAP-users.
 - Step 4** Create and configure an ODAP accounting service. Set the accounting service Type to *file* and FilenamePrefix *odap-accounting*.
 - Step 5** Create a Session Manager for each of the VRFs. There must be a separate Session Manager for each VRF pool.
 - Step 6** Create and configure Resource Managers to be referenced by the Session Managers.
-  **Note** Subnet pools of different sizes (different subnet masks) require separate Resource Managers
-
- Step 7** Configure the Session Managers with the Resource Managers.
 - Step 8** Configure any Clients that might send ODAP requests to Vendor type CiscoWithODAP.
 - Step 9** Save your configuration.
-

Configuring the ODAP Detailed Instructions

You must configure any Clients that might forward ODAP requests to the Prime Access Registrar server as being of Vendor **CiscoWithODAP**.

Configuring the ODAP Detailed Instructions

To configure Prime Access Registrar to work with ODAP:

Setting Up an ODAP UserList

-
- Step 1** Create a UserList for ODAP users.


```
--> cd /radius/userlists

[ //localhost/Radius/UserLists ]
```

```

Entries 1 to 1 from 1 total entries
Current filter: <all>

Default/

--> add odap-users

Added odap-users

```

Adding ODAP Users

- Step 2** Add the ODAP users to the ODAP UserList and set the AllowNullPassword property to TRUE. Each user is a VRF name set for each ODAP client.

```

[ //localhost/Radius/UserLists/odap-users ]

Entries 0 to 0 from 0 total entries
Current filter: <all>

Name = odap-users
Description =

--> add vrf-ISP1.com

Added vrf-ISP1.com

--> add vrf-ISP2.com

Added vrf-ISP2.com

--> add vrf-ISP3.com

Added vrf-ISP3.com

--> ls

[ //localhost/Radius/UserLists/odap-users ]
Entries 1 to 3 from 3 total entries
Current filter: <all>

Name = odap-users
Description =
vrf-ISP1.com/
vrf-ISP2.com/
vrf-ISP3.com/

```

- Step 3** Set the AllowNullPassword property to TRUE for each ODAP user.

```

--> cd vrf-ISP2.com

[ //localhost/Radius/UserLists/odap-users/vrf-ISP2.com ]
Name = vrf-ISP2.com
Description =
Password =
Enabled = TRUE

```

```
Group~ =  
BaseProfile~ =  
AuthenticationScript~ =  
AuthorizationScript~ =  
UserDefined1 =  
AllowNullPassword = FALSE  
  
--> set AllowNullPassword TRUE
```

Setting Up an ODAP-Users Service

Step 4 Add and configure a service for ODAP Users.

```
--> cd /radius/services  
  
[ //localhost/Radius/Services ]  
  Entries 1 to 2 from 2 total entries  
  Current filter: <all>  
  
  local-file/  
  local-users/  
  
--> add odap-users  
  
Added odap-users  
  
--> cd odap-users  
  
[ //localhost/Radius/Services/odap-users ]  
  Name = odap-users  
  Description =  
  Type =  
  IncomingScript~ =  
  OutgoingScript~ =  
  
--> set type local  
  
Set Type local  
  
--> set userlist odap-users  
  
Set UserList odap-users  
  
--> ls  
  
[ //localhost/Radius/Services/odap-users ]  
  Name = odap-users  
  Description =  
  Type = local  
  IncomingScript~ =  
  OutgoingScript~ =  
  OutagePolicy~ = RejectAll  
  OutageScript~ =  
  UserList = odap-users
```

Setting Up an ODAP Accounting Service

Step 5 Add and configure an ODAP accounting service.

```
--> cd /radius/services

[ //localhost/Radius/Services ]
  Entries 1 to 3 from 3 total entries
  Current filter: <all>

  local-file/
  local-users/
  odap-users/

--> add odap-accounting

Added odap-accounting

--> cd odap-accounting

[ //localhost/Radius/Services/odap-accounting ]
  Name = odap-accounting
  Description =
  Type =
  IncomingScript~ =
  OutgoingScript~ =

--> set type file

Set Type file

--> ls

[ //localhost/Radius/Services/odap-accounting ]
  Name = odap-accounting
  Description =
  Type = file
  IncomingScript~ =
  OutgoingScript~ =
  OutagePolicy~ = RejectAll
  OutageScript~ =
  FilenamePrefix = accounting
  MaxFileSize = "10 Megabytes"
  MaxFileAge = "1 Day"
  RolloverSchedule =

--> set FilenamePrefix odap-accounting

Set Filenameprefix odap-accounting
```

Adding Session Managers

Step 6 Create one Session Manager for each of the VRF pools.

Create one Session Manager for each of the users you specify in the odap-users UserList. The Session Managers must be called odap-*VRF_name* to meet the requirements of **CiscoWithODAPIncomingScript**.


```

--> cd /radius/sessionmanagers

[ //localhost/Radius/SessionManagers ]
  Entries 1 to 1 from 1 total entries
  Current filter: <all>

  session-mgr-1/

--> add odap-vrf-ISP1.com

Added odap-vrf-ISP1.com

--> add odap-vrf-ISP2.com

Added odap-vrf-ISP2.com

--> add odap-vrf-ISP3.com

Added odap-vrf-ISP3.com

```

Setting Up Resource Managers

- Step 7** Set up subnet-dynamic Resource Managers that are to be referenced by the Session Managers. Session Managers can manage multiple Resource Managers. One or more subnet pools can be set up of varying sizes to allocate the ranges of subnet addresses you have available. Subnets of different sizes require different Resource Managers.

```

--> cd /radius/resourcemanagers

[ //localhost/Radius/ResourceManagers ]
  Entries 1 to 5 from 5 total entries
  Current filter: <all>

  IPA-Pool/
  IPA-Pool-2/
  IPX-Pool/
  Per-Group/
  Per-User/

--> add odap-vrf-ISP1.com

```



Note The names of Resource Managers do not have to be related to VRFs.

```

Added odap-vrf-ISP1.com

--> cd odap-vrf-ISP1.com

[ //localhost/Radius/ResourceManagers/odap-vrf-ISP1.com ]
  Name = odap-vrf-ISP1.com
  Description =
  Type =

--> set type subnet-dynamic

```

```
Set Type subnet-dynamic
```

```
--> ls
```

```
[ //localhost/Radius/ResourceManagers/odap-vrf-ISP1.com ]
  Name = odap-vrf-ISP1.com
  Description =
  Type = subnet-dynamic
  NetMask =
  SubnetAddresses/
```

```
--> set netmask 255.255.255.0
```

```
Set NetMask 255.255.255.0
```

```
--> cd subnetaddresses
```

```
[ //localhost/Radius/ResourceManagers/odap-vrf-ISP1.com/SubnetAddresses ]
  Entries 0 to 0 from 0 total entries
  Current filter: <all>
```

```
--> add 10.255.0.0-10.255.255.255
```

```
Added 10.255.0.0-10.255.255.255
```


Note

Two Resource Managers are required for VRF-ISP3.com and VRF-ISP2.com because their address spaces are made up of subnets of the different sizes.

```
--> cd /radius/resourcemanagers
```

```
[ //localhost/Radius/ResourceManagers ]
  Entries 1 to 5 from 5 total entries
  Current filter: <all>
```

```
  IPA-Pool/
  IPA-Pool-2/
  IPX-Pool/
  odap-vrf-ISP1.com/
  Per-Group/
  Per-User/
```

```
--> add odap-vrf-ISP3-a.com
```

```
Added odap-vrf-ISP3-a.com
```

```
--> cd odap-vrf-ISP3-a.com
```

```
[ //localhost/Radius/ResourceManagers/odap-vrf-ISP3-a.com ]
  Name = odap-vrf-ISP3-a.com
  Description =
  Type =
```

```
--> set type subnet-dynamic
```

```
Set Type subnet-dynamic
```

--> ls

```
[ //localhost/Radius/ResourceManagers/odap-vrf-ISP3-a.com ]
  Name = odap-vrf-ISP3-a.com
  Description =
  Type = subnet-dynamic
  NetMask =
  SubnetAddresses/
```

-> set netmask 255.255.192.0

Set NetMask 255.255.192.0

-> cd subnetaddresses

```
[ //localhost/Radius/ResourceManagers/odap-vrf-ISP3-a.com /SubnetAddresses ]
  Entries 0 to 0 from 0 total entries
  Current filter: <all>
```

--> add 171.21.0.0-172.21.191.255

Added 172.21.0.0-172.21.191.255

-> cd /radius/resourcemanagers

```
[ //localhost/Radius/ResourceManagers ]
  Entries 1 to 10 from 10 total entries
  Current filter: <all>
```

```
  IPA-Pool/
  IPA-Pool-2/
  IPX-Pool/
  odap-vrf-ISP1.com/
  odap-vrf-ISP3-a.com /
  Per-Group/
  Per-User/
```

--> add odap-vrf-ISP3-b.com

Added odap-vrf-ISP3-b.com

--> cd odap-vrf-ISP3-b.com

```
[ //localhost/Radius/ResourceManagers/odap-vrf-ISP3-b.com ]
  Name = odap-vrf-ISP3-b.com
  Description =
  Type =
```

--> set type subnet-dynamic

Set Type subnet-dynamic

--> ls

```
[ //localhost/Radius/ResourceManagers/odap-vrf-ISP3-b.com ]
  Name = odap-vrf-ISP3-b.com
  Description =
  Type = subnet-dynamic
```

```
NetMask =
SubnetAddresses/
```

-> set netmask 255.255.255.0

```
Set NetMask 255.255.255.0
```

-> cd subnetaddresses

```
[ //localhost/Radius/ResourceManagers/odap-vrf-ISP3-b.com /SubnetAddresses ]
  Entries 0 to 0 from 0 total entries
  Current filter: <all>
```

```
--> add 172.21.191.0-172.21.255.255
```

```
Added 172.21.191.0-172.21.255.255
```

-> cd /radius/resourcemanagers

```
[ //localhost/Radius/ResourceManagers ]
  Entries 1 to 10 from 10 total entries
  Current filter: <all>
```

```
IPA-Pool/
IPA-Pool-2/
IPX-Pool/
odap-vrf-ISP1.com/
odap-vrf-ISP3-a.com /
odap-vrf-ISP3-b.com /
Per-Group/
Per-User/
```

```
--> add odap-vrf-ISP2-a.com
```

```
Added odap-vrf-ISP2-a.com
```

--> cd odap-vrf-ISP2-a.com

```
[ //localhost/Radius/ResourceManagers/odap-vrf-ISP2-a.com ]
  Name = odap-vrf-ISP2.com
  Description =
  Type =
```

--> set type subnet-dynamic

```
Set Type subnet-dynamic
```

--> ls

```
[ //localhost/Radius/ResourceManagers/odap-vrf-ISP2-a.com ]
  Name = odap-vrf-ISP2-a.com
  Description =
  Type = subnet-dynamic
  NetMask =
  SubnetAddresses/
```

-> set netmask 255.255.0.0

```
Set NetMask 255.255.0.0
```

-> cd subnetaddresses

```
[ //localhost/Radius/ResourceManagers/odap-vrf-ISP2-a.com /SubnetAddresses ]
  Entries 0 to 0 from 0 total entries
  Current filter: <all>
```

```
--> add 10.0.0.0-10.10.255.255
```

```
Added 10.0.0.0-10.255.255.255
```

-> cd /radius/resourcemangers

```
[ //localhost/Radius/ResourceManagers ]
  Entries 1 to 10 from 10 total entries
  Current filter: <all>
```

```
IPA-Pool/
IPA-Pool-2/
IPX-Pool/
odap-vrf-ISP1.com/
odap-vrf-ISP3-a.com /
odap-vrf-ISP3-b.com /
odap-vrf-ISP2-a.com /
Per-Group/
Per-User/
```

```
--> add odap-vrf-ISP2-b.com
```

```
Added odap-vrf-ISP2-b.com
```

--> cd odap-vrf-ISP2-b.com

```
[ //localhost/Radius/ResourceManagers/odap-vrf-ISP2-b.com ]
  Name = odap-vrf-ISP2-b.com
  Description =
  Type =
```

--> set type subnet-dynamic

```
Set Type subnet-dynamic
```

--> ls

```
[ //localhost/Radius/ResourceManagers/odap-vrf-ISP2-b.com ]
  Name = odap-vrf-ISP2-b.com
  Description =
  Type = subnet-dynamic
  NetMask =
  SubnetAddresses/
```

-> set netmask 255.255.255.0

```
Set NetMask 255.255.255.0
```

-> cd subnetaddresses

```
[ //localhost/Radius/ResourceManagers/odap-vrf-ISP2-b.com /SubnetAddresses ]
  Entries 0 to 0 from 0 total entries
```

```

Current filter: <all>

--> add 10.255.0.0-10.255.10.255

Added 10.255.0.0-10.255.10.255

```

Configuring Session Managers



Note

It is not necessary to configure Session Managers in two instances. All SessionManager configuration can be done at one time before configuring the Resource Managers.

Step 8 Configure the Session Managers to be referenced by the Resource Managers.

```

--> cd/radius/sessionmanagers

[ //localhost/Radius/SessionManagers ]
Entries 1 to 4 from 4 total entries
Current filter: <all>

odap-vrf-ISP1.com/
odap-vrf-ISP2.com/
odap-vrf-ISP3.com/
session-mgr-1/

--> cd odap-vrf-ISP2.com

[ //localhost/Radius/SessionManagers/odap-vrf-ISP2.com ]
Name = odap-vrf-ISP2.com
Description =
AllowAccountingStartToCreateSession = FALSE
ResourceManagers/

--> cd resourcemangers

--> set 1 odap-vrf-ISP2-a.com

Set 1 odap-vrf-ISP2-a.com

--> set 2 odap-vrf-ISP2-b.com

Set 2 odap-vrf-ISP2-b.com

--> cd/radius/sessionmanagers

[ //localhost/Radius/SessionManagers ]
Entries 1 to 4 from 4 total entries
Current filter: <all>

odap-vrf-ISP1.com/
odap-vrf-ISP2.com/
odap-vrf-ISP3.com /
session-mgr-1/

--> cd odap-vrf-ISP3.com

```

```

[ //localhost/Radius/SessionManagers/odap-vrf-ISP3.com ]
  Name = odap-vrf-ISP3.com
  Description =
  AllowAccountingStartToCreateSession = FALSE
  ResourceManagers/

--> cd resourcemanagers

--> set 1 odap-vrf-ISP3-a.com

Set 1 odap-vrf-ISP3-a.com

--> set 2 odap-vrf-ISP3-b.com

Set 2 odap-vrf-ISP3-b.com

--> cd/radius/sessionmanagers

[ //localhost/Radius/SessionManagers ]
  Entries 1 to 4 from 4 total entries
  Current filter: <all>

  odap-vrf-ISP1.com/
  odap-vrf-ISP2.com/
  odap-vrf-ISP3.com/
  session-mgr-1/

--> cd odap-vrf-ISP1.com

[ //localhost/Radius/SessionManagers/odap-vrf-ISP1.com ]
  Name = odap-vrf-ISP1.com
  Description =
  AllowAccountingStartToCreateSession = FALSE
  ResourceManagers/

--> cd resourcemanagers

--> set 1 odap-vrf-ISP1.com

Set 1 odap-vrf-ISP1.com

```

Configure Clients

- Step 9** For any client that might forward ODAP requests to the Prime Access Registrar server, set the Vendor property to CiscoWithODAP.

```

--> cd /radius/clients

[ //localhost/Radius/Clients ]
  Entries 1 to 2 from 2 total entries
  Current filter: <all>

  localhost/
  vhg-1/
  vhg-2/

--> cd vhg-1

```

```
[ //localhost/Radius/Clients/vhg-1 ]
  Name = vhg-1
  Description =
  IPAddress = 209.165.200.225
  SharedSecret = secret
  Type = NAS
  Vendor =
  IncomingScript~ =
  OutgoingScript~ =
  UseDNIS = FALSE
  DeviceName = a_name
  DevicePassword = password
```

```
--> set vendor CiscoWithODAP
```

```
Set Vendor CiscoWithODAP
```

Save Your Configuration

Step 10 After completing the configuration, save your changes.

```
--> save
```

```
Validating //localhost...
Saving //localhost...
```



Wireless Support

This chapter provides the following information about using Cisco Prime Access Registrar (Prime Access Registrar) for wireless support:

- [Mobile Node-Home Agent Shared Key, page 7-1](#)
- [3GPP2 Home Agent Support, page 7-3](#)
- [Session Correlation Based on User-Defined Attributes, page 7-5](#)
- [Managing Multiple Accounting Start/Stop Messages, page 7-6](#)
- [NULL Password Support, page 7-6](#)
- [3GPP Compliance, page 7-7](#)

Mobile Node-Home Agent Shared Key

In a mobile wireless environment, a Home Agent (HA) can request a Mobile Node-Home Agent (MN-HA) shared key from the home Prime Access Registrar RADIUS server during a mobile IP registration request (RRQ) from a Packet Data Serving Node (PDSN). Prime Access Registrar supports distribution of the shared key in this environment. Prime Access Registrar encrypts the shared key using MD5 encryption before sending the key back to the HA in an Access-Accept packet.

When an HA receives an RRQ from a PDSN, the HA authenticates the RRQ using a MN-HA shared key. If the HA does not have the MN-HA shared key, it retrieves the MN-HA shared key from the Prime Access Registrar server by sending an Access-Request packet containing the 3GPP2 VSA CDMA-MN-HA-SPI (SPI attribute). Prime Access Registrar then sends the CDMA-MN-HA-Shared-Key corresponding to the user if the user has been successfully authenticated.

This section contains the following topics:

- [Use Case Example](#)
- [Configuring User Attributes](#)

Use Case Example

When HA receives an RRQ from a PDSN, it authenticates the RRQ by using a MN-HA shared key. If the HA does not have the MN-HA shared key, it retrieves the MN-HA shared key from the Prime Access Registrar server by sending an Access-Request packet containing the 3GPP2 vendor-specific attribute (VSA) CDMA-MN-HA-SPI, the Security Parameter Index (SPI attribute).

The Prime Access Registrar server then sends the CDMA-MN-HA-Shared-Key corresponding to the user if the user has successfully authenticated subject to the following rules:

1. If there is an incoming SPI and no configured SPI, the Prime Access Registrar server authenticates the user as usual and does not include a configured shared-key (if there is one) in the reply.
2. If the incoming SPI does not match the configured SPI, the Prime Access Registrar server authenticates the user as usual, but does not include the configured shared-key (if there is one) in the reply.
3. If the incoming SPI matches the configured SPI, but there is no shared-key configured, the Prime Access Registrar server proceeds with normal authentication. Since there is no shared-key, it will not be included in the reply.
4. If the incoming SPI matches the configured SPI and a configured shared-key exists, the Prime Access Registrar server proceeds to encrypt the MCD5 shared-key and include it in the Access-Accept.

The key to including the shared key in an Access-Accept is in matching the values of the SPI attribute.

Configuring User Attributes

Prime Access Registrar server supports user-specific attributes which enables the Prime Access Registrar server to return attributes on a per-user or per-group basis without having to use profiles.

Configuring the User Attributes

To configure a user with the CDMA-MN-HA-SPI VSA to request a MN-HA shared key:

-
- Step 1** Log into the Prime Access Registrar server and launch **aregcmd**.
Log in as a user with administrative rights such as user **admin**.
- Step 2** Change directory to the attribute directory of the user.
- ```
cd /Radius/UserLists/Default/bob/Attributes
```
- Step 3** Set the CDMA-MN-HA-SPI VSA to the appropriate shared-key value.
- ```
set CDMA-MN-HA-SPI 1124
```
- ```
set CDMA-MN-HA-SPI 1124
```
- Step 4** Set the CDMA-MN-HA-SPI VSA to the appropriate shared-key value.
- ```
set CDMA-MN-HA-Shared-Key secret112
```
- ```
set CDMA-MN-HA-Shared-Key secret112
```
- Step 5** Validate and save your changes.
- ```
validate
```
- ```
save
```
-

# 3GPP2 Home Agent Support

The Prime Access Registrar server supports 3GPP2 home agents. This support enables mobile IP clients that authenticate through a Prime Access Registrar RADIUS server to be told which home agent they should use.

Every Mobile IP client has a home domain that is served by a group of Home Agents (HA). The Mobile IP client sets up a tunnel to one (and only one) HA during a session while it roams. Typically, the domain can be determined by the Mobile IP client's network access identifier (NAI).

**Note**

---

The NAI is the userID submitted by the client during PPP authentication. In roaming, the purpose of the NAI is to identify the user as well as to assist in the routing of the authentication request.

---

During the authentication and authorization phase for each Mobile IP client, the RADIUS server must decide which HA from a group of HAs should be chosen to serve the client. This is called dynamic HA assignment.

This section contains the following topics:

- [Home-Agent Resource Manager](#)
- [Querying and Releasing Sessions](#)
- [Access Request Requirements](#)
- [New 3GPP2 VSAs in the Cisco Prime Access Registrar Dictionary](#)

## Home-Agent Resource Manager

Prime Access Registrar supports dynamic HA assignment with a new resource manager type called home-agent. You configure the home-agent resource manager with a list of IP addresses. The Prime Access Registrar server assigns those addresses to clients whose request dictionary has the right attributes to indicate that an assignment should be done. This is similar to the *ip-dynamic* resource manager.

Unlike the *ip-dynamic* resource manager, HAs are not exclusively allocated to an individual session but are shared among a set of sessions.

## Load Balancing

The goal of dynamic HA assignment is to have load balancing among HAs. The Prime Access Registrar server achieves this by evenly distributing mobile clients among HAs. At the same time, the Prime Access Registrar server ensures that the same HA is always assigned to the same Mobile IP client for the same session.

### Configuring the Home Agent Resource Manager

To create a new resource manager using the **aregcmd** command:

- 
- Step 1** Use the **cd** command to change to the **Radius/ResourceManagers** level.
- ```
--> cd /Radius/ResourceManagers
[ //localhost/Radius/ResourceManagers ]
  Entries 0 to 0 from 0 total entries
  Current filter: <all>
```
- Step 2** Use the **add** command to specify the name of a resource manager to create.
- ```
--> add home-agent-pool
--> Added home-agent-pool
```
- Step 3** Use the **cd** command to change to the **Radius/ResourceManagers/home-agent-pool** level.
- ```
--> cd home-agent-pool
[ //localhost/Radius/ResourceManagers/home-agent-pool ]
  Name = home-agent-pool
  Description =
  Type =
```
- Step 4** Use the **set** command to set the resource manager type to **home-agent**.
- ```
--> set type home-agent
```
- Step 5** Use the **ls** command to view the subdirectories under home-agent-pool.
- ```
--> ls
[ //localhost/Radius/ResourceManagers/home-agent-pool ]
  Name = home-agent-pool
  Description =
  Type = home-agent
  Home-Agent-IPAddresses/
```
- Step 6** Use the **cd** command to change to the **Radius/ResourceManagers/home-agent-pool/Home-Agent-IPAddresses** level.
- ```
--> cd Home-Agent-IPAddresses
[//localhost/Radius/ResourceManagers/home-agent-pool/Home-Agent-IPAddresses]
```
- Step 7** Use the **add** command to add a single IP address or a range of IP addresses.
- ```
--> add 209.165.200.200-209.165.200.254
--> Added 209.165.200.200-209.165.200.254
```
-

Querying and Releasing Sessions

The **aregcmd** program has been modified to support a new filter for **query-session** and **release-session**. You can use this filter to restrict a request (either query or release) to just the sessions with a given home-agent IP address. For example, consider the following command line.

```
--> query-session /radius with-home-agent 10.10.10.1
```

This command line will return all sessions that have a home-agent resource equal to the IP address 10.10.10.1.

Querying sessions using **aregcmd** displays the home-agent resource in each session as:

```
HA ddd.ddd.ddd.ddd
```

where each *ddd* is a decimal number from 0-255.

Access Request Requirements

When the home-agent resource manager receives an Access-Request that contains a CDMA-HA-IP-Addr attribute, the home-agent resource manager checks the response dictionary to see if it already has a CDMA-HA-IP-Addr attribute. If it does, then the Mobile IP client has been assigned a HA address already and the resource manager does not need to do anything.

If the value of the CDMA-HA-IP-Addr attribute in the request dictionary is 0.0.0.0, the home-agent resource manager assigns a HA and puts a new CDMA-HA-IP-Addr attribute whose value is the IP address of the HA in the response dictionary.

If the value of the CDMA-HA-IP-Addr attribute is not 0.0.0.0, the Mobile IP client has been assigned a HA address already. The home-agent resource manager copies the attribute (with its value) from the request dictionary into the response dictionary.

The Prime Access Registrar server might select the session manager based on the domain (using the rule engine, dynamic properties, or scripting), and it allows each session manager to have its own home-agent resource manager.

New 3GPP2 VSAs in the Cisco Prime Access Registrar Dictionary

Prime Access Registrar supports 3GPP2 vendor-specific attributes (VSAs) in the vendor-specific dictionary in **/Radius/Advanced/Attribute Dictionary**.



Note

There is no planned support for the Accounting-Container (3GPP2/6) attribute because it has different syntax than other vendor-specific attributes (VSAs) and requires special processing.

Session Correlation Based on User-Defined Attributes

All the session objects are maintained in one dictionary keyed by a string.

You can define the keying material to the session dictionary through a newly introduced environment variable, Session-Key. If the Session-Key is presented at the time of session manager process, it will be used as the key to the session object for this session. The Session-Key is of type string. By default, the Session-Key is not set. Its value should come from attributes in the incoming packet and is typically set by scripts. For example, CLID can be used to set the value of Session-Key.

Use the script `UseCLIDAsSessionKey` as defined in the script `rexscript.c` to specify that the `Calling-Station-Id` attribute that should be used as the session key to correlate requests for the same session. This is a typical case for 3G mobile user session correlation. You can provide your own script to define other attributes as the session key.

In the absence of the `Session-Key` variable, the key to the session will be created based on the string concatenated by the value of the `NAS` and the `NAS-Port`.

There is a new option *with-key* available in `aregcmd` for query-sessions and release-sessions to access sessions by `Session-Key`.

Managing Multiple Accounting Start/Stop Messages

Since the PDSN is aware when it sends a RADIUS stop followed by a start record, it inserts the new `Session Continue` attribute (3GPP2/48) into the stop record. The existence of the `Session Continue` attribute denotes that a start record will immediately be sent and the packet data session continues on the PDSN.

When Prime Access Registrar receives an accounting stop packet, the following two conditions trigger a release of a session and its resources:

- There is no 3GPP2/48 `Session Continue` attribute in the stop packet and the number of accounting stops received is greater or equal to the starts received for this session
- The 3GPP2/48 `Session Continue` attribute is present in the stop packet, but its value is zero (0)



Note

One of the conditions above must be true to release the session and its resources.

NULL Password Support

Prime Access Registrar introduced a new Prime Access Registrar environment variable, *Allow-NULL-Password*. At authentication time, if the following three conditions are met, user authentication is bypassed:

1. `Allow-NULL-Password` environment variable is set to `TRUE`.
2. The `User-Password` or `CHAP-Password` must be `NULL` in the incoming request. (If it is not `NULL`, normal password checking will occur.)
3. A user record exists for this user.

By default, the *Allow-NULL-Password* environment variable is not set.



Note

You should be aware of the security impact when using the `NULL Password` feature.

You can set this environment variable in three different ways:

1. For the user in local database, one new field *AllowNullPassword* is added in the user record. When Prime Access Registrar fetches a user record for authentication, if this field is set to TRUE and Allow-NULL-Password environment variable does not exist, it sets *Allow-NULL-Password* environment variable to TRUE.
2. If the user record is in LDAP database, then the *LDAPToEnvironmentMappings* must be defined to map an attribute in LDAP user record to *Allow-NULL-Password* environment variable.
3. Through scripting which allows the decision to be made based on runtime conditions, such as attributes in the access-request or policies.

3GPP Compliance

Prime Access Registrar supports 3GPP compliance by implementing the following (refer to RFC 29.273):

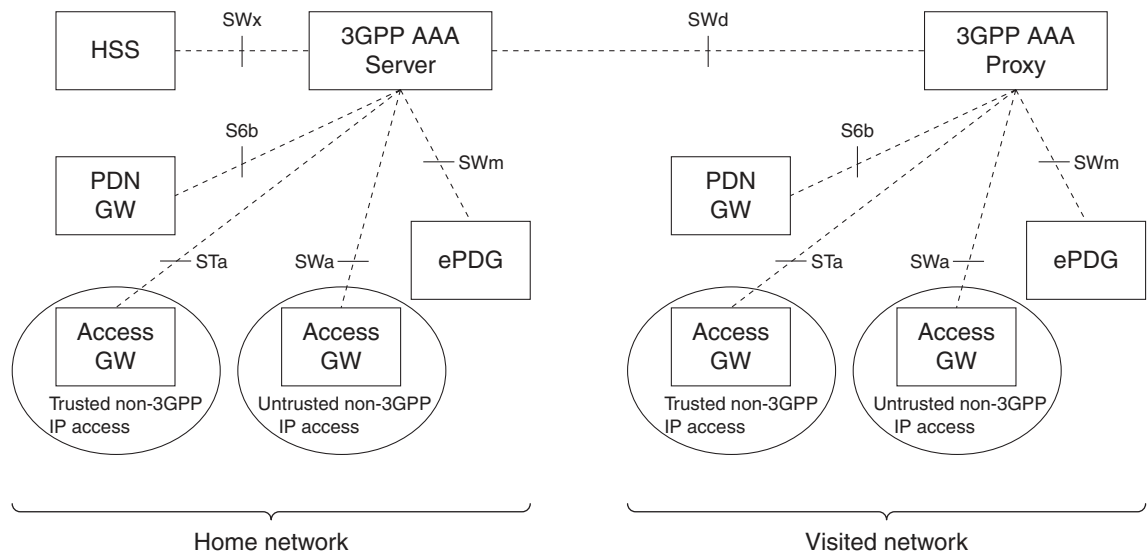
- SWa reference point between an untrusted non-3GPP IP access and a 3GPP AAA server/proxy. See [SWa Access Authentication and Authorization, page 7-8](#).
- STa reference point between a trusted non-3GPP access and a 3GPP AAA server/proxy. See [STa Access Authentication and Authorization, page 7-8](#).
- SWm reference point between an Evolved Packet Data Gateway (ePDG) and a 3GPP AAA server/proxy. See [SWm Access Authentication and Authorization, page 7-9](#).
- SWd reference point between a 3GPP AAA server and a 3GPP AAA proxy. See [SWd Access Authentication and Authorization, page 7-9](#).
- SWx reference point between a Home Subscriber Server (HSS) and a 3GPP AAA server. See [SWx Authentication Procedure, page 7-10](#).
- S6b reference point between a PDN GW and a 3GPP AAA server/proxy. See [S6b Authentication and Authorization Procedure, page 7-10](#).

This topic also contains the following sections:

- [3GPP Call Flows, page 7-11](#)
- [Voice over Wi-Fi \(VoWiFi\) Location Based Authentication, page 7-13](#)

Figure 7-1 depicts the various interfaces used for 3GPP compliance in a mobile network.

Figure 7-1 3GPP Interfaces



SWa Access Authentication and Authorization

The SWa reference point is defined between a non-3GPP IP access and a 3GPP AAA server or between a non-3GPP IP access and a 3GPP AAA proxy.

The SWa access authentication and authorization procedure includes the following steps:

1. The 3GPP AAA server issues an unsolicited re-auth request towards the untrusted non-3GPP access, indicating that both re-authentication and re-authorization of the user is needed.
2. Upon receipt of such a request, the untrusted non-3GPP access responds to the request and indicates the disposition of the request. This procedure is mapped to the Diameter command codes Re-Auth-Request and Re-Auth-Answer.
3. Upon receiving the re-auth request, the untrusted non-3GPP access immediately invokes the SWa authentication and authorization procedure requesting the identity of the user through EAP and using DER/DEA commands, with the same session-ID.
4. If the re-authentication of the user is not successful, the untrusted non-3GPP access detaches the user.

STa Access Authentication and Authorization

The STa reference point is defined between a non-3GPP access network and a 3GPP AAA Server or between a non-3GPP access network and a 3GPP AAA Proxy.

Prime Access Registrar decides whether a non-3GPP access network is trusted or untrusted by using the access authentication and authorization procedure executed between the non-3GPP access network and the 3GPP AAA server. This is implemented by the STa and SWa reference points sharing the same Diameter application and partly sharing the same authentication and authorization procedure. The STa

and SWa reference points are clearly distinguished after the exchange of the first authentication and authorization messages, during which trusted/untrusted decision is made by the 3GPP AAA server and this decision is communicated to the non-3GPP access network.

The trusted non-3GPP access authentication and authorization requires DiaEAP with EAP-AKA or EAP-AKA'. Prime Access Registrar implements the STa access authentication and authorization procedure based on the mobility parameters transported by the non-3GPP access network to the 3GPP AAA server.

This procedure follows the SWa authentication and authorization procedure, with the following differences:

- Information elements that reflect information about the user's service request and about the access network are mandatorily included in the authentication and authorization request.
- The information elements that describe the user's subscription profile are downloaded to the non-3GPP access network.

SWm Access Authentication and Authorization

The SWm reference point is defined between the ePDG and the 3GPP AAA server or between the ePDG and the 3GPP AAA proxy. It is used to authenticate and authorize a UE by transporting mobility parameters that are needed for the S2b interface. In particular this information may include the Packet Data Network (PDN) GW identity(s) and Access Point Name (APN(s)) currently allocated to a UE during a previous attach in a 3GPP access.

The SWm reference point performs authentication and authorization based on the reuse of the DER/DEA command set defined in the Diameter EAP application. The SWm access authentication and authorization procedure includes the following steps:

- The UE transmits a 'tunnel establishment request' message to the ePDG in order to establish a connection to the PDN.
- The ePDG initiates access authentication and authorization request to the 3GPP AAA server.
- During the access authentication and authorization procedure, the ePDG provides mobility parameters of the UE to the 3GPP AAA Server.
- The 3GPP AAA server performs IP mobility mode selection appropriately and upon successful authorization, it returns mobility mode information back to the ePDG.

SWd Access Authentication and Authorization

The SWd reference point is defined between a 3GPP AAA proxy and a 3GPP AAA server. The SWd interface is used in roaming scenarios where the 3GPP AAA proxy is located in the visited network and the 3GPP AAA server is located in the home network. The 3GPP AAA proxy acts as a Diameter proxy agent and forwards Diameter commands between the Diameter client and the Diameter server.

When used in connection with an STa reference point, the SWd interface supports the trusted non-3GPP access authentication and authorization procedure. For this procedure, the 3GPP AAA proxy forwards the Diameter commands received from the 3GPP AAA server and the trusted non-3GPP access network as a stateful Diameter proxy.

When used in connection with the SWm reference point, the SWd interface supports the untrusted non-3GPP access authentication and authorization procedure. For this procedure, the 3GPP AAA proxy forwards the Diameter commands received from the 3GPP AAA server and the ePDG as a stateful Diameter proxy.

SWx Authentication Procedure

The SWx is a reference point defined between a HSS and a 3GPP AAA server. It is used in AAA server registration of a new user.

The authentication procedure includes the following steps:

1. The 3GPP AAA server registers the current 3GPP AAA server address in the HSS for a given user when a new subscriber has been authenticated by the 3GPP AAA server.
2. The 3GPP AAA server informs the HSS about the current PDN GW identity and APN being used for a given UE, or that a certain PDN GW and APN pair is no longer used.
3. Accordingly, the 3GPP AAA server may de-register the currently registered 3GPP AAA server in the HSS for a given user and purge any related non-3GPP user status data in the HSS. This occurs if the UE for some reason has been disconnected from the non-3GPP access.

HSS Initiated Update of User Profile

The subscriber profile management procedures over SWx include the subscriber profile push and the subscriber profile request. The SWx reference point enables the following:

- Indication to the 3GPP AAA server of change of non-3GPP subscriber profile within HSS.
- Activation and deactivation of the subscriber and equipment trace in the PDN GW.

This procedure is used between the 3GPP AAA Server and the HSS and is invoked by the HSS during the following circumstances:

- When the subscriber profile has been modified and needs to be sent to the 3GPP AAA Server. This may happen due to a modification in the HSS.
- To update the 3GPP AAA Server with the identity of a dynamically allocated PDN GW, which is included in the APN-Configuration AVP in the user profile as a result of the first PDN connection establishment associated with an APN over 3GPP access.

This procedure is mapped to the Diameter command codes Push-Profile-Request (PPR) and Push-Profile-Answer (PPA). An IMSI Range based mechanism is provided to select the HSS server. In the CLI, if the MultiplePeersPolicy is IMSIRangeBased, then the ranges are configured as a list and from them the HSS server is selected.

S6b Authentication and Authorization Procedure

The S6b reference point is defined between a PDN GW and a 3GPP AAA server (for non-roaming case, or roaming with home routed traffic to PDN GW in home network) and between a PDN GW and a 3GPP AAA proxy. The S6b interface protocol is based on Diameter. It uses the Diameter base protocol and also supports Diameter EAP application. The EAP methods EAP-AKA and EAP-AKA' are used.

The authentication and authorization procedure includes the following steps:

1. The S6b interface enables authentication and authorization between the UE and the 3GPP AAA server/proxy.
2. When the UE performs the DSMIPv6 initial attach, it runs an IKEv2 exchange with the PDN GW. In this exchange, EAP AKA is used for UE authentication over IKEv2. The PDN GW acts as an IKEv2 responder and an EAP pass-through authenticator for this authentication.

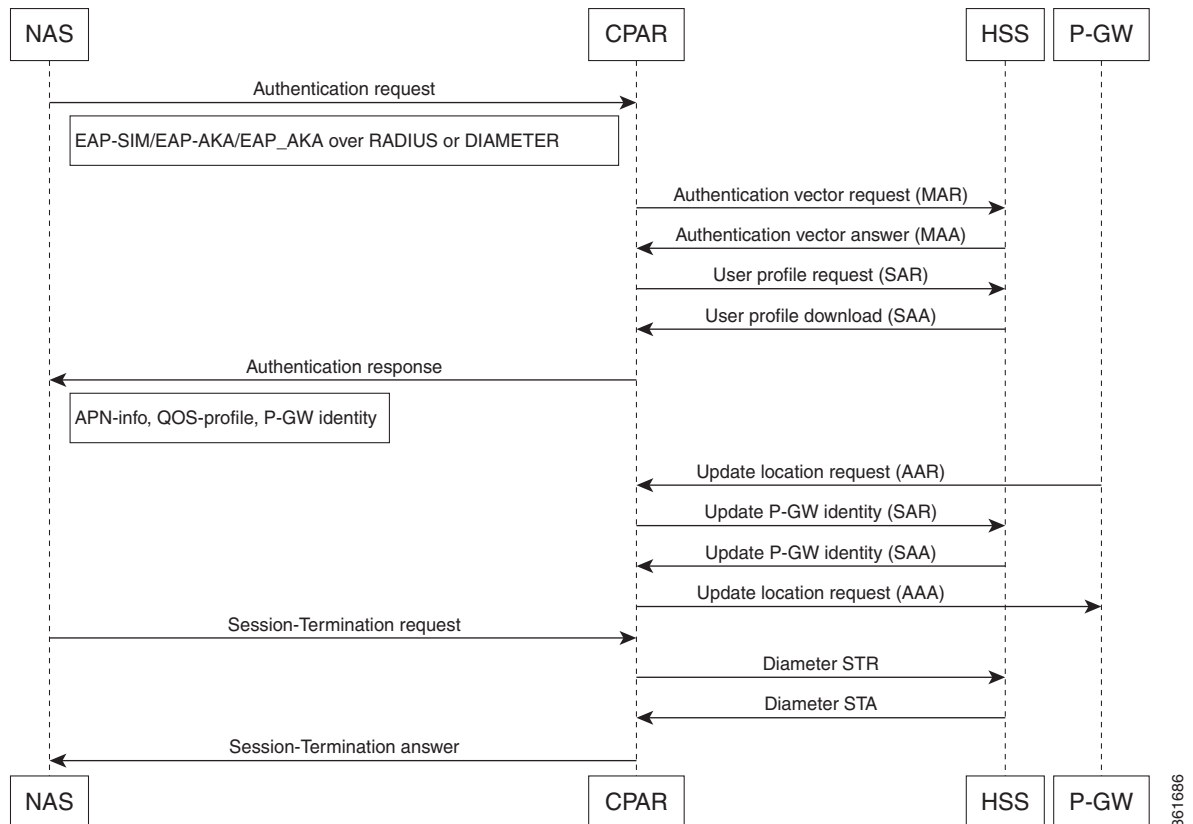
- The S6b authentication and authorization procedure is invoked by the PDN GW after receiving an IKE_SA_AUTH message from the UE. The S6b reference point performs authentication based on reuse of the DER/DEA command set defined in Diameter EAP.

3GPP Call Flows

When Prime Access Registrar receives an authentication or authorization request from any of the access points, it sends the packet to the rules and policy engine for processing. The rules and policies are added in the configuration of Prime Access Registrar. Client, vendor, and server scripting points are provided in order to modify any AVPs in the packet or to decide upon the type of service that the packet requires. For example, if the service is Radius-to-Diameter translation, Prime Access Registrar performs the translation of Radius packet to Diameter packet and sends it to the remote server. The service also has scripting points that can be used to modify the incoming packets. Once authentication or authorization is done for the packet session management can be performed for the packet by storing the user sessions in a session cache, if the authentication or authorization is successful. The server, client, vendor, and service outgoing scripting points can be used to modify the response packet.

Figure 7-2 depicts the call flows implemented for 3GPP.

Figure 7-2 3GPP Call Flows



This topic contains the following sections:

- [CLI for 3GPP Authorization, page 7-12](#)
- [CLI for 3GPP Reverse Authorization, page 7-12](#)

CLI for 3GPP Authorization

Following is the CLI for 3GPP authorization service:

```
[ //localhost/Radius/Services/3gpp-authz-diameter]
  Name = 3gpp-authz-diameter
  Description = STa to SWx authz (update-gw, get-profile , push-profile from HSS, de-reg
from HSS )
  Type = 3gpp-authorization
  Protocol = Diameter
  IncomingScript~ =
  OutgoingScript~=
  SessionManager =
  DiameterProxyService =

[ //localhost/Radius/Services/3gpp-authz-radius]
  Name = 3gpp-authz-radius
  Description = STa to SWx authz (update-gw, get-profile , push-profile from HSS, de-reg
from HSS )
  Type = 3gpp-authorization
  Protocol = Radius
  SessionManager =
  TranslationService =

[ //localhost/Radius/Services/3gpp-authz-radius]
  Name = 3gpp-authz-radius
  Description = STa to SWx authz (update-gw, get-profile , push-profile from HSS, de-reg
from HSS )
  Type = 3gpp-reverse-authorization
  Protocol = Radius
  PreRequestTranslationScript~ =
  PostRequestTranslationScript~ =
  PreResponseTranslationScript~ =
  PostResponseTranslationScript~ =
  EnvMapping/
  ForwardMapping/
  ReverseMapping/
  ResponseMapping/

[ //localhost/Radius/Services/3gpp-authz]
  Name = 3gpp-authz-radius
  Description = STa to SWx authz (update-gw, get-profile , push-profile from HSS, de-reg
from HSS )
  Type = 3gpp-reverse-authorization
  Protocol = Diameter
  Incoming~ =
  Outgoing~=
  SessionManager =
  RequestMapping/
  EnvMapping/
  ResponseMapping/
```

CLI for 3GPP Reverse Authorization

3GPP reverse authorization is used during RADIUS to Diameter translation. You can set the corresponding parameter to TRUE during the RADIUS to Diameter conversion. In this case, the request command mapping must not be defined because a new diameter request is created from the radius request by the 3GPP reverse authorization service. For more information about RADIUS<->Diameter translations, see “Diameter” chapter of the *Cisco Prime Access Registrar 8.0 User Guide*.

Following is the CLI for 3GPP reverse authorization service:

```

[ //localhost/Radius/Services/reverse ]
Name = reverse
Description =
Type = 3gpp-reverse-authorization
IncomingScript~ =
OutgoingScript~ =
SessionManager = cache
TranslationService = diatorad
ProxyService =

[ //localhost/Radius/Services/diatorad ]
Name = diatorad
Description =
Type = diameter-radius
ProxyServiceName = rad-proxy
PreRequestTranslationScript~ =
PostRequestTranslationScript~ =
PreResponseTranslationScript~ =
PostResponseTranslationScript~ =
RequestMapping/
CommandMappings/
PPR = Radius-Access-Request
RAR = Radius-CoA-Request
AVPMappings/
Auth-Session-State = Cisco-AVPair
user-name = user-name
AVPsToBeAdded/
EnvironmentMappings/
ResponseMapping/
ResultCodeMappings/
Radius-CoA-ACK = Diameter-Success
Radius-CoA-NAK = Diameter-Unable-To-Deliver
AVPMappings/
AVPsToBeAdded/
EnvironmentMappings/

```

Voice over Wi-Fi (VoWiFi) Location Based Authentication

Prime Access Registrar allows or blocks access to voice over Wi-Fi (VoWiFi) based on location information of the user equipment (UE). Prime Access Registrar uses Sh interface for fetching the location information of the UE. The workflow is as given below:

1. UE tries to establish connection to VoWiFi.
2. Request reaches Prime Access Registrar server.
3. Upon successful authentication, Prime Access Registrar sends a User Data Repository (UDR) request to HSS through Sh interface.
4. If HSS has the location information, it sends a User-Data-Answer (UDA) response to Prime Access Registrar through Sh interface in XML format.
 - a. The UDA response contains a User-Data AVP, which contains location information of the UE.
 - b. The AVP has various attributes including E-UTRANCellGlobalId, which carries the location information of the UE.
5. If HSS doesn't have the location information, it sends an Insert-Subscription-Data-Request (IDR) to the Mobility Management Entity (MME)/Serving GPRS Support Node (SGSN) requesting for the user identity information.

6. The MME/SGSN sends the user identity information to the HSS through an Insert-Subscription-Data-Answer (IDA) response.
7. The HSS communicates the received data to Prime Access Registrar through Sh interface in XML format.
8. Upon receiving the user profile, Prime Access Registrar parses the User-Data AVP, extracts the location information, and copies it to the E-UTRANCellGlobalId environment variable. Prime Access Registrar can be configured to run the following script at 3GPP authorization service outgoing script to check the E-UTRANCellGlobalId variable and reject/accept the UE based on the location information.

```

proc test {request response environ} {
    if { [ $environ containsKey E-UTRANCellGlobalId ] } {
        set cellid [ $environ get E-UTRANCellGlobalId ]

        if { [ string compare $cellid sanjose ] == 0 } {
            #block the user send Reject
            $environ put Response-Type "Diameter-Access-Reject"
            #$environ put Response-Type "Access-Reject"
        }
    }
}

```

Following are sample CLI configurations for 3GPP authorization service with RADIUS and Diameter:

```

[ //localhost/Radius/Services/3gpp ]
  Name = 3gpp
  Description =
  Type = 3gpp-authorization
  Protocol = diameter
  IncomingScript~ =
  OutgoingScript~ = BlockorAcceptUE
  SessionManager = sml
  DiameterProxyService = diaproxy
  FetchLocationInformation = True

[ //localhost/Radius/Services/3gpp-rad ]
  Name = 3gpp-rad
  Description =
  Type = 3gpp-authorization
  Protocol = radius
  IncomingScript~ =
  OutgoingScript~ = BlockorAcceptUE
  SessionManager = smrad
  TranslationService = rad-AA-SAR
  FetchLocationInformation = True

```



Enforcement of Licensing Models

This chapter describes the enforcement of transactions per second (TPS) based licensing and session based licensing models introduced in Cisco Prime Access Registrar (Prime Access Registrar).

In TPS based licensing model, the license is based on the number of transactions per second that are handled by the server. In session based licensing model, the license is managed based on the number of sessions that resides in Prime Access Registrar. During Prime Access Registrar startup, you can either load TPS based licensing or session based licensing, but not both at the same time.

This chapter contains the following sections:

- [TPS Licensing Features](#)
- [Concurrent Session License Features](#)



Note

The type of licensing will determine the applicable features and its corresponding enforcement.

TPS Licensing Features

The following are the features of TPS licensing:

- License will enable features but with restriction enforced on the TPS.
- TPS is the number of packets flowing into Prime Access Registrar. This is accounted by Prime Access Registrar irrespective of the feature being used.

This section contains the following topics:

- [Enforcement Rules](#)
- [Notification Logs](#)
- [Notification - SNMP Traps](#)
- [TPS Logging Feature](#)

Enforcement Rules

Any license enforcement is triggered only after Prime Access Registrar has observed increasing steady state in TPS. Increasing steady state is marked by the steady increase in incoming traffic (measured in TPS) beyond 80% of the licensed TPS for any 15 minutes of a 20 minute interval.

The following are the enforcement rules applied on reaching increasing steady state:

- When the incoming traffic (measured in TPS) is greater than 80% of the licensed TPS, SNMP Trap will be generated for the first time on reaching the increased steady state. The warning message on the current license usage is logged for every 5 minutes.
- When the incoming traffic (measured in TPS) is greater than 90% of the licensed TPS, SNMP Trap will be generated for the first time on reaching the increased steady state. Warning message on the current license usage is logged for every 5 minutes.
- When the incoming traffic (measured in TPS) is greater than 100% of the licensed TPS, SNMP Trap will be generated for the first time on reaching the increased steady state. Error message on the current license usage is logged for every 5 minutes.
- When the incoming traffic (measured in TPS) is greater than 110% of the licensed TPS, SNMP Trap will be generated for the first time on reaching the increased steady state.


Note

Steady state denotes continuous increase or decrease in the TPS within a given TPS range. For the purpose of enforcement of licensing in Prime Access Registrar, the range is always 80% and above. The enforcement begins after TPS reaches and is greater than 80% for a steady state of 20 minutes.

Notification Logs

A warning message is logged for every 5 minutes when the TPS count reaches an increased steady state, where, the TPS count is in the range of 80% to 100% of the licensed TPS.

An error message is logged for every 5 minutes when the TPS count reaches an increased steady state, where, the TPS count is in the range of 100% to 110% of the licensed TPS.

Notification - SNMP Traps

The `carLicenseUsage` traps are generated only once in an increasing phase. The incoming traffic slabs are defined as 80%, 90%, 100%, and 110% of the licensed TPS. When the incoming traffic slabs reaches an increasing steady state of 80% or above for the first time, the respective trap is generated for the slab.

If the TPS count drops below 80% of the licensed TPS for a steady state period of 20 minutes, Prime Access Registrar marks it as decreased or normal steady state. Traps will be regenerated again only if Prime Access Registrar observes a decreased steady state followed by an increased steady state of TPS falling under the slab (say 80%).

TPS Logging Feature

The properties in Advanced Object such as TPSSamplingPeriodInSecs, LogTPSActivity, TPSLogFilenamePrefix and TPSLogFileCount enable logging of TPS in the Prime Access Registrar server. TPS log file is located in **/cisco-ar/logs**. It creates one file per day to hold the TPS information for the day. The TPS samples are collected for every TPSSamplingPeriodInSecs. The file is updated only once for every 10* TPSSamplingPeriodInSecs. If there is no inflowing traffic, Prime Access Registrar logs zero TPS once for every 10* TPSSamplingPeriodInSecs. See the “Configuring and Monitoring the RADIUS Server” chapter of the *Cisco Prime Access Registrar 8.0 Administrator Guide* for more information on TPSSamplingPeriodInSecs, LogTPSActivity, TPSLogFilenamePrefix, and TPSLogFileCount properties.

The following is the sample configuration of tps license:

```
/cisco-ar/bin/aregcmd -s
set /Radius/Advanced/LogTPSActivity TRUE
set /Radius/Advanced/TPSLogFilenamePrefix tps
set /Radius/Advanced/TPSLogFileCount 5
set /Radius/Advanced/TPSSamplingPeriodInSecs 30
save
```

The following is the sample output of the log file:

```
[root@ar-lnx-vm020 logs]# tail -f sm-04-24-2016.csv
04-24-2016,18:36:30,2998,1000
04-24-2016,18:36:51,2997,1000
04-24-2016,18:37:11,996,408
04-24-2016,18:37:32,3532,1263
04-24-2016,18:37:53,2763,1000
04-24-2016,18:38:14,4749,1669
```

In the above example, the first numerical value (2998) in the log entry denotes the total TPS traffic and the second value (1000) denotes the SIGTRAN-M3UA traffic.

For TPS measurement in Prime Access Registrar server, you can run the TPS calculator script when you want to monitor the TPS during the peak period or run the TPS for 24 hours.

Concurrent Session License Features

In Concurrent Session based license, the licensing is done based on the number of sessions that resides in Prime Access Registrar.



Note

During startup of the Prime Access Registrar, the default session manager must be enabled for RADIUS and the EnableStickySession must be set to TRUE for Diameter. This is applicable only for session based license.

The sticky sessions is enabled during the initialization of Prime Access Registrar for Diameter based license to track the session counts in the diameter service. The server level count is calculated by adding all the sessions maintained across all the session managers and the sticky sessions of all the diameter services in the server. This session count is used by licensing module for license enforcement. The session count is either increased or decreased based on the action performed.

This section contains the following topics:

- [Sessions Enforcement Rules](#)

- [Notification Logs](#)
- [Notification - SNMP Traps](#)
- [Session Logging Feature](#)

Sessions Enforcement Rules

The following are the enforcement rules applied on concurrent session based license:

- When the session count (measured in concurrent session) reaches 80% of the licensed sessions, SNMP Trap will be generated for the first time on reaching the increased steady state. The warning message on the current license usage is logged for every 5 minutes.
- When the session count (measured in concurrent session) reaches 90% of the licensed sessions, SNMP Trap will be generated for the first time on reaching the state. The warning message on the current license usage is logged for every 5 minutes.
- When the session count (measured in concurrent session) attains 100% of the licensed sessions, SNMP Trap will be generated for the first time on reaching the state. The error message on the current license usage is logged for every 5 minutes.
- When the session count (measured in concurrent session) attains 110% of the licensed sessions, SNMP Trap will be generated for the first time on reaching the state.

**Note**

The steady state period is not applicable for Concurrency Session based licensing.

Notification Logs

A warning message is logged for every 5 minutes when the session count reaches 80% and 90% of the licensed Concurrent Session.

An error message is logged when the session count reaches the range of 100% to 110% of the licensed Concurrent Session.

Notification - SNMP Traps

The **carLicenseUsage** trap is generated when the Prime Access Registrar server reaches 80%. The incoming traffic slabs defined for trap generation are 80%, 90%, 100%, and 110% of the licensed Concurrent Sessions. These traps are generated once for every slab during the increasing steady state.

**Note**

Logging Feature is applicable for session based license as like TPS logging feature. The warning messages are displayed corresponding to session logging feature. See [TPS Logging Feature, page 8-3](#) for more information.

Session Logging Feature

The properties in Advanced Object such as `SessionSamplingPeriodInSecs`, `LogSessionActivity`, `SessionLogFilenamePrefix` and `SessionLogFileCount` enable logging of session count in the Prime Access Registrar server. The session log file is located in `/cisco-ar/logs`. It creates one file per day to hold the session information for the day. The session samples are collected for every `SessionSamplingPeriodInSecs`. The file is updated only once for every `10 * SessionSamplingPeriodInSecs`. See the “Configuring and Monitoring the RADIUS Server” chapter of the [Cisco Prime Access Registrar 8.0 Administrator Guide](#) for more information on `SessionSamplingPeriodInSecs`, `LogSessionActivity`, `SessionLogFilenamePrefix`, and `SessionLogFileCount` properties.

The following is a sample configuration of session license:

```
/cisco-ar/bin/aregcmd -s
set /Radius/Advanced/LogSessionActivity TRUE
set /Radius/Advanced/SessionLogFilenamePrefix sm
set /Radius/Advanced/SessionLogFileCount 5
set /Radius/Advanced/SessionSamplingPeriodInSecs 10
save
```

The following is the sample output of the log file:

```
[root@ar-lnx-vm020 logs]# tail -f sm-08-09-2016.csv

08-09-2016, 5:18:52,100, 20
08-09-2016, 5:19:22,130, 45
08-09-2016, 5:19:52,160, 60
08-09-2016, 5:20:22,175, 70
08-09-2016, 5:20:52,210, 85
08-09-2016, 5:21:22,195, 83
08-09-2016, 5:21:52,225, 95
```




Logging Syslog Messages

Logging messages via syslog provides centralized error reporting for Cisco Prime Access Registrar (Prime Access Registrar). Local logging and syslog logging can be turned on or off at any time by modifying the control flags in the `$INSTALLPATH/conf/car.conf` file.

Logging syslog messages requires a UNIX host running a *syslog daemon* as a receiver for Prime Access Registrar messages. Prime Access Registrar and the syslog daemon can be running on the same host or different hosts.

This chapter contains the following sections:

- [Syslog Messages, page 9-1](#)
- [Configuring Message Logging, page 9-3](#)
- [Configuring Syslog Daemon \(syslogd\), page 9-4](#)
- [Changing Log Directory, page 9-4](#)
- [Managing the Syslog File, page 9-5](#)
- [Server Up/Down Status Change Logging, page 9-6](#)

Syslog Messages

Messages sent to the following logs will be forwarded to **syslog** server in a slightly different format. The logs are:

- `aregcmd_log`
- `config_mcd_[1..n]_log`
- `name_radius_[1..n]_log`
- `agent_server_[1..n]_log`

Messages less than 1024 bytes in length display in the following format:

```
MMM DD hh:mm:ss hostname %Prime AR-[severity]-[mnemonic]: [#n], [System|Server]:  
message_description
```

Where:

MMM DD is the month and date that the message is received by the syslog server.

hh:mm:ss is the arrival time of the message.

hostname is the name of the syslog server.

severity is one of the following levels:

- 0 - emergency
- 1 - alert
- 2 - critical
- 3 - error
- 4 - warning
- 5 - notification
- 6 - informational
- 7 - debugging

mnemonic can be *aregcmd*, *name_radius*, *agent_server* and *config_mcd* for the identification of Prime Access Registrar-relative subsystems.

#n is the id for the components: *name_radius*, *agent_server*, and *config_mcd*

message_description provides detailed information of the message.

Messages greater than 1024 bytes in length display in multiple lines. At the end of each 1024 bytes line, three dots indicate a continuation of the message as follows:

```
MMM DD hh:mm:ss hostname %Prime AR-[severity]-[mnemonic]: [#n], [System|Server]:
message_description: Configuration: text and more message text and more message text
and more message text and more message text and more message text and more message
text and more message text and more message text and more message text and more
message text and more message text and more message text and more message text and
more message text and more message text and more message text and more message text
and more message text and more message text and more message text and more message
text and more message text and more message text and more message text ...
```

The continuation of a message begins with three dots as follows:

```
MMM DD hh:mm:ss hostname %Prime AR-[severity]-[mnemonic]: [#n], [System|Server]:
message_description: Configuration: ... text and more message text and more message
text and more message text and more message text and more message text and more
message text and more message text and more message text and more message text and
more message text and more message text and more message text
```

Example 1

```
May 19 14:28:44 dwlau-ultra2.cisco.com
%Prime AR-3-name_radius: #1, System: Remote LDAP Server.Unable to bind.
```

Example 2

```
May 19 14:28:45 dwlau-ultra2.cisco.com
%Prime AR-6-name_radius: #1, Server: Stopping server
```

Configuring Message Logging

To enable **syslog** logging in Linux, you must modify the **syslog.conf** file in the **/etc/sysconfig** directory. The following is the default syslog file.

```
# Options to syslogd
# -m 0 disables 'MARK' messages.
# -r enables logging from remote machines
# -x disables DNS lookups on messages recieved with -r
# See syslogd(8) for more details
SYSLOGD_OPTIONS="-m 0"
# Options to klogd
# -2 prints all kernel oops messages twice; once for klogd to decode, and
#   once for processing with 'ksymoops'
# -x disables all klogd processing of oops messages entirely
# See klogd(8) for more details
KLOGD_OPTIONS="-x"
```

To enable logging of **syslog** messages, you must enable the **syslog** daemon to listen on port 514 by adding the **-r** flag to the **SYSLOGD_OPTIONS** line as follows:

```
SYSLOGD_OPTIONS="-r -m 0"
```

For RHEL version 7.0 and above, you must update the **/etc/rsyslog.conf** file with the following information and restart the syslog service:

```
$ModLoad imudp.so
$UDPServerRun 514
SYSLOGD_OPTIONS="-r -m 0"
localn.info <tab> <tab> <tab> /var/log/filename.log
```

To restart the syslog service:

```
systemctl restart rsyslog.service
```

Configuring Syslog Daemon (syslogd)

You must specify the facility from which *syslogd* will receive messages and the file into which the messages will be deposited.

In the syslog server's **/etc/syslog.conf** file, the following line might be needed.

```
localn.info <tab> <tab> <tab> /var/log/filename.log
```



Note Use at least one <tab> as a field separator.

Where:

localn—is the facility being used for syslogd; *n* must be a value from 0-7 and match the FACILITY_LOCAL_NUMBER used in Prime Access Registrar's **car.conf** file.

/var/log/—is the path to the file that stores **syslogd** messages.

filename.log—is the file that stores **syslogd** messages. You can give this file a name of your choice.

Creating a Syslog Log File

To create a syslog log file:

-
- Step 1** Log in as user *root*.
 - Step 2** Enter the following command, where *filename.log* is a name you choose.


```
touch filename.log
```
 - Step 3** Change permissions on the syslog log file by entering the following:


```
chmod 664 filename.log
```
-

Changing Log Directory

You can change the directory where local log messages are stored by adding the following line in the **\$INSTALLPATH/conf/car.conf** file.

```
LOGDIR full_path
```

Where *full_path* is a full path to the directory where you want to store the log messages. For example, to store all system logs in **/var/log/AICar1**, add the following line in the **\$INSTALLPATH/conf/car.conf** file:

```
LOGDIR /var/log/AICar1
```

You must first stop the Prime Access Registrar server prior to changing the **car.conf** file. After changing the **car.conf** file, copy all existing log files to the new directory, then restart the server.



Note Specifying a path for local logging does not affect the storage location of syslog messages.

Managing the Syslog File

Left unmanaged, the **syslog** file will grow in size over time and eventually fill all available disk space in its partition. Prime Access Registrar writes log files and session data (to persist user sessions) in the same disk partition where Prime Access Registrar is installed.

In normal operation, log files consume a large amount of disk space. If log files are not managed regularly, Prime Access Registrar might not have sufficient disk space to write session data. To avoid this, you should move the Prime Access Registrar log files directory to a different disk partition than the one where Prime Access Registrar writes session data, as described in [Changing Log Directory](#).

Using a cron Program to Manage the Syslog Files

We recommend that you use the **cron** program to manage the **syslog** files.

The following example **crontab** file performs a weekly archival of the existing **syslog** file (named **ar_syslog.log** in this example). This scheme keeps the previous two week's worth of **syslog** files.

```
#
# At 02:01am on Sundays:
# Move a weeks worth of 'ar_syslog.log' log messages to 'ar_syslog.log.1'.
# If there was a 'ar_syslog.log.1' move it to 'ar_syslog.log.2'.
# If there was a 'ar_syslog.log.2' then it is lost.
01 02 * * 0 cd /var/log;
if [ -f ar_syslog.log ];
then if [ -f ar_syslog.log.1 ];
then /bin/mv ar_syslog.log.1 ar_syslog.log.2;
fi;
/usr/bin/cp ar_syslog.log ar_syslog.log.1;
>ar_syslog.log;
fi
```



Note Consider using move (**mv**) or copy (**cp**) commands to store the previous week's syslog files in a different disk partition to reserve space for the current syslog file.

Using a cron Program to Manage the Syslog Files

To add this **crontab** segment to the existing **cron** facility in **/usr/spool/cron/crontabs** directory, complete the following steps at the syslog server console:

-
- Step 1** Log in as user **root**.
- Step 2** Enter the following command:
- ```
crontab -e
```
-

# Server Up/Down Status Change Logging

Prime Access Registrar supports RADIUS server up/down detection and logging. The information messages are saved in the `$INSTALL/logs/name_radius_1_log` file where `$INSTALL` is the Prime Access Registrar installation directory. Each message consists of a header and a message description.

## Header Formats

The format of a header entry is:

```
mml/dd/yyyy HH:MM:SS name/radius/n Error Server 0
```

## Example Log Messages

Following are the descriptions and types of messages that can be found within the `<AR_install_dir>/logs/name_radius_1_log` file:

1. Prime Access Registrar detects a Remote Server when it responds for the first time or after it is reentered into Prime Access Registrar's server pool for retry. The format of the message is:

Remote Server `<hostname>` (`<ipaddress>`:`<port>`) is UP!

The following is an example header and message:

```
10/12/2013 17:56:32 name/radius/1 Error Server 0
Remote Server dave-ultra (171.69.127.99:1812) is UP!
```

Prime Access Registrar detects the Remote Server is not responding to its request. The format of the message is:

Remote Server `<hostname>` (`<ipaddress>`:`<port>`) is DOWN!

The following is an example header and message:

```
10/12/2013 17:57:12 name/radius/1 Error Server 0 Remote
server dave-ultra (171.69.127.99:1812) is DOWN!
```

2. Prime Access Registrar receives no response from the Remote Server after the server is reentered into Prime Access Registrar's server pool for retry. The format of the message is:

Remote Server `<hostname>` (`<ipaddress>`:`<port>`) remains DOWN!

The following is an example header and message:

```
10/12/2013 17:56:32 name/radius/1 Error Server 0 Remote
server dave-ultra (171.69.127.99:1812) remains DOWN!
```

3. The Remote Server is responding to the first retry but not the initial request. The format of the message is:

Remote Server `<hostname>` (`<ipaddress>`:`<port>`) is UP but slow!

The following is an example header and message:

```
10/12/2013 17:56:32 name/radius/1 Error Server 0 Remote
server dave-ultra (171.69.127.99:1812) is UP but slow!
```

4. The Remote Server is responding to the second retry request but not the initial request or the first retry request. The format of the message is:

Remote Server *<hostname>* (*<ipaddress>*:*<port>*) is UP but very slow!

The following is an example header and message:

```
10/12/2013 17:56:32 name/radius/1 Error Server 0 Remote
server dave-ultra (171.69.127.99:1812) is UP but very slow!
```

5. The Remote Server has been marked inactive and is being put back into Prime Access Registrar's server pool for later use. The format of the message is:

Remote Server *<hostname>* (*<ipaddress>*:*<port>*) is being reactivated for later use.

The following is an example header and message:

```
10/12/2013 17:56:32 name/radius/1 Error Server 0 Remote
server dave-ultra (209.165.200.224:1812) is being reactivated for later use.
```

## Logging Subscriber Data

Prime Access Registrar stores all subscriber message details including Diameter request and response in a separate log file called **Subscriber\_log** under \$INSTALLPATH/logs folder. To log subscriber data for a selected Diameter client or remote server, you must set the corresponding **UserLogEnabled** parameter to True.

### Message Format:

```
Date | Time | Diameter-Message-Type | User-Name (IMSI) \
| MSISDN | Subscirption-Id | Origin-Host | Host-IP-Address | Product-Name | Origin-Realm | Destin\
ation-Host | APN-Name | Session-id | Result_Code | Result-Description | UELocalIPAddress | Non-3\
GPP-IP-Access
```





# Troubleshooting Cisco Prime Access Registrar

This chapter provides information about techniques used when troubleshooting Cisco Access Registrar (Prime Access Registrar) and highlights common problems.

This chapter contains the following sections:

- [Gathering Basic Information](#)
- [Troubleshooting Quick Checks](#)
- [aregcmd and Cisco Prime Access Registrar Configuration](#)
- [RADIUS Request Processing](#)
- [Other Troubleshooting Techniques and Resources](#)
- [Checking Prime Access Registrar Server Health Status](#)

## Gathering Basic Information

Table 10-1 lists UNIX commands that provide basic and essential information to help you understand the Prime Access Registrar installation environment.

**Table 10-1** UNIX Commands to Gather Information

| UNIX Command                   | Information Returned                                                                                 |
|--------------------------------|------------------------------------------------------------------------------------------------------|
| <code>/usr/bin/uname -r</code> | Release level                                                                                        |
| <code>/usr/bin/uname -i</code> | Machine hardware name                                                                                |
| <code>/usr/bin/uname -v</code> | OS version                                                                                           |
| <code>/usr/bin/uname -a</code> | All system information including hostname, operating system type and release, machine model and type |
| <code>/usr/sbin/prtconf</code> | System configuration information including memory capacity, machine type, and peripheral equipment   |
| <code>/usr/sbin/df -k</code>   | File system disk space usage including partitions, capacity, and space used                          |
| <code>/usr/bin/ps -ef</code>   | Currently running processes                                                                          |

Table 10-1 UNIX Commands to Gather Information (continued)

| UNIX Command                            | Information Returned                                                                                |
|-----------------------------------------|-----------------------------------------------------------------------------------------------------|
| <code>/usr/sbin/psinfo -v</code>        | Information about processors                                                                        |
| <code>/usr/bin/pkginfo -l CSC0ar</code> | Software package information about Prime Access Registrar version number and installation directory |

**Note**

More information about these commands and their options is available using the **man** command in a terminal window on the Sun workstation.

## Troubleshooting Quick Checks

Many of the most common problems can be diagnosed by doing the following:

- Check disk space
- Check for resource conflicts
- Check the Prime Access Registrar log files

## Disk Space

Running out of disk space can cause a number of problems including:

- Failure to process RADIUS requests
- Parts of the Prime Access Registrar configuration *disappearing* in **aregcmd**
- Failure to log into **aregcmd**

Check that the Prime Access Registrar installation partition (**\$INSTALL**) and **/tmp** are not at capacity.

## Resource Conflicts

Resource conflicts are a common reason for the Cisco Prime Access Registrar server failing to start. The most common resource conflicts are the following:

- Cisco Network Registrar is running on the Prime Access Registrar server
- Another application is also using ports 1812 and 1813
- A network management application is using the Sun SNMP Agent

## No Co-Existence With Cisco Network Registrar

Cisco Network Registrar cannot coexist on a machine running Prime Access Registrar for this reason. You can determine if CNR is running by entering the following command line in a terminal window:

```
pkginfo | grep -i "network registrar"
```

## Port Conflicts

The default ports used by the Prime Access Registrar server are ports 1812 and 1813. You should check to determine that no other applications are listening on the same ports as Prime Access Registrar.

You can check to see which TCP ports are in use by entering the following command line:

```
netstat -aP tcp
```

You can check to see which UDP ports are in use by entering the following command line:

```
netstat -aP udp
```



### Note

If you configure the Prime Access Registrar server to use ports other than the default, you will have to specifically add those ports if you want to use them.

## Cisco Prime Access Registrar Log Files

Examining the Prime Access Registrar log files can help you diagnose most Prime Access Registrar issues. By default, the Prime Access Registrar log files are located in `/opt/CSCOar/logs`. [Table 10-2](#) lists the Prime Access Registrar log files and the information stored in each log.

**Table 10-2** Prime Access Registrar Log Files

| Log File                         | Information Recorded                                                                                                                                                       |
|----------------------------------|----------------------------------------------------------------------------------------------------------------------------------------------------------------------------|
| <code>agent_server_1_log</code>  | Log of the server agent process                                                                                                                                            |
| <code>ar-status</code>           | Log of Prime Access Registrar stop and start using the <code>arserver</code> utility                                                                                       |
| <code>aregcmd_log</code>         | Log of commands executed in <code>aregcmd</code> (very useful for tracing the steps that took place before a problem occurred)                                             |
| <code>config_mcd_1_log</code>    | Log of the mcd internal database                                                                                                                                           |
| <code>name_radius_1_log</code>   | Log of the radius server process                                                                                                                                           |
| <code>name_radius_1_trace</code> | Debugging output of RADIUS request processing (only generated when the trace level, set in <code>aregcmd</code> , is greater than zero)                                    |
| <code>m3ua</code>                | System logs related to stack including m3ua client and stack manager; and radius communication logs related to m3ua stack.<br><br>These are typically low level debug logs |
| <code>Subscriber_log</code>      | Log that records all subscriber messages including Diameter request and response in a separate log file in the <code>\$INSTALLPATH/logs</code> folder.                     |

## Modifying File Sizes for Agent Server and MCD Server Logs

The two parameters added to the `car.conf` file under `$BASEDIR/conf` affect the `agent_server_logs` and `config_mcd_server_logs` logs files:

- `AGENT_SERVER_LOG_SIZE` (10 MB by default)
- `AGENT_SERVER_LOG_FILES` (2 by default)

You will find these new parameters at the beginning of the `car.conf` file. When the log file size reaches the value set in `AGENT_SERVER_LOG_SIZE`, a rollover of the `agent_server_log_file` occurs. The value set in `AGENT_SERVER_LOG_FILES` specifies the number of log files to be created.

## Using xtail to Monitor Log File Activity

A useful way of monitoring all of the log files is to run `xtail`, a utility provided with Prime Access Registrar. The `xtail` program monitors one or more files and displays all data written to a file since command invocation.

Run `xtail` in a dedicated terminal window. It is very useful for monitoring multiple logfiles simultaneously, such as with a command line like the following:

```
xtail $INSTALL/logs/*
```



**Note**

---

Cisco AR 4.1.5 and later include the millisecond field in the logs' timestamp.

---

## Modifying the Trace Level

By modifying the trace level, you can gather more detailed information in the log files about what is happening in the Prime Access Registrar server. There are five different trace levels. Each higher trace level also includes the information logged using lower trace levels. The different trace levels provide the following information:

- Level 0—No tracing occurs
- Level 1—Indicates when a packet is sent or received and when a status change occurs in a remote server (RADIUS Proxy and LDAP)
- Level 2—Information includes the following:
  - Which services and session managers are used to process
  - Which client and vendor objects are being used to process a packet
  - More details about remote servers (RADIUS Proxy and LDAP), packet transmission, and timeouts
  - Details about poorly-formed packets.
- Level 3—Information includes the following:
  - Tracing of errors in Tcl scripts when referencing invalid RADIUS attributes
  - Which scripts have been run
  - Details about local userlist processing
- Level 4—Information includes the following:
  - Advanced duplication detection processing



- Details about creating, updating, and deleting sessions
- Tracing of all APIs called during the running of a script
- Level 5—Provides information about policy engine operations

## Installation and Server Process Start-up

The installation process installs the Prime Access Registrar software to the specified installation directory and then starts the server processes. This process rarely fails but the following checks should always be performed:

- Ensure that there is an **installation success message** at the end of the **pkgadd** dialog, otherwise check the dialog for the problem
- Follow the installation instructions carefully especially when performing an upgrade. For example, when upgrading to 1.6R1, 1.6R2, or 1.6R3, a post-installation upgrade script needs to be run
- Pay attention to the information included in README files

At the end of a successful installation, **arstatus** should show the following four server processes:

```
> $INSTALL/usrbin/arstatus
AR RADIUS server running (pid: 6285)
AR MCD lock manager running (pid: 6284)
AR MCD server running (pid: 6283)
AR Server Agent running (pid: 6277)
```

If any of the above processes are not displayed, check the log file of the failed process to determine the reason. The MCD processes might fail to start if Cisco Network Registrar is installed on the same machine.

The manual method of starting and stopping the Prime Access Registrar processes is using the **arserver** utility.

To start Prime Access Registrar processes: **arserver start**

To stop Prime Access Registrar processes: **arserver stop**

To restart Prime Access Registrar processes: **arserver restart**

## aregcmd and Cisco Prime Access Registrar Configuration

While troubleshooting, you should always use the **aregcmd** command trace to turn on tracing. With tracing active, Prime Access Registrar generates debugging output to the log file **name\_radius\_1\_trace**. The syntax is:

```
trace [<server>] [<level>]
```

When you do not specify a server, Prime Access Registrar sets the trace level for all servers in the current cluster. When you do not specify a trace level, the currently set level is used. The default trace level is 0.

## Running and Stopped States

Prime Access Registrar can be in two states, running or stopped. In either state, all four Prime Access Registrar processes remain running. The state of Prime Access Registrar will be displayed when logging into **aregcmd** or by using the **aregcmd status** command:

**status**

```
Server 'Radius' is Running, its health is 10 out of 10\
```

The **start** and **stop** commands allow Prime Access Registrar to move between states. **Reload** is equivalent to a **stop** followed by a **start** if Prime Access Registrar is already running, and just a **start** if it is already stopped.

**stop**

```
Stopping Server 'Radius'...
Server 'Radius' is Stopped
```

**start**

```
Starting Server 'Radius'...
Server 'Radius' is Running, its health is 10 out of 10
```

**reload**

```
Reloading Server 'Radius'...
Server 'Radius' is Running, its health is 10 out of 10
```

During the transition from running to stopped, Prime Access Registrar stops processing new RADIUS requests and releases resources such as memory, network and database connections and open files.

During the transition from stopped to running, Prime Access Registrar reverses this process by opening a connection with its internal database, reading configuration data, claiming memory, establishing network connections, opening files, and initializing scripts. During this transition, problems can occur. Prime Access Registrar might fail to start and display the following:

**reload**

```
Reloading Server 'Radius'...
310 Command failed
```

Prime Access Registrar failed to move from stopped state to running:

**status**

```
Server 'Radius' is Stopped
```

This might occur for a number of reasons including the following:

- An invalid configuration
- Insufficient memory
- Listening ports already in use by another application
- Unable to open files
- Unable to initialize scripts

Check the **name\_radius\_1\_log** file for the one of these indications.

# RADIUS Request Processing

The main technique for troubleshooting RADIUS request processing in Prime Access Registrar is to examine the **name\_radius\_1\_trace** log file with the trace level set to 5. Most issues are fairly self-explanatory. Some issues that can arise are as follows:

- Prime Access Registrar has marked a remote server as *down*
- A resource manager has run out of resources (for example, user or group session limit has been reached or no more IP addresses are available)
- A configuration error (such as an accounting service not being set)
- A run time error in a script

Some issues are not immediately evident from the log files though, such as the following:

- Failure to save or reload Prime Access Registrar after a configuration change
- Prime Access Registrar is not listening on the correct UDP ports for RADIUS requests

## Other Troubleshooting Techniques and Resources

### aregcmd Stats Command

The **aregcmd** command **stats** provides statistics on request processing.

--> **stats**

```
Global Statistics for Radius:
serverStartTime = Tue Oct 2 10:28:02 2013
serverResetTime = Tue Oct 2 20:25:12 2013
serverState = Running
totalPacketsInPool = 1024
totalPacketsReceived = 0
totalPacketsSent = 0
totalRequests = 0
totalResponses = 0
totalAccessRequests = 0
totalAccessAccepts = 0
totalAccessChallenges = 0
totalAccessRejects = 0
totalAccessResponses = 0
totalAccountingRequests = 0
totalAccountingResponses = 0
totalStatusServerRequests = 0
totalAscendIPAAAllocateRequests = 0
totalAscendIPAAAllocateResponses = 0
totalAscendIPAReleaseRequests = 0
totalAscendIPAReleaseResponses = 0
totalUSRNASRebootRequests = 0
totalUSRNASRebootResponses = 0
totalUSRResourceFreeRequests = 0
totalUSRResourceFreeResponses = 0
```

```

totalUSRQueryResourceRequests = 0
totalUSRQueryResourceResponses = 0
totalUSRQueryReclaimRequests = 0
totalUSRQueryReclaimResponses = 0
totalPacketsInUse = 0
totalPacketsDrained = 0
totalPacketsDropped = 0
totalPayloadDecryptionFailures = 0

Global Statistics for Radius:
serverStartTime = Sat Dec 7 07:37:52 2013
serverResetTime = Sat Dec 7 07:37:52 2013
serverState = Running
cdbpLocalStatsTotalUpTime = 1486 seconds
cdbpLocalResetTime = 1486 seconds
cdbpLocalStatsTotalPacketsIn = 30
cdbpLocalStatsTotalPacketsOut = 30
cdbpLocalStatsTotalPacketsInUse = 0

```

## Core Files

A core file in the Prime Access Registrar installation directory is an indication that Prime Access Registrar has crashed and restarted. Check that the radius server process generated the core file using the UNIX **file** command:

```
> file core
```

```
core: ELF 32-bit MSB core file SPARC Version 1, from 'radius'
```

Check the timestamp on the core file and look for corresponding log messages in the **name\_radius\_1\_log** file in **\$INSTALL/logs**. The word *assertion* commonly appears in core messages. Try to establish what caused the problem and contact Cisco TAC.

## radclient

The Prime Access Registrar package provides a utility called **radclient** that allows RADIUS requests to be generated. Use **radclient** to test configurations and troubleshoot problems.

## Cisco Prime Access Registrar Replication

For more information about using Prime Access Registrar replication, see [Chapter 4, “Replication Log.”](#)

## Checking Prime Access Registrar Server Health Status

To check the server’s health, use the **aregcmd status** command. The following issues decrement the server’s health:

- Multiple occurrences of Access-Request rejection

**Note**

---

One of the parameters in the calculation of the Prime Access Registrar server's health is the percentage of responses to Access-Accepts that are rejections. In a healthy environment, the rejection percentage will be fairly low. An extremely high percentage of rejections could be an indication of a Denial of Service attack.

---

- Configuration errors
- Running out of memory
- Errors reading from the network
- Dropping packets that cannot be read (because the server ran out of memory)
- Errors writing to the network.

Prime Access Registrar logs all of these conditions. Sending multiple successful responses to any packet, increments the server's health.





# Cisco Prime Access Registrar Tcl, REX, and Java Dictionaries

---

This appendix describes the Tcl and REX dictionaries that are used when writing Incoming or Outgoing scripts.

A dictionary is a data structure that contains key/value pairs. Two types of dictionaries exist: the Attribute dictionaries (used by the Request and Response dictionaries), and the Environment dictionary.

This section contains the dictionaries you reference when writing a Tcl script and the dictionaries you reference when you write a script using the shared libraries (REX—RADIUS EXtension).

This appendix section also describes the following Java attribute dictionary:

- [Tcl Attribute Dictionaries](#)
- [REX Attribute Dictionary](#)
- [Java Attribute Dictionary](#)

## Tcl Attribute Dictionaries

An *Attribute dictionary* is a dictionary in which the keys are constrained to be the names of attributes as defined in the Prime Access Registrar server configuration, and the values are the string representation of the legal values for that particular attribute. For example, IP addresses are specified by the dotted-decimal string representation of the address, and enumerated values are specified by the name of the enumeration. This means numbers are specified by the string representation of the number.

Attribute dictionaries have the unusual feature that there can be more than one instance of a particular key in the dictionary. These instances are ordered, with the first instance at index zero. Some of the methods of an Attribute dictionary allow an index to be specified to indicate a particular instance or position in the list of instances to be referenced. This section contains the following topics:

- [Attribute Dictionary Methods](#)
- [Tcl Environment Dictionary](#)

## Attribute Dictionary Methods

Attribute dictionaries use active commands, called *methods*, that allow you to change and access the values in the dictionaries. [Table A-1](#) lists of all of the methods you can use with the Request and Response dictionaries.

Table A-1 Tcl Attribute Dictionary Methods

| Name               | Syntax                                                                  | Description                                                                                                                                                                                                                                                                                                                                                                                                                                                                                                                                                                                                                                                                                               |
|--------------------|-------------------------------------------------------------------------|-----------------------------------------------------------------------------------------------------------------------------------------------------------------------------------------------------------------------------------------------------------------------------------------------------------------------------------------------------------------------------------------------------------------------------------------------------------------------------------------------------------------------------------------------------------------------------------------------------------------------------------------------------------------------------------------------------------|
| <b>addProfile</b>  | <b>\$dict addProfile</b> <profile> [ <i>&lt;mode&gt;</i> ]              | Copies all of the attributes in the profile <profile> into the dictionary. Note, <profile> must be the name of one of the profiles listed in the server configuration. When <mode> is not provided or when <mode> equals the special value <b>REPLACE</b> , any duplicate instances of the attributes in the dictionary are replaced with the attribute from <profile>. When <mode> is provided and equals the special value <b>APPEND</b> , new instances of the attributes are appended to the attributes already in the dictionary. When <mode> is provided and equals the special value <b>AUGMENT</b> , only add the attribute when it does not already exist.                                       |
| <b>clear</b>       | <b>\$dict clear</b>                                                     | Removes all entries from the dictionary.                                                                                                                                                                                                                                                                                                                                                                                                                                                                                                                                                                                                                                                                  |
| <b>containsKey</b> | <b>\$dict containsKey</b> <attribute>                                   | Returns 1 when the dictionary contains the attribute <attribute>, otherwise returns 0.                                                                                                                                                                                                                                                                                                                                                                                                                                                                                                                                                                                                                    |
| <b>firstKey</b>    | <b>\$dict firstKey</b>                                                  | Returns the name of the first attribute in the dictionary. Note, the attributes are not stored in a sorted order of name.                                                                                                                                                                                                                                                                                                                                                                                                                                                                                                                                                                                 |
| <b>get</b>         | <b>\$dict get</b> <attribute> [ <i>&lt;index&gt;</i> ] [ <b>bMore</b> ] | Returns the value of the <attribute> attribute from the dictionary, represented as a string. When the dictionary does not contain the <attribute>, an empty string is returned.<br><br>When <index> is provided, return the <index>'th instance of the attribute. Some attributes can appear more than once in the request (or response) packet. The <index> argument is used to select which instance to return.<br><br>When <b>bMore</b> is provided, the <b>get</b> method sets <b>bMore</b> to 1 when more attributes exist after the one returned, and to 0 otherwise. You can use this to determine whether another call to <b>get</b> should be made to retrieve other instances of the attribute. |
| <b>isEmpty</b>     | <b>\$dict isEmpty</b>                                                   | Returns 1 when the dictionary has no entries, otherwise returns 0.                                                                                                                                                                                                                                                                                                                                                                                                                                                                                                                                                                                                                                        |
| <b>log</b>         | <b>\$dict log</b> <level> <message> ...                                 | Outputs a message into the RADIUS server's logging system. The <level> should be either <b>LOG_ERROR</b> , <b>LOG_WARNING</b> , or <b>LOG_INFO</b> . The remaining arguments are concatenated together and sent to the logging system at the specified level.                                                                                                                                                                                                                                                                                                                                                                                                                                             |



Table A-1 Tcl Attribute Dictionary Methods (continued)

| Name           | Syntax                                                         | Description                                                                                                                                                                                                                                                                                                                                                                                                                                                                                                                                                                                                                                                |
|----------------|----------------------------------------------------------------|------------------------------------------------------------------------------------------------------------------------------------------------------------------------------------------------------------------------------------------------------------------------------------------------------------------------------------------------------------------------------------------------------------------------------------------------------------------------------------------------------------------------------------------------------------------------------------------------------------------------------------------------------------|
| <b>nextKey</b> | <b>\$dict nextKey</b>                                          | Returns the name of the next attribute in the dictionary that follows the attribute returned in the last call to <b>firstKey</b> or <b>nextKey</b> .                                                                                                                                                                                                                                                                                                                                                                                                                                                                                                       |
| <b>put</b>     | <b>\$dict put</b> <attribute> <value> [ <i>&lt;index&gt;</i> ] | Associates <value> with the attribute <attribute> in the dictionary. When <index> is not provided or when <index> equals the special value <b>REPLACE</b> , any existing instances of <attribute> are replaced with the single value. When <index> is provided and equals the special value <b>APPEND</b> , a new instance of <attribute> is appended to the end of the list of instances of the <attribute>. When <index> is provided and is a number, a new instance of <attribute> is inserted at the position indicated. When <index> is provided and equals the special value <b>AUGMENT</b> , only put the attribute when it does not already exist. |
| <b>remove</b>  | <b>\$dict remove</b> <attribute> [ <i>&lt;index&gt;</i> ]      | Removes the <attribute> attribute from the dictionary. When <index> is not provided or when <index> equals the special value <b>REMOVE_ALL</b> , remove any existing instances of <attribute>. When <index> is provided and is a number, remove the instance of <attribute> at the position indicated.<br><br>Always returns 1, even when the dictionary did not contain the <attribute> at that <index>.                                                                                                                                                                                                                                                  |
| <b>size</b>    | <b>\$dict size</b>                                             | Returns the number of entries in the dictionary.                                                                                                                                                                                                                                                                                                                                                                                                                                                                                                                                                                                                           |
| <b>trace</b>   | <b>\$dict trace</b> <level> <message> ...                      | Outputs a message into the packet tracing system used by the RADIUS server. At level 0, no tracing occurs. At level 1, only an indication the server received the packet and sent a reply is output. As the number gets higher, the amount of information output increases, until at level 4, where everything is traced as output. The remaining arguments are concatenated and sent to the tracing system at the specified level.                                                                                                                                                                                                                        |

## Tcl Environment Dictionary

A dictionary is a data structure that contains key/value pairs. An Environment dictionary is a dictionary in which the keys and values are constrained to be strings. The Tcl Environment dictionary is used to communicate information from the script to the server and from script to script within the processing of a particular request. Note, there can be only one instance of a key in the Environment dictionary.

Table A-2 lists of all the methods you can use with the Request and Response dictionaries.

**Table A-2** *Tcl Environment Dictionary Methods*

| Name               | Syntax                                              | Description                                                                                                                                                                                                                                                                                                                                                                                                                                       |
|--------------------|-----------------------------------------------------|---------------------------------------------------------------------------------------------------------------------------------------------------------------------------------------------------------------------------------------------------------------------------------------------------------------------------------------------------------------------------------------------------------------------------------------------------|
| <b>clear</b>       | <b>\$dict clear</b>                                 | Removes all entries from the dictionary.                                                                                                                                                                                                                                                                                                                                                                                                          |
| <b>containsKey</b> | <b>\$dict containsKey &lt;key&gt;</b>               | Returns 1 when the dictionary contains the <key> key, otherwise returns 0.                                                                                                                                                                                                                                                                                                                                                                        |
| <b>firstKey</b>    | <b>\$dict firstKey</b>                              | Returns the name of the first key in the dictionary. Note, the keys are not stored sorted by name.                                                                                                                                                                                                                                                                                                                                                |
| <b>get</b>         | <b>\$dict get &lt;key&gt;</b>                       | Returns the value of <key> from the dictionary. When the dictionary does not contain the <key>, an empty string is returned.                                                                                                                                                                                                                                                                                                                      |
| <b>isEmpty</b>     | <b>\$dict isEmpty</b>                               | Returns 1 when the dictionary has no entries, otherwise returns 0.                                                                                                                                                                                                                                                                                                                                                                                |
| <b>log</b>         | <b>\$dict log &lt;level&gt; &lt;message&gt; ...</b> | Outputs a message into the logging system used by the RADIUS server. <level> should be one of <b>LOG_ERROR</b> , <b>LOG_WARNING</b> , or <b>LOG_INFO</b> . The remaining arguments are concatenated together and sent to the logging system at the specified level.                                                                                                                                                                               |
| <b>nextKey</b>     | <b>\$dict nextKey</b>                               | Returns the name of the next key in the dictionary that follows the key returned in the last call to <b>firstKey</b> or <b>nextKey</b> .                                                                                                                                                                                                                                                                                                          |
| <b>put</b>         | <b>\$dict put &lt;key&gt; &lt;value&gt;</b>         | Associates <value> with the <key> key in the dictionary, replacing an existing instance of <key> with the new value.                                                                                                                                                                                                                                                                                                                              |
| <b>remove</b>      | <b>\$dict remove &lt;key&gt;</b>                    | Removes the <key> key from the dictionary. Always returns 1, even when the dictionary did not contain the <key>.                                                                                                                                                                                                                                                                                                                                  |
| <b>size</b>        | <b>\$dict size</b>                                  | Returns the number of entries in the dictionary.                                                                                                                                                                                                                                                                                                                                                                                                  |
| <b>trace</b>       | <b>\$dict &lt;level&gt; &lt;message&gt; ...</b>     | Outputs a message into the packet tracing system used by the RADIUS server. At level 0, no tracing occurs. At level 1, only an indication the server received the packet and sent a reply is output. As the number gets higher, the amount of information output is greater, until at level 4, where everything the is traced as output. The remaining arguments are concatenated together and sent to the tracing system at the specified level. |

# REX Attribute Dictionary

A dictionary is a data structure that contains key/value pairs. An Attribute dictionary is a dictionary in which the keys are constrained to be the attributes as defined in the RADIUS server configuration and the values are constrained to be legal values for that particular attribute. Attribute dictionaries have the unusual feature that there can be more than one instance of a particular key in the dictionary. These instances are ordered, with the first instance at index 0. Some of the methods of an Attribute dictionary allow an index to be specified to indicate a particular instance or position in the list of instances to be referenced.

When writing REX scripts, you can specify keys as the string representation of the name of the attribute or by type, which is a byte sequence defining the attribute. The values can also be specified as the string representation of the value or as the byte sequence, which is the attribute. These options mean some of these access methods have four different variations that are the combinations of string or type for the key, and string or bytes for the value. This section contains the following topics:

- [Attribute Dictionary Methods](#)
- [REX Environment Dictionary](#)

## Attribute Dictionary Methods

Attribute dictionaries use active commands, called *methods*, that allow you to change and access the values in the dictionaries.

[Table A-3](#) lists all of the methods you can use with the Request and Response dictionaries.

**Table A-3** REX Attribute Dictionary Methods

| Name                  | Syntax                                                                                                                       | Description                                                                                                                                                                                                                                                                                                                                                                                                                                                                                                                                                                                                                                                 |
|-----------------------|------------------------------------------------------------------------------------------------------------------------------|-------------------------------------------------------------------------------------------------------------------------------------------------------------------------------------------------------------------------------------------------------------------------------------------------------------------------------------------------------------------------------------------------------------------------------------------------------------------------------------------------------------------------------------------------------------------------------------------------------------------------------------------------------------|
| <b>addProfile</b>     | <b>abool_t<br/>pDict-&gt;addProfile(rex_AttributeDictionary_t* pDict, const char* &lt;pszProfile&gt;, int &lt;iMode&gt;)</b> | Copies all of the attributes in the <pszProfile> profile into the dictionary. Note, <pszProfile> must be the name of one of the profiles listed in the server configuration. When <iMode> equals the special value <b>REX_REPLACE</b> , it replaces any duplicate instances of the attributes in the dictionary with the attribute from the profile. When <iMode> equals the special value <b>REX_APPEND</b> , it appends a new instance of the attributes to any attributes already in the dictionary. When <iMode> equals the special value <b>REX_AUGMENT</b> , it adds the attribute in the dictionary, if it does not already exist in the dictionary. |
| <b>allocateMemory</b> | <b>void*<br/>pDict-&gt;allocateMemory(rex_AttributeDictionary_t* pDict, unsigned int &lt;iSize&gt;)</b>                      | Allocates memory for use in scripts that persist only for the lifetime of this request. This memory is released when processing for this request is complete.                                                                                                                                                                                                                                                                                                                                                                                                                                                                                               |

Table A-3 REX Attribute Dictionary Methods (continued)

| Name                     | Syntax                                                                                                                                              | Description                                                                                                                                                                                                                                                                                                                                                                                                                                                                                                                                   |
|--------------------------|-----------------------------------------------------------------------------------------------------------------------------------------------------|-----------------------------------------------------------------------------------------------------------------------------------------------------------------------------------------------------------------------------------------------------------------------------------------------------------------------------------------------------------------------------------------------------------------------------------------------------------------------------------------------------------------------------------------------|
| <b>clear</b>             | <b>void</b><br><b>pDict-&gt;clear(rex_AttributeDictionary_t* pDict)</b>                                                                             | Removes all entries from the dictionary.                                                                                                                                                                                                                                                                                                                                                                                                                                                                                                      |
| <b>containsKey</b>       | <b>abool_t</b><br><b>pDict-&gt;containsKey(rex_AttributeDictionary_t* pDict, const char* &lt;pszAttribute&gt;)</b>                                  | Returns TRUE when the dictionary contains <pszAttribute>, otherwise returns FALSE.                                                                                                                                                                                                                                                                                                                                                                                                                                                            |
| <b>containsKeyByType</b> | <b>abool_t</b><br><b>pDict-&gt;containsKeyByType(rex_AttributeDictionary_t* pDict, const abytes_t* &lt;pAttribute&gt;)</b>                          | Returns TRUE when the dictionary contains <pAttribute>, otherwise returns FALSE.                                                                                                                                                                                                                                                                                                                                                                                                                                                              |
| <b>firstKey</b>          | <b>const char*</b><br><b>pDict-&gt;firstKey(rex_AttributeDictionary_t* pDict)</b>                                                                   | Returns the name of the first attribute in the dictionary. Note, the attributes are not stored in a sorted order of name.                                                                                                                                                                                                                                                                                                                                                                                                                     |
| <b>firstKeyByType</b>    | <b>const abytes_t*</b><br><b>pDict-&gt;firstKeyByType(rex_AttributeDictionary_t* pDict)</b>                                                         | Returns a pointer to the byte sequence defining the first attribute in the dictionary. Note, attributes are not stored sorted by name.                                                                                                                                                                                                                                                                                                                                                                                                        |
| <b>get</b>               | <b>const char*</b><br><b>pDict-&gt;get(rex_AttributeDictionary_t* pDict, const char* pszAttribute, int &lt;iIndex&gt;, abool_t* &lt;pbMore&gt;)</b> | Returns the value of the <iIndex>'d instance of the attribute from the dictionary, represented as a string. When the dictionary does not contain the attribute (or that many instances of the attribute), an empty string is returned.<br><br>When <pbMore> is non-zero, the <b>get</b> method sets <pbMore> to TRUE when more instances of the attribute exist after the one returned, and to FALSE otherwise. This can be used to determine whether another call to <b>get</b> should be made to retrieve other instances of the attribute. |

Table A-3 REX Attribute Dictionary Methods (continued)

| Name                  | Syntax                                                                                                                                                                                              | Description                                                                                                                                                                                                                                                                                                                                                                                                                                                                                                                                          |
|-----------------------|-----------------------------------------------------------------------------------------------------------------------------------------------------------------------------------------------------|------------------------------------------------------------------------------------------------------------------------------------------------------------------------------------------------------------------------------------------------------------------------------------------------------------------------------------------------------------------------------------------------------------------------------------------------------------------------------------------------------------------------------------------------------|
| <b>getBytes</b>       | <b>const abytes_t*</b><br><b>pDict-&gt;getBytes(rex_AttributeDictionary_t* pDict, const char*</b><br><b>pszAttribute, int &lt;iIndex&gt;, abool_t*</b><br><b>&lt;pbMore&gt;)</b>                    | Returns the value of the <iIndex>'d instance of the attribute from the dictionary, as a sequence of bytes. When the dictionary does not contain the attribute (or that many instances of the attribute), 0 is returned.<br><br>When <pbMore> is non-zero, the <b>getBytes</b> method sets <pbMore> to TRUE when more instances of the attribute exist after the one returned, and to FALSE otherwise. This can be used to determine whether another call to <b>getBytes</b> should be made to retrieve other instances of the attribute.             |
| <b>getBytesByType</b> | <b>const abytes_t*</b><br><b>pDict-&gt;getBytesByType</b><br><b>(rex_AttributeDictionary_t* pDict,</b><br><b>const abytes_t* pAttribute, int</b><br><b>&lt;iIndex&gt;, abool_t* &lt;pbMore&gt;)</b> | Returns the value of the <iIndex>'d instance of the attribute from the dictionary, as a sequence of bytes. When the dictionary does not contain the attribute (or that many instances of the attribute), 0 is returned instead.<br><br>When <pbMore> is non-zero, sets the variable pointed to TRUE when more instances of the attribute exist after the one returned, and to FALSE otherwise. This can be used to determine whether another call to <b>get</b> should be made to retrieve other instances of the attribute.                         |
| <b>getType</b>        | <b>const char*</b><br><b>pDict-&gt;get(rex_AttributeDictionary_t* pDict, const abytes_t*</b><br><b>&lt;pszAttribute&gt;, int &lt;iIndex&gt;,</b><br><b>abool_t* &lt;pbMore&gt;)</b>                 | Returns the value of the <iIndex>'d instance of the attribute from the dictionary, as represented as a string. When the dictionary does not contain the attribute (or that many instances of the attribute), returns an empty string.<br><br>When <pbMore> is non-zero, the <b>getType</b> method sets <pbMore> to TRUE when more instances of the attribute exist after the one returned, and to FALSE otherwise. This can be used to determine whether another call to <b>getType</b> should be made to retrieve other instances of the attribute. |
| <b>getType</b>        | <b>const char*</b><br><b>pDict-&gt;getType(rex_AttributeDictionary_t* pDict, const abytes_t*</b><br><b>&lt;pAttribute&gt;)</b>                                                                      | Returns a pointer to the byte sequence defining the attribute, when the attribute name matches a configured attribute, zero otherwise.                                                                                                                                                                                                                                                                                                                                                                                                               |

Table A-3 REX Attribute Dictionary Methods (continued)

| Name          | Syntax                                                                                                                                                                 | Description                                                                                                                                                                                                                                                                                                                                                                                                                                                                                                                                                                                                                                                                                                                                                                                                                                                                    |
|---------------|------------------------------------------------------------------------------------------------------------------------------------------------------------------------|--------------------------------------------------------------------------------------------------------------------------------------------------------------------------------------------------------------------------------------------------------------------------------------------------------------------------------------------------------------------------------------------------------------------------------------------------------------------------------------------------------------------------------------------------------------------------------------------------------------------------------------------------------------------------------------------------------------------------------------------------------------------------------------------------------------------------------------------------------------------------------|
| isEmpty       | <pre> <b>abool_t</b> <b>pDict-&gt;isEmpty(rex_AttributeDictionary_t* pDict)</b> </pre>                                                                                 | Returns TRUE when the dictionary has 0 entries, FALSE otherwise.                                                                                                                                                                                                                                                                                                                                                                                                                                                                                                                                                                                                                                                                                                                                                                                                               |
| log           | <pre> <b>abool_t</b> <b>pDict-&gt;log(rex_AttributeDictionary_t* pDict, int &lt;iLevel&gt;, const char* &lt;pszFormat&gt;, ...)</b> </pre>                             | Outputs a message into the logging system used by the RADIUS server. <iLevel> should be one of <b>REX_LOG_ERROR</b> , <b>REX_LOG_WARNING</b> , or <b>REX_LOG_INFO</b> . The <b>pszFormat</b> argument is treated as a <b>printf</b> -style format string, and it, along with the remaining arguments, are formatted and sent to the logging system at the specified level.                                                                                                                                                                                                                                                                                                                                                                                                                                                                                                     |
| nextKey       | <pre> <b>const char*</b> <b>pDict-&gt;nextKey(rex_AttributeDictionary_t* pDict)</b> </pre>                                                                             | Returns the name of the <i>next</i> attribute in the dictionary that follows the attribute returned in the last call to <b>firstKey</b> or <b>nextKey</b> .                                                                                                                                                                                                                                                                                                                                                                                                                                                                                                                                                                                                                                                                                                                    |
| nextKeyByType | <pre> <b>const abytes_t*</b> <b>pDict-&gt;</b> <b>nextKeyByType(rex_AttributeDictionary_t* pDict)</b> </pre>                                                           | Returns a pointer to the byte sequence defining the next attribute in the dictionary that follows the attribute returned in the last call to <b>firstKeyByType</b> or <b>nextKeyByType</b> .                                                                                                                                                                                                                                                                                                                                                                                                                                                                                                                                                                                                                                                                                   |
| put           | <pre> <b>abool_t</b> <b>pDict-&gt;put(rex_AttributeDictionary_t* pDict, const char* &lt;pszAttribute&gt;, const char* &lt;pszValue&gt;, int &lt;iIndex&gt;)</b> </pre> | Converts <pszValue> to a sequence of bytes, according to the definition of <pszAttribute> in the server configuration. Associates that sequence of bytes with <pszAttribute> in the dictionary. When <iIndex> equals the special value <b>REX_REPLACE</b> , it replaces any existing instances of <pszAttribute> with a single value. When <iIndex> equals the special value <b>REX_APPEND</b> , it appends a new instance of <pszAttribute> to the end of the list of existing instances of <pszAttribute>. Otherwise, a new instance of <pszAttribute> is inserted at the position indicated. This method returns TRUE unless <pszAttribute> does not match any configured attributes or the value could not be converted to a legal value. When <iIndex> equals the special value <b>REX_AUGMENT</b> , only <b>put &lt;pszAttribute&gt;</b> when it does not already exist. |

Table A-3 REX Attribute Dictionary Methods (continued)

| Name           | Syntax                                                                                                                                                                | Description                                                                                                                                                                                                                                                                                                                                                                                                                                                                                                                                                                                                                                                                                                                                                                  |
|----------------|-----------------------------------------------------------------------------------------------------------------------------------------------------------------------|------------------------------------------------------------------------------------------------------------------------------------------------------------------------------------------------------------------------------------------------------------------------------------------------------------------------------------------------------------------------------------------------------------------------------------------------------------------------------------------------------------------------------------------------------------------------------------------------------------------------------------------------------------------------------------------------------------------------------------------------------------------------------|
| putBytes       | <b>abool_t<br/>pDict-&gt;putBytes(rex_AttributeDictionary_t* pDict, const char* &lt;pszAttribute&gt;, const abytes_t* &lt;pValue&gt;, int &lt;iIndex&gt;)</b>         | <p>Associates &lt;pValue&gt; with the attribute &lt;pszAttribute&gt; in the dictionary. When &lt;iIndex&gt; equals the special value <b>REX_REPLACE</b>, it replaces any existing instances of the &lt;pszAttribute&gt; with a single new value. When &lt;iIndex&gt; equals the special value <b>REX_APPEND</b>, it appends a new instance of &lt;pszAttribute&gt; to the end of the list of existing instances of &lt;pszAttribute&gt;. When &lt;iIndex&gt; equals the special value <b>REX_AUGMENT</b>, only put the &lt;pszAttribute&gt; when it does not already exist. Otherwise, a new instance of &lt;pszAttribute&gt; is inserted at the position indicated.</p> <p>This method returns TRUE unless the attribute name does not match any configured attributes.</p> |
| putBytesByType | <b>abool_t<br/>pDict-&gt;putBytesByType(rex_AttributeDictionary_t* pDict, const abytes_t* &lt;pAttribute&gt;, const abytes_t* &lt;pValue&gt;, int &lt;iIndex&gt;)</b> | <p>Associates &lt;pValue&gt; with the attribute &lt;pAttribute&gt; in the dictionary. When &lt;iIndex&gt; equals the special value <b>REX_REPLACE</b>, it replaces any existing instances of &lt;pAttribute&gt; with the new value. When &lt;iIndex&gt; equals the special value <b>REX_APPEND</b>, it appends a new instance of &lt;pAttribute&gt; to the end of the list of existing instances of &lt;pAttribute&gt;. When &lt;iIndex&gt; equals the special value <b>REX_AUGMENT</b>, only put &lt;pAttribute&gt; when it does not already exist. Otherwise, insert a new instance of &lt;pAttribute&gt; at the position indicated.</p> <p>This method returns TRUE unless the attribute name does not match any configured attributes.</p>                               |

Table A-3 REX Attribute Dictionary Methods (continued)

| Name         | Syntax                                                                                                                                                                                                 | Description                                                                                                                                                                                                                                                                                                                                                                                                                                                                                                                                                                                                                                                                                                                                                                                                                                                                              |
|--------------|--------------------------------------------------------------------------------------------------------------------------------------------------------------------------------------------------------|------------------------------------------------------------------------------------------------------------------------------------------------------------------------------------------------------------------------------------------------------------------------------------------------------------------------------------------------------------------------------------------------------------------------------------------------------------------------------------------------------------------------------------------------------------------------------------------------------------------------------------------------------------------------------------------------------------------------------------------------------------------------------------------------------------------------------------------------------------------------------------------|
| putByType    | <pre> <b>abool_t</b> <b>pDict-&gt;putByType(rex_AttributeD</b> <b>ictionary_t* pDict, const abytes_t*</b> <b>&lt;pszAttribute&gt;, const char*</b> <b>&lt;pszValue&gt;, int &lt;iIndex&gt;)</b> </pre> | <p>Converts <i>&lt;pszValue&gt;</i> to a sequence of bytes, according to the definition of <i>&lt;pszAttribute&gt;</i> in the server configuration. Associates that sequence of bytes with <i>&lt;pszAttribute&gt;</i> in the dictionary. When <i>&lt;iIndex&gt;</i> equals the special value <b>REX_REPLACE</b>, it replaces any existing instances of <i>&lt;pszAttribute&gt;</i> with a single new value. When <i>&lt;iIndex&gt;</i> equals the special value <b>REX_APPEND</b>, it appends a new instance of <i>&lt;pszAttribute&gt;</i> to the end of the list of existing instances of <i>&lt;pszAttribute&gt;</i>. Otherwise, it inserts a new instance of <i>&lt;pszAttribute&gt;</i> at the position indicated. This method returns TRUE unless <i>&lt;pszAttribute&gt;</i> does not match any configured attributes, or the value could not be converted to a legal value.</p> |
| remove       | <pre> <b>abool_t</b> <b>pDict-&gt;remove(rex_AttributeDicti</b> <b>onary_t* pDict, const char*</b> <b>&lt;pszAttribute&gt;, int &lt;iIndex&gt;)</b> </pre>                                             | <p>Removes the <i>&lt;pszAttribute&gt;</i> from the dictionary. When <i>&lt;iIndex&gt;</i> equals the special value <b>REX_REMOVE_ALL</b>, removes any existing instances of <i>&lt;pszAttribute&gt;</i>. Otherwise, it removes the instance of <i>&lt;pszAttribute&gt;</i> at the position indicated. Returns TRUE, even when the dictionary did not contain <i>&lt;pszAttribute&gt;</i> at the <i>&lt;iIndex&gt;</i>, unless <i>&lt;pszAttribute&gt;</i> does not match any configured attribute.</p>                                                                                                                                                                                                                                                                                                                                                                                  |
| removeByType | <pre> <b>abool_t</b> <b>pDict-&gt;removeByType(rex_Attribu</b> <b>teDictionary_t* pDict, const</b> <b>abytes_t* &lt;pAttribute&gt;, int</b> <b>&lt;iIndex&gt;)</b> </pre>                              | <p>Removes the <i>&lt;pAttribute&gt;</i> from the dictionary. When <i>&lt;iIndex&gt;</i> equals the special value <b>REX_REMOVE_ALL</b>, it removes any existing instances of <i>&lt;pszAttribute&gt;</i>. Otherwise, the instance of <i>&lt;pAttribute&gt;</i> at the position indicated is removed. Always returns TRUE, even when the dictionary did not contain <i>&lt;pAttribute&gt;</i> at the <i>&lt;iIndex&gt;</i>.</p>                                                                                                                                                                                                                                                                                                                                                                                                                                                          |
| reschedule   | <pre> <b>abool_t</b> <b>pDict-&gt;reschedule(rex_AttributeDi</b> <b>ctionary_t* pDict)</b> </pre>                                                                                                      | <p>Enables control over asynchronous activities. It enables you to collect similar activities and mark them as pending. You can then process them and reschedule them. You can only use this attribute with multithreaded services. Use caution when employing this method.</p>                                                                                                                                                                                                                                                                                                                                                                                                                                                                                                                                                                                                          |



Table A-3 REX Attribute Dictionary Methods (continued)

| Name  | Syntax                                                                                                                             | Description                                                                                                                                                                                                                                                                                                                                                                                                                    |
|-------|------------------------------------------------------------------------------------------------------------------------------------|--------------------------------------------------------------------------------------------------------------------------------------------------------------------------------------------------------------------------------------------------------------------------------------------------------------------------------------------------------------------------------------------------------------------------------|
| size  | <b>int</b><br><b>pDict-&gt;size(rex_AttributeDictionary_t* pDict)</b>                                                              | Returns the number of entries in the dictionary.                                                                                                                                                                                                                                                                                                                                                                               |
| trace | <b>abool_t</b><br><b>pDict-&gt;trace(rex_AttributeDictionary_t* pDict, int &lt;iLevel&gt;, const char* &lt;pszFormat&gt;, ...)</b> | Outputs a message into the packet tracing system used by the RADIUS server. At level 0, no tracing occurs. At level 1, only an indication the packet was received and a reply was sent is output. As the number gets higher, the amount of information output is greater, until at level 4, where everything traceable is output. The remaining arguments are formatted and sent to the tracing system at the specified level. |

## REX Environment Dictionary

A dictionary is a data structure that contains key/value pairs. An Environment dictionary is a dictionary in which the keys and values are constrained to be strings. The REX Environment dictionary is used to communicate information from the script to the server and from script to script within the processing of a particular request. Note, there can be only one instance of a key in the Environment dictionary.

## REX Environment Dictionary Methods

The Environment dictionary uses active commands, called *methods*, to allow you to change and access the values in the dictionary. Table A-4 lists all of the methods you can use with the REX Environment dictionary.

Table A-4 REX Environment Dictionary Methods

| Name           | Syntax                                                                                                          | Description                                                                                                                                                  |
|----------------|-----------------------------------------------------------------------------------------------------------------|--------------------------------------------------------------------------------------------------------------------------------------------------------------|
| allocateMemory | <b>void*</b><br><b>pDict-&gt;allocateMemory(rex_EnvironmentDictionary_t* pDict, unsigned int &lt;iSize&gt;)</b> | Allocate memory for use in scripts that persist only for the lifetime of this request. This memory is released when processing for this request is complete. |
| clear          | <b>void</b><br><b>pDict-&gt;clear(rex_EnvironmentDictionary_t* pDict)</b>                                       | Removes all entries from the dictionary.                                                                                                                     |
| containsKey    | <b>abool_t</b><br><b>pDict-&gt;containsKey(rex_EnvironmentDictionary_t* pDict, const char* &lt;pszKey&gt;)</b>  | Returns TRUE when the dictionary contains <pszKey>, otherwise returns FALSE.                                                                                 |
| firstKey       | <b>const char*</b><br><b>pDict-&gt;firstKey(rex_EnvironmentDictionary_t* pDict)</b>                             | Returns the name of the first key in the dictionary. Note, the keys are not stored sorted by name.                                                           |

Table A-4 REX Environment Dictionary Methods (continued)

| Name              | Syntax                                                                                                                               | Description                                                                                                                                                                                                                                                                                                                                                           |
|-------------------|--------------------------------------------------------------------------------------------------------------------------------------|-----------------------------------------------------------------------------------------------------------------------------------------------------------------------------------------------------------------------------------------------------------------------------------------------------------------------------------------------------------------------|
| <b>get</b>        | <b>const char*</b><br><b>pDict-&gt;get(rex_EnvironmentDictionary_t* pDict, const char* &lt;pszKey&gt;)</b>                           | Returns the value associated with <pszKey> from the dictionary. When the dictionary does not contain <pszKey>, an empty string is returned.                                                                                                                                                                                                                           |
| <b>isEmpty</b>    | <b>abool_t</b><br><b>pDict-&gt;isEmpty(rex_EnvironmentDictionary_t* pDict)</b>                                                       | Returns TRUE when the dictionary has 0 entries, FALSE otherwise.                                                                                                                                                                                                                                                                                                      |
| <b>log</b>        | <b>abool_t</b><br><b>pDict-&gt;log(rex_EnvironmentDictionary_t* pDict, int &lt;iLevel&gt;, const char* &lt;pszFormat&gt;, ...)</b>   | Outputs a message into the logging system used by the RADIUS server. <iLevel> should be one of <b>REX_LOG_ERROR</b> , <b>REX_LOG_WARNING</b> , or <b>REX_LOG_INFO</b> . The <pszFormat> argument is treated as a <b>printf</b> -style format string, and it, along with the remaining arguments, are formatted and sent to the logging system at the specified level. |
| <b>nextKey</b>    | <b>const char*</b><br><b>pDict-&gt;nextKey(rex_EnvironmentDictionary_t* pDict)</b>                                                   | Returns the name of the next key in the dictionary that follows the key returned in the last call to <b>firstKey</b> or <b>nextKey</b> .                                                                                                                                                                                                                              |
| <b>put</b>        | <b>abool_t</b><br><b>pDict-&gt;put(rex_EnvironmentDictionary_t* pDict, const char* &lt;pszValue&gt;, const char* &lt;pszKey&gt;)</b> | Associates the value with <pszKey> in the dictionary, replacing any existing instance of <pszKey> with the new <pszValue>.                                                                                                                                                                                                                                            |
| <b>remove</b>     | <b>abool_t</b><br><b>pDict-&gt;remove(rex_EnvironmentDictionary_t* pDict, const char* &lt;pszKey&gt;)</b>                            | Removes <pszKey> and the associated value from the dictionary. Always returns TRUE, even when the dictionary did not contain <pszKey>                                                                                                                                                                                                                                 |
| <b>reschedule</b> | <b>abool_t</b><br><b>pDict-&gt;reschedule(rex_AttributeDictionary_t* pDict)</b>                                                      | Enables control over asynchronous activities. It enables you to collect similar activities and mark them as pending. You can then process them and reschedule them. You can only use this attribute with multithreaded services. Use caution when employing this method.                                                                                              |

Table A-4 REX Environment Dictionary Methods (continued)

| Name  | Syntax                                                                                                                               | Description                                                                                                                                                                                                                                                                                                                                                                                                                    |
|-------|--------------------------------------------------------------------------------------------------------------------------------------|--------------------------------------------------------------------------------------------------------------------------------------------------------------------------------------------------------------------------------------------------------------------------------------------------------------------------------------------------------------------------------------------------------------------------------|
| size  | <b>int</b><br><b>pDict-&gt;size(rex_EnvironmentDictionary_t* pDict)</b>                                                              | Returns the number of entries in the dictionary.                                                                                                                                                                                                                                                                                                                                                                               |
| trace | <b>abool_t</b><br><b>pDict-&gt;trace(rex_EnvironmentDictionary_t* pDict, int &lt;iLevel&gt;, const char* &lt;pszFormat&gt;, ...)</b> | Outputs a message into the packet tracing system used by the RADIUS server. At level 0, no tracing occurs. At level 1, only an indication the packet was received and a reply was sent is output. As the number gets higher, the amount of information output is greater, until at level 4, where everything traceable is output. The remaining arguments are formatted and sent to the tracing system at the specified level. |

## Java Attribute Dictionary

The AttributeDictionary is a dictionary of attributes, where the keys are the attribute types and the values are the data fields in the attribute. Both keys and values must conform to the definition of attributes in the server's Attribute Dictionary. Keys (types) can be either strings or byte arrays. If strings, they are the names of attributes. If byte arrays, they are the binary type. The type associated with a name can be retrieved by calling the static method `getType(java.lang.String)`. Using byte arrays is slightly more efficient - methods that take String keys must do the mapping from String to byte array in the course of executing the method. Similarly, values can be strings or byte arrays. Again, string values are converted to the appropriate binary representation when stored in an AttributeDictionary and back again when retrieved into a string variable.

Keys in an AttributeDictionary can be associated with multiple values. Each of the values associated with a key is ordered with an integer index denoting its position in the list of values. Given an AttributeDictionary, a key and an index, each value associated with a key can be looked up. This section contains the following topics:

- [Java Environment Dictionary Methods](#)
- [Interface Extension Methods](#)
- [Interface Extensionforsession Methods](#)
- [Interface Extensionwithinitialization Methods](#)
- [Interface Extensionforsessionwithinitialization Methods](#)
- [Variables in the Marker Extension Interface](#)
- [Session Record Methods](#)

## Java Attribute Dictionary Methods

Attribute dictionaries use active commands called methods, that allow you to change and access the values in the dictionaries.

Table A-5 lists all of the methods you can use with the Request and Response dictionaries.

**Table A-5** Java Attribute Dictionary Methods

| Name        | Syntax                                                                            | Description                                                                                                                                                                                                                                                                                                                                                                                                                                                                                                                                                                                                                                                  |
|-------------|-----------------------------------------------------------------------------------|--------------------------------------------------------------------------------------------------------------------------------------------------------------------------------------------------------------------------------------------------------------------------------------------------------------------------------------------------------------------------------------------------------------------------------------------------------------------------------------------------------------------------------------------------------------------------------------------------------------------------------------------------------------|
| size        | public int size()                                                                 | Returns the number of distinct keys in the dictionary.                                                                                                                                                                                                                                                                                                                                                                                                                                                                                                                                                                                                       |
| isEmpty     | public boolean isEmpty()                                                          | Tests if the dictionary contains any entries.                                                                                                                                                                                                                                                                                                                                                                                                                                                                                                                                                                                                                |
| clear       | public void clear()                                                               | Removes all entries from the dictionary.                                                                                                                                                                                                                                                                                                                                                                                                                                                                                                                                                                                                                     |
| containsKey | public boolean<br>containsKey(java.lang.String<br>key)                            | Returns true if an entry exists for key.                                                                                                                                                                                                                                                                                                                                                                                                                                                                                                                                                                                                                     |
| get         | public java.lang.String<br>get(java.lang.String key)                              | Returns the first value associated with the key.                                                                                                                                                                                                                                                                                                                                                                                                                                                                                                                                                                                                             |
| get         | public java.lang.String<br>get(java.lang.String key, int<br>index)                | Returns the value at position index associated with the key.                                                                                                                                                                                                                                                                                                                                                                                                                                                                                                                                                                                                 |
| put         | public boolean<br>put(java.lang.String key,<br>java.lang.String value)            | Associates key with a value. Any existing values associated with the key are removed before adding this association.                                                                                                                                                                                                                                                                                                                                                                                                                                                                                                                                         |
| put         | public boolean<br>put(java.lang.String key,<br>java.lang.String value, int index) | Associates key with a value depending on the value of index.<br><br>If index equals <b>Extension.EXT_REPLACE</b> , any existing values are removed before adding this new association. If index equals <b>Extension.EXT_APPEND</b> , a new value is added at the end of the list of existing values. If index equals <b>Extension.EXT_AUGMENT</b> , the new association is only made if the dictionary does not already have an entry for key. If index is a number greater than or equal to 0 and less than the number of entries in the list, the value is inserted at that position in the list. Otherwise, the value is appended at the end of the list. |
| getBytes    | public byte[]<br>getBytes(java.lang.String key)                                   | Returns the first value associated with the key.                                                                                                                                                                                                                                                                                                                                                                                                                                                                                                                                                                                                             |
| getBytes    | public byte[]<br>getBytes(java.lang.String key,<br>int index)                     | Returns the value at position index associated with key.                                                                                                                                                                                                                                                                                                                                                                                                                                                                                                                                                                                                     |
| putBytes    | public boolean<br>putBytes(java.lang.String key,<br>byte[] value)                 | Associates key with value. Any existing values associated with key are removed before adding this association.                                                                                                                                                                                                                                                                                                                                                                                                                                                                                                                                               |

Table A-5 Java Attribute Dictionary Methods (continued)

| Name       | Syntax                                                                                            | Description                                                                                                                                                                                                                                                                                                                                                                                                                                                                                                                                                                                                                                                  |
|------------|---------------------------------------------------------------------------------------------------|--------------------------------------------------------------------------------------------------------------------------------------------------------------------------------------------------------------------------------------------------------------------------------------------------------------------------------------------------------------------------------------------------------------------------------------------------------------------------------------------------------------------------------------------------------------------------------------------------------------------------------------------------------------|
| putBytes   | <b>public boolean</b><br><b>putBytes(java.lang.String key,</b><br><b>byte[] value, int index)</b> | Associates key with a value depending on the value of index.<br><br>If index equals <b>Extension.EXT_REPLACE</b> , any existing values are removed before adding this new association. If index equals <b>Extension.EXT_APPEND</b> , a new value is added at the end of the list of existing values. If index equals <b>Extension.EXT_AUGMENT</b> , the new association is only made if the dictionary does not already have an entry for key. If index is a number greater than or equal to 0 and less than the number of entries in the list, the value is inserted at that position in the list. Otherwise, the value is appended at the end of the list. |
| remove     | <b>public void</b><br><b>remove(java.lang.String key)</b>                                         | Removes key (and all corresponding values) from the dictionary. This method does nothing if key is not in the dictionary.                                                                                                                                                                                                                                                                                                                                                                                                                                                                                                                                    |
| remove     | <b>public void</b><br><b>remove(java.lang.String key, int index)</b>                              | Removes value at the position index that is associated with key. If the index equals <b>Extension.EXT_REMOVE_ALL</b> or if the value being removed is the last value associated with key, the key is removed from the dictionary. This method does nothing if key is not in the dictionary.                                                                                                                                                                                                                                                                                                                                                                  |
| addProfile | <b>public boolean</b><br><b>addProfile(java.lang.String</b><br><b>profileName)</b>                | Adds all the attributes contained in the specified profile into the dictionary. Any existing attributes that have the same keys as attributes in the profile are removed before adding the new attributes.                                                                                                                                                                                                                                                                                                                                                                                                                                                   |
| Addprofile | <b>boolean</b><br><b>addProfile(java.lang.String</b><br><b>profileName, int mode)</b>             | Adds all the attributes contained in the specified profile into the dictionary. Any existing attributes that have the same keys as attributes in the Profile will be treated depending on the mode value. For each attribute in the Profile, if mode equals <b>Extension.EXT_REPLACE</b> , any values associated with the attribute in the dictionary are removed before adding the attribute. If index equals <b>Extension.EXT_APPEND</b> , a new value is added at the end of the list of existing values. If index equals <b>Extension.EXT_AUGMENT</b> , a new value is added only if the dictionary does not already have an entry for the given key.    |
| getType    | <b>public static byte[]</b><br><b>getType(java.lang.String key)</b>                               | Takes the name of the attribute (as a string) and returns the binary form of key.                                                                                                                                                                                                                                                                                                                                                                                                                                                                                                                                                                            |

**Table A-5** *Java Attribute Dictionary Methods (continued)*

| Name       | Syntax                                                 | Description                                                                                                                                                                                                                                                                                            |
|------------|--------------------------------------------------------|--------------------------------------------------------------------------------------------------------------------------------------------------------------------------------------------------------------------------------------------------------------------------------------------------------|
| keys       | <code>public java.util.Enumeration keys()</code>       | Returns an enumeration of the keys in the dictionary. The general contract for the keys method is that an Enumeration object is returned that will generate all the keys for which the dictionary contains entries.                                                                                    |
| elements   | <code>public java.util.Enumeration elements()</code>   | Returns an enumeration of the entries in the dictionary. The general contract for the elements method is that an Enumeration object is returned that will generate all the elements contained in entries in the dictionary. Keys with multiple values will result in multiple elements being returned. |
| keysByType | <code>public java.util.Enumeration keysByType()</code> | Returns an enumeration of the keys in the dictionary. The general contract for the keys method is that an Enumeration object is returned that will generate all the keys for which the dictionary contains entries.                                                                                    |

## Java Environment Dictionary

The Environment Dictionary can be used to store information between Extensions invoked subsequently on a given request or can be used to pass information between the Extension and the server properly.

The Environment Dictionary maps keys to values, where the keys and values are strings. In any one instance of the Environment Dictionary, every key is associated with at most one value. Given an Environment Dictionary and a key, the associated value can be looked up. Any non-null string can be used as a key and value.

## Java Environment Dictionary Methods

The Environment dictionary uses active commands called methods, to allow you to change and access the values in the dictionary. [Table A-6](#) lists all of the methods you can use with the java Environment dictionary.

**Table A-6** *Java Environment Dictionary Methods*

| Name        | Syntax                                                         | Description                                                      |
|-------------|----------------------------------------------------------------|------------------------------------------------------------------|
| size        | <code>public int size()</code>                                 | Returns the number of entries (distinct keys) in the dictionary. |
| isEmpty     | <code>public boolean isEmpty()</code>                          | Tests if the dictionary contains no entries.                     |
| clear       | <code>public void clear()</code>                               | Removes all entries from the dictionary.                         |
| containsKey | <code>public boolean containsKey(java.lang.String key)</code>  | Returns true if the dictionary contains an entry for key.        |
| get         | <code>public java.lang.String get(java.lang.String key)</code> | Returns the value associated with key in the dictionary.         |

**Table A-6** *Java Environment Dictionary Methods (continued)*

| <b>Name</b>       | <b>Syntax</b>                                                           | <b>Description</b>                                                                                                                                                                                                          |
|-------------------|-------------------------------------------------------------------------|-----------------------------------------------------------------------------------------------------------------------------------------------------------------------------------------------------------------------------|
| <b>put</b>        | <b>public boolean put(java.lang.String key, java.lang.String value)</b> | Associates key with value.                                                                                                                                                                                                  |
| <b>remove</b>     | <b>public void remove(java.lang.String key)</b>                         | Removes key (and its corresponding value) from this dictionary. This method does nothing if key is not in the dictionary.                                                                                                   |
| <b>keys</b>       | <b>public java.util.Enumeration keys()</b>                              | Returns an enumeration of the keys in the dictionary. The general contract for the keys method is that an Enumeration object is returned that will generate all the keys for which the dictionary contains entries.         |
| <b>elements</b>   | <b>public java.util.Enumeration elements()</b>                          | Returns an enumeration of the entries in the dictionary. The general contract for the elements method is that an Enumeration object is returned that will generate all the elements contained in entries in the dictionary. |
| <b>log</b>        | <b>public static void log(int level, java.lang.String message)</b>      | Prints a message in the server log at the specified level.                                                                                                                                                                  |
| <b>trace</b>      | <b>public void trace(int level, java.lang.String message)</b>           | Prints a message in the server trace file at the specified level.                                                                                                                                                           |
| <b>reschedule</b> | <b>public void reschedule()</b>                                         | Informs the server that it should take back ownership of the request associated with the dictionary and continue processing it.                                                                                             |

## Interface Extension

Classes that are going to be used as scripts or services from Access Registrar must implement the Extension interface. When a Java scripting point or service is encountered during the processing of a request, the server will call the runExtension method defined in this interface and implemented by the appropriate class.

## Interface Extension Methods

Table A-7 lists the methods you can use for interface extension

**Table A-7** *Interface Extension Methods*

| Name                | Syntax                                                                                                                                                                | Description                                                                                                                                                                                                                                                                                                                                                                                                                                                                                                                                                                                                                                                                                                                                                                                                                                                                                                                                                                                                                                                                                                                                                                                                                                                                                                                                                                                                                                                                                                                                                                                                                                                                                                                                                                               |
|---------------------|-----------------------------------------------------------------------------------------------------------------------------------------------------------------------|-------------------------------------------------------------------------------------------------------------------------------------------------------------------------------------------------------------------------------------------------------------------------------------------------------------------------------------------------------------------------------------------------------------------------------------------------------------------------------------------------------------------------------------------------------------------------------------------------------------------------------------------------------------------------------------------------------------------------------------------------------------------------------------------------------------------------------------------------------------------------------------------------------------------------------------------------------------------------------------------------------------------------------------------------------------------------------------------------------------------------------------------------------------------------------------------------------------------------------------------------------------------------------------------------------------------------------------------------------------------------------------------------------------------------------------------------------------------------------------------------------------------------------------------------------------------------------------------------------------------------------------------------------------------------------------------------------------------------------------------------------------------------------------------|
| <b>runExtension</b> | <b>int<br/>runExtension(int<br/>iExtensionPoint,<br/>AttributeDictionary<br/>request,<br/>AttributeDictionary<br/>response,EnvironmentDictionary<br/>environment)</b> | <p>This method is called whenever a Java scripting point or service is encountered during the processing of a request.</p> <p>When runExtension is used as a script, it should process requests as quickly as possible, without blocking. This is because the server has a limited number of threads that it is using to process requests and if any one extension takes too long to run, it is likely that many requests will be delayed as each one calls the extension. runExtension must return either <b>EXT_OK</b> to indicate that processing of this request should continue or <b>EXT_ERROR</b> to indicate that an error occurred while processing this request and that the request should be dropped. Extensions should always log an error before returning <b>EXT_ERROR</b> so that the administrator has a way to determine the problem that was encountered.</p> <p>When runExtension is used as a service, it will be called once before requests start coming in (with the iExtensionPoint parameter set to <b>EXT_START_SERVICE</b>) to give the extension the opportunity to initialize resources needed to process requests, and once after the last request has been received (with the iExtensionPoint parameter set to <b>EXT_STOP_SERVICE</b>) to give the extension the opportunity to release those resources before stopping. runExtension must return one of the following values: <b>EXT_OK</b>, <b>EXT_ERROR</b> or <b>EXT_PENDING</b>. <b>EXT_PENDING</b> should be returned to inform the server that the extension has taken ownership of the request, will process the request on a background thread, and will inform the server when it is time to continue processing the request by calling reschedule() on one of the request's dictionaries.</p> |

## Interface ExtensionforSession

Classes that are going to be used as scripts at Session Manager level from Cisco Prime Access Registrar must implement the ExtensionForSession interface. When a Java scripting point or service is encountered during the processing of a request, the server will call the runExtension method defined in this interface and implemented by the appropriate class.



## Interface Extensionforsession Methods

Table A-8 lists the methods you can use for interface extensionforsession

**Table A-8** *Interface Extensionforsession Methods*

| Name                      | Syntax                                                                                                                                                                                          | Description                                                                                                                                                                                                                                                                                                                                                                                                                                                                                                                                                                                                                                                                                                                                                                                                                                                                                                                                                                                                                                                                                                                                                                                                                                                                                                                                                                                                                                                                                                                                                                                                                                                                                                                                                                                                                                                                          |
|---------------------------|-------------------------------------------------------------------------------------------------------------------------------------------------------------------------------------------------|--------------------------------------------------------------------------------------------------------------------------------------------------------------------------------------------------------------------------------------------------------------------------------------------------------------------------------------------------------------------------------------------------------------------------------------------------------------------------------------------------------------------------------------------------------------------------------------------------------------------------------------------------------------------------------------------------------------------------------------------------------------------------------------------------------------------------------------------------------------------------------------------------------------------------------------------------------------------------------------------------------------------------------------------------------------------------------------------------------------------------------------------------------------------------------------------------------------------------------------------------------------------------------------------------------------------------------------------------------------------------------------------------------------------------------------------------------------------------------------------------------------------------------------------------------------------------------------------------------------------------------------------------------------------------------------------------------------------------------------------------------------------------------------------------------------------------------------------------------------------------------------|
| <code>runExtension</code> | <code>int<br/>runExtension(int<br/>iExtensionPoint,<br/>AttributeDictionary request,<br/>AttributeDictionary response,<br/>EnvironmentDictionary environment,<br/>SessionRecord session)</code> | <p>This method is called whenever a Java scripting point or service is encountered during the processing of a request.</p> <p>When <code>runExtension</code> is used as a script, it should process requests as quickly as possible, without blocking. This is because the server has a limited number of threads that it is using to process requests and if any one extension takes too long to run, it is likely that many requests will be delayed as each one calls the extension. <code>runExtension</code> must return either <b>EXT_OK</b> to indicate that processing of this request should continue or <b>EXT_ERROR</b> to indicate that an error occurred while processing this request and that the request should be dropped. Extensions should always log an error before returning <b>EXT_ERROR</b> so that the administrator has a way to determine the problem that was encountered.</p> <p>When <code>runExtension</code> is used as a service, it will be called once before requests start coming in (with the <code>iExtensionPoint</code> parameter set to <b>EXT_START_SERVICE</b>) to give the extension the opportunity to initialize resources needed to process requests, and once after the last request has been received (with the <code>iExtensionPoint</code> parameter set to <b>EXT_STOP_SERVICE</b>) to give the extension the opportunity to release those resources before stopping. <code>runExtension</code> must return one of the following values: <b>EXT_OK</b>, <b>EXT_ERROR</b> or <b>EXT_PENDING</b>. <b>EXT_PENDING</b> should be returned to inform the server that the extension has taken ownership of the request, will process the request on a background thread, and will inform the server when it is time to continue processing the request by calling <code>reschedule()</code> on one of the request's dictionaries.</p> |

## Interface Extensionwithinitialization

Classes that are going to be used as scripts or services from Access Registrar implements the `ExtensionWithInitialization` interface. `ExtensionWithInitialization` extends the `Extension` interface with methods to initialize and destroy the extension. `initialize(java.lang.String)` is called when the extension is first loaded, with the string argument being set from the `InitializeArg` property that was defined in the server configuration when the extension was defined (either as a `Script` or a `Service`). `Destroy()` is called before the extension is unloaded.

## Interface Extensionwithinitialization Methods

Table A-9 lists the methods you can use for Interface Extensionwithinitialization.

**Table A-9** *Interface Extensionwithinitialization Methods*

| Name              | Syntax                                                 | Description                                                                     |
|-------------------|--------------------------------------------------------|---------------------------------------------------------------------------------|
| <b>initialize</b> | <b>void initialize(java.lang.String initializeArg)</b> | This method is called by the server when the extension is first loaded.         |
| <b>destroy</b>    | <b>void destroy()</b>                                  | This method is called by the server when the extension is going to be unloaded. |

## Interface ExtensionforSessionwithinitialization

Classes that are going to be used as scripts from Access Registrar at Session Manager level implement the ExtensionForSessionWithInitialization interface. ExtensionForSessionWithInitialization extends the ExtensionForSession interface with methods to initialize and destroy the extension.

initialize(java.lang.String) is called when the extension is first loaded, with the string argument being set from the InitializeArg property that was defined in the server configuration when the extension was defined (either as a script or a service). Destroy () is called before the extension is unloaded.

## Interface Extensionforsessionwithinitialization Methods

Table A-10 lists the methods you can use for Interface Extensionforsessionwithinitialization.

**Table A-10** *Interface Extensionforsessionwithinitialization Methods*

| Name              | Syntax                                                 | Description                                                                     |
|-------------------|--------------------------------------------------------|---------------------------------------------------------------------------------|
| <b>initialize</b> | <b>void initialize(java.lang.String initializeArg)</b> | This method is called by the server when the extension is first loaded.         |
| <b>destroy</b>    | <b>void destroy()</b>                                  | This method is called by the server when the extension is going to be unloaded. |

## Interface MarkerExtension

This is just going to be a marker interface containing various member variables which can be used in interfaces/classes extending from this interface. Extension and ExtensionForSession interfaces will extend this interface.

## Variables in the Marker Extension Interface

Table A-11 lists the variables in the marker extension interface.

**Table A-11** Marker Extension Interface Variables

| Name                   | Syntax                                  | Description                                                                                                                                                                                                                                                                                                                                                                                      |
|------------------------|-----------------------------------------|--------------------------------------------------------------------------------------------------------------------------------------------------------------------------------------------------------------------------------------------------------------------------------------------------------------------------------------------------------------------------------------------------|
| <b>EXT_OK</b>          | <b>static final int EXT_OK</b>          | Returns <b>EXT_OK</b> by implementation of <code>runExtension()</code> to indicate that the extension operated correctly and processing of the request should continue.                                                                                                                                                                                                                          |
| <b>EXT_ERROR</b>       | <b>static final int EXT_ERROR</b>       | Returns <b>EXT_ERROR</b> by implementation of <code>runExtension()</code> to indicate that the extension failed in some way and processing of the request should NOT continue.                                                                                                                                                                                                                   |
| <b>EXT_PENDING</b>     | <b>static final int EXT_PENDING</b>     | Returns <b>EXT_PENDING</b> by implementations of <code>runExtension()</code> to indicate that the extension operated correctly and the extension wants to take ownership of the request for a while. Further processing of the request by the server will be postponed until the extension indicates that it can do so by calling the <code>reschedule</code> method on any of the dictionaries. |
| <b>EXT_LOG_ERROR</b>   | <b>static final int EXT_LOG_ERROR</b>   | Indicates that the message should be logged with a severity of <code>ERROR</code> , when passed to <code>log()</code> in the <code>level</code> parameter.                                                                                                                                                                                                                                       |
| <b>EXT_LOG_WARNING</b> | <b>static final int EXT_LOG_WARNING</b> | Indicates that the message should be logged with a severity of <code>WARNING</code> , when passed to <code>log()</code> in the <code>level</code> parameter.                                                                                                                                                                                                                                     |
| <b>EXT_LOG_INFO</b>    | <b>static final int EXT_LOG_INFO</b>    | Indicates that the message should be logged with a severity of <code>INFO</code> , when passed to <code>log()</code> in the <code>level</code> parameter.                                                                                                                                                                                                                                        |
| <b>EXT_REMOVE_ALL</b>  | <b>static final int EXT_REMOVE_ALL</b>  | Indicates that all values associated with the specified key should be removed, when passed to <code>AttributeDictionary::remove()</code> in the <code>index</code> parameter.                                                                                                                                                                                                                    |
| <b>EXT_REPLACE</b>     | <b>static final int EXT_REPLACE</b>     | Indicates that all existing values associated with the specified key(s) should be removed before adding the new value(s), when passed to <code>AttributeDictionary::put()</code> (and its variants) in the <code>index</code> parameter or to <code>AttributeDictionary::addProfile()</code> in the <code>mode</code> parameter.                                                                 |
| <b>EXT_APPEND</b>      | <b>static final int EXT_APPEND</b>      | Indicates that the new value(s) should be appended to the end of the list of any existing values associated with the specified key(s), when passed to <code>AttributeDictionary::put()</code> (and its variants) in the <code>index</code> parameter or to <code>AttributeDictionary::addProfile()</code> in the <code>mode</code> parameter.                                                    |

Table A-11 Marker Extension Interface Variables (continued)

| Name                                                | Syntax                                                                   | Description                                                                                                                                                                                                                                                                                                                                                                         |
|-----------------------------------------------------|--------------------------------------------------------------------------|-------------------------------------------------------------------------------------------------------------------------------------------------------------------------------------------------------------------------------------------------------------------------------------------------------------------------------------------------------------------------------------|
| <b>EXT_AUGMENT</b>                                  | <b>static final int<br/>EXT_AUGMENT</b>                                  | Indicates that the new association(s) should only be added if the dictionary does not already have an entry for the given key(s), when passed to <code>AttributeDictionary::put()</code> (and its variants) in the index parameter or to <code>AttributeDictionary::addProfile()</code> in the mode parameter.                                                                      |
| <b>EXT_START_SERVICE</b>                            | <b>static final int<br/>EXT_START_SERVICE</b>                            | Indicates that the extension should do whatever is necessary to prepare to offer service, when passed to extensions used as services. This may include starting background threads, opening database connections, and so on.                                                                                                                                                        |
| <b>EXT_AUTHENTICATION_SERVICE</b>                   | <b>static final int<br/>EXT_AUTHENTICATION_SERVICE</b>                   | Indicates that the extension should authenticate the current request, when passed to extensions used as services. To indicate whether the request was authenticated or not, the extension should set the <code>EnvironmentDictionary</code> entry for "Response-Type" to either "Access-Accept" or "Access-Reject".                                                                 |
| <b>EXT_AUTHORIZATION_SERVICE</b>                    | <b>static final int<br/>EXT_AUTHORIZATION_SERVICE</b>                    | Indicates that the extension should authorize the current request, when passed to extensions used as services.                                                                                                                                                                                                                                                                      |
| <b>EXT_AUTHENTICATION_AND_AUTHORIZATION_SERVICE</b> | <b>static final int<br/>EXT_AUTHENTICATION_AND_AUTHORIZATION_SERVICE</b> | Indicates that the extension should both authenticate and authorize the current request, when passed to extensions used as services. To indicate whether the request was authenticated or not, the extension should set the <code>EnvironmentDictionary</code> entry for "Response-Type" to either "Access-Accept" or "Access-Reject".                                              |
| <b>EXT_ACCOUNTING_SERVICE</b>                       | <b>static final int<br/>EXT_ACCOUNTING_SERVICE</b>                       | Indicates that the extension should produce an accounting record for the current request, when passed to extensions used as services.                                                                                                                                                                                                                                               |
| <b>EXT_STOP_SERVICE</b>                             | <b>static final int<br/>EXT_STOP_SERVICE</b>                             | Indicates that the extension should do whatever is necessary to shut down, when passed to extensions used as services. This may include stopping background threads, closing database connections and so on.                                                                                                                                                                        |
| <b>EXT_NAS_STARTED_ACCOUNTING_SERVICE</b>           | <b>static final int<br/>EXT_NAS_STARTED_ACCOUNTING_SERVICE</b>           | Indicates that the NAS identified in the <code>EnvironmentDictionary</code> (by either the "NAS-Identifier" or "NAS-IP-Address" entries) has indicated that it is starting up, when passed to extensions used as services. This may be used by extensions to prepare to receive requests from this particular NAS if the extension treats requests from different NASs differently. |

Table A-11 Marker Extension Interface Variables (continued)

| Name                                          | Syntax                                                            | Description                                                                                                                                                                                                                                                                                                                                                        |
|-----------------------------------------------|-------------------------------------------------------------------|--------------------------------------------------------------------------------------------------------------------------------------------------------------------------------------------------------------------------------------------------------------------------------------------------------------------------------------------------------------------|
| EXT_NAS_STOPPED_ACCOUNTING_SERVICE            | static final int<br>EXT_NAS_STOPPED_ACCOUNTING_SERVICE            | Indicates that the NAS identified in the EnvironmentDictionary (by either the "NAS-Identifier" or "NAS-IP-Address" entries) has indicated that it is shutting down, when passed to extensions used as services. This may be used by extensions to recover any resources associated with this NAS if the extension treats requests from different NASs differently. |
| EXT_INCOMING_SERVER_SCRIPTING_POINT           | static final int<br>EXT_INCOMING_SERVER_SCRIPTING_POINT           | Indicates that the extension is being called from the script <b>/Radius/IncomingScript</b> , when passed to extensions used as scripts.                                                                                                                                                                                                                            |
| EXT_INCOMING_VENDOR_SCRIPTING_POINT           | static final int<br>EXT_INCOMING_VENDOR_SCRIPTING_POINT           | Indicates that the extension is being called from the script <b>/Radius/Vendors/&lt;vendor&gt;/IncomingScript</b> , when passed to extensions used as scripts.                                                                                                                                                                                                     |
| EXT_INCOMING_CLIENT_SCRIPTING_POINT           | static final int<br>EXT_INCOMING_CLIENT_SCRIPTING_POINT           | Indicates that the extension is being called from the script <b>/Radius/Clients/&lt;client&gt;/IncomingScript</b> or from the script <b>/Radius/RemoteServers/&lt;server&gt;/IncomingScript</b> , when passed to extensions used as scripts.                                                                                                                       |
| EXT_INCOMING_SERVICE_SCRIPTING_POINT          | static final int<br>EXT_INCOMING_SERVICE_SCRIPTING_POINT          | Indicates that the extension is being called from the script <b>/Radius/Services/&lt;service&gt;/IncomingScript</b> , when passed to extensions used as scripts.                                                                                                                                                                                                   |
| EXT_USERGROUP_AUTHENTICATION_SCRIPTING_POINT  | static final int<br>EXT_USERGROUP_AUTHENTICATION_SCRIPTING_POINT  | Indicates that the extension is being called from the script <b>/Radius/UserGroups/&lt;group&gt;/AuthenticationScript</b> , when passed to extensions used as scripts.                                                                                                                                                                                             |
| EXT_USERRECORD_AUTHENTICATION_SCRIPTING_POINT | static final int<br>EXT_USERRECORD_AUTHENTICATION_SCRIPTING_POINT | Indicates that the extension is being called from the script <b>/Radius/UserLists/&lt;userlist&gt;/&lt;user&gt;/AuthenticationScript</b> , when passed to extensions used as scripts.                                                                                                                                                                              |
| EXT_USERGROUP_AUTHORIZATION_SCRIPTING_POINT   | static final int<br>EXT_USERGROUP_AUTHORIZATION_SCRIPTING_POINT   | Indicates that the extension is being called from the script <b>/Radius/UserGroups/&lt;group&gt;/AuthorizationScript</b> , when passed to extensions used as scripts.                                                                                                                                                                                              |
| EXT_USERRECORD_AUTHORIZATION_SCRIPTING_POINT  | static final int<br>EXT_USERRECORD_AUTHORIZATION_SCRIPTING_POINT  | Indicates that the extension is being called from the script <b>/Radius/UserLists/&lt;userlist&gt;/&lt;user&gt;/AuthorizationScript</b> , when passed to extensions used as scripts.                                                                                                                                                                               |
| EXT_OUTGOING_SERVICE_SCRIPTING_POINT          | static final int<br>EXT_OUTGOING_SERVICE_SCRIPTING_POINT          | Indicates that the extension is being called from the script <b>/Radius/Services/&lt;service&gt;/OutgoingScript</b> , when passed to extensions used as scripts.                                                                                                                                                                                                   |

Table A-11 Marker Extension Interface Variables (continued)

| Name                                        | Syntax                                                          | Description                                                                                                                                                                                                                                              |
|---------------------------------------------|-----------------------------------------------------------------|----------------------------------------------------------------------------------------------------------------------------------------------------------------------------------------------------------------------------------------------------------|
| EXT_OUTGOING_CLIENT_SCRIPTING_POINT         | static final int<br>EXT_OUTGOING_CLIENT_SCRIPTING_POINT         | Indicates that the extension is being called from the script <code>/Radius/Clients/&lt;client&gt;/OutgoingScript</code> or from the script <code>/Radius/RemoteServers/&lt;server&gt;/OutgoingScript</code> , when passed to extensions used as scripts. |
| EXT_OUTGOING_VENDOR_SCRIPTING_POINT         | static final int<br>EXT_OUTGOING_VENDOR_SCRIPTING_POINT         | Indicates that the extension is being called from the script <code>/Radius/Vendors/&lt;vendor&gt;/OutgoingScript</code> , when passed to extensions used as scripts.                                                                                     |
| EXT_OUTGOING_SERVER_SCRIPTING_POINT         | static final int<br>EXT_OUTGOING_SERVER_SCRIPTING_POINT         | Indicates that the extension is being called from the script <code>/Radius/OutgoingScript</code> , when passed to extensions used as scripts.                                                                                                            |
| EXT_REMOTE_SERVER_OUTAGE_SCRIPTING_POINT    | static final int<br>EXT_REMOTE_SERVER_OUTAGE_SCRIPTING_POINT    | Indicates that the extension is being called from the script <code>/Radius/Services/&lt;service&gt;/OutageScript</code> , when passed to extensions used as scripts.                                                                                     |
| EXT_INCOMING_SESSIONMANAGER_SCRIPTING_POINT | static final int<br>EXT_INCOMING_SESSIONMANAGER_SCRIPTING_POINT | Indicates that the extension is being called from the script <code>/Radius/SessionManagers/&lt;sessionmgr&gt;/IncomingScript</code> , when passed to extensions used as scripts.                                                                         |
| EXT_OUTGOING_SESSIONMANAGER_SCRIPTING_POINT | static final int<br>EXT_OUTGOING_SESSIONMANAGER_SCRIPTING_POINT | Indicates that the extension is being called from the script <code>/Radius/SessionManagers/&lt;sessionmgr&gt;/OutgoingScript</code> , when passed to extensions used as scripts.                                                                         |

## Class Sessionrecord

Each request processed by an Extension will have a corresponding session. The methods present in this class operate on the attributes cached in that session record. Group of attributes are cached as an AttributeDictionary in the session record.

## Session Record Methods

Table A-12 lists the methods you can use for Session record.

Table A-12 Session Record Methods

| Name | Syntax                                                         | Description                                              |
|------|----------------------------------------------------------------|----------------------------------------------------------|
| get  | public java.lang.String<br>get(java.lang.String key)           | Returns the first value associated with key.             |
| get  | public java.lang.String<br>get(java.lang.String key,int index) | Returns the value at position index associated with key. |

Table A-12 Session Record Methods (continued)

| Name           | Syntax                                                                                        | Description                                                                                                                                                                                                                                                                                                                                                                                                                                                                                                                                                                                                                                                                                                                                                                                                                                                     |
|----------------|-----------------------------------------------------------------------------------------------|-----------------------------------------------------------------------------------------------------------------------------------------------------------------------------------------------------------------------------------------------------------------------------------------------------------------------------------------------------------------------------------------------------------------------------------------------------------------------------------------------------------------------------------------------------------------------------------------------------------------------------------------------------------------------------------------------------------------------------------------------------------------------------------------------------------------------------------------------------------------|
| put            | <b>public boolean<br/>put(java.lang.String<br/>key,java.lang.String<br/>value)</b>            | Associates key with value and stores it to the session record. Any existing values associated with key are removed before adding this association.<br><br>The value can be retrieved by calling the get method with a key that is equal to the original key.                                                                                                                                                                                                                                                                                                                                                                                                                                                                                                                                                                                                    |
| put            | <b>public boolean<br/>put(java.lang.String<br/>key,java.lang.String<br/>value, int index)</b> | Associates key with value depending on the value of index and stores it in the session record. If index equals <b>ExtensionForSession.EXT_REPLACE</b> , any existing values are removed before adding this new association. If index equals <b>ExtensionForSession.EXT_APPEND</b> , the new value is added at the end of the list of existing values. If index equals <b>ExtensionForSession.EXT_AUGMENT</b> , the new association is only made if the session record does not already have an entry for key. If index is a number greater than or equal to 0 and less than the number of entries in the list, the value is inserted at that position in the list. Otherwise, the value is appended at the end of the list.<br><br>The value can be retrieved by calling the get method with a key that is equal to the original key and the appropriate index. |
| remove         | <b>public boolean<br/>remove(java.lang.String<br/>key)</b>                                    | Removes key (and all corresponding values) from the session record. This method does nothing if key is not in the session record.                                                                                                                                                                                                                                                                                                                                                                                                                                                                                                                                                                                                                                                                                                                               |
| remove         | <b>public boolean<br/>remove(java.lang.String<br/>key, int index)</b>                         | Removes value at the position index that is associated with key. If the index equals <b>ExtensionForSession.EXT_REMOVE_ALL</b> or if the value being removed is the last value associated with key, the key is removed from the session record. This method does nothing if key is not in the session record.                                                                                                                                                                                                                                                                                                                                                                                                                                                                                                                                                   |
| getSessionInfo | <b>public java.lang.String<br/>getSessionInfo()</b>                                           | Returns Session-ID, Session-Start-Time and Session-Last-Accessed-Time of the session record.                                                                                                                                                                                                                                                                                                                                                                                                                                                                                                                                                                                                                                                                                                                                                                    |

**Note**

A sample java script is available in the following path “/cisco-ar/examples/java” after the installation of AR.







## Environment Dictionary

---

This appendix describes the environment variables the scripts use to communicate with Cisco Prime Access Registrar (Prime Access Registrar) or to communicate with other scripts.

Prime Access Registrar sets the **arguments** variable in the Environment dictionary, before calling the **InitEntryPoint** of each script. The **arguments** variable is set to the value of the **InitEntryPointArgs** property corresponding to that script, and it allows the administrator to pass (possibly unique) information to each script initialization function.

Environment variables that are set and read for resource management override provide scripts further control over session management. These environment variables, including the following **Acquire-User-Session-Limit**, **Acquire-Group-Session-Limit**, **Acquire-IP-Dynamic**, **Acquire-IP-Per-NAS-Port**, **Acquire-IPX-Dynamic**, and **Acquire-USR-VPN**, can be set at any point before session management is invoked. These environment variables are read as the packet flows through each Resource Manager that the chosen Session Manager calls. The default setting for these environment variables is TRUE. See the “Configuring and Monitoring the RADIUS Server” chapter of the [Cisco Prime Access Registrar 8.0 Administrator Guide](#) for additional information about Resource Managers.

This appendix has the following major sections:

- [Cisco Prime Access Registrar Environment Dictionary Variables](#)

This section lists environment variables you can use in scripts to communicate with Prime Access Registrar or to communicate with other scripts.

- [Internal Variables](#)

This section lists environment variables used by the Prime Access Registrar server for internal operations. The environment variables listed in this section must not be modified by scripts.

## Cisco Prime Access Registrar Environment Dictionary Variables

The following variables are text strings stored in the Environment dictionary passed to each scripting point.

## Accepted-Profiles

**Accepted-Profiles** is read during authorization after calling server and client incoming scripts (not set by Prime Access Registrar code). If set, the authorization done by local user lists checks to see if the given user's profile as specified in the user record is one of those in the separated list of profiles. If it is not in the separated list of profiles, the request is rejected.

## Accounting-Service

**Accounting-Service** is set after calling server and client incoming scripts and is used to determine which accounting service is used for this request. If set, the server directs the request to be processed by the specified accounting service.

When **Accounting-Service** is not set, the **DefaultAccountingService** (as defined in the server configuration) is used instead.

## Acquire-Dynamic-DNS

**Acquire-Dynamic-DNS** is set and read for resource management override. **Acquire-Dynamic-DNS** is set to FALSE to skip DNS updating during resource management processing.

## Acquire-Group-Session-Limit

**Acquire-Group-Session-Limit** is set and read for resource management override.

**Acquire-Group-Session-Limit** is set to FALSE to override the use of group session limit resource management.

## Acquire-Home-Agent

**Acquire-Home-Agent** is set and read for resource management override. **Acquire-Home-Agent** is set to FALSE to override the allocation of the home agent IP address during resource management processing.

## Acquire-IP-Dynamic

**Acquire-IP-Dynamic** is set and read for resource management override. **Acquire-IP-Dynamic** is set to FALSE to override the use of a managed pool of IP addresses resource management.

## Acquire-IPX-Dynamic

**Acquire-IPX-Dynamic** is set and read for resource management override. **Acquire-IPX-Dynamic** is set to FALSE to override the use of a managed pool of IPX addresses resource management.

## Acquire-IP-Per-NAS-Port

**Acquire-IP-Per-NAS-Port** is set and read for resource management override.

**Acquire-IP-Per-NAS-Port** is set to FALSE to override the use of ports associated with specific IP addresses resource management.

## Acquire-Subnet-Dynamic

**Acquire-Subnet-Dynamic** is not always used. If set to FALSE, subnet-dynamic resource managers are skipped.

## Acquire-User-Session-Limit

**Acquire-User-Session-Limit** set and read for resource management override.

**Acquire-User-Session-Limit** is set to FALSE to override the use of user session limit resource management.

## Acquire-USR-VPN

**Acquire-USR-VPN** is set and read for resource management override. **Acquire-USR-VPN** is set to FALSE to override the use of Virtual Private Networks (VPNs) that use USR NAS Clients resource management.

## Allow-Null-Password

**Allow-Null-Password** is read during password matching and set in local userlist password matching if not set prior. If **Allow-Null-Password** is set to TRUE, the Prime Access Registrar server accepts requests with null passwords.

## Authentication-Service

**Authentication-Service** is set and read for authentication service selection and is used to determine which service is used to authenticate the user. If set, the server directs the request to be processed by the specified authentication service. When **Authentication-Service** is not set, the **DefaultAuthenticationService** is used instead.

## Authorization-Service

**Authorization-Service** is set and read for authorization service selection and is used to determine which service to use to authorize the user. If set, the server directs the request to be processed by the specified authorization service. When **Authorization-Service** is not set, the **DefaultAuthorizationService** is used instead.

## AuthorizationInfo

The MSISDN information is copied to **AuthorizationInfo** that is fetched by M3UA service.

## BackingStore-Env-Vars

**BackingStore-Env-Vars** overrides the BackingStoreEnvironmentVariables property of remote servers of type *odbc-accounting* only when the property BufferAccountingPackets is set to TRUE. The value is a comma separated list of environment variables to be stored along with the packet contents in the local disk.

## Blacklisted-IMSI

This variable is configured on a SIGTRAN-M3UA remote server. For any incoming request with an IMSI value, if the variable is set as TRUE, then that IMSI value is blacklisted and will not be forwarded to the HLR. For more information, see the “SIGTRAN-M3UA” chapter of the

*Cisco Prime Access Registrar 8.0 User Guide*.

## Broadcast-Accounting-Packet

If set to TRUE, **Broadcast-Accounting-Packet** enables broadcasting of Accounting-on or Accounting-off packets to all remote servers of type *radius*.

## Cache-Attributes-In-Session

**Cache-Attributes-In-Session** is set and read for resource management override. **Cache-Attributes-In-Session** is set to FALSE to override the caching of attributes by the *session-cache* type of resource manager.

## Current-Group-Count

**Current-Group-Count** is set and read for group session management. If set, the group-session-limit resource manager sets **Current-Group-Count** to be the new value of the group-session-limit counter.

## Cache-Outer-Identity

**Cache-Outer-Identity value** is set to enable identifying session of an user. If it is set to TRUE, WiMAX session manager will cache the outer identity. If it is set to FALSE, the WiMAX session manager will cache the inner identity. The value is set to FALSE by default.

## Destination-IP-Address

**Destination-IP-Address** is a read only value which is set to the receiver IP address.

**Destination-IP-Address** contains the IP address of the request packet receiver.

## Destination-Port

**Destination-port** is a read only value which is set to the receiving port number. **Destination-port** contains the port number of the receiver of the request.

## Dest-Translation-Type

**Dest-Translation-Type** is configured through the GlobalTitleTranslationScript. When the RoutingIndicator is set to **RTE\_GT**, Prime Access Registrar server reads the value that is set in Dest-Translation-Type and sets the TranslationType field of the Called Party Address. The value in this environment variable overrides the value that is configured in the DestinationGTAddress/DestTranslationType property of a remote server, SIGTRAN-M3UA.

## Dest-Numbering-Plan

**Dest-Numbering-Plan** is configured through the GlobalTitleTranslationScript. When the RoutingIndicator is set to **RTE\_GT**, Prime Access Registrar server reads the value that is set in Dest-Numbering-Plan and sets the NumberingPlan field of the Called Party Address. The value in this environment variable overrides the value that is configured in the DestinationGTAddress/Dest-Numbering-Plan property of a remote server, SIGTRAN-M3UA.

The following are the only values that are used for Dest-Numbering-Plan environment variable:

- DATA
- GENERIC
- ISDN
- ISDNMOB
- LANMOB
- MARMOB
- NWSPEC
- TEL
- TELEX
- UNKN

If you set any variable other than the above ones, Prime Access Registrar server sets the NumberingPlan that is configured in DestinationGTAddress/Dest-Numbering-Plan property of a remote server of type SIGTRAN-M3UA.

## Dest-Encoding-Scheme

**Dest-Encoding-Scheme** is configured through the GlobalTitleTranslationScript. When the RoutingIndicator is set to **RTE\_GT**, Prime Access Registrar server reads the value that is set in Dest-Encoding-Scheme environment variable and sets the EncodingScheme field of the Called Party Address. The value in this environment variable overrides the value that is configured in the DestinationGTAddress/ DestEncodingScheme property of a remote server, SIGTRAN-M3UA.

The following are the only values that are used for Dest-Encoding-Scheme environment variable:

- BCDEVEN
- BCDODD

If you set any variable other than the above ones, Prime Access Registrar server sets the EncodingScheme that is configured in the DestinationGTAddress/ DestEncodingScheme property of a remote server of type SIGTRAN-M3UA.

## Dest-Nature-Of-Address

**Dest-Nature-Of-Address** is configured through the GlobalTitleTranslationScript. When the RoutingIndicator is set to **RTE\_GT**, Prime Access Registrar server reads the value that is set in Dest-Nature-Of-Address environment variable and sets the NatureOfAddress field of the Called Party Address. The value in this environment variable overrides the value that is configured in the DestinationGTAddress/ DestNatureofAddress property of a remote server, SIGTRAN-M3UA.

The following are the only values that are used for Dest-Nature-Of-Address environment variable:

- ADDR\_NOTPRSNT
- INTNUM
- NATSIGNUM
- SUBNUM

If you set any variable other than the above ones, Prime Access Registrar server sets the NatureOfAddress that is configured in the DestinationGTAddress/ DestNatureofAddress property of a remote server of type SIGTRAN-M3UA.

## Dest-GT-Format

**Dest-GT-Format** configured through the GlobalTitleTranslationScript. When the RoutingIndicator is set to **RTE\_GT**, Prime Access Registrar server reads the value that is set in Dest-GT-Format environment variable and uses this format specified for the Global Title Digits(Address Information). The value in this environment variable overrides the value that is configured in the DestinationGTAddress/ DestGTFormat property of a remote server, SIGTRAN-M3UA.

The following are the only values that are used for Dest-GT-Format environment variable:

- GTFRMT\_0
- GTFRMT\_1
- GTFRMT\_2
- GTFRMT\_3
- GTFRMT\_4
- GTFRMT\_5

If you set any variable other than the above ones, Prime Access Registrar server sets the GTFormat that is configured in the DestinationGTAddress/ DestGTFormat property of a remote server of type SIGTRAN-M3UA.

## Diameter-Application-Id

**Diameter-Application-Id** is set to get the application ID in the Diameter packet.

## Diameter-Command-Code

**Diameter-Command-Code** is set to get the command codes in the Diameter packet.

## Disable-Accounting-On-Off-Broadcast

If set to TRUE, **Disable-Accounting-On-Off-Broadcast** disables broadcasting of Accounting-On and Accounting-Off packets to all remote servers of type 'radius'.

## DSA-Response-Cache

DSA-Response-Cache is used while performing DSA( Dynamic Service Authorization) feature in Prime Access Registrar. It is FALSE by default, which will clear the response dictionary before Re-Authentication. If DSA-Response-Cache is set to TRUE, Prime Access Registrar will not clear the response dictionary before Re-Authenticating with next service configured.

DSA-Response-Cache must be set to TRUE for enabling delivery of location information from the client to RADIUS/Diameter server.

## Dynamic-DNS-HostName

**Dynamic-DNS-HostName** is read while constructing the forward hostname during resource management processing to update DNS entries. If set, the name will be used as forward hostname instead of constructing one.

## Dynamic-Search-Filter

**Dynamic-Search-Filter** overrides the Filter property in remote servers of type *ldap*. The format of the value set for **Dynamic-Search-Filter** should be similar to that of the Filter property.

## Dynamic-Search-Path

**Dynamic-Search-Path** is read for LDAP searching. If set, the server uses it as its LDAP search path rather than the value set in the remote server configuration.

## Dynamic-Search-Scope

**Dynamic-Search-Scope** is used to dynamically set the SearchScope property of an LDAP remote server configuration on a per-packet basis.

## Dynamic-Service-Loop-Limit

**Dynamic-Service-Loop-Limit** variable is used to change loop counts. When using the same service for reauthentication and reauthorization, a loop can occur in these services. The loop count, by default is 10. You can change the loop count using this variable.

## Dynamic-User-Password-Attribute

**Dynamic-User-Password-Attribute** is read for LDAP authentication and overrides the `UserPasswordAttribute`. If set, the server uses it to retrieve the password field as its LDAP `UserPassword` attribute instead of the value set in the remote server configuration.

## EAP-Actual-Identity

**EAP-Actual-Identity** is a read-only variable that contains the International Mobile Subscriber Identity (IMSI) of the user after a successful EAP-SIM authentication.

## EAP-Authentication-Mode

**EAP-Authentication-Mode** is a read-only variable, set after a successful EAP-SIM authentication, that indicates whether the EAP-SIM authentication was a reauthentication or a full authentication.

## Enforce-Traffic-Throttling

By default, the value is set to `FALSE`. When set to `TRUE`, the traffic throttling check for the packet will be executed.

## E-UTRANCellGlobalId

Variable that carries location information of a user equipment (UE) that tries to access a network. For more information, see [Chapter 7, “Wireless Support.”](#)

## FetchAuthorizationInfo

When set to `TRUE`, this variable fetches `MSISDN` value from the HLR.

Do not use **FetchAuthorizationInfo** for authorization. We recommend that you use the authorization service of `m3ua` instead.

## Generate-BEK

**Generate-BEK** is read when WiMax provisioning service is enabled. If this is set, Prime Access Registrar will generate the Bootstrap Encryption Key in the WiMax flow.



## Group-Session-Limit

**Group-Session-Limit** is set and read for group session management. The group-session-limit resource manager sets this environment variable to be the limit of the group-session-limit counter as set by the configuration.

## HLR-GlobalTitle-Address

**HLR-GlobalTitle-Address** is configured through the GlobalTitleTranslationScript. When the RoutingIndicator is set to **RTE\_GT** in SIGTRAN-M3UA remote server, Prime Access Registrar server reads the value that is set in HLR-GlobalTitle-Address and sets the Destination GT Digits(Address Information field) of the Called Party Address.

## HLR-GlobalTitle-Cached

**HLR-GlobalTitle-Cached** is set as TRUE to indicate the HLR GT is cached.

The Home Location Registry (HLR) Global Title address (GT address in calling party address (CgPA)) from the SendAuthenticationInfo (SAI) response is cached and used for subsequent authorization request. This cached HLR GT is added to the environment dictionary of the packet to be available for the authorization flow.

The cached HLR GT overrides both the configured destination GT values and GT script provided GT values. The HLR GT caching works by default for RTE\_GT. The cached HLR GT can be overridden by updating the environment variable HLR-GlobalTitle-Cached to FALSE (or anything other than TRUE) in the GT script.

This HLR GT will not be cached for:

- reauthentication flow
- authorize only flow when authentication vectors are already available in cache (as there will not be SAI request).

## HLR-Translated-IMSI

**HLR-Translated-IMSI** is configured through the IMSITranslationScript. Prime Access Registrar server reads the value in HLR-Translated-IMSI and sets the value as IMSI before sending the request to STP/HLR. The value that is configured in the HLR-Translated-IMSI environment variable overrides the IMSI received in EAP-AKA/EAP-SIM request packet.

## Ignore-Accounting-Signature

**Ignore-Accounting-Signature** is set after calling server and client incoming scripts and is used to ignore missing or incorrect accounting signatures from NASs. If set, Prime Access Registrar does not check whether the account request packet has been signed with the same shared secret as the NAS.

**Ignore-Accounting-Signature** is used to work with RADIUS implementations that did not sign Accounting-Requests. A script was provided in the distribution (for USR NASs) that could be set in the IncomingScript extension point for the USR Vendor that simply set this environment variable.

## IMSI

International Mobile System Identifier (IMSI) that is fetched from the response from HLR.

## Incoming-Translation-Groups

**Incoming-Translation-Groups** is read for authentication while processing responses from a remote RADIUS server. If set, **Incoming-Translation-Groups** specifies the translation groups to be used to filter attributes on requests.

## Location-Capability

Location-Capability must be set to TRUE to enable delivery of location information from the client to RADIUS/Diameter server.

## Master-URL-Fragment

Used with the Windows Provisioning Service feature, **Master-URL-Fragment** specifies the fragment within the Master URL to be sent back to the provisioning server. **Master-URL-Fragment** can be set to any of the following four values: *signup*, *renewal*, *passwordchange*, and *forceupdate*. If **Master-URL-Fragment** is not set and is required to send the URL, *signup* will be sent by default.

The environmental variable **Send-PEAP-URL-TLV** indicates whether or not to send the URL.

## Misc-Log-Message-Info

**Misc-Log-Message-Info** is read for packet event logging. If a log message is generated, the value of **Misc-Log-Message-Info** is inserted into the middle of the log message.

## MSISDN

The Mobile Subscriber ISDN Number (MSISDN) that is fetched from the response from HLR.

## Notification-Code

The Notification-Code variable is set up to indicate the reason for an authentication or authorization failure for EAP-SIM, EAP-AKA, and EAP-AKA' services. The common authorization/authentication failure reasons as received from the HLR are:

- Unknown subscriber
- System failure
- Data missing
- Unexpected data value
- Reject / Return with unknown error

Prime Access Registrar reads this environment variable and sends an appropriate message to the client.

## Notification-Service

Notification-Service is an authorization service and is used to send a notification code to the client in case of authorization failure.

This can be any of the services configured under /radius/services/ except eap services, accounting services, radius-session, radius-query, and diameter.

## Outgoing-Translation-Groups

**Outgoing-Translation-Groups** is read while proxying to a remote radius server. If set, **Outgoing-Translation-Groups** specifies the translation groups to be used to filter attributes.

## Pager

The **aregcmd** command supports the **Pager** environment variable. When the **aregcmd** command **stats** is used and the **Pager** environment variable is set, the output of the **stats** command is displayed using the program specified by the **Pager** environment variable.

## PoD/CoA

The **PoD/CoA** variable is set and read for the CoA/PoD packet processing and used to determine whether the incoming PoD/CoA request must be translated to the corresponding PoD/CoA request. [Table B-1](#) lists the PoD/CoA values and the corresponding functions.

**Table B-1** PoD/CoA Values and Functions

| PoD/CoA Value | Function                               |
|---------------|----------------------------------------|
| PoD-CoA       | Converts Disconnect-Request to CoA     |
| CoA-PoD       | Converts CoA-Request to PoD            |
| PoDACK-CoAACK | Converts the Disconnect-ACK to CoA-ACK |
| CoAACK-PoDACK | Converts the CoA-ACK to Disconnect-ACK |
| PoDNAK-CoANAK | Converts the Disconnect-NAK to CoA-NAK |
| CoANAK-PoDNAK | Converts the CoA-NAK to Disconnect-NAK |

## Query-Service

The Query-Service variable is set and read for the *radius-query* service selection type. The Query-Service variable must be set before authentication phase begins at the server, vendor, or client incoming scripting point or using the policy engine. If set, the server directs requests to be processed by the specified *radius-query* service. After the Query-Service variable is set, no AAA processing will be done.

## Re-Accounting-Service

**Re-Accounting-Service** is configured, through script, for dynamic service authorization. When the Re-Accounting-Service is set, the server directs the request to the specified reaccounting service for processing.

## Re-Authentication-Service

**Re-Authentication-Service** is configured, through script, for dynamic service authorization. When the Re-Authentication-Service is set, the server directs the request to the specified reauthentication service for processing.

## Re-Authorization-Service

**Re-Authorization-Service** is configured, through script, for dynamic service authorization. When the Re-Authorization-Service is set, the server directs the request to the specified reauthorization service for processing.

**Re-Authorization Service** must be set to the local service, which contains the profiles that must be added to the EAP Access-Challenge message for delivery of location information from the client to the RADIUS/Diameter server.

## Reject-Reason

**Reject-Reason** is set when a request is being rejected and contains the **Reject-Reason**. Prime Access Registrar uses the value of **Reject-Reason** to look up the reject reason in the reply message table.

If **Reject-Reason** is set to one of: UnknownUser, UserNotEnabled, UserPasswordInvalid, UnableToAcquireResource, ServiceUnavailable, InternalError, MalformedRequest, ConfigurationError, IncomingScriptFailed, OutgoingScriptFailed, IncomingScriptRejectedRequest, OutgoingScriptRejectedRequest, or TerminationAction, then the value set in the configuration under **/Radius/Advanced/ReplyMessages** will be returned.

## Remote-Server

**Remote-Server** is set and read for logging a rejected packet from a remote server. **Remote-Server** records the name and IP address of the remote server to which the request has been forwarded.

## Remove-Session-On-Acct-Stop

When set to TRUE, server removes the session on receiving an accounting stop packet.

## Remote-Servers-Tried

**Remote-Servers-Tried** contains a list of remote servers that were tried before a request was accepted or rejected (in the case of a Failover multiple remoteserver policy). The list of servers is a comma-separated list of remote server names.

## Request-Authenticator

**Request-Authenticator** is set for every packet upon reception. Getting the **Request-Authenticator** from a script returns the value of the request authenticator.

## Request-Type

**Request-Type** is set when a request is first received to the type of request, such as one of Access-Request, Access-Accept, Access-Reject, Accounting-Request, Accounting-Response, or Access-Challenge before calling any extension points.

The request contains a string representation of the RADIUS packet type (code). When Prime Access Registrar does not recognize the packet type, it is represented as “Unknown-Packet-Type- $\langle N \rangle$ ”, where  $\langle N \rangle$  is the numeric value of the packet type (for example “Unknown-Packet-Type-9”). The known packet types are listed in [Table B-2](#).

**Table B-2** Request-Type Packets

| String                      | Packet Code |
|-----------------------------|-------------|
| Access-Request              | (1)         |
| Access-Accept               | (2)         |
| Access-Reject               | (3)         |
| Accounting-Request          | (4)         |
| Accounting-Response         | (5)         |
| Access-Challenge            | (11)        |
| Status-Server               | (12)        |
| Status-Client               | (13)        |
| USR-Resource-Free-Request   | (21)        |
| USR-Resource-Free-Response  | (22)        |
| USR-Resource-Query-Request  | (12)        |
| USR-Resource-Query-Response | (24)        |
| USR-NAS-Reboot-Request      | (26)        |
| USR-NAS-Reboot-Response     | (27)        |
| Ascend-IPA-Allocate         | (50)        |
| Ascend-IPA-Release          | (51)        |
| USR-Enhanced-Radius         | (254)       |

**Note**

---

**Request-Type** is to be used as a read-only variable by scripts.

---

## Require-User-To-Be-In-Authorization-List

**Require-User-To-Be-In-Authorization-List** is read for authorization. If we are authorizing with a different service than we authenticated with (not usually done) and the user is not known by the authorization service, the default is to continue on unless this environment variable is set, in which case we reject the request with a cause of Unknown-user.

## Response-Type

**Response-Type** is set and read throughout processing and used to determine whether the request should be accepted, rejected, or challenged. When **Response-Type** is set to "Access-Reject at any time during the processing of a request, no more processing of the request is done, and an Access-Reject response is sent. For other valid values for **Response-Type**, see [Table B-2](#).

## Retrace-Packet

If set, **Retrace-Packet** causes a trace of the packet to be displayed during the incoming and outgoing scripts. If set, will cause a second trace of the request packet's contents after running all the incoming scripts and/or a second trace of the response packet's contents before running the outgoing scripts.

## Send-PEAP-URI-TLV

When set to TRUE, the URI PEAP-TLV is included along with the Result PEAP-TLV in the access-challenge packet. The authenticating user service (of type userlist, LDAP, or WDA) can set this to TRUE using an extension point script or attribute mapping so that the PEAP-v0 service can send the URI PEAP-TLV. The default value for this is FALSE.

**Note**

---

This variable is used with the Windows Provisioning Service (WPS) feature.

---

## Session-Key

**Session-Key** is read for session management. If set, the server uses it as the key to look up the session associated with the current request, if any. If not set, the server uses the NAS IP Address and NAS Port to create a session key.

## Session-Manager

**Session-Manager** is read after user authorization and determines which dynamic resources to allocate for this user, when one is needed. If set, the server directs the request to be processed by the specified session manager. When not set, the **SessionManager** (as defined in **DefaultSessionManager**) is used when needed.

## Session-Notes

**Session-Notes** is a comma-separated list set to make session information available to scripts. **Session-Notes** contains the names of other environment variables. If set, these variables are stored on a Session as notes.

## Session-Service

**Session-Service** is set and read during session management. If set, the server will direct the request to be processed by the specified session service.

## Set-Session-Mgr-And-Key-Upon-Lookup

When **Set-Session-Mgr-And-Key-Upon-Lookup** is set to TRUE, a session-cache resource manager sets the session-manager and session-key environment variable during a query-lookup, and the Prime Access Registrar server does not cache the response dictionary attributes. **Set-Session-Mgr-And-Key-Upon-Lookup** is set to TRUE by a query-service IncomingScript.

## Skip-Session-Management

When set to TRUE in a request, **Skip-Session-Management** causes session management to be skipped for the request, even if session management might normally occur.

## Skip-Overriding-Username-With-LDAP-UID

**Skip-Overriding-Username-With-LDAP-UID** is used to decide if the username should be replaced with the UID from the LDAP server. When **Skip-Overriding-Username-With-LDAP-UID** is set to TRUE, the username is not replaced with the UID from the LDAP server.

You can use **Skip-Overriding-Username-With-LDAP-UID** to retain case sensitivity in usernames when the username given logging into the network is in a different case than the UID in the LDAP server database, such as *User1* and *user1*.

## Skip-Overriding-UserName-With-PEAPIdentity

**Skip-Overriding-Username-With-PEAPIdentity** is used to decide if the username should be replaced with the PEAP Identity. When **Skip-Overriding-Username-With-PEAPIdentity** is set to TRUE, the username is not replaced with the PEAP Identity.

## Source-IP-Address

**Source-IP-Address** is set when a request is first received to the IP address from which the IP request was received before calling any extension points. **Source-IP-Address** contains the IP address of the NAS or proxy server that sent the request to this server.



**Note**

---

**Source-IP-Address** is to be used as a read-only variable by scripts.

---

## Source-Port

**Source-Port** is set when a request is first received to the port from which the request was received. Source-Port is set for each request before calling any extension points and contains the port on the NAS or proxy server that was used to send the request to this server.



**Note**

---

**Source-Port** is to be used as a read-only variable by scripts.

---

## SQL-Sequence

**SQL-Sequence** variable is set with a list of SQL statement names, separated by a semicolon (;). For example, the SQL statement names 'sql3', 'sql4', and 'sql5' are denoted as sql3;sql4;sql5. If the variable is set, Prime Access Registrar picks the SQL statements and executes them in the order specified.

## Subnet-Size-If-No-Match

**Subnet-Size-If-No-Match** is set to one of BIGGER, SMALLER or EXACT, determines the behavior of the subnet-dynamic resource manager if a pool of the requested size is not available.

## Trace-Level

**Trace-Level** is set for each request before calling any extension points. **Trace-Level** is set to the current trace level as specified through **aregcmd**. If set by a script, Trace-Level changes the trace level used to determine what level of information is traced.

## Unavailable-Resource

**Unavailable-Resource** is set during session management. If the request is being rejected because one of the resource managers failed to allocate a resource, **Unavailable-Resource** is set to the name of the resource manager that failed.



## Unavailable-Resource-Type

**Unavailable-Resource-Type** is set during session management. If the request is being rejected because one of the resource managers failed to allocate a resource, **Unavailable-Resource-Type** is set to the type of the resource manager that failed.

## UserDefined1

**UserDefined1** is set to the value of the UserDefined1 property of the user from a local user list during password matching of local users.

## User-Authorization-Script

**User-Authorization-Script** is read in local services during authorization. If set, the server calls the specified script to do additional user authorization after authentication succeeds.

## User-Group

**User-Group** is read in local services during authorization. If set, species the UserGroup to which the current user belongs.

## User-Group-Session-Limit

**User-Group-Session-Limit** is read during session management. If set, **User-Group-Session-Limit** overrides the limit specified for the group-session-limit resource manager.

## User-Name

**User-Name** is read by a local service during authentication. When **User-Name** is set, it is the name used to authenticate or authorize the request and overrides the **User-Name** in the Request dictionary.

## User-Profile

**User-Profile** is read in local services during authorization. If set, **User-Profile** specifies the Profile from which the current user should receive attributes.

## User-Session-Limit

**User-Session-Limit** is read during session management. If set, **User-Session-Limit** overrides the limit specified for the user-session-limit resource manager.

## Virtual-Server-Outgoing-Script

Virtual-Server-Outgoing-Script is read when LawfulIntercept script object is enabled to use virtual script object. If this is set, the configured script will be executed after server outgoing script.

## X509- Subject-Name

X509- Subject-Name reads the value of the subject in the SSL certificate. This is read while processing the access request.

## Internal Variables

The following environment variables are used by the server for internal operation. The values for these environment variables must not be modified.

- Add-Message-Authenticator
- Calling-Service-Name
- Cleartext-Password
- Current-Service-Name
- Dynamic-Search-UID
- Duplicate-Req
- EAP-Internal-Services
- Group-Service
- Group-Service-State-ID
- Hidden-Attrib
- IMSI
- Local-Port-type
- Message-Authenticator-Present
- MSCHAP-Account-Name
- MS-ChapV2-Message
- NAS-Name-And-IPAddress
- Notify-Service-Session-Key
- Notify-Service-State-ID
- Number-Requested-Quintets
- Number-Requested-Triplets
- Proxied-Dynamic-Auth (named Proxied-POD in earlier releases)
- Provider-Identifier
- Rcd-NT-Password-Hash-Hash (named Rcd-NT-Password-Hash in earlier releases)
- Remote-Session
- Return-Data

- Roaming
- Script-Level
- Session-ID
- Session-Accounting-Counter
- Session-Generation-Tag
- Session-Last-Accessed-Time
- Session-Manager-Key
- Session-NAS-Identifier
- Session-NAS-Port
- Session-Resource-Count
- Session-Resource-%d
- Session-Reuse
- Session-Start-Time
- Session-Survives-NAS-Reboot
- Session-User-Name
- User-Name-Used-For-Lookup
- WiMax-Authentication
- WiMax-SessionManager-Exists





## RADIUS Attributes

This appendix lists the attributes Cisco Prime Access Registrar (Prime Access Registrar) supports with their names and values. RADIUS attributes carry the specific authentication, authorization information, and configuration details for requests and replies. For more detailed information about specific attributes, see the appropriate RFC as listed [Table C-1](#).

**Table C-1**      *RFCs for RADIUS Attributes*

| RFC Subject                                          | RFC Number |
|------------------------------------------------------|------------|
| Standard RADIUS Attributes                           | 2865       |
| RADIUS Accounting Attributes                         | 2866       |
| Accounting Modifications for Tunnel Protocol Support | 2867       |
| Attributes for Tunnel Protocol Support               | 2868       |
| RADIUS Extensions                                    | 2869       |

This appendix has two sections:

- [RADIUS Attributes](#)—This section provides an alphabetic list of all RADIUS attributes Prime Access Registrar supports and a list of all RADIUS attributes in numeric order.
- [Vendor-Specific Attributes](#)—This section provides lists of RADIUS vendor-specific attributes (VSAs).

## RADIUS Attributes

This section lists the RADIUS attributes supported in Prime Access Registrar. RADIUS attributes carry specific authentication, authorization, information, and configuration details in the Access-Request and the RADIUS server response.

## Cisco Prime Access Registrar Attributes

[Table C-2](#) provides an alphabetical list of all attributes used in Prime Access Registrar and the attribute number.

**Table C-2 RADIUS Attributes Alphabetical List**

| <b>Attribute Name</b>       | <b>Attribute Number</b> |
|-----------------------------|-------------------------|
| Acct-Authentic              | 45                      |
| Acct-Delay-Time             | 41                      |
| Acct-Input-Gigawords        | 52                      |
| Acct-Input-Octets           | 42                      |
| Acct-Input-Packets          | 47                      |
| Acct-Interim-Interval       | 85                      |
| Acct-Link-Count             | 51                      |
| Acct-Multi-Session-Id       | 50                      |
| Acct-Output-Gigawords       | 53                      |
| Acct-Output-Octets          | 43                      |
| Acct-Output-Packets         | 48                      |
| Acct-Session-Id             | 44                      |
| Acct-Session-Time           | 46                      |
| Acct-Status-Type            | 40                      |
| Acct-Terminate-Cause        | 49                      |
| Acct-Tunnel-Connection      | 68                      |
| Acct-Tunnel-Packets-Lost    | 86                      |
| Acquire-Group-Session-Limit | 280                     |
| ARAP-Challenge-Response     | 84                      |
| ARAP-Features               | 71                      |
| ARAP-Password               | 70                      |
| ARAP-Security               | 73                      |
| ARAP-Security-Data          | 74                      |
| ARAP-Zone-Access            | 72                      |
| Callback-Id                 | 20                      |
| Callback-Number             | 19                      |
| Called-Station-Id           | 30                      |
| Calling-Station-Id          | 31                      |
| Change-Password             | 17                      |
| CHAP-Challenge              | 60                      |
| CHAP-Password               | 3                       |
| Class                       | 25                      |
| Configuration-Token         | 78                      |
| Connect-Info                | 77                      |
| Digest-Attributes           | 207                     |
| Digest-Response             | 206                     |

**Table C-2 RADIUS Attributes Alphabetical List (continued)**

| <b>Attribute Name</b>    | <b>Attribute Number</b> |
|--------------------------|-------------------------|
| EAP-Message              | 79                      |
| Error-Cause              | 101                     |
| Event-Timestamp          | 55                      |
| Filter-Id                | 11                      |
| Framed-AppleTalk-Link    | 37                      |
| Framed-AppleTalk-Network | 38                      |
| Framed-AppleTalk-Zone    | 39                      |
| Framed-Compression       | 13                      |
| Framed-Interface-Id      | 96                      |
| Framed-IP-Address        | 8                       |
| Framed-IP-Netmask        | 9                       |
| Framed-IPv6-Pool         | 100                     |
| Framed-IPv6-Prefix       | 97                      |
| Framed-IPv6-Route        | 99                      |
| Framed-IPX-Network       | 12                      |
| Framed-MTU               | 12                      |
| Framed-Pool              | 88                      |
| Framed-Protocol          | 7                       |
| Framed-Route             | 22                      |
| Framed-Routing           | 10                      |
| Idle-Timeout             | 28                      |
| Login-IP-Host            | 14                      |
| Login-IPv6-Host          | 98                      |
| Login-LAT-Group          | 36                      |
| Login-LAT-Node           | 35                      |
| Login-LAT-Port           | 63                      |
| Login-LAT-Service        | 34                      |
| Login-Service            | 15                      |
| Login-TCP-Port           | 16                      |
| Message-Authenticator    | 80                      |
| NAS-Identifier           | 32                      |
| NAS-IP-Address           | 4                       |
| NAS-IPv6-Address         | 95                      |
| NAS-Port                 | 5                       |
| NAS-Port-ID              | 87                      |
| NAS-Port-Type            | 61                      |

**Table C-2** RADIUS Attributes Alphabetical List (continued)

| Attribute Name             | Attribute Number |
|----------------------------|------------------|
| Originating-Line-Info      | 94               |
| Password-Expiration        | 21               |
| Password-Retry             | 75               |
| Port-Limit                 | 62               |
| Prompt                     | 76               |
| Proxy-State                | 33               |
| Reply-Message              | 18               |
| Service-Type               | 6                |
| Session-Timeout            | 27               |
| State                      | 24               |
| Termination-Action         | 29               |
| Text-Ascend-Data-Filter    | 225              |
| Tunnel-Assignment-ID       | 82               |
| Tunnel-Client-Auth-ID      | 90               |
| Tunnel-Client-Endpoint     | 66               |
| Tunnel-Medium-Type         | 65               |
| Tunnel-Password            | 69               |
| Tunnel-Preference          | 83               |
| Tunnel-Private-Group-ID    | 81               |
| Tunnel-Server-Auth-ID      | 91               |
| Tunnel-Server-Endpoint     | 67               |
| Tunnel-Type                | 64               |
| User-Name                  | 1                |
| User-Password              | 2                |
| Vendor-Specific Attributes | 26               |

## RADIUS Attributes Numeric List

Table C-3 lists all RFC-defined RADIUS attributes in numeric order.

**Table C-3** RADIUS Attributes Numeric List

| Number | Attribute Name |
|--------|----------------|
| 1      | User-Name      |
| 2      | User-Password  |
| 3      | CHAP-Password  |
| 4      | NAS-IP-Address |



**Table C-3** RADIUS Attributes Numeric List (continued)

| <b>Number</b> | <b>Attribute Name</b> |
|---------------|-----------------------|
| 5             | NAS-Port              |
| 6             | Service-Type          |
| 7             | Framed-Protocol       |
| 8             | Framed-IP-Address     |
| 9             | Framed-IP-Netmask     |
| 10            | Framed-Routing        |
| 11            | Filter-Id             |
| 12            | Framed-MTU            |
| 13            | Framed-Compression    |
| 14            | Login-IP-Host         |
| 15            | Login-Service         |
| 16            | Login-TCP-Port        |
| 17            | Change-Password       |
| 18            | Reply-Message         |
| 19            | Callback-Number       |
| 20            | Callback-Id           |
| 21            | Password-Expiration   |
| 22            | Framed-Route          |
| 12            | Framed-IPX-Network    |
| 24            | State                 |
| 25            | Class                 |

**Table C-3 RADIUS Attributes Numeric List (continued)**

| Number | Attribute Name                                                                                                                                                                                                                                                                                                                                                                                                                                                                                                                                                                                                                                                                                                                                                                                                                                                                                                                                                                                                             |
|--------|----------------------------------------------------------------------------------------------------------------------------------------------------------------------------------------------------------------------------------------------------------------------------------------------------------------------------------------------------------------------------------------------------------------------------------------------------------------------------------------------------------------------------------------------------------------------------------------------------------------------------------------------------------------------------------------------------------------------------------------------------------------------------------------------------------------------------------------------------------------------------------------------------------------------------------------------------------------------------------------------------------------------------|
| 26     | <p>Vendor-Specific Attributes (VSAs)</p> <p>See <a href="#">Vendor-Specific Attributes, page C-13</a> or the specific vendor's VSA list:</p> <ul style="list-style-type: none"> <li>• <a href="#">3GPP VSAs</a></li> <li>• <a href="#">3GPP2 VSAs</a></li> <li>• <a href="#">ACC VSAs</a></li> <li>• <a href="#">Altiga VSAs</a></li> <li>• <a href="#">Ascend VSAs</a></li> <li>• <a href="#">Bay Networks VSAs</a></li> <li>• <a href="#">Cabletron VSAs</a></li> <li>• <a href="#">Cisco Prime Access Registrar Internal VSAs</a></li> <li>• <a href="#">Cisco VSAs</a></li> <li>• <a href="#">Compatible VSAs</a></li> <li>• <a href="#">Microsoft VSAs</a></li> <li>• <a href="#">Nomadix VSAs</a></li> <li>• <a href="#">RedBack VSAs</a></li> <li>• <a href="#">RedCreek VSAs</a></li> <li>• <a href="#">Telebit VSAs</a></li> <li>• <a href="#">Unisphere VSAs</a></li> <li>• <a href="#">USR VSAs</a></li> <li>• <a href="#">WiMax</a></li> <li>• <a href="#">WISPr</a></li> <li>• <a href="#">XML</a></li> </ul> |
| 27     | Session-Timeout                                                                                                                                                                                                                                                                                                                                                                                                                                                                                                                                                                                                                                                                                                                                                                                                                                                                                                                                                                                                            |
| 28     | Idle-Timeout                                                                                                                                                                                                                                                                                                                                                                                                                                                                                                                                                                                                                                                                                                                                                                                                                                                                                                                                                                                                               |
| 29     | Termination-Action                                                                                                                                                                                                                                                                                                                                                                                                                                                                                                                                                                                                                                                                                                                                                                                                                                                                                                                                                                                                         |
| 30     | Called-Station-ID (DNIS)                                                                                                                                                                                                                                                                                                                                                                                                                                                                                                                                                                                                                                                                                                                                                                                                                                                                                                                                                                                                   |
| 31     | Calling-Station-ID (CLID)                                                                                                                                                                                                                                                                                                                                                                                                                                                                                                                                                                                                                                                                                                                                                                                                                                                                                                                                                                                                  |
| 32     | NAS-Identifier                                                                                                                                                                                                                                                                                                                                                                                                                                                                                                                                                                                                                                                                                                                                                                                                                                                                                                                                                                                                             |
| 33     | Proxy-State                                                                                                                                                                                                                                                                                                                                                                                                                                                                                                                                                                                                                                                                                                                                                                                                                                                                                                                                                                                                                |
| 34     | Login-LAT-Service                                                                                                                                                                                                                                                                                                                                                                                                                                                                                                                                                                                                                                                                                                                                                                                                                                                                                                                                                                                                          |
| 35     | Login-LAT-Node                                                                                                                                                                                                                                                                                                                                                                                                                                                                                                                                                                                                                                                                                                                                                                                                                                                                                                                                                                                                             |
| 36     | Login-LAT-Group                                                                                                                                                                                                                                                                                                                                                                                                                                                                                                                                                                                                                                                                                                                                                                                                                                                                                                                                                                                                            |
| 37     | Framed-AppleTalk-Link                                                                                                                                                                                                                                                                                                                                                                                                                                                                                                                                                                                                                                                                                                                                                                                                                                                                                                                                                                                                      |

**Table C-3** RADIUS Attributes Numeric List (continued)

| Number | Attribute Name           |
|--------|--------------------------|
| 38     | Framed-AppleTalk-Network |
| 39     | Framed-AppleTalk-Zone    |
| 40     | Acct-Status-Type         |
| 41     | Acct-Delay-Time          |
| 42     | Acct-Input-Octets        |
| 43     | Acct-Output-Octets       |
| 44     | Acct-Session-Id          |
| 45     | Acct-Authentic           |
| 46     | Acct-Session-Time        |
| 47     | Acct-Input-packets       |
| 48     | Acct-Output-packets      |
| 49     | Acct-Terminate-Cause     |
| 50     | Acct-Multi-Session-Id    |
| 51     | Acct-Link-Count          |
| 52     | Acct-Input-Gigawords     |
| 53     | Acct-Output-Gigawords    |
| 54     | unassigned               |
| 55     | Event-Timestamp          |
| 56     | unassigned               |
| 57     | unassigned               |
| 58     | unassigned               |
| 59     | unassigned               |
| 60     | CHAP-Challenge           |
| 61     | NAS-Port-Type            |
| 62     | Port-Limit               |
| 63     | Login-LAT-PortNo         |
| 64     | Tunnel-Type              |
| 65     | Tunnel-Medium-Type       |
| 66     | Tunnel-Client-Endpoint   |
| 67     | Tunnel-Server-Endpoint   |
| 68     | Acct-Tunnel-Connection   |
| 68     | Tunnel-ID                |
| 69     | Tunnel-Password          |
| 70     | ARAP-Password            |
| 71     | ARAP-Features            |
| 72     | ARAP-Zone-Access         |

**Table C-3** RADIUS Attributes Numeric List (continued)

| <b>Number</b> | <b>Attribute Name</b>       |
|---------------|-----------------------------|
| 73            | ARAP-Security               |
| 74            | ARAP-Security-Data          |
| 75            | Password-Retry              |
| 76            | Prompt                      |
| 77            | Connect-Info                |
| 78            | Configuration-Token         |
| 79            | EAP-Message                 |
| 80            | Message-Authenticator       |
| 81            | Tunnel-Private-Group-ID     |
| 81            | Ascend-Auth-Type            |
| 82            | Tunnel-Assignment-ID        |
| 83            | Tunnel-Preference           |
| 84            | ARAP-Challenge-Response     |
| 85            | Acct-Interim-Interval       |
| 85            | Ascend-IP-Pool-Chaining     |
| 86            | Acct-Tunnel-Packets-Lost    |
| 87            | NAS-Port-ID                 |
| 88            | Framed-Pool                 |
| 88            | Ascend-IP-TOS               |
| 89            | Ascend-IP-TOS-Precedence    |
| 90            | Tunnel-Client-Auth-ID       |
| 90            | Ascend-IP-TOS-Apply-To      |
| 91            | Tunnel-Server-Auth-ID       |
| 91            | Ascend-Filter               |
| 92            | Ascend-Dsl-Rate-Type        |
| 93            | Ascend-Redirect-Number      |
| 94            | Originating-Line-Info       |
| 95            | Ascend-ATM-Vci              |
| 96            | Ascend-Source-IP-Check      |
| 97            | Ascend-Dsl-Rate-Mode        |
| 98            | Ascend-Dsl-Upstream-Limit   |
| 99            | Ascend-Dsl-Downstream-Limit |
| 100           | Ascend-Dsl-CIR-Recv-Limit   |
| 101           | Error-Cause                 |
| 102           | EAP-Key-Name                |
| 103           | Ascend-Source-Auth          |

**Table C-3 RADIUS Attributes Numeric List (continued)**

| <b>Number</b> | <b>Attribute Name</b>         |
|---------------|-------------------------------|
| 104           | Ascend-Private-Route          |
| 105           | unassigned                    |
| 106           | Ascend-FR-Link-Status-DLCI    |
| 107           | unassigned                    |
| 108           | Ascend-Callback-Delay         |
| 109           | unassigned                    |
| 110           | unassigned                    |
| 111           | Ascend-Multicast-GLeave-Delay |
| 112           | Ascend-CBCP-Enable            |
| 113           | Ascend-CBCP-Mode              |
| 114           | unassigned                    |
| 115           | Ascend-CBCP-Trunk-Group       |
| 116           | Ascend-Appletalk-Route        |
| 117           | Ascend-Appletalk-Peer-Mode    |
| 118           | Ascend-Route-Appletalk        |
| 119           | unassigned                    |
| 120           | Ascend-Modem-PortNo           |
| 121           | Ascend-Modem-SlotNo           |
| 122           | unassigned                    |
| 112           | unassigned                    |
| 124           | unassigned                    |
| 125           | Ascend-Maximum-Call-Duration  |
| 126           | Ascend-Preference             |
| 127           | Tunneling-Protocol            |
| 128           | Ascend-Shared-Profile-Enable  |
| 129           | Ascend-Primary-Home-Agent     |
| 130           | Ascend-Secondary-Home-Agent   |
| 131           | Ascend-Dialout-Allowed        |
| 132           | Ascend-Client-Gateway         |
| 133           | Ascend-BACP-Enable            |
| 134           | Ascend-DHCP-Maximum-Leases    |
| 135           | Ascend-Client-Primary-DNS     |
| 136           | Ascend-Client-Secondary-DNS   |
| 137           | Ascend-Client-Assign-DNS      |
| 138           | Ascend-User-Acct-Type         |
| 139           | Ascend-User-Acct-Host         |

**Table C-3** RADIUS Attributes Numeric List (continued)

| Number | Attribute Name               |
|--------|------------------------------|
| 140    | Ascend-User-Acct-Port        |
| 141    | Ascend-User-Acct-Key         |
| 142    | Ascend-User-Acct-Base        |
| 143    | Ascend-User-Acct-Time        |
| 144    | Ascend-Assign-IP-Client      |
| 145    | Ascend-Assign-IP-Server      |
| 146    | Ascend-Assign-IP-Global-Pool |
| 147    | Ascend-DHCP-Reply            |
| 148    | Ascend-DHCP-Pool-Number      |
| 149    | Ascend-Expect-Callback       |
| 150    | Ascend-Event-Type            |
| 151    | Ascend-Session-Svr-Key       |
| 152    | Ascend-Multicast-Rate-Limit  |
| 153    | Ascend-IF-Netmask            |
| 154    | Ascend-Remote-Addr           |
| 155    | Ascend-Multicast-Client      |
| 156    | Ascend-FR-Circuit-Name       |
| 157    | Ascend-FR-LinkUp             |
| 158    | Ascend-FR-Nailed-Grp         |
| 159    | Ascend-FR-Type               |
| 160    | Ascend-FR-Link-Mgt           |
| 161    | Ascend-FR-N391               |
| 162    | Ascend-FR-DCE-N392           |
| 163    | Ascend-FR-DTE-N392           |
| 164    | Ascend-FR-DCE-N393           |
| 165    | Ascend-FR-DTE-N393           |
| 166    | Ascend-FR-T391               |
| 167    | Ascend-FR-T392               |
| 168    | Ascend-Bridge-Address        |
| 169    | Ascend-TS-Idle-Limit         |
| 170    | Ascend-TS-Idle-Mode          |
| 171    | Ascend-DBA-Monitor           |
| 172    | Ascend-Base-Channel-Count    |
| 173    | Ascend-Minimum-Channels      |
| 174    | Ascend-IPX-Route             |
| 175    | Ascend-FT1-Caller            |

**Table C-3** RADIUS Attributes Numeric List (continued)

| Number | Attribute Name                    |
|--------|-----------------------------------|
| 176    | Ascend-backup                     |
| 177    | Ascend-Call-Type                  |
| 178    | Ascend-Group                      |
| 179    | Ascend-FR-DLCI                    |
| 180    | Ascend-FR-Profile-Name            |
| 181    | Ascend-Ara-PW                     |
| 182    | Ascend-IPX-Node-Addr              |
| 183    | Ascend-Home-Agent-IP-Addr         |
| 184    | Ascend-Home-Agent-Password        |
| 185    | Ascend-Home-Network-Name          |
| 186    | Ascend-Home-Agent-UDP-Port        |
| 187    | Ascend-Multilink-ID supported     |
| 188    | Ascend-Num-In-Multilink           |
| 189    | Ascend-First-Dest (Not supported) |
| 190    | Ascend-Pre-Input-Octets           |
| 191    | Ascend-Pre-Output-Octets          |
| 192    | Ascend-Pre-Input-packets          |
| 193    | Ascend-Pre-Output-packets         |
| 194    | Ascend-Maximum-Time               |
| 195    | Ascend-Disconnect-Cause           |
| 196    | Ascend-Connect-Progress           |
| 197    | Ascend-Data-Rate                  |
| 198    | Ascend-PreSession-Time            |
| 199    | Ascend-Token-Idle                 |
| 200    | Ascend-Token-Immediate            |
| 201    | Ascend-Require-Auth               |
| 202    | Ascend-Number-Sessions            |
| 203    | Ascend-Authen-Alias               |
| 204    | Ascend-Token-Expiry               |
| 205    | Ascend-Menu-Selector              |
| 206    | Digest-Response                   |
| 207    | Digest-Attributes                 |
| 208    | Ascend-PW-Lifetime                |
| 209    | Ascend-IP-Direct                  |
| 210    | Ascend-PPP-VJ-Slot-Comp           |
| 211    | Ascend-PPP-VJ-1172                |

**Table C-3** RADIUS Attributes Numeric List (continued)

| Number | Attribute Name            |
|--------|---------------------------|
| 212    | Ascend-PPP-Async-Map      |
| 213    | Ascend-Third-Prompt       |
| 214    | Ascend-Send-Secret        |
| 215    | Ascend-Receive-Secret     |
| 216    | Ascend-IPX-Peer-Mode      |
| 217    | Ascend-IP-Pool-Definition |
| 218    | Ascend-Assign-IP-Pool     |
| 219    | Ascend-FR-Direct          |
| 220    | Ascend-FR-Direct-Profile  |
| 221    | Ascend-FR-Direct-DLCI     |
| 222    | Ascend-Handle-IPX         |
| 212    | Ascend-Netware-timeout    |
| 224    | Ascend-IPX-Alias          |
| 225    | Ascend-Metric             |
| 226    | Ascend-PRI-Number-Type    |
| 227    | Ascend-Dial-Number        |
| 228    | Ascend-Route-IP           |
| 229    | Ascend-Route-IPX          |
| 120    | Ascend-Bridge             |
| 121    | Ascend-Send-Auth          |
| 122    | Ascend-Send-Passwd        |
| 123    | Ascend-Link-Compression   |
| 124    | Ascend-Target-Util        |
| 125    | Ascend-Maximum-Channels   |
| 126    | Ascend-Inc-Channel-Count  |
| 127    | Ascend-Dec-Channel-Count  |
| 128    | Ascend-Seconds-Of-History |
| 129    | Ascend-History-Weigh-Type |
| 240    | Ascend-Add-Seconds        |
| 241    | Ascend-Remove-Seconds     |
| 242    | Ascend-Data-Filter        |
| 243    | Ascend-Call-Filter        |
| 244    | Ascend-Idle-Limit         |
| 245    | Ascend-Preempt-Limit      |
| 246    | Ascend-Callback           |
| 247    | Ascend-Data-Svc           |



**Table C-3 RADIUS Attributes Numeric List (continued)**

| Number | Attribute Name             |
|--------|----------------------------|
| 248    | Ascend-Force-56            |
| 249    | Ascend-Billing-Number      |
| 250    | Ascend-Call-By-Call        |
| 251    | Ascend-Transit-Number      |
| 252    | Ascend-Host-Info           |
| 253    | Ascend-PPP-Address         |
| 254    | Ascend-MPP-Idle-Percent    |
| 255    | Ascend-Xmit-Rate           |
| 256    | HNB Parameters             |
| 257    | Macro-Coverage-Information |
| 258    | Geographical Location      |
| 259    | HNB Internet Information   |
| 260    | Reject Cause               |
| 270    | White-List                 |
| 271    | State Value                |

## Vendor-Specific Attributes

This section lists all vendor-specific attributes (VSAs) supported by Prime Access Registrar.

### 3GPP VSAs

Table C-4 lists the 3GPP VSAs. The vendor ID for 3GPP VSAs is 10415.

**Table C-4 3GPP VSAs**

| SubAttr | VSA Name              | Type       | Min-Max Value                          |
|---------|-----------------------|------------|----------------------------------------|
| 1       | 3GPP-IMSI             | String     | 0-15                                   |
| 2       | 3GPP-Charging-Id      | UINT       | 0-65535                                |
| 3       | 3GPP-PDPTtype         | ENUM       | 0-2<br>0 = IPv4<br>1 = PPP<br>2 = IPv6 |
| 4       | 3GPP-OG-Address       | IP Address |                                        |
| 5       | 3GPP-GPRS-QoS-Profile | String     | 0-31                                   |
| 6       | 3GPP-SGSN-Address     | IP Address |                                        |

**Table C-4 3GPP VSAs (continued)**

| SubAttr | VSA Name                      | Type       | Min-Max Value |
|---------|-------------------------------|------------|---------------|
| 7       | 3GPP-GGSN-Address             | IP Address |               |
| 8       | 3GPP-IMSI-MCC-MNC             | String     | 6-6           |
| 9       | 3GPP-GGSN-MCC-MNC             | String     | 6-6           |
| 10      | 3GPP-NSAPI                    | String     | 1-1           |
| 11      | 3GPP-Session-Stop-Indicator   | String     | 2-2           |
| 12      | 3GPP-Selection-Mode           | String     | 1-1           |
| 13      | 3GPP-Charging-Characteristics | String     | 4-4           |
| 14      | 3GPP-CG-IPv6-Address          | String     | 16-16         |
| 15      | 3GPP-SGSN-IPv6-Address        | String     | 16-16         |
| 16      | 3GPP-GGSN-IPv6-Address        | String     | 6-6           |
| 17      | 3GPP-IPv6-DNS-Servers         | String     | 16-253        |
| 18      | 3GPP-SGSN-MCC-MNC             | String     | 0-1           |
| 19      | 3GPP-Teardown-Indicator       | UINT32     | 0-1           |
| 20      | 3GPP-IMEISV                   | String     | 16-16         |
| 21      | 3GPP-RAT-Type                 | String     | 1-1           |
| 22      | 3GPP-User-Location-Info       | String     | 0-253         |
| 12      | 3GPP-MS-Timezone              | String     | 2-2           |
| 24      | 3GPP-Camel-Charging-Info      | String     | 0-253         |
| 25      | 3GPP-Packet-Filter            | String     | 0-253         |
| 26      | 3GPP-Negotiated-DSCP          | String     | 1-1           |

## 3GPP2 VSAs

Table C-5 lists the 3GPP2 VSAs. The vendor ID for 3GPP2 VSAs is 5535 with 8-bit VendorTypeSize.

**Table C-5 3GPP2 VSAs**

| SubAttr | VSA Name                           | Type         | Min-Max Value                                                                                                                                                                                   |
|---------|------------------------------------|--------------|-------------------------------------------------------------------------------------------------------------------------------------------------------------------------------------------------|
| 1       | CDMA-IKE-Pre-Shared-Secret-Request | ENUM         | 1-2;<br>1 = The PDSN requests a pre-shared secret for IKE<br>2 = The PDSN does not request a pre-shared secret for IKE                                                                          |
| 2       | CDMA-Security-Level                | ENUM         | 1-4;<br>1 = IPSec for registration messages<br>2 = IPSec for tunnels<br>3 = IPSec for tunnels and registration messages<br>4 = No IPSec security                                                |
| 3       | CDMA-Pre-Shared-Secret             | String       | 0-24                                                                                                                                                                                            |
| 4       | CDMA-Reverse-Tunnel-Spec           | ENUM         | 0-1;<br>0 = Reverse tunneling is not required<br>1 = Reverse tunneling is required                                                                                                              |
| 5       | CDMA-Diff-Svc-Class-Opt            | ENUM         | 0-46;<br>0 = Best Effort<br>10 = AF11<br>12 = AF12<br>14 = AF13<br>18 = AF21<br>20 = AF22<br>22 = AF12<br>26 = AF31<br>28 = AF32<br>30 = AF33<br>34 = AF41<br>36 = AF42<br>38 = AF43<br>46 = EF |
| 6       | CDMA-Container                     | String       | 0-253                                                                                                                                                                                           |
| 7       | CDMA-HA-IP-Addr                    | IPADDR       |                                                                                                                                                                                                 |
| 8       | CDMA-KeyID-Attribute               | String       | 0-28                                                                                                                                                                                            |
| 9       | CDMA-PCF-IP-Addr                   | IP Addresses |                                                                                                                                                                                                 |
| 10      | CDMA-BS-MS-Addr                    | String       | 0-253                                                                                                                                                                                           |

Table C-5 3GPP2 VSAs (continued)

| SubAttr | VSA Name            | Type       | Min-Max Value                                                                           |
|---------|---------------------|------------|-----------------------------------------------------------------------------------------|
| 11      | CDMA-User-ID        | UINT3<br>2 | 0-0                                                                                     |
| 12      | CDMA-Forward-MUX    | UINT3<br>2 | 0-0                                                                                     |
| 13      | CDMA-Reverse-MUX    | UINT3<br>2 | 0-0                                                                                     |
| 14      | CDMA-Forward-Rate   | UINT3<br>2 | 0-0                                                                                     |
| 15      | CDMA-Reverse-Rate   | UINT3<br>2 | 0-0                                                                                     |
| 16      | CDMA-Service-Option | UINT3<br>2 | 0-0                                                                                     |
| 17      | CDMA-Forward-Type   | ENUM       | 0-1;<br>0 = Primary<br>1 = Secondary                                                    |
| 18      | CDMA-Reverse-Type   | ENUM       | 0-1;<br>0 = Primary<br>1 = Secondary                                                    |
| 19      | CDMA-Frame-Size     | ENUM       | 0-2;<br>0 = No Fundamental<br>1 = 5 ms Frame and 20ms Mixed<br>Frame<br>2 = 20 ms Frame |
| 20      | CDMA-Forward-RC     | UINT3<br>2 | 0-0                                                                                     |
| 21      | CDMA-Reverse-RC     | UINT3<br>2 | 0-0                                                                                     |
| 22      | CDMA-IP-Technology  | ENUM       | 1-3;<br>1 = Simple-IP<br>2 = Mobile-IP<br>3 = Proxy-Mobile-IP                           |
| 12      | CDMA-Comp-Flag      | ENUM       | 0-2;<br>0 = None<br>1 = Non-secure<br>2 = Secure                                        |

Table C-5 3GPP2 VSAs (continued)

| SubAttr | VSA Name               | Type       | Min-Max Value                                                                                                                                                                                                                                                                                                                                                                                                                                                                                                                                                                 |
|---------|------------------------|------------|-------------------------------------------------------------------------------------------------------------------------------------------------------------------------------------------------------------------------------------------------------------------------------------------------------------------------------------------------------------------------------------------------------------------------------------------------------------------------------------------------------------------------------------------------------------------------------|
| 24      | CDMA-Release-Ind       | ENUM       | 0-14;<br>0 = Unknown<br>1 = PPP/Service timeout<br>2 = Handoff<br>3 = PPP termination<br>4 = Mobile IP registration failure<br>5 = Abnormal Terminations<br>6 = Termination due to Resource management<br>7 = Service instance released<br>8 = Volume Quota reached, service instance released<br>9 = Duration Quota reached, Service instance released<br>10 = Incompatible PrePaid accounting information<br>11 = Airlink Parameter Change<br>12 = Time of Day Timer expiration<br>13 = Dormant by Accounting-Stop-triggered-by-Active-Stop<br>14 = Hot-Line status changed |
| 25      | CDMA-Dropped-Octets    | UINT3<br>2 | 0-0                                                                                                                                                                                                                                                                                                                                                                                                                                                                                                                                                                           |
| 26      | CDMA-Start-Date        | String     | 0-253                                                                                                                                                                                                                                                                                                                                                                                                                                                                                                                                                                         |
| 27      | CDMA-Start-Time        | String     | 0-253                                                                                                                                                                                                                                                                                                                                                                                                                                                                                                                                                                         |
| 28      | CDMA-Stop-Date         | String     | 0-253                                                                                                                                                                                                                                                                                                                                                                                                                                                                                                                                                                         |
| 29      | CDMA-Stop-Time         | String     | 0-253                                                                                                                                                                                                                                                                                                                                                                                                                                                                                                                                                                         |
| 30      | CDMA-Num-Active        | UINT3<br>2 | 0-0                                                                                                                                                                                                                                                                                                                                                                                                                                                                                                                                                                           |
| 31      | CDMA-SDB-Input-Octets  | UINT3<br>2 | 0-0                                                                                                                                                                                                                                                                                                                                                                                                                                                                                                                                                                           |
| 32      | CDMA-SDB-Output-Octets | UINT3<br>2 | 0-0                                                                                                                                                                                                                                                                                                                                                                                                                                                                                                                                                                           |
| 33      | CDMA-NumSDB-Input      | UINT3<br>2 | 0-0                                                                                                                                                                                                                                                                                                                                                                                                                                                                                                                                                                           |
| 34      | CDMA-NumSDB-Output     | UINT3<br>2 | 0-0                                                                                                                                                                                                                                                                                                                                                                                                                                                                                                                                                                           |
| 35      | CDMA-Alt-Billing       | UINT3<br>2 | 0-0                                                                                                                                                                                                                                                                                                                                                                                                                                                                                                                                                                           |

Table C-5 3GPP2 VSAs (continued)

| SubAttr | VSA Name                                  | Type       | Min-Max Value                                                                                    |
|---------|-------------------------------------------|------------|--------------------------------------------------------------------------------------------------|
| 36      | CDMA-IP-QoS                               | UINT3<br>2 | 0-0                                                                                              |
| 37      | CDMA-Interconnect-IP                      | UINT3<br>2 | 0-0                                                                                              |
| 38      | CDMA-Interconnect-QoS                     | UINT3<br>2 | 0-0                                                                                              |
| 39      | CDMA-Air-QoS                              | UINT3<br>2 | 0-0                                                                                              |
| 40      | CDMA-Airlink-Record-Type                  | ENUM       | 1-4;<br>1 = Connection Setup<br>2 = Active Start<br>3 = Active Stop<br>4 = SDB Record            |
| 41      | CDMA-R-P-Link-ID                          | UINT3<br>2 | 0-0                                                                                              |
| 42      | CDMA-Airlink-Record-Type                  | UINT3<br>2 | 0-0                                                                                              |
| 43      | CDMA-PPP-Bytes-Received                   | UINT3<br>2 | 0-0                                                                                              |
| 44      | CDMA-Correlation-ID                       | String     | 0-253                                                                                            |
| 45      | CDMA-Mobile-Terminate-Originated-Ind      | UINT3<br>2 | 0-0                                                                                              |
| 46      | CDMA-Inbound-Mobile-IP-Signalling-Octets  | UINT3<br>2 | 0-0                                                                                              |
| 47      | CDMA-Outbound-Mobile-IP-Signalling-Octets | UINT3<br>2 | 0-0                                                                                              |
| 48      | CDMA-Session-Continue                     | ENUM       | 0-1;<br>0 = False<br>1 = True                                                                    |
| 49      | CDMA-Active-Time                          | UINT3<br>2 | 0-0                                                                                              |
| 50      | CDMA-DCCH-Frame-Format                    | UINT3<br>2 | 0-3                                                                                              |
| 51      | CDMA-Beginning-Session                    | ENUM       | 0-1;<br>0 = False<br>1 = True                                                                    |
| 52      | CDMA-ESN                                  | String     | 0-253                                                                                            |
| 54      | CDMA-S-Attribute                          | String     | 0-253                                                                                            |
| 55      | CDMA-S-Request-Attribute                  | ENUM       | 0-1;<br>0 = The HA does not request a S secret for IKE<br>1 = The HA requests a S secret for IKE |

Table C-5 3GPP2 VSAs (continued)

| SubAttr | VSA Name                                    | Type               | Min-Max Value                                                                          |
|---------|---------------------------------------------|--------------------|----------------------------------------------------------------------------------------|
| 56      | CDMA-S-Lifetime-Attribute                   | UINT3<br>2         | 0-0                                                                                    |
| 57      | CDMA-MN-HA-SPI                              | String             | 0-4                                                                                    |
| 58      | CDMA-MN-HA-Shared-Key                       | String             | 0-253                                                                                  |
| 59      | CDMA-Remote-IPv4-Address                    | String             | 12-253                                                                                 |
| 60      | CDMA-HRPD-Access-Authentication             | ENUM               | 1-1;<br>1 = HRPD Access Authentication                                                 |
| 70      | CDMA-Remote-IPv6-Address                    | String             | 68-253                                                                                 |
| 71      | CDMA-Remote-Address-Table-Index             | UINT3<br>2         | 0-253                                                                                  |
| 72      | CDMA-Remote-IPv4-Address-Octet-Count        | String             | 24-253                                                                                 |
| 73      | CDMA-Allowed-Differentiated-Service-Marking | String             | 12-253                                                                                 |
| 74      | CDMA-Service-Option-Profile                 | String             | 8-253                                                                                  |
| 75      | CDMA-DNS-Update-Required                    | ENUM               | 0-1;<br>0 = HA does not need to send DNS Update<br>1 = HA does need to send DNS Update |
| 78      | CDMA-Always-On                              | ENUM               | 0-1;<br>0 = Inactive<br>1 = Active                                                     |
| 79      | CDMA-Foreign-Agent-Address                  | IP<br>Address<br>s |                                                                                        |
| 80      | CDMA-Last-User-Activity                     | UINT3<br>2         | 0-0                                                                                    |
| 81      | CDMA-MN-AAA-Removal-Indication              | ENUM               | 1-1;<br>1 = MN-AAA not required                                                        |
| 82      | CDMA-RN-Packet-Data-Inactivity-Timer        | UINT3<br>2         | 0-0                                                                                    |
| 83      | CDMA-Forward-PDCH-RC                        | UINT3<br>2         | 0-0                                                                                    |
| 84      | CDMA-Forward-DCCH-Mux-Option                | UINT3<br>2         | 0-0                                                                                    |
| 85      | CDMA-Reverse-DCCH-Mux-Option                | UINT3<br>2         | 0-0                                                                                    |
| 86      | CDMA-Forward-DCCH-RC                        | UINT3<br>2         | 0-0                                                                                    |
| 87      | CDMA-Reverse-DCCH-RC                        | UINT3<br>2         | 0-0                                                                                    |

Table C-5 3GPP2 VSAs (continued)

| SubAttr | VSA Name                                                 | Type   | Min-Max Value                                               |
|---------|----------------------------------------------------------|--------|-------------------------------------------------------------|
| 88      | CDMA-Session-Termination-Capability                      | UINT32 | 0-0                                                         |
| 89      | CDMA-Allowed-Persistent-TFTs                             | UINT32 | 0-0                                                         |
| 90      | CDMA-PrePaid-Accounting-Quota                            | String | 0-253                                                       |
| 91      | CDMA-PrePaid-Accounting-Capability                       | String | 0-253                                                       |
| 92      | CDMA-MIP-Lifetime                                        | String | 0-253                                                       |
| 93      | CDMA-Accounting-Stop-Triggered-By-Active-Stop-Indication | ENUM   | 1-1;<br>1 = Accounting report at active/dormant transitions |
| 94      | CDMA-Service-Reference-ID                                | String | 0-253                                                       |
| 95      | CDMA-DNS-Update-Capability                               | ENUM   | 1-1;<br>1 = HA is capable of dynamic DNS Update             |
| 96      | CDMA-Disconnect-Reason                                   | ENUM   | 1-1;<br>1 = MS Mobility Detection                           |
| 97      | CDMA-Remote-IPv6-Address-Octet-Count                     | String | 36-253                                                      |
| 98      | CDMA-PrePaid-Tariff-Switching                            | String | 0-253                                                       |
| 99      | CDMA-Authorization-Parameters                            | String | 0-253                                                       |
| 100     | CDMA-BCMCS-Flow-ID                                       | String | 0-253                                                       |
| 101     | CDMA-BCMCS-Capability                                    | String | 0-253                                                       |
| 102     | CDMA-Common-Session-Info                                 | String | 0-253                                                       |
| 103     | CDMA-BSN-Session-Info                                    | String | 0-253                                                       |
| 104     | CDMA-RN-Session-Info                                     | String | 0-253                                                       |
| 105     | CDMA-Reason-Code                                         | String | 0-253                                                       |
| 106     | CDMA-Physical-Channel                                    | String | 0-253                                                       |
| 107     | CDMA-BCMCS-Flow-Transmission-Time                        | String | 0-253                                                       |
| 108     | CDMA-Subnet                                              | String | 0-253                                                       |
| 109     | CDMA-Multicast-IP-Address                                | String | 0-253                                                       |
| 110     | CDMA-Port                                                | String | 0-253                                                       |
| 111     | CDMA-Auth-Key                                            | String | 0-253                                                       |
| 112     | CDMA-TK-Info                                             | String | 0-253                                                       |
| 113     | CDMA-BAK-ID                                              | String | 0-253                                                       |
| 114     | CDMA-Reverse-PDCH-RC                                     | UINT32 | 0-0                                                         |
| 115     | CDMA-Acq-Info-Timestamp                                  | UINT32 | 0-0                                                         |



Table C-5 3GPP2 VSAs (continued)

| SubAttr | VSA Name                                                            | Type   | Min-Max Value                         |
|---------|---------------------------------------------------------------------|--------|---------------------------------------|
| 116     | CDMA-MEID                                                           | String | 0-16                                  |
| 117     | CDMA-DNS-Server-IP-Address                                          | String | 0-22                                  |
| 118     | CDMA-MIP6-Home-Agent-from-BU                                        | String | 0-18                                  |
| 119     | CDMA-MIP6-CoA                                                       | String | 0-22                                  |
| 120     | CDMA-MIP6-HoA-Not-Authorized                                        | ENUM   | 1-1;<br>1 = The HoA is not authorized |
| 121     | CDMA-MIP6-Session-Key                                               | String | 0-253                                 |
| 122     | CDMA-Hot-Line-Accounting-Indication                                 | String | 0-253                                 |
| 112     | CDMA-Hot-Line-Profile-ID                                            | String | 0-253                                 |
| 124     | CDMA-Filter-Rule                                                    | String | 0-253                                 |
| 125     | CDMA-HTTP-Redirection-Rule                                          | String | 0-253                                 |
| 126     | CDMA-IP-Redirection-Rule                                            | String | 0-253                                 |
| 127     | CDMA-Hot-Line-Capability                                            | UINT32 | 0-0                                   |
| 128     | CDMA-MIP6-Home-Link-Prefix                                          | String | 0-253                                 |
| 129     | CDMA-MIP6-Home-Address                                              | String | 0-253                                 |
| 130     | CDMA-Maximum-Authorized-Aggregate-Bandwidth-for-Best-Effort-Traffic | UINT32 | 0-0                                   |
| 131     | CDMA-Authorized-QoS-Profile-IDs-for-the-User                        | String | 0-253                                 |
| 132     | CDMA-Granted-QoS-Parameters                                         | String | 0-253                                 |
| 133     | CDMA-Maximum-Per-Flow-Priority-for-the-User                         | UINT32 | 0-15                                  |
| 134     | CDMA-MIP6-Authenticator                                             | String | 0-253                                 |
| 135     | CDMA-Source-IPv6-Address                                            | String | 0-253                                 |
| 136     | CDMA-Program-ID                                                     | String | 0-253                                 |
| 137     | CDMA-Program-Name                                                   | String | 0-253                                 |
| 138     | CDMA-MIP6-MAC-Mobility-Data                                         | String | 0-253                                 |
| 139     | CDMA-Inter-User-Priority                                            | UINT32 | 0-3                                   |
| 140     | CDMA-MIP6-Home-Agent-Attribute-B                                    | String | 0-253                                 |
| 141     | CDMA-MIP6-HoA                                                       | String | 0-253                                 |
| 142     | CDMA-Carrier-ID                                                     | String | 0-8                                   |
| 143     | CDMA-GMT-Time-Zone-Offset                                           | String | 0-253                                 |

## ACC VSAs

Table C-6 lists the ACC VSAs. The vendor ID for ACC VSAs is 5.

**Table C-6** ACC VSAs

| SubAttr | VSA Name                             | Type                                                                                                                                                                                                                                                                          | Min-Max Value |
|---------|--------------------------------------|-------------------------------------------------------------------------------------------------------------------------------------------------------------------------------------------------------------------------------------------------------------------------------|---------------|
| 1       | Acc-Reason-Code                      | ENUM:<br>no reason given/no failure<br>resource shortage<br>protocol error<br>invalid attribute<br>invalid service type<br>invalid framed protocol<br>invalid attribute value<br>invalid user information<br>invalid IP address<br>invalid integer syntax<br>invalid NAS port | 0-56          |
| 1       | Acc-Reason-Code ( <i>Continued</i> ) | ENUM:<br>requested by user<br>session already open<br>network disconnect<br>service interruption<br>physical port error<br>idle timeout<br>session timeout<br>administrative reset<br>NAS reload or reset<br>NAS error<br>NAS request                                         | 0-56          |
| 1       | Acc-Reason-Code ( <i>Continued</i> ) | ENUM:<br>undefined reason given<br>too many RADIUS users<br>conflicting attributes<br>port limit exceeded<br>facility not available<br>internal configuration error<br>bad route specification                                                                                | 0-56          |

Table C-6 ACC VSAs (continued)

| SubAttr | VSA Name                    | Type                                                                                                                                                                                                                                                                                                                                                                                            | Min-Max Value |
|---------|-----------------------------|-------------------------------------------------------------------------------------------------------------------------------------------------------------------------------------------------------------------------------------------------------------------------------------------------------------------------------------------------------------------------------------------------|---------------|
| 1       | Acc-Reason-Code (Continued) | Access Partition bind failure<br>security violation<br>request type conflict<br>configuration disallowed<br>missing attribute<br>no authentication server<br>invalid request<br>missing parameter<br>invalid parameter<br>call cleared with cause<br>inopportune config request<br>invalid config parameter<br>missing config parameter<br>incompatible service profile<br>administrative reset | 0-56          |
| 1       | Acc-Reason-Code (Continued) | administrative reload<br>no authentication response<br>port unneeded<br>port preempted<br>port suspended<br>service unavailable<br>callback<br>user error<br>host request<br>no accounting server<br>no accounting response<br>access denied<br>temporary buffer shortage                                                                                                                       | 0-56          |
| 2       | Acc-Ccp-Option              | ENUM:<br>Disabled<br>Enabled                                                                                                                                                                                                                                                                                                                                                                    | 1-2           |
| 3       | Acc-Input-Errors            | UINT32                                                                                                                                                                                                                                                                                                                                                                                          | 0-253         |
| 4       | Acc-Output-Errors           | UINT32                                                                                                                                                                                                                                                                                                                                                                                          | 0-253         |
| 5       | Acc-Access-Partition        | String                                                                                                                                                                                                                                                                                                                                                                                          | 0-253         |
| 6       | Acc-Customer-Id             | String                                                                                                                                                                                                                                                                                                                                                                                          | 0-253         |
| 7       | Acc-IP-Gateway-Pri          | IPADDR                                                                                                                                                                                                                                                                                                                                                                                          | 0-253         |
| 8       | Acc-IP-Gateway-Sec          | IPADDR                                                                                                                                                                                                                                                                                                                                                                                          | 0-253         |
| 9       | Acc-Route-Policy            | ENUM :<br>Funnel<br>Direct                                                                                                                                                                                                                                                                                                                                                                      | 1-2           |
| 10      | Acc-ML-MLX-Admin-State      | ENUM:<br>Enabled<br>Disabled                                                                                                                                                                                                                                                                                                                                                                    | 1-2           |
| 11      | Acc-ML-Call-Threshold       | UINT32                                                                                                                                                                                                                                                                                                                                                                                          | 0-253         |

Table C-6 ACC VSAs (continued)

| SubAttr | VSA Name                          | Type                                                                                                                                                                                                                                                                                                                                                                  | Min-Max Value |
|---------|-----------------------------------|-----------------------------------------------------------------------------------------------------------------------------------------------------------------------------------------------------------------------------------------------------------------------------------------------------------------------------------------------------------------------|---------------|
| 12      | Acc-ML-Clear-Threshold            | UINT32                                                                                                                                                                                                                                                                                                                                                                | 0-253         |
| 13      | Acc-ML-Damping-Factor             | UINT32                                                                                                                                                                                                                                                                                                                                                                | 0-253         |
| 14      | Acc-Tunnel-Secret                 | String                                                                                                                                                                                                                                                                                                                                                                | 0-253         |
| 15      | Acc-Clearing-Cause                | ENUM:<br>cause unspecified<br>unassigned number<br>invalid information element c<br>message incompatible with sta<br>recovery on timer expiration<br>mandatory information element<br>protocol error<br>interworking<br>normal clearing<br>user busy<br>no user responding<br>user alerted no answer                                                                  | 0-127         |
| 15      | Acc-Clearing-Cause<br>(Continued) | ENUM:<br>no route to transit network<br>call rejected<br>number changed<br>non selected user clearing<br>destination out of order<br>invalid or incomplete number<br>facility rejected<br>no route to destination<br>response to status inquiry<br>normal unspecified cause<br>no circuit or channel availab<br>network out of order                                  | 0-127         |
| 15      | Acc-Clearing-Cause<br>(Continued) | ENUM:<br>temporary failure<br>switching equipment congestio<br>access information discarded<br>circuit or channel unavailabl<br>circuit or channel preempted<br>resources unavailable<br>quality of service unavailabl<br>facility not subscribed<br>outgoing calls barred<br>incoming calls barred<br>bearer capability unauthorize<br>bearer capability not availab | 0-127         |

Table C-6 ACC VSAs (continued)

| SubAttr | VSA Name                          | Type                                                                                                                                                                                                                                                                                                                                                                                    | Min-Max Value |
|---------|-----------------------------------|-----------------------------------------------------------------------------------------------------------------------------------------------------------------------------------------------------------------------------------------------------------------------------------------------------------------------------------------------------------------------------------------|---------------|
| 15      | Acc-Clearing-Cause<br>(Continued) | ENUM:<br>channel unacceptable<br>service not available<br>bearer capability not impleme<br>channel type not implemented<br>facility not implemented<br>call awarded being delivered<br>restricted digital informatio<br>service not implemented<br>invalid call reference<br>identified channel does not e<br>call identity does not exist<br>call identity in use<br>no call suspended | 0-127         |
| 15      | Acc-Clearing-Cause<br>(Continued) | ENUM:<br>suspended call cleared<br>incompatible destination<br>invalid transit network selec<br>invalid message<br>mandatory information element<br>message not implemented<br>inopportune message<br>information element not imple                                                                                                                                                     | 0-127         |
| 16      | Acc-Clearing-Location             | ENUM:<br>local or remote user<br>private network serving local<br>beyond interworking point<br>public network serving local<br>transit network<br>private network serving remot<br>public network serving remote<br>international network                                                                                                                                               | 0-10          |
| 17      | Acc-Service-Profile               | String                                                                                                                                                                                                                                                                                                                                                                                  | 0-253         |
| 18      | Acc-Request-Type                  | ENUM:<br>Ring Indication<br>Dial Request<br>User Authentication<br>Tunnel Authentication<br>User Accounting<br>Tunnel Accounting                                                                                                                                                                                                                                                        | 1-6           |
| 19      | Acc-Framed-Bridge                 | ENUM :<br>Disabled<br>Enabled                                                                                                                                                                                                                                                                                                                                                           | 0-1           |
| 20      | Acc-Vpsm-Oversubscribed           | ENUM :<br>False<br>True                                                                                                                                                                                                                                                                                                                                                                 | 1-2           |

Table C-6 ACC VSAs (continued)

| SubAttr | VSA Name                  | Type                                                                                                    | Min-Max Value |
|---------|---------------------------|---------------------------------------------------------------------------------------------------------|---------------|
| 21      | Acc-Acct-On-Off-Reason    | ENUM :<br>NAS Reset<br>NAS Reload<br>Configuration Reset<br>Configuration Reload<br>Enabled<br>Disabled | 0-5           |
| 22      | Acc-Tunnel-Port           | UINT32                                                                                                  | 0-253         |
| 12      | Acc-Dns-Server-Pri        | IPADDR                                                                                                  | 0-253         |
| 24      | Acc-Dns-Server-Sec        | IPADDR                                                                                                  | 0-253         |
| 26      | Acc-Nbns-Server-Sec       | IPADDR                                                                                                  | 0-253         |
| 27      | Acc-Dial-Port-Index       |                                                                                                         |               |
| 28      | Acc-Ip-Compression        | ENUM:<br>Disabled<br>Enabled                                                                            | 0-1           |
| 29      | Acc-Ipx-Compression       | ENUM:<br>Disabled<br>Enabled                                                                            | 0-1           |
| 30      | Acc-Connect-Tx-Speed      | UINT32                                                                                                  | 0-253         |
| 31      | Acc-Connect-Rx-Speed      | UINT32                                                                                                  | 0-253         |
| 32      | Acc-Modem-Modulation-Type | String                                                                                                  | 0-253         |
| 33      | Acc-Modem-Error-Protocol  | String                                                                                                  | 0-253         |
| 34      | Acc-Callback-Delay        | UINT32                                                                                                  | 0-253         |
| 35      | Acc-Callback-Num-Valid    | String                                                                                                  | 0-253         |
| 36      | Acc-Callback-Mode         | ENUM:<br>User-Auth<br>User-Specified-E-164<br>CBCP-Callback<br>CLI-Callback                             | 0-7           |
| 37      | Acc-Callback-CBCP-Type    | ENUM:<br>CBCP-None<br>CBCP-User-Specified<br>CBCP-Pre-Specified                                         | 1-3           |
| 38      | Acc-Dialout-Auth-Mode     | ENUM:<br>PAP<br>CHAP<br>CHAP-PAP<br>NONE                                                                | 1-4           |
| 39      | Acc-Dialout-Auth-Password | String                                                                                                  | 0-253         |
| 40      | Acc-Dialout-Auth-UserName | String                                                                                                  | 0-253         |

**Table C-6 ACC VSAs (continued)**

| SubAttr | VSA Name              | Type                                                                                                                                                                                                    | Min-Max Value |
|---------|-----------------------|---------------------------------------------------------------------------------------------------------------------------------------------------------------------------------------------------------|---------------|
| 42      | Acc-Access-Community  | ENUM:<br>PUBLIC<br>NETMAN                                                                                                                                                                               | 1-2           |
| 43      | Acc-Vpsm-Reject-Cause | ENUM:<br>No-Access-Partition<br>Access-Partition-Disabled<br>Partition-Portlimit-Exceeded<br>License-Portlimit-Exceeded<br>Home-Server-Down<br>Rejected-By-Home-Server<br>NAS-Administratively-Disabled | 1-7           |
| 44      | Acc-Ace-Token         | String                                                                                                                                                                                                  | 0-253         |
| 45      | Acc-Ace-Token-Ttl     | UINT                                                                                                                                                                                                    | 0-253         |
| 46      | Acc-Ip-Pool-Name      | String                                                                                                                                                                                                  | 0-253         |
| 47      | Acc-Igmp-Admin-State  | ENUM :<br>Enabled<br>Disabled                                                                                                                                                                           | 1-2           |
| 48      | Acc-Igmp-Version      | ENUM :<br>V1<br>V2                                                                                                                                                                                      | 1-2           |

## Altiga VSAs

Table C-7 lists the Altiga VSAs. The vendor ID for Altiga VSAs is 3076.

**Table C-7 Altiga VSAs**

| SubAttr | VSA Name                                     | Type       | Min-Max Value |
|---------|----------------------------------------------|------------|---------------|
| 1       | Altiga-General-Access-Hours                  | String     | 0-253         |
| 2       | Altiga-General-Simultaneous-Logic            | UINT32     | 0-253         |
| 3       | Altiga-General-Minimum-Password-Length       | UINT32     | 0-253         |
| 4       | Altiga-General-All-Alphabetic-Only-Passwords | ENUM       | 0-1           |
| 5       | Altiga-General-Primary-DNS                   | IP Address | 0-253         |
| 6       | Altiga-General-Secondary-DNS                 | IP Address | 0-253         |
| 8       | Altiga-General-Secondary-WINS                | IP Address | 0-253         |
| 9       | Altiga-General-SEP-Card-Assignment           | UINT32     | 0-253         |
| 10      | Altiga-General-Priority-On-SEP               | UINT32     | 0-253         |
| 11      | Altiga-General-Tunneling-Protoco             | UNIT32     | 0-253         |
| 12      | Altiga-IPSec-Security-Associatio             | String     | 0-253         |

Table C-7 Altiga VSAs (continued)

| SubAttr | VSA Name                                        | Type                                                                       | Min-Max Value |
|---------|-------------------------------------------------|----------------------------------------------------------------------------|---------------|
| 13      | Altiga-IPSec-Authentication                     | ENUM:<br>None<br>RADIUS<br>LDAP<br>NT Domain<br>SDI<br>Internal            | 0-5           |
| 15      | Altiga-IPSec-Banner                             | String                                                                     | 0-253         |
| 16      | Altiga-IPSec-Allow-Password-Storage-On-Client   | ENUM:<br>False<br>True                                                     | 0-1           |
| 17      | Altiga-PPTP-L2TP-Use-Client-Specified-Addresses | ENUM:<br>False<br>True                                                     | 0-1           |
| 18      | Altiga-PPTP-Minimal-Authentication-Protocol     | UINT32                                                                     | 0-253         |
| 19      | Altiga-L2TP-Minimal-Authentication              | UINT32                                                                     | 0-253         |
| 20      | Altiga-PPTP-Encryption                          | UINT32                                                                     | 0-253         |
| 21      | Altiga-L2TP-Encryption                          | UINT32                                                                     | 0-253         |
| 22      | Altiga-Argument-Authentication-Server-Type      | ENUM:<br>First Active<br>Server<br>RADIUS<br>LDAP<br>NT<br>SDI<br>Internal | 0-5           |
| 12      | Altiga-Argument-Authentication-Server-Password  | String                                                                     | 0-253         |
| 24      | Altiga-Argument-Request-Authenticator-Vector    | String                                                                     | 0-253         |
| 25      | Altiga-IPSec-LTL-Keepalives                     | ENUM:<br>False<br>True                                                     | 0-1           |
| 26      | Altiga-Argument-IPSec-Group-Name                | String                                                                     | 0-253         |
| 27      | Altiga-IPSec-Split-Tunneling                    | String                                                                     | 0-253         |
| 28      | Altiga-IPSec-Default-Domain                     | String                                                                     | 0-253         |
| 28      | Altiga-IPSec-Secondary-Domain-List              | String                                                                     | 0-253         |
| 30      | Altiga-IPSec-Tunnel-Type                        | ENUM:<br>LAN to<br>LAN<br>Remote<br>Access                                 | 1-2           |



Table C-7 Altiga VSAs (continued)

| SubAttr | VSA Name                                       | Type                   | Min-Max Value |
|---------|------------------------------------------------|------------------------|---------------|
| 31      | Altiga-IPSec-Mode-Configuration                | ENUM:<br>False<br>True | 0-1           |
| 32      | Altiga-Argument-Authentication-Server-Priority | UINT32                 | 0-253         |
| 33      | Altiga-IPSec-Group-Lock-Of-User                | ENUM:<br>False<br>True | 0-1           |
| 34      | Altiga-IPSec-IPSec-Over-UDP                    | ENUM:<br>False<br>True | 0-1           |
| 35      | Altiga-IPSec-UDP-Port-For-IPSec                | UINT32                 | 0-253         |
| 128     | Altiga-Partitioning-Primary-DHCP               |                        |               |
| 129     | Altiga-Partitioning-Secondary-DHCP             | IP Address             | 0-253         |
| 131     | Altiga-Partitioning-Premise-Rout               | IP Address             | 0-253         |
| 132     | Altiga-Partitioning-Partition-Max-Sessions     | String                 | 0-253         |
| 133     | Altiga-Partitioning-Mobile-IP-Key              | String                 | 0-253         |
| 134     | Altiga-Partitioning-Mobile-IP-Address          | IP Address             | 0-253         |
| 135     | Altiga-Partitioning-Mobile-IP-SPI              | IP Address             | 0-253         |
| 136     | Altiga-Partitioning-Strip-Realm                | ENUM:<br>False<br>True | 0-1           |
| 137     | Altiga-Partitioning-Group-ID                   | UINT32                 | 0-253         |
| 250     | Altiga-Group-Name                              | String                 | 0-253         |

## Ascend VSAs

Table C-8 lists the Ascend VSAs. The vendor ID for Ascend VSAs is 529.

**Table C-8** Ascend VSAs

| SubAttr | VSA Name                       | Type                                                                                               | Min-Max Value |
|---------|--------------------------------|----------------------------------------------------------------------------------------------------|---------------|
| 17      | Ascend-Change-Password         | String                                                                                             | 0 - 253       |
| 18      | Ascend-Session-Type            | ENUM:<br>Unused<br>Unknown<br>G711-Ulaw<br>G711-Alaw<br>G712<br>G729<br>G712-64KPS<br>G728<br>RT24 | 0 - 8         |
| 19      | Ascend-H312-Gatekeeper         | IP Address                                                                                         | 0 - 253       |
| 21      | Ascend-H312-Conference-ID      | String                                                                                             | 0-253         |
| 22      | Ascend-H312-Destination-NAS-ID | IP Address                                                                                         | 0-65535       |
| 12      | Ascend-H312-Dialed-Time        | UINT32                                                                                             | 0-253         |
| 24      | Ascend-H312-Dialed-Number      | String                                                                                             | 0-253         |
| 25      | Ascend-Inter-Arrival-Jitter    | UINT32                                                                                             | 0-253         |
| 26      | Ascend-Dropped-Octets          | UINT32                                                                                             | 0-253         |
| 27      | Ascend-Dropped-Packets         | UINT32                                                                                             | 0-253         |
| 48      | Ascend-Call-Direction          | ENUM:<br>Incoming<br>Outgoing                                                                      | 0-1           |

Table C-8 Ascend VSAs (continued)

| SubAttr | VSA Name                    | Type                                                                                             | Min-Max Value                                                                                                                                                                                                                                         |
|---------|-----------------------------|--------------------------------------------------------------------------------------------------|-------------------------------------------------------------------------------------------------------------------------------------------------------------------------------------------------------------------------------------------------------|
| 49      | Ascend-Service-Type         | ENUM                                                                                             | 0 - 12;<br>NotUsed<br>None<br>EuUi<br>Telnet<br>TelnetBin<br>RawTcp<br>TermServer<br>MP<br>VirtualConn<br>X25DChan<br>PseuTun<br>PPP<br>IpFax<br>Other<br>ATM<br>HdlcNrm<br>VoIp<br>Visa2<br>PPP<br>Slip<br>MPP<br>X25<br>Combine<br>t<br>FR<br>EuRaw |
| 68      | Ascend-Tunnel-ID            | String                                                                                           | 0 - 253                                                                                                                                                                                                                                               |
| 126     | Ascend-Route-Preference     | ENUM:<br>Interface,<br>OSPF-Internal<br>,<br>RIP,<br>Down-WAN,<br>OSPF-ASE,<br>Infinite,<br>ICMP | 0-225                                                                                                                                                                                                                                                 |
| 132     | Ascend-Client-Gateway       | IP Address                                                                                       | 0 - 253                                                                                                                                                                                                                                               |
| 144     | Ascend-Assign-IP-Client     | IP Address                                                                                       | 0-0                                                                                                                                                                                                                                                   |
| 145     | Ascend-Assign-IP-Server     | IP Address                                                                                       | 0-0                                                                                                                                                                                                                                                   |
| 152     | Ascend-Multicast-Rate-Limit | UINT32                                                                                           | 0-65535                                                                                                                                                                                                                                               |
| 162     | Ascend-FR-DCE-N392          | UINT32                                                                                           | 0-65535                                                                                                                                                                                                                                               |

Table C-8 Ascend VSAs (continued)

| SubAttr | VSA Name                   | Type                                                               | Min-Max Value |
|---------|----------------------------|--------------------------------------------------------------------|---------------|
| 163     | Ascend-FR-DTE-N392         | UINT32                                                             | 0-65535       |
| 164     | Ascend-FR-DCE-N393         | UINT32                                                             | 0-65535       |
| 165     | Ascend-FR-DTE-N393         | UINT32                                                             | 0-65535       |
| 166     | Ascend-FR-T391             | UINT32                                                             | 0-65535       |
| 167     | Ascend-FR-T392             | UINT32                                                             | 0-65535       |
| 168     | Ascend-Bridge-Address      | UINT32                                                             | 1-253         |
| 169     | Ascend-TS-Idle-Limit       | UINT32                                                             | 0-65535       |
| 170     | Ascend-TS-Idle-Mode        | ENUM;<br>TS-Idle-None<br>TS-Idle-Input<br>TS-Idle-Input-<br>Output | 0-2           |
| 171     | Ascend-DBA-Monitor         | ENUM;<br>Transmit<br>Transmit-Rece<br>ive<br>None                  | 0-2           |
| 172     | Ascend-Base-Channel-Count  | UINT32                                                             | 0-65535       |
| 173     | Ascend-Minimum-Channels    | UINT32                                                             | 0-65535       |
| 174     | Ascend-IPX-Route           | String                                                             | 1-253         |
| 175     | Ascend-FT1-Caller          | ENUM;<br>FT1-No<br>FT1-Yes                                         | 0-1           |
| 176     | Ascend-Backup              | String                                                             | 1-253         |
| 177     | Ascend-Call-Type           | ENUM;<br>Nailed<br>Nailed/MPP<br>Perm/Switche<br>d                 | 0-2           |
| 178     | Ascend-Group               | String                                                             | 1-253         |
| 179     | Ascend-FR-DLCI             | UINT32                                                             | 0-65535       |
| 180     | Ascend-FR-Profile-Name     | String                                                             | 1-253         |
| 181     | Ascend-Ara-PW              | String                                                             | 1-253         |
| 182     | Ascend-IPX-Node-Address    | String                                                             | 1-253         |
| 183     | Ascend-Home-Agent-IP-Addr  | IP Address                                                         | 0-0           |
| 184     | Ascend-Home-Agent-Password | String                                                             | 1-253         |
| 185     | Ascend-Home-Network-Name   | String                                                             | 1-253         |
| 186     | Ascend-Home-Agent-UDP-Port | UINT32                                                             | 0-65535       |
| 187     | Ascend-Multilink-ID        | UINT32                                                             | 0-65535       |

**Table C-8 Ascend VSAs (continued)**

| <b>SubAttr</b> | <b>VSA Name</b>           | <b>Type</b> | <b>Min-Max Value</b> |
|----------------|---------------------------|-------------|----------------------|
| 188            | Ascend-Num-In-Multilink   | UINT32      | 0-65535              |
| 189            | Ascend-First-Dest         | IP Address  | 0-0                  |
| 190            | Ascend-Pre-Input-Octets   | UINT32      | 0-65535              |
| 191            | Ascend-Pre-Output-Octets  | UINT32      | 0-65535              |
| 192            | Ascend-Pre-Input-Packets  | UINT32      | 0-65535              |
| 193            | Ascend-Pre-Output-Packets | UINT32      | 0-65535              |
| 194            | Ascend-Maximum-Time       | UINT32      | 0-65535              |

Table C-8 Ascend VSAs (continued)

| SubAttr | VSA Name                                  | Type                                                                                                                                                                                                                                                                                                                                                                                                                                                                                                                      | Min-Max Value |
|---------|-------------------------------------------|---------------------------------------------------------------------------------------------------------------------------------------------------------------------------------------------------------------------------------------------------------------------------------------------------------------------------------------------------------------------------------------------------------------------------------------------------------------------------------------------------------------------------|---------------|
| 195     | vAscend-Pre-Output-Packets<br>(continued) | ENUM:<br>No-Reason,<br>Not-Applicable,<br>Modem-No-DCD,<br>Session-Timeout,<br>Invalid-Incoming-User,<br>Disconnect-Due-To-Callback,<br>DCD-Detected-Then-Inactive,<br>Modem-Invalid-Result-Codes,<br>Protocol-Disabled-Or-Unsupported,<br>Disconnect-Request-By-RADIUS,<br>Disconnect-Request-By-Local-Admin,<br>V110-Timeout-Or-Sync-Retry-Ex,<br>PPP-Auth-Timeout-Exceeded,<br>User-Executed-Do-Hangup,<br>Remote-End-Hung-Up,<br>Resource-Has-Been-Quiesced,<br>Max-Call-Duration-Reached,<br>Unknown,<br>(continued) | 0-195         |

Table C-8 Ascend VSAs (continued)

| SubAttr | VSA Name                   | Type                                                                                                                                                                                                                                                                                                                                                                                                                                                                                           | Min-Max Value |
|---------|----------------------------|------------------------------------------------------------------------------------------------------------------------------------------------------------------------------------------------------------------------------------------------------------------------------------------------------------------------------------------------------------------------------------------------------------------------------------------------------------------------------------------------|---------------|
| 195     | vAscend-Pre-Output-Packets | ENUM:<br>TermSrv-User-Quit,<br>TermSrv-Idle-Timeout,<br>TermSrv-Exit-Telnet,<br>TermSrv-No-I Paddr,<br>TermSrv-Exit-Raw-TCP,<br>TermSrv-Exit-Login-Failed,<br>TermSrv-Exit-Raw-TCP-Disabled,<br>TermSrv-CTRL-C-In-Login,<br>TermSrv-Destroyed,<br>TermSrv-User-Closed-VCon,<br>Call-Disconnected,<br>TermSrv-VCon-Destroyed,<br>TermSrv-Exit-Rlogin,<br>TermSrv-Bad-Rlogin-Option,<br>TermSrv-Not-Enough-Resources,<br>MPP-No-NUL L-Msg-Timeout,<br>CLID-Authentication-Failed,<br>(continued) | 0-195         |

Table C-8 Ascend VSAs (continued)

| SubAttr | VSA Name                   | Type                                                                                                                                                                                                                                                                                                                                                    | Min-Max Value |
|---------|----------------------------|---------------------------------------------------------------------------------------------------------------------------------------------------------------------------------------------------------------------------------------------------------------------------------------------------------------------------------------------------------|---------------|
| 195     | vAscend-Pre-Output-Packets | ENUM:<br>PPP-LCP-Tim<br>eout,<br>PPP-LCP-Neg<br>otiation-Failed,<br>PPP-PAP-Aut<br>h-Failed,<br>PPP-CHAP-A<br>uth-Failed,<br>PPP-Rmt-Auth<br>-Failed,<br>PPP-Rcv-Term<br>inate-Req,<br>PPP-Rcv-Clos<br>e-Event,<br>PPP-No-NCPs<br>-Open,<br>PPP-MP-Bund<br>le-Unknown,.<br>PPP-LCP-Clos<br>e-MP-Add-Fai<br>l,<br>CLID-RADIU<br>S-Timeout<br>(continued) | 0-195         |



Table C-8 Ascend VSAs (continued)

| SubAttr | VSA Name                                  | Type                                                                                                                                                                                                                                                                                                                 | Min-Max Value |
|---------|-------------------------------------------|----------------------------------------------------------------------------------------------------------------------------------------------------------------------------------------------------------------------------------------------------------------------------------------------------------------------|---------------|
| 195     | vAscend-Pre-Output-Packets<br>(continued) | Out-Of-Resources,<br>Invalid-IP-Address,<br>Hostname-Resolution-Failed,<br>Bad-Or-Missing-Port-Number,<br>Host-Reset,<br>Connection-Refused,<br>Connection-Timeout,<br>Connection-Closed,<br>Network-Unreachable,<br>Host-Unreachable,<br>Network-Unreachable-Admin,<br>Host-Unreachable-Admin,<br>Port-Unreachable, |               |

Table C-8 Ascend VSAs (continued)

| SubAttr | VSA Name                | Type                                                                                                                                                                                                                                                                                                                                                                                                                                 | Min-Max Value |
|---------|-------------------------|--------------------------------------------------------------------------------------------------------------------------------------------------------------------------------------------------------------------------------------------------------------------------------------------------------------------------------------------------------------------------------------------------------------------------------------|---------------|
| 196     | Ascend-Connect-Progress | ENUM:<br>No-Progress,<br>unknown1,<br>Call-Up,<br>unknown2,<br>Modem-Up,<br>Modem-Awaiti<br>ng-DCD,<br>Modem-Awaiti<br>ng-Codes,<br>TermSrv-Start<br>ed,<br>TermSrv-Raw-<br>TCP-Started,<br>TermSrv-Telne<br>t-Started,<br>TermSrv-Raw-<br>TCP-Connecte<br>d,<br>TermSrv-Telne<br>t-Connected,<br>TermSrv-Rlogi<br>n-Started,<br>TermSrv-Rlogi<br>n-Connected,<br>TermSrv-Auth<br>entication-Beg<br>in,<br>Modem-Outdi<br>al-Call-Up | 0-94          |

Table C-8 Ascend VSAs (continued)

| SubAttr | VSA Name                | Type                                                                                                                                                                                                                                                                                                                                                                                                                                                                                                                         | Min-Max Value |
|---------|-------------------------|------------------------------------------------------------------------------------------------------------------------------------------------------------------------------------------------------------------------------------------------------------------------------------------------------------------------------------------------------------------------------------------------------------------------------------------------------------------------------------------------------------------------------|---------------|
| 196     | Ascend-Connect-Progress | ENUM:<br>LAN-Session-Up,<br>LCP-Opening,<br>CCP-Opening,<br>IPNCP-Opening,<br>NCP-Opening,<br>LCP-Opened,<br>CCP-Opened,<br>IPNCP-Opened,<br>BNCP-Opened,<br>LCP-State-Initial,<br>LCP-State-Starting,<br>LCP-State-Closed,<br>LCP-State-Stopped,<br>BACP-Opened,<br>LCP-State-Stopping,<br>LCP-State-Request-Sent,<br>LCP-State-Ack-Received,<br>LCP-State-Ack-Sent,<br>IPXNCP-Opened,<br>ATNCP-Opened,<br>BACP-Opening,<br>V110-Up,<br>V110-State-Opened,<br>V110-State-Carrier,<br>V110-State-Reset,<br>V110-State-Closed | 0-94          |
| 197     | Ascend-Data-Rate        | UINT32                                                                                                                                                                                                                                                                                                                                                                                                                                                                                                                       | 0-65535       |

Table C-8 Ascend VSAs (continued)

| SubAttr | VSA Name                | Type                                                                                                                                                                                                                                                                                                                     | Min-Max Value |
|---------|-------------------------|--------------------------------------------------------------------------------------------------------------------------------------------------------------------------------------------------------------------------------------------------------------------------------------------------------------------------|---------------|
| 198     | Ascend-PreSession-Time  | UINT32                                                                                                                                                                                                                                                                                                                   | 0-65535       |
| 199     | Ascend-Token-Idle       | UINT32                                                                                                                                                                                                                                                                                                                   | 0-65535       |
| 200     |                         | ENUM:<br>Tok-Imm-No,<br>Tok-Imm-Yes                                                                                                                                                                                                                                                                                      | 0-1           |
| 201     | Ascend-Require-Auth     | ENUM:<br>Not-Require-Auth<br>Require-Auth<br>Pap-Only<br>Pap-Only<br>Pap-Login-Only<br>Pap-Framed-Only<br>Pap-Outbound-Only<br>CHAP-Only<br>CHAP-Only<br>CHAP-Login-Only<br>CHAP-Framed-Only<br>CHAP-Outbound-Only<br>MS-CHAP-Only<br>MS-CHAP-Only<br>MS-CHAP-Login-Only<br>MS-CHAP-Framed-Only<br>MS-CHAP-Outbound-Only | 0-55          |
| 210     | Ascend-PPP-VJ-Slot-Comp | ENUM:<br>VJ-Slot-Comp<br>-No                                                                                                                                                                                                                                                                                             | 1-1           |
| 211     | Ascend-PPP-VJ-1172      | ENUM:<br>PPP-VJ-1172                                                                                                                                                                                                                                                                                                     | 1-1           |
| 212     | Ascend-PPP-Async-Map    | UINT32                                                                                                                                                                                                                                                                                                                   | 0-65535       |
| 213     | Ascend-Third-Prompt     | String                                                                                                                                                                                                                                                                                                                   | 1-253         |
| 214     | Ascend-Send-Secret      | String                                                                                                                                                                                                                                                                                                                   | 1-253         |
| 215     | Ascend-Receive-Secret   | String                                                                                                                                                                                                                                                                                                                   | 1-253         |

Table C-8 Ascend VSAs (continued)

| SubAttr | VSA Name                  | Type                                                                                               | Min-Max Value |
|---------|---------------------------|----------------------------------------------------------------------------------------------------|---------------|
| 216     | Ascend-IPX-Peer-Mode      | ENUM:<br>IPX-Peer-Router,<br>IPX-Peer-Dialin                                                       | 1-1           |
| 217     | Ascend-IP-Pool-Definition | String                                                                                             | 1-253         |
| 218     | Ascend-Assign-IP-Pool     | UINT32                                                                                             | 0-65535       |
| 219     | Ascend-FR-Direct          | ENUM:<br>FR-Direct-No,<br>FR-Direct-Yes                                                            | 1-1           |
| 220     | Ascend-FR-Direct-Profile  | String                                                                                             | 1-253         |
| 221     | Ascend-FR-Direct-DLCI     | UINT32                                                                                             | 0-65535       |
| 222     | Ascend-Handle-IPX         | ENUM:<br>Handle-IPX-None,<br>Handle-IPX-Client,<br>Handle-IPX-Server                               | 0-2           |
| 212     | Ascend-Netware-timeout    | UINT32                                                                                             | 0-65535       |
| 224     | Ascend-IPX-Alias          | UINT32                                                                                             | 0-65535       |
| 225     | Ascend-Metric             | UINT32                                                                                             | 0-65535       |
| 226     | Ascend-PRI-Number-Type    | ENUM:<br>Unknown-Number,<br>Intl-Number,<br>National-Number,<br>Local-Number<br>Abbrev-Number      | 0-5           |
| 227     | Ascend-Dial-Number        | String                                                                                             | 1-253         |
| 228     | Ascend-Route-IP           | ENUM:<br>Unknown-Number,<br>Intl-Number,<br>National-Number,<br>Local-Number<br>,<br>Abbrev-Number | 0-5           |

Table C-8 Ascend VSAs (continued)

| SubAttr | VSA Name                  | Type                                                                                            | Min-Max Value |
|---------|---------------------------|-------------------------------------------------------------------------------------------------|---------------|
| 229     | Ascend-Route-IPX          | ENUM:<br>Route-IPX-No<br>Route-IPX-Yes                                                          | 0-1           |
| 120     | Ascend-Bridge             | ENUM:<br>Bridge-No,<br>Bridge-Yes                                                               | 0-1           |
| 121     | Ascend-Send-Auth          | ENUM:<br>Send-Auth-None,<br>Send-Auth-PAP,<br>Send-Auth-CHAP                                    | 0-2           |
| 122     | Ascend-Send-Password      | String                                                                                          | 1-253         |
| 123     | Ascend-Link-Compression   | ENUM:<br>Link-Comp-None,<br>Link-Comp-Stack,<br>Link-Comp-Stack-Draft-9,<br>Link-Comp-MSS-Stack | 0-3           |
| 124     | Ascend-Target-Util        | UINT32                                                                                          | 0-65535       |
| 125     | Ascend-Maximum-Channels   | UINT32                                                                                          | 0-65535       |
| 126     | Ascend-Inc-Channel-Count  | UINT32                                                                                          | 0-65535       |
| 127     | Ascend-Dec-Channel-Count  | UINT32                                                                                          | 0-65535       |
| 128     | Ascend-Seconds-Of-History | UINT32                                                                                          | 0-65535       |
| 129     | Ascend-History-Weigh-Type | ENUM:<br>History-Constant,<br>History-Linear,<br>History-Quadratic                              | 0-2           |
| 240     | Ascend-Add-Seconds        | UINT32                                                                                          | 0-65535       |
| 241     | Ascend-Remove-Seconds     | UINT32                                                                                          | 0-65535       |
| 242     | Ascend-Data-Filter        | String                                                                                          | 1-253         |
| 243     | Ascend-Call-Filter        | String                                                                                          | 1-253         |
| 244     | Ascend-Idle-Limit         | UINT32                                                                                          | 0-65535       |
| 245     | Ascend-Idle-Limit         | UINT32                                                                                          | 0-65535       |

**Table C-8** Ascend VSAs (continued)

| <b>SubAttr</b> | <b>VSA Name</b> | <b>Type</b>                           | <b>Min-Max Value</b> |
|----------------|-----------------|---------------------------------------|----------------------|
| 246            | Ascend-Callback | ENUM:<br>Callback-No,<br>Callback-Yes | 0-1                  |

Table C-8 Ascend VSAs (continued)

| SubAttr | VSA Name        | Type                                                                                                                                                                                                                                                                                                                                                                                                                                                                                                                                              | Min-Max Value |
|---------|-----------------|---------------------------------------------------------------------------------------------------------------------------------------------------------------------------------------------------------------------------------------------------------------------------------------------------------------------------------------------------------------------------------------------------------------------------------------------------------------------------------------------------------------------------------------------------|---------------|
| 247     | Ascend-Data-Svc | ENUM:<br>Switched-Voice-Bearer,<br>Switched-56KR,<br>Switched-192K,<br>Switched-256K,<br>Switched-320K,<br>Switched-384K-MR,<br>Switched-448K,<br>Switched-512K,<br>Switched-566K,<br>Switched-640K,<br>Switched-704K,<br>Switched-768K,<br>Switched-64K,<br>Switched-832K,<br>Switched-896K,<br>Switched-960K,<br>Switched-1024K,<br>Switched-1088K,<br>Switched-1152K,<br>Switched-1216K,<br>Switched-1280K,<br>Switched-1344K,<br>Switched-1408K,<br>Switched-64KR,<br>Switched-1472K,<br>Switched-1600K,<br>Switched-1664K,<br>Switched-1728K | 0-43          |



**Table C-8 Ascend VSAs (continued)**

| SubAttr | VSA Name                | Type                                  | Min-Max Value |
|---------|-------------------------|---------------------------------------|---------------|
| 248     | Ascend-Force-56         | ENUM:<br>Force-56-No,<br>Force-56-Yes | 0-1           |
| 249     | Ascend-Billing-Number   | String                                | 1-253         |
| 250     | Ascend-Call-By-Call     | UINT32                                | 0-65535       |
| 251     | Ascend-Transit-Number   | String                                | 1-253         |
| 252     | Ascend-Host-Info        | String                                | 1-253         |
| 253     | Ascend-PPP-Address      | IP Address                            | 0-0           |
| 254     | Ascend-MPP-Idle-Percent | UINT32                                | 0-65535       |

## Bay Networks VSAs

Table C-9 lists the Bay Networks VSAs. The vendor ID for Bay Networks VSAs is 1584.

**Table C-9 Bay Networks VSAs**

| SubAttr | VSA Name                 | Type   | Min-Max Value |
|---------|--------------------------|--------|---------------|
| 28      | Annex-Filter             | String | 1-253         |
| 29      | Annex-CLI-Command        | String | 1-253         |
| 30      | Annex-CLI-Filter         | String | 1-253         |
| 31      | Annex-Host-Restrict      | String | 1-253         |
| 32      | Annex-Host-Allow         | String | 1-253         |
| 33      | Annex-Product-Name       | String | 1-253         |
| 34      | Annex-SW-Version         | String | 1-253         |
| 35      | Annex-Local-IP-Address   | IPADDR | 1-253         |
| 36      | Annex-Callback-Portlist  | UINT32 | 0-0           |
| 44      | Annex-System-Disc-Reason | UINT32 | 0-0           |
| 45      | Annex-Modem-Disc-Reason  | UINT32 | 0-0           |
| 46      | Annex-Disconnect-Reason  | UINT32 | 0-0           |
| 50      | Annex-Transmit-Speed     | UINT32 | 0-0           |
| 51      | Annex-Receive-Speed      | UINT32 | 0-0           |

## Cabletron VSAs

Table C-10 lists the Cabletron VSAs. The vendor ID for Cabletron VSAs is 52.

**Table C-10** Cabletron VSAs

| SubAttr | VSA Name                       | Type                                                        | Min-Max Value |
|---------|--------------------------------|-------------------------------------------------------------|---------------|
| 192     | Cabletron-Framed-Data-Rate     | ENUM:<br>Rate-56KB<br>Rate-64KB<br>Rate-112KB<br>Rate-128KB | 0-4           |
| 193     | Cabletron-Phone-Number         | String                                                      | 0-253         |
| 194     | Cabletron-Caller-Id            | String                                                      | 0-253         |
| 196     | Cabletron-Connection-Reference | UINT32                                                      | 0-253         |
| 198     | Cabletron-Initial-Rate         | UINT32                                                      | 0-253         |
| 199     | Cabletron-Maximum-Rate         | UINT32                                                      | 0-253         |
| 192     | Cabletron-Framed-Data-Rate     | Enum:<br>Rate-56KB<br>Rate-64KB<br>Rate-112KB<br>Rate-128KB | 192           |

## Cisco Prime Access Registrar Internal VSAs

Table C-11 lists the Prime Access Registrar Internal VSAs. The vendor ID for Prime Access Registrar internal VSAs is 1760.

**Table C-11** Prime Access Registrar Internal VSAs

| SubAttr | VSA Name                    | Type       | Min-Max Value |
|---------|-----------------------------|------------|---------------|
| 1       | Realm                       | String     | 1-253         |
| 2       | Incoming-Translation-Groups | String     | 1-253         |
| 3       | Client-IP-Address           | IP Address | 1-253         |
| 4       | Subnet-Mask                 | IP Address | 1-253         |
| 5       | Outgoing-Translation-Groups | String     | 1-253         |
| 6       | Authentication-Service      | String     | 1-253         |
| 7       | Authorization-Service       | String     | 1-253         |
| 8       | DNIS                        | String     | 1-253         |
| 9       | CLID                        | String     | 1-253         |
| 10      | UserFilterMask              | String     | 1-253         |

**Table C-11 Prime Access Registrar Internal VSAs (continued)**

| SubAttr | VSA Name              | Type                           | Min-Max Value |
|---------|-----------------------|--------------------------------|---------------|
| 11      | Session-Manager       | String                         | 1-253         |
| 12      | Accounting-Service    | String                         | 1-253         |
| 13      | TimeRange             | String                         | 1-253         |
| 14      | AcceptedProfiles      | String                         | 1-253         |
| 15      | Policy                | String                         | 1-253         |
| 16      | Prefix                | String                         | 1-253         |
| 17      | Delimiters            | String                         | 1-253         |
| 18      | StripPrefix           | String                         | 1-253         |
| 19      | ODBC-Reply-Attribs    | String                         | 1-253         |
| 20      | ODBC-Check-Attribs    | String                         | 1-253         |
| 21      | Session-Service       | String                         | 1-253         |
| 22      | Prepaid               | ENUM:<br>0 = False<br>1 = True | 0-1           |
| 12      | Suffix                | String                         | 0-253         |
| 12      | Implicit-Auth-Enabled | ENUM:<br>0 = False<br>1 = True | 0-1           |
| 24      | StripSuffix           | ENUM:<br>0 = False<br>1 = True | 0-1           |
| 24      | Query-Service         | String                         | 0-253         |
| 92      | RepSourceIP           | String                         | 1-253         |
| 93      | RepTargetIP           | String                         | 1-253         |
| 94      | RepTxnNum             | String                         | 1-253         |
| 95      | RepTxnCRC             | String                         | 1-253         |
| 96      | RepTxnElementCount    | String                         | 1-253         |
| 97      | RepNeedsFullSync      | UINT32                         | 0-253         |
| 98      | RepNeedsReSync        | UINT32                         | 0-253         |
| 99      | RepLastRxTxnNum       | UINT32                         | 0-253         |
| 100     | RepLastRxTxnCRC       | UINT32                         | 0-253         |
| 101     | RepNeedsMember        | UINT32                         | 0-253         |
| 102     | RepMemberName         | String                         | 1-253         |
| 103     | RepMemberIP           | IP Address                     | 0-253         |
| 104     | RepMemberPort         | UINT32                         | 0-253         |
| 105     | RepMemberOrdinal      | UINT32                         | 0-253         |

**Table C-11 Prime Access Registrar Internal VSAs (continued)**

| SubAttr | VSA Name          | Type      | Min-Max Value |
|---------|-------------------|-----------|---------------|
| 106     | RepWorkLoad       | UINT32    | 0-253         |
| 107     | RepTxTime         | UINT32    | 0-253         |
| 108     | RepElementPath    | String    | 1-253         |
| 109     | RepElementValue   | String    | 1-253         |
| 110     | RepElementOrdinal | UINT32    | 0-253         |
| 111     | RepElementCRC     | UINT32    | 0-253         |
| 112     | RepElementType    | UINT32    | 0-253         |
| 113     | RepElementMode    | UINT32    | 0-253         |
| 114     | RepPartialElement | Undefined | 0-253         |

## Cisco VSAs

Table C-12 lists the Cisco VSAs. The vendor ID for Cisco VSAs is 9.

**Table C-12 Cisco VSAs**

| SubAttr | VSA Name                     | Type       | Min-Max Value |
|---------|------------------------------|------------|---------------|
| 1       | Cisco-AVPair                 | String     | 0-253         |
| 2       | Cisco-NAS-Port               | String     | 0-253         |
| 3       | Cisco-Fax-Account-ID-Origin  | String     | 0-253         |
| 4       | Cisco-Fax-Message-ID         | String     | 0-253         |
| 5       | Cisco-Fax-Pages              | String     | 0-253         |
| 6       | Cisco-FAX Cover Page Flag    | String     | 0-253         |
| 7       | Cisco-Fax-Modem-Time         | String     | 0-253         |
| 8       | Cisco-Fax-Connect-Speed      | String     | 0-253         |
| 9       | Cisco-Fax-Recipient-Count    | String     | 0-253         |
| 10      | Cisco-Fax-Process-Abort-Flag | String     | 0-253         |
| 11      | Cisco-Fax-DSN-Address        | String     | 0-253         |
| 12      | Cisco-Fax-DSN-Flag           | String     | 0-253         |
| 13      | Cisco-Fax-MDN-Address        | String     | 0-253         |
| 14      | Cisco-Fax-MDN-Flag           | String     | 0-253         |
| 15      | Cisco-Fax-Auth-Status        | String     | 0-253         |
| 16      | Cisco-Email-Server-Address   | IP Address |               |

Table C-12 Cisco VSAs (continued)

| SubAttr | VSA Name                                        | Type                         | Min-Max Value |
|---------|-------------------------------------------------|------------------------------|---------------|
| 17      | Cisco-Email-Server-ACK Flag                     | String                       | 0-253         |
| 18      | Cisco-Gateway-ID                                | String                       | 0-253         |
| 19      | Cisco-Call-Type                                 | String                       | 0-253         |
| 20      | Cisco-Port-Used                                 | String                       | 0-253         |
| 21      | Cisco-Abort-Cause                               | String                       | 0-253         |
| 22      | Cisco-CRS-Info                                  | String                       | 0-253         |
| 12      | Cisco-h312-Remote-Address                       | String                       | 0-253         |
| 24      | Cisco-h312-Conf-ID                              | String                       | 0-253         |
| 25      | Cisco-h312-Setup-Time                           | String                       | 0-253         |
| 26      | Cisco-h312-Call-Origin                          | String                       | 0-253         |
| 27      | Cisco-h312-Call-Type                            | String                       | 0-253         |
| 28      | Cisco-h312-Connect-Time                         | String                       | 0-253         |
| 29      | Cisco-h312-Disconnect-Time                      | String                       | 0-253         |
| 30      | Cisco-h312-Disconnect-Cause                     | String                       | 0-253         |
| 31      | Cisco-h312-Voice-Quality                        | String                       | 0-253         |
| 32      | Cisco-h312-Generic-IVR-Out                      | String                       | 0-253         |
| 33      | Cisco-h312-Gateway-ID                           | String                       | 0-253         |
| 34      | Cisco-3GPP2-AVPair                              | String                       | 0-253         |
| 35      | Cisco Connection ID-h312-incoming-connection-ID | String                       | 0-253         |
| 100     | Cisco-h312-Generic-IVR-In                       | String                       | 0-253         |
| 101     | Cisco-h312-Amount-Balance                       |                              |               |
| 102     | Cisco-h312-Time-Balance                         | String                       | 0-253         |
| 103     | Cisco-h312-Return-Code                          | String                       | 0-253         |
| 104     | Cisco-h312-Prompt-ID                            | String                       | 0-253         |
| 105     | Cisco-h312-Time-of-Day                          | String                       | 0-253         |
| 106     | Cisco-h312-Redirect-Number                      | String                       | 0-253         |
| 107     | Cisco-h312-Preferred-Language                   | String                       | 0-253         |
| 108     | Cisco-h312-Redirect-IP-Address                  | String                       | 0-253         |
| 109     | Cisco-h312-Billing-Model                        | ENUM:<br>postpaid<br>prepaid | 0-1           |
| 110     | Cisco-h312-Currency                             | String                       | 0-253         |

Table C-12 Cisco VSAs (continued)

| SubAttr | VSA Name                          | Type         | Min-Max Value |
|---------|-----------------------------------|--------------|---------------|
| 128     | Cisco-UCP-IP-Pool-ID              | String       | 0-253         |
| 129     | Cisco-UCP-User-Max-Sessions       | String       | 0-253         |
| 130     | Cisco-UCP-User-Session-Count      | String       | 0-253         |
| 131     | Cisco-UCP-Next-Session-ID         | String       | 0-253         |
| 132     | Cisco-UCP-VPDN-Max-Sessions       | String       | 0-253         |
| 133     | Cisco-UCP-VPDN-Session-Count      | String       | 0-253         |
| 134     | Cisco-UCP-B-Channel-Max-Sessions  | String       | 0-253         |
| 135     | Cisco-UCP-B-Channel-Session-Count | String       | 0-253         |
| 136     | Cisco-UCP-Status                  | String       | 0-253         |
| 137     | Cisco-UCP-BLOB-Attribute-Length   | String       | 0-253         |
| 138     | Cisco-UCP-Disable-Status          | String       | 0-253         |
| 139     | Cisco-UCP-Block-Access-Range      | String       | 0-253         |
| 140     | Cisco-UCP-Home-POP-ID             | String       | 0-253         |
| 175     | Cisco-UCP-IP-Addresses            | IP Addresses | 0-253         |
| 176     | Cisco-UCP-Session-Info            | String       | 0-253         |
| 211     | Cisco-Ascend AV pairs             | String       | 0-253         |
| 250     | Cisco-SSG-Account-Info            | String       | 0-253         |
| 251     | Cisco-SSG-Service-Info            | String       | 0-253         |
| 252     | Cisco-SSG-Command-Code            | String       | 0-253         |
| 253     | Cisco-SSG-Control-Info            | String       | 0-253         |

## Compatible VSAs

Table C-13 lists the Compatible VSAs. The vendor ID for Compatible VSAs is 255.

**Table C-13**      *Compatible VSAs*

| SubAttr | VSA Name                          | Type       | Min-Max Value |
|---------|-----------------------------------|------------|---------------|
| 0       | Compatible-Tunnel-Delay           | UNIT32     | 0-253         |
| 1       | Compatible-Tunnel-Throughput      | UNIT32     | 0-253         |
| 3       | Compatible-Tunnel-Server-Endpoint | IP Address | 0-253         |
| 4       | Compatible-Tunnel-Group-Info      | String     | 0-253         |
| 5       | Compatible-Tunnel-Password        | String     | 0-253         |
| 6       | Compatible-Echo                   | UNIT32     | 0-253         |
| 7       | Compatible-Tunnel-Client-IPX      | UNIT32     | 0-253         |

## Microsoft VSAs

Table C-14 lists the Microsoft VSAs. The vendor ID for Microsoft VSAs is 311.

**Table C-14**      *Microsoft VSAs*

| SubAttr | VSA Name                  | Type                                               | Min-Max Value |
|---------|---------------------------|----------------------------------------------------|---------------|
| 1       | MS-CHAP-Response          | String                                             | 50-50         |
| 2       | MS-CHAP-Error             | String                                             | 0-253         |
| 3       | MS-CHAP-CPW1              | String                                             | 70-70         |
| 4       | MS-CHAP-CPW2              | String                                             | 84-84         |
| 5       | MS-CHAP-LM-Enc-PW         | String                                             | 4-253         |
| 6       | MS-CHAP-NT-Enc-PW         | String                                             | 4-253         |
| 7       | MS-MPPE-Encryption-Policy | ENUM:<br>Encryption-Allowed<br>Encryption-Required | 1-2           |
| 8       | MS-MPPE-Encryption-Types  | String                                             | 0-4           |
| 9       | MS-RAS-Vendor             | UINT32                                             | 0-253         |
| 10      | MS-CHAP-Domain            | String                                             | 0-253         |
| 11      | MS-CHAP-Challenge         | String                                             | 0-253         |
| 12      | MS-CHAP-MPPE-Keys         | String                                             | 32-32         |
| 13      | MS-BAP-Usage              | ENUM:<br>Not allowed<br>Allowed<br>Required        | 0-2           |

Table C-14 Microsoft VSAs (continued)

| SubAttr | VSA Name                       | Type                                                                                                      | Min-Max Value |
|---------|--------------------------------|-----------------------------------------------------------------------------------------------------------|---------------|
| 14      | MS-Link-Utilization-Threshold  | UINT32                                                                                                    | 0-253         |
| 15      | MS-Link-Drop-Time-Limit        | String                                                                                                    | 0-253         |
| 16      | MS-MPPE-Send-Key               | String                                                                                                    | 0-253         |
| 17      | MS-MPPE-Recv-Key               | String                                                                                                    | 0-253         |
| 18      | MS-RAS-Version                 | String                                                                                                    | 0-253         |
| 19      | MS-Old-ARAP-Password           | String                                                                                                    | 0-253         |
| 20      | MS-New-ARAP-Password           | String                                                                                                    | 0-253         |
| 21      | MS-ARAP-Password-Change-Reason | ENUM:<br>Just-Change-Password<br>Expired-Password<br>Admin-Requires-Password-Change<br>Password-Too-Short | 1-4           |
| 22      | MS-Filter                      | String                                                                                                    | 0-253         |
| 12      | MS-Acct-Auth-Type              | ENUM:<br>PAP<br>CHAP<br>MS-CHAP-1<br>MS-CHAP-2<br>EAP                                                     | 1-5           |
| 26      | MS-CHAP2-Success               | String                                                                                                    | 43-43         |
| 27      | MS-CHAP2-CPW8                  | String                                                                                                    | 68-68         |
| 29      | MS-Secondary-DNS-Server        | IP Address                                                                                                | 68-68         |
| 31      | MS-Secondary-NBNS-Server       | IP Address                                                                                                | 70-70         |
| 33      | MS-ARAP-Challenge              | String                                                                                                    | 8-8           |



## Nomadix VSAs

Table C-15 lists the Nomadix VSAs. The vendor ID for Nomadix VSAs is 3309.

**Table C-15** *Nomadix VSAs*

| SubAttr | VSA Name            | Type   | Min-Max Value |
|---------|---------------------|--------|---------------|
| 1       | Nomadix-Bw-Up 0 253 | UINT32 | 0-253         |
| 2       | Nomadix-Dw-Down     | UINT32 | 0-253         |

## RedBack VSAs

Table C-16 lists the RedBack VSAs. The vendor ID for RedBack VSAs is 1252.

**Table C-16** *RedBack VSAs*

| SubAttr | VSA Name                    | Type   | Min-Max Value |
|---------|-----------------------------|--------|---------------|
| 1       | RedBack-Client-DNS-Pri      | String | 0-253         |
| 2       | RedBack-Client-DNS-Sec      | String | 0-253         |
| 3       | RedBack-DHCP-Max-Leases     | String | 0-253         |
| 4       | RedBack-Context-Name        | String | 0-253         |
| 5       | RedBack-Bridge-Group        | String | 0-253         |
| 6       | RedBack-BG-Aging-Time       | String | 0-253         |
| 7       | RedBack-BG-Path-Cost        | String | 0-253         |
| 8       | RedBack-BG-Span-Dis         | String | 0-253         |
| 9       | RedBack-BG-Trans-BPDU       | String | 0-253         |
| 10      | RedBack-Rate-Limit-Rate     | String | 0-253         |
| 11      | RedBack-Rate-Limit-Burst    | String | 0-253         |
| 12      | RedBack-Police-Rate         | String | 0-253         |
| 13      | RedBack-Police-Burst        | String | 0-253         |
| 14      | RedBack-Source-Validation   | String | 0-253         |
| 15      | RedBack-Tunnel-Domain       | String | 0-253         |
| 16      | RedBack-Tunnel-Local-Name   | String | 0-253         |
| 17      | RedBack-Tunnel-Remote-Name  | String | 0-253         |
| 18      | RedBack-Tunnel-Function     | String | 0-253         |
| 21      | RedBack-Tunnel-Max-Sessions | String | 0-253         |
| 22      | RedBack-Tunnel-Max-Tunnels  | String | 0-253         |
| 12      | RedBack-Tunnel-Session-Auth | String | 0-253         |
| 24      | RedBack-Tunnel-Window       | String | 0-253         |
| 25      | RedBack-Tunnel-Retransmit   | String | 0-253         |

Table C-16 RedBack VSAs (continued)

| SubAttr | VSA Name                        | Type   | Min-Max Value |
|---------|---------------------------------|--------|---------------|
| 26      | RedBack-Tunnel-Cmd-Timeout      | String | 0-253         |
| 27      | RedBack-PPPOE-URL               | String | 0-253         |
| 28      | RedBack-PPPOE-MOTM              | String | 0-253         |
| 29      | RedBack-Tunnel-Group            | String | 0-253         |
| 30      | RedBack-Tunnel-Context          | String | 0-253         |
| 31      | RedBack-Tunnel-Algorithm        | String | 0-253         |
| 32      | RedBack-Tunnel-Deadtime         | String | 0-253         |
| 33      | RedBack-Mcast-Send              | String | 0-253         |
| 34      | RedBack-Mcast-Receive           | String | 0-253         |
| 35      | RedBack-Mcast-MaxGroups         | String | 0-253         |
| 36      | RedBack-Ip-Address-Pool-Name    | String | 0-253         |
| 37      | RedBack-Tunnel-DNIS             | String | 0-253         |
| 38      | RedBack-Medium-Type             | String | 0-253         |
| 39      | RedBack-PVC-Encapsulation-Type  | String | 0-253         |
| 40      | RedBack-PVC-Profile-Name        | String | 0-253         |
| 41      | RedBack-PVC-Circuit-Padding     | String | 0-253         |
| 42      | RedBack-Bind-Type               | String | 0-253         |
| 43      | RedBack-Bind-Auth-Protocol      | String | 0-253         |
| 44      | RedBack-Bind-Auth-Max-Sessions  | String | 0-253         |
| 45      | RedBack-Bind-Bypass-Bypass      | String | 0-253         |
| 46      | RedBack-Bind-Auth-Context       | String | 0-253         |
| 47      | RedBack-Bind-Auth-Service-Grp   | String | 0-253         |
| 48      | RedBack-Bind-Bypass-Context     | String | 0-253         |
| 49      | RedBack-Bind-Int-Context        | String | 0-253         |
| 50      | RedBack-Bind-Tun-Context        | String | 0-253         |
| 51      | RedBack-Bind-Ses-Context        | String | 0-253         |
| 52      | RedBack-Bind-Dot1q-Slot         | String | 0-253         |
| 53      | RedBack-Bind-Dot1q-Port         | String | 0-253         |
| 54      | RedBack-Bind-Dot1q-Vlan-Tag-Id  | String | 0-253         |
| 55      | RedBack-Bind-Int-Interface-Name | String | 0-253         |
| 56      | RedBack-Bind-L2TP-Tunnel-Name   | String | 0-253         |

Table C-16 RedBack VSAs (continued)

| SubAttr | VSA Name                                    | Type   | Min-Max Value |
|---------|---------------------------------------------|--------|---------------|
| 57      | RedBack-Bind-L2TP-Flow-Contr<br>ol          | String | 0-253         |
| 58      | RedBack-Bind-Sub-User-At-Con<br>text        | String | 0-253         |
| 59      | RedBack-Bind-Sub-Password                   | String | 0-253         |
| 60      | RedBack-Ip-Host-Addr                        | String | 0-253         |
| 61      | RedBack-IP-TOS-Field                        | String | 0-253         |
| 62      | RedBack-NAS-Real-Port                       | String | 0-253         |
| 63      | RedBack-Tunnel-Session-Auth-C<br>tx         | String | 0-253         |
| 64      | RedBack-Tunnel-Session-Auth-S<br>ervice-Grp | String | 0-253         |
| 65      | RedBack-Tunnel-Rate-Limit-Rat<br>e          | String | 0-253         |
| 66      | RedBack-Tunnel-Rate-Limit-Bur<br>st         | String | 0-253         |
| 67      | RedBack-Tunnel-Police-Rate                  | String | 0-253         |
| 68      | RedBack-Tunnel-Police-Burst                 | String | 0-253         |
| 69      | RedBack-Tunnel-L2F-Second-Pa<br>ssword      | String | 0-253         |
| 128     | RedBack-Acct-Input-Octets-64                | String | 0-253         |
| 129     | RedBack-Acct-Output-Octets-64               | String | 0-253         |
| 130     | RedBack-Acct-Input-Packets-64               | String | 0-253         |
| 131     | RedBack-Acct-Output-Packets-6<br>4          | String | 0-253         |
| 132     | RedBack-Assigned-IP-Address                 | String | 0-253         |
| 133     | RedBack-Acct-Mcast-In-Octets                | String | 0-253         |
| 134     | RedBack-Acct-Mcast-Out-Octets               | String | 0-253         |
| 135     | RedBack-Acct-Mcast-In-Packets               | String | 0-253         |
| 136     | RedBack-Acct-Mcast-Out-Packet<br>s          | String | 0-253         |
| 137     | RedBack-LAC-Port                            | String | 0-253         |
| 138     | RedBack-LAC-Real-Port                       | String | 0-253         |
| 139     | RedBack-LAC-Port-Type                       | String | 0-253         |
| 140     | RedBack-LAC-Real-Port-Type                  | String | 0-253         |

## RedCreek VSAs

Table C-17 lists the RedCreek VSAs. The vendor ID for RedCreek VSAs is 1958.

**Table C-17** RedCreek VSAs

| SubAttr | VSA Name                       | Type       | Min-Max Value |
|---------|--------------------------------|------------|---------------|
| 6       | RedCreek-Tunneled-IP-Netmask   | IP Address | 0-253         |
| 7       | RedCreek-Tunneled-Gateway      | IP Address | 0-253         |
| 9       | RedCreek-Tunneled-WINS-Server1 | String     | 0-253         |
| 10      | RedCreek-Tunneled-WINS-Server2 | String     | 0-253         |
| 11      | RedCreek-Tunneled-HostName     | String     | 0-253         |
| 12      | RedCreek-Tunneled-DomainName   | String     | 0-253         |
| 13      | RedCreek-Tunneled-Search-List  | String     | 0-253         |

## TACACS+ VSAs

Table C-18 lists the TACACS+ VSAs. The vendor ID for TACACS+ VSAs is 268435456.

**Table C-18** TACACS+ VSAs

| SubAttr | VSA Name                   | Type                                                                | Min-Max Value    |
|---------|----------------------------|---------------------------------------------------------------------|------------------|
| 1       | Tacacs-Version             | ENUM:<br>192 = 12.0<br>193 = 12.1                                   | 0-255            |
| 2       | Tacacs-Type                | ENUM:<br>1 = Authentication<br>2 = Authorization<br>3 = Accounting  | 1-3              |
| 3       | Tacacs-Sequence-Number     | UINT32                                                              | 0-1              |
| 4       | Tacacs-Session-Id          | UINT32                                                              | 0-2147483<br>647 |
| 5       | Tacacs-Action              | ENUM:<br>1 = Login<br>2 = ChPass<br>3 = SendPass<br>4 = SendAuth    | 0-253            |
| 6       | Tacacs-Privilege-Level     | UINT32                                                              | 0-15             |
| 7       | Tacacs-Authentication-Type | ENUM:<br>1 = ASCII<br>2 = PAP<br>3 = CHAP<br>4 = ARAP<br>5 = MSCHAP | 1-5              |

Table C-18 TACACS+ VSAs (continued)

| SubAttr | VSA Name                            | Type                                                                                                                  | Min-Max Value |
|---------|-------------------------------------|-----------------------------------------------------------------------------------------------------------------------|---------------|
| 8       | Tacacs-Service                      | ENUM:<br>1 = Login<br>2 = Enable<br>3 = PPP<br>4 = ARAP<br>5 = PT<br>6 = RCMD<br>7 = X25<br>8 = NASI<br>9 = FWPROXY   | 1-9           |
| 9       | Tacacs-User-Name                    | String                                                                                                                | 0-253         |
| 10      | Tacacs-Port                         | String                                                                                                                | 0-253         |
| 11      | Tacacs-Remote-Address               | String                                                                                                                | 0-253         |
| 12      | Tacacs-Data                         | String                                                                                                                | 0-253         |
| 13      | Tacacs-User-Message                 | String                                                                                                                | 0-253         |
| 14      | Tacacs-User-Data                    | String                                                                                                                | 0-253         |
| 15      | Tacacs-Authentication-Continue-Flag | ENUM:<br>0 = Continue<br>1 = Abort                                                                                    | 0-1           |
| 16      | Tacacs-Authentication-Reply-Flag    | ENUM:<br>0 = Echo<br>1 = NoEcho                                                                                       | 0-1           |
| 17      | Tacacs-Authentication-Reply-Status  | ENUM:<br>1 = Pass<br>2 = Fail<br>3 = GetData<br>4 = GetUser<br>5 = GetPass<br>6 = Restart<br>7 = Error<br>33 = Follow | 0-33          |
| 18      | Tacacs-Authorization-Reply-Status   | ENUM:<br>1 = PassAdd<br>2 = PassRepl<br>16 = Fail<br>17 = Error<br>33 = Follow                                        | 0-33          |
| 19      | Tacacs-Server-Message               | String                                                                                                                | 0-253         |

Table C-18 TACACS+ VSAs (continued)

| SubAttr | VSA Name                       | Type                                                                                                                                                                                                      | Min-Max Value |
|---------|--------------------------------|-----------------------------------------------------------------------------------------------------------------------------------------------------------------------------------------------------------|---------------|
| 20      | Tacacs-Authentication-Method   | ENUM:<br>0 = NotSet<br>1 = None<br>2 = KRB5<br>3 = Line<br>4 = Enable<br>5 = Local<br>6 = TacacsPlus<br>7 = Guest<br>16 = Radius<br>17 = KRB4<br>32 = RCMD                                                | 0-32          |
| 21      | Tacacs-AVPair                  | String                                                                                                                                                                                                    | 0-253         |
| 22      | Tacacs-Accounting-Reply-Status | ENUM:<br>1 = Success<br>2 = Fail<br>33 = Follow                                                                                                                                                           | 0-33          |
| 12      | Tacacs-Header-Flag             | ENUM:<br>0 = Encrypted<br>1 = Unencrypted<br>4 = Encrypted + ReuseConnection<br>5 = Unencrypted + ReuseConnection                                                                                         | 0-5           |
| 24      | Tacacs-User-Password           | String                                                                                                                                                                                                    | 0-253         |
| 25      | Tacacs-Accounting-Request-Flag | ENUM:<br>1 = More<br>2 = Start<br>3 = Start<br>4 = Stop<br>5 = Stop<br>6 = Start<br>7 = Start<br>8 = Update<br>9 = More<br>10 = Start<br>11 = Start<br>12 = Stop<br>13 = Stop<br>14 = Start<br>15 = Start | 0-33          |
| 26      | Tacacs-CHAP-Password           | CHAP_PASSWORD                                                                                                                                                                                             | 17-17         |
| 27      | Tacacs-CHAP-Challenge          | String                                                                                                                                                                                                    | 0-253         |

**Table C-18 TACACS+ VSAs (continued)**

| SubAttr | VSA Name                | Type   | Min-Max Value |
|---------|-------------------------|--------|---------------|
| 28      | Tacacs-MSCHAP-Response  | String | 50-50         |
| 29      | Tacacs-MSCHAP-Challenge | String | 0-253         |

## Telebit VSAs

Table C-19 lists the Telebit VSAs. The vendor ID for Telebit VSAs is 117.

**Table C-19 Telebit VSAs**

| SubAttr | VSA Name                 | Type   | Min-Max Value |
|---------|--------------------------|--------|---------------|
| 1       | Telebit-Login-Command    | String | 0-253         |
| 2       | Telebit-Port-Name        | String | 0-253         |
| 3       | Telebit-Activate-Command | String | 0-253         |
| 4       | Telebit-Accounting-Info  | String | 0-253         |
| 5       | Telebit-Login-Option     | String | 0-253         |

## Unisphere VSAs

Table C-20 lists the Unisphere VSAs. The vendor ID for RedBack VSAs is 4874.

**Table C-20 Unisphere VSAs**

| SubAttr | VSA Name                        | Type   | Min-Max Value |
|---------|---------------------------------|--------|---------------|
| 1       | Unisphere-Virtual-Router        | String | 0-253         |
| 2       | Unisphere-Local-Address-Pool    | String | 0-253         |
| 3       | Unisphere-Local-Interface       | String | 0-253         |
| 4       | Unisphere-Primary-DNS           | String | 0-253         |
| 5       | Unisphere-Secondary-DNS         | String | 0-253         |
| 6       | Unisphere-Primary-WINS          | String | 0-253         |
| 7       | Unisphere-Secondary-WINS        | String | 0-253         |
| 8       | Unisphere-Tunnel-Virtual-Router | String | 0-253         |
| 9       | Unisphere-Tunnel-Password       | String | 0-253         |
| 10      | Unisphere-Ingress-Policy-Name   | String | 0-253         |
| 11      | Unisphere-Egress-Policy-Name    | String | 0-253         |

**Table C-20 Unisphere VSAs (continued)**

| SubAttr | VSA Name                        | Type   | Min-Max Value |
|---------|---------------------------------|--------|---------------|
| 12      | Unisphere-Ingress-Statistics    | String | 0-253         |
| 13      | Unisphere-Egress-Statistics     | String | 0-253         |
| 14      | Unisphere-Service-Category      | String | 0-253         |
| 15      | Unisphere-PCR                   | String | 0-253         |
| 16      | Unisphere-SCR                   | String | 0-253         |
| 17      | Unisphere-MBS                   | String | 0-253         |
| 18      | Unisphere-Init-CLI-Access-Level | String | 0-253         |
| 19      | Unisphere-Allow-All-VR-Access   | String | 0-253         |
| 20      | Unisphere-Alt-CLI-Access-Level  | String | 0-253         |
| 21      | Unisphere-Alt-CLI-VRouter-Name  | String | 0-253         |
| 22      | Unisphere-SA-Validate           | String | 0-253         |
| 12      | Unisphere-IGMP-enable           | String | 0-253         |
| 24      | Unisphere-PPPoE-Description     | String | 0-253         |
| 25      | Unisphere-Redirect-VRouter-Name | String | 0-253         |

## USR VSAs

[Table C-21](#) lists the USR VSAs. The vendor ID for USR VSAs is 429.



Table C-21 USR VSAs

| SubAttr | VSA Name                  | Type                                                                                                                                                                                                                                                                                                                                                                                                                                     | Min-Max Value |
|---------|---------------------------|------------------------------------------------------------------------------------------------------------------------------------------------------------------------------------------------------------------------------------------------------------------------------------------------------------------------------------------------------------------------------------------------------------------------------------------|---------------|
| 1       | USR-DTE-Data-Idle-Timeout | UINT32                                                                                                                                                                                                                                                                                                                                                                                                                                   | 0-0           |
| 2       | USR-Default-DTE-Data-Rate | ENUM:<br>110_BPS<br>300_BPS<br>600_BPS<br>1200_BPS<br>2400_BPS<br>4800_BPS<br>7200_BPS<br>9600_BPS<br>12K_BPS<br>14.4K_BPS<br>16.8_BPS<br>19.2K_BPS<br>38.4K_BPS<br>75_BPS<br>450_BPS<br>UNKNOWN_BPS<br>57.6K_BPS<br>21.6K_BPS<br>24K_BPS<br>26K_BPS<br>28K_BPS<br>115K_BPS<br>31K_BPS<br>33K_BPS<br>25333_BPS<br>110_BPS<br>300_BPS<br>600_BPS<br>1200_BPS<br>2400_BPS<br>26666_BPS<br>28000_BPS<br>29333_BPS<br>30666_BPS<br>32000_BPS | 1-54          |

Table C-21 USR VSAs (continued)

| SubAttr | VSA Name                      | Type                                                                                                                                                                                                                                                                                                                 | Min-Max Value |
|---------|-------------------------------|----------------------------------------------------------------------------------------------------------------------------------------------------------------------------------------------------------------------------------------------------------------------------------------------------------------------|---------------|
| 2       | USR-Default-DTE-Data-Rate     | 33333_BPS<br>34666_BPS<br>36000_BPS<br>37333_BPS<br>38666_BPS<br>40000_BPS<br>41333_BPS<br>42666_BPS<br>44000_BPS<br>45333_BPS<br>46666_BPS<br>48000_BPS<br>49333_BPS<br>50666_BPS<br>52000_BPS<br>53333_BPS<br>54666_BPS<br>56000_BPS<br>57333_BPS<br>58666_BPS<br>60000_BPS<br>61333_BPS<br>62666_BPS<br>64000_BPS |               |
| 3       | USR-Last-Number-Dialed-Out    | String                                                                                                                                                                                                                                                                                                               | 1-253         |
| 4       | USR-Sync-Async-Mode           | ENUM:<br>Asynchronous<br>Synchronous                                                                                                                                                                                                                                                                                 | 1-2           |
| 5       | USR-Originate-Answer-Mode     | ENUM:<br>Originate_in_Originate_Mode<br>Originate_in_Answer_Mode<br>Answer_in_Originate_Mode<br>Answer_in_Answer_Mode                                                                                                                                                                                                | 1-4           |
| 6       | USR-Failure-to-Connect-Reason | ENUM:                                                                                                                                                                                                                                                                                                                | 1-67          |

Table C-21 USR VSAs (continued)

| SubAttr | VSA Name                      | Type                                                                                                                                                                                                                                                                                                                                                                                                                                                                                                                                                                                                              | Min-Max Value |
|---------|-------------------------------|-------------------------------------------------------------------------------------------------------------------------------------------------------------------------------------------------------------------------------------------------------------------------------------------------------------------------------------------------------------------------------------------------------------------------------------------------------------------------------------------------------------------------------------------------------------------------------------------------------------------|---------------|
| 7       | USR-Initial-Tx-Link-Data-Rate | ENUM:<br>110_BPS<br>14.4K_BPS<br>16.8_BPS<br>19.2K_BPS<br>38.4K_BPS<br>75_BPS<br>450_BPS<br>UNKNOWN_BPS<br>57.6K_BPS<br>21.6K_BPS<br>24K_BPS<br>300_BPS<br>26K_BPS<br>28K_BPS<br>115K_BPS<br>31K_BPS<br>33K_BPS<br>25333_BPS<br>26666_BPS<br>28000_BPS<br>29333_BPS<br>30666_BPS<br>600_BPS<br>32000_BPS<br>33333_BPS<br>34666_BPS<br>36000_BPS<br>37333_BPS<br>38666_BPS<br>40000_BPS<br>41333_BPS<br>42666_BPS<br>44000_BPS<br>1200_BPS<br>45333_BPS<br>46666_BPS<br>48000_BPS<br>49333_BPS<br>50666_BPS<br>52000_BPS<br>53333_BPS<br>54666_BPS<br>56000_BPS<br>57333_BPS<br>2400_BPS<br>58666_BPS<br>60000_BPS | 1-54          |

Table C-21 USR VSAs (continued)

| SubAttr | VSA Name                                     | Type                                                                                                                                                                                                                                                                                        | Min-Max Value |
|---------|----------------------------------------------|---------------------------------------------------------------------------------------------------------------------------------------------------------------------------------------------------------------------------------------------------------------------------------------------|---------------|
| 7       | USR-Initial-Tx-Link-Data-Rate<br>(continued) | 61333_BPS<br>62666_BPS<br>64000_BPS<br>4800_BPS<br>7200_BPS<br>9600_BPS<br>12K_BPS                                                                                                                                                                                                          |               |
| 8       | USR-Final-Tx-Link-Data-Rate                  | ENUM:<br>110_BPS<br>14.4K_BPS<br>16.8_BPS<br>19.2K_BPS<br>38.4K_BPS<br>75_BPS<br>450_BPS<br>UNKNOWN_BPS<br>57.6K_BPS<br>21.6K_BPS<br>24K_BPS<br>300_BPS<br>26K_BPS<br>28K_BPS<br>115K_BPS<br>31K_BPS<br>33K_BPS<br>25333_BPS<br>26666_BPS<br>28000_BPS<br>29333_BPS<br>30666_BPS<br>600_BPS | 1-54          |

Table C-21 USR VSAs (continued)

| SubAttr | VSA Name                    | Type                                                                                                                                                                                                                                  | Min-Max Value |
|---------|-----------------------------|---------------------------------------------------------------------------------------------------------------------------------------------------------------------------------------------------------------------------------------|---------------|
| 8       | USR-Final-Tx-Link-Data-Rate | 32000_BPS<br>33333_BPS<br>34666_BPS<br>36000_BPS<br>37333_BPS<br>38666_BPS<br>40000_BPS<br>41333_BPS<br>42666_BPS<br>44000_BPS<br>1200_BPS<br>45333_BPS<br>46666_BPS<br>48000_BPS<br>49333_BPS<br>50666_BPS<br>52000_BPS<br>53333_BPS | 1-54          |
| 8       | USR-Final-Tx-Link-Data-Rate | 54666_BPS<br>56000_BPS<br>57333_BPS<br>2400_BPS<br>58666_BPS<br>60000_BPS<br>61333_BPS<br>62666_BPS<br>64000_BPS<br>4800_BPS<br>7200_BPS<br>9600_BPS                                                                                  |               |

Table C-21 USR VSAs (continued)

| SubAttr | VSA Name                       | Type                                                                                                                                                                                                                                                                                                                                                                             | Min-Max Value |
|---------|--------------------------------|----------------------------------------------------------------------------------------------------------------------------------------------------------------------------------------------------------------------------------------------------------------------------------------------------------------------------------------------------------------------------------|---------------|
| 9       | USR-Modulation-Type            | ENUM:<br>usRoboticsHST<br>bell208b<br>v21FaxClass1<br>v27FaxClass1<br>v29FaxClass1<br>v17FaxClass1<br>v21FaxClass2<br>v27FaxClass2<br>v29FaxClass2<br>v17FaxClass2<br>v32Terbo<br>ccittV32<br>v34<br>vFC<br>v34plus<br>x2<br>v110<br>v120<br>x75<br>ayncSyncPPP<br>clearChannel<br>ccittV22bis<br>bell103<br>ccittV21<br>bell212<br>ccittV32bis<br>ccittV12<br>negotiationFailed | 1-28          |
| 9       | USR-Modulation-Type            | ENUM:                                                                                                                                                                                                                                                                                                                                                                            |               |
| 10      | USR-Equalization-Type          | ENUM:<br>Long<br>Short                                                                                                                                                                                                                                                                                                                                                           | 1-2           |
| 112     | USR-Characters-Sent            | UINT32                                                                                                                                                                                                                                                                                                                                                                           | 0-0           |
| 13      | USR-Characters-Received        | UINT32                                                                                                                                                                                                                                                                                                                                                                           | 0-0           |
| 14      | USR-Blocks-Sent                | UINT32                                                                                                                                                                                                                                                                                                                                                                           | 0-0           |
| 15      | USR-Blocks-Received 0          | UINT32                                                                                                                                                                                                                                                                                                                                                                           | 0-0           |
| 16      | USR-Blocks-Resent              | UINT32                                                                                                                                                                                                                                                                                                                                                                           | 0-0           |
| 17      | USR-Retrains-Requested         | UINT32                                                                                                                                                                                                                                                                                                                                                                           | 0-0           |
| 18      | USR-Retrains-Granted           | UINT32                                                                                                                                                                                                                                                                                                                                                                           |               |
| 19      | USR-Line-Reversals             | UINT32                                                                                                                                                                                                                                                                                                                                                                           |               |
| 20      | USR-Number-Of-Characters-Lost0 | UINT32                                                                                                                                                                                                                                                                                                                                                                           | 0-0           |

Table C-21 USR VSAs (continued)

| SubAttr | VSA Name                    | Type                                                                                                                                                                             | Min-Max Value |
|---------|-----------------------------|----------------------------------------------------------------------------------------------------------------------------------------------------------------------------------|---------------|
| 21      | USR-Back-Channel-Data-Rate  | ENUM :<br>450BPS<br>300BPS<br>None                                                                                                                                               | 1-3           |
| 22      | USR-Number-of-Blers         | UINT32                                                                                                                                                                           | 0-0           |
| 12      | USR-Number-of-Link-Timeouts | UINT32                                                                                                                                                                           | 0-0           |
| 24      | USR-Number-of-Fallbacks     | UINT32                                                                                                                                                                           | 0-0           |
| 25      | USR-Number-of-Upshifts      | UINT32                                                                                                                                                                           | 0-0           |
| 26      | USR-Number-of-Link-NAKs     | UINT32                                                                                                                                                                           | 0-0           |
| 27      | USR-Simplified-MNP-Levels   | ENUM:<br>Unknown<br>NON_ARQ<br>MNP10ec<br>LAPMAC<br>V42ETC2<br>V42SREJ<br>PIAFS<br>V120<br>X75<br>MNP3<br>MNP4<br>V42<br>HST<br>synchronous<br>MNP2<br>MNP10(Cellular)<br>V42ETC | 0-16          |

Table C-21 USR VSAs (continued)

| SubAttr | VSA Name                | Type                                                                                                                                                                                                                                                                                                                                                                                                                                                                                  | Min-Max Value |
|---------|-------------------------|---------------------------------------------------------------------------------------------------------------------------------------------------------------------------------------------------------------------------------------------------------------------------------------------------------------------------------------------------------------------------------------------------------------------------------------------------------------------------------------|---------------|
| 28      | USR-Connect-Term-Reason | ENUM:<br>dtrDrop<br>retransmitLimit<br>linkDisconnectMsgReceived<br>noLoopCurrent<br>invalidSpeed<br>unableToRetrain<br>managementCommand<br>noDialTone<br>keyAbort<br>lineBusy<br>noAnswer<br>escapeSequence<br>voice<br>noAnswerTone<br>noCarrier<br>undetermined<br>v42SabmeTimeout<br>v42BreakTimeout<br>v42DisconnectCmd<br>v42IdExchangeFail<br>v42BadSetup<br>v42InvalidCodeWord<br>athCommand<br>v42StringToLong<br>v42InvalidCommand<br>none<br>v32Cleardown<br>dialSecurity | 1-67          |



Table C-21 USR VSAs (continued)

| SubAttr | VSA Name                    | Type                                                                                                                                                                                                                                                                                                                                                                                                                                                                                                                                                                                                                                                                                                        | Min-Max Value |
|---------|-----------------------------|-------------------------------------------------------------------------------------------------------------------------------------------------------------------------------------------------------------------------------------------------------------------------------------------------------------------------------------------------------------------------------------------------------------------------------------------------------------------------------------------------------------------------------------------------------------------------------------------------------------------------------------------------------------------------------------------------------------|---------------|
| 28      | USR-Connect-Term-Reason     | remoteAccessDenied<br>loopLoss<br>ds0Teardown<br>promptNotEnabled<br>noPromptingInSync<br>carrierLoss<br>nonArqMode<br>modeIncompatible<br>noPromptInNonARQ<br>dialBackLink<br>linkAbort<br>autopassFailed<br>pbGenericError<br>pbLinkErrTxPreAck<br>pbLinkErrTxTardyACK<br>pbTransmitBusTimeout<br>inactivityTimeout<br>pbReceiveBusTimeout<br>pbLinkErrTxTAL<br>pbLinkErrRxTAL<br>pbTransmitMasterTimeout<br>pbClockMissing<br>pbReceivedLsWhileLinkUp<br>pbOutOfSequenceFrame<br>pbBadFrame<br>pbAckWaitTimeout<br>pbReceivedAckSeqErr<br>mnpIncompatible<br>pbReceiveOvrflwRNRFail<br>pbReceiveMsgBufOvrflw<br>rcvdGatewayDiscCmd<br>tokenPassingTimeout<br>dspInterruptTimeout<br>mnpProtocolViolation |               |
| 28      | USR-Connect-Term-Reason     | class2FaxHangupCmd<br>hstSpeedSwitchTimeout<br>undefined<br>remotePassword<br>linkPassword                                                                                                                                                                                                                                                                                                                                                                                                                                                                                                                                                                                                                  |               |
| 29      | USR-DTR-False-Timeout       | UINT32                                                                                                                                                                                                                                                                                                                                                                                                                                                                                                                                                                                                                                                                                                      | 0-0           |
| 30      | USR-Fallback-Limit          | UINT32                                                                                                                                                                                                                                                                                                                                                                                                                                                                                                                                                                                                                                                                                                      | 0-0           |
| 31      | USR-Block-Error-Count-Limit | UINT32                                                                                                                                                                                                                                                                                                                                                                                                                                                                                                                                                                                                                                                                                                      | 0-0           |
| 32      | USR-Simplified-V42bis-Usage | ENUM:<br>None<br>ccittV42bis<br>mnpLevel5                                                                                                                                                                                                                                                                                                                                                                                                                                                                                                                                                                                                                                                                   | 1-3           |

Table C-21 USR VSAs (continued)

| SubAttr | VSA Name                       | Type                             | Min-Max Value |
|---------|--------------------------------|----------------------------------|---------------|
| 33      | USR-DTR-True-Timeou            | UINT32                           | 0-0           |
| 34      | USR-Last-Number-Dialed-In-DNIS | String                           | 1-253         |
| 35      | USR-Last-Callers-Number-ANI    | String                           | 1-253         |
| 36      | USR-Mbi-Ct-PRI-Card-Slot       | UINT32                           | 0-0           |
| 37      | USR-Mbi-Ct-TDM-Time-Slot       | UINT32                           | 0-0           |
| 38      | USR-Mbi-Ct-PRI-Card-Span-Line  | UINT32                           | 0-0           |
| 39      | USR-Mbi-Ct-BChannel-Used       | UINT32                           | 0-0           |
| 40      | USR-IP-Input-Filter            | String                           | 1-253         |
| 41      | USR-IPX-Input-Filter           | String                           | 1-253         |
| 42      | USR-IP-Output-Filter           | String                           | 1-253         |
| 43      | USR-IPX-Output-Filter          | String                           | 1-253         |
| 44      | USR-SAP-Output-Filter          | String                           | 1-253         |
| 45      | USR-VPN-ID                     | UINT32                           | 0-0           |
| 46      | USR-VPN-Name                   | String                           | 1-253         |
| 47      | USR-VPN-Neighbor               | String                           | 1-253         |
| 48      | USR-Framed-Routing-V2          | ENUM:<br>RIP-V2-Off<br>RIP-V2-On | 1-2           |
| 49      | USR-VPN-Gateway                | String                           | 1-253         |
| 50      | USR-Tunnel-Authenticato        | String                           | 1-253         |
| 51      | USR-Packet-Index               | String                           | 1-253         |
| 52      | USR-Cutoff                     | String                           | 1-253         |
| 53      | USR-Access-Accept-Packet       | String                           | 1-253         |
| 54      | USR-Primary-DNS-Server         | String                           | 1-253         |
| 55      | USR-Secondary-DNS-Server       | String                           | 1-253         |
| 56      | USR-Primary-NBNS-Server        | String                           | 1-253         |
| 57      | USR-Secondary-NBNS-Server      | String                           | 1-253         |
| 58      | USR-Syslog-Tap                 | UINT32                           | 0-0           |
| 59      | USR-Chassis-Call-Slot          | UINT32                           | 0-0           |
| 60      | USR-Chassis-Call-Span          | UINT32                           | 0-0           |
| 61      | -Chassis-Call-Channel          | UINT32                           | 0-0           |
| 62      | USR-Keypress-Timeout           | UINT32                           | 0-0           |
| 63      | USR-Unauthenticated-Time       | UINT32                           | 0-0           |
| 64      | USR-Bearer-Capabilities        | UINT32                           | 0-0           |

Table C-21 USR VSAs (continued)

| SubAttr | VSA Name                              | Type   | Min-Max Value |
|---------|---------------------------------------|--------|---------------|
| 65      | USR-Speed-Of-Connection               | UINT32 | 0-0           |
| 66      | USR-Max-Channels                      | UINT32 | 0-0           |
| 67      | USR-Channel-Expansion                 | UINT32 | 0-0           |
| 68      | USR-Channel-Decrement                 | UINT32 | 0-0           |
| 69      | USR-Expansion-Algorithm               | UINT32 | 0-0           |
| 70      | USR-Compression-Algorithm             | UINT32 | 0-0           |
| 71      | USR-Receive-Acc-Map                   | UINT32 | 0-0           |
| 72      | USR-Transmit-Acc-Map                  | UINT32 | 0-0           |
| 73      | USR-Compression-Reset-Mode            | UINT32 | 0-0           |
| 74      | USR-Min-Compression-Size              | UINT32 | 0-0           |
| 75      | USR-IP                                | UINT32 | 0-0           |
| 76      | USR-IPX                               | UINT32 | 0-0           |
| 77      | USR-Filter-Zones                      | UINT32 | 0-0           |
| 78      | USR-Appletalk                         | UINT32 | 0-0           |
| 79      | USR-Bridging                          | UINT32 | 0-0           |
| 80      | USR-Spoofing                          | UINT32 | 0-0           |
| 81      | USR-Host-Type                         | String | 1-253         |
| 82      | USR-Send-Name                         | UINT32 | 0-0           |
| 83      | USR-Send-Password                     | String | 1-253         |
| 84      | USR-Start-Time                        | UINT32 | 0-0           |
| 85      | USR-End-Time                          | UINT32 | 0-0           |
| 86      | USR-Send-Script1                      | String | 1-253         |
| 87      | USR-Reply-Script1                     | String | 1-253         |
| 88      | USR-Send-Script2                      | String | 1-253         |
| 89      | USR-Reply-Script2                     | String | 1-253         |
| 90      | USR-Send-Script3                      | String | 1-253         |
| 91      | USR-Send-Script3<br>USR-Reply-Script3 | String | 1-253         |
| 92      | USR-Send-Script4                      | String | 1-253         |
| 93      | USR-Reply-Script4                     | String | 1-253         |
| 94      | USR-Send-Script5                      | String | 1-253         |
| 95      | USR-Reply-Script5                     | String | 1-253         |
| 96      | USR-Send-Script6                      | String | 1-253         |
| 97      | USR-Reply-Script6                     | String | 1-253         |
| 98      | USR-Terminal-Type                     | String | 1-253         |

Table C-21 USR VSAs (continued)

| SubAttr | VSA Name                        | Type                                      | Min-Max Value |
|---------|---------------------------------|-------------------------------------------|---------------|
| 99      | USR-Appletalk-Network-Range     | UINT32                                    | 0-0           |
| 100     | USR-Local-IP-Address            | String                                    | 1-253         |
| 101     | USR-Routing-Protocol            | UINT32                                    | 0-0           |
| 102     | USR-Modem-Group                 | UINT32                                    | 0-0           |
| 103     | USR-IPX-Routing                 | UINT32                                    | 0-0           |
| 104     | USR-IPX-Wan                     | UINT32                                    | 0-0           |
| 105     | USR-IP-RIP-Policies             | UINT32                                    | 0-0           |
| 106     | USR-IP-RIP-Simple-Auth-Password | String                                    | 0-253         |
| 107     | USR-IDS0-Call-Type              | UINT32                                    | 0-0           |
| 108     | USR-Call-Terminate-in-GMT       | UINT32                                    | 0-0           |
| 109     | USR-Call-Connect-in-GMT         | UINT32                                    | 0-0           |
| 110     | USR-Call-Arrival-in-GMT         | UINT32                                    | 0-0           |
| 111     | USR-Channel-Connected-To        | UINT32                                    | 0-0           |
| 112     | USR-Slot-Connected-To           | UINT32                                    | 0-0           |
| 113     | USR-Device-Connected-To         | ENUM:<br>None<br>isdnGateway<br>quadModem | 1-3           |
| 114     | USR-NFAS-ID                     | UINT32                                    | 0-0           |
| 115     | USR-Q931-Call-Reference-Value   | UINT32                                    | 0-0           |

Table C-21 USR VSAs (continued)

| SubAttr | VSA Name                   | Type                                                                                                                                                                                                                                                                                                                                                                                                                                                                   | Min-Max Value |
|---------|----------------------------|------------------------------------------------------------------------------------------------------------------------------------------------------------------------------------------------------------------------------------------------------------------------------------------------------------------------------------------------------------------------------------------------------------------------------------------------------------------------|---------------|
| 116     | USR-Call-Event-Code        | ENUM:<br>notSupported<br>noFreeIGW<br>igwRejectCall<br>igwSetupTimeout<br>noFreeTdmts<br>bcReject<br>ieReject<br>chidReject<br>progReject<br>callingPartyReject<br>calledPartyReject<br>setup<br>blocked<br>analogBlocked<br>digitalBlocked<br>outOfService<br>busy<br>congestion<br>protocolError<br>noFreeBchannel<br>inOutCallCollision<br>usrSetup<br>telcoDisconnect<br>usrDisconnect<br>noFreeModem<br>modemsNotAllowed<br>modemsRejectCall<br>modemSetupTimeout | 1-28          |
| 117     | USR-DS0                    | UINT32                                                                                                                                                                                                                                                                                                                                                                                                                                                                 | 0-0           |
| 118     | USR-DS0s                   | String                                                                                                                                                                                                                                                                                                                                                                                                                                                                 | 1-253         |
| 119     | USR-Gateway-IP-Address     | IP Address                                                                                                                                                                                                                                                                                                                                                                                                                                                             | 0-0           |
| 120     | USR-Physical-State         | UINT32                                                                                                                                                                                                                                                                                                                                                                                                                                                                 | 0-0           |
| 121     | USR-Chassis-Temp-Threshold | UINT32                                                                                                                                                                                                                                                                                                                                                                                                                                                                 | 0-0           |

Table C-21 USR VSAs (continued)

| SubAttr | VSA Name                  | Type                                                                                                                                                                                                                                                                                                                                                                                                                                                                                                                                                                                                                        | Min-Max Value |
|---------|---------------------------|-----------------------------------------------------------------------------------------------------------------------------------------------------------------------------------------------------------------------------------------------------------------------------------------------------------------------------------------------------------------------------------------------------------------------------------------------------------------------------------------------------------------------------------------------------------------------------------------------------------------------------|---------------|
| 122     | USR-Card-Type             | ENUM:<br>SlotEmpty<br>QuadV32DigitalModemNAC<br>DualT1NIC<br>DualAlogMdmNIC<br>QuadDgtlMdmNIC<br>QuadAlogDgtlMdmNIC<br>TokenRingNIC<br>SingleT1NIC<br>EthernetNIC<br>ShortHaulDualT1NIC<br>DualAlogMgdIntlMdmNIC<br>X25NIC                                                                                                                                                                                                                                                                                                                                                                                                  |               |
| 122     | USR-Card-Type (continued) | ENUM:<br>QuadAlogNonMgdMdmNIC<br>QuadAlogMgdIntlMdmNIC<br>QuadAlogNonMgdIntlMdmNIC<br>QuadLsdLiMgdMdmNIC<br>QuadLsdLiNonMgdMdmNIC<br>QuadLsdLiMgdIntlMdmNIC<br>QuadLsdLiNonMgdIntlMdmNIC<br>EthernetWithV35NIC<br>HSEthernetWithoutV35NIC<br>DualHighSpeedV35NIC<br>QuadV35RS122LowSpeedNIC<br>DualE1NIC<br>ShortHaulDualE1NIC<br>BellcoreLongHaulDualT1NIC<br>BellcoreShrtHaulDualT1NIC<br>SCSIEdgeServerNIC<br>QuadV32AnalogModemNAC<br>QuadV32DigAnlModemNAC<br>QuadV34DigModemNAC<br>QuadV34AnlModemNAC<br>QuadV34DigAnlModemNAC<br>SingleT1NAC<br>EthernetGatewayNAC<br>AccessServer<br>486TrGatewayNAC<br>SlotUnknown |               |

Table C-21 USR VSAs (continued)

| SubAttr | VSA Name                     | Type                                                                                                                                                                                                                                                                                                                                                                       | Min-Max Value |
|---------|------------------------------|----------------------------------------------------------------------------------------------------------------------------------------------------------------------------------------------------------------------------------------------------------------------------------------------------------------------------------------------------------------------------|---------------|
| 122     | USR-Card-Type (continued)    | ENUM:<br>486EthernetGatewayNAC<br>DualRS122NAC<br>486X25GatewayNAC<br>ApplicationServerNAC<br>ISDNGatewayNAC<br>ISDNpriT1NAC<br>ClkedNetMgtCard<br>ModemPoolManagementNAC<br>NetwMgtCard<br>ModemPoolNetserverNAC<br>(continued)                                                                                                                                           | 1-1027        |
| 122     | USR-Card-Type (continued)    | ModemPoolV34ModemNAC<br>ModemPoolISDNNAC<br>NTServerNAC<br>QuadV34DigitalG2NAC<br>QuadV34AnalogG2NAC<br>QuadV34DigAnlgG2NAC<br>NETServerFrameRelayNAC<br>NETServerTokenRingNAC<br>X2524ChannelNAC<br>DualT1NAC<br>WirelessGatewayNac<br>EnhancedAccessServer<br>EnhancedISDNGatewayNAC<br>DualModemNAC<br>QuadModemNAC<br>TrGatewayNAC<br>X25GatewayNAC<br>DualV34ModemNAC |               |
| 112     | USR-Security-Login-Limit     | UINT32                                                                                                                                                                                                                                                                                                                                                                     | 0-0           |
| 124     | USR-Security-Resp-Limit      | UINT32                                                                                                                                                                                                                                                                                                                                                                     | 0-0           |
| 125     | USR-Packet-Bus-Session       | UINT32                                                                                                                                                                                                                                                                                                                                                                     | 0-0           |
| 126     | USR-DTE-Ring-No-Answer-Limit | UINT32                                                                                                                                                                                                                                                                                                                                                                     | 0-0           |

Table C-21 USR VSAs (continued)

| SubAttr | VSA Name                    | Type                                                                                                                                                                                                                                                                                                                  | Min-Max Value |
|---------|-----------------------------|-----------------------------------------------------------------------------------------------------------------------------------------------------------------------------------------------------------------------------------------------------------------------------------------------------------------------|---------------|
| 127     | USR-Final-Rx-Link-Data-Rate | ENUM:<br>110_BPS<br>14.4K_BPS<br>16.8_BPS<br>19.2K_BPS<br>38.4K_BPS<br>75_BPS<br>450_BPS<br>UNKNOWN_BPS<br>57.6K_BPS<br>21.6K_BPS<br>24K_BPS<br>300_BPS<br>6K_BPS<br>28K_BPS<br>115K_BPS<br>31K_BPS<br>33K_BPS<br>25333_BPS<br>26666_BPS<br>28000_BPS<br>62666_BPS<br>9333_BPS<br>30666_BPS<br>600_BPS<br>(continued) | 1-54          |



Table C-21 USR VSAs (continued)

| SubAttr | VSA Name                                   | Type                                                                                                                                                                                                                                                                                                                                                                                       | Min-Max Value |
|---------|--------------------------------------------|--------------------------------------------------------------------------------------------------------------------------------------------------------------------------------------------------------------------------------------------------------------------------------------------------------------------------------------------------------------------------------------------|---------------|
| 127     | USR-Final-Rx-Link-Data-Rate<br>(continued) | 32000_BPS<br>33333_BPS<br>34666_BPS<br>36000_BPS<br>37333_BPS<br>38666_BPS<br>40000_BPS<br>41333_BPS<br>42666_BPS<br>44000_BPS<br>1200_BPS<br>45333_BPS<br>46666_BPS<br>48000_BPS<br>49333_BPS<br>50666_BPS<br>52000_BPS<br>53333_BPS<br>54666_BPS<br>56000_BPS<br>57333_BPS<br>2400_BPS<br>58666_BPS<br>60000_BPS<br>61333_BPS<br>64000_BPS<br>800_BPS<br>7200_BPS<br>9600_BPS<br>12K_BPS |               |

Table C-21 USR VSAs (continued)

| SubAttr | VSA Name                      | Type                                                                                                                                                                                                                                                                                    | Min-Max Value |
|---------|-------------------------------|-----------------------------------------------------------------------------------------------------------------------------------------------------------------------------------------------------------------------------------------------------------------------------------------|---------------|
| 128     | USR-Initial-Rx-Link-Data-Rate | ENUM:<br>110_BPS<br>14.4K_BPS<br>16.8_BPS<br>19.2K_BPS<br>38.4K_BPS<br>75_BPS<br>450_BPS<br>UNKNOWN_BPS<br>57.6K_BPS<br>21.6K_BPS<br>24K_BPS<br>300_BPS<br>26K_BPS<br>28K_BPS<br>115K_BPS<br>31K_BPS<br>33K_BPS<br>25333_BPS<br>26666_BPS                                               | 1-54          |
| 128     | USR-Initial-Rx-Link-Data-Rate | 28000_BPS<br>29333_BPS<br>30666_BPS<br>600_BPS<br>32000_BPS<br>33333_BPS<br>34666_BPS<br>36000_BPS<br>37333_BPS<br>38666_BPS<br>40000_BPS<br>41333_BPS<br>42666_BPS<br>44000_BPS<br>1200_BPS<br>45333_BPS<br>46666_BPS<br>48000_BPS<br>49333_BPS<br>50666_BPS<br>52000_BPS<br>53333_BPS |               |

Table C-21 USR VSAs (continued)

| SubAttr | VSA Name                      | Type                                                                                                                                                             | Min-Max Value |
|---------|-------------------------------|------------------------------------------------------------------------------------------------------------------------------------------------------------------|---------------|
| 128     | USR-Initial-Rx-Link-Data-Rate | 54666_BPS<br>56000_BPS<br>57333_BPS<br>2400_XBPS<br>58666_BPS<br>60000_BPS<br>61333_BPS<br>62666_BPS<br>64000_BPS<br>4800_BPS<br>7200_BPS<br>9600_BPS<br>12K_BPS |               |
| 129     | USR-Event-Date-Time           | UINT32                                                                                                                                                           | 0-0           |
| 130     | USR-Chassis-Temperature       | UINT32                                                                                                                                                           | 0-0           |
| 131     | USR-Actual-Voltage            | UINT32                                                                                                                                                           | 0-0           |
| 132     | USR-Expected-Voltage          | UINT32                                                                                                                                                           | 0-0           |
| 133     | USR-Power-Supply-Number       | UINT32                                                                                                                                                           | 0-0           |
| 134     | USR-Channel                   | UINT32                                                                                                                                                           | 0-0           |
| 135     | USR-Chassis-Slot              | UINT32                                                                                                                                                           | 0-0           |

Table C-21 USR VSAs (continued)

| SubAttr | VSA Name     | Type                                                                                                                                                                                                                                                                                                                                                                                                                                                                                                                                                                                                                                                                                                                                                                                                                                                                                                                                                                                                                                                                                                             | Min-Max Value |
|---------|--------------|------------------------------------------------------------------------------------------------------------------------------------------------------------------------------------------------------------------------------------------------------------------------------------------------------------------------------------------------------------------------------------------------------------------------------------------------------------------------------------------------------------------------------------------------------------------------------------------------------------------------------------------------------------------------------------------------------------------------------------------------------------------------------------------------------------------------------------------------------------------------------------------------------------------------------------------------------------------------------------------------------------------------------------------------------------------------------------------------------------------|---------------|
| 136     | USR-Event-Id | ENUM:<br>HUB_Temp_Out_of_Range<br>Fan_Failed<br>Watchdog_Timeout<br>Mgmt_Bus_Failure<br>In_Connection_Est<br>Out_Connection_Est<br>In_Connection_Term<br>Out_Connection_Term<br>Connection_Failed<br>Connection_Timeout<br>DTE_Transmit_Idle<br>DTR_True<br>DTR_False<br>Block_Error_at_Threshold<br>Fallbacks_at_Threshold<br>No_Dial_Tone_Detected<br>No_Loop_Current_Detected<br>Yellow_Alarm<br>Red_Alarm<br>Loss_Of_Signal<br>Rcv_Alrm_Ind_Signal<br>Timing_Source_Switch<br>Modem_Reset_by_DTE<br>Modem_Ring_No_Answer<br>DTE_Ring_No_Answer<br>Pkt_Bus_Session_Active<br>Pkt_Bus_Session_Congestion<br>Pkt_Bus_Session_Lost<br>Pkt_Bus_Session_Inactive<br>User_Interface_Reset<br>Gateway_Port_Out_of_Service<br>Gateway_Port_Link_Active<br>Dial_Out_Login_Failure<br>Dial_In_Login_Failure<br>Dial_Out_Restricted_Number<br>Dial_Back_Restricted_Number<br>User_Blacklisted<br>Attempted_Login_Blacklisted<br>Response_Attempt_Limit_Exceeded<br>Login_Attempt_Limit_Exceeded<br>Dial_Out_Call_Duration<br>Dial_In_Call_Duration<br>Pkt_Bus_Session_Err_Status<br>NMC_AutoResponse_Trap<br>(Continued) |               |

Table C-21 USR VSAs (continued)

| SubAttr | VSA Name                          | Type                                                                                                                                                                                                                                                                                                                                                                                                                                                                                                                                                                                                                                                                                                                                                                                                                                     | Min-Max Value |
|---------|-----------------------------------|------------------------------------------------------------------------------------------------------------------------------------------------------------------------------------------------------------------------------------------------------------------------------------------------------------------------------------------------------------------------------------------------------------------------------------------------------------------------------------------------------------------------------------------------------------------------------------------------------------------------------------------------------------------------------------------------------------------------------------------------------------------------------------------------------------------------------------------|---------------|
| 136     | USR-Event-Id ( <i>Continued</i> ) | Acct_Server_Contact_Loss<br>Yellow_Alarm_Clear<br>Red_Alarm_Clear<br>Loss_Of_Signal_Clear<br>Rcv_Alrm_Ind_Signal_Clear<br>Incoming_Connection_Establish<br>Module_Inserted<br>Outgoing_Connection_Establish<br>Incoming_Connection_Terminate<br>Outgoing_Connection_Terminate<br>Connection_Attempt_Failure<br>Continuous_CRC_Alarm<br>Continuous_CRC_Alarm_Clear<br>Physical_State_Change<br>Module_Removed<br>Gateway_Network_Failed<br>Gateway_Network_Restored<br>Packet_Bus_Clock_Lost<br>Packet_Bus_Clock_Restored<br>D_Channel_In_Service<br>D_Channel_Out_of_Service<br>DS0s_In_Service<br>DS0s_Out_of_Service<br>T1/T1PRI/E1PRI_Call_Event<br>PSU_Voltage_Alarm<br>Psu_Incompatible<br>T1,T1-E1/PRI-Call-Arrive-Event<br>T1,T1-E1/PRI-Call-Connect-Event<br>T1,T1-E1/PRI-Call-Terminate-Event<br>T1,T1-E1/PRI-Call-Failed-Event | 6-84          |
| 137     | USR-Number-of-Rings-Limit         | UINT32                                                                                                                                                                                                                                                                                                                                                                                                                                                                                                                                                                                                                                                                                                                                                                                                                                   | 0-0           |
| 138     | USR-Connect-Time-Limit            | UINT32                                                                                                                                                                                                                                                                                                                                                                                                                                                                                                                                                                                                                                                                                                                                                                                                                                   | 0-0           |
| 139     | USR-Call-End-Date-Time            | UINT32                                                                                                                                                                                                                                                                                                                                                                                                                                                                                                                                                                                                                                                                                                                                                                                                                                   | 0-0           |
| 140     | USR-Call-Start-Date-Time          | UINT32                                                                                                                                                                                                                                                                                                                                                                                                                                                                                                                                                                                                                                                                                                                                                                                                                                   | 0-0           |
| 141     | USR-Server-Time                   | UINT32                                                                                                                                                                                                                                                                                                                                                                                                                                                                                                                                                                                                                                                                                                                                                                                                                                   | 0-0           |

Table C-21 USR VSAs (continued)

| SubAttr | VSA Name                         | Type                                                                                                                                                                                                                                                | Min-Max Value |
|---------|----------------------------------|-----------------------------------------------------------------------------------------------------------------------------------------------------------------------------------------------------------------------------------------------------|---------------|
| 142     | USR-Request-Type                 | ENUM:<br>Access-Request<br>Access-Challenge<br>Status-Server<br>Status-Client<br>Access-Accept<br>Reserved<br>Access-Reject<br>Accounting-Request<br>Accounting-Response<br>Access-Password-Change<br>Access-Password-Ack<br>Access-Password-Reject | 1-255         |
| 143     | USR-Old-Password                 | String                                                                                                                                                                                                                                              | 0-253         |
| 144     | USR-Expiration                   | UINT32                                                                                                                                                                                                                                              | 0-0           |
| 145     | USR-Prompt                       | UINT32                                                                                                                                                                                                                                              | 0-1           |
| 146     | USR-Char-Noecho                  | UINT32                                                                                                                                                                                                                                              | 0-0           |
| 147     | USR-User-Group-Name              | String                                                                                                                                                                                                                                              | 0-253         |
| 148     | 148<br>USR-Call-Reference-Number | UINT32                                                                                                                                                                                                                                              | 0-253         |
| 149     | USR-Dial-In-Sec-Mode             | UNIT32                                                                                                                                                                                                                                              | 0-0           |
| 150     | USR-Req-Db-Mdm-Sel               | UINT32                                                                                                                                                                                                                                              | 0-0           |
| 151     | USR-Req-Db-Login-Valid           | UINT32                                                                                                                                                                                                                                              | 0-0           |
| 152     | USR-Dialback-Group-Names         | String                                                                                                                                                                                                                                              | 0-253         |
| 153     | USR-Dial-In-Call-Rest            | String                                                                                                                                                                                                                                              | 0-253         |
| 154     | USR-Dial-Out-Call-Rest           | String                                                                                                                                                                                                                                              | 0-253         |
| 155     | USR-Logins-Before-Blacklist      | UINT32                                                                                                                                                                                                                                              | 0-0           |
| 156     | USR-Failed-Logins                | UINT32                                                                                                                                                                                                                                              | 0-0           |
| 157     | USR-Allowed-DB-Modems            | String                                                                                                                                                                                                                                              | 0-253         |
| 158     | USR-VPN-Encrypter                | String                                                                                                                                                                                                                                              | 0-253         |
| 159     | USR-Acct-VPN-Gateway             | String                                                                                                                                                                                                                                              | 0-253         |
| 160     | USR-Re-CHAP-Timeout              | UINT32                                                                                                                                                                                                                                              | 0-0           |
| 161     | USR-RMMIE-Manufacture-ID         | String                                                                                                                                                                                                                                              | 0-253         |
| 162     | USR-RMMIE-Product-Code           | String                                                                                                                                                                                                                                              | 0-253         |
| 163     | USR-RMMIE-Serial-Number          | String                                                                                                                                                                                                                                              | 0-253         |
| 164     | USR-RMMIE-Firmware-Version       | String                                                                                                                                                                                                                                              | 0-253         |
| 165     | USR-RMMIE-Firmware-Build-Date    | String                                                                                                                                                                                                                                              | 0-253         |

Table C-21 USR VSAs (continued)

| SubAttr | VSA Name                        | Type                                                                          | Min-Max Value |
|---------|---------------------------------|-------------------------------------------------------------------------------|---------------|
| 166     | USR-RMMIE-Status                | ENUM:<br>notEnabledInLocalModem<br>notDetectedInRemoteModem<br>ok             | 1-3           |
| 170     | USR-RMMIE-Last-Update-Time      | UINT32                                                                        | 0-253         |
| 171     | USR-RMMIE-Last-Update-Event     | ENUM:<br>None<br>initialConnection<br>retrain speedShift<br>plannedDisconnect | 1-5           |
| 172     | USR-RMMIE-Rcv-Tot-PwrLvl        | UNIT32                                                                        | 0-253         |
| 173     | USR-RMMIE-Rcv-PwrLvl-3300Hz     | UNIT32                                                                        | 0-253         |
| 174     | USR-RMMIE-Rcv-PwrLvl-3750Hz     | UNIT32                                                                        | 0-253         |
| 175     | USR-RMMIE-PwrLvl-NearEcho-Canc  | UNIT32                                                                        | 0-253         |
| 176     | USR-RMMIE-PwrLvl-FarEcho-Canc   | UNIT32                                                                        | 0-253         |
| 177     | USR-RMMIE-PwrLvl-Noise-Lvl      | UNIT32                                                                        | 0-253         |
| 178     | USR-RMMIE-PwrLvl-Xmit-Lvl       | UNIT32                                                                        | 0-253         |
| 179     | USR-IPX-SAP                     | String                                                                        | 0-253         |
| 180     | USR-MIC                         | UNIT32                                                                        | 0-253         |
| 181     | USR-Call-Tracking-ID            | UNIT32                                                                        | 0-253         |
| 182     | USR-Log-Filter-Packet           | UNIT32                                                                        | 0-253         |
| 183     | USR-CCP-Algorithm               | UNIT32                                                                        | 0-253         |
| 184     | USR-ACCM-Type                   | UNIT32                                                                        | 0-253         |
| 185     | USR-Connect-Speed               | UNIT32                                                                        | 0-253         |
| 186     | USR-Framed-IP-Address-Pool-Name | UNIT32                                                                        | 0-253         |
| 187     | USR-MP-EDO                      | String                                                                        | 0-253         |
| 188     | USR-Local-Framed-IP-Addr        | UNIT32                                                                        | 0-253         |
| 189     | USR-IP-RIP-Input-Filter         | String                                                                        | 0-253         |
| 190     | USR-IP-Call-Input-Filter        | String                                                                        | 0-253         |
| 191     | USR-IPX-Call-Input-Filter       | String                                                                        | 0-253         |
| 192     | USR-AT-Input-Filter             | String                                                                        | 0-253         |

Table C-21 USR VSAs (continued)

| SubAttr | VSA Name                         | Type   | Min-Max Value |
|---------|----------------------------------|--------|---------------|
| 193     | USR-AT-RTMP-Input-Filter         | String | 0-253         |
| 194     | USR-AT-Zip-Input-Filter          | String | 0-253         |
| 195     | USR-AT-Call-Input-Filter         | String | 0-253         |
| 196     | USR-ET-Bridge-Input-Filter       | String | 0-253         |
| 197     | USR-IP-RIP-Output-Filter         | String | 0-253         |
| 198     | USR-IP-Call-Output-Filter        | String | 0-253         |
| 199     | USR-IPX-RIP-Output-Filter        | String | 0-253         |
| 200     | USR-IPX-Call-Output-Filter       | String | 0-253         |
| 201     | USR-AT-Output-Filter             | String | 0-253         |
| 202     | USR-ET-RTMP-Output-Filter        | String | 0-253         |
| 203     | USR-AT-Zip-Output-Filter         | String | 0-253         |
| 204     | USR-AT-Call-Output-Filter        | String | 0-253         |
| 205     | USR-ET-Bridge-Output-Filter      | String | 0-253         |
| 206     | USR-ET-Bridge-Call-Output-Filter | String | 0-253         |
| 207     | USR-IP-Default-Route-Option      | UINT32 | 0-253         |
| 208     | USR-MP-EDO-HIPER                 | String | 0-253         |
| 209     | USR-MP-MRRU                      | UINT32 | 0-253         |



## WiMax

Table C-22 lists the WiMax VSAs. The vendor ID for WiMax VSAs is 24757.

**Table C-22** WiMax VSAs

| SubAttr | VSA Name             | Type      | Min-Max Value |
|---------|----------------------|-----------|---------------|
| 1       | HA-IP-MIP4           | IPAddress | 0-253         |
| 2       | HA-IP-MIP6           | IPAddress | 0-253         |
| 3       | GMT-Time-Zone-Offset | String    | 0-253         |
| 4       | NAP-ID               | String    | 0-253         |
| 5       | NSP-ID               | String    | 0-253         |
| 6       | Hotline-Indicator    | String    | 0-253         |
| 7       | BS-ID                | String    | 0-253         |

## WISPr

Table C-23 lists the WISPr VSAs. The vendor ID for WISPr VSAs is 14122.

**Table C-23** WISPr VSAs

| SubAttr | VSA Name                           | Type   | Min-Max Value |
|---------|------------------------------------|--------|---------------|
| 1       | WISPr-Location-ID                  | String | 0-65535       |
| 2       | WISPr-Location-Name                | String | 0-253         |
| 3       | WISPr-Logoff-URL                   | String | 0-253         |
| 4       | WISPr-Redirection-URL              | String | 0-253         |
| 5       | WISPr-Bandwidth-Min-Up             | UINT32 | 0-65535       |
| 6       | WISPr-Bandwidth-Min-Down           | UINT32 | 0-65535       |
| 7       | WISPr-Bandwidth-Max-Up             | UINT32 | 0-65535       |
| 8       | WISPr-Bandwidth-Max-Down           | UINT32 | 0-65535       |
| 9       | WISPr-Session-Terminate-Time       | UINT32 | 0-65535       |
| 10      | WISPr-Session-Terminate-End-Of-Day | UINT32 | 0-65535       |
| 11      | WISPr-Billing-Class-Of-Service     | String | 0-253         |

## XML

Table C-24 lists the XML VSAs, attributes for XML tags. The vendor ID for XML VSAs is 5842.

**Table C-24 XML VSAs**

| SubAttr | VSA Name                         | Type   | Min-Max Value |
|---------|----------------------------------|--------|---------------|
| 1       | XML-Address-format-IPv4          | IPADDR | 0-253         |
| 2       | XML-Association                  | String | 0-253         |
| 3       | XML-Request                      | String | 0-253         |
| 4       | XML-Response                     | String | 0-253         |
| 5       | XML-UserId-id_type-subscriber_id | String | 0-253         |
| 6       | XML-UserIdRequest                | String | 0-253         |



# Support for REST API in Cisco Prime Access Registrar

This appendix provides information about the REpresentational State Transfer (REST) APIs supported in Cisco Prime Access Registrar. The purpose of this appendix is to provide a developer, system or network administrator, or system integrator with basic guidelines for using the outlined REST APIs within the Prime Access Registrar deployment.

## REST API Framework

REST is a resource-based architectural style to create web services. A resource is an object, which could be a user, address, and so on. Each resource is identified by a Unique Resource Identifier (URI) and is manipulated by representations that pass back and forth between client and server. Representations can be in the form of XML, JSON, Plain, TEXT, or HTML. However, Prime Access Registrar supports only the JSON format.

[Table D-1](#) lists the common operations supported in Prime Access Registrar for REST APIs.

**Table D-1** Common Operations Used in REST APIs

| Method | Crud Operation                                   |
|--------|--------------------------------------------------|
| ADD    | Create a resource                                |
| GET    | Read and retrieve a representation of a resource |
| EDIT   | Update an existing representation                |
| DELETE | Delete a resource                                |

## REST API Services

You can use any client for creating the APIs and must pass the following information as inputs for the APIs:

- Content-Type—application/json
- username—username to access the service
- password—password to access the service

[Table D-1](#) lists the REST APIs used in Prime Access Registrar.

Table D-2 REST API Services

| Object -> Type ID    | ADD                                                                                                                                                                                            | EDIT                                                                                                              | GET                                                                                                              | DELETE                                                                                                              |
|----------------------|------------------------------------------------------------------------------------------------------------------------------------------------------------------------------------------------|-------------------------------------------------------------------------------------------------------------------|------------------------------------------------------------------------------------------------------------------|---------------------------------------------------------------------------------------------------------------------|
| Script -> 1          | <p><code>http://&lt;hostname&gt;:8080/RESTAPI/service/addobject</code></p> <p>Pass the object and the object name as data.</p> <p>Example:</p> <pre>{ "Script": { "Name": "test", .. } }</pre> | <p><code>http://&lt;hostname&gt;:8080/RESTAPI/service/editobject?typeid=1&amp;name=&lt;object name&gt;</code></p> | <p><code>http://&lt;hostname&gt;:8080/RESTAPI/service/getobject?typeid=1&amp;name=&lt;object name&gt;</code></p> | <p><code>http://&lt;hostname&gt;:8080/RESTAPI/service/deleteobject?typeid=1&amp;name=&lt;object name&gt;</code></p> |
| Client -> 2          | <p><code>http://&lt;hostname&gt;:8080/RESTAPI/service/addobject</code></p> <p>Pass the object and the object name as data.</p>                                                                 | <p><code>http://&lt;hostname&gt;:8080/RESTAPI/service/editobject?typeid=2&amp;name=&lt;object name&gt;</code></p> | <p><code>http://&lt;hostname&gt;:8080/RESTAPI/service/getobject?typeid=2&amp;name=&lt;object name&gt;</code></p> | <p><code>http://&lt;hostname&gt;:8080/RESTAPI/service/deleteobject?typeid=2&amp;name=&lt;object name&gt;</code></p> |
| Service -> 3         | <p><code>http://&lt;hostname&gt;:8080/RESTAPI/service/addobject</code></p> <p>Pass the object and the object name as data.</p>                                                                 | <p><code>http://&lt;hostname&gt;:8080/RESTAPI/service/editobject?typeid=3&amp;name=&lt;object name&gt;</code></p> | <p><code>http://&lt;hostname&gt;:8080/RESTAPI/service/getobject?typeid=3&amp;name=&lt;object name&gt;</code></p> | <p><code>http://&lt;hostname&gt;:8080/RESTAPI/service/deleteobject?typeid=3&amp;name=&lt;object name&gt;</code></p> |
| Policy -> 4          | <p><code>http://&lt;hostname&gt;:8080/RESTAPI/service/addobject</code></p> <p>Pass the object and the object name as data.</p>                                                                 | <p><code>http://&lt;hostname&gt;:8080/RESTAPI/service/editobject?typeid=4&amp;name=&lt;object name&gt;</code></p> | <p><code>http://&lt;hostname&gt;:8080/RESTAPI/service/getobject?typeid=4&amp;name=&lt;object name&gt;</code></p> | <p><code>http://&lt;hostname&gt;:8080/RESTAPI/service/deleteobject?typeid=4&amp;name=&lt;object name&gt;</code></p> |
| ResourceManager -> 5 | <p><code>http://&lt;hostname&gt;:8080/RESTAPI/service/addobject</code></p> <p>Pass the object and the object name as data.</p>                                                                 | <p><code>http://&lt;hostname&gt;:8080/RESTAPI/service/editobject?typeid=5&amp;name=&lt;object name&gt;</code></p> | <p><code>http://&lt;hostname&gt;:8080/RESTAPI/service/getobject?typeid=5&amp;name=&lt;object name&gt;</code></p> | <p><code>http://&lt;hostname&gt;:8080/RESTAPI/service/deleteobject?typeid=5&amp;name=&lt;object name&gt;</code></p> |
| Administrator -> 6   | <p><code>http://&lt;hostname&gt;:8080/RESTAPI/service/addobject</code></p> <p>Pass the object and the object name as data.</p>                                                                 | <p><code>http://&lt;hostname&gt;:8080/RESTAPI/service/editobject?typeid=6&amp;name=&lt;object name&gt;</code></p> | <p><code>http://&lt;hostname&gt;:8080/RESTAPI/service/getobject?typeid=6&amp;name=&lt;object name&gt;</code></p> | <p><code>http://&lt;hostname&gt;:8080/RESTAPI/service/deleteobject?typeid=6&amp;name=&lt;object name&gt;</code></p> |

Table D-2 REST API Services (continued)

| Object -> Type ID    | ADD                                                                                                                                                                                    | EDIT                                                                                                                                                                                                                           | GET                                                                                                                                                                                                                          | DELETE                                                                                                                                                                                                                                                                             |
|----------------------|----------------------------------------------------------------------------------------------------------------------------------------------------------------------------------------|--------------------------------------------------------------------------------------------------------------------------------------------------------------------------------------------------------------------------------|------------------------------------------------------------------------------------------------------------------------------------------------------------------------------------------------------------------------------|------------------------------------------------------------------------------------------------------------------------------------------------------------------------------------------------------------------------------------------------------------------------------------|
| RemoteServer -> 7    | <p><a href="http://&lt;hostname&gt;:8080/RESTAPI/service/addobject">http://&lt;hostname&gt;:8080/RESTAPI/service/addobject</a></p> <p>Pass the object and the object name as data.</p> | <p><a href="http://&lt;hostname&gt;:8080/RESTAPI/service/editobject?typeid=7&amp;name=&lt;object name&gt;">http://&lt;hostname&gt;:8080/RESTAPI/service/editobject?typeid=7&amp;name=&lt;object name&gt;</a></p>               | <p><a href="http://&lt;hostname&gt;:8080/RESTAPI/service/getobject?typeid=7&amp;name=&lt;object name&gt;">http://&lt;hostname&gt;:8080/RESTAPI/service/getobject?typeid=7&amp;name=&lt;object name&gt;</a></p>               | <p><a href="http://&lt;hostname&gt;:8080/RESTAPI/service/deleteobject?typeid=7&amp;name=&lt;object name&gt;">http://&lt;hostname&gt;:8080/RESTAPI/service/deleteobject?typeid=7&amp;name=&lt;object name&gt;</a></p>                                                               |
| UserGroup -> 8       | <p><a href="http://&lt;hostname&gt;:8080/RESTAPI/service/addobject">http://&lt;hostname&gt;:8080/RESTAPI/service/addobject</a></p> <p>Pass the object and the object name as data.</p> | <p><a href="http://&lt;hostname&gt;:8080/RESTAPI/service/editobject?typeid=8&amp;name=&lt;object name&gt;">http://&lt;hostname&gt;:8080/RESTAPI/service/editobject?typeid=8&amp;name=&lt;object name&gt;</a></p>               | <p><a href="http://&lt;hostname&gt;:8080/RESTAPI/service/getobject?typeid=8&amp;name=&lt;object name&gt;">http://&lt;hostname&gt;:8080/RESTAPI/service/getobject?typeid=8&amp;name=&lt;object name&gt;</a></p>               | <p><a href="http://&lt;hostname&gt;:8080/RESTAPI/service/deleteobject?typeid=8&amp;name=&lt;object name&gt;">http://&lt;hostname&gt;:8080/RESTAPI/service/deleteobject?typeid=8&amp;name=&lt;object name&gt;</a></p>                                                               |
| Profile -> 9         | <p><a href="http://&lt;hostname&gt;:8080/RESTAPI/service/addobject">http://&lt;hostname&gt;:8080/RESTAPI/service/addobject</a></p> <p>Pass the object and the object name as data.</p> | <p><a href="http://&lt;hostname&gt;:8080/RESTAPI/service/editobject?typeid=9&amp;name=&lt;object name&gt;">http://&lt;hostname&gt;:8080/RESTAPI/service/editobject?typeid=9&amp;name=&lt;object name&gt;</a></p>               | <p><a href="http://&lt;hostname&gt;:8080/RESTAPI/service/getobject?typeid=9&amp;name=&lt;object name&gt;">http://&lt;hostname&gt;:8080/RESTAPI/service/getobject?typeid=9&amp;name=&lt;object name&gt;</a></p>               | <p><a href="http://&lt;hostname&gt;:8080/RESTAPI/service/deleteobject?typeid=9&amp;name=&lt;object name&gt;">http://&lt;hostname&gt;:8080/RESTAPI/service/deleteobject?typeid=9&amp;name=&lt;object name&gt;</a></p>                                                               |
| Replication -> 10    | <p><a href="http://&lt;hostname&gt;:8080/RESTAPI/service/addobject">http://&lt;hostname&gt;:8080/RESTAPI/service/addobject</a></p> <p>Pass the object and the object name as data.</p> | <p><a href="http://&lt;hostname&gt;:8080/RESTAPI/service/editobject?typeid=10&amp;name=&lt;name of Repmember&gt;">http://&lt;hostname&gt;:8080/RESTAPI/service/editobject?typeid=10&amp;name=&lt;name of Repmember&gt;</a></p> | <p><a href="http://&lt;hostname&gt;:8080/RESTAPI/service/getobject?typeid=10&amp;name=&lt;name of Repmember&gt;">http://&lt;hostname&gt;:8080/RESTAPI/service/getobject?typeid=10&amp;name=&lt;name of Repmember&gt;</a></p> | <p><a href="http://&lt;hostname&gt;:8080/RESTAPI/service/deleteobject?typeid=10&amp;name=Replication/Rep+Members/&lt;name of Repmember&gt;">http://&lt;hostname&gt;:8080/RESTAPI/service/deleteobject?typeid=10&amp;name=Replication/Rep+Members/&lt;name of Repmember&gt;</a></p> |
| Rule -> 11           | <p><a href="http://&lt;hostname&gt;:8080/RESTAPI/service/addobject">http://&lt;hostname&gt;:8080/RESTAPI/service/addobject</a></p> <p>Pass the object and the object name as data.</p> | <p><a href="http://&lt;hostname&gt;:8080/RESTAPI/service/editobject?typeid=11&amp;name=&lt;object name&gt;">http://&lt;hostname&gt;:8080/RESTAPI/service/editobject?typeid=11&amp;name=&lt;object name&gt;</a></p>             | <p><a href="http://&lt;hostname&gt;:8080/RESTAPI/service/getobject?typeid=11&amp;name=&lt;object name&gt;">http://&lt;hostname&gt;:8080/RESTAPI/service/getobject?typeid=11&amp;name=&lt;object name&gt;</a></p>             | <p><a href="http://&lt;hostname&gt;:8080/RESTAPI/service/deleteobject?typeid=11&amp;name=&lt;object name&gt;">http://&lt;hostname&gt;:8080/RESTAPI/service/deleteobject?typeid=11&amp;name=&lt;object name&gt;</a></p>                                                             |
| SessionManager -> 12 | <p><a href="http://&lt;hostname&gt;:8080/RESTAPI/service/addobject">http://&lt;hostname&gt;:8080/RESTAPI/service/addobject</a></p> <p>Pass the object and the object name as data.</p> | <p><a href="http://&lt;hostname&gt;:8080/RESTAPI/service/editobject?typeid=12&amp;name=&lt;object name&gt;">http://&lt;hostname&gt;:8080/RESTAPI/service/editobject?typeid=12&amp;name=&lt;object name&gt;</a></p>             | <p><a href="http://&lt;hostname&gt;:8080/RESTAPI/service/getobject?typeid=12&amp;name=&lt;object name&gt;">http://&lt;hostname&gt;:8080/RESTAPI/service/getobject?typeid=12&amp;name=&lt;object name&gt;</a></p>             | <p><a href="http://&lt;hostname&gt;:8080/RESTAPI/service/deleteobject?typeid=12&amp;name=&lt;object name&gt;">http://&lt;hostname&gt;:8080/RESTAPI/service/deleteobject?typeid=12&amp;name=&lt;object name&gt;</a></p>                                                             |
| Snmp -> 13           | <p><a href="http://&lt;hostname&gt;:8080/RESTAPI/service/addobject">http://&lt;hostname&gt;:8080/RESTAPI/service/addobject</a></p> <p>Pass the object and the object name as data.</p> | —                                                                                                                                                                                                                              | —                                                                                                                                                                                                                            | —                                                                                                                                                                                                                                                                                  |

Table D-2 REST API Services (continued)

| Object -> Type ID               | ADD                                                                                                                                                                                    | EDIT                                                                                                                                                                                                               | GET                                                                                                                                                                                                              | DELETE                                                                                                                                                                                                                                                                               |
|---------------------------------|----------------------------------------------------------------------------------------------------------------------------------------------------------------------------------------|--------------------------------------------------------------------------------------------------------------------------------------------------------------------------------------------------------------------|------------------------------------------------------------------------------------------------------------------------------------------------------------------------------------------------------------------|--------------------------------------------------------------------------------------------------------------------------------------------------------------------------------------------------------------------------------------------------------------------------------------|
| RemoteODBCSession Server -> 14  | <p><a href="http://&lt;hostname&gt;:8080/RESTAPI/service/addobject">http://&lt;hostname&gt;:8080/RESTAPI/service/addobject</a></p> <p>Pass the object and the object name as data.</p> | —                                                                                                                                                                                                                  | —                                                                                                                                                                                                                | —                                                                                                                                                                                                                                                                                    |
| UserList -> 16                  | <p><a href="http://&lt;hostname&gt;:8080/RESTAPI/service/addobject">http://&lt;hostname&gt;:8080/RESTAPI/service/addobject</a></p> <p>Pass the object and the object name as data.</p> | <p><a href="http://&lt;hostname&gt;:8080/RESTAPI/service/editobject?typeid=16&amp;name=&lt;object name&gt;">http://&lt;hostname&gt;:8080/RESTAPI/service/editobject?typeid=16&amp;name=&lt;object name&gt;</a></p> | <p><a href="http://&lt;hostname&gt;:8080/RESTAPI/service/getobject?typeid=16&amp;name=&lt;object name&gt;">http://&lt;hostname&gt;:8080/RESTAPI/service/getobject?typeid=16&amp;name=&lt;object name&gt;</a></p> | <p><a href="http://&lt;hostname&gt;:8080/RESTAPI/service/deleteobject?typeid=16&amp;name=&lt;object name&gt;">http://&lt;hostname&gt;:8080/RESTAPI/service/deleteobject?typeid=16&amp;name=&lt;object name&gt;</a></p>                                                               |
| EncryptedIMSI-PrivateKeys -> 18 | <p><a href="http://&lt;hostname&gt;:8080/RESTAPI/service/addobject">http://&lt;hostname&gt;:8080/RESTAPI/service/addobject</a></p>                                                     | <p><a href="http://&lt;hostname&gt;:8080/RESTAPI/service/editobject?typeid=18&amp;name=&lt;name of key&gt;">http://&lt;hostname&gt;:8080/RESTAPI/service/editobject?typeid=18&amp;name=&lt;name of key&gt;</a></p> | <p><a href="http://&lt;hostname&gt;:8080/RESTAPI/service/getobject?typeid=18&amp;name=&lt;name of key&gt;">http://&lt;hostname&gt;:8080/RESTAPI/service/getobject?typeid=18&amp;name=&lt;name of key&gt;</a></p> | <p><a href="http://&lt;hostname&gt;:8080/RESTAPI/service/deleteobject?typeid=18&amp;name=EncryptedIMSI-PrivateKeys/keys/&lt;name of key&gt;">http://&lt;hostname&gt;:8080/RESTAPI/service/deleteobject?typeid=18&amp;name=EncryptedIMSI-PrivateKeys/keys/&lt;name of key&gt;</a></p> |
| ODBCDataSource -> 44            | <p><a href="http://&lt;hostname&gt;:8080/RESTAPI/service/addobject">http://&lt;hostname&gt;:8080/RESTAPI/service/addobject</a></p> <p>Pass the object and the object name as data.</p> | <p><a href="http://&lt;hostname&gt;:8080/RESTAPI/service/editobject?typeid=44&amp;name=&lt;object name&gt;">http://&lt;hostname&gt;:8080/RESTAPI/service/editobject?typeid=44&amp;name=&lt;object name&gt;</a></p> | <p><a href="http://&lt;hostname&gt;:8080/RESTAPI/service/getobject?typeid=44&amp;name=&lt;object name&gt;">http://&lt;hostname&gt;:8080/RESTAPI/service/getobject?typeid=44&amp;name=&lt;object name&gt;</a></p> | <p><a href="http://&lt;hostname&gt;:8080/RESTAPI/service/deleteobject?typeid=44&amp;name=&lt;object name&gt;">http://&lt;hostname&gt;:8080/RESTAPI/service/deleteobject?typeid=44&amp;name=&lt;object name&gt;</a></p>                                                               |

Table D-3 provides a list of other REST APIs used in Prime Access Registrar.

Table D-3 Other APIs used in Prime Access Registrar

| Operation            | URL                                                                                                                                                                                                                                                     |
|----------------------|---------------------------------------------------------------------------------------------------------------------------------------------------------------------------------------------------------------------------------------------------------|
| Tacacs Statistics    | <a href="http://&lt;hostname&gt;:8080/RESTAPI/service/Tacacsstatistics">http://&lt;hostname&gt;:8080/RESTAPI/service/Tacacsstatistics</a>                                                                                                               |
| Diameterstatistics   | <a href="http://&lt;hostname&gt;:8080/RESTAPI/service/Diameterstatistics">http://&lt;hostname&gt;:8080/RESTAPI/service/Diameterstatistics</a>                                                                                                           |
| Statistics           | <a href="http://&lt;hostname&gt;:8080/RESTAPI/service/Statistics">http://&lt;hostname&gt;:8080/RESTAPI/service/Statistics</a>                                                                                                                           |
| RemoteServerStats    | <a href="http://&lt;hostname&gt;:8080/RESTAPI/service/RemoteServerStats">http://&lt;hostname&gt;:8080/RESTAPI/service/RemoteServerStats</a>                                                                                                             |
| DiameterPeerStats    | <a href="http://&lt;hostname&gt;:8080/RESTAPI/service/DiameterPeerStats">http://&lt;hostname&gt;:8080/RESTAPI/service/DiameterPeerStats</a>                                                                                                             |
| DiaRemoteServerStats | <a href="http://&lt;hostname&gt;:8080/RESTAPI/service/DiaRemoteServerStats">http://&lt;hostname&gt;:8080/RESTAPI/service/DiaRemoteServerStats</a>                                                                                                       |
| ClientStats          | <a href="http://&lt;hostname&gt;:8080/RESTAPI/service/ClientStats">http://&lt;hostname&gt;:8080/RESTAPI/service/ClientStats</a>                                                                                                                         |
| Reload               | <a href="http://&lt;hostname&gt;:8080/RESTAPI/service/Reload">http://&lt;hostname&gt;:8080/RESTAPI/service/Reload</a>                                                                                                                                   |
| AddUser              | <a href="http://&lt;hostname&gt;:8080/RESTAPI/service/adduser?UserListName=&lt;nameofUserList&gt;">http://&lt;hostname&gt;:8080/RESTAPI/service/adduser?UserListName=&lt;nameofUserList&gt;</a>                                                         |
| GetUser              | <a href="http://&lt;hostname&gt;:8080/RESTAPI/service/getuser?name=&lt;nameofuser&gt;&amp;UserListName=&lt;nameofuserlist&gt;">http://&lt;hostname&gt;:8080/RESTAPI/service/getuser?name=&lt;nameofuser&gt;&amp;UserListName=&lt;nameofuserlist&gt;</a> |



Prime Access Registrar supports basic authentication with Base64 encoding support for username and password.

A sample header on encryption is provided in the example below:

```
-H "Authorization: Basic YWRtaW46YWljdXNlcg=="
```

**Note**

REST interface can also be accessed using HTTPS through the 8443 port.

**Table D-4** Parameter and Data Syntax for APIs

| Parameter        | Data Syntax/Example                                                               |
|------------------|-----------------------------------------------------------------------------------|
| with-id          | "{"parameter":"S21","value":"","type":"with-id"}"                                 |
| with-user        | "{"parameter":"bob","value":"","type":"with-user"}"                               |
| with-key         | "{"parameter":"bob","value":"","type":"with-key"}"                                |
| with-nas         | "{"parameter":"localhost","value":"","type":"with-nas"}"                          |
| with-ip-address  | "{"parameter":"192.168.0.4","value":"","type":"with-ip-address"}"                 |
| with-ipx-network | "{"parameter":"0x6","value":"","type":"with-ipx-network"}"                        |
| with-age         | "{"parameter":"1S","value":"","type":"with-age"}"                                 |
| with-usr-vpn     | "{"parameter":"1","value":"","type":"with-usr-vpn"}"                              |
| with-attribute   | "{"parameter":"Framed-IP-Address","value":"192.168.0.1","type":"with-attribute"}" |
| with-Home-Agent  | "{"parameter":"","value":"","type":"with-Home-Agent"}"                            |
| with-IP-Subnet   | "{"parameter":"","value":"","type":"with-IP-Subnet"}"                             |

## REST API Support for Query and Release Sessions

The REST interface allows you to perform the following:

- Query the server about the currently active user sessions
- Release the currently active user sessions

You can request information about those sessions that match a specified filter type, which could be one of the following:

- with-id
- with-user
- with-key
- with-nas
- with-ip-address
- with-ipx-network
- with-age
- with-usr-vpn
- with-attribute



- with-Home-Agent
- with-IP-Subnet

Table D-5 lists the details of REST APIs for query and release session services.

**Table D-5** REST APIs for Query and Release Sessions

| Service         | URL                                                                                                                            | Inputs                                                                                                                                                                                                                         | Sample API                                                                                                                                                                                                                                                                                                                                                                                           |
|-----------------|--------------------------------------------------------------------------------------------------------------------------------|--------------------------------------------------------------------------------------------------------------------------------------------------------------------------------------------------------------------------------|------------------------------------------------------------------------------------------------------------------------------------------------------------------------------------------------------------------------------------------------------------------------------------------------------------------------------------------------------------------------------------------------------|
| Query Session   | <code>http://&lt;hostname&gt;:8080/RESTAPI/service/querySessions?path=/r&amp;filterType=with-user&amp;filterValue=bob</code>   | <ul style="list-style-type: none"> <li>• Content-Type—application/json</li> <li>• username—username to access the services</li> <li>• password—password to access the service</li> <li>• filterType—as listed above</li> </ul> | <pre>curl -H "username:admin" -H "password:aicuser" 'http://ar-lnx-vm038:8080/RESTAPI/service/querySessions?path=/r&amp;filterType=with-user&amp;filterValue=bob' {"session-mgr-1":{"S3":{"Username":"bob","Key":"localhost:1","Nas":"localhost","IP":"192.168.0.0","IPX":"0x1","GSL":"1","USL":"1","UserVPN":"1","Nas-port":"1","Time":"00:01:17","User-Name":"bob"}}} [root@ar-lnx-vm049 ~]#</pre> |
| Release Session | <code>http://&lt;hostname&gt;:8080/RESTAPI/service/releasesessions?path=/r&amp;filterType=with-user&amp;filterValue=bob</code> |                                                                                                                                                                                                                                | <pre>curl -X GET -H "username:admin" -H "password:aicuser" -H "Content-Type:application/json" 'http://ar-lnx-vm041:8080/RESTAPI/service/releasesessions?path=/r/SessionManagers/&amp;filterType=with-user&amp;filterValue=bob' Released 1 session(s) Successfully in /Radius/SessionManagers</pre>                                                                                                   |

