



IPsec Data Plane Configuration Guide, Cisco IOS XE Fuji 16.9.x

Americas Headquarters

Cisco Systems, Inc.
170 West Tasman Drive
San Jose, CA 95134-1706
USA
<http://www.cisco.com>
Tel: 408 526-4000
800 553-NETS (6387)
Fax: 408 527-0883

THE SPECIFICATIONS AND INFORMATION REGARDING THE PRODUCTS IN THIS MANUAL ARE SUBJECT TO CHANGE WITHOUT NOTICE. ALL STATEMENTS, INFORMATION, AND RECOMMENDATIONS IN THIS MANUAL ARE BELIEVED TO BE ACCURATE BUT ARE PRESENTED WITHOUT WARRANTY OF ANY KIND, EXPRESS OR IMPLIED. USERS MUST TAKE FULL RESPONSIBILITY FOR THEIR APPLICATION OF ANY PRODUCTS.

THE SOFTWARE LICENSE AND LIMITED WARRANTY FOR THE ACCOMPANYING PRODUCT ARE SET FORTH IN THE INFORMATION PACKET THAT SHIPPED WITH THE PRODUCT AND ARE INCORPORATED HEREIN BY THIS REFERENCE. IF YOU ARE UNABLE TO LOCATE THE SOFTWARE LICENSE OR LIMITED WARRANTY, CONTACT YOUR CISCO REPRESENTATIVE FOR A COPY.

The Cisco implementation of TCP header compression is an adaptation of a program developed by the University of California, Berkeley (UCB) as part of UCB's public domain version of the UNIX operating system. All rights reserved. Copyright © 1981, Regents of the University of California.

NOTWITHSTANDING ANY OTHER WARRANTY HEREIN, ALL DOCUMENT FILES AND SOFTWARE OF THESE SUPPLIERS ARE PROVIDED "AS IS" WITH ALL FAULTS. CISCO AND THE ABOVE-NAMED SUPPLIERS DISCLAIM ALL WARRANTIES, EXPRESSED OR IMPLIED, INCLUDING, WITHOUT LIMITATION, THOSE OF MERCHANTABILITY, FITNESS FOR A PARTICULAR PURPOSE AND NON-INFRINGEMENT OR ARISING FROM A COURSE OF DEALING, USAGE, OR TRADE PRACTICE.

IN NO EVENT SHALL CISCO OR ITS SUPPLIERS BE LIABLE FOR ANY INDIRECT, SPECIAL, CONSEQUENTIAL, OR INCIDENTAL DAMAGES, INCLUDING, WITHOUT LIMITATION, LOST PROFITS OR LOSS OR DAMAGE TO DATA ARISING OUT OF THE USE OR INABILITY TO USE THIS MANUAL, EVEN IF CISCO OR ITS SUPPLIERS HAVE BEEN ADVISED OF THE POSSIBILITY OF SUCH DAMAGES.

Any Internet Protocol (IP) addresses and phone numbers used in this document are not intended to be actual addresses and phone numbers. Any examples, command display output, network topology diagrams, and other figures included in the document are shown for illustrative purposes only. Any use of actual IP addresses or phone numbers in illustrative content is unintentional and coincidental.

All printed copies and duplicate soft copies of this document are considered uncontrolled. See the current online version for the latest version.

Cisco has more than 200 offices worldwide. Addresses and phone numbers are listed on the Cisco website at www.cisco.com/go/offices.

Cisco and the Cisco logo are trademarks or registered trademarks of Cisco and/or its affiliates in the U.S. and other countries. To view a list of Cisco trademarks, go to this URL: [www.cisco.com go trademarks](http://www.cisco.com/go/trademarks). Third-party trademarks mentioned are the property of their respective owners. The use of the word partner does not imply a partnership relationship between Cisco and any other company. (1721R)

© 2019 Cisco Systems, Inc. All rights reserved.



CONTENTS

CHAPTER 1

Read Me First 1

CHAPTER 2

IPsec Anti-Replay Window Expanding and Disabling 3

Finding Feature Information 3

Prerequisites for IPsec Anti-Replay Window Expanding and Disabling 3

Information About IPsec Anti-Replay Window Expanding and Disabling 4

IPsec Anti-Replay Window 4

How to Configure IPsec Anti-Replay Window Expanding and Disabling 4

Configuring IPsec Anti-Replay Window Expanding and Disabling Globally 4

Configuring IPsec Anti-Replay Window Expanding and Disabling on a Crypto Map 5

Troubleshooting Tips 6

Configuration Examples for IPsec Anti-Replay Window Expanding and Disabling 6

Global Expanding and Disabling of an Anti-Replay Window Example 6

Expanding and Disabling of an Anti-Replay Window for Crypto Maps or Crypto Profiles Example 8

IPsec Anti Replay Mechanism for QoS 9

IPsec Anti-Replay Packet Loss Avoidance 10

Configuring IPsec Anti-Replay for QoS 11

Show Commands 11

show platform hardware qfp active feature ipsec datapath crypto-sa 11

show platform hardware qfp active feature ipsec sa 11

show platform software ipsec fp active flow 12

show crypto ipsec sa <ip> peer 13

Additional References 14

Feature Information for IPsec Anti-Replay Window Expanding and Disabling 15

CHAPTER 3	Pre-Fragmentation for IPsec VPNs	17
	Finding Feature Information	17
	Restrictions for Pre-Fragmentation for IPsec VPNs	17
	Information About Pre-Fragmentation for IPsec VPNs	18
	Pre-fragmentation for IPsec VPNs	18
	How to Configure Pre-Fragmentation for IPsec VPNs	19
	Configuring Pre-Fragmentation for IPsec VPNs	19
	Additional References	20
	Feature Information for Pre-Fragmentation for IPsec VPNs	21
<hr/>		
CHAPTER 4	Invalid Security Parameter Index Recovery	23
	Finding Feature Information	23
	Prerequisites for Invalid Security Parameter Index Recovery	23
	Restrictions for Invalid Security Parameter Index Recovery	24
	Information About Invalid Security Parameter Index Recovery	24
	How the Feature Works	24
	How to Configure Invalid Security Parameter Index Recovery	24
	Configuring Invalid Security Parameter Index Recovery	24
	Verifying a Preshared Configuration	25
	Configuration Examples for Invalid SecurityParameter Index Recovery	31
	Invalid Security Parameter Index Recovery Example	31
	Additional References	36
	Related Documents	36
	Standards	36
	MIBs	36
	RFCs	37
	Technical Assistance	37
	Feature Information for Invalid Security ParameterIndex Recovery	37
<hr/>		
CHAPTER 5	IPsec Dead Peer Detection Periodic Message Option	39
	Finding Feature Information	39
	Prerequisites for IPsec Dead Peer Detection Periodic Message Option	39
	Restrictions for IPsec Dead Peer Detection Periodic Message Option	40

Information About IPsec Dead Peer Detection Periodic Message Option	40
How DPD and Cisco IOS XE Keepalive Features Work	40
Using the IPsec Dead Peer Detection Periodic Message Option	40
Using DPD and Cisco IOS XE Keepalive Features with Multiple Peers in the Crypto Map	41
How to Configure IPsec Dead Peer Detection Periodic Message Option	41
Configuring a Periodic DPD Message	41
Configuring DPD and Cisco IOS XE Keepalives with Multiple Peers in the Crypto Map	42
Verifying That DPD Is Enabled	43
Configuration Examples for IPsec Dead Peer Detection Periodic Message Option	44
Site-to-Site Setup with Periodic DPD Enabled Example	44
Verifying DPD Configuration Using the debug crypto isakmp Command Example	45
DPD and Cisco IOS XE Keepalives Used in Conjunction with Multiple Peers in a Crypto Map Example	47
Additional References	47
Related Documents	47
Standards	48
MIBs	48
RFCs	48
Technical Assistance	48
Feature Information for Dead Peer Detection Periodic Message Option	48

CHAPTER 6**IPsec NAT Transparency 51**

Finding Feature Information	51
Restrictions for IPsec NAT Transparency	51
Information About IPsec NAT Transparency	52
Benefit of IPsec NAT Transparency	52
Feature Design of IPsec NAT Traversal	52
IKE Phase 1 Negotiation NAT Detection	52
IKE Phase 2 Negotiation NAT Traversal Decision	53
UDP Encapsulation of IPsec Packets for NAT Traversal	53
UDP Encapsulated Process for Software Engines Transport Mode and Tunnel Mode ESP Encapsulation	54
NAT Keepalives	55
How to Configure NAT and IPsec	55

Configuring NAT Traversal	55
Disabling NAT Traversal	55
Configuring NAT Keepalives	56
Verifying IPsec Configuration	57
Configuration Examples for IPsec and NAT	57
NAT Keepalives Configuration Example	57
Additional References	58
Feature Information for IPsec NAT Transparency	59
Glossary	60

CHAPTER 7	DF Bit Override Functionality with IPsec Tunnels	61
	Finding Feature Information	61
	Prerequisites for DF Bit Override Functionality with IPsec Tunnels	61
	Restrictions for DF Bit Override Functionality with IPsec Tunnels	62
	Information About DF Bit Override Functionality with IPsec Tunnels	62
	Feature Overview	62
	How to Configure DF Bit Override Functionality with IPsec Tunnels	63
	Configuring the DF Bit for the Encapsulating Header in Tunnel Mode	63
	Verifying DF Bit Setting	63
	Configuration Examples for DB Bit Override Functionality with IPsec Tunnels	64
	DF Bit Setting Configuration Example	64
	Additional References	64
	Related Documents	65
	Standards	65
	MIBs	65
	RFCs	65
	Technical Assistance	65
	Feature Information for DF Bit Override Functionality with IPsec Tunnels	66

CHAPTER 8	IPsec Security Association Idle Timers	67
	Finding Feature Information	67
	Prerequisites for IPsec Security Association Idle Timers	67
	Information About IPsec Security Association Idle Timers	68
	Lifetimes for IPsec Security Associations	68

IPsec Security Association Idle Timers	68
How to Configure IPsec Security Association Idle Timers	68
Configuring the IPsec SA Idle Timer Globally	68
Configuring the IPsec SA Idle Timer per Crypto Map	69
Configuration Examples for IPsec Security Association Idle Timers	70
Configuring the IPsec SA Idle Timer Globally Example	70
Configuring the IPsec SA Idle Timer per Crypto Map Example	70
Additional References	70
Feature Information for IPsec Security Association Idle Timers	71

CHAPTER 9**IPv6 IPsec Quality of Service 73**

Finding Feature Information	73
Information About IPv6 IPsec QoS	73
IPv6 IPsec QoS Overview	73
How to Configure IPv6 IPsec QoS	74
Configuring Crypto LLQ QoS	74
Configuring QoS Pre-classify	75
Configuring Pre-classify on the Crypto Map	75
Configuring Pre-classify on the Tunnel Interface	76
Configuring LLQ QoS Group	77
Configuration Examples for QoS	78
Example: Configuring Crypto LLQ QoS	78
Example: Configuring Pre-classify on the Crypto Map	78
Example: Configuring Pre-classify on the Tunnel Interface	79
Example: Configuring LLQ QoS Group	79
Additional References for IPv6 IPsec QoS	80
Feature Information for IPv6 IPsec QoS	81

CHAPTER 10**IPv6 Virtual Tunnel Interface 83**

Finding Feature Information	83
Information About IPv6 Virtual Tunnel Interface	83
IPsec for IPv6	83
IPv6 IPsec Site-to-Site Protection Using Virtual Tunnel Interface	84
How to Configure IPv6 Virtual Tunnel Interface	85

Configuring a VTI for Site-to-Site IPv6 IPsec Protection	85
Defining an IKE Policy and a Preshared Key in IPv6	85
Configuring ISAKMP Aggressive Mode	88
Defining an IPsec Transform Set and IPsec Profile	89
Defining an ISAKMP Profile in IPv6	90
Configuring IPv6 IPsec VTI	91
Verifying IPsec Tunnel Mode Configuration	93
Troubleshooting IPsec for IPv6 Configuration and Operation	95
Configuration Examples for IPv6 Virtual Tunnel Interface	96
Example: Configuring a VTI for Site-to-Site IPv6 IPsec Protection	96
Additional References	96
Feature Information for IPv6 Virtual Tunnel Interface	97



CHAPTER 1

Read Me First

Important Information about Cisco IOS XE 16

Effective Cisco IOS XE Release 3.7.0E for Catalyst Switching and Cisco IOS XE Release 3.17S (for Access and Edge Routing) the two releases evolve (merge) into a single version of converged release—the Cisco IOS XE 16—providing one release covering the extensive range of access and edge products in the Switching and Routing portfolio.

Feature Information

Use [Cisco Feature Navigator](#) to find information about feature support, platform support, and Cisco software image support. An account on Cisco.com is not required.

Related References

- [Cisco IOS Command References, All Releases](#)

Obtaining Documentation and Submitting a Service Request

- To receive timely, relevant information from Cisco, sign up at [Cisco Profile Manager](#).
- To get the business impact you're looking for with the technologies that matter, visit [Cisco Services](#).
- To submit a service request, visit [Cisco Support](#).
- To discover and browse secure, validated enterprise-class apps, products, solutions and services, visit [Cisco Marketplace](#).
- To obtain general networking, training, and certification titles, visit [Cisco Press](#).
- To find warranty information for a specific product or product family, access [Cisco Warranty Finder](#).



CHAPTER 2

IPsec Anti-Replay Window Expanding and Disabling

Cisco IP security (IPsec) authentication provides anti-replay protection against an attacker duplicating encrypted packets by assigning a unique sequence number to each encrypted packet. The decryptor keeps track of which packets it has seen on the basis of these numbers. Currently, the default window size is 64 packets. Generally, this number (window size) is sufficient, but there are times when you may want to expand this window size. The IPsec Anti-Replay Window: Expanding and Disabling feature allows you to expand the window size, allowing the decryptor to keep track of more than 64 packets.

- [Finding Feature Information, on page 3](#)
- [Prerequisites for IPsec Anti-Replay Window Expanding and Disabling, on page 3](#)
- [Information About IPsec Anti-Replay Window Expanding and Disabling, on page 4](#)
- [How to Configure IPsec Anti-Replay Window Expanding and Disabling, on page 4](#)
- [Configuration Examples for IPsec Anti-Replay Window Expanding and Disabling, on page 6](#)
- [IPsec Anti Replay Mechanism for QoS, on page 9](#)
- [Additional References, on page 14](#)
- [Feature Information for IPsec Anti-Replay Window Expanding and Disabling, on page 15](#)

Finding Feature Information

Your software release may not support all the features documented in this module. For the latest caveats and feature information, see [Bug Search Tool](#) and the release notes for your platform and software release. To find information about the features documented in this module, and to see a list of the releases in which each feature is supported, see the feature information table.

Use Cisco Feature Navigator to find information about platform support and Cisco software image support. To access Cisco Feature Navigator, go to www.cisco.com/go/cfn. An account on Cisco.com is not required.

Prerequisites for IPsec Anti-Replay Window Expanding and Disabling

- Before configuring this feature, you should have already created a crypto map or crypto profile.

- To configure the IPsec Anti-Replay Window: Expanding and Disabling feature, you should understand the following concept: [IPsec Anti-Replay Window, on page 4](#)

Information About IPsec Anti-Replay Window Expanding and Disabling

IPsec Anti-Replay Window

Cisco IPsec authentication provides anti-replay protection against an attacker duplicating encrypted packets by assigning a unique sequence number to each encrypted packet. (Security association [SA] anti-replay is a security service in which the receiver can reject old or duplicate packets to protect itself against replay attacks.) The decryptor checks off the sequence numbers that it has seen before. The encryptor assigns sequence numbers in an increasing order. The decryptor remembers the value X of the highest sequence number that it has already seen. N is the window size, and the decryptor also remembers whether it has seen packets having sequence numbers from X-N+1 through X. Any packet with the sequence number X-N is discarded. Currently, N is set at 64, so only 64 packets can be tracked by the decryptor.

At times, however, the 64-packet window size is not sufficient. For example, Cisco quality of service (QoS) gives priority to high-priority packets, which could cause some low-priority packets to be discarded when they arrive outside of the 64 packet replay window at the decryptor. The IPsec Anti-Replay Window: Expanding and Disabling feature allows you to expand the window size, allowing the decryptor to keep track of more than 64 packets.

Increasing the anti-replay window size has no impact on throughput and security. The impact on memory is insignificant because only an extra 128 bytes per incoming IPsec SA is needed to store the sequence number on the decryptor. It is recommended that you use the full 1024 window size to eliminate any future anti-replay problems.

How to Configure IPsec Anti-Replay Window Expanding and Disabling

Configuring IPsec Anti-Replay Window Expanding and Disabling Globally

To configure IPsec Anti-Replay Window: Expanding and Disabling globally (so that it affects all SAs that are created), perform the following steps.

SUMMARY STEPS

1. **enable**
2. **configure terminal**
3. **crypto ipsec security-association replay window-size [N]**
4. **crypto ipsec security-association replay disable**

DETAILED STEPS

	Command or Action	Purpose
Step 1	enable Example: <pre>Router> enable</pre>	Enables privileged EXEC mode. <ul style="list-style-type: none"> • Enter your password if prompted.
Step 2	configure terminal Example: <pre>Router# configure terminal</pre>	Enters global configuration mode.
Step 3	crypto ipsec security-association replay window-size [N] Example: <pre>Router (config)# crypto ipsec security-association replay window-size 256</pre>	Sets the size of the SA replay window globally. Note Configure this command or the crypto ipsec security-association replay disable command. The two commands are not used at the same time.
Step 4	crypto ipsec security-association replay disable Example: <pre>Router (config)# crypto ipsec security-association replay disable</pre>	Disables checking globally. Note Configure this command or the crypto ipsec security-association replay window-size command. The two commands are not used at the same time.

Configuring IPsec Anti-Replay Window Expanding and Disabling on a Crypto Map

To configure IPsec Anti-Replay Window: Expanding and Disabling on a crypto map so that it affects those SAs that have been created using a specific crypto map or profile, perform the following steps.

SUMMARY STEPS

1. **enable**
2. **configure terminal**
3. **crypto map map-name seq-num [ipsec-isakmp]**
4. **set security-association replay window-size [N]**
5. **set security-association replay disable**

DETAILED STEPS

	Command or Action	Purpose
Step 1	enable Example:	Enables privileged EXEC mode. <ul style="list-style-type: none"> • Enter your password if prompted.

	Command or Action	Purpose
	Router> enable	
Step 2	configure terminal Example: Router# configure terminal	Enters global configuration mode.
Step 3	crypto map map-name seq-num [ipsec-isakmp] Example: Router (config)# crypto map ETH0 17 ipsec-isakmp	Enters crypto map configuration mode and creates a crypto profile that provides a template for configuration of dynamically created crypto maps.
Step 4	set security-association replay window-size [N] Example: Router (crypto-map)# set security-association replay window-size 128	Controls the SAs that are created using the policy specified by a particular crypto map, dynamic crypto map, or crypto profile. Note Configure this command or the set security-association replay disable command. The two commands are not used at the same time.
Step 5	set security-association replay disable Example: Router (crypto-map)# set security-association replay disable	Disables replay checking for a particular crypto map, dynamic crypto map, or crypto profile. Note Configure this command or the set security-association replay window-size command. The two commands are not used at the same time.

Troubleshooting Tips

- If your replay window size has not been set to a number that is high enough for the number of packets received, you will receive a system message such as the following:

```
*Nov 17 19:27:32.279: %CRYPTO-4-PKT_REPLAY_ERR: decrypt: replay check failed connection id=1
```

The above message is generated when a received packet is judged to be outside the anti-replay window.

Configuration Examples for IPsec Anti-Replay Window Expanding and Disabling

Global Expanding and Disabling of an Anti-Replay Window Example

The following example shows that the anti-replay window size has been set globally to 1024:

```
version 2.1
service timestamps debug datetime msec
service timestamps log datetime msec
no service password-encryption
!
hostname VPN-Gateway1
!
boot-start-marker
boot-end-marker
!
!
clock timezone EST 0
no aaa new-model
ip subnet-zero
!
!
ip audit po max-events 100
no ftp-server write-enable
!
!
crypto isakmp policy 10
 authentication pre-share
crypto isakmp key cisco123 address 192.165.201.2 !
crypto ipsec security-association replay window-size 1024 !
crypto ipsec transform-set basic esp-des esp-md5-hmac !
crypto map mymap 10 ipsec-isakmp
 set peer 192.165.201.2
 set transform-set basic
 match address 101
!
!
interface FastEthernet0/0
 ip address 192.168.1.1 255.255.255.0
!
interface Serial11/0
 ip address 192.165.200.2 255.255.255.252 serial restart-delay 0 crypto map mymap !
ip classless
ip route 0.0.0.0 0.0.0.0 192.165.200.1
no ip http server
no ip http secure-server
!
!
access-list 101 permit ip 192.168.1.0 0.0.0.255 172.16.2.0 0.0.0.255 access-list 101 remark
 Crypto ACL
!
!
control-plane
!
!
line con 0
line aux 0
line vty 0 4
!
!
end
```

Expanding and Disabling of an Anti-Replay Window for Crypto Maps or Crypto Profiles Example

The following example shows that anti-replay checking is disabled for IPsec connections to 172.17.150.2 but enabled (and the default window size is 64) for IPsec connections to 172.17.150.3 and 172.17.150.4:

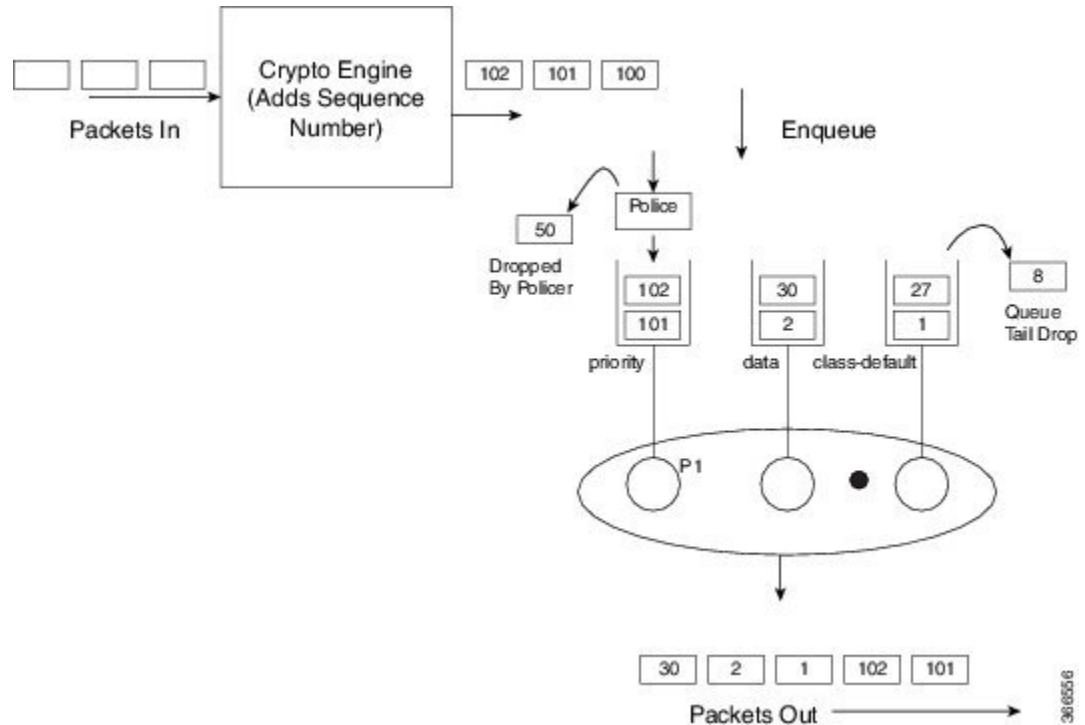
```

service timestamps debug uptime
service timestamps log uptime
no service password-encryption
!
hostname networkserver1
!
enable secret 5 $1$KxKv$cbqKsZtQTLJLGNP.tErFZl enable password ww !
ip subnet-zero
!
cns event-service server
crypto isakmp policy 1
authentication pre-share
crypto isakmp key cisco170 address 172.17.150.2 crypto isakmp key cisco180 address
172.17.150.3 crypto isakmp key cisco190 address 172.17.150.4
crypto ipsec transform-set 170cisco esp-des esp-md5-hmac crypto ipsec transform-set 180cisco
esp-des esp-md5-hmac crypto ipsec transform-set 190cisco esp-des esp-md5-hmac
crypto map ETH0 17 ipsec-isakmp
set peer 172.17.150.2
set security-association replay disable set transform-set 170cisco match address 170 crypto
map ETH0 18 ipsec-isakmp set peer 192.168.1.3 set transform-set 180cisco match address
180 crypto map ETH0 19 ipsec-isakmp set peer 192.168.1.4 set transform-set 190cisco match
address 190 !
interface FastEthernet0
ip address 172.17.150.1 255.255.255.0
no ip directed-broadcast
no ip route-cache
no ip mroute-cache
no mop enabled
crypto map ETH0
!
interface Serial0
ip address 172.16.160.1 255.255.255.0
no ip directed-broadcast
no ip mroute-cache
no fair-queue
!
ip classless
ip route 172.18.170.0 255.255.255.0 172.17.150.2 ip route 172.19.180.0 255.255.255.0
172.17.150.3 ip route 172.20.190.0 255.255.255.0 172.17.150.4 no ip http server !
access-list 170 permit ip 172.16.160.0 0.0.0.255 172.18.170.0 0.0.0.255 access-list 180
permit ip 172.16.160.0 0.0.0.255 172.19.180.0 0.0.0.255 access-list 190 permit ip 172.16.160.0
0.0.0.255 172.20.190.0 0.0.0.255 !
dialer-list 1 protocol ip permit
dialer-list 1 protocol ipx permit
!
line con 0
transport input none
line aux 0
line vty 0 4
password ww
logi
end

```


IPsec Anti Replay Mechanism for QoS

It is normal for packets to be reordered in IP networks, where QoS mechanisms (on the egress interface of the encrypting device or on other network elements in the path), loadbalancing mechanisms or routing / path selection mechanisms (that send different flows over different paths) are used.

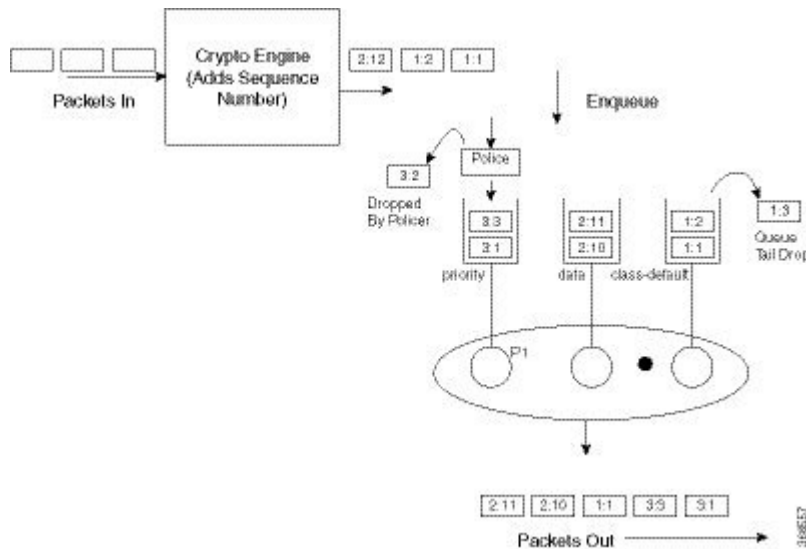


The above diagram shows how anti-replay protection system causes problems when QoS reorders packets. The encryption engine adds sequence numbers. After these numbers are added, packets are enqueued in egress queues depending on the application within that packet. In the example in the diagram, packets are already present in the bandwidth queues (data and class-default), when packets with the sequence numbers 101 and 102 are enqueued in the priority queue. The priority packets will be scheduled first. When the decrypting device receives the packet with the sequence number 101, the history in the sliding window is moved to 101, implying that the sliding window creates a history of sequence numbers 30-101. When the next packet which has the sequence number 102 is received, the history in the sliding window is changed to 39-102. Now, that there are no more packets in the priority queue, packets from one of the other queue is taken – for example, packet with the sequence number 1. Although this is the first time the decrypting device is receiving a packet with sequence number 1, the packet is dropped because of the history maintained in the sliding window.

Moving QoS scheduling before the encryption may solve the anti-replay issue but would render the QoS functionality useless. In addition, scheduling needs to be driven by the congestion of the egress interface (or a shaper on that interface). Increasing the size of the anti-replay window places a huge load on the memory of the devices that handles this functionality.

Hence, the solution of maintaining multiple sequence number spaces per security association was introduced. The number spaces would be aligned with the egress queuing scheme such that all packets in a given queue would receive a sequence number from the same sequence number space. Since all packets within a sequence number space would go through the same queue, the possibility of egress QoS causing reordering within those packets is eliminated. It is still possible (but unlikely) that reordering within a number space could happen

elsewhere in the network. If packets are tail dropped rather than enqueued out of sequence (not out of order), sequence numbers will still be received on the receiving side. Hence, we still maintain a history window per sequence number space but that history is considerably shorter.



The image shows that the sequence number consists of two parts, namely the selector and the sequence number. The receiving side would use the selector to choose the correct history to use and the sequence number would operate as always.



Note IPsec Anti-Replay feature does not support Group Encrypted Transport VPN (GETVPN) when multiple sequence number space (multi-SNS) is enabled.

IPsec Anti-Replay Packet Loss Avoidance

The IPsec Anti-Replay Packet Loss Avoidance feature avoids unnecessary IPsec Anti-Replay packet drops when QoS is configured with IPsec. However, some packet drops can happen under certain circumstances when QoS is used together with IPsec Anti-Replay enabled. Anti-Replay drops are seen for a second or two with multi-SNS enabled when a class-map is added or removed while crypto interface is attached on the peer router. The traffic recovers after a couple of seconds and no drops are seen after that.

The Anti-Replay drops can occur in the following situations:

- When a packet is in transit, a class is deleted from the QoS policymap. The packets that belong to this class are exhausted and the incoming packets are queued behind all the packets in the class-default queue. This can cause disruption in the sequence number space causing Anti-Replay drops. The queue becomes empty and the system recovers soon enough to resume normal behavior.
- When an ESP-based High Availability is configured and the over-subscribed traffic is sent through all the sequence number spaces Anti-Replay drops occur. With over-subscribed traffic on the sender side, traffic is shaped based on QoS policy. As a result, the receiving router gets packets with out of order sequence numbers. These drops are momentary and are recovered soon.
- During rekeying of security associations (SA), a router keeps both the old and new inbound Security Parameter Index (SPI) for a short period of time. Old SA is deleted after a short period. After the old SA

is deleted, if router receives any packet with old SPI (which can happen when there is a QoS policy), it drops the packet with invalid SPI error.

Configuring IPsec Anti-Replay for QoS

Given below is the command to enable multiple sequence number space per IPsec SA:

```
Device(config)#crypto ipsec security-association multi-sn
```



Caution

All existing sessions need to be cleared before configuring this feature. Else, traffic from the existing sessions will be dropped.



Caution

This feature needs to be configured on both the tunnel routers in an IPsec connection. If this feature is only enabled on one router, the other router will drop packets.

Show Commands

show platform hardware qfp active feature ipsec datapath crypto-sa

This command displays the mapping between the sequence number spaces and the sequence numbers in an IPsec SA in QFP:

```
Device# show platform hardware qfp active feature ipsec datapath crypto-sa 4
Crypto Context Handle: e8b06b60
peer sa handle: 0
anti-replay enabled
esn disabled
Outbound SA
Total SNS: 16
Space                current seq number
-----
0                    0
1                    0
2                    0
3                    0
4                    0
5                    0
6                    0
7                    0
8                    0
9                    0
10                   0
11                   100
12                   0
13                   0
14                   0
15                   0
```

show platform hardware qfp active feature ipsec sa

This command displays the IPsec SA in Cisco QuantumFlow Processor (Cisco QFP):

show platform software ipsec fp active flow

```

Device# show platform hardware qfp active feature ipsec sa 6
QFP ipsec sa Information

    QFP sa id: 6
    pal sa id: 170
    QFP spd id: 1
    QFP sp id: 2
    QFP spi: 0xa4a5244 (172642884)
    crypto ctx: 0x00000000e8b14a20
    flags: 0x4640068 (Details below)
           : src:IKE valid:Yes soft-life-expired:No hard-life-expired:No
           : replay-check:No proto:ESP mode:Receive-only direction:Egress
           : qos_preclassify:No qos_group:No
           : frag_type:AFTER_ENCRYPT df_bit_type:COPY
           : sar_enable:No getvpn_mode:SNDRCV_SA
           : doing_translation:No assigned_outside_rport:No
           : inline_tagging_enabled:No
    qos_group: 0x0
           mtu: 0x59e=1438
           mtu_adj: 0x588=1416
    sar_delta: 0
    sar_window: 0x0
    sibling_sa: 0x0
           sp_ptr: 0xe8abc000
           sbs_ptr: 0xe8a73878
    local endpoint: 33.0.0.3
    remote endpoint: 33.0.0.4
    cgid.cid.fid.rid: 1.1.1.11141121
           ivrf: 0
           fvrf: 0
    trans udp sport: 0
    trans udp dport: 0
    first intf name: Tunnel0
    nat fixup src port: 0
    nat fixup ip: 0.0.0.0

```

show platform software ipsec fp active flow

This command displays the IPsec SA in the fman-fp process for a given flow ID:

```

Device# show platform software ipsec fp active flow identifier 169
Flow id: 169
    mode: tunnel
    direction: inbound
    protocol: esp
           SPI: 0xbcd8840
    local IP addr: 33.0.0.3
    remote IP addr: 33.0.0.4
    crypto device id: 0
    crypto map id: 1
           SPD id: 1
           QFP SPD id: 1
    ACE line number: 1
    QFP SA handle: 5
    IOS XE interface id: 11
           interface name: Tunnel0
    Crypto SA ctx id: 0x00000000e8b148c0
           cipher: AES-128
           auth: SHA256
    initial seq.number: 0
           timeout, mins: 0
           flags: exp time;exp traffic;
    Time limits

```

```

    soft limit(sec): 3401
    hard limit(sec): 3568
Traffic limits

    soft limit(kb): 3962880
    hard limit(kb): 4608000
    inline_tagging: DISABLED
anti-replay window: 64
SPI Selector:

    remote addr low: 0.0.0.0
    remote addr high: 0.0.0.0
    local addr low: 33.0.0.3
    local addr high: 33.0.0.3
Classifier: range

    src IP addr low: 33.0.0.3
    src IP addr high: 33.0.0.3
    dst IP addr low: 33.0.0.4
    dst IP addr high: 33.0.0.4
    src port low: 0
    src port high: 65535
    dst port low: 0
    dst port high: 65535
    protocol low: 47
    protocol high: 47
----- Statistics

    octets(delta): 0
    total octets(delta): 4718576880
    packets(delta): 0
    dropped packets(delta): 0
    replay drops(delta): 0
    auth packets(delta): 0
    auth fails(delta): 0
    encrypted packets(delta): 0
    encrypt fails(delta): 0
----- End statistics

    object state: active
----- AOM

    cpp aom id: 894
    cgm aom id: 0
    n2 aom id: 891
    if aom id: 0

```

show crypto ipsec sa <ip> peer

This command retrieves the IPsec SA ID for the given peer and displays the SA in all the layers, which is from the IOS layer to the QFP layer.

```

Device# polaris-csr#show crypto ipsec sa peer 33.0.0.4 platform

interface: Tunnel0
    Crypto map tag: Tunnel0-head-0, local addr 33.0.0.3

protected vrf: (none)
local ident (addr/mask/prot/port): (33.0.0.3/255.255.255.255/47/0)
remote ident (addr/mask/prot/port): (33.0.0.4/255.255.255.255/47/0)
current_peer 33.0.0.4 port 500
    PERMIT, flags={origin_is_acl,}
    #pkts encaps: 190, #pkts encrypt: 190, #pkts digest: 190

```

```

#pkts decaps: 190, #pkts decrypt: 190, #pkts verify: 190
#pkts compressed: 0, #pkts decompressed: 0
#pkts not compressed: 0, #pkts compr. failed: 0
#pkts not decompressed: 0, #pkts decompress failed: 0
#send errors 0, #rcv errors 0

local crypto endpt.: 33.0.0.3, remote crypto endpt.: 33.0.0.4
plaintext mtu 1438, path mtu 1500, ip mtu 1500, ip mtu idb GigabitEthernet2
current outbound spi: 0xA4A5244(172642884)
PFS (Y/N): N, DH group: none

inbound esp sas:
spi: 0xBCD8840(198019136)
transform: esp-aes esp-sha256-hmac ,
in use settings =(Tunnel, )
conn id: 2169, flow_id: CSR:169, sibling_flags FFFFFFFF80004048, crypto map:
Tunnel0-head-0
sa timing: remaining key lifetime (k/sec): (4607985/3255)
IV size: 16 bytes
replay detection support: Y
Status: ACTIVE(ACTIVE)

inbound ah sas:

inbound pcp sas:

outbound esp sas:
spi: 0xA4A5244(172642884)
transform: esp-aes esp-sha256-hmac ,
in use settings =(Tunnel, )
conn id: 2170, flow_id: CSR:170, sibling_flags FFFFFFFF80004048, crypto map:
Tunnel0-head-0
sa timing: remaining key lifetime (k/sec): (4607989/3255)
IV size: 16 bytes
replay detection support: Y
Status: ACTIVE(ACTIVE)

outbound ah sas:

outbound pcp sas:

```

Additional References

The following sections provide references related to IPsec Anti-Replay Window: Expanding and Disabling.

Related Documents

Related Topic	Document Title
Cisco IOS commands	Cisco IOS Security Command Reference
IP security and encryption	Configuring Security for VPNs with IPsec

Standards

Standards	Title
No new or modified standards are supported by this feature, and support for existing standards has not been modified by this feature.	--

MIBs

MIBs	MIBs Link
No new or modified MIBs are supported by this feature, and support for existing MIBs has not been modified by this feature.	To locate and download MIBs for selected platforms, Cisco IOS XE releases, and feature sets, use Cisco MIB Locator found at the following URL: http://www.cisco.com/go/mibs

RFCs

RFCs	Title
No new or modified RFCs are supported by this feature, and support for existing RFCs has not been modified by this feature.	--

Technical Assistance

Description	Link
<p>The Cisco Support website provides extensive online resources, including documentation and tools for troubleshooting and resolving technical issues with Cisco products and technologies.</p> <p>To receive security and technical information about your products, you can subscribe to various services, such as the Product Alert Tool (accessed from Field Notices), the Cisco Technical Services Newsletter, and Really Simple Syndication (RSS) Feeds.</p> <p>Access to most tools on the Cisco Support website requires a Cisco.com user ID and password.</p>	http://www.cisco.com/techsupport

Feature Information for IPsec Anti-Replay Window Expanding and Disabling

The following table provides release information about the feature or features described in this module. This table lists only the software release that introduced support for a given feature in a given software release train. Unless noted otherwise, subsequent releases of that software release train also support that feature.

Use Cisco Feature Navigator to find information about platform support and Cisco software image support. To access Cisco Feature Navigator, go to www.cisco.com/go/cfn. An account on Cisco.com is not required.

Table 1: Feature Information for IPsec Anti-Replay Window: Expanding and Disabling

Feature Name	Releases	Feature Information
IPsec Anti-Replay Window: Expanding and Disabling	Cisco IOS XE Release 2.1	<p>Cisco IP security (IPsec) authentication provides anti-replay protection against an attacker duplicating encrypted packets by assigning a unique sequence number to each encrypted packet. The decryptor keeps track of which packets it has seen on the basis of these numbers. Currently, the default window size is 64 packets. Generally, this number (window size) is sufficient, but there are times when you may want to expand this window size. The IPsec Anti-Replay Window: Expanding and Disabling feature allows you to expand the window size, allowing the decryptor to keep track of more than 64 packets.</p> <p>The following commands were introduced or modified: crypto ipsec security-association replay disable, ipsec security-association replay window-size, security-association replay disable, security-association replay window-size.</p>
IPSec anti-replay should work when QoS is enabled in CSR platforms.	Cisco IOS XE Release 16.6.1	<p>This feature enables support for IPSec anti-replay mechanism when QoS is enabled in Cisco Cloud Services Router 1000V Series.</p> <p>The following commands were introduced or modified: show platform hardware qfp active feature ipsec, show platform software ipsec fp active flow, show crypto ipsec sa.</p>
IPSec anti-replay should work when QoS is enabled in ISR 4300/4200 platforms.	Cisco IOS XE Release 16.7.1	<p>This feature ensures that IPSec anti-replay mechanism works when QoS is enabled in ISR platforms except ISR 44xx.</p>
Anti-replay QoS/IPSec packet loss avoidance	Cisco IOS XE Release 16.8.1	<p>This feature avoids IPSec anti-replay packet drops when QoS is used with IPSec anti-replay enabled.</p> <p>This support is added on Octeon-based ASR platforms only.</p>



CHAPTER 3

Pre-Fragmentation for IPsec VPNs

The Pre-Fragmentation for IPsec VPNs feature increases performance between Cisco IOS XE routers and VPN clients by delivering encryption throughput at maximum encryption hardware accelerator speeds for packets that are near the maximum transmission unit (MTU) size. Packets are fragmented into equally sized units to prevent further downstream fragmentation.

- [Finding Feature Information, on page 17](#)
- [Restrictions for Pre-Fragmentation for IPsec VPNs, on page 17](#)
- [Information About Pre-Fragmentation for IPsec VPNs, on page 18](#)
- [How to Configure Pre-Fragmentation for IPsec VPNs, on page 19](#)
- [Additional References, on page 20](#)
- [Feature Information for Pre-Fragmentation for IPsec VPNs, on page 21](#)

Finding Feature Information

Your software release may not support all the features documented in this module. For the latest caveats and feature information, see [Bug Search Tool](#) and the release notes for your platform and software release. To find information about the features documented in this module, and to see a list of the releases in which each feature is supported, see the feature information table.

Use Cisco Feature Navigator to find information about platform support and Cisco software image support. To access Cisco Feature Navigator, go to www.cisco.com/go/cfn. An account on Cisco.com is not required.

Restrictions for Pre-Fragmentation for IPsec VPNs

Take the following information into consideration before this feature is configured:

- Pre-fragmentation for IPsec VPNs operates in IPsec tunnel mode and IPsec tunnel mode with GRE, but not with IPsec transport mode.
- Pre-fragmentation for IPsec VPNs configured on the decrypting router in a unidirectional traffic scenario does not improve the performance or change the behavior of either of the peers.
- Pre-fragmentation for IPsec VPNs occurs before the transform is applied if compression is turned on for outgoing packets.
- Pre-fragmentation for IPsec VPNs functionality depends on the egress interface **crypto ipsec df-bit** configuration and the incoming packet “do not fragment” (DF) bit state. See the table below.

Table 2: Pre-Fragmentation for IPsec VPNs Dependencies

Pre-Fragmentation for IPsec VPNs Feature State (Enabled/Disabled)	Egress Interface "crypto ipsec df-bit" Configuration	Incoming Packet DF Bit State	Result
Enabled	crypto ipsec df-bit clear	0	Fragmentation occurs before encryption.
Enabled	crypto ipsec df-bit clear	1	Fragmentation occurs before encryption.
Disabled	crypto ipsec df-bit clear	0	Fragmentation occurs after encryption and packets are reassembled before decryption.
Disabled	crypto ipsec df-bit clear	1	Fragmentation occurs after encryption and packets are reassembled before decryption.
Enabled	crypto ipsec df-bit set	0	Fragmentation occurs before encryption.
Enabled	crypto ipsec df-bit set	1	Packets are dropped.
Disabled	crypto ipsec df-bit set	0	Fragmentation occurs after encryption and packets are reassembled before decryption.
Disabled	crypto ipsec df-bit set	1	Packets are dropped.
Enabled	crypto ipsec df-bit copy	0	Fragmentation occurs before encryption.
Enabled	crypto ipsec df-bit copy	1	Packets are dropped.
Disabled	crypto ipsec df-bit copy	0	Fragmentation occurs after encryption, and packets are reassembled before decryption.
Disabled	crypto ipsec df-bit copy	1	Packets are dropped.

Information About Pre-Fragmentation for IPsec VPNs

Pre-fragmentation for IPsec VPNs

When a packet is nearly the size of the MTU of the outbound link of the encrypting router and it is encapsulated with IPsec headers, it is likely to exceed the MTU of the outbound link. This causes packet fragmentation after encryption. The decrypting router must then reassemble these packets in the process path, which decreases the decrypting router's performance.

The Pre-fragmentation for IPsec VPNs feature increases the decrypting router's performance by enabling it to operate in the high-performance CEF path instead of the process path. An encrypting router can predetermine the encapsulated packet size from information available in transform sets, which are configured as part of the

IPsec security association (SA). If it is predetermined that the packet exceeds the MTU of the output interface, the packet is fragmented before encryption. This function avoids process-level reassembly before decryption and helps improve decryption performance and overall IPsec traffic throughput.



Note The pre-fragmentation feature is turned off by default for tunnel interfaces. To receive pre-fragmentation performance benefits, turn pre-fragmentation on after ensuring that the tunnel interfaces have the same MTU on both ends.

Crypto maps are no longer used to define fragmentation behavior that occurred before and after encryption. Now, IPsec Virtual Tunnel Interface (also referred to as Virtual-Template interface) (VTI) fragmentation behavior is determined by the IP MTU settings that are configured on the VTI.

See the IPsec Virtual Tunnel Interface feature document for more information on VTIs.



Note If fragmentation after-encryption behavior is desired, then set the VTI IP MTU to a value that is greater than the egress router interface IP MTU. Use the **show ip interface tunnel** command to display the IP MTU value.

How to Configure Pre-Fragmentation for IPsec VPNs

Configuring Pre-Fragmentation for IPsec VPNs

Perform this task to configure Pre-Fragmentation for IPsec VPNs.

SUMMARY STEPS

1. **enable**
2. **configure terminal**
3. **interface** *type number*
4. **ip mtu** *bytes*

DETAILED STEPS

	Command or Action	Purpose
Step 1	enable Example: Router> enable	Enables privileged EXEC mode. <ul style="list-style-type: none"> • Enter your password if prompted.
Step 2	configure terminal Example: Router# configure terminal	Enters global configuration mode.

	Command or Action	Purpose
Step 3	interface <i>type number</i> Example: <pre>Router(config-if)# interface tunnel0</pre>	Specifies the interface on which the VTI is configured and enters interface configuration mode.
Step 4	ip mtu <i>bytes</i> Example: <pre>Router(config-if)# ip mtu 1500</pre> Example:	Specifies the VTI MTU size in bytes of IP packets on the egress interface for IPsec VPNs. Note If after-encryption fragmentation behavior is desired, then set the VTI IP MTU to a value that is greater than the egress router interface IP MTU. Use the show ip interface tunnel command to display the IP MTU value.

Additional References

Related Documents

Related Topic	Document Title
Cisco IOS XE commands	Cisco IOS Master Commands List, All Releases
Security commands	Cisco IOS Security Command Reference
IPsec	IPsec Virtual Tunnel Interface feature document

MIBs

MIB	MIBs Link
None	To locate and download MIBs for selected platforms, Cisco software releases, and feature sets, use Cisco MIB Locator found at the following URL: http://www.cisco.com/go/mibs

Technical Assistance

Description	Link
The Cisco Support and Documentation website provides online resources to download documentation, software, and tools. Use these resources to install and configure the software and to troubleshoot and resolve technical issues with Cisco products and technologies. Access to most tools on the Cisco Support and Documentation website requires a Cisco.com user ID and password.	http://www.cisco.com/cisco/web/support/index.html

Feature Information for Pre-Fragmentation for IPsec VPNs

The following table provides release information about the feature or features described in this module. This table lists only the software release that introduced support for a given feature in a given software release train. Unless noted otherwise, subsequent releases of that software release train also support that feature.

Use Cisco Feature Navigator to find information about platform support and Cisco software image support. To access Cisco Feature Navigator, go to www.cisco.com/go/cfn. An account on Cisco.com is not required.

Table 3: Feature Information for Pre-Fragmentation for IPsec VPNs

Feature Name	Releases	Feature Information
Pre-Fragmentation for IPsec VPNs	Cisco IOS XE 2.1	<p>This feature increases performance between Cisco IOS routers and VPN clients by delivering encryption throughput at maximum encryption hardware accelerator speeds for packets that are near the maximum transmission unit (MTU) size. Packets are fragmented into equally sized units to prevent further downstream fragmentation.</p> <p>The following command was introduced or modified: ip mtu (interface configuration) .</p>



CHAPTER 4

Invalid Security Parameter Index Recovery

When an invalid security parameter index error (shown as “Invalid SPI”) occurs in IP Security (IPsec) packet processing, the Invalid Security Parameter Index Recovery feature allows for an Internet Key Exchange (IKE) security association (SA) to be established. The “IKE” module sends notification of the “Invalid SPI” error to the originating IPsec peer so that Security Association Databases (SADBs) can be resynchronized and successful packet processing can be resumed.

- [Finding Feature Information, on page 23](#)
- [Prerequisites for Invalid Security Parameter Index Recovery, on page 23](#)
- [Restrictions for Invalid Security Parameter Index Recovery, on page 24](#)
- [Information About Invalid Security Parameter Index Recovery, on page 24](#)
- [How to Configure Invalid Security Parameter Index Recovery, on page 24](#)
- [Configuration Examples for Invalid SecurityParameter Index Recovery, on page 31](#)
- [Additional References, on page 36](#)
- [Feature Information for Invalid Security ParameterIndex Recovery, on page 37](#)

Finding Feature Information

Your software release may not support all the features documented in this module. For the latest caveats and feature information, see [Bug Search Tool](#) and the release notes for your platform and software release. To find information about the features documented in this module, and to see a list of the releases in which each feature is supported, see the feature information table.

Use Cisco Feature Navigator to find information about platform support and Cisco software image support. To access Cisco Feature Navigator, go to www.cisco.com/go/cfn. An account on Cisco.com is not required.

Prerequisites for Invalid Security Parameter Index Recovery

Before configuring the Invalid Security Parameter Index Recovery feature, you must have enabled IKE and IPsec on your router.

Restrictions for Invalid Security Parameter Index Recovery

If an IKE SA is being initiated to notify an IPsec peer of an “Invalid SPI” error, there is the risk that a denial-of-service (DoS) attack can occur. The Invalid Security Parameter Index Recovery feature has a built-in mechanism to minimize such a risk, but because there is a risk, the Invalid Security Parameter Index Recovery feature is not enabled by default. You must enable the command using command-line interface (CLI).

Information About Invalid Security Parameter Index Recovery

How the Feature Works

An IPsec “black hole” occurs when one IPsec peer “dies” (for example, a peer can “die” if a reboot occurs or if an IPsec peer somehow gets reset). Because one of the peers (the receiving peer) is completely reset, it loses its IKE SA with the other peer. Generally, when an IPsec peer receives a packet for which it cannot find an SA, it tries to send an IKE “INVALID SPI NOTIFY” message to the data originator. This notification is sent using the IKE SA. If there is no IKE SA available, the receiving peer drops the packet.

**Note**

A single SA has only two peers. However, a SADB can have multiple SAs, whereby each SA has an association with a different peer.

When an invalid security parameter index (SPI) is encountered, the Invalid Security Parameter Index feature provides for the setting up of an IKE SA with the originator of the data, and the IKE “INVALID SPI NOTIFY” message is sent. The peer that originated the data “sees” the “INVALID SPI NOTIFY” message and deletes the IPsec SA that has the invalid SPI. If there is further traffic from the originating peer, there will not be any IPsec SAs, and new SAs will be set up. Traffic will flow again. The default behavior (that is, without configuring the Invalid Security Parameter Index Recovery feature) is that the data packet that caused the invalid SPI error is dropped. The originating peer keeps on sending the data using the IPsec SA that has the invalid SPI, and the receiving peer keeps dropping the traffic (thus creating the “black hole”).

The IPsec module uses the IKE module to send an IKE “INVALID SPI NOTIFY” message to the other peer. Once the invalid SPI recovery is in place, there should not be any significant dropping of packets although the IPsec SA setup can itself result in the dropping of a few packets.

To configure your router for the Invalid Security Parameter Index Recovery feature, use the **crypto isakmp invalid-spi-recovery** command. The IKE SA will not be initiated unless you have configured this command.

How to Configure Invalid Security Parameter Index Recovery

Configuring Invalid Security Parameter Index Recovery

To configure the Invalid Security Parameter Index Recovery feature, perform the following steps.

SUMMARY STEPS

1. `enable`
2. `configure terminal`
3. `crypto isakmp invalid-spi-recovery`

DETAILED STEPS

	Command or Action	Purpose
Step 1	enable Example: <pre>Router> enable</pre>	Enables privileged EXEC mode. <ul style="list-style-type: none"> • Enter your password if prompted.
Step 2	configure terminal Example: <pre>Router# configure terminal</pre>	Enters global configuration mode.
Step 3	crypto isakmp invalid-spi-recovery Example: <pre>Router (config)# crypto isakmp invalid-spi-recovery</pre>	Initiates the IKE module process whereby the IKE module notifies the receiving peer that an “Invalid SPI” error has occurred.

Verifying a Preshared Configuration

To determine the status of the IPsec SA for traffic between two peers, you can use the **show crypto ipsec sa** command. If the IPsec SA is available on one peer and not on the other, there is a “black hole” situation, in which case you will see the invalid SPI errors being logged for the receiving peer. If you turn console logging on or check the syslog server, you will see that these errors are also being logged.

The diagram below shows the topology of a typical preshared configuration setup. Host 1 is the initiating peer (initiator), and Host 2 is the receiving peer (responder).

Figure 1: Preshared Configuration Topology

SUMMARY STEPS

1. Initiate the IKE and IPsec SAs between Host 1 and Host 2
2. Clear the IKE and IPsec SAs on Router B
3. Send traffic from Host 1 to Host 2 and ensure that new IKE and IPsec SAs are correctly established
4. Check for an invalid SPI message on Router B

DETAILED STEPS

-
- Step 1** Initiate the IKE and IPsec SAs between Host 1 and Host 2
- Router A**

Example:

```
Router# show crypto isakmp sa
  f_vrf/i_vrf  dst          src          state      conn-id slot
  / 10.2.2.2          10.1.1.1    QM_IDLE    1         0
```

Router B**Example:**

```
Router# show crypto isakmp sa
  f_vrf/i_vrf  dst          src          state      conn-id slot
  / 10.1.1.1    10.2.2.2    QM_IDLE    1         0
```

Router A**Example:**

```
Router# show crypto ipsec sa interface fastethernet0/0
interface: FastEthernet0/0
  Crypto map tag: testtag1, local addr. 10.1.1.1
  protected vrf:
  local ident (addr/mask/prot/port): (10.0.0.1/255.255.255.255/0/0)
  remote ident (addr/mask/prot/port): (10.0.2.2/255.255.255.255/0/0)
  current_peer: 10.2.2.2:500
    PERMIT, flags={origin_is_acl,}
    #pkts encaps: 10, #pkts encrypt: 10, #pkts digest: 10
    #pkts decaps: 10, #pkts decrypt: 10, #pkts verify: 10
    #pkts compressed: 0, #pkts decompressed: 0
    #pkts not compressed: 0, #pkts compr. failed: 0
    #pkts not decompressed: 0, #pkts decompress failed: 0
    #send errors 0, #rcv errors 0
    local crypto endpt.: 10.1.1.1, remote crypto endpt.: 10.2.2.2
    path mtu 1500, media mtu 1500
    current outbound spi: 7AA69CB7
  inbound esp sas:
    spi: 0x249C5062(614223970)
      transform: esp-des esp-sha-hmac ,
      in use settings ={Tunnel, }
      slot: 0, conn id: 5123, flow_id: 1, crypto map: testtag1
      crypto engine type: Hardware
      sa timing: remaining key lifetime (k/sec): (4537831/3595)
      IV size: 8 bytes
      replay detection support: Y
  inbound ah sas:
    spi: 0xB16D1587(2976716167)
      transform: ah-sha-hmac ,
      in use settings ={Tunnel, }
      slot: 0, conn id: 5121, flow_id: 1, crypto map: testtag1
      crypto engine type: Hardware
      sa timing: remaining key lifetime (k/sec): (4537831/3595)
      replay detection support: Y
  inbound pcp sas:
  outbound esp sas:
    spi: 0x7AA69CB7(2057739447)
      transform: esp-des esp-sha-hmac ,
      in use settings ={Tunnel, }
      slot: 0, conn id: 5124, flow_id: 2, crypto map: testtag1
      crypto engine type: Hardware
      sa timing: remaining key lifetime (k/sec): (4537835/3595)
      IV size: 8 bytes
      replay detection support: Y
  outbound ah sas:
```

```

spi: 0x1214F0D(18960141)
  transform: ah-sha-hmac ,
  in use settings ={Tunnel, }
  slot: 0, conn id: 5122, flow_id: 2, crypto map: testtag1
  crypto engine type: Hardware
  sa timing: remaining key lifetime (k/sec): (4537835/3594)
  replay detection support: Y
outbound pcp sas:

```

Router B

Example:

```

Router# show crypto ipsec sa interface FastEthernet1/0
interface: FastEthernet1/0
  Crypto map tag: testtag1, local addr. 10.2.2.2
  protected vrf:
  local ident (addr/mask/prot/port): (10.0.2.2/255.255.255.255/0/0)
  remote ident (addr/mask/prot/port): (10.0.0.1/255.255.255.255/0/0)
  current_peer: 10.1.1.1:500
    PERMIT, flags={origin_is_acl,}
    #pkts encaps: 10, #pkts encrypt: 10, #pkts digest: 10
    #pkts decaps: 10, #pkts decrypt: 10, #pkts verify: 10
    #pkts compressed: 0, #pkts decompressed: 0
    #pkts not compressed: 0, #pkts compr. failed: 0
    #pkts not decompressed: 0, #pkts decompress failed: 0
    #send errors 0, #recv errors 0
    local crypto endpt.: 10.2.2.2, remote crypto endpt.: 10.1.1.1
    path mtu 1500, media mtu 1500
    current outbound spi: 249C5062
  inbound esp sas:
    spi: 0x7AA69CB7(2057739447)
      transform: esp-des esp-sha-hmac ,
      in use settings ={Tunnel, }
      slot: 0, conn id: 5123, flow_id: 1, crypto map: testtag1
      crypto engine type: Hardware
      sa timing: remaining key lifetime (k/sec): (4421281/3593)
      IV size: 8 bytes
      replay detection support: Y
  inbound ah sas:
    spi: 0x1214F0D(18960141)
      transform: ah-sha-hmac ,
      in use settings ={Tunnel, }
      slot: 0, conn id: 5121, flow_id: 1, crypto map: testtag1
      crypto engine type: Hardware
      sa timing: remaining key lifetime (k/sec): (4421281/3593)
      replay detection support: Y
  inbound pcp sas:
  outbound esp sas:
    spi: 0x249C5062(614223970)
      transform: esp-des esp-sha-hmac ,
      in use settings ={Tunnel, }
      slot: 0, conn id: 5124, flow_id: 2, crypto map: testtag1
      crypto engine type: Hardware
      sa timing: remaining key lifetime (k/sec): (4421285/3593)
      IV size: 8 bytes
      replay detection support: Y
  outbound ah sas:
    spi: 0xB16D1587(2976716167)
      transform: ah-sha-hmac ,
      in use settings ={Tunnel, }
      slot: 0, conn id: 5122, flow_id: 2, crypto map: testtag1
      crypto engine type: Hardware
      sa timing: remaining key lifetime (k/sec): (4421285/3592)

```

Verifying a Preshared Configuration

```
replay detection support: Y
outbound pcp sas:
```

Step 2 Clear the IKE and IPsec SAs on Router B**Example:**

```
Router# clear crypto isakmp
Router# clear crypto sa
Router# show crypto isakmp sa
  f_vrf/i_vrf  dst          src          state          conn-id slot
  /           /          /            /            /
             /    10.2.2.2.   /    10.1.1.1   MM_NO_STATE    1        0 (deleted)
Router# show crypto ipsec sa
interface: FastEthernet1/0
  Crypto map tag: testtag1, local addr. 10.2.2.2
  protected vrf:
  local ident (addr/mask/prot/port): (10.0.2.2/255.255.255.255/0/0)
  remote ident (addr/mask/prot/port): (10.0.0.1/255.255.255.255/0/0)
  current_peer: 10.1.1.1:500
    PERMIT, flags={origin_is_acl,}
    #pkts encaps: 0, #pkts encrypt: 0, #pkts digest: 0
    #pkts decaps: 0, #pkts decrypt: 0, #pkts verify: 0
    #pkts compressed: 0, #pkts decompressed: 0
    #pkts not compressed: 0, #pkts compr. failed: 0
    #pkts not decompressed: 0, #pkts decompress failed: 0
    #send errors 0, #recv errors 0
    local crypto endpt.: 10.2.2.2, remote crypto endpt.: 10.1.1.1
    path mtu 1500, media mtu 1500
    current outbound spi: 0
  inbound esp sas:
  inbound ah sas:
  inbound pcp sas:
  outbound esp sas:
  outbound ah sas:
  outbound pcp sas:
```

Step 3 Send traffic from Host 1 to Host 2 and ensure that new IKE and IPsec SAs are correctly established**Example:**

```
ping
Protocol [ip]: ip
Target IP address: 10.0.2.2
Repeat count [5]: 30
Datagram size [100]: 100
Timeout in seconds [2]:
Extended commands [n]: no
Sweep range of sizes [n]: n
Type escape sequence to abort.
Sending 30, 100-byte ICMP Echos to 10.0.2.2, timeout is 2 seconds:
..!!!!!!!!!!!!!!!!!!!!!!!!!!!!!!!!!!!!
Success rate is 93 percent (28/30), round-trip min/avg/max = 1/3/8 ms
RouterB# show crypto isakmp sa
  f_vrf/i_vrf  dst          src          state          conn-id slot
  /           /          /            /            /
             /    10.1.1.1   /    10.2.2.2   QM_IDLE        3        0
             /    10.1.1.1   /    10.2.2.2   MM_NO_STATE    1        0 (deleted)
RouterB# show crypto ipsec sa
interface: FastEthernet1/0
  Crypto map tag: testtag1, local addr. 10.2.2.2
  protected vrf:
  local ident (addr/mask/prot/port): (10.0.2.2/255.255.255.255/0/0)
  remote ident (addr/mask/prot/port): (10.0.0.1/255.255.255.255/0/0)
  current_peer: 10.1.1.1:500
```

```

PERMIT, flags={origin_is_acl,}
#pkts encaps: 28, #pkts encrypt: 28, #pkts digest: 28
#pkts decaps: 28, #pkts decrypt: 28, #pkts verify: 28
#pkts compressed: 0, #pkts decompressed: 0
#pkts not compressed: 0, #pkts compr. failed: 0
#pkts not decompressed: 0, #pkts decompress failed: 0
#send errors 0, #recv errors 0
local crypto endpt.: 10.2.2.2, remote crypto endpt.: 10.1.1.1
path mtu 1500, media mtu 1500
current outbound spi: D763771F
inbound esp sas:
  spi: 0xE7AB4256(3886760534)
    transform: esp-des esp-sha-hmac ,
    in use settings ={Tunnel, }
    slot: 0, conn id: 5127, flow_id: 3, crypto map: testtag1
    crypto engine type: Hardware
    sa timing: remaining key lifetime (k/sec): (4502463/3596)
    IV size: 8 bytes
    replay detection support: Y
inbound ah sas:
  spi: 0xF9205CED(4179647725)
    transform: ah-sha-hmac ,
    in use settings ={Tunnel, }
    slot: 0, conn id: 5125, flow_id: 3, crypto map: testtag1
    crypto engine type: Hardware
    sa timing: remaining key lifetime (k/sec): (4502463/3596)
    replay detection support: Y
inbound pcp sas:
outbound esp sas:
  spi: 0xD763771F(3613619999)
    transform: esp-des esp-sha-hmac ,
    in use settings ={Tunnel, }
    slot: 0, conn id: 5128, flow_id: 4, crypto map: testtag1
    crypto engine type: Hardware
    sa timing: remaining key lifetime (k/sec): (4502468/3596)
    IV size: 8 bytes
    replay detection support: Y
outbound ah sas:
  spi: 0xEB95406F(3952427119)
    transform: ah-sha-hmac ,
    in use settings ={Tunnel, }
    slot: 0, conn id: 5126, flow_id: 4, crypto map: testtag1
    crypto engine type: Hardware
    sa timing: remaining key lifetime (k/sec): (4502468/3595)
    replay detection support: Y
outbound pcp sas:
RouterA# show crypto isakmp sa
   f_vrf/i_vrf   dst          src          state          conn-id slot
   /            /            /            /              /      /
   /            10.2.2.2     10.1.1.1     MM_NO_STATE    1      0 (deleted)
   /            10.2.2.2     10.1.1.1     QM_IDLE        2      0

```

Step 4 Check for an invalid SPI message on Router B

Example:

```

Router# show logging
Syslog logging: enabled (10 messages dropped, 13 messages rate-limited, 0 flushes, 0 overruns, xml
disabled)
  Console logging: disabled
  Monitor logging: level debugging, 0 messages logged, xml disabled
  Buffer logging: level debugging, 43 messages logged, xml disabled
  Logging Exception size (8192 bytes)
  Count and timestamp logging messages: disabled
  Trap logging: level informational, 72 message lines logged

```

```

Log Buffer (8000 bytes):
*Mar 24 20:55:45.739: %CRYPTO-4-RECV_PKT_INV_SPI: decaps: rec'd IPSEC packet has invalid spi for
  destaddr=10.2.2.2, prot=51, spi=0x1214F0D(18960141), srcaddr=10.1.1.1
*Mar 24 20:55:47.743: IPSEC(validate_proposal_request): proposal part #1,
  (key eng. msg.) INBOUND local= 10.2.2.2, remote= 10.1.1.1,
  local_proxy= 10.0.2.2/255.255.255.255/0/0 (type=1),
  remote_proxy= 10.0.0.1/255.255.255.255/0/0 (type=1),
  protocol= AH, transform= ah-sha-hmac ,
  lifedur= 0s and 0kb,
  spi= 0x0(0), conn_id= 0, keysize= 0, flags= 0x2
*Mar 24 20:55:47.743: IPSEC(validate_proposal_request): proposal part #2,
  (key eng. msg.) INBOUND local= 10.2.2.2, remote= 10.1.1.1,
  local_proxy= 10.0.2.2/255.255.255.255/0/0 (type=1),
  remote_proxy= 10.0.0.1/255.255.255.255/0/0 (type=1),
  protocol= ESP, transform= esp-des esp-sha-hmac ,
  lifedur= 0s and 0kb,
  spi= 0x0(0), conn_id= 0, keysize= 0, flags= 0x2
*Mar 24 20:55:47.743: IPSEC(kei_proxy): head = testtag1, map->ivrf = , kei->ivrf =
*Mar 24 20:55:47.743: IPSEC(key_engine): got a queue event with 2 kei messages
*Mar 24 20:55:47.743: IPSEC(spi_response): getting spi 4179647725 for SA
  from 10.2.2.2 to 10.1.1.1 for prot 2
*Mar 24 20:55:47.747: IPSEC(spi_response): getting spi 3886760534 for SA
  from 10.2.2.2 to 10.1.1.1 for prot 3
*Mar 24 20:55:48.071: IPSEC: Flow_switching Allocated flow for flow_id 939524099
*Mar 24 20:55:48.071: IPSEC: Flow_switching Allocated flow for flow_id 939524100
*Mar 24 20:55:48.135: IPSEC(key_engine): got a queue event with 4 kei messages
*Mar 24 20:55:48.135: IPSEC(initialize_sas): ,
  (key eng. msg.) INBOUND local= 10.2.2.2, remote= 10.1.1.1,
  local_proxy= 10.0.2.2/0.0.0.0/0/0 (type=1),
  remote_proxy= 10.0.0.1/0.0.0.0/0/0 (type=1),
  protocol= AH, transform= ah-sha-hmac ,
  lifedur= 3600s and 4608000kb,
  spi= 0xF9205CED(4179647725), conn_id= 939529221, keysize= 0, flags= 0x2
*Mar 24 20:55:48.135: IPSEC(initialize_sas): ,
  (key eng. msg.) OUTBOUND local= 10.2.2.2, remote= 10.1.1.1,
  local_proxy= 10.0.2.2/0.0.0.0/0/0 (type=1),
  remote_proxy= 10.0.0.1/0.0.0.0/0/0 (type=1),
  protocol= AH, transform= ah-sha-hmac ,
  lifedur= 3600s and 4608000kb,
  spi= 0xEB95406F(3952427119), conn_id= 939529222, keysize= 0, flags= 0xA
*Mar 24 20:55:48.135: IPSEC(initialize_sas): ,
  (key eng. msg.) INBOUND local= 10.2.2.2, remote= 10.1.1.1,
  local_proxy= 10.0.2.2/0.0.0.0/0/0 (type=1),
  remote_proxy= 10.0.0.1/0.0.0.0/0/0 (type=1),
  protocol= ESP, transform= esp-des esp-sha-hmac ,
  lifedur= 3600s and 4608000kb,
  spi= 0xE7AB4256(3886760534), conn_id= 939529223, keysize= 0, flags= 0x2
*Mar 24 20:55:48.135: IPSEC(initialize_sas): ,
  (key eng. msg.) OUTBOUND local= 10.2.2.2, remote= 10.1.1.1,
  local_proxy= 10.0.2.2/0.0.0.0/0/0 (type=1),
  remote_proxy= 10.0.0.1/0.0.0.0/0/0 (type=1),
  protocol= ESP, transform= esp-des esp-sha-hmac ,
  lifedur= 3600s and 4608000kb,
  spi= 0xD763771F(3613619999), conn_id= 939529224, keysize= 0, flags= 0xA
*Mar 24 20:55:48.139: IPSEC(kei_proxy): head = testtag1, map->ivrf = , kei->ivrf =
*Mar 24 20:55:48.139: IPSEC(mtree_add_ident): src 10.2.2.2, dest 10.1.1.1, dest_port 0
*Mar 24 20:55:48.139: IPSEC(create_sa): sa created,
  (sa) sa_dest= 10.1.1.1, sa_prot= 51,
  sa_spi= 0xF9205CED(4179647725),
  sa_trans= ah-sha-hmac , sa_conn_id= 939529221
*Mar 24 20:55:48.139: IPSEC(create_sa): sa created,
  (sa) sa_dest= 10.2.2.2, sa_prot= 51,
  sa_spi= 0xEB95406F(3952427119),
  sa_trans= ah-sha-hmac , sa_conn_id= 939529222

```

```
*Mar 24 20:55:48.139: IPSEC(create_sa): sa created,
(sa) sa_dest= 10.1.1.1, sa_prot= 50,
    sa_spi= 0xE7AB4256(3886760534),
    sa_trans= esp-des esp-sha-hmac , sa_conn_id= 939529223
*Mar 24 20:55:48.139: IPSEC(create_sa): sa created,
(sa) sa_dest= 10.2.2.2, sa_prot= 50,
    sa_spi= 0xD763771F(3613619999),
    sa_trans= esp-des esp-sha-hmac , sa_conn_id= 939529224
ipseca-72a#
```

Configuration Examples for Invalid SecurityParameter Index Recovery

Invalid Security Parameter Index Recovery Example

The following example shows that invalid security parameter index recovery has been configured on Router A and Router B. The following example shows the topology used for this example.

Router A

```
Router# show running-config
Building configuration...
Current configuration : 2048 bytes
!
version 2.1
no service pad
service timestamps debug datetime msec localtime
service timestamps log datetime msec localtime
no service password-encryption
service tcp-small-servers
!
hostname ipseca-71a
!
logging queue-limit 100
no logging console
enable secret 5 $1$4GZB$L2Y0mnenOCNAu0jgFxebT/
enable password lab
!
clock timezone PST -8
clock summer-time PDT recurring
ip subnet-zero
!
!
no ip domain lookup
!
ip cef
ip audit notify log
ip audit po max-events 100
mpls ldp logging neighbor-changes
no ftp-server write-enable
!
!
no voice hpi capture buffer
no voice hpi capture destination
```

```

!
!
crypto isakmp policy 1
 authentication pre-share
 lifetime 180
crypto isakmp key 0 1234 address 10.2.2.2
crypto isakmp invalid-spi-recovery
!
!
crypto ipsec transform-set auth2 ah-sha-hmac esp-des esp-sha-hmac
!
crypto map testtag1 10 ipsec-isakmp
 set peer 10.2.2.2
 set transform-set auth2
 match address 150
!
!
controller ISA 5/1
!
!
interface FastEthernet0/0
 ip address 10.1.1.1 255.0.0.0
 no ip route-cache cef
 duplex full
 speed 100
 crypto map testtag1
!
interface FastEthernet0/1
 ip address 10.0.0.1 255.0.0.0
 no ip route-cache cef
 duplex auto
 speed auto
!
interface Serial1/0
 no ip address
 no ip route-cache
 no ip mroute-cache
 shutdown
 serial restart_delay 0
 clockrate 128000
!
interface Serial1/1
 no ip address
 no ip route-cache
 no ip mroute-cache
 shutdown
 serial restart_delay 0
 clockrate 128000
!
interface Serial1/2
 no ip address
 no ip route-cache
 no ip mroute-cache
 shutdown
 serial restart_delay 0
!
interface Serial1/3
 no ip address
 no ip route-cache
 no ip mroute-cache
 shutdown
 no keepalive
 serial restart_delay 0
 clockrate 128000

```



```

!
ip classless
ip route 10.3.3.3 255.0.0.0 10.2.0.1
no ip http server
no ip http secure-server
!
!
access-list 150 permit ip host 10.0.0.1 host 10.0.2.2
dialer-list 1 protocol ip permit
dialer-list 1 protocol ipx permit
!
!
call rsvp-sync
!
!
mgcp profile default
!
!
line con 0
  exec-timeout 0 0
line aux 0
line vty 0 4
  password lab
  login
!
!
end
ipseca-71a#

```

Router B

```

Router# show running-config
Building configuration...
Current configuration : 2849 bytes
!
version 2.1
no service pad
service timestamps debug datetime msec localtime
service timestamps log datetime msec localtime
no service password-encryption
service udp-small-servers
service tcp-small-servers
!
hostname ipseca-72a
!
logging queue-limit 100
no logging console
enable secret 5 $1$kKqL$5Th5Qhw1ubDkkK90KWFxi1
enable password lab
!
clock timezone PST -8
clock summer-time PDT recurring
ip subnet-zero
!
!
no ip domain lookup
!
ip cef
ip audit notify log
ip audit po max-events 100
mpls ldp logging neighbor-changes
no ftp-server write-enable
!

```

```

!
no voice hpi capture buffer
no voice hpi capture destination
!
!
mta receive maximum-recipients 0
!
!
crypto isakmp policy 1
  authentication pre-share
  lifetime 180
crypto isakmp key 0 1234 address 10.1.1.1
crypto isakmp invalid-spi-recovery
!
!
crypto ipsec transform-set auth2 ah-sha-hmac esp-des esp-sha-hmac
!
crypto map testtag1 10 ipsec-isakmp
  set peer 10.1.1.1
  set transform-set auth2
  match address 150
!
!
controller ISA 5/1
!
!
interface FastEthernet0/0
  no ip address
  no ip route-cache
  no ip mroute-cache
  shutdown
  duplex half
!
interface FastEthernet1/0
  ip address 10.2.2.2 255.0.0.0
  no ip route-cache cef
  duplex half
  crypto map testtag1
!
interface FastEthernet1/1
  ip address 10.0.2.2 255.0.0.0
  no ip route-cache cef
  duplex half
!
interface FastEthernet1/2
  no ip address
  no ip route-cache
  no ip mroute-cache
  shutdown
  duplex half
!
interface FastEthernet1/3
  no ip address
  no ip route-cache
  no ip mroute-cache
  shutdown
  duplex half
!
interface FastEthernet1/4
  no ip address
  no ip route-cache
  no ip mroute-cache
  shutdown
  duplex half

```

```
!  
interface FastEthernet1/5  
  no ip address  
  no ip route-cache  
  no ip mroute-cache  
  shutdown  
  duplex half  
!  
interface FastEthernet1/6  
  no ip address  
  no ip route-cache  
  no ip mroute-cache  
  shutdown  
  duplex half  
!  
interface FastEthernet1/7  
  no ip address  
  no ip route-cache  
  no ip mroute-cache  
  shutdown  
  duplex half  
!  
interface Serial3/0  
  no ip address  
  no ip route-cache  
  no ip mroute-cache  
  shutdown  
  serial restart_delay 0  
!  
interface Serial3/1  
  no ip address  
  no ip route-cache  
  no ip mroute-cache  
  shutdown  
  serial restart_delay 0  
  clockrate 128000  
!  
interface Serial3/2  
  no ip address  
  no ip route-cache  
  no ip mroute-cache  
  shutdown  
  serial restart_delay 0  
!  
interface Serial3/3  
  no ip address  
  no ip route-cache  
  no ip mroute-cache  
  shutdown  
  no keepalive  
  serial restart_delay 0  
  clockrate 128000  
!  
ip classless  
ip route 10.0.0.0 255.0.0.0 10.2.0.1  
no ip http server  
no ip http secure-server  
!  
!  
access-list 150 permit ip host 10.0.2.2 host 10.0.0.1  
dialer-list 1 protocol ip permit  
dialer-list 1 protocol ipx permit  
!  
!
```

```

call rsvp-sync
!
!
mgcp profile default
!
dial-peer cor custom
!
!
gatekeeper
shutdown
!
!
line con 0
exec-timeout 0 0
stopbits 1
line aux 0
stopbits 1
line vty 0 4
password lab
login
!
!
end

```

Additional References

The following sections provide references relate to Invalid Security Parameter Index Recovery.

Related Documents

Related Topic	Document Title
Configuring IKE	Configuring Internet Key Exchange for IPsec VPNs
Interface commands	Cisco IOS Master Command List

Standards

Standards	Title
No new or modified standards are supported by this feature, and support for existing standards has not been modified by this feature.	--

MIBs

MIBs	MIBs Link
No new or modified MIBs are supported by this feature, and support for existing MIBs has not been modified by this feature.	To locate and download MIBs for selected platforms, Cisco IOS XE software releases, and feature sets, use Cisco MIB Locator found at the following URL: http://www.cisco.com/go/mibs

RFCs

RFCs	Title
No new or modified RFCs are supported by this feature, and support for existing RFCs has not been modified by this feature.	--

Technical Assistance

Description	Link
<p>The Cisco Support website provides extensive online resources, including documentation and tools for troubleshooting and resolving technical issues with Cisco products and technologies.</p> <p>To receive security and technical information about your products, you can subscribe to various services, such as the Product Alert Tool (accessed from Field Notices), the Cisco Technical Services Newsletter, and Really Simple Syndication (RSS) Feeds.</p> <p>Access to most tools on the Cisco Support website requires a Cisco.com user ID and password.</p>	http://www.cisco.com/techsupport

Feature Information for Invalid Security Parameter Index Recovery

The following table provides release information about the feature or features described in this module. This table lists only the software release that introduced support for a given feature in a given software release train. Unless noted otherwise, subsequent releases of that software release train also support that feature.

Use Cisco Feature Navigator to find information about platform support and Cisco software image support. To access Cisco Feature Navigator, go to www.cisco.com/go/cfn. An account on Cisco.com is not required.

Table 4: Feature Information for Invalid Security Parameter Index Recovery

Feature Name	Releases	Feature Information
Invalid Special Parameter Index (SPI) Recovery	Cisco IOS XE Release 2.1	<p>When an invalid SPI occurs in IPsec packet processing, the Invalid Security Parameter Index Recovery feature allows for an IKE SA to be established. The “IKE” module sends notification of the “Invalid SPI” error to the originating IPsec peer so that Security Association Databases (SADBs) can be resynchronized and successful packet processing can be resumed.</p> <p>The following command was introduced or modified: crypto isakmp invalid-spi-recovery.</p>



CHAPTER 5

IPsec Dead Peer Detection Periodic Message Option

The IPsec Dead Peer Detection Periodic Message Option feature allows you to configure your router to query the liveliness of its Internet Key Exchange (IKE) peer at regular intervals. The benefit of this approach over the default approach (on-demand dead peer detection) is earlier detection of dead peers.

- [Finding Feature Information, on page 39](#)
- [Prerequisites for IPsec Dead Peer Detection Periodic Message Option, on page 39](#)
- [Restrictions for IPsec Dead Peer Detection Periodic Message Option, on page 40](#)
- [Information About IPsec Dead Peer Detection Periodic Message Option, on page 40](#)
- [How to Configure IPsec Dead Peer Detection Periodic Message Option, on page 41](#)
- [Configuration Examples for IPsec Dead Peer Detection Periodic Message Option, on page 44](#)
- [Additional References, on page 47](#)
- [Feature Information for Dead Peer Detection Periodic Message Option, on page 48](#)

Finding Feature Information

Your software release may not support all the features documented in this module. For the latest caveats and feature information, see [Bug Search Tool](#) and the release notes for your platform and software release. To find information about the features documented in this module, and to see a list of the releases in which each feature is supported, see the feature information table.

Use Cisco Feature Navigator to find information about platform support and Cisco software image support. To access Cisco Feature Navigator, go to www.cisco.com/go/cfn. An account on Cisco.com is not required.

Prerequisites for IPsec Dead Peer Detection Periodic Message Option

Before configuring the IPsec Dead Peer Detection Periodic Message Option feature, you should have the following:

- Familiarity with configuring IP Security (IPsec).

- An IKE peer that supports DPD (dead peer detection). Implementations that support DPD include the Cisco VPN 3000 concentrator, Cisco PIX Firewall, Cisco VPN Client, and Cisco IOS XE software in all modes of operation--site-to-site and Easy VPN server.

Restrictions for IPsec Dead Peer Detection Periodic Message Option

Using periodic DPD potentially allows the router to detect an unresponsive IKE peer with better response time when compared to on-demand DPD. However, use of periodic DPD incurs extra overhead. When communicating to large numbers of IKE peers, you should consider using on-demand DPD instead.

Information About IPsec Dead Peer Detection Periodic Message Option

How DPD and Cisco IOS XE Keepalive Features Work

DPD and Cisco IOS XE keepalives function on the basis of the timer. If the timer is set for 10 seconds, the router will send a “hello” message every 10 seconds (unless, of course, the router receives a “hello” message from the peer). The benefit of IOS keepalives and periodic DPD is earlier detection of dead peers. However, IOS keepalives and periodic DPD rely on periodic messages that have to be sent with considerable frequency. The result of sending frequent messages is that the communicating peers must encrypt and decrypt more packets.

DPD also has an on-demand approach. The contrasting on-demand approach is the default. With on-demand DPD, messages are sent on the basis of traffic patterns. For example, if a router has to send outbound traffic and the liveliness of the peer is questionable, the router sends a DPD message to query the status of the peer. If a router has no traffic to send, it never sends a DPD message. If a peer is dead, and the router never has any traffic to send to the peer, the router will not find out until the IKE or IPsec security association (SA) has to be rekeyed (the liveliness of the peer is unimportant if the router is not trying to communicate with the peer). On the other hand, if the router has traffic to send to the peer, and the peer does not respond, the router will initiate a DPD message to determine the state of the peer.

Using the IPsec Dead Peer Detection Periodic Message Option

With the IPsec Dead Peer Detection Periodic Message Option feature, you can configure your router so that DPD messages are “forced” at regular intervals. This forced approach results in earlier detection of dead peers. For example, if a router has no traffic to send, a DPD message is still sent at regular intervals, and if a peer is dead, the router does not have to wait until the IKE SA times out to find out.

If you want to configure the DPD periodic message option, you should use the **crypto isakmp keepalive** command with the **periodic** keyword. If you do not configure the **periodic** keyword, the router defaults to the on-demand approach.



Note When the **crypto isakmp keepalive** command is configured, the Cisco IOS software negotiates the use of Cisco IOS keepalives or DPD, depending on which protocol the peer supports.

Using DPD and Cisco IOS XE Keepalive Features with Multiple Peers in the Crypto Map

DPD and Cisco IOS XE keepalive features can be used in conjunction with multiple peers in the crypto map to allow for stateless failover. DPD allows the router to detect a dead IKE peer, and when the router detects the dead state, the router deletes the IPsec and IKE SAs to the peer. If you configure multiple peers, the router will switch over to the next listed peer for a stateless failover.

How to Configure IPsec Dead Peer Detection Periodic Message Option

Configuring a Periodic DPD Message

To configure a periodic DPD message, perform the following steps.

SUMMARY STEPS

1. **enable**
2. **configure terminal**
3. **crypto isakmp keepalive** *seconds* [*retries*] [**periodic** | **on-demand**]

DETAILED STEPS

	Command or Action	Purpose
Step 1	enable Example: Router> enable	Enables privileged EXEC mode. <ul style="list-style-type: none"> • Enter your password if prompted.
Step 2	configure terminal Example: Router# configure terminal	Enters global configuration mode.
Step 3	crypto isakmp keepalive <i>seconds</i> [<i>retries</i>] [periodic on-demand] Example:	Allows the gateway to send DPD messages to the peer. <ul style="list-style-type: none"> • <i>seconds</i> --When the periodic keyword is used, this argument is the number of seconds between DPD messages; the range is from 10 to 3600 seconds.

	Command or Action	Purpose
	<pre>Router (config)# crypto isakmp keepalive 10 periodic</pre>	<p>When the on-demand keyword is used, this argument is the number of seconds during which traffic is not received from the peer before DPD retry messages are sent if there is data (IPSec) traffic to send; the range is from 10 to 3600 seconds.</p> <p>Note If you do not specify a time interval, an error message appears.</p> <ul style="list-style-type: none"> • <i>retry-seconds</i> --(Optional) Number of seconds between DPD retry messages if the DPD retry message is missed by the peer; the range is from 2 to 60 seconds. <p>Once 1 DPD message is missed by the peer, the router moves to a more aggressive state and sends the DPD retry message at the faster retry interval, which is the number of seconds between DPD retries if the DPD message is missed by the peer. The default DPD retry message is sent every 2 seconds. Five aggressive DPD retry messages can be missed before the tunnel is marked as down.</p> <p>Note To configure DPD with IPsec High Availability (HA), the recommendation is to use a value other than the default (which is 2 seconds). A keepalive timer of 10 seconds with 5 retries seems to work well with HA because of the time that it takes for the router to get into active mode.</p> <ul style="list-style-type: none"> • periodic --(Optional) DPD messages are sent at regular intervals. • on-demand --(Optional) The default behavior. DPD retries are sent on demand. <p>Note Because this option is the default, the on-demand keyword does not appear in configuration output.</p>

Configuring DPD and Cisco IOS XE Keepalives with Multiple Peers in the Crypto Map

To configure DPD and IOS keepalives to be used in conjunction with the crypto map to allow for stateless failover, perform the following steps. This configuration will cause a router to cycle through the peer list when it detects that the first peer is dead.

SUMMARY STEPS

1. **enable**
2. **configure terminal**

3. **crypto map** *map-name seq-num ipsec-isakmp*
4. **set peer** *{host-name [dynamic] | ip-address}*
5. **set transform-set** *transform-set-name*
6. **match address** *[access-list-id | name]*

DETAILED STEPS

	Command or Action	Purpose
Step 1	enable Example: <pre>Router> enable</pre>	Enables privileged EXEC mode. <ul style="list-style-type: none"> • Enter your password if prompted.
Step 2	configure terminal Example: <pre>Router# configure terminal</pre>	Enters global configuration mode.
Step 3	crypto map <i>map-name seq-num ipsec-isakmp</i> Example: <pre>Router (config)# crypto map green 1 ipsec-isakmp</pre>	Enters crypto map configuration mode and creates or modifies a crypto map entry. <ul style="list-style-type: none"> • The ipsec-isakmp keyword indicates that IKE will be used to establish the IPsec SAs for protecting the traffic specified by this crypto map entry.
Step 4	set peer <i>{host-name [dynamic] ip-address}</i> Example: <pre>Router (config-crypto-map)# set peer 10.12.12.12</pre>	Specifies an IPsec peer in a crypto map entry. <ul style="list-style-type: none"> • You can specify multiple peers by repeating this command.
Step 5	set transform-set <i>transform-set-name</i> Example: <pre>Router (config-crypto-map)# set transform-set txfm</pre>	Specifies which transform sets can be used with the crypto map entry. <ul style="list-style-type: none"> • You can specify more than one transform set name by repeating this command.
Step 6	match address <i>[access-list-id name]</i> Example: <pre>Router (config-crypto-map)# match address 101</pre>	Specifies an extended access list for a crypto map entry.

Verifying That DPD Is Enabled

DPD allows the router to clear the IKE state when a peer becomes unreachable. If DPD is enabled and the peer is unreachable for some time, you can use the **clear crypto session** command to manually clear IKE and IPsec SAs.

The **debug crypto isakmp** command can be used to verify that DPD is enabled.

SUMMARY STEPS

1. **enable**
2. **clear crypto session** [local *ip-address* [port *local-port*]] [remote *ip-address* [port *remote-port*]] | [fvrf *vrf-name*] [ivrf *vrf-name*]
3. **debug crypto isakmp**

DETAILED STEPS

	Command or Action	Purpose
Step 1	enable Example: Router> enable	Enables privileged EXEC mode. <ul style="list-style-type: none"> • Enter your password if prompted.
Step 2	clear crypto session [local <i>ip-address</i> [port <i>local-port</i>]] [remote <i>ip-address</i> [port <i>remote-port</i>]] [fvrf <i>vrf-name</i>] [ivrf <i>vrf-name</i>] Example: Router# clear crypto session	Deletes crypto sessions (IPsec and IKE SAs).
Step 3	debug crypto isakmp Example: Router# debug crypto isakmp	Displays messages about IKE events.

Configuration Examples for IPsec Dead Peer Detection Periodic Message Option

Site-to-Site Setup with Periodic DPD Enabled Example

The following configurations are for a site-to-site setup with periodic DPD enabled. The configurations are for the IKE Phase 1 policy and for the IKE preshared key.

IKE Phase 1 Policy

```
crypto isakmp policy 1
  encryption aes
  authentication pre-share
  group 14
!
```

IKE Preshared Key

```
crypto isakmp key kd94j1ksldz address 10.2.80.209 255.255.255.0
```

```

crypto isakmp keepalive 10 periodic
crypto ipsec transform-set Trans1 esp-aes esp-sha-hmac

!
!
interface
  ip address 10.1.32.14 255.255.255.0
  speed auto
!

```

Verifying DPD Configuration Using the debug crypto isakmp Command Example

The following sample output from the **debug crypto isakmp** command verifies that IKE DPD is enabled:

```
*Mar 25 15:17:14.131: ISAKMP:(0:1:HW:2):IKE_DPD is enabled, initializing timers
```

To see that IKE DPD is enabled (and that the peer supports DPD): when periodic DPD is enabled, you should see the following debug messages at the interval specified by the command:

```

*Mar 25 15:18:52.107: ISAKMP:(0:1:HW:2): sending packet to 10.2.80.209 my_port
500 peer_port 500 (I) QM_IDLE
*Mar 25 15:18:52.107: ISAKMP:(0:1:HW:2):purging node 899852982 *Mar 25 15:18:52.111:
ISAKMP:(0:1:HW:2):Input = IKE_MSG_FROM_TIMER,
IKE_TIMER_IM_ALIVE
*Mar 25 15:18:52.111: ISAKMP:(0:1:HW:2):Old State = IKE_P1_COMPLETE New State =
IKE_P1_COMPLETE

```

The above message corresponds to sending the DPD R_U_THERE message.

```

*Mar 25 15:18:52.123: ISAKMP (0:268435457): received packet from 10.2.80.209
dport 500 sport 500 Global (I) QM_IDLE
*Mar 25 15:18:52.123: ISAKMP: set new node -443923643 to QM_IDLE *Mar 25 15:18:52.131:
ISAKMP:(0:1:HW:2): processing HASH payload. message ID =
-443923643
*Mar 25 15:18:52.131: ISAKMP:(0:1:HW:2): processing NOTIFY R_U_THERE_ACK protocol 1
spi 0, message ID = -443923643, sa = 81BA4DD4
*Mar 25 15:18:52.135: ISAKMP:(0:1:HW:2): DPD/R_U_THERE_ACK received from peer
10.2.80.209, sequence 0x9
*Mar 25 15:18:52.135: ISAKMP:(0:1:HW:2):deleting node -443923643 error FALSE
reason "informational (in) state 1"
*Mar 25 15:18:52.135: ISAKMP:(0:1:HW:2):Input = IKE_MSG_FROM_PEER, IKE_INFO_NOTIFY *Mar
25 15:18:52.135: ISAKMP:(0:1:HW:2):Old State = IKE_P1_COMPLETE New State =
IKE_P1_COMPLETE

```

The above message corresponds to receiving the acknowledge (ACK) message from the peer.

```

Router#
*Mar 25 15:47:35.335: ISAKMP: set new node -90798077 to QM_IDLE *Mar 25 15:47:35.343:
ISAKMP:(0:1:HW:2): sending packet to 10.2.80.209 my_port
500 peer_port 500 (I) QM_IDLE
*Mar 25 15:47:35.343: ISAKMP:(0:1:HW:2):purging node -90798077 *Mar 25 15:47:35.347:
ISAKMP:(0:1:HW:2):Input = IKE_MSG_FROM_TIMER,
IKE_TIMER_IM_ALIVE
*Mar 25 15:47:35.347: ISAKMP:(0:1:HW:2):Old State = IKE_P1_COMPLETE New State =
IKE_P1_COMPLETE
*Mar 25 15:47:36.611: ISAKMP:(0:1:HW:2):purging node 1515050537 *Mar 25 15:47:37.343:
ISAKMP:(0:1:HW:2):incrementing error counter on sa:
PEERS_ALIVE_TIMER
*Mar 25 15:47:37.343: ISAKMP: set new node -1592471565 to QM_IDLE *Mar 25 15:47:37.351:

```

Verifying DPD Configuration Using the debug crypto isakmp Command Example

```

ISAKMP:(0:1:HW:2): sending packet to 10.2.80.209 my_port
500 peer_port 500 (I) QM_IDLE
*Mar 25 15:47:37.351: ISAKMP:(0:1:HW:2):purging node -1592471565 *Mar 25 15:47:37.355:
ISAKMP:(0:1:HW:2):Input = IKE_MESG_FROM_TIMER,
IKE_TIMER_PEERS_ALIVE
*Mar 25 15:47:37.355: ISAKMP:(0:1:HW:2):Old State = IKE_P1_COMPLETE New State =
IKE_P1_COMPLETE
*Mar 25 15:47:39.355: ISAKMP:(0:1:HW:2):incrementing error counter on sa:
PEERS_ALIVE_TIMER
*Mar 25 15:47:39.355: ISAKMP: set new node 1758739401 to QM_IDLE *Mar 25 15:47:39.363:
ISAKMP:(0:1:HW:2): sending packet to 10.2.80.209 my_port
500 peer_port 500 (I) QM_IDLE
*Mar 25 15:47:39.363: ISAKMP:(0:1:HW:2):purging node 1758739401 *Mar 25 15:47:39.367:
ISAKMP:(0:1:HW:2):Input = IKE_MESG_FROM_TIMER,
IKE_TIMER_PEERS_ALIVE
*Mar 25 15:47:39.367: ISAKMP:(0:1:HW:2):Old State = IKE_P1_COMPLETE New State =
IKE_P1_COMPLETE
*Mar 25 15:47:41.367: ISAKMP:(0:1:HW:2):incrementing error counter on sa:
PEERS_ALIVE_TIMER
*Mar 25 15:47:41.367: ISAKMP: set new node 320258858 to QM_IDLE *Mar 25 15:47:41.375:
ISAKMP:(0:1:HW:2): sending packet to 10.2.80.209 my_port
500 peer_port 500 (I) QM_IDLE
*Mar 25 15:47:41.379: ISAKMP:(0:1:HW:2):purging node 320258858 *Mar 25 15:47:41.379:
ISAKMP:(0:1:HW:2):Input = IKE_MESG_FROM_TIMER,
IKE_TIMER_PEERS_ALIVE
*Mar 25 15:47:41.379: ISAKMP:(0:1:HW:2):Old State = IKE_P1_COMPLETE New State =
IKE_P1_COMPLETE
*Mar 25 15:47:43.379: ISAKMP:(0:1:HW:2):incrementing error counter on sa:
PEERS_ALIVE_TIMER
*Mar 25 15:47:43.379: ISAKMP: set new node -744493014 to QM_IDLE *Mar 25 15:47:43.387:
ISAKMP:(0:1:HW:2): sending packet to 10.2.80.209 my_port
500 peer_port 500 (I) QM_IDLE
*Mar 25 15:47:43.387: ISAKMP:(0:1:HW:2):purging node -744493014 *Mar 25 15:47:43.391:
ISAKMP:(0:1:HW:2):Input = IKE_MESG_FROM_TIMER,
IKE_TIMER_PEERS_ALIVE
*Mar 25 15:47:43.391: ISAKMP:(0:1:HW:2):Old State = IKE_P1_COMPLETE New State =
IKE_P1_COMPLETE
*Mar 25 15:47:45.391: ISAKMP:(0:1:HW:2):incrementing error counter on sa:
PEERS_ALIVE_TIMER
*Mar 25 15:47:45.391: ISAKMP:(0:1:HW:2):peer 10.2.80.209 not responding! *Mar 25 15:47:45.391:
ISAKMP:(0:1:HW:2):peer does not do paranoid keepalives.
*Mar 25 15:47:45.391: ISAKMP:(0:1:HW:2):deleting SA reason "peers alive" state
(I) QM_IDLE (peer 10.2.80.209) input queue 0
*Mar 25 15:47:45.395: ISAKMP: Unlocking IPSEC struct 0x81E5C4E8 from
delete_siblings, count 0
*Mar 25 15:47:45.395: %CRYPTO-5-SESSION_STATUS: Crypto tunnel is DOWN. Peer
10.2.80.209:500 Id: 10.2.80.209
*Mar 25 15:47:45.399: ISAKMP: set new node -2061951065 to QM_IDLE *Mar 25 15:47:45.411:
ISAKMP:(0:1:HW:2): sending packet to 10.2.80.209 my_port
500 peer_port 500 (I) QM_IDLE
*Mar 25 15:47:45.411: ISAKMP:(0:1:HW:2):purging node -2061951065 *Mar 25 15:47:45.411:
ISAKMP:(0:1:HW:2):Input = IKE_MESG_FROM_TIMER,
IKE_TIMER_PEERS_ALIVE
*Mar 25 15:47:45.411: ISAKMP:(0:1:HW:2):Old State = IKE_P1_COMPLETE New State =
IKE_DEST_SA
*Mar 25 15:47:45.415: ISAKMP:(0:1:HW:2):deleting SA reason "peers alive" state
(I) QM_IDLE (peer 10.2.80.209) input queue 0
*Mar 25 15:47:45.415: ISAKMP: Unlocking IKE struct 0x81E5C4E8 for
isadb_mark_sa_deleted(), count 0
*Mar 25 15:47:45.415: ISAKMP: Deleting peer node by peer_reap for 10.2.80.209:
81E5C4E8
*Mar 25 15:47:45.415: ISAKMP:(0:1:HW:2):deleting node -1067612752 error TRUE
reason "peers alive"
*Mar 25 15:47:45.415: ISAKMP:(0:1:HW:2):deleting node -114443536 error TRUE

```

```

reason "peers alive"
*Mar 25 15:47:45.419: ISAKMP:(0:1:HW:2):deleting node 2116015069 error TRUE
reason "peers alive"
*Mar 25 15:47:45.419: ISAKMP:(0:1:HW:2):deleting node -1981865558 error TRUE
reason "peers alive"
*Mar 25 15:47:45.419: ISAKMP:(0:1:HW:2):Input = IKE_MSG_INTERNAL, IKE_PHASE1_DEL *Mar 25
15:47:45.419: ISAKMP:(0:1:HW:2):Old State = IKE_DEST_SA New State =
IKE_DEST_SA
*Mar 25 15:47:45.419: ISAKMP: received ke message (4/1)
*Mar 25 15:47:45.419: ISAKMP: received ke message (3/1)
*Mar 25 15:47:45.423: ISAKMP: ignoring request to send delete notify (no ISAKMP
sa) src 10.1.32.14 dst 10.2.80.209 for SPI 0x3A7B69BF
*Mar 25 15:47:45.423: ISAKMP:(0:1:HW:2):deleting SA reason "" state (I)
MM_NO_STATE (peer 10.2.80.209) input queue 0
*Mar 25 15:47:45.423: ISAKMP:(0:1:HW:2):deleting node -1067612752 error FALSE
reason ""
*Mar 25 15:47:45.423: ISAKMP:(0:1:HW:2):deleting node -114443536 error FALSE
reason ""
*Mar 25 15:47:45.423: ISAKMP:(0:1:HW:2):deleting node 2116015069 error FALSE
reason ""
*Mar 25 15:47:45.427: ISAKMP:(0:1:HW:2):deleting node -1981865558 error FALSE
reason ""
*Mar 25 15:47:45.427: ISAKMP:(0:1:HW:2):Input = IKE_MSG_FROM_PEER, IKE_MM_EXCH *Mar 25
15:47:45.427: ISAKMP:(0:1:HW:2):Old State = IKE_DEST_SA New State =
IKE_DEST_SA

```

The above message shows what happens when the remote peer is unreachable. The router sends one DPD R_U_THERE message and four retransmissions before it finally deletes the IPsec and IKE SAs.

DPD and Cisco IOS XE Keepalives Used in Conjunction with Multiple Peers in a Crypto Map Example

The following example shows that DPD and Cisco IOS XE keepalives are used in conjunction with multiple peers in a crypto map configuration when IKE will be used to establish the security associations (SAs). In this example, an SA could be set up to the IPsec peer at 10.0.0.1, 10.0.0.2, or 10.0.0.3.

```

crypto isakmp keepalive 10 periodic
crypto map green 1 ipsec-isakmp
  set peer 10.0.0.1
  set peer 10.0.0.2
  set peer 10.0.0.3
  set transform-set txfm
  match address 101

```

Additional References

The following sections provide references related to IPsec Dead Peer Detection Periodic Message Option.

Related Documents

Related Topic	Document Title
Configuring IPsec	Configuring Security for VPNs with IPsec
IPsec commands	Cisco IOS Security Command Reference

Standards

Standards	Title
No new or modified standards are supported by this feature, and support for existing standards has not been modified by this feature.	--

MIBs

MIBs	MIBs Link
No new or modified MIBs are supported by this feature, and support for existing MIBs has not been modified by this feature.	To locate and download MIBs for selected platforms, Cisco IOS releases, and feature sets, use Cisco MIB Locator found at the following URL: http://www.cisco.com/go/mibs

RFCs

RFCs	Title
DPD conforms to the Internet draft “draft-ietf-ipsec-dpd-04.txt,” which is pending publication as an Informational RFC (a number has not yet been assigned).	--

Technical Assistance

Description	Link
<p>The Cisco Support website provides extensive online resources, including documentation and tools for troubleshooting and resolving technical issues with Cisco products and technologies.</p> <p>To receive security and technical information about your products, you can subscribe to various services, such as the Product Alert Tool (accessed from Field Notices), the Cisco Technical Services Newsletter, and Really Simple Syndication (RSS) Feeds.</p> <p>Access to most tools on the Cisco Support website requires a Cisco.com user ID and password.</p>	http://www.cisco.com/techsupport

Feature Information for Dead Peer Detection Periodic Message Option

The following table provides release information about the feature or features described in this module. This table lists only the software release that introduced support for a given feature in a given software release train. Unless noted otherwise, subsequent releases of that software release train also support that feature.

Use Cisco Feature Navigator to find information about platform support and Cisco software image support. To access Cisco Feature Navigator, go to www.cisco.com/go/cfn. An account on Cisco.com is not required.

Table 5: Feature Information for Dead Peer Detection

Feature Name	Releases	Feature Information
Dead Peer Detection Periodic Message Option	Cisco IOS XE Release 2.1	This feature allows you to configure your router to query the liveliness of its IKE peer at regular intervals. The benefit of this approach over the default approach (on-demand dead peer detection) is earlier detection of dead peers. The following command was introduced or modified: crypto isakmp keepalive .



CHAPTER 6

IPsec NAT Transparency

The IPsec NAT Transparency feature introduces support for IP Security (IPsec) traffic to travel through Network Address Translation (NAT) or Port Address Translation (PAT) points in the network by addressing many known incompatibilities between NAT and IPsec.

- [Finding Feature Information, on page 51](#)
- [Restrictions for IPsec NAT Transparency, on page 51](#)
- [Information About IPsec NAT Transparency, on page 52](#)
- [How to Configure NAT and IPsec, on page 55](#)
- [Configuration Examples for IPsec and NAT, on page 57](#)
- [Additional References, on page 58](#)
- [Feature Information for IPsec NAT Transparency, on page 59](#)
- [Glossary, on page 60](#)

Finding Feature Information

Your software release may not support all the features documented in this module. For the latest caveats and feature information, see [Bug Search Tool](#) and the release notes for your platform and software release. To find information about the features documented in this module, and to see a list of the releases in which each feature is supported, see the feature information table.

Use Cisco Feature Navigator to find information about platform support and Cisco software image support. To access Cisco Feature Navigator, go to www.cisco.com/go/cfn. An account on Cisco.com is not required.

Restrictions for IPsec NAT Transparency

Although this feature addresses many incompatibilities between NAT and IPsec, the following problems still exist:

Internet Key Exchange (IKE) IP Address and NAT

This incompatibility applies only when IP addresses are used as a search key to find a preshared key. Modification of the IP source or destination addresses by NAT or reverse NAT results in a mismatch between the IP address and the preshared key.

Embedded IP Addresses and NAT

Because the payload is integrity protected, any IP address enclosed within IPsec packets cannot be translated by NAT. Protocols that use embedded IP addresses include FTP, Internet Relay Chat (IRC), Simple Network Management Protocol (SNMP), Lightweight Directory Access Protocol (LDAP), H.323, and Session Initiation Protocol (SIP).

Information About IPsec NAT Transparency

Benefit of IPsec NAT Transparency

Before the introduction of this feature, a standard IPsec virtual private network (VPN) tunnel would not work if there were one or more NAT or PAT points in the delivery path of the IPsec packet. This feature makes NAT IPsec-aware, thereby, allowing remote access users to build IPsec tunnels to home gateways.

Feature Design of IPsec NAT Traversal

The IPsec NAT Transparency feature introduces support for IPsec traffic to travel through NAT or PAT points in the network by encapsulating IPsec packets in a User Datagram Protocol (UDP) wrapper, which allows the packets to travel across NAT devices. The following sections define the details of NAT traversal:

IKE Phase 1 Negotiation NAT Detection

During Internet Key Exchange (IKE) phase 1 negotiation, two types of NAT detection occur before IKE Quick Mode begins--NAT support and NAT existence along the network path.

To detect NAT support, you should exchange the vendor identification (ID) string with the remote peer. During Main Mode (MM) 1 and MM 2 of IKE phase 1, the remote peer sends a vendor ID string payload to its peer to indicate that this version supports NAT traversal. Thereafter, NAT existence along the network path can be determined.

Detecting whether NAT exists along the network path allows you to find any NAT device between two peers and the exact location of NAT. A NAT device can translate the private IP address and port to public value (or from public to private). This translation changes the IP address and port if the packet goes through the device. To detect whether a NAT device exists along the network path, the peers should send a payload with hashes of the IP address and port of both the source and destination address from each end. If both ends calculate the hashes and the hashes match, each peer knows that a NAT device does not exist on the network path between them. If the hashes do not match (that is, someone translated the address or port), then each peer needs to perform NAT traversal to get the IPsec packet through the network.

The hashes are sent as a series of NAT discovery (NAT-D) payloads. Each payload contains one hash; if multiple hashes exist, multiple NAT-D payloads are sent. In most environments, there are only two NAT-D payloads--one for the source address and port and one for the destination address and port. The destination NAT-D payload is sent first, followed by the source NAT-D payload, which implies that the receiver should expect to process the local NAT-D payload first and the remote NAT-D payload second. The NAT-D payloads are included in the third and fourth messages in Main Mode and in the second and third messages in Aggressive Mode (AM).

IKE Phase 2 Negotiation NAT Traversal Decision

While IKE phase 1 detects NAT support and NAT existence along the network path, IKE phase 2 decides whether or not the peers at both ends will use NAT traversal. Quick Mode (QM) security association (SA) payload in QM1 and QM2 is used for NAT traversal negotiation.

Because the NAT device changes the IP address and port number, incompatibilities between NAT and IPsec can be created. Thus, exchanging the original source address bypasses any incompatibilities.

UDP Encapsulation of IPsec Packets for NAT Traversal

In addition to allowing IPsec packets to traverse across NAT devices, UDP encapsulation also addresses many incompatibility issues between IPsec and NAT and PAT. The resolved issues are as follows:

Incompatibility Between IPsec ESP and PAT Resolved

If PAT found a legislative IP address and port, it would drop the Encapsulating Security Payload (ESP) packet. To prevent this scenario, UDP encapsulation is used to hide the ESP packet behind the UDP header. Thus, PAT treats the ESP packet as a UDP packet, processing the ESP packet as a normal UDP packet.

Incompatibility Between Checksums and NAT Resolved

In the new UDP header, the checksum value is always assigned to zero. This value prevents an intermediate device from validating the checksum against the packet checksum, thereby, resolving the TCP UDP checksum issue because NAT changes the IP source and destination addresses.

Incompatibility Between Fixed IKE Destination Ports and PAT Resolved

PAT changes the port address in the new UDP header for translation and leaves the original payload unchanged. To see how UDP encapsulation helps to send IPsec packets see the figures below.

Figure 2: Standard IPsec Tunnel Through a NAT/PAT Point (No UDP Encapsulation)

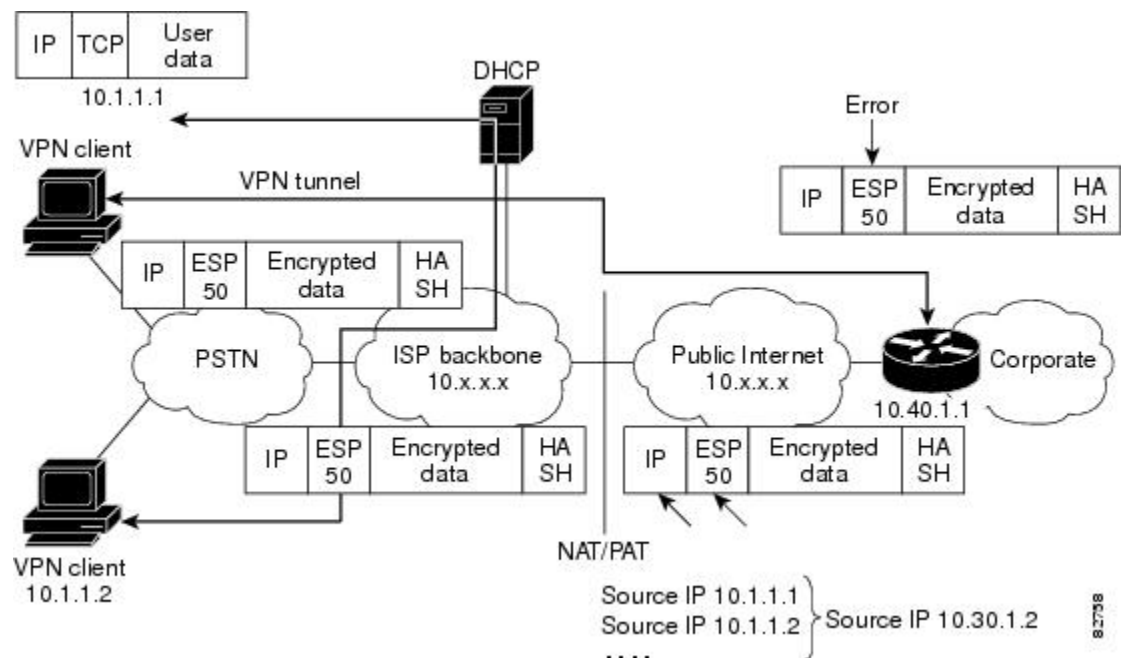
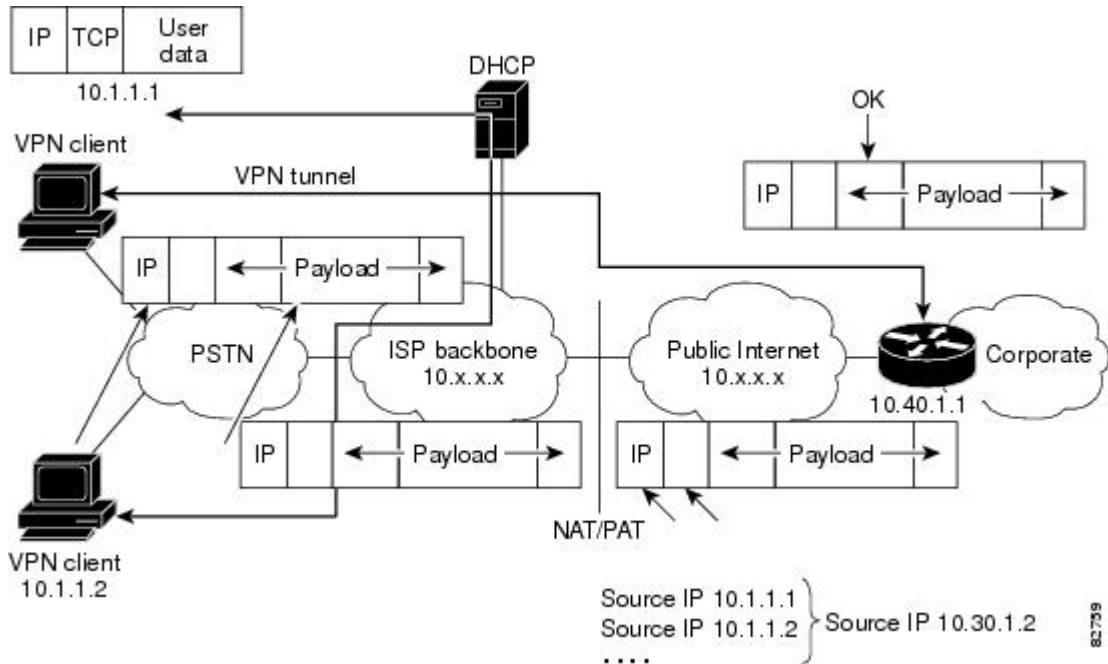


Figure 3: IPsec Packet with UDP Encapsulation



UDP Encapsulated Process for Software Engines Transport Mode and Tunnel Mode ESP Encapsulation

After the IPsec packet is encrypted by a hardware accelerator or a software crypto engine, a UDP header and a non-IKE marker (which is 8 bytes in length) are inserted between the original IP header and ESP header. The total length, protocol, and checksum fields are changed to match this modification. The first figure below shows an IPsec packet before and after transport mode is applied; the second figure below shows an IPsec packet before and after tunnel mode is applied.

Figure 4: Transport Mode--IPsec Packet Before and After ESP Encapsulation

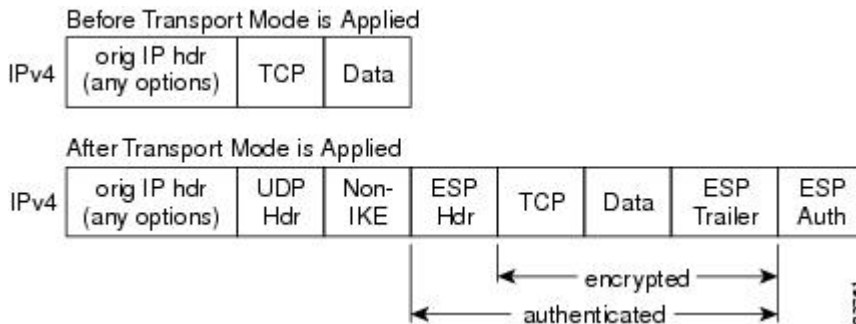
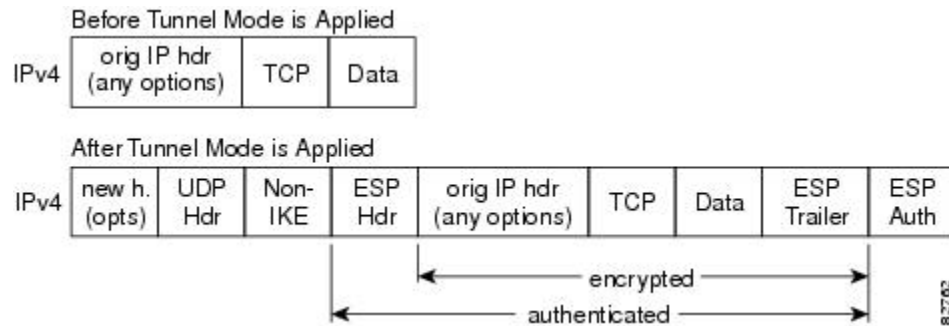


Figure 5: Tunnel Mode--IPsec Packet Before and After ESP Encapsulation



NAT Keepalives

NAT keepalives are enabled to keep the dynamic NAT mapping alive during a connection between two peers. NAT keepalives are UDP packets with an unencrypted payload of 1 byte. Although the current dead peer detection (DPD) implementation is similar to NAT keepalives, there is a slight difference: DPD is used to detect peer status, while NAT keepalives are sent if the IPsec entity did not send or receive the packet at a specified period of time--valid range is between 5 to 3600 seconds.

If NAT keepalives are enabled (via the **crypto isakmp nat keepalive** command), users should ensure that the idle value is shorter than the NAT mapping expiration time, which is 20 seconds.

How to Configure NAT and IPsec

Configuring NAT Traversal

NAT Traversal is a feature that is auto detected by VPN devices. There are no configuration steps for a router running Cisco IOS XE Release 2.1. If both VPN devices are NAT-T capable, NAT Traversal is auto detected and auto negotiated.

Disabling NAT Traversal

You may wish to disable NAT traversal if you already know that your network uses IPsec-awareness NAT (spi-matching scheme). To disable NAT traversal, use the following commands:

SUMMARY STEPS

1. **enable**
2. **configure terminal**
3. **no crypto ipsec nat-transparency udp-encapsulation**

DETAILED STEPS

	Command or Action	Purpose
Step 1	enable Example: <pre>Router> enable</pre>	Enables higher privilege levels, such as privileged EXEC mode. Enter your password if prompted.
Step 2	configure terminal Example: <pre>Router# configure terminal</pre>	Enters global configuration mode.
Step 3	no crypto ipsec nat-transparency udp-encapsulation Example: <pre>Router(config)# no crypto ipsec nat-transparency udp-encapsulation</pre>	Disables NAT traversal.

Configuring NAT Keepalives

To configure your router to send NAT keepalives, use the following commands:

SUMMARY STEPS

1. **enable**
2. **configure terminal**
3. **crypto isakmp nat keepalive** *seconds*

DETAILED STEPS

	Command or Action	Purpose
Step 1	enable Example: <pre>Router> enable</pre>	Enables higher privilege levels, such as privileged EXEC mode. Enter your password if prompted.
Step 2	configure terminal Example: <pre>Router# configure terminal</pre>	Enters global configuration mode.
Step 3	crypto isakmp nat keepalive <i>seconds</i> Example: <pre>Router(config)# crypto isakmp nat keepalive 20</pre>	Allows an IPsec node to send NAT keepalive packets. <ul style="list-style-type: none"> • <i>seconds</i> --The number of seconds between keepalive packets; range is between 5 to 3,600 seconds.

	Command or Action	Purpose
		<p>Note When the timer is modified, it is modified for every Internet Security Association Key Management Protocol (ISAKMP) security association (SA) when the keepalive for that SA is sent based on the existing timer.</p> <p>Note A five-percent jitter mechanism value is applied to the timer to avoid security association rekey collisions. If there are many peer routers, and the timer is configured too low, then the router can experience high CPU usage.</p>

Verifying IPsec Configuration

To verify your configuration, perform the following optional steps:

SUMMARY STEPS

1. `enable`
2. `show crypto ipsec sa [map map-name | address | identity] [detail]`

DETAILED STEPS

	Command or Action	Purpose
Step 1	<p><code>enable</code></p> <p>Example:</p> <pre>Router> enable</pre>	<p>Enables higher privilege levels, such as privileged EXEC mode.</p> <p>Enter your password if prompted.</p>
Step 2	<p><code>show crypto ipsec sa [map map-name address identity] [detail]</code></p> <p>Example:</p> <pre>Router# show crypto ipsec sa</pre>	<p>Displays the settings used by current SAs.</p>

Configuration Examples for IPsec and NAT

NAT Keepalives Configuration Example

The following example shows how to enable NAT keepalives to be sent every 20 seconds:

```
crypto isakmp policy 1
 authentication pre-share
crypto isakmp key 1234 address 10.0.0.1
```

```

crypto isakmp nat keepalive 20
!
!
crypto ipsec transform-set t2 esp-des esp-sha-hmac
!
crypto map test2 10 ipsec-isakmp
 set peer 10.0.0.1
 set transform-set t2
 match address 101

```

Additional References

The following sections provide references related to the IPsec NAT Transparency feature.

Related Documents

Related Topic	Document Title
Additional NAT configuration tasks	<ul style="list-style-type: none"> • “Configuring NAT for IP Address Conservation” module in the <i>Cisco IOS XE IP Addressing Services Configuration Guide</i> • “Using Application Level Gateways with NAT” module in the <i>Cisco IOS XE IP Addressing Services Configuration Guide</i> • “Configuring NAT for High Availability” module in the <i>Cisco IOS XE IP Addressing Services Configuration Guide</i> • “Integrating NAT with MPLS VPNs” module in the <i>Cisco IOS XE IP Addressing Services Configuration Guide</i>
Additional NAT commands	Cisco IOS IP Addressing Services Command Reference
Additional IPsec configuration tasks	“Configuring Security for VPNs with IPsec” module in the <i>Cisco IOS XE Security Configuration Guide: Secure Connectivity</i>
Additional IPsec commands	Cisco IOS Security Command Reference
Information on IKE	“Configuring Internet Key Exchange for IPsec VPNs” module in the <i>Cisco IOS XE Security Configuration Guide: Secure Connectivity</i>
Additional information on IKE dead peer detection	“Easy VPN Server” module in the <i>Cisco IOS XE Security Configuration Guide: Secure Connectivity</i>

Standards

Standards	Title
No new or modified MIBs are supported by this feature, and support for existing MIBs has not been modified by this feature.	--

MIBs

MIBs	MIBs Link
No new or modified MIBs are supported by this feature, and support for existing MIBs has not been modified by this feature.	To locate and download MIBs for selected platforms, Cisco IOS XE software releases, and feature sets, use Cisco MIB Locator found at the following URL: http://tools.cisco.com/ITDIT/MIBS/servlet/index

RFCs

RFCs ¹	Title
RFC 2402	IP Authentication Header
RFC 2406	IP Encapsulating Security Payload (ESP)

¹ Not all supported RFCs are listed.

Technical Assistance

Description	Link
<p>The Cisco Support website provides extensive online resources, including documentation and tools for troubleshooting and resolving technical issues with Cisco products and technologies.</p> <p>To receive security and technical information about your products, you can subscribe to various services, such as the Product Alert Tool (accessed from Field Notices), the Cisco Technical Services Newsletter, and Really Simple Syndication (RSS) Feeds.</p> <p>Access to most tools on the Cisco Support website requires a Cisco.com user ID and password.</p>	http://www.cisco.com/techsupport

Feature Information for IPsec NAT Transparency

The following table provides release information about the feature or features described in this module. This table lists only the software release that introduced support for a given feature in a given software release train. Unless noted otherwise, subsequent releases of that software release train also support that feature.

Use Cisco Feature Navigator to find information about platform support and Cisco software image support. To access Cisco Feature Navigator, go to www.cisco.com/go/cfn. An account on Cisco.com is not required.

Table 6: Feature Information for IPsec NAT Transparency

Feature Name	Releases	Feature Information
IPsec NAT Transparency	Cisco IOS XE Release 2.1	<p>The IPsec NAT Transparency feature introduces support for IP Security (IPsec) traffic to travel through Network Address Translation (NAT) or Port Address Translation (PAT) points in the network by addressing many known incompatibilities between NAT and IPsec.</p> <p>The following commands were introduced or modified: crypto isamkp nat keepalive, access-list (IP extended), show crypto ipsec sa</p>

Glossary

IKE --Internet Key Exchange. Hybrid protocol that implements Oakley key exchange and Skeme key exchange inside the Internet Security Association Key Management Protocol (ISAKMP) framework. Although IKE can be used with other protocols, its initial implementation is with IPsec. IKE provides authentication of the IPsec peers, negotiates IPsec keys, and negotiates IPsec security associations (SAs).

IPsec --IP Security. Framework of open standards developed by the Internet Engineering Task Force (IETF). IPsec provides security for transmission of sensitive information over unprotected networks such as the Internet. IPsec acts at the network layer, protecting and authenticating IP packets between participating IPsec devices (“peers”), such as Cisco routers.

NAT --Network Address Translation. Translates a private IP address used inside the corporation to a public, routable address for use on the outside of the corporation, such as the Internet. NAT is considered a one-to-one mapping of addresses from private to public.

PAT --Port Address Translation. Like NAT, PAT also translated private IP address to public, routable addresses. Unlike NAT, PAT provides a many-to-one mapping of private addresses to a public address; each instance of the public address is associated with a particular port number to provide uniqueness. PAT can be used in environments where the cost of obtaining a range of public addresses is too expensive for an organization.



CHAPTER 7

DF Bit Override Functionality with IPsec Tunnels

The DF Bit Override Functionality with IPsec Tunnels feature allows you to configure the setting of the DF bit when encapsulating tunnel mode IPsec traffic on a global or per-interface level. Thus, if the DF bit is set to clear, routers can fragment packets regardless of the original DF bit setting.

- [Finding Feature Information, on page 61](#)
- [Prerequisites for DF Bit Override Functionality with IPsec Tunnels, on page 61](#)
- [Restrictions for DF Bit Override Functionality with IPsec Tunnels, on page 62](#)
- [Information About DF Bit Override Functionality with IPsec Tunnels, on page 62](#)
- [How to Configure DF Bit Override Functionality with IPsec Tunnels, on page 63](#)
- [Configuration Examples for DB Bit Override Functionality with IPsec Tunnels, on page 64](#)
- [Additional References, on page 64](#)
- [Feature Information for DF Bit Override Functionality with IPsec Tunnels, on page 66](#)

Finding Feature Information

Your software release may not support all the features documented in this module. For the latest caveats and feature information, see [Bug Search Tool](#) and the release notes for your platform and software release. To find information about the features documented in this module, and to see a list of the releases in which each feature is supported, see the feature information table.

Use Cisco Feature Navigator to find information about platform support and Cisco software image support. To access Cisco Feature Navigator, go to www.cisco.com/go/cfn. An account on Cisco.com is not required.

Prerequisites for DF Bit Override Functionality with IPsec Tunnels

IPsec must be enabled on your router.

Restrictions for DF Bit Override Functionality with IPsec Tunnels

Performance Impact

Because each packet is reassembled at the process level, a significant performance impact occurs at a high data rate. Two major caveats are as follows:

- The reassemble queue can fill up and force fragments to be dropped.
- The traffic is slower because of the process switching.

DF Bit Setting Requirement

If several interfaces share the same crypto map using the local address feature, these interfaces must share the same DF bit setting.

Feature Availability

This feature is available only for IPsec tunnel mode. (IPsec transport mode is not affected because it does not provide an encapsulating IP header.)

Information About DF Bit Override Functionality with IPsec Tunnels

Feature Overview

The DF Bit Override Functionality with IPsec Tunnels feature allows you to specify whether your router can clear, set, or copy the Don't Fragment (DF) bit from the encapsulated header. A DF bit is a bit within the IP header that determines whether a router is allowed to fragment a packet.

Some user configurations have hosts that perform the following functions:

- Set the DF bit in packets they send
- Use firewalls that block Internet Control Message Protocol (ICMP) errors from outside the firewall, preventing hosts from learning about the maximum transmission unit (MTU) size outside the firewall
- Use IP Security (IPsec) to encapsulate packets, reducing the available MTU size

If your configurations have hosts that prevent you from learning about the available MTU size, you can configure your router to clear the DF bit and fragment the packet.



Note

In compliance with RFC 2401, this feature can be configured globally or per interface. If both levels are configured, the interface configuration will override the global configuration.

How to Configure DF Bit Override Functionality with IPsec Tunnels

Configuring the DF Bit for the Encapsulating Header in Tunnel Mode

To set the DF bit for the encapsulating header in tunnel mode, perform the following steps.

SUMMARY STEPS

1. `enable`
2. `configure terminal`
3. `crypto ipsec df-bit [clear | set | copy]`

DETAILED STEPS

	Command or Action	Purpose
Step 1	enable Example: <pre>Router> enable</pre>	Enables privileged EXEC mode. <ul style="list-style-type: none"> • Enter your password if prompted.
Step 2	configure terminal Example: <pre>Router# configure terminal</pre>	Enters global configuration mode.
Step 3	crypto ipsec df-bit [clear set copy] Example: <pre>Router (config)# crypto ipsec df-bit set</pre>	Sets the DF bit for the encapsulating header in tunnel mode for all interfaces. To set the DF bit for a specified interface, use the crypto ipsec df-bit command in interface configuration mode. Note DF bit interface configuration settings override all DF bit global configuration settings.

Verifying DF Bit Setting

To verify the current DF Bit settings on your router, use the **show running-config** command in EXEC mode.

Configuration Examples for DB Bit Override Functionality with IPsec Tunnels

DF Bit Setting Configuration Example

In following example, the router is configured to globally clear the setting for the DF bit and copy the DF bit on the interface named FastEthernet. Thus, all interfaces except FastEthernet will allow the router to send packets larger than the available MTU size; FastEthernet will allow the router to fragment the packet.

```
crypto isakmp policy 1
  hash md5
  authentication pre-share
crypto isakmp key Delaware address 192.168.10.66
crypto isakmp key Key-What-Key address 192.168.11.19
!
!
crypto ipsec transform-set exampleset ah-md5-hmac esp-des
crypto ipsec df-bit clear
!
!
crypto map armadillo 1 ipsec-isakmp
set peer 192.168.10.66
set transform-set exampleset
match address 101
!
crypto map basilisk 1 ipsec-isakmp
set peer 192.168.11.19
set transform-set exampleset
match address 102
!
!
interface FastEthernet
  ip address 192.168.10.38 255.255.255.0
  ip broadcast-address 0.0.0.0
  media-type 10BaseT
  crypto map armadillo
  crypto ipsec df-bit copy
!
interface FastEthernet1
  ip address 192.168.11.75 255.255.255.0
  ip broadcast-address 0.0.0.0
  media-type 10BaseT
  crypto map basilisk
!
interface Serial0
  no ip address
  ip broadcast-address 0.0.0.0
  no ip route-cache
  no ip mroute-cache
```

Additional References

The following sections provide references related to the DF Bit Override Functionality with IPsec Tunnels feature.

Related Documents

Related Topic	Document Title
Internet Key Exchange and IPsec networks	Configuring Internet Key Exchange for IPsec VPNs
IPsec network commands	Cisco IOS Security Command Reference

Standards

Standard	Title
No new or modified standards are supported by this feature, and support for existing standards has not been modified by this feature.	--

MIBs

MIB	MIBs Link
No new or modified MIBs are supported by this feature, and support for existing standards has not been modified by this feature.	To locate and download MIBs for selected platforms, Cisco IOS XE releases, and feature sets, use Cisco MIB Locator found at the following URL: http://www.cisco.com/go/mibs

RFCs

RFC	Title
No new or modified RFCs are supported by this feature, and support for existing standards has not been modified by this feature.	--

Technical Assistance

Description	Link
<p>The Cisco Support website provides extensive online resources, including documentation and tools for troubleshooting and resolving technical issues with Cisco products and technologies.</p> <p>To receive security and technical information about your products, you can subscribe to various services, such as the Product Alert Tool (accessed from Field Notices), the Cisco Technical Services Newsletter, and Really Simple Syndication (RSS) Feeds.</p> <p>Access to most tools on the Cisco Support website requires a Cisco.com user ID and password.</p>	http://www.cisco.com/techsupport

Feature Information for DF Bit Override Functionality with IPsec Tunnels

The following table provides release information about the feature or features described in this module. This table lists only the software release that introduced support for a given feature in a given software release train. Unless noted otherwise, subsequent releases of that software release train also support that feature.

Use Cisco Feature Navigator to find information about platform support and Cisco software image support. To access Cisco Feature Navigator, go to www.cisco.com/go/cfn. An account on Cisco.com is not required.

Table 7: Feature Information for DF Bit Override Functionality with IPsec Tunnels

Feature Name	Releases	Feature Information
DF Bit Override Functionality with IPsec Tunnels	Cisco IOS XE Release 2.1	This feature allows users to specify whether their router can clear, set, or copy the Don't Fragment (DF) bit from the encapsulated header. A DF bit is a bit within the IP header that determines whether a router is allowed to fragment a packet. The following commands were introduced or modified: crypto ipsec df-bit.



CHAPTER 8

IPsec Security Association Idle Timers

When a router running the Cisco IOS XE software creates an IPsec security association (SA) for a peer, resources must be allocated to maintain the SA. The SA requires both memory and several managed timers. For idle peers, these resources are wasted. If enough resources are wasted by idle peers, the router could be prevented from creating new SAs with other peers. The IPsec Security Association Idle Timers feature introduces a configurable idle timer to monitor SAs for activity, allowing SAs for idle peers to be deleted. Benefits of this feature include:

- Increased availability of resources
- Improved scalability of Cisco IOS XE IPsec deployments. Because this feature prevents the wasting of resources by idle peers, more resources will be available to create new SAs as required.
- [Finding Feature Information, on page 67](#)
- [Prerequisites for IPsec Security Association Idle Timers, on page 67](#)
- [Information About IPsec Security Association Idle Timers, on page 68](#)
- [How to Configure IPsec Security Association Idle Timers, on page 68](#)
- [Configuration Examples for IPsec Security Association Idle Timers, on page 70](#)
- [Additional References, on page 70](#)
- [Feature Information for IPsec Security Association Idle Timers, on page 71](#)

Finding Feature Information

Your software release may not support all the features documented in this module. For the latest caveats and feature information, see [Bug Search Tool](#) and the release notes for your platform and software release. To find information about the features documented in this module, and to see a list of the releases in which each feature is supported, see the feature information table.

Use Cisco Feature Navigator to find information about platform support and Cisco software image support. To access Cisco Feature Navigator, go to www.cisco.com/go/cfn. An account on Cisco.com is not required.

Prerequisites for IPsec Security Association Idle Timers

You must configure Internet Key Exchange (IKE) as described in the “Configuring Internet Key Exchange Security Protocol” chapter of the *Cisco IOS XE Security Configuration Guide*.

Information About IPsec Security Association Idle Timers

Lifetimes for IPsec Security Associations

The Cisco IOS software currently allows the configuration of lifetimes for IPsec SAs. Lifetimes can be configured globally or per crypto map. There are two lifetimes: a “timed” lifetime and a “traffic-volume” lifetime. A security association expires after the first of these lifetimes is reached.

IPsec Security Association Idle Timers

The IPsec SA idle timers are different from the global lifetimes for IPsec SAs. The expiration of the global lifetime is independent of peer activity. The IPsec SA idle timer allows SAs associated with inactive peers to be deleted before the global lifetime has expired.

If the IPsec SA idle timers are not configured, only the global lifetimes for IPsec SAs are applied. SAs are maintained until the global timers expire, regardless of peer activity.



Note If the last IPsec SA to a given peer is deleted due to idle timer expiration, the Internet Key Exchange (IKE) SA to that peer will also be deleted.

How to Configure IPsec Security Association Idle Timers

Configuring the IPsec SA Idle Timer Globally

This task configures the IPsec SA idle timer globally. The idle timer configuration will be applied to all SAs.

SUMMARY STEPS

1. **enable**
2. **configure terminal**
3. **crypto ipsec security-association idle-time *seconds***

DETAILED STEPS

	Command or Action	Purpose
Step 1	enable Example: Router> enable	Enables privileged EXEC mode. <ul style="list-style-type: none"> • Enter your password if prompted.
Step 2	configure terminal Example:	Enters global configuration mode.

	Command or Action	Purpose
	Router# configure terminal	
Step 3	crypto ipsec security-association idle-time <i>seconds</i> Example: Router(config)# crypto ipsec security-association idle-time 600	Configures the IPsec SA idle timer. <ul style="list-style-type: none"> • The <i>seconds</i> argument specifies the time, in seconds, that the idle timer will allow an inactive peer to maintain an SA. Valid values for the <i>seconds</i> argument range from 60 to 86400.

Configuring the IPsec SA Idle Timer per Crypto Map

This task configures the IPsec SA idle timer for a specified crypto map. The idle timer configuration will be applied to all SAs under the specified crypto map.

SUMMARY STEPS

1. **enable**
2. **configure terminal**
3. **crypto map** *map-name seq-number ipsec-isakmp*
4. **set security-association idle-time** *seconds*

DETAILED STEPS

	Command or Action	Purpose
Step 1	enable Example: Router> enable	Enables privileged EXEC mode. <ul style="list-style-type: none"> • Enter your password if prompted.
Step 2	configure terminal Example: Router# configure terminal	Enters global configuration mode.
Step 3	crypto map <i>map-name seq-number ipsec-isakmp</i> Example: Router(config)# crypto map test 1 ipsec-isakmp	Creates or modifies a crypto map entry and enters crypto map configuration mode.
Step 4	set security-association idle-time <i>seconds</i> Example: Router(config-crypto-map)# set security-association idle-time 600	Specifies the maximum amount of time for which the current peer can be idle before the default peer is used. <ul style="list-style-type: none"> • The <i>seconds</i> argument is the number of seconds for which the current peer can be idle before the default peer is used. Valid values are 60 to 86400.

Configuration Examples for IPsec Security Association Idle Timers

Configuring the IPsec SA Idle Timer Globally Example

The following example globally configures the IPsec SA idle timer to drop SAs for inactive peers after 600 seconds:

```
crypto ipsec security-association idle-time 600
```

Configuring the IPsec SA Idle Timer per Crypto Map Example

The following example configures the IPsec SA idle timer for the crypto map named test to drop SAs for inactive peers after 600 seconds:

```
crypto map test 1 ipsec-isakmp
 set security-association idle-time 600
```

Additional References

The following sections provide references related to the IPsec Security Association Idle Timers feature.

Related Documents

Related Topic	Document Title
Additional information about configuring IKE	Internet Key Exchange for IPsec VPNs
Additional information about configuring global lifetimes for IPsec SAs	<ul style="list-style-type: none"> • Configuring Security for VPNs with IPsec • IPsec Preferred Peer
Additional Security commands	Cisco IOS Security Command Reference

Standards

Standards	Title
No new or modified standards are supported by this feature, and support for existing standards has not been modified by this feature.	--

MIBs

MIB	MIBs Link
No new or modified MIBs are supported by this feature, and support for existing MIBs has not been modified by this feature.	To locate and download MIBs for selected platforms, Cisco IOS XE software releases, and feature sets, use Cisco MIB Locator found at the following URL: http://www.cisco.com/go/mibs

RFCs

RFC	Title
No new or modified RFCs are supported by this feature, and support for existing RFCs has not been modified by this feature.	---

Technical Assistance

Description	Link
<p>The Cisco Support website provides extensive online resources, including documentation and tools for troubleshooting and resolving technical issues with Cisco products and technologies.</p> <p>To receive security and technical information about your products, you can subscribe to various services, such as the Product Alert Tool (accessed from Field Notices), the Cisco Technical Services Newsletter, and Really Simple Syndication (RSS) Feeds.</p> <p>Access to most tools on the Cisco Support website requires a Cisco.com user ID and password.</p>	http://www.cisco.com/techsupport

Feature Information for IPsec Security Association Idle Timers

The following table provides release information about the feature or features described in this module. This table lists only the software release that introduced support for a given feature in a given software release train. Unless noted otherwise, subsequent releases of that software release train also support that feature.

Use Cisco Feature Navigator to find information about platform support and Cisco software image support. To access Cisco Feature Navigator, go to www.cisco.com/go/cfn. An account on Cisco.com is not required.

Table 8: Feature Information for IPsec Security Association Idle Timers

Feature Name	Releases	Feature Information
IPsec Security Association Idle Timers	Cisco IOS XE Release 2.1	<p>When a router running the Cisco IOS XE software creates an IPsec security association (SA) for a peer, resources must be allocated to maintain the SA. The SA requires both memory and several managed timers. For idle peers, these resources are wasted. If enough resources are wasted by idle peers, the router could be prevented from creating new SAs with other peers. The IPsec Security Association Idle Timers feature introduces a configurable idle timer to monitor SAs for activity, allowing SAs for idle peers to be deleted.</p> <p>The following command was introduced or modified: crypto ipsec security-association idle-time.</p>
	Cisco IOS XE Release 2.1	<p>The set security-association idle-time command was added, allowing for the configuration of an IPsec idle timer for a specified crypto map.</p> <p>The following command was introduced or modified: set security-association idle-time.</p>



CHAPTER 9

IPv6 IPsec Quality of Service

The IPv6 IPsec QoS feature allows the quality of service (QoS) policies to be applied to IPv6 IPsec.

- [Finding Feature Information, on page 73](#)
- [Information About IPv6 IPsec QoS, on page 73](#)
- [How to Configure IPv6 IPsec QoS, on page 74](#)
- [Configuration Examples for QoS, on page 78](#)
- [Additional References for IPv6 IPsec QoS, on page 80](#)
- [Feature Information for IPv6 IPsec QoS, on page 81](#)

Finding Feature Information

Your software release may not support all the features documented in this module. For the latest caveats and feature information, see [Bug Search Tool](#) and the release notes for your platform and software release. To find information about the features documented in this module, and to see a list of the releases in which each feature is supported, see the feature information table.

Use Cisco Feature Navigator to find information about platform support and Cisco software image support. To access Cisco Feature Navigator, go to www.cisco.com/go/cfn. An account on Cisco.com is not required.

Information About IPv6 IPsec QoS

IPv6 IPsec QoS Overview

The IPv6 IPsec QoS feature applies the quality of service (QoS) policies to IPv6 IPsec. This feature supports the following functionalities:

- **Crypto LLQ QoS**—Traffic that is classified by QoS and marked as priority level 1 or 2 by traditional Cisco Modular QoS CLI (MQC) QoS configuration, for example PAK priority, is enqueued to the priority queue before the crypto processor. The low latency queuing (LLQ) for IPsec encryption engines helps reduce packet latency for priority traffic.
- **IPsec QoS Pre-Classify**—QoS pre-classify is configured under a crypto map to enable IPsec to save the original Layer 3 and Layer 4 header before the encryption so that QoS can do the classification using the saved header.

- QoS group-based LLQ—The QoS group-based LLQ feature allows IPsec to check the LLQ QoS group setting to determine whether a packet is a high priority packet before it is enqueued to low latency queuing (LLQ).

How to Configure IPv6 IPsec QoS

Configuring Crypto LLQ QoS

When IPsec and QoS are configured on a physical interface and if the QoS policy has priority class, IPsec will classify the packet based on the policy attached to the interface. It will enqueue the packet matching priority class into Low Latency Queue. The high-priority packet will be enqueued to low latency queuing (LLQ).

Perform this task to attach a service policy to the output interface and enable LLQ for IPsec encryption engines.

SUMMARY STEPS

1. **enable**
2. **configure terminal**
3. **interface** *physical-interface-name*
4. **ipv6 address** *{ipv6-address /prefix-length | prefix-name sub-bits/prefix-length}*
5. **service-policy output** *policy-map*
6. **ipv6 crypto map** *map-name*
7. **end**

DETAILED STEPS

	Command or Action	Purpose
Step 1	enable Example: Device> enable	Enables privileged EXEC mode. • Enter your password if prompted.
Step 2	configure terminal Example: Device# configure terminal	Enters global configuration mode.
Step 3	interface <i>physical-interface-name</i> Example: Device(config)# interface GigabitEthernet0/0/1	Specifies the interface using the LLQ for IPsec encryption engines.
Step 4	ipv6 address <i>{ipv6-address /prefix-length prefix-name sub-bits/prefix-length}</i> Example:	Configures an IPv6 address on an interface.

	Command or Action	Purpose
	Device(config-if)# ipv6 address 2001:DB8:FFFF::2/64	
Step 5	service-policy output <i>policy-map</i> Example: Device(config-if)# service-policy output pl	Attaches the specified service policy map to the output interface and enables LLQ for IPsec encryption engines.
Step 6	ipv6 crypto map <i>map-name</i> Example: Device(config-if)# ipv6 crypto map CMAP_1	Enables an IPv6 crypto map on an interface.
Step 7	end Example: Device(config-if)# end	Exits interface configuration mode and returns to privileged EXEC mode.

Configuring QoS Pre-classify

Configuring Pre-classify on the Crypto Map

The **qos pre-classify** command is applied on the crypto map, allowing configuration on a per-tunnel basis. QoS policy is applied to Packets based on the L3 and L4 Header before encryption.

Perform this task to apply the QoS pre-classify on the crypto map.

SUMMARY STEPS

1. **enable**
2. **configure terminal**
3. **ipv6 crypto map** *map-name*
4. **qos pre-classify**
5. **end**

DETAILED STEPS

	Command or Action	Purpose
Step 1	enable Example: Device> enable	Enables privileged EXEC mode. <ul style="list-style-type: none"> • Enter your password if prompted.
Step 2	configure terminal Example: Device# configure terminal	Enters global configuration mode.

	Command or Action	Purpose
Step 3	ipv6 crypto map <i>map-name</i> Example: Device(config-if)# ipv6 crypto map CM_V6	Enters crypto map configuration mode and specifies the crypto map to be configured.
Step 4	qos pre-classify Example: Device(config-if)# qos pre-classify	Enables QoS pre-classify on the crypto map.
Step 5	end Example: Device(config-if)# end	Exits interface configuration mode and returns to privileged EXEC mode.

Configuring Pre-classify on the Tunnel Interface

The **qos pre-classify** command is applied on the IPv6 IPsec tunnel interface, making QoS a configuration option on a per-tunnel basis.

Perform this task to apply the QOS pre-classify on the tunnel interface.

SUMMARY STEPS

1. **enable**
2. **configure terminal**
3. **interface** *tunnel-interface-name*
4. **ipv6 address** *{ipv6-address /prefix-length | prefix-name sub-bits/prefix-length}*
5. **qos pre-classify**
6. **end**

DETAILED STEPS

	Command or Action	Purpose
Step 1	enable Example: Device> enable	Enables privileged EXEC mode. • Enter your password if prompted.
Step 2	configure terminal Example: Device# configure terminal	Enters global configuration mode.
Step 3	interface <i>tunnel-interface-name</i> Example:	Enters interface configuration mode and specifies the tunnel or virtual interface to configure.

	Command or Action	Purpose
	Device(config)# interface Tunnel1	
Step 4	ipv6 address <i>{ipv6-address /prefix-length prefix-name sub-bits/prefix-length}</i> Example: Device(config-if)# ipv6 address 2001:DB8:FFFF::2/64	Configures an IPv6 address on an interface.
Step 5	qos pre-classify Example: Device(config-if)# qos pre-classify	Enables QoS pre-classify on the tunnel interface.
Step 6	end Example: Device(config-if)# end	Exits interface configuration mode and returns to privileged EXEC mode.

Configuring LLQ QoS Group

The **platform ipsec llq qos-group** command enables low latency queuing for traffic that matches the QoS groups configured with this command.

Perform this task to enable LLQ for QoS groups.

SUMMARY STEPS

1. **enable**
2. **configure terminal**
3. **platform ipsec llq qos-group** *group-number*
4. **end**

DETAILED STEPS

	Command or Action	Purpose
Step 1	enable Example: Device> enable	Enables privileged EXEC mode. <ul style="list-style-type: none"> • Enter your password if prompted.
Step 2	configure terminal Example: Device# configure terminal	Enters global configuration mode.

	Command or Action	Purpose
Step 3	platform ipsec llq qos-group <i>group-number</i> Example: Device(config)# platform ipsec llq qos-group 1	Specifies the QoS group to enable LLQ. Valid values are from 1 to 99.
Step 4	end Example: Device(config-if)# end	Exits interface configuration mode and returns to privileged EXEC mode.

Configuration Examples for QoS

Example: Configuring Crypto LLQ QoS

The following example shows how to specify the service policy map to the output interface and enable an IPv6 crypto map on an interface.

```
!
class-map match-all c2
  match precedence 5 6 7
class-map match-all c1
  match precedence 0 1 2 3

policy-map p1
  class c1
    priority percent 10
  class c2
    bandwidth remaining percent 3

crypto map ipv6 CMAP_1 1 ipsec-isakmp
  set peer address 2001:DB8:FFFF::1
  set transform-set ESP-3DES-SHA
  match address 102

interface GigabitEthernet0/0/1
  ipv6 address 2001:DB8:FFFF::2/64
  ipv6 crypto map CMAP_1
  service-policy output p1
```

Example: Configuring Pre-classify on the Crypto Map

The following example shows how to enable QoS pre-classification using the **qos pre-classify** command on the crypto map CM_V6.

```
!
crypto map ipv6 CM_V6 10 ipsec-isakmp
  match address ACL_IPV6_1
  set transform-set set1
```

```

    set peer 2001:DB8:FFFF::1
    qos pre-classify
  !
interface GigabitEthernet0/0/1
  ipv6 address 2001:DB8:FFFF::2/64
  service-policy output policy1
  ipv6 crypto map CM_V6

```

Example: Configuring Pre-classify on the Tunnel Interface

The following example shows how to enable QoS pre-classification using the **qos pre-classify** command on the tunnel interface tunnel1.

```

interface GigabitEthernet1/1/2
  ipv6 address 2001:DB8:1::F/64
  service-policy output policy1
  !
interface Tunnel1
  ipv6 address 2001:DB8:2::F/64
  qos pre-classify
  ipv6 mtu 1400
  tunnel protection ipsec profile greprof

```

Example: Configuring LLQ QoS Group

The following example shows how to configure low latency queuing on a QoS group.

```

  !
platform ipsec llq qos-group 1
platform ipsec llq qos-group 49
  !
  !
crypto map ipv6 cmap 1 ipsec-isakmp
  set peer 2001:DB8:FFFF:1::E/64
  set security-association lifetime seconds 600
  set transform-set aes-192
  match address 102
  !
  !
class-map match-all c1
  match precedence 5
class-map match-all c2
  match precedence 2
class-map match-all c3
  match precedence 4
class-map match-all c4
  match precedence 3
  !
policy-map pl
  class c3
    set qos-group 20
  class c1
    set qos-group 49
  class c4
    set qos-group 77
  !

```

```

policy-map p2
  class class-default
    set qos-group 1
!
interface GigabitEthernet0/2/0
  ipv6 address
  negotiation auto
  cdp enable
  ipv6 crypto map cmap
  service-policy input p2
!
!
interface GigabitEthernet0/2/7
  ipv6 address 2001:DB8:FFFF:1::F/64
  negotiation auto
  cdp enable
  service-policy input p1
!

```

Additional References for IPv6 IPsec QoS

Related Documents

Related Topic	Document Title
Cisco IOS commands	<i>Cisco IOS Master Command List, All Releases</i>
Security commands	<ul style="list-style-type: none"> • <i>Cisco IOS Security Command Reference Commands A to C</i> • <i>Cisco IOS Security Command Reference Commands D to L</i> • <i>Cisco IOS Security Command Reference Commands M to R</i> • <i>Cisco IOS Security Command Reference Commands S to Z</i>
IPv6 Commands	<i>IPv6 Command Reference</i>
QoS Commands	<i>Cisco IOS Quality of Service Solutions Command Reference</i>
IPv6 Addressing and Connectivity	<i>IPv6 Configuration Guide</i>

Technical Assistance

Description	Link
The Cisco Support and Documentation website provides online resources to download documentation, software, and tools. Use these resources to install and configure the software and to troubleshoot and resolve technical issues with Cisco products and technologies. Access to most tools on the Cisco Support and Documentation website requires a Cisco.com user ID and password.	http://www.cisco.com/cisco/web/support/index.html

Feature Information for IPv6 IPsec QoS

The following table provides release information about the feature or features described in this module. This table lists only the software release that introduced support for a given feature in a given software release train. Unless noted otherwise, subsequent releases of that software release train also support that feature.

Use Cisco Feature Navigator to find information about platform support and Cisco software image support. To access Cisco Feature Navigator, go to www.cisco.com/go/cfn. An account on Cisco.com is not required.

Table 9: Feature Information for IPv6 IPsec QoS

Feature Name	Releases	Feature Information
IPv6 IPsec QoS	15.4(1)S	<p>The IPv6 IPsec QoS feature allows the QoS policies to be applied to IPv6 IPsec. This feature supports the following functionalities:</p> <ul style="list-style-type: none"> • Crypto LLQ QoS • IPsec QoS Pre-Classify • QoS group-based LLQ <p>The following command was modified: ipv6 crypto map</p>



CHAPTER 10

IPv6 Virtual Tunnel Interface

Cisco IOS IPv6 security features for your Cisco networking devices can protect your network against degradation or failure and also against data loss or compromise resulting from intentional attacks and from unintended but damaging mistakes by well-meaning network users.

Cisco IOS IPsec functionality provides network data encryption at the IP packet level, offering robust, standards-based security. IPsec provides data authentication and antireplay services in addition to data confidentiality services.

IPsec is a mandatory component of IPv6 specification. IPv6 IPsec tunnel mode and encapsulation is used to protect IPv6 unicast and multicast traffic. This document provides information about implementing IPsec in IPv6 security.

- [Finding Feature Information, on page 83](#)
- [Information About IPv6 Virtual Tunnel Interface, on page 83](#)
- [How to Configure IPv6 Virtual Tunnel Interface, on page 85](#)
- [Configuration Examples for IPv6 Virtual Tunnel Interface, on page 96](#)
- [Additional References, on page 96](#)
- [Feature Information for IPv6 Virtual Tunnel Interface, on page 97](#)

Finding Feature Information

Your software release may not support all the features documented in this module. For the latest caveats and feature information, see [Bug Search Tool](#) and the release notes for your platform and software release. To find information about the features documented in this module, and to see a list of the releases in which each feature is supported, see the feature information table.

Use Cisco Feature Navigator to find information about platform support and Cisco software image support. To access Cisco Feature Navigator, go to www.cisco.com/go/cfn. An account on Cisco.com is not required.

Information About IPv6 Virtual Tunnel Interface

IPsec for IPv6

IP Security, or IPsec, is a framework of open standards developed by the Internet Engineering Task Force (IETF) that provide security for transmission of sensitive information over unprotected networks such as the

Internet. IPsec acts at the network layer, protecting and authenticating IP packets between participating IPsec devices (peers), such as Cisco routers. IPsec provides the following optional network security services. In general, local security policy will dictate the use of one or more of these services:

- Data confidentiality--The IPsec sender can encrypt packets before sending them across a network.
- Data integrity--The IPsec receiver can authenticate packets sent by the IPsec sender to ensure that the data has not been altered during transmission.
- Data origin authentication--The IPsec receiver can authenticate the source of the IPsec packets sent. This service depends upon the data integrity service.
- Antireplay--The IPsec receiver can detect and reject replayed packets.

With IPsec, data can be sent across a public network without observation, modification, or spoofing. IPsec functionality is similar in both IPv6 and IPv4; however, site-to-site tunnel mode only is supported in IPv6.

In IPv6, IPsec is implemented using the AH authentication header and the ESP extension header. The authentication header provides integrity and authentication of the source. It also provides optional protection against replayed packets. The authentication header protects the integrity of most of the IP header fields and authenticates the source through a signature-based algorithm. The ESP header provides confidentiality, authentication of the source, connectionless integrity of the inner packet, antireplay, and limited traffic flow confidentiality.

The Internet Key Exchange (IKE) protocol is a key management protocol standard that is used in conjunction with IPsec. IPsec can be configured without IKE, but IKE enhances IPsec by providing additional features, flexibility, and ease of configuration for the IPsec standard.

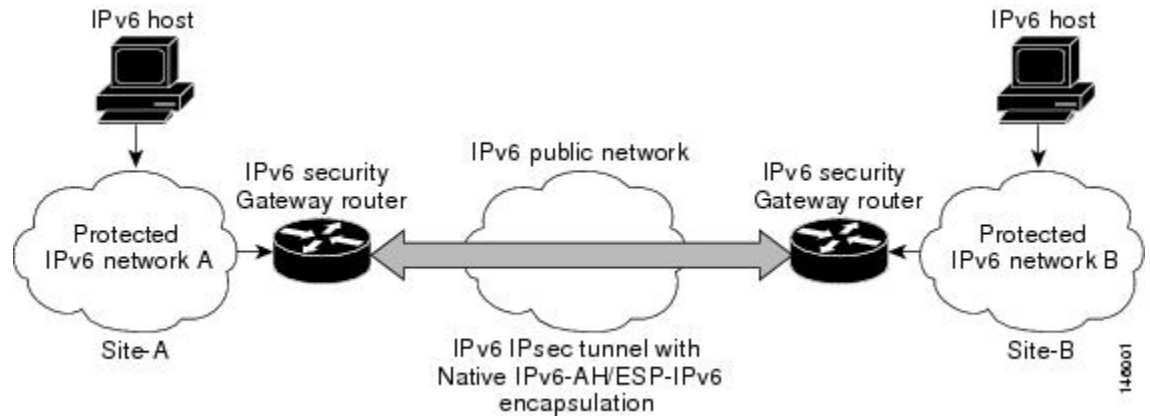
IKE is a hybrid protocol that implements the Oakley key exchange and Skeme key exchange inside the Internet Security Association Key Management Protocol (ISAKMP) framework (ISAKMP, Oakley, and Skeme are security protocols implemented by IKE) (see the figure below). This functionality is similar to the security gateway model using IPv4 IPsec protection.

IPv6 IPsec Site-to-Site Protection Using Virtual Tunnel Interface

The IPsec virtual tunnel interface (VTI) provides site-to-site IPv6 crypto protection of IPv6 traffic. Native IPv6 IPsec encapsulation is used to protect all types of IPv6 unicast and multicast traffic.

The IPsec VTI allows IPv6 routers to work as security gateways, establish IPsec tunnels between other security gateway routers, and provide crypto IPsec protection for traffic from internal networks when it is sent across the public IPv6 Internet (see the figure below). This functionality is similar to the security gateway model using IPv4 IPsec protection.

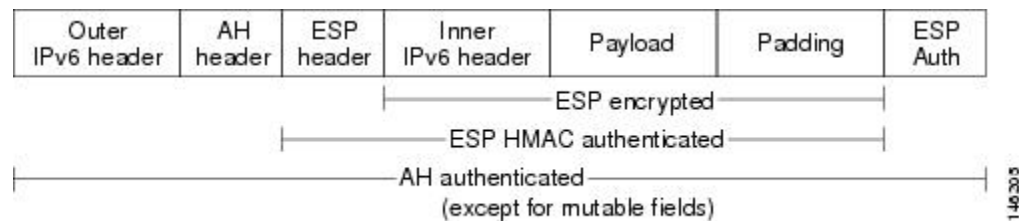
Figure 6: IPsec Tunnel Interface for IPv6



When the IPsec tunnel is configured, IKE and IPsec security associations (SAs) are negotiated and set up before the line protocol for the tunnel interface is changed to the UP state. The remote IKE peer is the same as the tunnel destination address; the local IKE peer will be the address picked from tunnel source interface which has the same IPv6 address scope as tunnel destination address.

The following figures shows the IPsec packet format.

Figure 7: IPv6 IPsec Packet Format



How to Configure IPv6 Virtual Tunnel Interface

Configuring a VTI for Site-to-Site IPv6 IPsec Protection

Defining an IKE Policy and a Preshared Key in IPv6

Because IKE negotiations must be protected, each IKE negotiation begins by agreement of both peers on a common (shared) IKE policy. This policy states which security parameters will be used to protect subsequent IKE negotiations and mandates how the peers are authenticated.

After the two peers agree upon a policy, the security parameters of the policy are identified by an SA established at each peer, and these SAs apply to all subsequent IKE traffic during the negotiation.

You can configure multiple, prioritized policies on each peer--each with a different combination of parameter values. However, at least one of these policies must contain exactly the same encryption, hash, authentication,

and Diffie-Hellman parameter values as one of the policies on the remote peer. For each policy that you create, you assign a unique priority (1 through 10,000, with 1 being the highest priority).



Note If you are interoperating with a device that supports only one of the values for a parameter, your choice is limited to the value supported by the other device. Aside from this limitation, there is often a trade-off between security and performance, and many of these parameter values represent such a trade-off. You should evaluate the level of security risks for your network and your tolerance for these risks.

When the IKE negotiation begins, IKE searches for an IKE policy that is the same on both peers. The peer that initiates the negotiation will send all its policies to the remote peer, and the remote peer will try to find a match. The remote peer looks for a match by comparing its own highest priority policy against the policies received from the other peer. The remote peer checks each of its policies in order of its priority (highest priority first) until a match is found.

A match is made when both policies from the two peers contain the same encryption, hash, authentication, and Diffie-Hellman parameter values, and when the remote peer's policy specifies a lifetime that is less than or equal to the lifetime in the policy being compared. (If the lifetimes are not identical, the shorter lifetime--from the remote peer's policy--will be used.)

If a match is found, IKE will complete negotiation, and IPsec security associations will be created. If no acceptable match is found, IKE refuses negotiation and IPsec will not be established.



Note Depending on which authentication method is specified in a policy, additional configuration might be required. If a peer's policy does not have the required companion configuration, the peer will not submit the policy when attempting to find a matching policy with the remote peer.

You should set the ISAKMP identity for each peer that uses preshared keys in an IKE policy.

When two peers use IKE to establish IPsec SAs, each peer sends its identity to the remote peer. Each peer sends either its hostname or its IPv6 address, depending on how you have set the ISAKMP identity of the router.

By default, a peer's ISAKMP identity is the IPv6 address of the peer. If appropriate, you could change the identity to be the peer's hostname instead. As a general rule, set the identities of all peers the same way--either all peers should use their IPv6 addresses or all peers should use their hostnames. If some peers use their hostnames and some peers use their IPv6 addresses to identify themselves to each other, IKE negotiations could fail if the identity of a remote peer is not recognized and a DNS lookup is unable to resolve the identity.

Perform this task to create an IKE policy and a preshared key in IPv6.

SUMMARY STEPS

1. **enable**
2. **configure terminal**
3. **crypto isakmp policy** *priority*
4. **authentication** {*rsa-sig* | *rsa-encr* | *pre-share*}
5. **hash** {*sha* | *md5*}
6. **group** {*1* | *2* | *5*}
7. **encryption** {*des* | *3des* | *aes* | *aes 192* | *aes 256*}

8. **lifetime** *seconds*
9. **exit**
10. **crypto isakmp key** *password-type* *keysting* *keysting* { **address** *peer-address* | **ipv6** {*ipv6-address* | *ipv6-prefix*} | **hostname** *hostname*} [**no-xauth**]
11. **crypto keyring** *keyring-name* [*vrf* *vrf-name*]
12. **pre-shared-key** {**address** *address* [*mask*] | **hostname** *hostname* | **ipv6** {*ipv6-address* | *ipv6-prefix*}}
key *key*

DETAILED STEPS

	Command or Action	Purpose
Step 1	enable Example: Router> enable	Enables privileged EXEC mode. • Enter your password if prompted.
Step 2	configure terminal Example: Router# configure terminal	Enters global configuration mode.
Step 3	crypto isakmp policy <i>priority</i> Example: Router(config)# crypto isakmp policy 15	Defines an IKE policy, and enters ISAKMP policy configuration mode. • Policy number 1 indicates the policy with the highest priority. The smaller the <i>priority</i> argument value, the higher the priority.
Step 4	authentication { <i>rsa-sig</i> <i>rsa-encr</i> <i>pre-share</i> } Example: Router(config-isakmp-policy)# authentication pre-share	Specifies the authentication method within an IKE policy. • The <i>rsa-sig</i> and <i>rsa-encr</i> keywords are not supported in IPv6.
Step 5	hash { <i>sha</i> <i>md5</i> } Example: Router(config-isakmp-policy)# hash md5	Specifies the hash algorithm within an IKE policy.
Step 6	group { <i>1</i> <i>2</i> <i>5</i> } Example: Router(config-isakmp-policy)# group 2	Specifies the Diffie-Hellman group identifier within an IKE policy.
Step 7	encryption { <i>des</i> <i>3des</i> <i>aes</i> <i>aes 192</i> <i>aes 256</i> } Example: Router(config-isakmp-policy)# encryption 3des	Specifies the encryption algorithm within an IKE policy.

	Command or Action	Purpose
Step 8	lifetime <i>seconds</i> Example: Router(config-isakmp-policy)# lifetime 43200	Specifies the lifetime of an IKE SA. <ul style="list-style-type: none"> Setting the IKE lifetime value is optional.
Step 9	exit Example: Router(config-isakmp-policy)# exit	Exits ISAKMP policy configuration mode and enter global configuration mode.
Step 10	crypto isakmp key <i>password-type</i> <i>keystring</i> <i>keystring</i> { address <i>peer-address</i> ipv6 { <i>ipv6-address</i> / <i>ipv6-prefix</i> } hostname <i>hostname</i> } [no-xauth] Example: Router(config)# crypto isakmp key 0 my-preshare-key-0 address ipv6 3ffe:1001::2/128	Configures a preshared authentication key.
Step 11	crypto keyring <i>keyring-name</i> [vrf <i>fvr-f-name</i>] Example: Router(config)# crypto keyring keyring1	Defines a crypto keyring to be used during IKE authentication and enters config-keyring mode.
Step 12	pre-shared-key { address <i>address</i> [<i>mask</i>] hostname <i>hostname</i> ipv6 { <i>ipv6-address</i> <i>ipv6-prefix</i> }} key <i>key</i> Example: Router (config-keyring)# pre-shared-key ipv6 3FFE:2002::A8BB:CCFF:FE01:2C02/128	Defines a preshared key to be used for IKE authentication.

Configuring ISAKMP Aggressive Mode

You likely do not need to configure aggressive mode in a site-to-site scenario. The default mode is typically used.

SUMMARY STEPS

- enable**
- configure terminal**
- crypto isakmp peer** {**address** {*ipv4-address* | **ipv6** *ipv6-address* *ipv6-prefix-length*} | **hostname** *fqdn-hostname*}
- set aggressive-mode client-endpoint** {*client-endpoint* | **ipv6** *ipv6-address*}
- end**

DETAILED STEPS

	Command or Action	Purpose
Step 1	enable Example: <pre>Router> enable</pre>	Enables privileged EXEC mode. <ul style="list-style-type: none"> • Enter your password if prompted.
Step 2	configure terminal Example: <pre>Router# configure terminal</pre>	Enters global configuration mode.
Step 3	crypto isakmp peer <i>{address {ipv4-address ipv6 ipv6-address ipv6-prefix-length} hostname fqdn-hostname}</i> Example: <pre>Router(config)# crypto isakmp peer address ipv6 3FFE:2002::A8BB:CCFF:FE01:2C02/128</pre>	Enables an IPsec peer for IKE querying for tunnel attributes.
Step 4	set aggressive-mode client-endpoint <i>{client-endpoint ipv6 ipv6-address}</i> Example: <pre>Router(config-isakmp-peer)# set aggressive mode client-endpoint ipv6 3FFE:2002::A8BB:CCFF:FE01:2C02/128</pre>	Defines the remote peer's IPv6 address, which will be used by aggressive mode negotiation. The remote peer's address is usually the client side's end-point address.
Step 5	end Example: <pre>Router(config-isakmp-peer)# end</pre>	Exits crypto ISAKMP peer configuration mode and returns to privileged EXEC mode.

Defining an IPsec Transform Set and IPsec Profile

Perform this task to define an IPsec transform set. A transform set is a combination of security protocols and algorithms that is acceptable to the IPsec routers.

SUMMARY STEPS

1. **enable**
2. **configure terminal**
3. **crypto ipsec transform-set** *transform-set-name transform1 [transform2] [transform3] [transform4]*
4. **crypto ipsec profile** *name*
5. **set transform-set** *transform-set-name [transform-set-name2...transform-set-name6]*

DETAILED STEPS

	Command or Action	Purpose
Step 1	enable	Enables privileged EXEC mode.

	Command or Action	Purpose
	Example: Router> enable	<ul style="list-style-type: none"> Enter your password if prompted.
Step 2	configure terminal Example: Router# configure terminal	Enters global configuration mode.
Step 3	crypto ipsec transform-set <i>transform-set-name</i> <i>transform1</i> [<i>transform2</i>] [<i>transform3</i>] [<i>transform4</i>] Example: Router(config)# crypto ipsec transform-set myset0 ah-sha-hmac esp-3des	Defines a transform set, and places the router in crypto transform configuration mode.
Step 4	crypto ipsec profile <i>name</i> Example: Router(config)# crypto ipsec profile profile0	Defines the IPsec parameters that are to be used for IPsec encryption between two IPsec routers.
Step 5	set transform-set <i>transform-set-name</i> <i>[transform-set-name2...transform-set-name6]</i> Example: Router (config-crypto-transform)# set-transform-set myset0	Specifies which transform sets can be used with the crypto map entry.

Defining an ISAKMP Profile in IPv6

SUMMARY STEPS

- enable
- configure terminal
- crypto isakmp profile *profile-name* [accounting *aaalist*
- self-identity {address | address ipv6} | fqdn | user-fqdn *user-fqdn*}
- match identity {group *group-name* | address {*address* [*mask*] [*vrf*] | ipv6 *ipv6-address*} | host *host-name* | host domain *domain-name* | user *user-fqdn* | user domain *domain-name*}
- end

DETAILED STEPS

	Command or Action	Purpose
Step 1	enable Example: Router> enable	Enables privileged EXEC mode. <ul style="list-style-type: none"> Enter your password if prompted.

	Command or Action	Purpose
Step 2	configure terminal Example: Router# configure terminal	Enters global configuration mode.
Step 3	crypto isakmp profile <i>profile-name</i> [accounting <i>aaalist</i>] Example: Router(config)# crypto isakmp profile profile1	Defines an ISAKMP profile and audits IPsec user sessions.
Step 4	self-identity { address address ipv6] fqdn user-fqdn <i>user-fqdn</i> } Example: Router(config-isakmp-profile)# self-identity address ipv6	Defines the identity that the local IKE uses to identify itself to the remote peer.
Step 5	match identity { group <i>group-name</i> address { <i>address</i> [<i>mask</i>] [<i>fvr</i>]} ipv6 <i>ipv6-address</i> } host <i>host-name</i> host domain <i>domain-name</i> user <i>user-fqdn</i> user domain <i>domain-name</i> } Example: Router(config-isakmp-profile)# match identity address ipv6 3FFE:2002::A8BB:CCFF:FE01:2C02/128	Matches an identity from a remote peer in an ISAKMP profile.
Step 6	end Example: Router(config-isakmp-profile)# end	Exits ISAKMP profile configuration mode and returns to privileged EXEC mode.

Configuring IPv6 IPsec VTI

Before you begin

Use the **ipv6 unicast-routing** command to enable IPv6 unicast routing.

SUMMARY STEPS

1. **enable**
2. **configure terminal**
3. **ipv6 unicast-routing**
4. **interface tunnel** *tunnel-number*
5. **ipv6 address** *ipv6-address/prefix*
6. **ipv6 enable**
7. **tunnel source** {*ip-address* | *ipv6-address* | *interface-type interface-number*}
8. **tunnel destination** {*host-name* | *ip-address* | *ipv6-address*}

9. **tunnel mode** {aurp | cayman | dvmrp | eon | gre | gre multipoint | gre ipv6 | ipip [decapsulate-any] | ipsec ipv4 | iptalk | ipv6 | ipsec ipv6 | mpls | nos | rbsep}
10. **tunnel protection ipsec profile** *name* [shared]
11. **end**

DETAILED STEPS

	Command or Action	Purpose
Step 1	enable Example: <pre>Router> enable</pre>	Enables privileged EXEC mode. <ul style="list-style-type: none"> • Enter your password if prompted.
Step 2	configure terminal Example: <pre>Router# configure terminal</pre>	Enters global configuration mode.
Step 3	ipv6 unicast-routing Example: <pre>Router(config)# ipv6 unicast-routing</pre>	Enables IPv6 unicast routing. You only need to enable IPv6 unicast routing once, not matter how many interface tunnels you want to configure.
Step 4	interface tunnel <i>tunnel-number</i> Example: <pre>Router(config)# interface tunnel 0</pre>	Specifies a tunnel interface and number, and enters interface configuration mode.
Step 5	ipv6 address <i>ipv6-address/prefix</i> Example: <pre>Router(config-if)# ipv6 address 3FFE:C000:0:7::/64 eui-64</pre>	Provides an IPv6 address to this tunnel interface, so that IPv6 traffic can be routed to this tunnel.
Step 6	ipv6 enable Example: <pre>Router(config-if)# ipv6 enable</pre>	Enables IPv6 on this tunnel interface.
Step 7	tunnel source { <i>ip-address</i> <i>ipv6-address</i> <i>interface-type</i> <i>interface-number</i> } Example: <pre>Router(config-if)# tunnel source ethernet0</pre>	Sets the source address for a tunnel interface.
Step 8	tunnel destination { <i>host-name</i> <i>ip-address</i> <i>ipv6-address</i> } Example:	Specifies the destination for a tunnel interface.

	Command or Action	Purpose
	Router(config-if)# tunnel destination 2001:DB8:1111:2222::1	
Step 9	tunnel mode {aurp cayman dvmrp eon gre gre multipoint gre ipv6 ipip [decapsulate-any] ipsec ipv4 iptalk ipv6 ipsec ipv6 mpls nos rbscp} Example: Router(config-if)# tunnel mode ipsec ipv6	Sets the encapsulation mode for the tunnel interface. For IPsec, only the ipsec ipv6 keywords are supported.
Step 10	tunnel protection ipsec profile <i>name</i> [shared] Example: Router(config-if)# tunnel protection ipsec profile profile1	Associates a tunnel interface with an IPsec profile. IPv6 does not support the shared keyword.
Step 11	end Example: Router(config-if)# end	Exits interface configuration mode and returns to privileged EXEC mode.

Verifying IPsec Tunnel Mode Configuration

SUMMARY STEPS

1. **show adjacency** [summary [*interface-type interface-number*]] | [prefix] [interface *interface-number*] [connectionid *id*] [link {ipv4| ipv6 | mpls}] [detail]
2. **show crypto engine** {accelerator | brief | configuration | connections [active | dh | dropped-packet | show] | qos}
3. **show crypto ipsec sa** [ipv6] [*interface-type interface-number*] [detailed]
4. **show crypto isakmp peer** [config | detail]
5. **show crypto isakmp policy**
6. **show crypto isakmp profile** [tag *profilename* | vrf *vrfname*]
7. **show crypto map** [interface *interface* | tag *map-name*]
8. **show crypto session** [detail] | [local *ip-address* [port *local-port*] | remote *ip-address* [port *remote-port*]] | detail | fvfr *vrf-name* | ivrf *vrf-name*]
9. **show crypto socket**
10. **show ipv6 access-list** [*access-list-name*]
11. **show ipv6 cef** [*ipv6-prefix / prefix-length*] | [*interface-type interface-number*] [longer-prefixes | similar-prefixes | detail | internal | platform | epoch | source]]
12. **show interface** *type number* stats

DETAILED STEPS

	Command or Action	Purpose
Step 1	show adjacency [summary [<i>interface-type interface-number</i>]] [prefix [<i>interface interface-number</i>]] [connectionid <i>id</i>] [link { ipv4 ipv6 mpls }] [detail] Example: Router# show adjacency detail	Displays information about the Cisco Express Forwarding adjacency table or the hardware Layer 3-switching adjacency table.
Step 2	show crypto engine { accelerator brief configuration connections [active dh dropped-packet show] qos } Example: Router# show crypto engine connection active	Displays a summary of the configuration information for the crypto engines.
Step 3	show crypto ipsec sa [ipv6] [<i>interface-type interface-number</i>] [detailed] Example: Router# show crypto ipsec sa ipv6	Displays the settings used by current SAs in IPv6.
Step 4	show crypto isakmp peer [config detail] Example: Router# show crypto isakmp peer detail	Displays peer descriptions.
Step 5	show crypto isakmp policy Example: Router# show crypto isakmp policy	Displays the parameters for each IKE policy.
Step 6	show crypto isakmp profile [tag <i>profilename</i> vrf <i>vrfname</i>] Example: Router# show crypto isakmp profile	Lists all the ISAKMP profiles that are defined on a router.
Step 7	show crypto map [interface <i>interface</i> tag <i>map-name</i>] Example: Router# show crypto map	Displays the crypto map configuration. The crypto maps shown in this command output are dynamically generated. The user does not have to configure crypto maps.
Step 8	show crypto session [detail] [local <i>ip-address</i> [port <i>local-port</i>]] [remote <i>ip-address</i> [port <i>remote-port</i>]] [detail] fvfr <i>vrf-name</i> ivrf <i>vrf-name</i>] Example: Router# show crypto session	Displays status information for active crypto sessions. IPv6 does not support the fvfr or ivrf keywords or the <i>vrf-name</i> argument.

	Command or Action	Purpose
Step 9	show crypto socket Example: Router# show crypto socket	Lists crypto sockets.
Step 10	show ipv6 access-list [<i>access-list-name</i>] Example: Router# show ipv6 access-list	Displays the contents of all current IPv6 access lists.
Step 11	show ipv6 cef [<i>ipv6-prefix / prefix-length</i>] [<i>interface-type interface-number</i>] [longer-prefixes similar-prefixes detail internal platform epoch source] Example: Router# show ipv6 cef	Displays entries in the IPv6 Forwarding Information Base (FIB).
Step 12	show interface <i>type number</i> stats Example: Router# show interface fddi 3/0/0 stats	Displays numbers of packets that were process switched, fast switched, and distributed switched.

Troubleshooting IPsec for IPv6 Configuration and Operation

SUMMARY STEPS

1. enable
2. debug crypto ipsec
3. debug crypto engine packet [detail]

DETAILED STEPS

	Command or Action	Purpose
Step 1	enable Example: Router# enable	Enables privileged EXEC mode. <ul style="list-style-type: none"> • Enter your password if prompted.
Step 2	debug crypto ipsec Example: Router# debug crypto ipsec	Displays IPsec network events.
Step 3	debug crypto engine packet [detail] Example:	Displays the contents of IPv6 packets.

	Command or Action	Purpose
	Router# debug crypto engine packet	Caution Using this command could flood the system and increase CPU usage if several packets are being encrypted.

Configuration Examples for IPv6 Virtual Tunnel Interface

Example: Configuring a VTI for Site-to-Site IPv6 IPsec Protection

```

crypto isakmp policy 1
  encryption aes
  authentication pre-share
  group 14
!
crypto isakmp key myPreshareKey0 address ipv6 3FFE:2002::A8BB:CCFF:FE01:2C02/128
crypto isakmp keepalive 30 30
!
crypto ipsec transform-set Trans1 ah-sha-hmac esp-aes
!
crypto ipsec profile profile0
  set transform-set Trans1
!
ipv6 cef
!
interface Tunnel0
  ipv6 address 3FFE:1001::/64 eui-64
  ipv6 enable
  ipv6 cef
  tunnel source Ethernet2/0
  tunnel destination 3FFE:2002::A8BB:CCFF:FE01:2C02
  tunnel mode ipsec ipv6
  tunnel protection ipsec profile profile0

```

Additional References

Related Documents

Related Topic	Document Title
Cisco IOS commands	Cisco IOS Master Commands List, All Releases
Security commands	Cisco IOS Security Command Reference
QoS Commands	Cisco IOS Quality of Service Solutions Command Reference
Weighted Fair Queuing	Configuring Weighted Fair Queuing feature module.

MIBs

MIB	MIBs Link
None	To locate and download MIBs for selected platforms, Cisco software releases, and feature sets, use Cisco MIB Locator found at the following URL: http://www.cisco.com/go/mibs

Technical Assistance

Description	Link
The Cisco Support and Documentation website provides online resources to download documentation, software, and tools. Use these resources to install and configure the software and to troubleshoot and resolve technical issues with Cisco products and technologies. Access to most tools on the Cisco Support and Documentation website requires a Cisco.com user ID and password.	http://www.cisco.com/cisco/web/support/index.html

Feature Information for IPv6 Virtual Tunnel Interface

The following table provides release information about the feature or features described in this module. This table lists only the software release that introduced support for a given feature in a given software release train. Unless noted otherwise, subsequent releases of that software release train also support that feature.

Use Cisco Feature Navigator to find information about platform support and Cisco software image support. To access Cisco Feature Navigator, go to www.cisco.com/go/cfn. An account on Cisco.com is not required.

Table 10: Feature Information for IPv6 Virtual Tunnel Interface

Feature Name	Releases	Feature Information
IPv6 Virtual Tunnel Interface	Cisco IOS XE Release 2.4	<p>IPsec is a framework of open standards that provide security for transmission of sensitive information over unprotected networks such as the Internet. IPsec acts at the network layer, protecting and authenticating IP packets between participating IPsec devices (peers), such as Cisco routers.</p> <p>The following commands were introduced or modified:</p> <p>authentication (IKE policy), crypto ipsec profile, crypto isakmp key, crypto isakmp peer, crypto isakmp policy, crypto isakmp profile, crypto keyring, debug crypto ipv6 ipsec, encryption (IKE policy), group (IKE policy), hash (IKE policy), lifetime (IKE policy), match identity, pre-shared-key, self-identity, set aggressive-mode client-endpoint, set transform-set, show adjacency, show crypto engine, show crypto ipsec sa, show crypto isakmp peers, show crypto isakmp policy, show crypto isakmp profile, show crypto map, show crypto session, show crypto socket, show ipv6 access-list, show ipv6 cef, tunnel destination, tunnel mode, tunnel source.</p>



INDEX

D

- DF Bit Override Functionality with IPsec Tunnels [61](#), [62](#), [64](#)
 - Additional references [64](#)
 - Prerequisites [61](#)
 - Restrictions [62](#)

I

- invalid security parameter index recovery [23](#), [24](#), [25](#), [36](#)
 - additional references [36](#)
 - prerequisites [23](#)
 - restrictions [24](#)
 - verifying [25](#)

- IP multicast routing [93](#)
 - MDS [93](#)
 - packet statistics, displaying [93](#)
- IPsec [83](#)
 - IPsec Anti-Replay Window [15](#)
 - Expanding and Disabling [15](#)
 - IPsec Anti-Replay Window [6](#)
 - Expanding and Disabling [6](#)
 - configuration examples [6](#)
 - IPsec dead peer detection periodic message option [39](#), [40](#), [47](#)
 - additional references [47](#)
 - prerequisites [39](#)
 - restrictions [40](#)

