



# IPv6 Switching: Provider Edge Device over MPLS

Multiprotocol Label Switching (MPLS) is deployed by many service providers in their IPv4 networks. Service providers want to introduce IPv6 services to their customers, but changes to their existing IPv4 infrastructure can be expensive and the cost benefit for a small amount of IPv6 traffic does not make economic sense. Several integration scenarios have been developed to leverage an existing IPv4 MPLS infrastructure and add IPv6 services without requiring any changes to the network backbone. This document describes how to implement IPv6 over MPLS.

- [Finding Feature Information, page 1](#)
- [Prerequisites for IPv6 Switching: Provider Edge Device over MPLS, page 1](#)
- [Information About IPv6 Switching: Provider Edge Device over MPLS, page 2](#)
- [How to Deploy IPv6 Switching: Provider Edge Device over MPLS, page 5](#)
- [Configuration Examples for IPv6 Switching: Provider Edge Device over MPLS, page 9](#)
- [Additional References for IPv6 Switching: Provider Edge Router over MPLS, page 13](#)
- [Feature Information for IPv6 Switching: Provider Edge Device over MPLS, page 13](#)

## Finding Feature Information

Your software release may not support all the features documented in this module. For the latest caveats and feature information, see [Bug Search Tool](#) and the release notes for your platform and software release. To find information about the features documented in this module, and to see a list of the releases in which each feature is supported, see the feature information table at the end of this module.

Use Cisco Feature Navigator to find information about platform support and Cisco software image support. To access Cisco Feature Navigator, go to [www.cisco.com/go/cfn](http://www.cisco.com/go/cfn). An account on Cisco.com is not required.

## Prerequisites for IPv6 Switching: Provider Edge Device over MPLS

Before the IPv6 Provider Edge Device over MPLS (6PE) feature can be implemented, MPLS must be running over the core IPv4 network. If Cisco devices are used, Cisco Express Forwarding or distributed Cisco Express

Forwarding must be enabled for both IPv4 and IPv6 protocols. This module assumes that you are familiar with MPLS.

## Information About IPv6 Switching: Provider Edge Device over MPLS

### Benefits of Deploying IPv6 over MPLS Backbones

IPv6 over MPLS backbones enables isolated IPv6 domains to communicate with each other over an MPLS IPv4 core network. This implementation requires only a few backbone infrastructure upgrades and no reconfiguration of core devices because forwarding is based on labels rather than the IP header itself, providing a very cost-effective strategy for the deployment of IPv6.

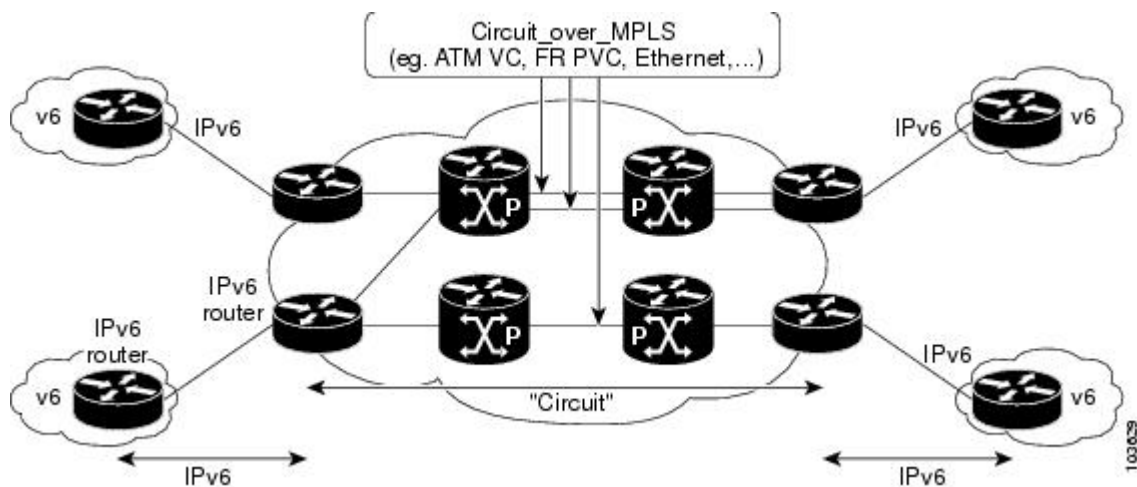
Additionally, the inherent Virtual Private Network (VPN) and MPLS traffic engineering (MPLS-TE) services available within an MPLS environment allow IPv6 networks to be combined into IPv4 VPNs or extranets over an infrastructure supporting IPv4 VPNs and MPLS-TE.

### IPv6 over a Circuit Transport over MPLS

Using any circuit transport for deploying IPv6 over MPLS networks has no impact on the operation or infrastructure of MPLS, and requires no configuration changes to the core or provider edge devices. Communication between the remote IPv6 domains runs native IPv6 protocols over a dedicated link, where the underlying mechanisms are fully transparent to IPv6. The IPv6 traffic is tunneled using the Any Transport over MPLS (MPLS/AToM) or Ethernet over MPLS (EoMPLS) feature with the devices connected through an ATM OC-3 or Ethernet interface, respectively.

The figure below shows the configuration for IPv6 over any circuit transport over MPLS.

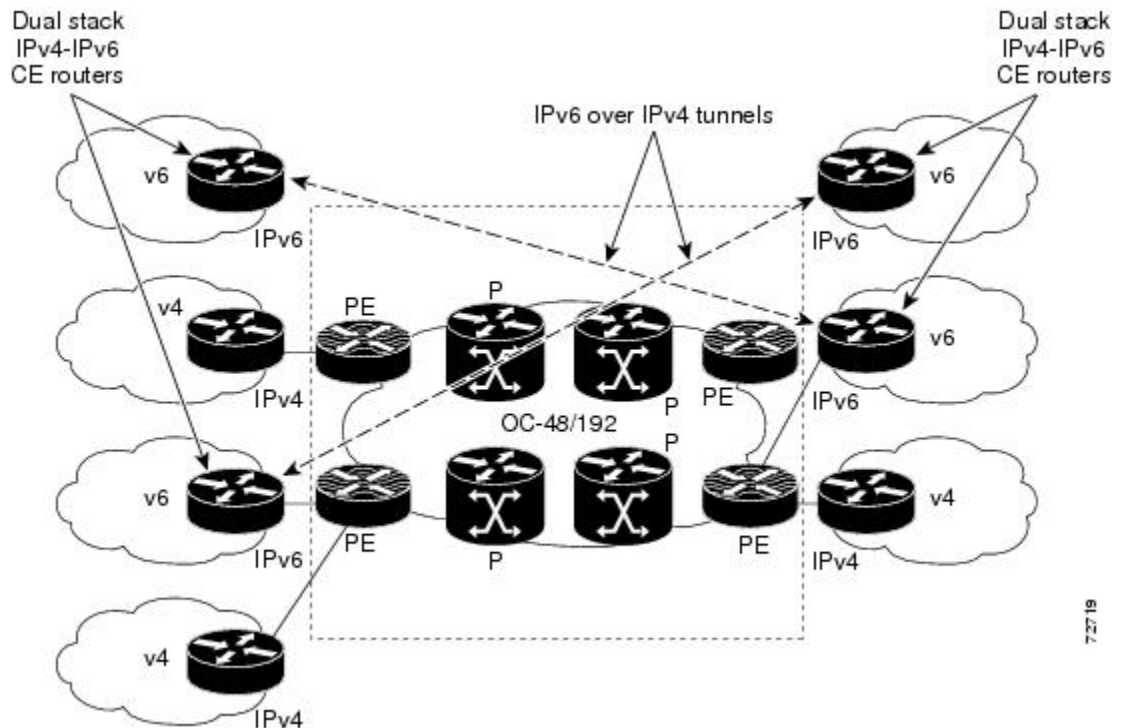
**Figure 1: IPv6 over a Circuit Transport over MPLS**



## IPv6 Using Tunnels on the Customer Edge Devices

Using tunnels on the customer edge (CE) devices is the simplest way of deploying IPv6 over MPLS networks with no impact on the operation or infrastructure of MPLS, and no configuration changes to the core or provider edge devices. Communication between the remote IPv6 domains uses standard tunneling mechanisms and requires the CE devices to be configured to run dual IPv4 and IPv6 protocol stacks. The figure below shows the configuration using tunnels on the CE devices.

**Figure 2: IPv6 Using Tunnels on the CE Devices**



Refer to Implementing Tunneling for IPv6 for configuration information on manually configured tunnels, automatic tunnels, and 6to4 tunnels.

Limitations on using tunnels involve the manual configuring of a mesh of tunnels on the CE devices, creating scaling issues for large networks.

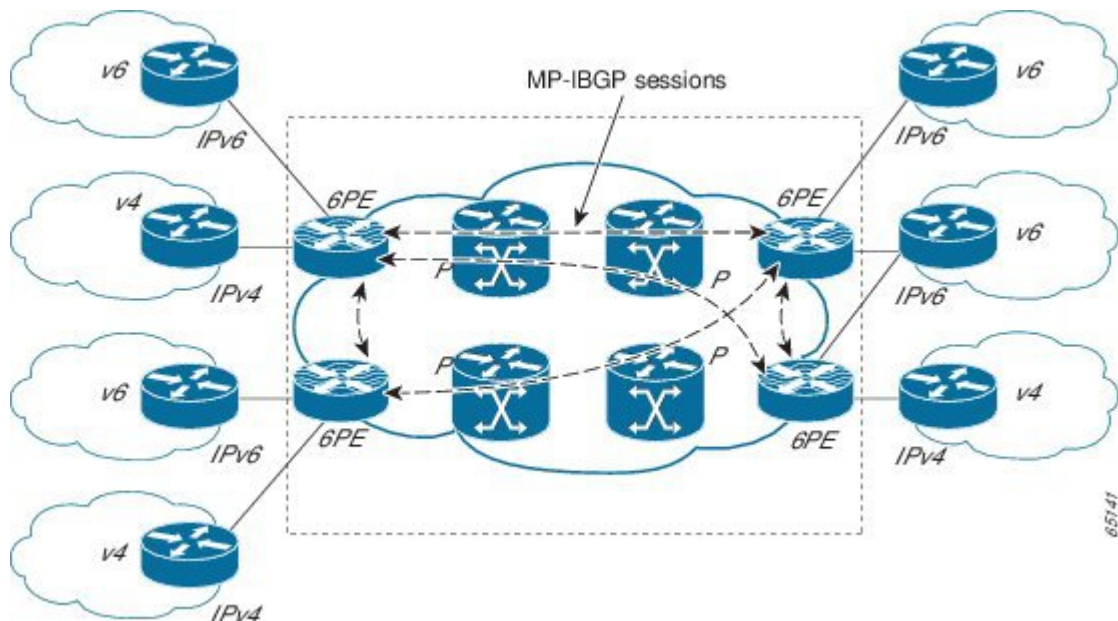
## IPv6 on the Provider Edge Devices

The Cisco implementation of IPv6 provider edge device over MPLS is called 6PE, and it enables IPv6 sites to communicate with each other over an MPLS IPv4 core network using MPLS label switched paths (LSPs). This feature relies on multiprotocol Border Gateway Protocol (BGP) extensions in the IPv4 network configuration on the provider edge (PE) device to exchange IPv6 reachability information in addition to an MPLS label for each IPv6 address prefix to be advertised. Edge devices are configured to be dual stack running both IPv4 and IPv6, and use the IPv4 mapped IPv6 address for IPv6 prefix reachability exchange.

A hierarchy of labels is imposed on the 6PE ingress device to keep the IPv6 traffic transparent to all the core devices. The top label provides connectivity inside the IPv4 MPLS core network and the label is distributed by Label Distribution Protocol (LDP), Tag Distribution Protocol (TDP), or Resource Reservation Protocol (RSVP). TDP and LDP can both be used for label distribution, but RSVP is used only in the context of MPLS-TE label exchange. The bottom label, automatically assigned to the IPv6 prefix of the destination, is distributed by multiprotocol BGP and used at each 6PE egress device for IPv6 forwarding.

In the figure below the 6PE devices are configured as dual stack devices able to route both IPv4 and IPv6 traffic. Each 6PE device is configured to run LDP, TDP, or RSVP (if traffic engineering is configured) to bind the IPv4 labels. The 6PE devices use multiprotocol BGP to exchange reachability information with the other 6PE devices within the MPLS domain, and to distribute IPv6 labels between them. All 6PE and core devices--P devices in Figure 3--within the MPLS domain share a common IPv4 Interior Gateway Protocol (IGP) such as Open Shortest Path First (OSPF) or Integrated Intermediate System-to-Intermediate System (IS-IS).

**Figure 3: 6PE Device Topology**



The interfaces on the 6PE devices connecting to the CE device can be configured to forward IPv6 traffic, IPv4 traffic, or both types of traffic depending on the customer requirements. 6PE devices advertise IPv6 reachability information learned from their 6PE peers over the MPLS cloud. Service providers can delegate an IPv6 prefix from their registered IPv6 prefixes over the 6PE infrastructure; otherwise, there is no impact on the CE device.

The P devices in the core of the network are not aware that they are switching IPv6 packets. Core devices are configured to support MPLS and the same IPv4 IGP as the PE devices to establish internal reachability inside the MPLS cloud. Core devices also use LDP, TDP, or RSVP for binding IPv4 labels. Implementing the Cisco 6PE feature does not have any impact on the MPLS core devices.

Within the MPLS network, IPv6 traffic is forwarded using label switching, making the IPv6 traffic transparent to the core of the MPLS network. No IPv6 over IPv4 tunnels or Layer 2 encapsulation methods are required.

# How to Deploy IPv6 Switching: Provider Edge Device over MPLS

## Deploying IPv6 over a Circuit Transport over MPLS

To deploy IPv6 over a circuit transport over MPLS, the IPv6 devices must be configured for IPv6 connectivity. The MPLS device configuration requires AToM configuration or EoMPLS configuration.

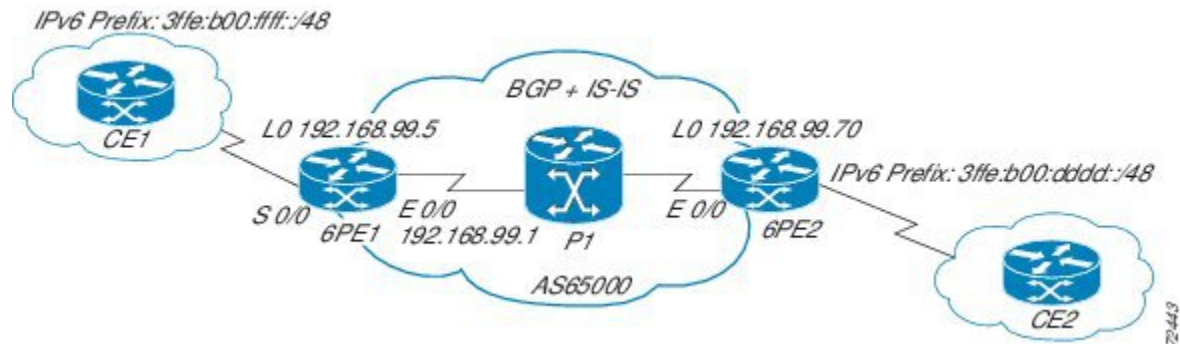
## Deploying IPv6 on the Provider Edge Devices (6PE)

### Specifying the Source Address Interface on a 6PE Device

Two configuration tasks using the network shown in the figure below are required at the 6PE1 device to enable the 6PE feature.

The customer edge device--CE1 in the figure below--is configured to forward its IPv6 traffic to the 6PE1 device. The P1 device in the core of the network is assumed to be running MPLS, a label distribution protocol, an IPv4 IGP, and Cisco Express Forwarding or distributed Cisco Express Forwarding, and does not require any new configuration to enable the 6PE feature.

**Figure 4: 6PE Configuration Example**



### Before You Begin

- The 6PE devices--the 6PE1 and 6PE2 devices in the figure below--must be members of the core IPv4 network. The 6PE device interfaces attached to the core network must be running MPLS, the same label distribution protocol, and the same IPv4 IGP, as in the core network.
- The 6PE devices must also be configured to be dual stack to run both IPv4 and IPv6.

## SUMMARY STEPS

1. **enable**
2. **configure terminal**
3. **ipv6 unicast-routing**
4. **ipv6 cef**
5. **interface** *type number*
6. **ipv6 address** *ipv6-address / prefix-length | prefix-name sub-bits / prefix-length*

## DETAILED STEPS

	Command or Action	Purpose
<b>Step 1</b>	<b>enable</b>  <b>Example:</b> Device> enable	Enables privileged EXEC mode. <ul style="list-style-type: none"> <li>• Enter your password if prompted.</li> </ul>
<b>Step 2</b>	<b>configure terminal</b>  <b>Example:</b> Device# configure terminal	Enters global configuration mode.
<b>Step 3</b>	<b>ipv6 unicast-routing</b>  <b>Example:</b> Device(config)# ipv6 unicast-routing	Enables the forwarding of IPv6 unicast datagrams.
<b>Step 4</b>	<b>ipv6 cef</b>  <b>Example:</b> Device(config)# ipv6 cef	Enables IPv6 Cisco Express Forwarding.
<b>Step 5</b>	<b>interface</b> <i>type number</i>  <b>Example:</b> Device(config)# interface Serial 0/0	Specifies an interface type and number and enters interface configuration mode. <ul style="list-style-type: none"> <li>• In the context of this feature, the interface to be configured is the interface communicating with the CE device.</li> </ul>
<b>Step 6</b>	<b>ipv6 address</b> <i>ipv6-address / prefix-length   prefix-name sub-bits / prefix-length</i>  <b>Example:</b> Device(config-if)# ipv6 address 2001:DB8:FFFF::2/64	Configures an IPv6 address based on an IPv6 general prefix and enable IPv6 processing on an interface.

## Binding and Advertising the 6PE Label to Advertise Prefixes

Perform this task to enable the binding and advertising of labels when advertising IPv6 prefixes to a specified BGP neighbor.

### SUMMARY STEPS

1. **enable**
2. **configure terminal**
3. **router bgp** *as-number*
4. **no bgp default ipv4-unicast**
5. **neighbor** {*ip-address* | *ipv6-address* | *peer-group-name*} **remote-as** *as-number*
6. **neighbor** {*ip-address* | *ipv6-address* | *peer-group-name*} **update-source** *interface-type interface-number*
7. **address-family ipv6 [unicast]**
8. **neighbor** {*ip-address* | *peer-group-name* | *ipv6-address*} **activate**
9. **neighbor** {*ip-address* | *ipv6-address*} **send-label**

### DETAILED STEPS

	Command or Action	Purpose
Step 1	<b>enable</b>  <b>Example:</b> Device> enable	Enables privileged EXEC mode. <ul style="list-style-type: none"> <li>• Enter your password if prompted.</li> </ul>
Step 2	<b>configure terminal</b>  <b>Example:</b> Device# configure terminal	Enters global configuration mode.
Step 3	<b>router bgp</b> <i>as-number</i>  <b>Example:</b> Device(config)# router bgp 65000	Enters router configuration mode for the specified routing process.
Step 4	<b>no bgp default ipv4-unicast</b>  <b>Example:</b> Device(config-router)# no bgp default ipv4-unicast	Disables the IPv4 unicast address family for the BGP routing process specified in the previous step. <p><b>Note</b> Routing information for the IPv4 unicast address family is advertised by default for each BGP routing session configured with the <b>neighbor remote-as</b> command unless you configure the <b>no bgp default ipv4-unicast</b> command before configuring the <b>neighbor remote-as</b> command.</p>

	Command or Action	Purpose
<b>Step 5</b>	<p><b>neighbor</b> {<i>ip-address</i>   <i>ipv6-address</i>   <i>peer-group-name</i>} <b>remote-as</b> <i>as-number</i></p> <p><b>Example:</b></p> <pre>Device(config-router)# neighbor 192.168.99.70 remote-as 65000</pre>	<p>Adds the IP address of the neighbor in the specified autonomous system to the BGP neighbor table of the local device.</p>
<b>Step 6</b>	<p><b>neighbor</b> { <i>ip-address</i>   <i>ipv6-address</i>   <i>peer-group-name</i>} <b>update-source</b> <i>interface-type interface-number</i></p> <p><b>Example:</b></p> <pre>Device(config-router)# neighbor 192.168.99.70 update-source Loopback 0</pre>	<p>Specifies the interface whose IPv4 address is to be used as the source address for the peering.</p> <ul style="list-style-type: none"> <li>In the context of this task, the interface must have an IPv4 address with a 32-bit mask configured. Use of a loopback interface is recommended. This address is used to determine the IPv6 next hop by the peer 6PE.</li> </ul>
<b>Step 7</b>	<p><b>address-family ipv6</b> [<b>unicast</b>]</p> <p><b>Example:</b></p> <pre>Device(config-router)# address-family ipv6</pre>	<p>Specifies the IPv6 address family and enters address family configuration mode.</p> <ul style="list-style-type: none"> <li>The <b>unicast</b> keyword specifies the IPv6 unicast address family. By default, the device is placed in configuration mode for the IPv6 unicast address family if the <b>unicast</b> keyword is not specified with the <b>address-family ipv6</b> command.</li> </ul>
<b>Step 8</b>	<p><b>neighbor</b> {<i>ip-address</i>   <i>peer-group-name</i>   <i>ipv6-address</i>} <b>activate</b></p> <p><b>Example:</b></p> <pre>Device(config-router-af)# neighbor 192.168.99.70 activate</pre>	<p>Enables the neighbor to exchange prefixes for the IPv6 address family with the local device.</p>
<b>Step 9</b>	<p><b>neighbor</b> {<i>ip-address</i>   <i>ipv6-address</i>} <b>send-label</b></p> <p><b>Example:</b></p> <pre>Device(config-router-af)# neighbor 192.168.99.70 send-label</pre>	<p>Advertises the capability of the device to send MPLS labels with BGP routes.</p> <ul style="list-style-type: none"> <li>In IPv6 address family configuration mode this command enables binding and advertisement of labels when advertising IPv6 prefixes in BGP.</li> </ul>

## Configuring IBGP Multipath Load Sharing

Perform this task to configure IBGP multipath load sharing and control the maximum number of parallel IBGP routes that can be installed in a routing table.



**SUMMARY STEPS**

1. **enable**
2. **configure terminal**
3. **router bgp** *as-number*
4. **maximum-paths ibgp** *number-of-paths*

**DETAILED STEPS**

	Command or Action	Purpose
<b>Step 1</b>	<b>enable</b>  <b>Example:</b> Device> enable	Enables privileged EXEC mode. <ul style="list-style-type: none"> <li>• Enter your password if prompted.</li> </ul>
<b>Step 2</b>	<b>configure terminal</b>  <b>Example:</b> Device# configure terminal	Enters global configuration mode.
<b>Step 3</b>	<b>router bgp</b> <i>as-number</i>  <b>Example:</b> Device(config)# router bgp 65000	Enters router configuration mode for the specified routing process.
<b>Step 4</b>	<b>maximum-paths ibgp</b> <i>number-of-paths</i>  <b>Example:</b> Device(config-router)# maximum-paths ibgp 3	Controls the maximum number of parallel IBGP routes that can be installed in a routing table.

## Configuration Examples for IPv6 Switching: Provider Edge Device over MPLS

### Example: Customer Edge Device

This example shows that the serial interface 0/0 of the customer edge device--CE1 in the figure above--is connected to the service provider and is assigned an IPv6 address. IPv6 is enabled and a default static route is installed using the IPv6 address of serial interface 0/0 of the 6PE1 device.

```
ip cef
```

```

!
ipv6 unicast-routing
!
interface Serial 0/0
  description to_6PE1_router
  no ip address
  ipv6 address 2001:DB8:FFFF::2/64
!
ipv6 route ::/0 Serial 0/0 FE80::210:XXXX:FEE1:1001

```

## Example: Provider Edge Device

The 6PE device--Device 6PE1 in the figure above--is configured for both IPv4 and IPv6 traffic. Ethernet interface 0/0 is configured with an IPv4 address and is connected to a device in the core of the network--device P1 in the figure above. Integrated IS-IS and TDP configurations on this device are similar to the P1 device.

Device 6PE1 exchanges IPv6 routing information with another 6PE device--Device 6PE2 in the figure above--using internal BGP (iBGP) established over an IPv4 connection so that all the **neighbor** commands use the IPv4 address of the 6PE2 device. All the BGP peers are within autonomous system 65000, so synchronization with IGP is turned off for IPv4. In IPv6 address family configuration mode, synchronization is disabled by default.

IPv6 and Cisco Express Forwarding for IPv6 are enabled, the 6PE2 neighbor is activated, and label binding and advertisement is enabled for IPv6 prefixes using the **neighbor send-label** command. Connected and static IPV6 routes are redistributed using BGP. If IPv6 packets are generated in the local device, the IPv6 address for MPLS processing will be the address of loopback interface 0.

This example shows that the serial interface 0/0 connects to the customer and the IPv6 prefix delegated to the customer is 2001:DB8:fff::/48, which is determined from the service provider IPv6 prefix. A static route is configured to route IPv6 packets between the 6PE route and the CE device.

```

ip cef
ipv6 cef
ipv6 unicast-routing
!
mpls ipv6 source-interface Loopback0
tag-switching tdp router-id Loopback0
!
interface Loopback0
  ip address 192.168.99.5 255.255.255.255
  ipv6 address 2001:DB8:1000:1::1/64
!
interface Ethernet0/0
  description to_P_router
  ip address 192.168.99.1 255.255.255.252
  ip router isis
  tag-switching ip
!
interface Serial0/0
  description to_CE_router
  no ip address
  ipv6 address 2001:DB8:FFFF::1/64
!
router isis
  passive-interface Loopback0
  net 49.0001.1921.6809.9005.00
!
router bgp 65000
  no bgp default ipv4-unicast
  bgp log-neighbor-changes
  neighbor 192.168.99.70 remote-as 65000
  neighbor 192.168.99.70 description to_6PE2
  neighbor 192.168.99.70 update-source Loopback0
!

```

```

address-family ipv6
neighbor 192.168.99.70 activate
neighbor 192.168.99.70 send-label
network 2001:DB8:FFFF::/48
exit-address-family
!
ipv6 route 2001:DB8:FFFF::/48 Ethernet0/0 2001:DB8:FFFF::2

```

## Example: Core Device

This example shows that the device in the core of the network--Device P in the figure above--is running MPLS, IS-IS, and IPv4 only. The Ethernet interfaces are configured with IPv4 address and are connected to the 6PE devices. IS-IS is the IGP for this network and the P1 and 6PE devices are in the same IS-IS area 49.0001. TDP and tag switching are enabled on both the Ethernet interfaces. Cisco Express Forwarding is enabled in global configuration mode.

```

ip cef
!
tag-switching tdp router-id Loopback0
!
interface Loopback0
 ip address 192.168.99.200 255.255.255.255
!
interface Ethernet0/0
 description to_6PE1
 ip address 192.168.99.2 255.255.255.252
 ip router isis
 tag-switching ip
!
interface Ethernet0/1
 description to_6PE2
 ip address 192.168.99.66 255.255.255.252
 ip router isis
 tag-switching ip
router isis
 passive-interface Loopback0
 net 49.0001.1921.6809.9200.00

```

## Example: Monitoring 6PE

This example shows output information about an IPv6 route using the **show bgp ipv6** command with an IPv6 prefix:

```

Device# show bgp ipv6 2001:DB8:DDDD::/48

BGP routing table entry for 2001:DB8:DDDD::/48, version 15
Paths: (1 available, best #1, table Global-IPv6-Table)
  Not advertised to any peer
  Local
    ::FFFF:192.168.99.70 (metric 20) from 192.168.99.70 (192.168.99.70)
      Origin IGP, localpref 100, valid, internal, best

```

This example shows output information about a BGP peer, including the IPv6 label capability, using the **show bgp ipv6 neighbors** command with an IP address:

```

Device# show bgp ipv6 neighbors 192.168.99.70

BGP neighbor is 192.168.99.70, remote AS 65000, internal link
  BGP version 4, remote router ID 192.168.99.70
  BGP state = Established, up for 00:05:17
  Last read 00:00:09, hold time is 0, keepalive interval is 60 seconds
  Neighbor capabilities:
    Route refresh: advertised and received
    Address family IPv6 Unicast: advertised and received
    ipv6 MPLS Label capability: advertised and received

```

```
Received 54 messages, 0 notifications, 0 in queue
Sent 55 messages, 1 notifications, 0 in queue
Default minimum time between advertisement runs is 5 seconds
```

```
For address family: IPv6 Unicast
BGP table version 21880, neighbor version 21880
Index 1, Offset 0, Mask 0x2
Route refresh request: received 0, sent 0
77 accepted prefixes consume 4928 bytes
Prefix advertised 4303, suppressed 0, withdrawn 1328
Number of NLRIs in the update sent: max 1, min 0
```

This example shows output information linking the MPLS label with prefixes using the **show mpls forwarding-table** command. If the 6PE feature is configured, the labels are aggregated because there are several prefixes for one local label, and the prefix column contains IPv6 instead of a target prefix.

```
Device# show mpls forwarding-table
```

Local Label	Outgoing Label	Prefix or Tunnel Id	Bytes Switched	Label	Outgoing interface	Next Hop
16	Pop Label	1.1.1.1/32	0		Et0/0	10.0.0.1
18	No Label	nh-id(1)	0		Et2/0	10.0.2.2
19	No Label	nh-id(2)	0		Et1/0	10.0.1.2
20	No Label	nh-id(3)	0		Et1/0	10.0.1.2
22	No Label	nh-id(5)	0		Et1/0	10.0.1.2
24	No Label	nh-id(5)	0		Et2/0	10.0.2.2

This example shows output information about the top of the stack label with label switching information using the **show bgp ipv6** command with the **labels** keyword:

```
Device# show bgp ipv6 labels
```

```
Network          Next Hop          In tag/Out tag
2001:DB8:DDDD::/64  ::FFFF:192.168.99.70  notag/20
```

This example shows output information about labels from the Cisco Express Forwarding table using the **show ipv6 cef** command with an IPv6 prefix:

```
Device# show ipv6 cef 2001:DB8:DDDD::/64
```

```
2001:DB8:DDDD::/64
  nexthop ::FFFF:192.168.99.70
  fast tag rewrite with Se0/0, point2point, tags imposed {19 20}
```

This example shows output information from the IPv6 routing table using the **show ipv6 route** command. The output shows the IPv6 MPLS virtual interface as the output interface of IPv6 routes forwarded across the MPLS cloud.

The 6PE2 device has advertised the IPv6 prefix of 2001:DB8:ddd::/48 configured for the CE2 device and the next-hop address is the IPv4-compatible IPv6 address ::ffff:192.168.99.70, where 192.168.99.70 is the IPv4 address of the 6PE2 device.

```
Device# show ipv6 route
```

```
IPv6 Routing Table - 10 entries
Codes: C - Connected, L - Local, S - Static, R - RIP, B - BGP
I1 - ISIS L1, I2 - ISIS L2, IA - ISIS interarea
B 2001:DB8:DDDD::/64 [200/0]
  via ::FFFF:192.168.99.70, IPv6-mpls
B 2001:DB8:DDDD::/64 [200/0]
  via ::FFFF:192.168.99.70, IPv6-mpls
L 2001:DB8:FFFF::1/128 [0/0]
  via ::, Ethernet0/0
C 2001:DB8:FFFF::/64 [0/0]
  via ::, Ethernet0/0
S 2001:DB8:FFFF::/48 [1/0]
  via 2001:DB8:B00:FFFF::2, Ethernet0/0
```

## Additional References for IPv6 Switching: Provider Edge Router over MPLS

### Related Documents

Related Topic	Document Title
IPv6 addressing and connectivity	<i>IPv6 Configuration Guide</i>
Cisco IOS commands	<a href="#">Master Commands List, All Releases</a>
IPv6 commands	<a href="#">IPv6 Command Reference</a>
Cisco IOS IPv6 features	<a href="#">IPv6 Feature Mapping</a>

### Standards and RFCs

Standard/RFC	Title
RFCs for IPv6	<i>IPv6 RFCs</i>

### Technical Assistance

Description	Link
The Cisco Support and Documentation website provides online resources to download documentation, software, and tools. Use these resources to install and configure the software and to troubleshoot and resolve technical issues with Cisco products and technologies. Access to most tools on the Cisco Support and Documentation website requires a Cisco.com user ID and password.	<a href="http://www.cisco.com/cisco/web/support/index.html">http://www.cisco.com/cisco/web/support/index.html</a>

## Feature Information for IPv6 Switching: Provider Edge Device over MPLS

The following table provides release information about the feature or features described in this module. This table lists only the software release that introduced support for a given feature in a given software release train. Unless noted otherwise, subsequent releases of that software release train also support that feature.

Use Cisco Feature Navigator to find information about platform support and Cisco software image support. To access Cisco Feature Navigator, go to [www.cisco.com/go/cfn](http://www.cisco.com/go/cfn). An account on Cisco.com is not required.

**Table 1: Feature Information for IPv6 Switching: Provider Edge Device over MPLS**

Feature Name	Releases	Feature Information
IPv6 Switching: Provider Edge Router over MPLS	12.0(22)S 12.2(14)S 12.2(28)SB 12.2(33)SRA 12.2(15)T	The Cisco implementation of IPv6 provider edge device over MPLS enables IPv6 sites to communicate with each other over an MPLS IPv4 core network using MPLS LSPs.  The following commands were introduced or modified: <b>address-family ipv6, ipv6 address, ipv6 cef, ipv6 unicast-routing, maximum-paths ibgp, neighbor activate, neighbor remote-as, neighbor send-label, neighbor update-source, no bgp default ipv4-unicast, router bgp, show bgp ipv6, show bgp ipv6 labels, show bgp ipv6 neighbors, show ipv6 cef, show ipv6 route, show mpls forwarding-table.</b>