



## Configuring vPCs

---

This chapter describes how to configure virtual port channels (vPCs) on Cisco NX-OS devices.

You can use any of the interfaces of the Nexus 3550-T device for the vPC peer link.

The port channel compatibility parameters must be the same for all the port channel members on the physical switch.

You cannot configure shared interfaces to be part of a vPC.



---

**Note** The port channel compatibility parameters must also be the same for all vPC member ports on both peers and therefore you must use the same type of module in each chassis.

---

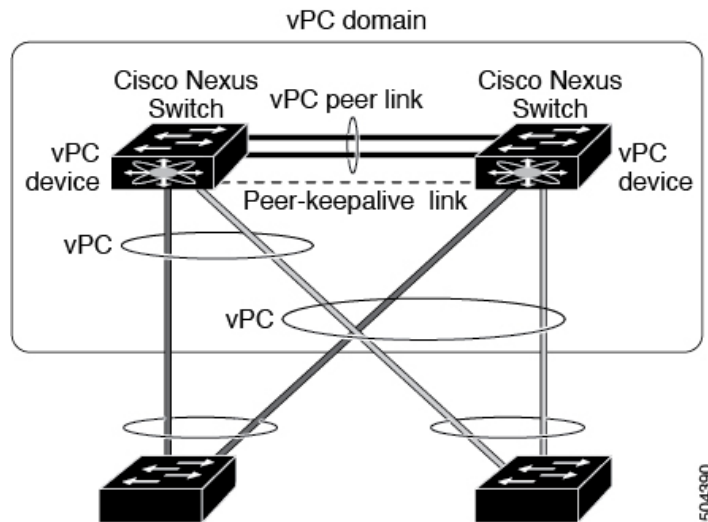
- [Information About vPCs, on page 1](#)
- [Guidelines and Limitations, on page 19](#)
- [Best Practices for Layer 3 and vPC Configuration, on page 21](#)
- [Default Settings, on page 28](#)
- [Configuring vPCs, on page 29](#)
- [Verifying the vPC Configuration, on page 53](#)
- [Monitoring vPCs, on page 54](#)
- [Configuration Examples for vPCs, on page 54](#)

## Information About vPCs

### vPC Overview

A virtual port channel (vPC) allows links that are physically connected to two Cisco Nexus 3550-T devices to appear as a single port channel by a third device (see figure). The third device can be a switch, server, or any other networking device that supports port channels. A vPC can provide Layer 2 multipathing, which allows you to create redundancy and increase the bisectional bandwidth by enabling multiple parallel paths between nodes and allowing load balancing traffic.

Figure 1: vPC Architecture



You can use only Layer 2 port channels in the vPC. You configure the port channels by using one of the following:

- No protocol
- Link Aggregation Control Protocol (LACP)

When you configure the port channels in a vPC—including the vPC Peer-Link channel—without using LACP, each device can have up to four links in a single port channel and all the four members must belong to the same quad. From a given quad, only one port channel is possible.



**Note** You must enable the vPC feature before you can configure or run the vPC functionality.

After you enable the vPC functionality, you create the peer-keepalive link, which sends heartbeat messages between the two vPC peer devices.

You can create a vPC Peer-Link by configuring a port channel on one Cisco Nexus 3550-T Series chassis by using two or more Ethernet ports higher speed than 1-Gigabit Ethernet. To ensure that you have the correct hardware to enable and run a vPC, enter the **show hardware feature-capability** command. If you see an X across from the vPC in your command output, your hardware cannot enable the vPC feature.

We recommend that you configure the vPC Peer-Link Layer 2 port channels as trunks. On another Cisco Nexus 3550-T Series chassis, you configure another port channel again using two or more Ethernet ports with speed higher than 1-Gigabit in the dedicated port mode. Connecting these two port channels creates a vPC Peer-Link in which the two linked Cisco Nexus devices appear as one device to a third device. The third device, or downstream device, can be a switch, server, or any other networking device that uses a regular port channel to connect to the vPC.

You can use any of the interfaces of the Nexus 3550-T device for the vPC Peer-Link.

The vPC domain includes both vPC peer devices, the vPC peer-keepalive link, the vPC Peer-Link, and all of the port channels in the vPC domain connected to the downstream device. You can have only one vPC domain ID on each device.

In this version, you can connect each downstream device to a single vPC domain ID using a single port channel.



---

**Note** Devices attached to a vPC domain using port channels should be connected to both of vPC peers.

---

A vPC (see figure) provides the following benefits:

- Allows a single device to use a port channel across two upstream devices
- Eliminates Spanning Tree Protocol (STP) blocked ports
- Provides a loop-free topology
- Uses all available uplink bandwidth
- Provides fast convergence if either the link or a device fails
- Provides link-level resiliency
- Assures high availability

## Hitless vPC Role Change

A virtual port channel (vPC) allows links that are physically connected to two different Cisco Nexus 3550-T switches to appear as a single port channel. The vPC role change feature enables you switch vPC roles between vPC peers without impacting traffic flow. The vPC role switching is done based on the role priority value of the device under the vPC domain. A vPC peer device with lower role priority is selected as the primary vPC device during the vPC Role switch. You can use the `vpc role preempt` command to switch vPC role between peers.

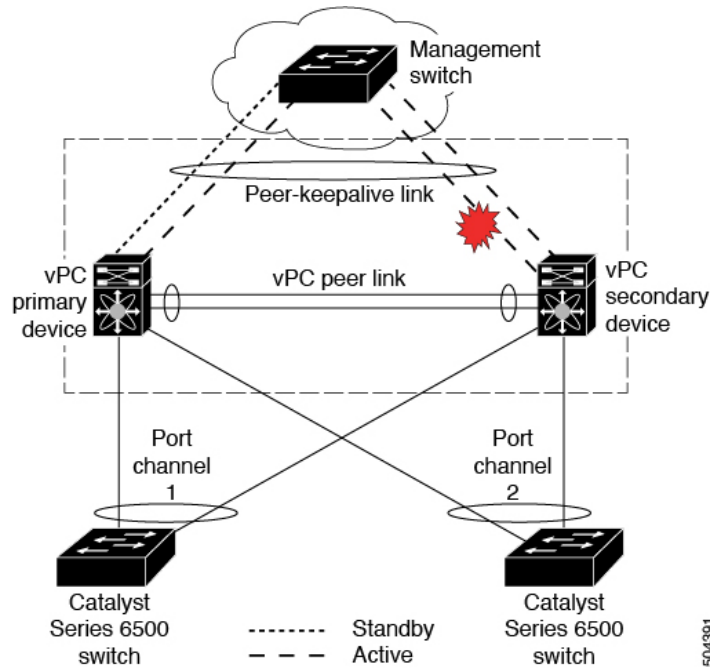
## vPC Terminology

The terminology used in vPCs is as follows:

- vPC—The combined port channel between the vPC peer devices and the downstream device.
- vPC peer device—One of a pair of devices that are connected with the special port channel known as the vPC Peer-Link.
- vPC Peer-Link—The link used to synchronize state between the vPC peer devices. This link must use a 10-Gigabit Ethernet interface.
- vPC member port—An interface that belongs to a vPC.
- vPC domain—This domain includes both vPC peer devices, the vPC peer-keepalive link, and all of the port channels in the vPC connected to the downstream devices. It is also associated to the configuration mode that you must use to assign vPC global parameters.
- vPC peer-keepalive link—The peer-keepalive link monitors the vitality of a vPC peer Cisco Nexus 3550-T Series device. The peer-keepalive link sends configurable, periodic keepalive messages between vPC peer devices.

We recommend that you associate a peer-keepalive link to a default virtual routing and forwarding (VRF) instance that is mapped to a Layer 3 interface in each vPC peer device.

Figure 2: Separate Switch Required to Connect Management Ports for vPC Peer-Keepalive Link



No data or synchronization traffic moves over the vPC peer-keepalive link; the only traffic on this link is a message that indicates that the originating switch is operating and running a vPC.

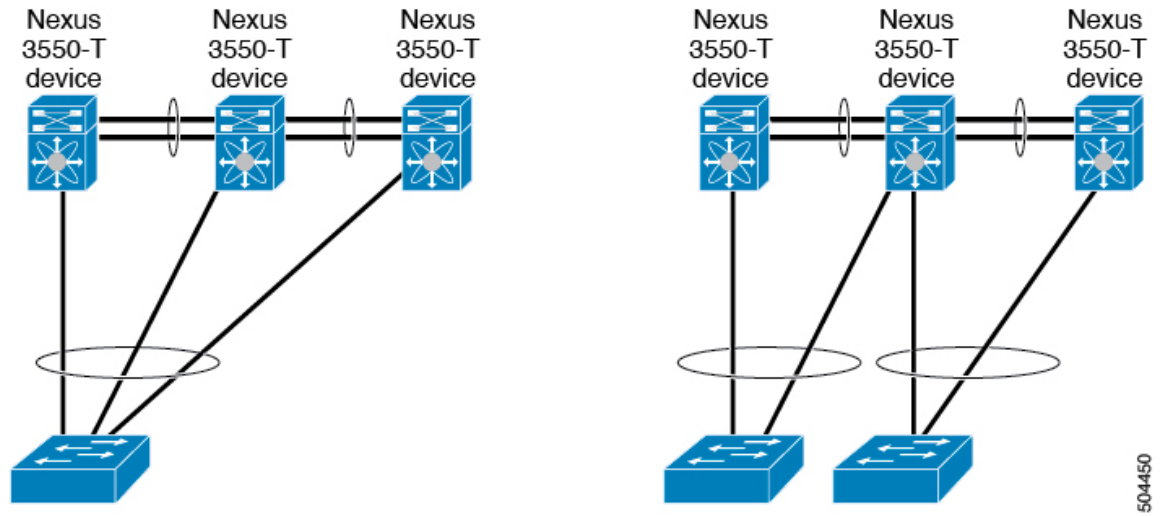
- vPC member port—Interfaces that belong to the vPCs.
- Dual-active— Both vPC peers act as primary. This situation occurs when the peer-keepalive and vPC Peer-Link go down when both the peers are still active. In this case, the secondary vPC assumes that the primary vPC is inactive and acts as the primary vPC.
- Recovery—When the peer-keepalive and the vPC Peer-Link come up, one switch becomes the secondary vPC. On the switch that becomes the secondary vPC, the vPC links go down and come back up.

## vPC Peer-Link Overview

You can have only two devices as vPC peers; each device can serve as a vPC peer to only one other vPC peer. The vPC peer devices can also have non-vPC links to other devices.

See the following figure for invalid vPC peer configurations.

Figure 3: vPC Peer Configurations That Are Not Allowed



To make a valid configuration, you first configure a port channel on each device and then configure the vPC domain. You assign the port channel on each device as a vPC Peer-Link, using the same vPC domain ID. For redundancy, we recommend that you should configure at least two of the dedicated ports into the port channel because if one of the interfaces in the vPC Peer-Link fails, the device automatically falls back to use another interface in the vPC Peer-Link.



**Note** We recommend that you configure the Layer 2 port channels in trunk mode.

Many operational parameters and configuration parameters must be the same in each device connected by a vPC Peer-Link (see the [Compatibility Parameters for vPC Interfaces](#) section). Because each device is completely independent on the management plane, you must ensure that the devices are compatible on the critical parameters. vPC peer devices have separate control planes. After configuring the vPC Peer-Link, you should display the configuration on each vPC peer device to ensure that the configurations are compatible.



**Note** You must ensure that the two devices connected by the vPC Peer-Link have certain identical operational and configuration parameters. For more information on required configuration consistency, see the [Compatibility Parameters for vPC Interfaces](#) section.

When you configure the vPC Peer-Link, the vPC peer devices negotiate that one of the connected devices is the primary device and the other connected device is the secondary device (see the “Configuring vPCs” section). The Cisco NX-OS software uses the lowest MAC address to elect the primary device. The software takes different actions on each device—that is, the primary and secondary—only in certain failover conditions. If the primary device fails, the secondary device becomes the new primary device when the system recovers, and the previously primary device is now the secondary device.

You can also configure which of the vPC devices is the primary device. Changing the priority of the vPC peer devices can cause the interfaces in your network to go up and down. If you want to configure the role priority again to make one vPC device the primary device, configure the role priority on both the primary vPC device with a lower priority value and the secondary vPC device with the higher value. Then, shut down the port

channel that is the vPC Peer-Link on both devices by entering the **shutdown** command, and finally reenables the port channel on both devices by entering the **no shutdown** command.

The software keeps all traffic that forwards across the vPC peer devices as local traffic. A packet that ingresses the port channel uses one of the local links rather than moving across the vPC Peer-Link. Unknown unicast, and broadcast traffic (including STP BPDUs) are flooded across the vPC Peer-Link. The software keeps the multicast forwarding state synchronized on both of the vPC peer devices.

You can configure any of the standard load-balancing schemes on both the vPC Peer-Link devices and the downstream device (see the *Configuring Port Channels* chapter for information about load balancing).

Configuration information flows across the vPC Peer-Links using the Cisco Fabric Services over Ethernet (CFSOE) protocol. (See the [CFSOE, on page 17](#) section for more information about CFSOE.)

All MAC addresses for those VLANs configured on both devices are synchronized between vPC peer devices. The software uses CFSOE for this synchronization. (See the [CFSOE, on page 17](#) section for information about CFSOE.)

If the vPC Peer-Link fails, the software checks the status of the remote vPC peer device using the peer-keepalive link, which is a link between vPC peer devices that ensures that both devices are up. If the vPC peer device is up, the secondary vPC device disables all vPC ports on its device, to prevent loops and disappearing or flooding traffic. The data then forwards down the remaining active links of the port channel.

The software learns of a vPC peer device failure when the keepalive messages are not returned over the peer-keepalive link.

Use a separate link (vPC peer-keepalive link) to send configurable keepalive messages between the vPC peer devices. The keepalive messages on the vPC peer-keepalive link determines whether a failure is on the vPC Peer-Link only or on the vPC peer device. The keepalive messages are used only when all the links in the vPC Peer-Link fail. See the “Peer-Keepalive Link and Messages” section for information about the keepalive message.

## Features That You Must Manually Configure on the Primary and Secondary Devices

You must manually configure the following features to conform to the primary/secondary mapping of each of the vPC peer devices:

- STP root—Configure the primary vPC peer device as the STP primary root device and configure the vPC secondary device to be the STP secondary root device. See the “vPC Peer-Links and STP” section for more information about vPCs and STP.
  - We recommend that you configure the vPC Peer-Link interfaces as STP network ports so that Bridge Assurance is enabled on all vPC Peer-Links.
  - We recommend that you configure Rapid per VLAN Spanning Tree plus (PVST+) so that the primary device is the root for all VLANs and configure Multiple Spanning Tree (MST) so that the primary device is the root for all instances.
- Layer 3 VLAN network interface—Configure Layer 3 connectivity from each vPC peer device by configuring a VLAN network interface for the same VLAN from both devices.
- VRRP active—If you want to use Virtual Router Redundancy Protocol (VRRP) and VLAN interfaces on the vPC peer devices, configure the primary vPC peer device with the VRRP master as highest priority. Configure the backup device to be the VRRP standby and ensure that you have VLAN interfaces on each vPC device that are in the same administrative and operational mode.

While you configure Unidirectional Link Detection (UDLD), note the following recommendations:

- If LACP is used as port-channel aggregation protocol, UDLD is not required in a vPC domain.
- If LACP is not used as the port-channel aggregation protocol (static port-channel), use UDLD in normal mode on vPC member ports.
- If STP is used without Bridge Assurance and if LACP is not used, use UDLD in normal mode on vPC orphan ports.

## Configuring Layer 3 Backup Routes on a vPC Peer-Link

You can use VLAN network interfaces on the vPC peer devices to link to Layer 3 of the network for such applications as VRRP. Ensure that you have a VLAN network interface configured on each peer device and that the interface is connected to the same VLAN on each device. Also, each VLAN interface must be in the same administrative and operational mode. For more information about configuring VLAN network interfaces, see the “Configuring Layer 3 Interfaces” chapter.

If a failover occurs on the vPC Peer-Link, the VLAN interfaces on the vPC peer devices are also affected. If a vPC Peer-Link fails, the system brings down associated VLAN interfaces on the secondary vPC peer device.

You can ensure that specified VLAN interfaces do not go down on the vPC secondary device when the vPC Peer-Link fails.

## Peer-Keepalive Link and Messages

The Cisco NX-OS software uses the peer-keepalive link between the vPC peers to transmit periodic, configurable keepalive messages. You must have Layer 3 connectivity between the peer devices to transmit these messages; the system cannot bring up the vPC Peer-Link unless the peer-keepalive link is already up and running.



---

**Note** We recommend that you associate the vPC peer-keepalive link to a default VRF mapped to a Layer 3 interface in each vPC peer device. If you do not configure a management VRF, the system uses the management VRF and management ports by default. Do not use the vPC Peer-Link itself to send and receive vPC peer-keepalive messages.

---

If one of the vPC peer devices fails, the vPC peer device on the other side of the vPC Peer-Link senses the failure by not receiving any peer-keepalive messages. The default interval time for the vPC peer-keepalive message is 1 second, and you can configure the interval between 400 milliseconds and 10 seconds.

You can configure a hold-timeout value with a range of 3 to 10 seconds; the default hold-timeout value is 3 seconds. This timer starts when the vPC Peer-Link goes down. During this hold-timeout period, the secondary vPC peer device ignores vPC peer-keepalive messages, which ensures that network convergence occurs before a vPC action takes place. The purpose of the hold-timeout period is to prevent false-positive cases.

You can also configure a timeout value with a range of 3 to 20 seconds; the default timeout value is 5 seconds. This timer starts at the end of the hold-timeout interval. During the timeout period, the secondary vPC peer device checks for vPC peer-keepalive hello messages from the primary vPC peer device. If the secondary vPC peer device receives a single hello message, that device disables all vPC interfaces on the secondary vPC peer device.

The difference between the hold-timeout and the timeout parameters is as follows:

- During the hold-timeout, the vPC secondary device does not take any action based on any keepalive messages received, which prevents the system taking action when the keepalive might be received just temporarily, such as if a supervisor fails a few seconds after the vPC Peer-Link goes down.
- During the timeout, the vPC secondary device takes action to become the vPC primary device if no keepalive message is received by the end of the configured interval.

See the “Configuring vPC Keepalive Link and Messages” section for information about configuring the timer for the keepalive messages.




---

**Note** Ensure that both the source and destination IP addresses used for the peer-keepalive messages are unique in your network and these IP addresses are reachable from the VRF associated with the vPC peer-keepalive link. Peer-keepalive IP addresses must be global unicast addresses. Link-local addresses are not supported.

---

Use the command-line interface (CLI) to configure the interfaces you are using the vPC peer-keepalive messages as trusted ports. Leave the precedence at the default (6) or configure it higher.

## vPC Peer-Gateway

You can configure vPC peer devices to act as the gateway even for packets that are destined to the vPC peer device’s MAC address.

Use the **peer-gateway** command to configure this feature.




---

**Note** The **peer-gateway exclude-vlan** command that is used when configuring a VLAN interface for Layer 3 backup routing on vPC peer devices is not supported.

---

Some network-attached storage (NAS) devices or load balancers might have features that help to optimize the performances of particular applications. These features enable the device to avoid a routing-table lookup when responding to a request that originated from a host that is not locally attached to the same subnet. Such devices might reply to traffic using the MAC address of the sender Cisco Nexus 3550-T device rather than the common VRRP gateway. This behavior is noncompliant with some basic Ethernet RFC standards. Packets that reach a vPC device for the nonlocal router MAC address are sent across the vPC Peer-Link and could be dropped by the built in vPC loop avoidance mechanism if the final destination is behind another vPC.

The vPC peer-gateway capability allows a vPC switch to act as the active gateway for packets that are addressed to the router MAC address of the vPC peer. This feature enables local forwarding of packets without the need to cross the vPC Peer-Link. In this scenario, the feature optimizes use of the vPC Peer-Link and avoids potential traffic loss.

Configuring the peer-gateway feature must be done on both primary and secondary vPC peers and is nondisruptive to the operations of the device or to the vPC traffic. The vPC peer-gateway feature can be configured globally under the vPC domain submode.

When you enable this feature, Cisco NX-OS automatically disables IP redirects on all interface VLANs mapped over a vPC VLAN to avoid generation of IP redirect messages for packets switched through the peer gateway router.



## vPC Domain

You can use the vPC domain ID to identify the vPC Peer-Links and the ports that are connected to the vPC downstream devices.

The vPC domain is also a configuration mode that you use to configure the keepalive messages and other vPC Peer-Link parameters rather than accept the default values. See the “Configuring vPCs” section for more information about configuring these parameters.

To create a vPC domain, you must first create a vPC domain ID on each vPC peer device using a number from 1 to 1000. You can have only one vPC domain per vPC peer.

You must explicitly configure the port channel that you want to act as the vPC Peer-Link on each device. You associate the port channel that you made a vPC Peer-Link on each device with the same vPC domain ID to form a single vPC domain. Within this domain, the system provides a loop-free topology and Layer 2 multipathing.

You can only configure these port channels and vPC Peer-Links statically. You can configure the port channels and vPC Peer-Links either using LACP or no protocol. We recommend that you use LACP with the interfaces in active mode to configure port channels in each vPC, which ensures an optimized, graceful recovery in a port-channel failover scenario and provides configuration checks against configuration mismatches among the port channels themselves.

The vPC peer devices use the vPC domain ID that you configure to automatically assign a unique vPC system MAC address. Each vPC domain has a unique MAC address that is used as a unique identifier for the specific vPC-related operations, although the devices use the vPC system MAC addresses only for link-scope operations, such as LACP. We recommend that you create each vPC domain within the contiguous Layer 2 network with a unique domain ID. You can also configure a specific MAC address for the vPC domain, rather than having the Cisco NX-OS software assign the address.

See the “vPC and Orphan Ports” section for more information about displaying the vPC MAC table.

After you create a vPC domain, the Cisco NX-OS software creates a system priority for the vPC domain. You can also configure a specific system priority for the vPC domain.



---

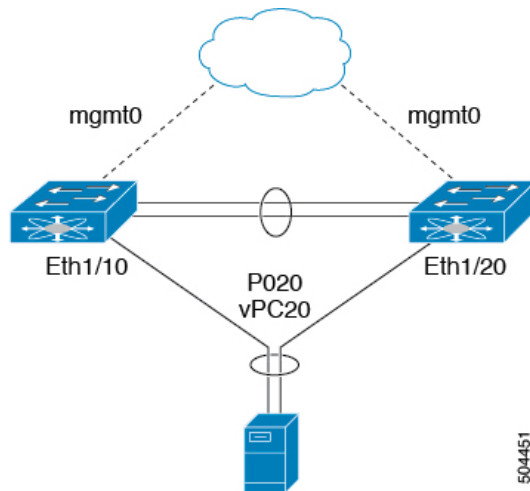
**Note** When manually configuring the system priority, you must ensure that you assign the same priority value on both vPC peer devices. If the vPC peer devices have different system priority values, vPC does not come up.

---

## vPC Topology

The following figure shows a basic configuration in which the Cisco Nexus 3550-T device ports are directly connected to another switch or host and are configured as part of a port channel that becomes part of a vPC.

Figure 4: Switch vPC Topology



In the figure, vPC 20 is configured on port channel 20, which has Eth1/10 on the first device and Eth1/20 on the second as member ports.

## Compatibility Parameters for vPC Interfaces

Many configuration and operational parameters must be identical on all interfaces in the vPC. We recommend that you configure the Layer 2 port channels that you use for the vPC Peer-Link in trunk mode.

After you enable the vPC feature and configure the vPC Peer-Link on both vPC peer devices, Cisco Fabric Services (CFS) messages provide a copy of the configuration on the local vPC peer device configuration to the remote vPC peer device. The system then determines whether any of the crucial configuration parameters differ on the two devices. (See the “vPC and Orphan Ports” section for more information about CFS.)



**Note** Enter the **show vpc consistency-parameters** command to display the configured values on all interfaces in the vPC. The displayed configurations are only those configurations that would limit the vPC Peer-Link and vPC from coming up.



**Note** The port channel compatibility parameters must be the same for all the port channel members on the physical switch. You cannot configure shared interfaces to be part of a vPC.

The compatibility check process for vPCs differs from the compatibility check for regular port channels.

See the “Configuring Port Channels” chapter for information about regular port channels.

## Configuration Parameters That Must Be Identical

The configuration parameters in this section must be configured identically on both devices of the vPC Peer-Link; otherwise, the vPC moves fully or partially into a suspended mode.



---

**Note** You must ensure that all interfaces in the vPC have the identical operational and configuration parameters listed in this section.

---



---

**Note** Enter the **show vpc consistency-parameters** command to display the configured values on all interfaces in the vPC. The displayed configurations are only those configurations that would limit the vPC Peer-Link and vPC from coming up.

---

The devices automatically check for compatibility for some of these parameters on the vPC interfaces. The per-interface parameters must be consistent per interface, and the global parameters must be consistent globally:

- Port-channel mode: on, off, or active (port-channel mode can, however, be active/passive on each side of the vPC peer)
- Trunk mode per channel:
  - Native VLAN
  - VLANs allowed on trunk
  - Tagging of native VLAN traffic
- Spanning Tree Protocol (STP) mode
- STP region configuration for Multiple Spanning Tree
- Enable/disable state per VLAN
- STP global settings:
  - Bridge Assurance setting
  - Port type setting
  - Loop Guard settings
- STP interface settings:
  - Port type setting
  - Loop Guard
  - Root Guard

If any of these parameters are not enabled or defined on either device, the vPC consistency check ignores those parameters.



---

**Note** To ensure that none of the vPC interfaces are in the suspend mode, enter the **show vpc brief** and **show vpc consistency-parameters** commands and check the syslog messages.

---

## Configuration Parameters That Should Be Identical

When any of the following parameters are not configured identically on both vPC peer devices, a misconfiguration might cause undesirable behavior in the traffic flow:

- MAC aging timers
- Static MAC entries
- VLAN interface—Each device on the end of the vPC Peer-Link must have a VLAN interface configured for the same VLAN on both ends and they must be in the same administrative and operational mode. Those VLANs configured on only one device of the vPC Peer-Link do not pass traffic using the vPC or vPC Peer-Link. You must create all VLANs on both the primary and secondary vPC devices, or the VLAN will be suspended.
- All ACL configurations and parameters
- STP interface settings:
  - BPDU Filter
  - BPDU Guard
  - Cost
  - Link type
  - Priority
  - VLANs (Rapid PVST+)
- Dynamic Host Configuration Protocol (DHCP) snooping
- Internet Group Management Protocol (IGMP) snooping
- All routing protocol configurations

To ensure that all the configuration parameters are compatible, we recommend that you display the configurations for each vPC peer device once you configure the vPC.

## Consequences of Parameter Mismatches

You can configure the graceful consistency check feature, which suspends only the links on the secondary peer device when a mismatch is introduced in a working vPC. This feature is configurable only in the CLI and is enabled by default.

The graceful consistency-check command is configured by default.

As part of the consistency check of all parameters from the list of parameters that must be identical, the system checks the consistency of all VLANs.

The vPC remains operational, and only the inconsistent VLANs are brought down. This per-VLAN consistency check feature cannot be disabled and does not apply to Multiple Spanning Tree (MST) VLANs.

## vPC Number

Once you have created the vPC domain ID and the vPC Peer-Link, you create port channels to attach the downstream device to each vPC peer device. That is, you create one port channel to the downstream device

from the primary vPC peer device and you create another port channel to the downstream device from the secondary peer device.



---

**Note** We recommend that you configure the ports on the downstream devices that connect to a host or a network device that is not functioning as a switch or a bridge as STP edge ports.

---

On each vPC peer device, you assign a vPC number to the port channel that connects to the downstream device. You will experience minimal traffic disruption when you are creating vPCs. To simplify the configuration, you can assign the vPC ID number to every port channel to be the same as the port channel itself (that is, vPC ID 10 for port channel 10).



---

**Note** The vPC number that you assign to the port channel that connects to the downstream device from the vPC peer device must be identical on both vPC peer devices.

---

## Moving Other Port Channels into a vPC



---

**Note** You must attach a downstream device using a port channel to both vPC peer devices.

---

To connect to the downstream device, you create a port channel to the downstream device from the primary vPC peer device and you create another port channel to the downstream device from the secondary peer device. On each vPC peer device, you assign a vPC number to the port channel that connects to the downstream device. You will experience minimal traffic disruption when you are creating vPCs.

## vPC Interactions with Other Features

### vPC and LACP

LACP uses the system MAC address of the vPC domain to form the LACP Aggregation Group (LAG) ID for the vPC. (See the “Configuring Port Channels” chapter for information about LAG-ID and LACP.)

You can use LACP on all the vPC port channels, including those channels from the downstream device. We recommend that you configure LACP with active mode on the interfaces on each port channel on the vPC peer devices. This configuration allows you to more easily detect compatibility between devices, unidirectional links, and multihop connection, and provides dynamic reaction to run-time changes and link failures.

We recommend that you manually configure the system priority on the vPC Peer-Link devices to ensure that the vPC Peer-Link devices have a higher LACP priority than the downstream connected devices. A lower numerical value system priority means a higher LACP priority.



---

**Note** When manually configuring the system priority, you must ensure that you assign the same priority value on both vPC peer devices. If the vPC peer devices have different system priority values, vPC does not come up.

---

## vPC Peer-Links and STP

Although vPCs provide a loop-free Layer 2 topology, STP is still required to provide a fail-safe mechanism to protect against any incorrect or defective cabling or possible misconfiguration. When you first bring up a vPC, STP reconverges. STP treats the vPC Peer-Link as a special link and always includes the vPC Peer-Link in the STP active topology.

We recommend that you set all the vPC Peer-Link interfaces to the STP network port type so that Bridge Assurance is automatically enabled on all vPC Peer-Links. We also recommend that you do not enable any of the STP enhancement features on vPC Peer-Links. If the STP enhancements are already configured, they do not cause any problems for the vPC Peer-Links..

When you are running both MST and Rapid PVST+, ensure that the PVST simulation feature is correctly configured.



---

**Note** You must configure a list of parameters to be identical on the vPC peer devices on both sides of the vPC Peer-Link. See the “Compatibility Parameters for vPC Interfaces” section for information about these required matched settings.

---

STP is distributed; that is, the protocol continues running on both vPC peer devices. However, the configuration on the vPC peer device elected as the primary device controls the STP process for the vPC interfaces on the secondary vPC peer device.

The primary vPC device synchronizes the STP state on the vPC secondary peer device using Cisco Fabric Services over Ethernet (CFS over E). See the “vPC and Orphan Ports” section for information about CFS over E.

The STP process for vPC also relies on the periodic keepalive messages to determine when one of the connected devices on the vPC Peer-Link fails. See the “Peer-Keepalive Link and Messages” section for information about these messages.

The vPC manager performs a proposal/handshake agreement between the vPC peer devices that set the primary and secondary devices and coordinates the two devices for STP. The primary vPC peer device then controls the STP protocol on both the primary and secondary devices. We recommend that you configure the primary vPC peer device as the STP primary root device and configure the secondary vPC device to be the STP secondary root device.

If the primary vPC peer device fails over to the secondary vPC peer device, there is no change in the STP topology.

The BPDUs use the MAC address set for the vPC for the STP bridge ID in the designated bridge ID field. The vPC primary device sends these BPDUs on the vPC interfaces.

You must configure both ends of vPC Peer-Link with the identical STP configuration for the following parameters:

- STP global settings:
  - STP mode
  - STP region configuration for MST
  - Enable/disable state per VLAN
  - Bridge Assurance setting
  - Port type setting

- Loop Guard settings
- STP interface settings:
  - Port type setting
  - Loop Guard
  - Root Guard



---

**Note** If any of these parameters are misconfigured, the Cisco NX-OS software suspends all interfaces in the vPC. Check the syslog and enter the **show vpc brief** command to see if the vPC interfaces are suspended.

---

Ensure that the following STP interface configurations are identical on both sides of the vPC Peer-Links or you may see unpredictable behavior in the traffic flow:

- BPDU Filter
- BPDU Guard
- Cost
- Link type
- Priority
- VLANs (PVRST+)



---

**Note** Display the configuration on both sides of the vPC Peer-Link to ensure that the settings are identical.

---

You can use the **show spanning-tree** command to display information about the vPC when that feature is enabled.

We recommend that you configure the ports on the downstream devices as STP edge ports. You should configure all host ports connected to a switch as STP edge ports.

## vPC Peer Switch

The vPC peer switch feature was added to Cisco NX-OS to address performance concerns around STP convergence. This feature allows a pair of Cisco Nexus 3550-T devices to appear as a single STP root in the Layer 2 topology. This feature eliminates the need to pin the STP root to the vPC primary switch and improves vPC convergence if the vPC primary switch fails.

To avoid loops, the vPC Peer-Link is excluded from the STP computation. In vPC peer switch mode, STP BPDUs are sent from both vPC peer devices to avoid issues related to STP BPDU timeout on the downstream switches, which can cause traffic disruption.

This feature can be used with the pure peer switch topology in which the devices all belong to the vPC.



---

**Note** Peer-switch feature is supported on networks that use vPC and STP-based redundancy is not supported. If the vPC Peer-Link fail in a hybrid peer-switch configuration, you can lose traffic. In this scenario, the vPC peers use the same STP root ID as well as the same bridge ID. The access switch traffic is split in two with half going to the first vPC peer and the other half to the second vPC peer. With vPC Peer-Link failure, there is no impact to the north/south traffic but the east/west traffic is lost.

---

## vPC and ARP or ND

A feature was added to Cisco NX-OS to address table synchronization across vPC peers using the reliable transport mechanism of the Cisco Fabric Service over Ethernet (CFS over E) protocol. You must enable the **ip arp synchronize** command to support faster convergence of address tables between the vPC peers. This convergence overcomes the delay that occurs in ARP table restoration for IPv4 or ND table restoration when the vPC Peer-Link port channel flaps or when a vPC peer comes back online.

## vPC Multicast—IGMP, and IGMP Snooping

The software keeps the multicast forwarding state synchronized on both of the vPC peer devices. The IGMP snooping process on a vPC peer device shares the learned group information with the other vPC peer device through the vPC Peer-Link; the multicast states are always synchronized on both vPC peer devices.

Each vPC peer is a Layer 2 device. Multicast traffic flows from only one of the vPC peer devices. You might see duplicate packets in the following scenarios:

- Orphan hosts
- When the source and receivers are in the Layer 2 vPC cloud in different VLANs with multicast routing enabled and a vPC member link goes down.

You might see negligible traffic loss:

- When you reload the vPC peer device that is forwarding the traffic.

Overall multicast convergence times are scale and vPC role change duration dependent.

The following outlines vPC IGMP/IGMP snooping:

- vPC IGMP/IGMP snooping—The IGMP process in vPC mode synchronizes the designated router (DR) information on both vPC peer devices. Dual DRs are available for IGMP when you are in vPC mode. Dual DRs are not available when you are not in vPC mode, because both vPC peer devices maintain the multicast group information between the peers.

You should enable or disable IGMP snooping identically on both vPC peer devices, and all the feature configurations should be identical. IGMP snooping is on by default.



---

**Note** Cisco Nexus 3550-T does not support PIM on a vPC VLAN.

---



## vPC Peer-Links and Routing

The First Hop Redundancy Protocols (FHRPs) interoperate with vPCs. The Virtual Router Redundancy Protocol (VRRP) interoperates with vPCs. We recommend that you dual-attach all Layer 3 devices to both vPC peer devices.

The primary FHRP device responds to ARP requests, even though the secondary vPC device forwards the data traffic.

To simplify initial configuration verification and vPC troubleshooting, you can configure the primary vPC peer device with the FHRP active router highest priority.

When the primary vPC peer device fails over to the secondary vPC peer device, the FHRP traffic continues to flow seamlessly.

We recommend that you configure routing adjacency between the two vPC peer devices to act as a backup routing path. If one vPC peer device loses Layer 3 uplinks, the vPC can redirect the routed traffic to the other vPC peer device and leverage its active Layer 3 uplinks.

You can configure the inter-switch link for a backup routing path in the following ways:

- Create a Layer 3 link between the two vPC peer devices.
- Use the non-VPC VLAN trunk with a dedicated VLAN interface.
- Use a vPC Peer-Link with a dedicated VLAN interface.

We do not recommend that you configure the burnt-in MAC address option (`use-bia`) for VRRP or manually configure virtual MAC addresses for any FHRP protocol in a vPC environment because these configurations can adversely affect vPC load balancing. The VRRP `use-bia` option is not supported on vPCs. When you are configuring custom MAC addresses, you must configure the same MAC address on both vPC peer devices.

You can use the **`delay restore`** command to configure a restore timer that delays the vPC coming back up until after the peer adjacency forms and the VLAN interfaces are back up. This feature enables you to avoid packet drops when the routing tables might not be converged before the vPC is once again passing traffic. Use the **`delay restore`** command to configure this feature.

To delay the VLAN interfaces on the restored vPC peer device from coming up, use the **`interfaces-vlan`** option of the **`delay restore`** command.

## CFSOE

The Cisco Fabric Services over Ethernet (CFSOE) is a reliable state transport mechanism that is used to synchronize the actions of the vPC peer devices. CFSOE carries messages and packets for many features linked with vPC, such as STP and IGMP. Information is carried in CFS/CFSOE protocol data units (PDUs).

When you enable the vPC feature, the device automatically enables CFSOE, and you do not have to configure anything. CFSOE distributions for vPCs do not need the capabilities to distribute over IP or the CFS regions. You do not need to configure anything for the CFSOE feature to work correctly on vPCs.

The CFSOE transport is local to each VDC.

You can use the **`show mac address-table`** command to display the MAC addresses that CFSOE synchronizes for the vPC Peer-Link.



---

**Note** Do not enter the **no cfs eth distribute** or the **no cfs distribute** command. You must enable CFSoE for vPC functionality. If you do enter either of these commands with vPC enabled, the system displays an error message.

---

When you enter the **show cfs application** command, the output displays “Physical-eth,” which shows the applications that are using CFSoE.



---

**Note** The software does not support CFS regions.

---

## vPC and Orphan Ports

When a device that is not vPC-capable connects to each peer, the connected ports are known as orphan ports because they are not members of a vPC. The device’s link to one peer will be active (forwarding) and the other link will be standby (blocking) due to STP.

If a vPC Peer-Link failure or restoration occurs, an orphan port’s connectivity might be bound to the vPC failure or restoration process. For example, if a device’s active orphan port connects to the secondary vPC peer, the device loses any connections through the primary peer if a vPC Peer-Link failure occurs and the vPC ports are suspended by the secondary peer. If the secondary peer were to also suspend the active orphan port, the device’s standby port becomes active, provides a connection to the primary peer, and restores connectivity. You can configure in the CLI that specific orphan ports are suspended by the secondary peer when it suspends its vPC ports and are restored when the vPC is restored.

## vPC Recovery After an Outage

In a data center outage, both the vPC peer in vPC domain get reloaded. Occasionally only one peer can be restored. With no functioning peer-keepalive or vPC Peer-Link, the vPC cannot function normally, a method might be available to allow vPC services to use only the local ports of the functional peer.

## Autorecovery

You can configure the Cisco Nexus 3550-T device to restore vPC services when its peer fails to come online by using the **auto-recovery** command. You must save this setting in the startup configuration. On reload, if the vPC Peer-Link is down and three consecutive peer-keepalive messages are lost, the secondary device assumes the primary STP role and the primary LACP role. The software reinitializes the vPCs, bringing up its local ports. Because there are no peers, the consistency check is bypassed for the local vPC ports. The device elects itself to be the STP primary regardless of its role priority and also acts as the primary device for LACP port roles.

## vPC Peer Roles After a Recovery

When the other peer device completes its reload and adjacency forms, the following process occurs:

1. The first vPC peer maintains its current role to avoid any transition reset to other protocols. The peer accepts the other available role.
2. When an adjacency forms, consistency checks are performed and appropriate actions are taken.

# Guidelines and Limitations

vPCs have the following configuration guidelines and limitations:

- Make sure that both vPC peers are in the same mode (regular mode or enhanced mode) before performing a non-disruptive upgrade.



---

**Note** vPC peering between an enhanced ISSU mode (boot mode lxc) configured switch and a non-enhanced ISSU mode switch is not supported.

---

- **show** commands with the **internal** keyword are not supported.
- Cisco Nexus 3550-T switches do not support NAT on vPC topology.
- vPC peers must run the same Cisco NX-OS release. During a software upgrade, make sure to upgrade the primary vPC peer first.
- All ports for a given vPC must be in the same VDC.
- You must enable vPCs before you can configure them.
- You must configure the peer-keepalive link and messages before the system can form the vPC Peer-Link.
- Only Layer 2 port channels can be in vPCs.
- Layer 3 multicast over vPC is not supported.
- You must configure both vPC peer devices; the configuration is not sent from one device to the other.
- To configure multilayer (back-to-back) vPCs, you must assign unique vPC domain ID for each respective vPC.
- Check that the necessary configuration parameters are compatible on both sides of the vPC Peer-Link. See the “Compatibility Parameters for vPC Interfaces” section for information about compatibility recommendations.
- You might experience minimal traffic disruption while configuring vPCs.
- The software does not support BIDR PIM on vPCs.
- The software does not support DHCP snooping, DAI, or IPSG in a vPC environment.
- The software does not support CFS regions.
- Port security is not supported.
- When **peer-switch** features are configured under **vpc domain** configuration mode on two Cisco Nexus 3550-T switches, the spanning-tree root changes even for VLANs that are not enabled on the vPC Peer-Link. Both the switches act as one system with one MAC address as the bridge address. This is true even for non-vPC mst-instance or VLANs. Therefore, a non vPC Peer-Link between the two switches gets blocked as a backup link. This is an expected behavior.
- We recommend that you configure all the port channels in the vPC using LACP with the interfaces in active mode.

- Back-to-back, multilayer vPC topologies require unique domain IDs on each respective vPC.
- Having the same Virtual Router Redundancy Protocol (VRRP) group on all nodes on a double sided vPC is supported.
- 
- When using vPCs, we recommend that you use default timers for VRRP. There is no advantage in convergence times when using aggressive timers in vPC configurations.
- If you configure open shortest path first (OSPF) in a vPC environment, use the following timer commands in router configuration mode on the core switch to ensure fast OSPF convergence when a vPC Peer-Link is shut down:

```
switch (config-router)# timers throttle spf 1 50 50
switch (config-router)# timers lsa-arrival 10
```

- The STP port cost is fixed to 200 in a vPC environment.
- To accommodate increased traffic when the vPC goes down and traffic needs to cross the vPC Peer-Link, it is a best practice to use multiple high bandwidth interfaces across linecards for the vPC Peer-Link.
- The **vpc orphan-ports suspend** command also applies to ports in non-vPC VLANs and Layer 3 ports. However, it is recommended to be used with ports in VPC VLANs.
- vPC STP hitless role change feature is supported.
- vPC role change can be performed from either of the peer devices.
- When forming a vPC domain between two Cisco Nexus 3550-T Series switches, both switches must be the exact same model to form a supported vPC domain.
- If the original secondary device has higher role priority value than the original primary device, role swapping cannot be performed. Change the role priority on either vPC device so that the value of the original secondary device is lower than the original primary one. To view the existing role of a device, use the show vpc role command on local and peer switch.
- Always check the existing configured role priority before configuring vPC hitless role change feature
- In a vPC domain, enable the peer-switch command, where both vPC peers have same STP priorities, and ensure it is operational before issuing a role change. If you do not enable the peer-switch command, it can lead to convergence issues. Use **show spanning-tree summary | grep peer** command to verify whether the peer vPC switch is operational or not.
- All the devices that are attached to a vPC domain must be dual homed.
- Layer 3 over vPC is supported on Cisco Nexus 3550-T Series switches for Layer 3 unicast communication only. Layer 3 over vPC is not supported for Layer 3 multicast traffic. For more information see the *Best Practices for Layer 3 and vPC Configuration* section
- The default behavior with Layer 3 peer-router and TTL=1 packet destined to IP of vPC peer is to punt packet to CPU and then forward the software to vPC peer.

# Best Practices for Layer 3 and vPC Configuration

This section describes best practices for using and configuring Layer 3 with vPC.

## Layer 3 and vPC Configuration Overview

When a Layer 3 device is connected to a vPC domain through a vPC, it has the following views:

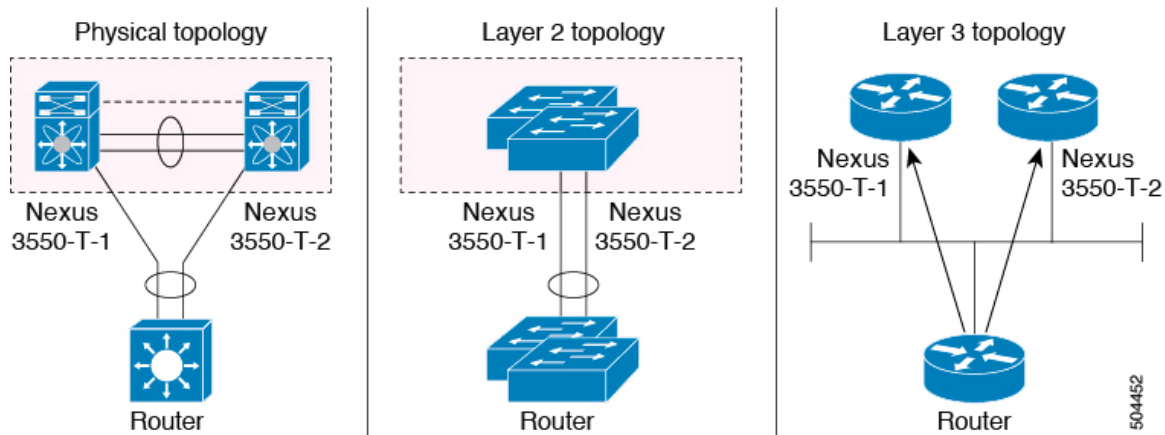
- At Layer 2, the Layer 3 device sees a unique Layer 2 switch presented by the vPC peer devices.
- At Layer 3, the Layer 3 device sees two distinct Layer 3 devices (one for each vPC peer device).

vPC is a Layer 2 virtualization technology, so at Layer 2, both vPC peer devices present themselves as a unique logical device to the rest of the network.

There is no virtualization technology at Layer 3, so each vPC peer device is seen as a distinct Layer 3 device by the rest of the network.

The following figure illustrates the two different Layer 2 and Layer 3 views with vPC.

**Figure 5: Different Views for vPC Peer Devices**

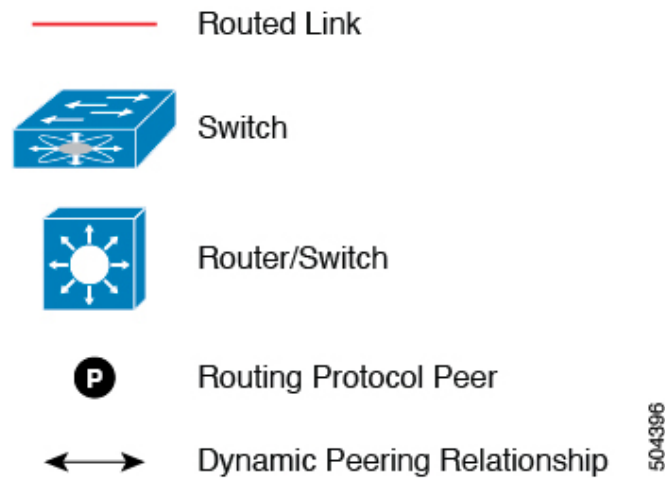


## Supported Topologies for Layer 3 and vPC

This section contains examples of Layer 3 and vPC network topologies.

There are two approaches for Layer 3 and vPC interactions. The first one is by using dedicated Layer 3 links to connect the Layer 3 devices to each vPC peer device. The second one is by allowing the Layer 3 devices to peer with the SVIs defined on each of the vPC peer device, on a dedicated VLAN that is carried on the vPC connection. The following sections describe all the supported topologies leveraging the elements that are described in the legends in the following figure.

Figure 6: Legend



504396

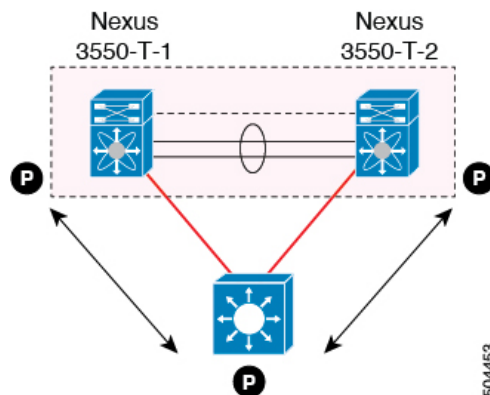
## Peering with an External Router Using Layer 3 Links

This example shows a topology that uses Layer 3 links to connect a Layer 3 device to the Cisco Nexus 3550-T switches that are part of the a vPC domain



**Note** Interconnecting the two entities together in this way allows to support Layer 3 unicast and multicast communication.

Figure 7: Peering with an External Router Using Layer 3 Links



504453

Layer 3 devices can initiate Layer 3 routing protocol adjacencies with both vPC peer devices.

One or multiple Layer 3 links can be used to connect a Layer 3 device to each vPC peer device.

Follow these guidelines when connecting a Layer 3 device to the vPC domain using Layer 3 links:

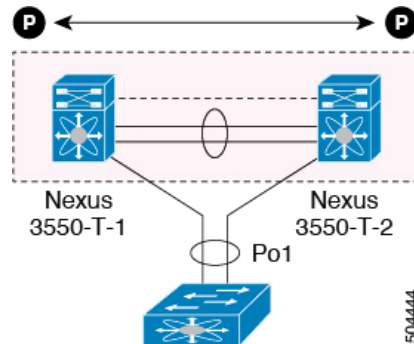
- Use separate Layer 3 links to connect Layer 3 devices to the vPC domain. Each link represents a point-to-point Layer 3 connection and should get assigned an IP address taken from a small IP subnet (/30 or /31).

## Peering Between vPC Devices for a Backup Routing Path

This example shows peering between the two vPC peer devices with a Layer 3 backup routed path. If the Layer 3 uplinks on vPC peer device 1 or vPC peer device 2 fail, the path between the two peer devices is used to redirect traffic to the switch that has the Layer 3 uplinks in the up state.

The Layer 3 backup routing path can be implemented using a dedicated interface VLAN (such as SVI) over the vPC Peer-Link or by using dedicated Layer 2 or Layer 3 links across the two vPC peer devices.

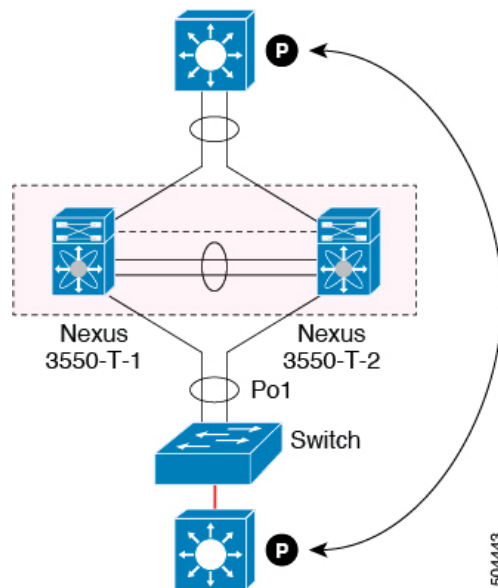
**Figure 8: Peering Between vPC Devices for a Backup Routing Path**



## Direct Layer 3 Peering Between Routers

In this scenario, the Nexus 3550-T devices part of the vPC domain are simply used as a Layer 2 transit path to allow the routers connected to them to establish Layer 3 peering and communication.

**Figure 9: Peering Between Routers**



The Layer 3 devices can peer with each other in following two methods. Peering also depends on the specific device deployed for this role.

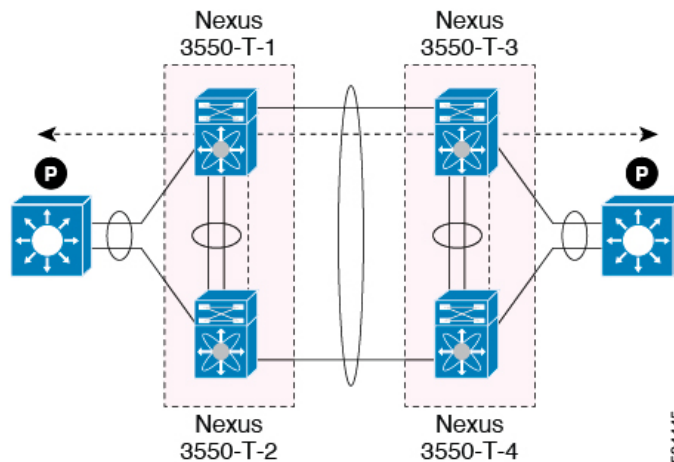
- Defining a VLAN network interface (SVI) for a VLAN that is extended between the Layer 3 devices through the intermediate Cisco Nexus 3550-T vPC peer switches.

- Defining a Layer 3 port-channel interface on each Layer 3 device and establishing a point-to-point Layer 3 peering.

## Peering Between Two Routers with vPC Devices as Transit Switches

This example is similar to the peering between routers topology. In this case also, the Cisco Nexus 3550-T devices that are part of the same vPC domain are only used as Layer 2 transit paths. The difference here is that there are two pairs of Cisco Nexus 3550-T switches. Each switch that is connected with a Layer 3 device using a vPC connection, also establishes a back-to-back vPC connection between them. The difference is that the vPC domains are only used as Layer 2 transit paths.

**Figure 10: Peering Between Two Routers with vPC Devices as Transit Switches**



This topology is commonly used when you want to establish connectivity between separate data centers that are interconnected with direct links (dark fibers or DWDM circuits). The two pairs of Cisco Nexus 3550-T switches, in this case, provide only Layer 2 extension services, allowing the Layer 3 devices to peer with each other at Layer 3.

## Peering with an External Router on Parallel Interconnected Routed Ports

When you require both routed and bridged traffic, use individual Layer 3 links for routed traffic and a separate Layer 2 port-channel for bridged traffic, as shown in following figure.

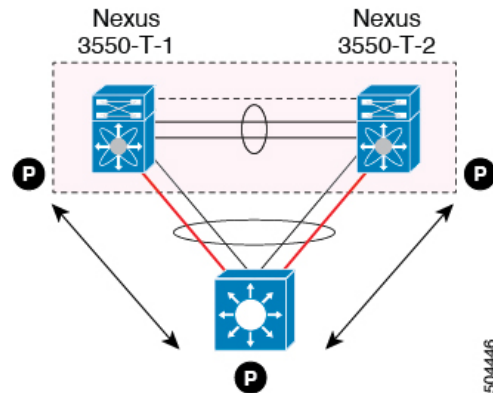
The Layer 2 links are used for bridged traffic (traffic staying in the same VLAN) or inter-VLAN traffic (assuming vPC domain hosts the interface VLAN and associated VRRP configuration).

The Layer 3 links are used for routing protocol peering adjacency with each vPC peer device.

The purpose of this topology is to attract specific traffic to go through the Layer 3 device. Layer 3 links are also used to carry routed traffic from a Layer 3 device to the vPC domain.



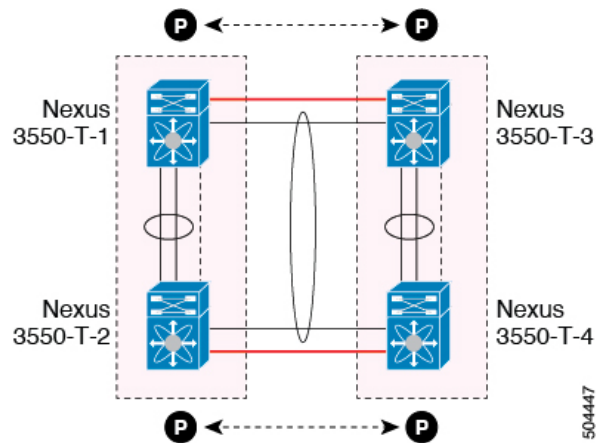
Figure 11: Peering with an External Router on Parallel Interconnected Routed Ports



## Peering between vPC Switch Pairs on Parallel Interconnected Routed Ports

An alternative design to what is shown in the previous section (Peering Between Two Routers with vPC Devices as Transit Switches), uses two pairs of Cisco Nexus 3550-T switches that are deployed in each data center for providing both Layer 2 and Layer 3 extension services. When routing protocol peering adjacency is required to be established between the two pairs of Cisco Nexus 3550-T devices, the best practice is to add dedicated Layer 3 links between the two sites as shown in the following example.

Figure 12: Peering Over a vPC Interconnection on Parallel Interconnected Routed Ports



The back-to-back vPC connection between the two data centers carry bridged traffic or inter-VLAN traffic while the dedicated Layer 3 links carry the routed traffic across the two sites.

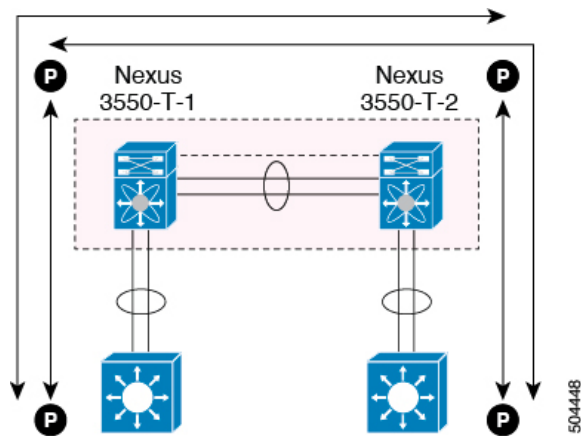
## Peering Over a PC Interconnection and Dedicated Interswitch Link Using non-vPC VLAN

This example shows when the Layer 3 device is single-attached to the vPC domain, you can use a non-vPC VLAN with a dedicated inter-switch link to establish the routing protocol peering adjacency between the Layer 3 device and each vPC peer device. However, the non-vPC VLAN must be configured to use a static MAC that is different than the vPC VLAN.



**Note** Configuring the vPC VLAN (and vPC Peer-Link) for this purpose is not supported.

Figure 13: Peering Over a PC Interconnection and Dedicated Interswitch Link Using non-vPC VLAN



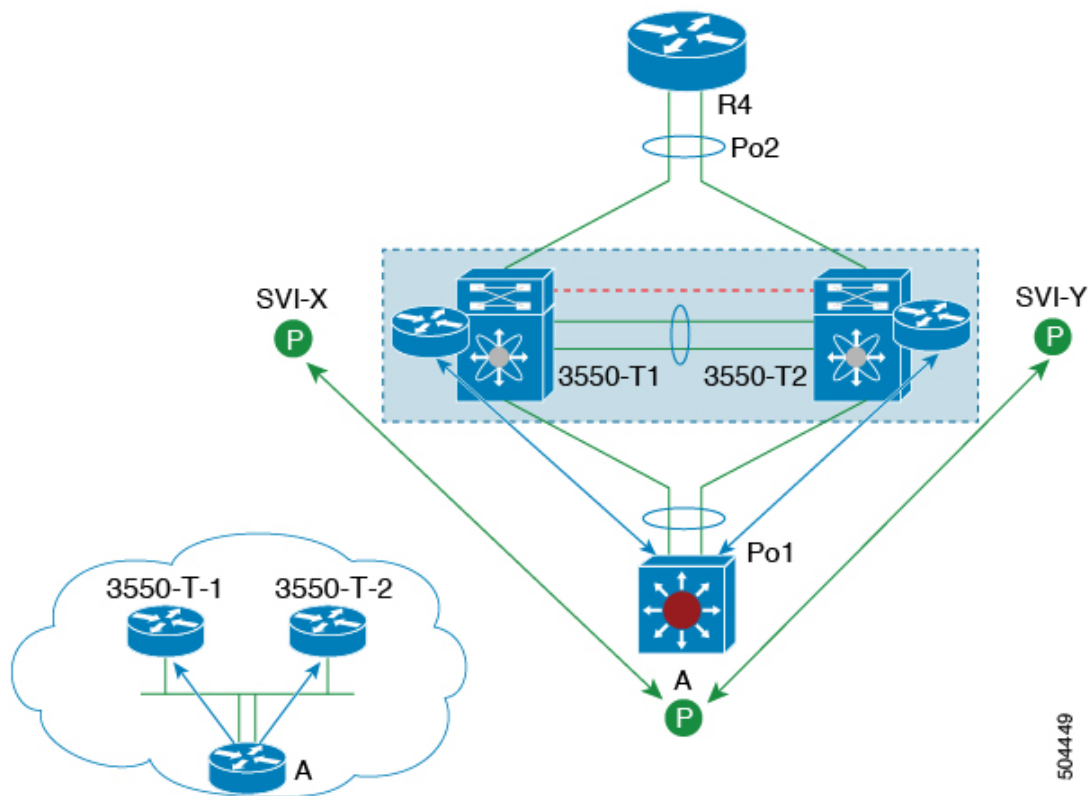
## Peering Directly Over a vPC Connection

An alternate method to establish Layer 3 peering between a Layer 3 router and a pair of Cisco Nexus 3550-T vPC switches.



**Note** Peering directly over a vPC connection is supported only for Layer 3 unicast communication but not for Layer 3 multicast traffic. If you require Layer 3 multicast, you must establish peering over dedicated Layer 3 links

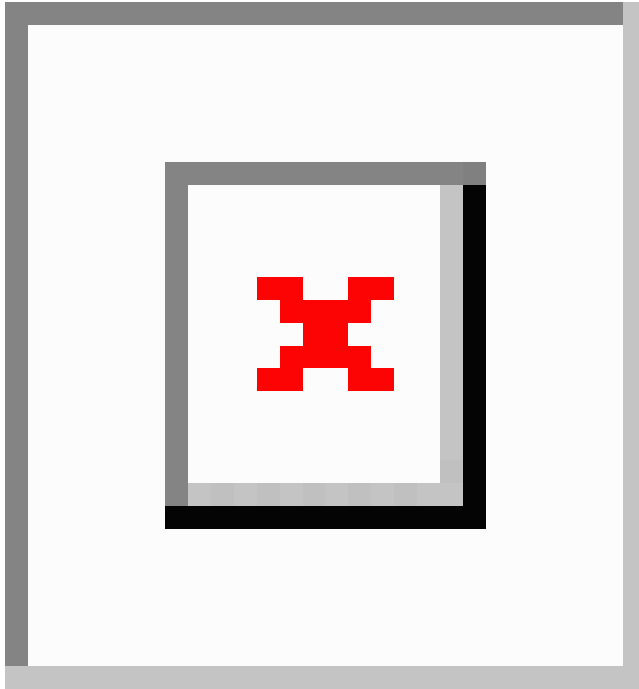
Figure 14: Supported: Peering Over a vPC Interconnection Where the Router Peers with Both the vPC Peers.



In this scenario, the Layer 3 peering between the external router and the Cisco Nexus 3550-T switches that are part of a same vPC domain is established directly on a VLAN carried on the vPC connection. The external router in this case peers with SVI interfaces defined on each vPC device. As for the scenario shown in previous figure 12, the external router could use an SVI or a Layer 3 Port-Channel to peer with the vPC devices (multiple SVIs or Port-Channel subinterfaces could be used for a multi-VRF deployment).

This deployment model requires configuring **layer3 peer-router** command as part of the vPC domain. You can adopt the same approach for establishing Layer 2 and Layer 3 connectivity on a vPC back-to-back connection established between two separate pairs of vPC switches.

**Figure 15: Supported: Peering Over a vPC Interconnection Where Each Nexus Device Peers with Two vPC Peers.**



In this deployment model, SVI interfaces in the same VLAN is configured on all the four Cisco Nexus 3550-T switches to establish routing peering and connectivity between them.

## Default Settings

The following table lists the default settings for vPC parameters.

**Table 1: Default vPC Parameters**

Parameters	Default
vPC system priority	32667
vPC peer-keepalive message	Disabled
vPC peer-keepalive interval	1 second
vPC peer-keepalive timeout	5 seconds
vPC peer-keepalive UDP port	3200

# Configuring vPCs



**Note** You must use these procedures on both devices on both sides of the vPC Peer-Link. You configure both of the vPC peer devices using these procedures.

This section describes how to configure vPCs using the command-line interface (CLI).



**Note** If you are familiar with the Cisco IOS CLI, be aware that the Cisco NX-OS commands for this feature might differ from the Cisco IOS commands that you would use.

## Enabling vPCs

You must enable the feature vPC before you can configure and use vPCs.

### Procedure

	Command or Action	Purpose
<b>Step 1</b>	<b>configure terminal</b>  <b>Example:</b> switch# <b>configure terminal</b> switch(config)#	Enters global configuration mode.
<b>Step 2</b>	<b>feature vpc</b>  <b>Example:</b> switch(config)# <b>feature vpc</b>	Enables vPCs on the device.
<b>Step 3</b>	<b>exit</b>  <b>Example:</b> switch(config)# <b>exit</b> switch#	Exits global configuration mode.
<b>Step 4</b>	<b>show feature</b>  <b>Example:</b> switch# <b>show feature</b>	(Optional) Displays which features are enabled on the device.
<b>Step 5</b>	<b>copy running-config startup-config</b>  <b>Example:</b> switch# <b>copy running-config startup-config</b>	(Optional) Copies the running configuration to the startup configuration.

**Example**

This example shows how to enable the vPC feature:

```
switch# configure terminal
switch(config)# feature vpc
switch(config)# exit
switch(config)#
```

## Disabling vPCs



**Note** When you disable the vPC functionality, the device clears all the vPC configurations.

**Procedure**

	Command or Action	Purpose
<b>Step 1</b>	<b>configure terminal</b>  <b>Example:</b> switch# <b>configure terminal</b> switch(config)#	Enters global configuration mode.
<b>Step 2</b>	<b>no feature vpc</b>  <b>Example:</b> switch(config)# <b>no feature vpc</b>	Disables vPCs on the device.
<b>Step 3</b>	<b>exit</b>  <b>Example:</b> switch(config)# <b>exit</b> switch#	Exits global configuration mode.
<b>Step 4</b>	<b>show feature</b>  <b>Example:</b> switch# <b>show feature</b>	(Optional) Displays which features are enabled on the device.
<b>Step 5</b>	<b>copy running-config startup-config</b>  <b>Example:</b> switch# <b>copy running-config startup-config</b>	(Optional) Copies the running configuration to the startup configuration.

**Example**

This example shows how to disable the vPC feature:

```
switch# configure terminal
switch(config)# no feature vpc
switch(config)# exit
switch#
```

## Creating a vPC Domain and Entering vpc-domain Mode

You can create a vPC domain and put the vPC Peer-Link port channels into the identical vPC domain on both vPC peer devices. Use a unique vPC domain number throughout a single vPC domain . This domain ID is used to automatically to form the vPC system MAC address.

You can also use this command to enter vpc-domain command mode.

### Procedure

	Command or Action	Purpose
<b>Step 1</b>	<b>configure terminal</b> <b>Example:</b> switch# <b>configure terminal</b> switch(config)#	Enters global configuration mode.
<b>Step 2</b>	<b>vpc domain</b> <i>domain-id</i> [ <b>shut</b>   <b>no shut</b> ] <b>Example:</b> switch(config)# <b>vpc domain 5</b> switch(config-vpc-domain)#	Creates a vPC domain on the device, and enters vpc-domain configuration mode for configuration purposes. There is no default; the range is from 1 to 1000.
<b>Step 3</b>	<b>exit</b> <b>Example:</b> switch(config)# <b>exit</b> switch#	Exits vpc-domain configuration mode.
<b>Step 4</b>	<b>show vpc brief</b> <b>Example:</b> switch# <b>show vpc brief</b>	(Optional) Displays brief information about each vPC domain.
<b>Step 5</b>	<b>copy running-config startup-config</b> <b>Example:</b> switch# <b>copy running-config startup-config</b>	(Optional) Copies the running configuration to the startup configuration.

### Example

This example shows how to enter the vpc-domain command mode to configure an existing vPC domain:

```
switch# configure terminal
switch(config)# vpc domain 5
```

```
switch(config-vpc-domain) # exit
switch(config) #
```

## Configuring a vPC Keepalive Link and Messages

You can configure the destination IP for the peer-keepalive link that carries the keepalive messages. Optionally, you can configure other parameters for the keepalive messages.



**Note** You must configure the vPC peer-keepalive link before the system can form the vPC Peer-Link.



**Note** We recommend that you configure a default VRF instance and put a Layer 3 port from each vPC peer device into that VRF for the vPC peer-keepalive link. Do not use the vPC Peer-Link itself to send vPC peer-keepalive messages. For information about creating and configuring VRFs, see the *Cisco 3550-T Unicast Configuration Guide*. Ensure that both the source and destination IP addresses use for the peer-keepalive message are unique in your network. The management port and management VRF are the defaults for these keepalive messages.

### Before you begin

Ensure that you have enabled the vPC feature.

### Procedure

	Command or Action	Purpose
<b>Step 1</b>	<b>configure terminal</b>  <b>Example:</b> <pre>switch# configure terminal switch(config) #</pre>	Enters global configuration mode.
<b>Step 2</b>	<b>vpc domain <i>domain-id</i> [shut   no shut]</b>  <b>Example:</b> <pre>switch(config) # vpc domain 5 switch(config-vpc-domain) #</pre>	Creates a vPC domain on the device, and enters vpc-domain configuration mode.
<b>Step 3</b>	<b>peer-keepalive destination <i>ipaddress</i></b> <b>[hold-timeout <i>secs</i>   interval <i>msecs</i> {timeout <i>secs</i>}   {precedence {<i>prec-value</i>   network   internet   critical   flash-override   flash   immediate priority   routine}}   tos {<i>tos-value</i>   max-reliability   max-throughput   min-delay   min-monetary-cost   normal}}   tos-byte <i>tos-byte-value</i>}   source <i>ipaddress</i>   vrf {<i>name</i>   management vpc-keepalive}]</b>  <b>Example:</b>	Configures the IPv4 addresses for the remote end of the vPC peer-keepalive link.  <b>Note</b> The system does not form the vPC Peer-Link until you configure a vPC peer-keepalive link.  The management ports and VRF are the defaults.  <b>Note</b>



	Command or Action	Purpose
	<pre>switch(config-vpc-domain) # peer-keepalive destination 172.28.230.85 switch(config-vpc-domain) #</pre>	We recommend that you configure a default VRF and use a Layer 3 port from each vPC peer device in that VRF for the vPC peer-keepalive link.
<b>Step 4</b>	<p><b>exit</b></p> <p><b>Example:</b></p> <pre>switch(config) # exit switch#</pre>	Exits global configuration mode.
<b>Step 5</b>	<p><b>show vpc statistics</b></p> <p><b>Example:</b></p> <pre>switch# show vpc statistics</pre>	(Optional) Displays information about the configuration for the keepalive messages.
<b>Step 6</b>	<p><b>copy running-config startup-config</b></p> <p><b>Example:</b></p> <pre>switch# copy running-config startup-config</pre>	(Optional) Copies the running configuration to the startup configuration.

### Example

This example shows how to configure the destination and source IP address and VRF for the vPC-peer-keepalive link:

```
switch# configure terminal
switch(config) # vpc domain 100
switch(config-vpc-domain) # peer-keepalive destination 172.168.1.2 source 172.168.1.1 vrf
vpc-keepalive
switch(config-vpc-domain) # exit
switch#
```

## Creating a vPC Peer-Link

You create the vPC Peer-Link by designating the port channel that you want on each device as the vPC Peer-Link for the specified vPC domain. We recommend that you configure the Layer 2 port channels that you are designating as the vPC Peer-Link in trunk mode and that you use two ports on separate modules on each vPC peer device for redundancy.

### Before you begin

Ensure that you have enabled the vPC feature.

## Procedure

	Command or Action	Purpose
<b>Step 1</b>	<b>configure terminal</b> <b>Example:</b> <pre>switch# configure terminal switch(config)#</pre>	Enters global configuration mode.
<b>Step 2</b>	<b>interface port-channel <i>channel-number</i></b> <b>Example:</b> <pre>switch(config)# interface port-channel 20 switch(config-if)#</pre>	Selects the port channel that you want to use as the vPC Peer-Link for this device, and enters interface configuration mode.
<b>Step 3</b>	<b>switchport mode trunk</b> <b>Example:</b> <pre>switch(config-if)# switchport mode trunk</pre>	(Optional) Configures this interface in trunk mode.
<b>Step 4</b>	<b>switchport trunk allowed vlan <i>vlan-list</i></b> <b>Example:</b> <pre>switch(config-if)# switchport trunk allowed vlan 1-120,201-3967</pre>	(Optional) Configures the permitted VLAN list.
<b>Step 5</b>	<b>vpc peer-link</b> <b>Example:</b> <pre>switch(config-if)# vpc peer-link switch(config-vpc-domain)#</pre>	Configures the selected port channel as the vPC Peer-Link, and enters vpc-domain configuration mode.
<b>Step 6</b>	<b>exit</b> <b>Example:</b> <pre>switch(config)# exit switch#</pre>	Exits vpc-domain configuration mode.
<b>Step 7</b>	<b>show vpc brief</b> <b>Example:</b> <pre>switch# show vpc brief</pre>	(Optional) Displays information about each vPC, including information about the vPC Peer-Link.
<b>Step 8</b>	<b>copy running-config startup-config</b> <b>Example:</b> <pre>switch# copy running-config startup-config</pre>	(Optional) Copies the running configuration to the startup configuration.

## Example

This example shows how to configure a vPC Peer-Link:

```

switch# configure terminal
switch(config)# interface port-channel 20
switch(config-if)# switchport mode
switch(config-if)# switchport mode trunk
switch(config-if)# switchport trunk allowed vlan 1-255
switch(config-if)# vpc peer-link
switch(config-vpc-domain)# exit
switch(config)#

```

## Configuring a vPC Peer-Gateway

You can configure vPC peer devices to act as the gateway for packets that are destined to the vPC peer device's MAC address.

### Before you begin

Ensure that you have enabled the vPC feature.

### Procedure

	Command or Action	Purpose
<b>Step 1</b>	<b>configure terminal</b> <b>Example:</b> switch# <b>configure terminal</b> switch(config)#	Enters global configuration mode.
<b>Step 2</b>	<b>vpc domain <i>domain-id</i> [shut   no shut]</b> <b>Example:</b> switch(config-if)# <b>vpc domain 5</b> switch(config-vpc-domain)#	Creates a vPC domain if it does not already exist, and enters vpc-domain configuration mode.
<b>Step 3</b>	<b>peer-gateway</b> <b>Example:</b> switch(config-vpc-domain)# <b>peer-gateway</b> <b>Note</b> Disable IP redirects on all interface-vlans of this vPC domain for correct operation of this feature.	Enables Layer 3 forwarding for packets destined to the peer's gateway MAC address.
<b>Step 4</b>	<b>exit</b> <b>Example:</b> switch(config)# <b>exit</b> switch#	Exits vpc-domain configuration mode.
<b>Step 5</b>	<b>show vpc brief</b> <b>Example:</b> switch# <b>show vpc brief</b>	(Optional) Displays information about each vPC, including information about the vPC Peer-Link.

	Command or Action	Purpose
<b>Step 6</b>	<b>copy running-config startup-config</b>  <b>Example:</b> <pre>switch# copy running-config startup-config</pre>	(Optional) Copies the running configuration to the startup configuration.

## Configuring Fast Convergence

Fast convergence feature is supported on Cisco Nexus 9000 Series platforms. You can enable or disable the vPC optimizations using this command. To achieve faster convergence, you must enable **[no] fast-convergence** on both vPC peers to achieve fast-convergence. The optimization is archived on secondary switch, vPC member ports and orphan ports with **vpc orphan-ports suspend** command is configured. In case the vPC Peer-Link fails, these ports will be suspended immediately and traffic will be forwarded to primary vPC peer only to improve convergence.

Beginning with Cisco NX-OS Release 7.0(3)I7(1), fast convergence feature is supported on Cisco Nexus 9000 Series platforms. You can enable or disable the vPC optimizations using this command. To achieve faster convergence, you must enable **[no] fast-convergence** on both vPC peers to achieve fast-convergence. The optimization is archived on secondary switch, vPC member ports and orphan ports with **vpc orphan-ports suspend** command is configured. In case the vPC Peer-Link fails, these ports will be suspended immediately and traffic will be forwarded to primary vPC peer only to improve convergence.

### Procedure

	Command or Action	Purpose
<b>Step 1</b>	<b>configure terminal</b>	Enters global configuration mode.
<b>Step 2</b>	<b>switch(config) # vpc domain &lt;domain&gt;</b>	Configure the VPC domain number.
<b>Step 3</b>	<b>switch(config) # peer-switch</b>	Define the peer switch.
<b>Step 4</b>	<b>switch(config) # show vpc peer-keepalive</b>	Displays information about the peer keepalive messages
<b>Step 5</b>	<b>switch(config) # delay restore { time }</b>	Number of seconds to delay bringing up the restored vPC peer device. The range is from 1 to 3600.
<b>Step 6</b>	<b>switch(config) # peer-gateway</b>	To enable Layer 3 forwarding for packets destined to the gateway MAC address of the virtual Port Channel (vPC), use the peer-gateway command. To disable Layer 3 forwarding packets, use the no form of this command.
<b>Step 7</b>	<b>switch(config) # delay restore orphan-port</b>	Number of seconds to delay bringing up the restored device's orphan port

	Command or Action	Purpose
Step 8	<code>switch(config-vpc-domain)# fast-convergence</code>	Configure vPC fast convergence.

## Configuring LACP vPC Convergence

Beginning with Cisco NX-OS Release 7.0(3)I7(1), Link Aggregation Control Protocol (LACP) vPC convergence feature is supported on Cisco Nexus 9200 and 9300 Series Switches. You can configure LACP vPC convergence feature for more efficient use of port channels by reducing convergence time of vPC port channel for member link going down and first member bring up.

Beginning with Cisco NX-OS Release 7.0(3)I7(5), Link Aggregation Control Protocol (LACP) vPC convergence feature is supported on Cisco Nexus 9500 Series Switches with 9700-EX and 9700-FX line cards. This feature is not supported on Nexus 9500 with 9400, 9500, and 9600 and 9600-R line cards.

Link Aggregation Control Protocol (LACP) vPC convergence feature is supported on Cisco Nexus 9500 Series Switches with 9700-EX and 9700-FX line cards. This feature is not supported on Nexus 9500 with 9400, 9500, and 9600 and 9600-R line cards.

Link Aggregation Control Protocol (LACP) vPC convergence feature is supported on Cisco Nexus 9200 and 9300 Series Switches. You can configure LACP vPC convergence feature for more efficient use of port channels by reducing convergence time of vPC port channel for member link going down and first member bring up.

When you configure LACP vPC convergence on a Cisco Nexus 9000 switch, it waits until all the VLANs are initialized and programmed and then send LACP sync PDU, which will start sending traffic to the VPC domain without drops. You may configure the **lACP vpc-convergence** command in a VXLAN and non-VXLAN environments that have vPC port-channels to hosts that support LACP.

### Procedure

	Command or Action	Purpose
Step 1	<code>configure terminal</code>	Enters global configuration mode.
Step 2	<code>switch(config) # interface {type/slot   portchannel number}</code>	Specifies an interface to configure, and enters interface configuration mode.
Step 3	<code>switch(config-if) # lACP vpc-convergence</code>	<p>Configure LACP convergence. Reduce the convergence time of the vPC port channel for member link going down and first member bring up.</p> <p><b>Note</b> You must enable this command on both the vPC peer switches. This command must be configured only on PortFast ports (vPC port channels on which the spanning-tree port type edge [trunk] is enabled).</p> <p><b>Note</b> In a vPC environment, when this command is not configured on vPC port-channel interfaces</p>

	Command or Action	Purpose
		to devices that support LACP, and if one of the vPC peers is reloaded or if one of the links is brought up, the link(s) connected to the vPC peer switch in the 'up' state will remain active and forward traffic. The other link(s) may go down and will transition to the 'up' state. The links transitioning to the 'up' state starts initializing VLANs. When the VLANs are initialized, LACP sync PDUs are sent per initialized VLAN, which will bring port-channel into 'up' state and that leads to traffic black-hole for non-idealized VLANs.

## Configuring a Graceful Consistency Check

You can configure the graceful consistency check feature, which is enabled by default. Unless this feature is enabled, the vPC is completely suspended when a mismatch in a mandatory compatibility parameter is introduced in a working vPC. When this feature is enabled, only the links on the secondary peer device are suspended. See the “Compatibility Parameters for vPC Interfaces” section for information about consistent configurations on the vPCs.

### Procedure

	Command or Action	Purpose
<b>Step 1</b>	<b>configure terminal</b>  <b>Example:</b> switch# <b>configure terminal</b> switch(config)#	Enters global configuration mode.
<b>Step 2</b>	<b>vpc domain <i>domain-id</i> [shut   no shut]</b>  <b>Example:</b> switch(config-if)# <b>vpc domain 5</b> switch(config-vpc-domain)#	Creates a vPC domain if it does not already exist, and enters vpc-domain configuration mode.
<b>Step 3</b>	<b>graceful consistency-check</b>  <b>Example:</b> switch(config-vpc-domain)# <b>graceful consistency-check</b>	Specifies that only the links on the secondary peer device are suspended when a mismatch is detected in a mandatory compatibility parameter.  Use the <b>no</b> form of this command to disable the feature.
<b>Step 4</b>	<b>exit</b>  <b>Example:</b> switch(config)# <b>exit</b> switch#	Exits vpc-domain configuration mode.

	Command or Action	Purpose
<b>Step 5</b>	<b>show vpc brief</b>  <b>Example:</b> switch# <b>show vpc brief</b>	(Optional) Displays information on the vPCs.

### Example

This example shows how to enable the graceful consistency check feature:

```
switch# configure terminal
switch(config)# vpc domain 5
switch(config-vpc-domain)# graceful consistency-check
switch(config-vpc-domain)# exit
switch(config)#
```

## Checking the Configuration Compatibility on a vPC Peer-Link

After you have configured the vPC Peer-Link on both vPC peer devices, check that the configurations are consistent on all vPC interfaces. See the “Compatibility Parameters for vPC Interfaces” section for information about consistent configurations on the vPCs.

### Procedure

	Command or Action	Purpose
<b>Step 1</b>	<b>configure terminal</b>  <b>Example:</b> switch# <b>configure terminal</b> switch(config)#	Enters global configuration mode.
<b>Step 2</b>	<b>show vpc consistency-parameters {global   interface port-channel channel-number}</b>  <b>Example:</b> switch(config)# <b>show vpc consistency-parameters global</b> switch(config)#	(Optional) Displays the status of those parameters that must be consistent across all vPC interfaces.

### Example

This example shows how to check that the required configurations are compatible across all the vPC interfaces:

```
switch# configure terminal
switch(config)# show vpc consistency-parameters global
switch(config)#
```



**Note** Messages regarding the vPC interface configuration compatibility are also logged to the syslog.

## Moving Other Port Channels into a vPC

We recommend that you attach the vPC domain downstream port channel to two devices for redundancy.

To connect to the downstream device, you create a port channel from the downstream device to the primary vPC peer device and you create another port channel from the downstream device to the secondary peer device. On each vPC peer device, you assign a vPC number to the port channel that connects to the downstream device. You will experience minimal traffic disruption when you are creating vPCs.

### Before you begin

Ensure that you have enabled the vPC feature.

Ensure that you are using a Layer 2 port channel.

### Procedure

	Command or Action	Purpose
<b>Step 1</b>	<b>configure terminal</b> <b>Example:</b> <pre>switch# configure terminal switch(config)#</pre>	Enters global configuration mode.
<b>Step 2</b>	<b>interface port-channel</b> <i>channel-number</i> <b>Example:</b> <pre>switch(config)# interface port-channel 20 switch(config-if)#</pre>	Selects the port channel that you want to put into the vPC to connect to the downstream device, and enters interface configuration mode.
<b>Step 3</b>	<b>vpc</b> <i>number</i> <b>Example:</b> <pre>switch(config-if)# vpc 5 switch(config-vpc-domain)#</pre>	Configures the selected port channel into the vPC to connect to the downstream device. You can use any module in the device for these port channels. The range is from 1 and 4096.  <b>Note</b> The vPC number that you assign to the port channel connecting to the downstream device from the vPC peer device must be identical on both vPC peer devices.
<b>Step 4</b>	<b>exit</b> <b>Example:</b> <pre>switch(config)# exit switch#</pre>	Exits vpc-domain configuration mode.



	Command or Action	Purpose
<b>Step 5</b>	<b>show vpc brief</b> <b>Example:</b> switch# <b>show vpc brief</b>	(Optional) Displays information on the vPCs.
<b>Step 6</b>	<b>copy running-config startup-config</b> <b>Example:</b> switch# <b>copy running-config startup-config</b>	(Optional) Copies the running configuration to the startup configuration.

### Example

This example shows how to configure a port channel to connect to the downstream device:

```
switch# configure terminal
switch(config)# interface port-channel 20
switch(config-if)# vpc 5
switch(config-if)# exit
switch(config)#
```

## Manually Configuring a vPC Domain MAC Address

When you create a vPC domain, the Cisco NX-OS software automatically creates a vPC system MAC address, which is used for operations that are confined to the link-scope, such as LACP. However, you might choose to configure the vPC domain MAC address manually.

### Before you begin

Ensure that you have enabled the vPC feature.

### Procedure

	Command or Action	Purpose
<b>Step 1</b>	<b>configure terminal</b> <b>Example:</b> switch# <b>configure terminal</b> switch(config)#	Enters global configuration mode.
<b>Step 2</b>	<b>vpc domain domain-id [shut   no shut]</b> <b>Example:</b> switch(config)# <b>vpc domain 5</b> switch(config-vpc-domain)#	Enters the vPC domain number that you want to configure. The system enters vpc-domain configuration mode.

	Command or Action	Purpose
<b>Step 3</b>	<b>system-mac</b> <i>mac-address</i> <b>Example:</b> <pre>switch(config-vpc-domain)# <b>system-mac</b> <b>23fb.4ab5.4c4e</b> switch(config-vpc-domain)#</pre>	Enters the MAC address that you want for the specified vPC domain in the following format: <code>aaaa.bbbb.cccc</code> .
<b>Step 4</b>	<b>exit</b> <b>Example:</b> <pre>switch(config-vpc-domain)# <b>exit</b> switch#</pre>	Exits vpc-domain configuration mode.
<b>Step 5</b>	<b>show vpc role</b> <b>Example:</b> <pre>switch# <b>show vpc brief</b></pre>	(Optional) Displays the vPC system MAC address.
<b>Step 6</b>	<b>copy running-config startup-config</b> <b>Example:</b> <pre>switch# <b>copy running-config</b> <b>startup-config</b></pre>	(Optional) Copies the running configuration to the startup configuration.

### Example

This example shows how to manually configure a vPC domain MAC address:

```
switch# configure terminal
switch(config)# vpc domain 5
switch(config-vpc-domain)# system-mac 13gb.4ab5.4c4e
switch(config-vpc-domain)# exit
switch(config)#
```

## Manually Configuring the System Priority

When you create a vPC domain, the system automatically creates a vPC system priority. However, you can also manually configure a system priority for the vPC domain.



**Note** We recommend that you manually configure the vPC system priority when you are running LACP to ensure that the vPC peer devices are the primary devices on LACP. When you manually configure the system priority, ensure that you configure the same priority value on both vPC peer devices. If these values do not match, vPC does not come up.

### Before you begin

Ensure that you have enabled the vPC feature.

## Procedure

	Command or Action	Purpose
<b>Step 1</b>	<b>configure terminal</b>  <b>Example:</b> switch# <b>configure terminal</b> switch(config)#	Enters global configuration mode.
<b>Step 2</b>	<b>vpc domain <i>domain-id</i> [shut   no shut]</b>  <b>Example:</b> switch(config)# <b>vpc domain 5</b> switch(config-vpc-domain)#	Enters the vPC domain number that you want to configure. The system enters vpc-domain configuration mode.
<b>Step 3</b>	<b>system-priority <i>priority</i></b>  <b>Example:</b> switch(config-vpc-domain)# <b>system-priority 4000</b> switch(config-vpc-domain)#	Enters the system priority that you want for the specified vPC domain. The range of values is from 1 to 65535. The default value is 32667.
<b>Step 4</b>	<b>exit</b>  <b>Example:</b> switch(config-vpc-domain)# <b>exit</b> switch#	Exits vpc-domain configuration mode.
<b>Step 5</b>	<b>show vpc role</b>  <b>Example:</b> switch# show vpc role	(Optional) Displays the vPC system priority.
<b>Step 6</b>	<b>copy running-config startup-config</b>  <b>Example:</b> switch# <b>copy running-config startup-config</b>	(Optional) Copies the running configuration to the startup configuration.

### Example

This example shows how to manually configure the vPC domain system priority:

```
switch# configure terminal
switch(config)# vpc domain 5
switch(config-vpc-domain)# system-priority 4000
switch(config-vpc-domain)# exit
switch(config)#
```

## Manually Configuring the vPC Peer Device Role

By default, the Cisco NX-OS software elects a primary and secondary vPC peer device after you configure the vPC domain and both sides of the vPC Peer-Link. However, you might want to elect a specific vPC peer

device as the primary device for the vPC. Then, you would manually configure the role value for the vPC peer device that you want as the primary device to be lower than the other vPC peer device.

vPCs do not support role preemption. If the primary vPC peer device fails, the secondary vPC peer device takes over to become operationally the vPC primary device. However, the original operational roles are not restored if the formerly primary vPC comes up again.

### Before you begin

Ensure that you have enabled the vPC feature.

### Procedure

	Command or Action	Purpose
<b>Step 1</b>	<b>configure terminal</b>  <b>Example:</b> switch# <b>configure terminal</b> switch(config)#	Enters global configuration mode.
<b>Step 2</b>	<b>vpc domain <i>domain-id</i> [shut   no shut]</b>  <b>Example:</b> switch(config)# <b>vpc domain 5</b> switch(config-vpc-domain)#	Enters the vPC domain number that you want to configure. The system enters vpc-domain configuration mode.
<b>Step 3</b>	<b>role priority <i>priority</i></b>  <b>Example:</b> switch(config-vpc-domain)# <b>role priority 4</b> switch(config-vpc-domain)#	Enters the role priority that you want for the vPC system priority. The range of values is from 1 to 65636, and the default value is 32667. A lower value means that this switch has a better chance of being the primary vPC.
<b>Step 4</b>	<b>exit</b>  <b>Example:</b> switch(config)# <b>exit</b> switch#	Exits vpc-domain configuration mode.
<b>Step 5</b>	<b>show vpc role</b>  <b>Example:</b> switch# <b>show vpc role</b>	(Optional) Displays the vPC system priority.
<b>Step 6</b>	<b>copy running-config startup-config</b>  <b>Example:</b> switch# <b>copy running-config startup-config</b>	(Optional) Copies the running configuration to the startup configuration.

### Example

This example shows how to manually configure the role priority of the vPC peer device:

```
switch# configure terminal
switch(config)# vpc domain 5
switch(config-vpc-domain)# role priority 4
switch(config-vpc-domain)# exit
switch(config)#
```

## Configuring for Recovery After an Outage

If an outage occurs, the vPC waits for a peer adjacency to form on a switch reload. This situation can result in an unacceptably long service disruption. You can configure the Cisco Nexus 3550-T Series device to restore vPC services when its peer fails to come on line.

### Configuring Reload Restore

The **reload restore** command and procedure described in this section is deprecated. We recommend that you use the **auto-recovery** command and procedure described in the “Configuring an Autorecovery” section.

You can configure the Cisco Nexus 3550-T device to restore vPC services when its peer fails to come online by using the **reload restore** command.

#### Before you begin

Ensure that you have enabled the vPC feature.

#### Procedure

	Command or Action	Purpose
<b>Step 1</b>	<b>configure terminal</b>  <b>Example:</b> switch# <b>configure terminal</b> switch(config)#	Enters global configuration mode.
<b>Step 2</b>	<b>vpc domain <i>domain-id</i> [shut   no shut]</b>  <b>Example:</b> switch(config)# <b>vpc domain 5</b> switch(config-vpc-domain)#	Enters the vPC domain number that you want to configure, and enters vpc-domain configuration mode.
<b>Step 3</b>	<b>reload restore [delay <i>time-out</i>]</b>  <b>Example:</b> switch(config-vpc-domain)# <b>reload restore</b>	Configures the vPC to assume its peer is not functional and to bring up the vPC. The default delay is 240 seconds. You can configure a time-out delay from 240 to 3600 seconds.  Use the <b>no</b> form of the command to reset the vPC to its default settings.
<b>Step 4</b>	<b>exit</b>  <b>Example:</b> switch(config-vpc-domain)# <b>exit</b> switch#	Exits vpc-domain configuration mode.

	Command or Action	Purpose
<b>Step 5</b>	<b>show running-config vpc</b> <b>Example:</b> switch# <b>show running-config vpc</b>	(Optional) Displays information about the vPC, specifically the reload status.
<b>Step 6</b>	<b>show vpc consistency-parameters interface port-channel number</b> <b>Example:</b> switch# <b>show vpc consistency-parameters interface port-channel 1</b>	(Optional) Displays information about the vPC consistency parameters for the specified interface.
<b>Step 7</b>	<b>copy running-config startup-config</b> <b>Example:</b> switch# <b>copy running-config startup-config</b>	(Optional) Copies the running configuration to the startup configuration.  <b>Note</b> To ensure the reload feature is enabled, you should perform this step.

### Example

This example shows how to set the vPC reload restore feature and save it in the switch startup configuration:

```
switch# configure terminal
Enter configuration commands, one per line. End with CNTL/Z.
switch(config)# vpc domain 5
switch(config-vpc-domain)# reload restore
```

Warning:

Enables restoring of vPCs in a peer-detached state after reload, will wait for 240 seconds (by default) to determine if peer is un-reachable

```
switch(config-vpc-domain)# exit
switch(config)# exit
switch# copy running-config startup-config
switch# show running-config vpc
```

```
!Command: show running-config vpc
!Time: Wed Mar 24 18:43:54 2010
version 5.0(2)
feature vpc
logging level vpc 6
vpc domain 5
reload restore
```

This example shows how to examine the consistency parameters:

```
switch# show vpc consistency-parameters interface port-channel 1
```

Legend:

Type 1 : vPC will be suspended in case of mismatch  
Name Type Local Value Peer Value

```
-----
STP Port Type 1 Default -
STP Port Guard 1 None -
STP MST Simulate PVST 1 Default -
```

```

mode 1 on -
Speed 1 1000 Mb/s -
Duplex 1 full -
Port Mode 1 trunk -
Native Vlan 1 1 -
MTU 1 1500 -
Allowed VLANs - 1-3967,4048-4093
Local suspended VLANs

```

## Configuring an Autorecovery

You can configure the Cisco Nexus 3550-T Series device to restore vPC services when its peer fails to come online by using the auto-recovery command.

You can configure the Cisco Nexus 3550-T Series device to restore vPC services on the secondary vPC peer when its vPC primary peer fails and bringing down peer-keepalive and vPC Peer-Link, by using the **auto-recovery** command. In case of failure of primary switch where both peer-keepalive and vPC Peer-Links are down secondary switch will suspend vPC member. However, after 3 missed keepalive heartbeats secondary switch resumes the role of a primary switch and bring up vPC member ports. The **auto-recovery reload restore** command can be used in scenarios when vPC primary switch reloads, where secondary switch resumes the role of the vPC primary and bring ip VPC member ports.

### Before you begin

Ensure that you have enabled the vPC feature.

### Procedure

	Command or Action	Purpose
<b>Step 1</b>	<b>configure terminal</b>  <b>Example:</b> switch# <b>configure terminal</b> switch(config)#	Enters global configuration mode.
<b>Step 2</b>	<b>vpc domain <i>domain-id</i> [shut   no shut]</b>  <b>Example:</b> switch(config)# <b>vpc domain 5</b> switch(config-vpc-domain)#	Enters the vPC domain number that you want to configure, and enters vpc-domain configuration mode.
<b>Step 3</b>	<b>auto-recovery [reload-delay <i>time</i>]</b>  <b>Example:</b> switch(config-vpc-domain)# <b>auto-recovery</b>	Configures the vPC to assume its peer is not functional and to bring up the vPC, and specifies the time to wait after a reload to restore the vPC. The default delay is 240 seconds. You can configure a delay from 240 to 3600 seconds.  Use the <b>no</b> form of the command to reset the vPC to its default settings.
<b>Step 4</b>	<b>exit</b>  <b>Example:</b> switch(config-vpc-domain)# <b>exit</b> switch#	Exits vpc-domain configuration mode.

	Command or Action	Purpose
<b>Step 5</b>	<b>show running-config vpc</b> <b>Example:</b> switch# <b>show running-config vpc</b>	(Optional) Displays information about the vPC, specifically the reload status.
<b>Step 6</b>	<b>show vpc consistency-parameters interface port-channel number</b> <b>Example:</b> switch# <b>show vpc consistency-parameters interface port-channel 1</b>	(Optional) Displays information about the vPC consistency parameters for the specified interface.
<b>Step 7</b>	<b>copy running-config startup-config</b> <b>Example:</b> switch# <b>copy running-config startup-config</b>	(Optional) Copies the running configuration to the startup configuration.  <b>Note</b> To ensure the autorecovery feature is enabled, you should perform this step.

### Example

This example shows how to set the vPC autorecovery feature and save it in the switch startup configuration:

```
switch# configure terminal
Enter configuration commands, one per line. End with CNTL/Z.
switch(config)# vpc domain 5
switch(config-vpc-domain)# auto-recovery
switch(config-vpc-domain)# auto-recovery auto-recovery reload-delay 100
```

Warning:

Enables restoring of vPCs in a peer-detached state after reload, will wait for 240 seconds to determine if peer is un-reachable

```
switch(config-vpc-domain)# exit
switch(config)# exit
switch# copy running-config startup-config
```

## Configuring the Suspension of Orphan Ports

When a device that is not vPC-capable connects to each peer, the connected ports are known as orphan ports because they are not members of a vPC. You can explicitly declare physical interfaces as orphan ports to be suspended (shut down) by the secondary peer when it suspends its vPC ports in response to a vPC Peer-Link or peer-keepalive failure. The orphan ports are restored when the vPC is restored.



**Note** You can configure vPC orphan port suspension only on physical ports, portchannels. However, you cannot configure the same on individual port channel member ports.



**Before you begin**

Ensure that you have enabled the vPC feature.

**Procedure**

	<b>Command or Action</b>	<b>Purpose</b>
<b>Step 1</b>	<b>configure terminal</b> <b>Example:</b> switch# <b>configure terminal</b> switch(config)#	Enters global configuration mode.
<b>Step 2</b>	<b>show vpc orphan-ports</b> <b>Example:</b> switch# <b>show vpc orphan-ports</b>	(Optional) Displays a list of the orphan ports.
<b>Step 3</b>	<b>interface type slot/port</b> <b>Example:</b> switch(config)# <b>interface ethernet 1/3</b> switch(config-if)#	Specifies an interface to configure, and enters interface configuration mode.
<b>Step 4</b>	<b>vpc orphan-port suspend</b> <b>Example:</b> switch(config-if)# <b>vpc orphan-ports suspend</b>	Configures the selected interface as a vPC orphan port to be suspended by the secondary peer in the case of a vPC failure.
<b>Step 5</b>	<b>exit</b> <b>Example:</b> switch(config-if)# <b>exit</b> switch#	Exits interface configuration mode.
<b>Step 6</b>	<b>copy running-config startup-config</b> <b>Example:</b> switch# <b>copy running-config startup-config</b>	(Optional) Copies the running configuration to the startup configuration.

**Example**

This example shows how to configure an interface as a vPC orphan port to be suspended by the secondary peer in the case of a vPC failure:

```
switch# configure terminal
switch(config)# interface ethernet 1/3
switch(config-if)# vpc orphan-ports suspend
switch(config-if)# exit
switch(config)#
```

## Configuring Delay Restore on an Orphan Port

You can configure **delay restore orphan-port** command on Cisco Nexus 9000 Series switches to configure a restore timer that delays the bringing up of restored device's orphan port starting from Cisco NX-OS Release 7.0(3)I7(1).

You can configure **delay restore orphan-port** command on Cisco Nexus 9000 Series switches to configure a restore timer that delays the bringing up of restored device's orphan port.



**Note** The delay restore orphan-port command applies only to interfaces that has vpc orphan-port suspend command configured. Other orphan ports may not delay bringing up devices.

### Procedure

	Command or Action	Purpose
<b>Step 1</b>	<b>configure terminal</b>	Enters global configuration mode.
<b>Step 2</b>	<b>switch(config) # vpc domain &lt;domain&gt;</b>	Configure the VPC domain number.
<b>Step 3</b>	<b>switch(config) # peer-switch</b>	Define the peer switch.
<b>Step 4</b>	<b>switch(config) # show vpc peer-keepalive</b>	Displays information about the peer keepalive messages
<b>Step 5</b>	<b>switch(config) # delay restore { time }</b>	Number of seconds to delay bringing up the restored vPC peer device. The range is from 1 to 3600.
<b>Step 6</b>	<b>switch(config) # peer-gateway</b>	To enable Layer 3 forwarding for packets destined to the gateway MAC address of the virtual Port Channel (vPC), use the peer-gateway command. To disable Layer 3 forwarding packets, use the no form of this command.
<b>Step 7</b>	<b>switch(config) # delay restore orphan-port</b>	Number of seconds to delay bringing up the restored device's orphan port

## Configuring the vPC Peer Switch

You can configure the Cisco Nexus 3550-T Series device to make a pair of vPC devices appear as a single STP root in the Layer 2 topology.

### Configuring a Pure vPC Peer Switch Topology

You can configure a pure vPC peer switch topology by using the peer-switch command and then setting the best possible (lowest) spanning tree bridge priority value.

**Before you begin**

Ensure that you have enabled the vPC feature.



**Note** When using a non-VPC dedicated trunk link between the VPC peers, the non-VPC VLANs should have a different global priority on the peers to prevent STP from blocking the VLANs.

**Procedure**

	<b>Command or Action</b>	<b>Purpose</b>
<b>Step 1</b>	<b>configure terminal</b> <b>Example:</b> <pre>switch# configure terminal switch(config)#</pre>	Enters global configuration mode.
<b>Step 2</b>	<b>vpc domain <i>domain-id</i> [shut   no shut]</b> <b>Example:</b> <pre>switch(config)# vpc domain 5 switch(config-vpc-domain)#</pre>	Enters the vPC domain number that you want to configure, and enters vpc-domain configuration mode.
<b>Step 3</b>	<b>peer-switch</b> <b>Example:</b> <pre>switch(config-vpc-domain)# peer-switch</pre>	<p>Enables the vPC switch pair to appear as a single STP root in the Layer 2 topology.</p> <p>Use the <b>no</b> form of the command to disable the peer switch vPC topology.</p>
<b>Step 4</b>	<b>spanning-tree vlan <i>vlan-range</i> priority <i>value</i></b> <b>Example:</b> <pre>switch(config)# spanning-tree vlan 1 priority 8192</pre>	Configures the bridge priority of the VLAN. Valid values are multiples of 4096. The default value is 32768.
<b>Step 5</b>	<b>exit</b> <b>Example:</b> <pre>switch(config-vpc-domain)# exit switch#</pre>	Exits vpc-domain configuration mode.
<b>Step 6</b>	<b>show spanning-tree summary</b> <b>Example:</b> <pre>switch# show spanning-tree summary</pre>	(Optional) Displays a summary of the spanning tree port states including the vPC peer switch.
<b>Step 7</b>	<b>copy running-config startup-config</b> <b>Example:</b> <pre>switch# copy running-config startup-config</pre>	(Optional) Copies the running configuration to the startup configuration.

### Example

This example shows how to configure a pure vPC peer switch topology:

```
switch# configure terminal
Enter configuration commands, one per line. End with CNTL/Z.
switch(config)# vpc domain 5
switch(config-vpc-domain)# peer-switch

2010 Apr 28 14:44:44 switch %STP-2-VPC_PEERSWITCH_CONFIG_ENABLED: vPC peer-switch
configuration is enabled. Please make sure to configure spanning tree "bridge" priority as
per recommended guidelines to make vPC peer-switch operational.

switch(config-vpc-domain)# spanning-tree vlan 1 priority 8192
switch(config-vpc-domain)# exit
switch(config)#
```

## Configuring Hitless vPC Role Change

Complete these steps to enable hitless vPC role change.

### Before you begin

- • Ensure that the vPC feature is enabled.
- • Ensure that the vPC Peer-Link is up
- • Verify the role priority of devices

### Procedure

	Command or Action	Purpose
<b>Step 1</b>	<b>vpc role preempt</b> <b>Example:</b> switch# <b>vpc role preempt</b> switch(config)#	Enable hitless vPC role change.
<b>Step 2</b>	<b>show vpc role</b> <b>Example:</b> switch(config)# <b>show vpc role</b>	(Optional) Verify hitless vPC role change feature.

### Example

This example on how to configure hitless vPC role change:

```
switch# show vpc rolevPC Role status
-----
vPC role                : secondary
vPC system-mac          : 00:23:04:ee:be:01
vPC system-priority     : 32667
vPC local system-mac    : 8c:60:4f:03:84:41
```

```

vPC local role-priority      : 32668
vPC peer system-mac        : 8c:60:4f:03:84:43
vPC peer role-priority     : 32667

! Configure vPC hitless role change on the device!

switch(config)# vpc role preempt
! The following is an output from the show vpc role command after the
vPC hitless feature is configured
switch(config)# show vpc role
vPC Role status
-----
vPC role                    : primary
vPC system-mac             : 00:00:00:00:00:00
vPC system-priority       : 32667
vPC local system-mac      : 8c:60:4f:03:84:41
vPC local role-priority   : 32666
vPC peer system-mac       : 8c:60:4f:03:84:43
vPC peer role-priority    : 32667

switch(config)#

```

## Use Case Scenario for vPC Role Change

The hitless vPC role change feature can be used in the following scenarios:

- Role change request—When you want to change the roles of the peer devices in a vPC domain.
- Primary switch reload—When the devices comes up after a reload and roles are defined, you can use the hitless vPC role change feature to restore the roles. For example, after a reload if the primary device takes the role of operational secondary and the secondary device takes the role of primary operational, you can change the vPC peer roles to their original defined roles using the **vpc role preempt** command.



**Note** Always check the existing device role priority before switching vPC role.

- Dual-active recovery—In a dual-active recovery scenario, the vPC primary switch continues to be (operational) primary, but the vPC secondary switch becomes the targeted primary switch and keeps its vPC member ports up. You can use the vPC hitless feature and restore the device roles. After the Dual-active recovery, if one side is operational primary and the other side operational secondary, then you can use the **vpc role preempt** command to restore the device roles to be primary and secondary

## Verifying the vPC Configuration

To display vPC configuration information, perform one of the following tasks:

Command	Purpose
<b>show feature</b>	Displays whether the vPC is enabled or not.
<b>show vpc brief</b>	Displays brief information about the vPCs.
<b>show vpc consistency-parameters</b>	Displays the status of those parameters that must be consistent across all vPC interfaces.

Command	Purpose
<b>show running-config vpc</b>	Displays running configuration information for vPCs.
<b>show port-channel capacity</b>	Displays how many port channels are configured and how many are still available on the device.
<b>show vpc statistics</b>	Displays statistics about the vPCs.
<b>show vpc peer-keepalive</b>	Displays information about the peer-keepalive messages.
<b>show vpc role</b>	Displays the peer status, the role of the local device, the vPC system MAC address and system priority, and the MAC address and priority for the local vPC device.

## Monitoring vPCs

Use the **show vpc statistics** command to display vPC statistics.




---

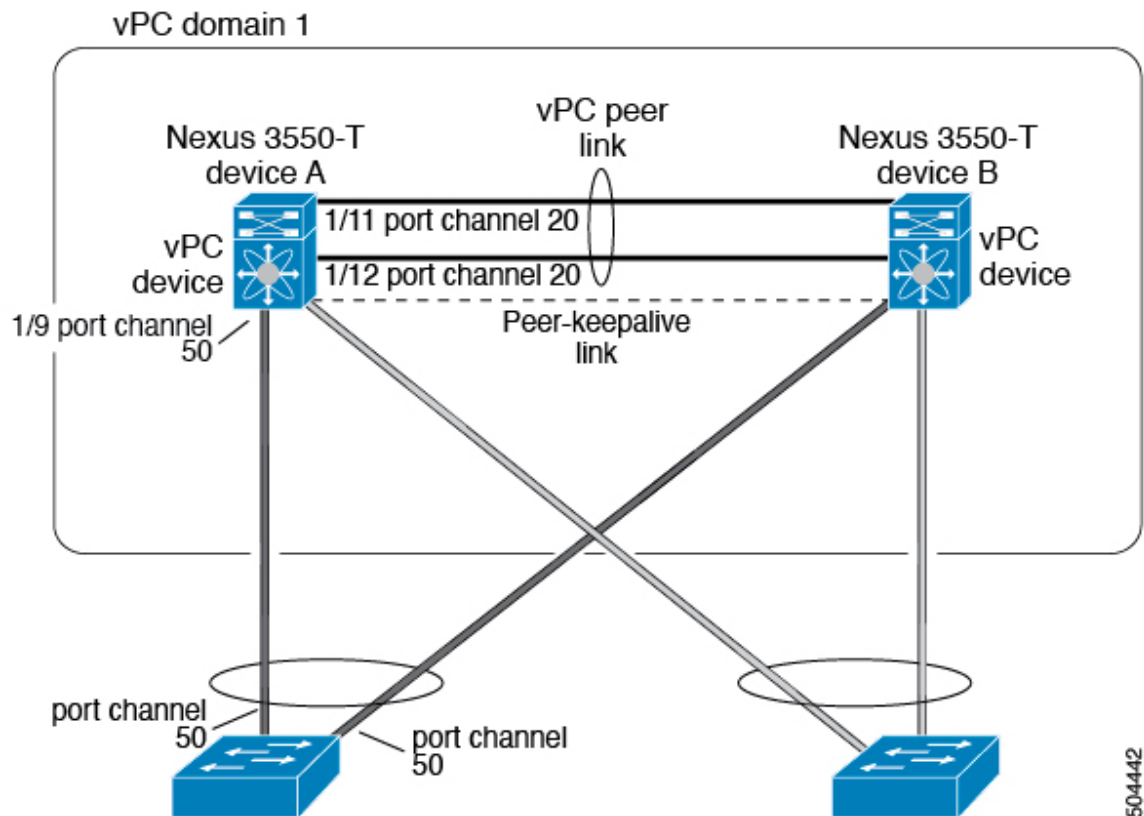
**Note** This command displays the vPC statistics only for the vPC peer device that you are working on.

---

## Configuration Examples for vPCs

The following example shows how to configure vPC on device A as shown in the figure:

Figure 16: vPC Configuration Example



504442

1. Enable vPC and LACP.

```
switch# configure terminal
switch(config)# feature vPC
switch(config)# feature lacp
```

2. (Optional) Configure one of the interfaces that you want to be a vPC Peer-Link in the dedicated port mode.

```
switch(config)# interface ethernet 1/7,
ethernet 1/3, ethernet 1/5. ethernet 1/7
switch(config-if)# shutdown
switch(config-if)# exit
switch(config)# interface ethernet 1/7

switch(config-if)# no shutdown
switch(config-if)# exit
switch(config)#
```

3. (Optional) Configure the second, redundant interface that you want to be a vPC Peer-Link in the dedicated port mode.

```
switch(config)# interface ethernet 1/2, ethernet 1/4,
ethernet 1/6. ethernet 1/8
switch(config-if)# shutdown
switch(config-if)# exit
switch(config)# interface ethernet 1/2
switch(config-if)# no shutdown
```

```
switch(config-if) # exit
switch(config) #
```

4. Configure the two interfaces (for redundancy) that you want to be in the vPC Peer-Link to be an active Layer 2 LACP port channel.

```
switch(config) # interface ethernet 1/1-2
switch(config-if) # switchport
switch(config-if) # switchport mode trunk
switch(config-if) # switchport trunk allowed vlan 1-50
switch(config-if) # switchport trunk native vlan 20
switch(config-if) # channel-group 20 mode active
switch(config-if) # exit
```

5. Create and enable the VLANs.

```
switch(config) # vlan 1-50
switch(config-vlan) # no shutdown
switch(config-vlan) # exit
```

6. Create a separate VRF for the vPC peer-keepalive link and add a Layer 3 interface to that VRF.

```
switch(config) # vrf context pkal
switch(config-vrf) # exit
switch(config) # interface ethernet 1/20
switch(config-if) # vrf member pkal
switch(config-if) # ip address 172.23.145.218/24
switch(config-if) # no shutdown
switch(config-if) # exit
```

7. Create the vPC domain and add the vPC peer-keepalive link.

```
switch(config) # vpc domain 1
switch(config-vpc-domain) # peer-keepalive
  destination 172.23.145.217 source 172.23.145.218 vrf pkal
switch(config-vpc-domain) # exit
```

8. Configure the vPC vPC Peer-Link.

```
switch(config) # interface port-channel 20
switch(config-if) # switchport mode trunk
switch(config-if) # switchport trunk allowed vlan 1-50
switch(config-if) # vpc peer-link
switch(config-if) # exit
switch(config) #
```

9. Configure the interface for the port channel to the downstream device of the vPC.

```
switch(config) # interface ethernet 1/9
switch(config-if) # switchport mode trunk
switch(config-if) # allowed vlan 1-50
switch(config-if) # native vlan 20
switch(config-if) # channel-group 50 mode active
switch(config-if) # exit
switch(config) # interface port-channel 50
switch(config-if) # vpc 50
switch(config-if) # exit
switch(config) #
```

10. Save the configuration.

```
switch(config) # copy running-config startup-config
```





---

**Note** If you configure the port channel first, ensure that it is a Layer 2 port channel.

---

