



Cisco Provider Connectivity Assurance Sensor LX-S Hardware Installation Guide

First Published: 2024-06-28

Americas Headquarters

Cisco Systems, Inc.
170 West Tasman Drive
San Jose, CA 95134-1706
USA
<http://www.cisco.com>
Tel: 408 526-4000
800 553-NETS (6387)
Fax: 408 527-0883

THE SPECIFICATIONS AND INFORMATION REGARDING THE PRODUCTS IN THIS MANUAL ARE SUBJECT TO CHANGE WITHOUT NOTICE. ALL STATEMENTS, INFORMATION, AND RECOMMENDATIONS IN THIS MANUAL ARE BELIEVED TO BE ACCURATE BUT ARE PRESENTED WITHOUT WARRANTY OF ANY KIND, EXPRESS OR IMPLIED. USERS MUST TAKE FULL RESPONSIBILITY FOR THEIR APPLICATION OF ANY PRODUCTS.

THE SOFTWARE LICENSE AND LIMITED WARRANTY FOR THE ACCOMPANYING PRODUCT ARE SET FORTH IN THE INFORMATION PACKET THAT SHIPPED WITH THE PRODUCT AND ARE INCORPORATED HEREIN BY THIS REFERENCE. IF YOU ARE UNABLE TO LOCATE THE SOFTWARE LICENSE OR LIMITED WARRANTY, CONTACT YOUR CISCO REPRESENTATIVE FOR A COPY.

The following information is for FCC compliance of Class A devices: This equipment has been tested and found to comply with the limits for a Class A digital device, pursuant to part 15 of the FCC rules. These limits are designed to provide reasonable protection against harmful interference when the equipment is operated in a commercial environment. This equipment generates, uses, and can radiate radio-frequency energy and, if not installed and used in accordance with the instruction manual, may cause harmful interference to radio communications. Operation of this equipment in a residential area is likely to cause harmful interference, in which case users will be required to correct the interference at their own expense.

The following information is for FCC compliance of Class B devices: This equipment has been tested and found to comply with the limits for a Class B digital device, pursuant to part 15 of the FCC rules. These limits are designed to provide reasonable protection against harmful interference in a residential installation. This equipment generates, uses and can radiate radio frequency energy and, if not installed and used in accordance with the instructions, may cause harmful interference to radio communications. However, there is no guarantee that interference will not occur in a particular installation. If the equipment causes interference to radio or television reception, which can be determined by turning the equipment off and on, users are encouraged to try to correct the interference by using one or more of the following measures:

- Reorient or relocate the receiving antenna.
- Increase the separation between the equipment and receiver.
- Connect the equipment into an outlet on a circuit different from that to which the receiver is connected.
- Consult the dealer or an experienced radio/TV technician for help.

Modifications to this product not authorized by Cisco could void the FCC approval and negate your authority to operate the product.

The Cisco implementation of TCP header compression is an adaptation of a program developed by the University of California, Berkeley (UCB) as part of UCB's public domain version of the UNIX operating system. All rights reserved. Copyright © 1981, Regents of the University of California.

NOTWITHSTANDING ANY OTHER WARRANTY HEREIN, ALL DOCUMENT FILES AND SOFTWARE OF THESE SUPPLIERS ARE PROVIDED "AS IS" WITH ALL FAULTS. CISCO AND THE ABOVE-NAMED SUPPLIERS DISCLAIM ALL WARRANTIES, EXPRESSED OR IMPLIED, INCLUDING, WITHOUT LIMITATION, THOSE OF MERCHANTABILITY, FITNESS FOR A PARTICULAR PURPOSE AND NON-INFRINGEMENT OR ARISING FROM A COURSE OF DEALING, USAGE, OR TRADE PRACTICE.

IN NO EVENT SHALL CISCO OR ITS SUPPLIERS BE LIABLE FOR ANY INDIRECT, SPECIAL, CONSEQUENTIAL, OR INCIDENTAL DAMAGES, INCLUDING, WITHOUT LIMITATION, LOST PROFITS OR LOSS OR DAMAGE TO DATA ARISING OUT OF THE USE OR INABILITY TO USE THIS MANUAL, EVEN IF CISCO OR ITS SUPPLIERS HAVE BEEN ADVISED OF THE POSSIBILITY OF SUCH DAMAGES.

Any Internet Protocol (IP) addresses and phone numbers used in this document are not intended to be actual addresses and phone numbers. Any examples, command display output, network topology diagrams, and other figures included in the document are shown for illustrative purposes only. Any use of actual IP addresses or phone numbers in illustrative content is unintentional and coincidental.

All printed copies and duplicate soft copies of this document are considered uncontrolled. See the current online version for the latest version.

Cisco has more than 200 offices worldwide. Addresses and phone numbers are listed on the Cisco website at www.cisco.com/go/offices.

Cisco and the Cisco logo are trademarks or registered trademarks of Cisco and/or its affiliates in the U.S. and other countries. To view a list of Cisco trademarks, go to this URL: <https://www.cisco.com/c/en/us/about/legal/trademarks.html>. Third-party trademarks mentioned are the property of their respective owners. The use of the word partner does not imply a partnership relationship between Cisco and any other company. (1721R)

© 2024 Cisco Systems, Inc. All rights reserved.



CONTENTS

CHAPTER 1

Overview 1

- Features 1
- Package Contents 3
- Serial Number Locations 3
- Front Panel 3
- Front Panel LEDs 5
- Rear Panel 5
- Power Supply 6
- Hardware Specifications 6
- Product ID Numbers 7

CHAPTER 2

Installation Preparation 9

- Installation Warnings 9
- Maintain Safety with Electricity 11
- Prevent ESD Damage 11
- Power Supply Considerations 11
- Rack Configuration Considerations 12
- Safety Recommendations 12
- Site Considerations 13
- Site Environment 13

CHAPTER 3

Mount the Chassis 15

- Unpack and Inspect the Chassis 15
- Desktop-Mount the Chassis 16
- Wall-Mount the Chassis 16
- Rack-Mount the Chassis 19

Ground the Chassis 21

CHAPTER 4

Installation, Maintenance, and Upgrade 23

Power the Unit via DC Power Cable 23

Power the Unit via DC Terminal Block Adapter 24

Connect to the Network 26

Remove and Replace the Fans 26

Prepare for Fan Replacement 27

Replace the Fan 28

Optional Preventative Maintenance Fan Replacement 29

Fan Replacement Verification 30



CHAPTER 1

Overview

- [Features, on page 1](#)
- [Package Contents, on page 3](#)
- [Serial Number Locations, on page 3](#)
- [Front Panel, on page 3](#)
- [Front Panel LEDs, on page 5](#)
- [Rear Panel, on page 5](#)
- [Power Supply, on page 6](#)
- [Hardware Specifications, on page 6](#)
- [Product ID Numbers, on page 7](#)

Features

The Cisco[®] Provider Connectivity Assurance Sensor LX-S (formerly Accedian Skylight LX-S Performance Element) is a compact, 1 and 10 Gigabit Ethernet (1/10GE) platform with ultra-low-latency packet forwarding and jitter. Designed for high-availability applications requiring MEF-type service assurance, the Assurance Sensor LX-S is optimized for scalable service delivery and performance monitoring. Its design is ideal for deployment in space-constrained environments for mobile backhaul and business Ethernet applications.

The LX-S provides all the tools to establish, validate, and monitor Layer 2 and Layer 3 services in a single, small footprint. It is a flexible, scalable alternative to switches and routers when delivering resilient services over optical linear or ring topologies. Zero-touch provisioning and IPv4/IPv6 management support make the LX-S easy to deploy, manage, and secure.

Fully integrated with the Cisco Provider Connectivity Assurance platform, the LX-S supports service delivery automation, scalable metrics collection, and reporting—along with actionable insights delivery and machine learning for accelerated service roll-out and improved operational efficiencies.

Figure 1: Assurance Sensor LX-S



The following table lists the features of the Assurance Sensor LX-S.

Table 1: Assurance Sensor LX-S Features

Feature	Description
Form factor	1RU
Rack mount	Standard 19-inch (48.3 cm) or 23-inch (58.42 cm) rack
Airflow	Front to rear
Management ports	Built-in One RJ-45 connector (10M/100M/1GbE)
Traffic ports	Four SFP+ connectors (1G/10GbE)
Console port	One RJ-45 connector (RS-232)
Dry contact inputs	One RJ-45 connector (four dry contacts)
Fans	Two fans for front-to-rear cooling

The following table lists the regulation and standard compliance features of the Assurance Sensor LX-S.

Table 2: Regulation and Standard Compliance (Model: NODE2c)

Feature	Description
Safety	IEC 62368-1, EN IEC 62368-1, AS/NZS 62368.1, CSA/UL 62368-1, GB 4943.1, J62368-1, SASO-IEC 62368-1
EMC - Emission (Class A)	CISPR 32, EN 55032, FCC 47 CFR Part 15 Subpart B, ICES-003, AS/NZS CISPR 32, VCCI-CISPR 32, KN32

Feature	Description
EMC - Immunity	EN 55035, KN35
Telco	NEBS Level-3: GR-63, GR-1089
Enviro	RoHS: IEC 63000, EN IEC 63000

Package Contents

Package contents for the Assurance Sensor LX-S include the following:

- Assurance Sensor LX-S (1)
- Rubber feet (4)
- *Cisco Provider Connectivity Assurance Sensor LX-S*

This document contains URLs that point to the hardware installation guide, regulatory compliance and safety information guide, warranty, and licensing pages, and a QR code that points to the management center Documentation Portal.



Note The package can contain other ordering options.

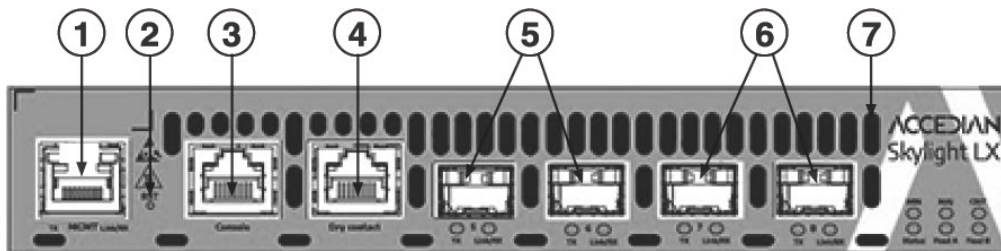
Serial Number Locations

The Serial Number (SN) and the Media Access Control (MAC) address are located at the bottom of the Assurance Sensor LX-S.

Front Panel

The following figure shows the front panel features of the Assurance Sensor LX-S. See [Front Panel LEDs, on page 5](#) for a description of the LEDs.

Figure 2: Font Panel

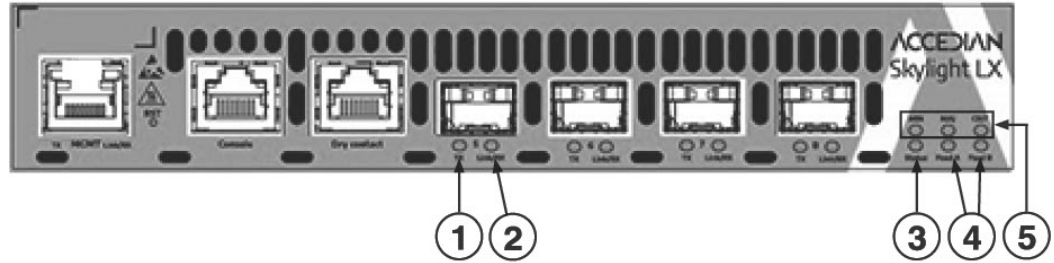


<p>1 Management port One RJ-45 connector (10M/100M/1GbE)</p>	<p>2 RST System reset button Note Press the RST button for more than five seconds to reset the unit to factory defaults.</p>
<p>3 Console port One RJ-45 connector (RS-232)</p>	<p>4 Dry contact inputs One RJ-45 connector (four dry contacts) Caution The Dry Contacts Interface is strictly Safety Extra Low Voltage (SELV).</p> <ul style="list-style-type: none"> • Pin #1—Ground 1 • Pin #2—Dry contact 1 • Pin #3—Ground 3 • Pin #4—Dry contact 2 • Pin #5—Ground 2 • Pin #6—Dry contact 3 • Pin #7—Ground 4 • Pin #8—Dry contact 4
<p>5 Traffic ports 5-6 Two SFP+ connectors (1G/10GbE)</p>	<p>6 Traffic ports 7-8 Two SFP+ connectors (1G/10GbE)</p>
<p>7 System ventilation holes Fresh air intake</p>	<p>—</p>

Front Panel LEDs

The following figure shows the front panel LEDs and describes their states.

Figure 3: Front Panel LEDs and Their States

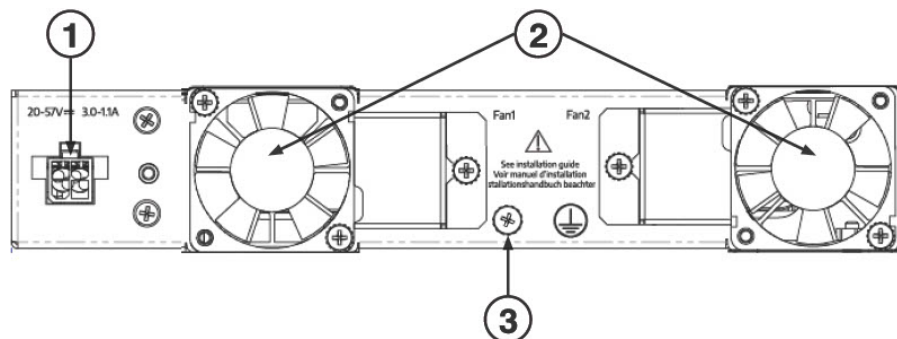


1	<p>TX LED</p> <ul style="list-style-type: none"> • Off—The port is not transmitting data. • Green, flashing—The port is transmitting data. 	2	<p>Link/RX LED</p> <ul style="list-style-type: none"> • Off—The link is inactive. • Green—The link is active. • Green, flashing—The port is receiving data.
3	<p>STATUS LED</p> <ul style="list-style-type: none"> • Green—Normal operation. • Green, flashing—The unit is booting up. 	4	<p>PWR LED (feed A/B)</p> <ul style="list-style-type: none"> • Off—The device is unpowered. • Green—The device is powered.
5	<p>MIN MAJ CRIT LEDs</p> <ul style="list-style-type: none"> • MIN Yellow—A minor alarm condition is present. • MAJ Red—A major alarm condition is present. • CRIT Red—A critical alarm condition is present. 		—

Rear Panel

The following figure shows the rear panel of the Assurance Sensor LX-S.

Figure 4: Rear Panel



1	DC power input 1x DC connector: Molex, 43810-0001	2	Hot-swappable fans Hot air outtake
3	Ground lug Protective ground point (lug type: 1x screw #6)		—

Power Supply

The following table lists the specifications for each power supply used in the Assurance Sensor LX-S.

Table 3: Power Specifications

Description	Specification
Input power ratings	20 to 57 V DC, 3.0 to 1.1 A _{Max}
Output power ratings	SFP+: 2.5 W _{Max} per port SFP: 2.0 W _{Max} per port
Power consumption	40W _{Nom} , 55W _{Max} (136 BTU/hr _{Nom} , 188 BTU/hr _{Max})

Hardware Specifications

The following table contains hardware specifications for the Assurance Sensor LX-S.

Dimensions (H x W x D)	7.9 x 1.5 x 10.4 inches (20.1 x 3.8 x 26.4 cm)
Weight	3.7 lb (1.7 kg)

Temperature	Operating: <ul style="list-style-type: none"> • Commercial: 32° to 122°F (0° to 50°C) • Hardened: -40° to 149°F (-40° to 65°C) Storage: -40° to 158°F (-40° to 70°C)
Humidity	Operating: 5 to 85% RH, noncondensing Storage: 5 to 95% RH, noncondensing
Altitude	Maximum: 6600 ft (2000 m), above sea level

Product ID Numbers

The following table lists the field-replaceable PIDs associated with the Assurance Sensor LX-S. If any internal components fail, you must get a return material authorization (RMA). See the [Cisco Returns Portal](#) for more information.

Table 4: Assurance Sensor LX-S PIDs

PID	Description
SKY-LXS-H-DD	4xSFP+ - Dual DC Power Supply - Hardened
SKY-LXS-Y-DD	4xSFP+ - SyncE - Dual DC Power Supply
SKY-LXS-DD	4xSFP+ - Dual DC Power Supply
SKY-LXS-HY-DD	4xSFP+ - SyncE - Dual DC Power Supply - Hardened



CHAPTER 2

Installation Preparation

- [Installation Warnings, on page 9](#)
- [Maintain Safety with Electricity, on page 11](#)
- [Prevent ESD Damage, on page 11](#)
- [Power Supply Considerations, on page 11](#)
- [Rack Configuration Considerations, on page 12](#)
- [Safety Recommendations, on page 12](#)
- [Site Considerations, on page 13](#)
- [Site Environment, on page 13](#)

Installation Warnings

Read the [Regulatory Compliance and Safety Information](#) document before installing the Cisco Provider Connectivity Assurance Sensor LX-S (formerly Skylight element: LX-S).



Caution Do *not* open the appliance except under direction from TAC.

Take note of the following warnings:



Warning **Statement 1071**—Warning Definition

IMPORTANT SAFETY INSTRUCTIONS

Before you work on any equipment, be aware of the hazards involved with electrical circuitry and be familiar with standard practices for preventing accidents. Read the installation instructions before using, installing, or connecting the system to the power source. Use the statement number at the beginning of each warning statement to locate its translation in the translated safety warnings for this device.

SAVE THESE INSTRUCTIONS



**Note** **Statement 407**—Japanese Safety Instruction

You are strongly advised to read the safety instruction before using the product.

<https://www.cisco.com/web/JP/techdoc/pldoc/pldoc.html>

When installing the product, use the provided or designated connection cables/power cables/AC adapters.

〈製品仕様における安全上の注意〉
www.cisco.com/web/JP/techdoc/index.html

接続ケーブル、電源コードセット、ACアダプタ、バッテリーなどの部品は、必ず添付品または指定品をご使用ください。添付品・指定品以外をご使用になると故障や動作不良、火災の原因となります。また、電源コードセットは弊社が指定する製品以外の電気機器には使用できないためご注意ください。

**Warning** **Statement 1005**—Circuit Breaker

This product relies on the building's installation for short-circuit (overcurrent) protection. To reduce risk of electric shock or fire, ensure that the protective device is rated not greater than: AC 20 A/DC 40 A

**Warning** **Statement 1073**—No User-Serviceable Parts

There are no serviceable parts inside. To avoid risk of electric shock, do not open.

**Warning** **Statement 1074**—Comply with Local and National Electrical Codes

To reduce risk of electric shock or fire, installation of the equipment must comply with local and national electrical codes.

**Warning** **Statement 1089**—Instructed and Skilled Person Definitions

An instructed person is someone who has been instructed and trained by a skilled person and takes the necessary precautions when working with equipment.

A skilled person or qualified personnel is someone who has training or experience in the equipment technology and understands potential hazards when working with equipment.

There are no serviceable parts inside. To avoid risk of electric shock, do not open.

**Warning** **Statement 1091**—Installation by an Instructed Person

Only an instructed person or skilled person should be allowed to install, replace, or service this equipment. See statement 1089 for the definition of an instructed or skilled person.

There are no serviceable parts inside. To avoid risk of electric shock, do not open.



Warning **Statement 9001—Product Disposal**

Ultimate disposal of this product should be handled according to all national laws and regulations.

Maintain Safety with Electricity



Warning Before working on a chassis, be sure the power cord is unplugged.

Read the [Regulatory and Compliance Information](#) document before installing the chassis.

Follow these guidelines when working on equipment powered by electricity:

- Do not work alone if potentially hazardous conditions exist anywhere in your work space.
- Never assume that power is disconnected; always check.
- Look carefully for possible hazards in your work area, such as moist floors, ungrounded power extension cables, frayed power cords, and missing safety grounds.
- Use the chassis within its marked electrical ratings and product usage instructions.

Prevent ESD Damage

ESD occurs when electronic components are improperly handled, and it can damage equipment and impair electrical circuitry, which can result in intermittent or complete failure of your equipment.

Always follow ESD-prevention procedures when removing and replacing components. Ensure that the chassis is electrically connected to an earth ground. Wear an ESD-preventive wrist strap, ensuring that it makes good skin contact. Connect the grounding clip to an unpainted surface of the chassis frame to safely ground ESD voltages. To properly guard against ESD damage and shocks, the wrist strap and cord must operate effectively. If no wrist strap is available, ground yourself by touching the metal part of the chassis.

For safety, periodically check the resistance value of the antistatic strap, which should be between one and 10 megohms.

Power Supply Considerations

See [Power Supply, on page 6](#) for more detailed information about the power supply in the chassis.

When installing the chassis, consider the following:

- Check the power at the site before installing the chassis to ensure that it is free of spikes and noise. Install a power conditioner, if necessary, to ensure proper voltages and power levels in the appliance-input voltage.
- Install proper grounding for the site to avoid damage from lightning and power surges.

- The chassis does not have a user-selectable operating range. Refer to the label on the chassis for the correct appliance input-power requirement.
- If you are using dual redundant (1+1) power supplies, we recommend that you use independent electrical circuits for each power supply.
- Install an uninterruptible power source for your site, if possible.

Rack Configuration Considerations

See [Rack-Mount the Chassis, on page 19](#) for the procedure for rack-mounting the chassis.

Consider the following when planning a rack configuration:

- Standard 19-inch (48.3 cm) 4-post EIA rack with mounting rails that conform to English universal hole spacing according to section 1 of ANSI/EIA-310-D-1992.
- The rack-mounting posts need to be 2 to 3.5 mm thick to work with the slide rail rack mounting.
- If you are mounting a chassis in an open rack, make sure that the rack frame does not block the intake or exhaust ports.
- If your rack includes closing front and rear doors, the doors must have 65 percent open perforated area evenly distributed from top to bottom to permit adequate airflow.
- Be sure enclosed racks have adequate ventilation. Make sure that the rack is not overly congested as each chassis generates heat. An enclosed rack should have louvered sides and a fan to provide cooling air.
- In an enclosed rack with a ventilation fan in the top, heat generated by equipment near the bottom of the rack can be drawn upward and into the intake ports of the equipment above it in the rack. Ensure that you provide adequate ventilation for equipment at the bottom of the rack.
- Baffles can help to isolate exhaust air from intake air, which also helps to draw cooling air through the chassis. The best placement of the baffles depends on the airflow patterns in the rack. Experiment with different arrangements to position the baffles effectively.

Safety Recommendations

Observe these safety guidelines:

- Keep the area clear and dust free before, during, and after installation.
- Keep tools away from walkways, where you and others might trip over them.
- Do not wear loose clothing or jewelry, such as earrings, bracelets, or chains that could get caught in the chassis.
- Wear safety glasses if you are working under any conditions that might be hazardous to your eyes.
- Do not perform any action that creates a potential hazard to people or makes the equipment unsafe.
- Never attempt to lift an object that is too heavy for one person.

Site Considerations

Considering the following helps you plan an acceptable operating environment for the chassis, and avoid environmentally-caused equipment failures.

- Electrical equipment generates heat. Ambient air temperature might not be adequate to cool equipment to acceptable operating temperatures without adequate circulation. Make sure that the room in which you operate your system has adequate air circulation.
- Always follow ESD prevention procedures to avoid damage to equipment. Damage from static discharge can cause immediate or intermittent equipment failure.

Site Environment

See [Hardware Specifications, on page 6](#) for information about physical specifications.

To avoid equipment failures and reduce the possibility of environmentally caused shutdowns, plan the site layout and equipment locations carefully. If you are currently experiencing shutdowns or unusually high error rates with your existing equipment, these considerations may help you isolate the cause of failures and prevent future problems.



CHAPTER 3

Mount the Chassis

- [Unpack and Inspect the Chassis, on page 15](#)
- [Desktop-Mount the Chassis, on page 16](#)
- [Wall-Mount the Chassis, on page 16](#)
- [Rack-Mount the Chassis, on page 19](#)
- [Ground the Chassis, on page 21](#)

Unpack and Inspect the Chassis



Note The chassis is thoroughly inspected before shipment. If any damage occurred during transportation or any items are missing, contact your customer service representative immediately. Keep the shipping container in case you need to send the chassis back due to damage.

See [Package Contents, on page 3](#) for a list of what shipped with the chassis.



Note Mounting kits are ordered separately.



Warning You must install the unit in a restricted access location in the following cases:

- If you are using a DC power connection and the ambient temperature is more than 50°C.
 - If you are using a centralized DC power connection.
-

Step 1 Remove the chassis from its cardboard container and save all packaging material.

Step 2 Compare the shipment to the equipment list provided by your customer service representative. Verify that you have all items.

Step 3 Check for damage and report any discrepancies or damage to your customer service representative. Have the following information ready:

- Invoice number of shipper (see the packing slip)
- Model and serial number of the damaged unit
- Description of damage
- Effect of damage on the installation

Desktop-Mount the Chassis

Safety Warnings

Take note of the following warnings:



Warning The unit must be installed in a restricted access location if either of the following applies:

- The unit is operating where the ambient temperature exceeds 122°F (50°C).
- A centralized DC power connection is being used.



Warning

- Do not place hands, fingers or foreign objects in any holes, insertion slots or gaps.
- To avoid damage to the equipment, keep objects clear of system ventilation inlets, outlets and system fans, if any, ensuring the air flow through the units is not obstructed, and that the fans rotate freely.
- Do not disassemble or alter the unit.
- The intra-building ports of the equipment or subassembly is suitable for connection to intra-building or unexposed wiring or cabling only. The intra-building ports of the equipment **MUST NOT** be metallically connected to interfaces that connect to the OSP or its wiring.

Attach the included rubber feet to the bottom of the unit for added stability when placing it on a desktop or other flat surface.

Wall-Mount the Chassis



Note Mounting kits are ordered separately.

Safety Warnings

Take note of the following warnings:

**Warning**

The unit must be installed in a restricted access location if either of the following applies:

- The unit is operating where the ambient temperature exceeds 50°C (122°F).
- A centralized DC power connection is being used.

**Warning**

- Do not place hands, fingers or foreign objects in any holes, insertion slots or gaps.
- To avoid damage to the equipment, keep objects clear of system ventilation inlets, outlets and system fans, if any, ensuring the air flow through the units is not obstructed, and that the fans rotate freely.
- Do not disassemble or alter the unit.
- The intra-building ports of the equipment or subassembly is suitable for connection to intra-building or unexposed wiring or cabling only. The intra-building ports of the equipment **MUST NOT** be metallically connected to interfaces that connect to the OSP or its wiring.

When mounting a unit on a wall, ensure that:

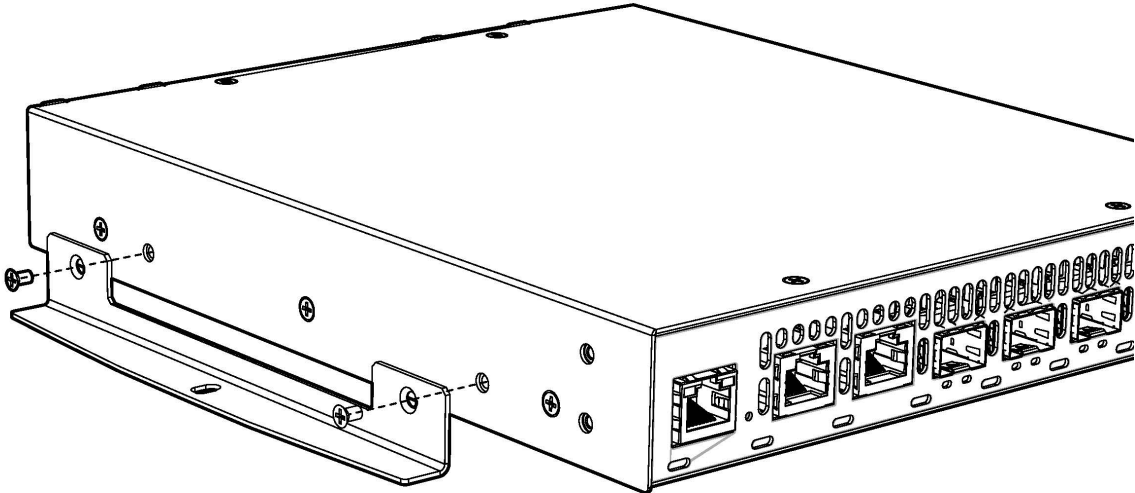
- The support surface and the fasteners you use must support at least 6 kg (13.2 lbs).
- Cable pull (accidental or otherwise) does not exceed the 2 kg (4.4 lbs) limit.

To mount the unit on a wall:

Step 1

Secure the Wallmount Kit to both sides of the unit using the provided screws.

Figure 5: Secure the Wallmount Kit



Step 2 Install the unit on the wall in the position shown below.

Figure 6: Wall Installation Position Option 1

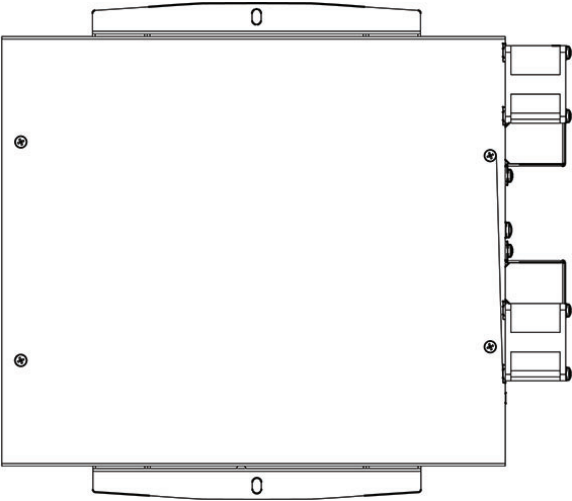
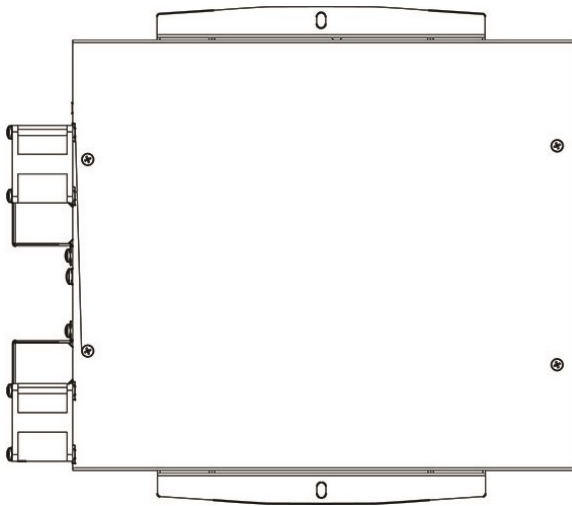


Figure 7: Wall Installation Position Option 2



Rack-Mount the Chassis



Note Mounting kits are ordered separately.

Safety Warnings

Take note of the following warnings:



Warning The unit must be installed in a restricted access location if either of the following applies:

- The unit is operating where the ambient temperature exceeds 50°C (122°F).
- A centralized DC power connection is being used.



Warning

- Do not place hands, fingers or foreign objects in any holes, insertion slots or gaps.
- To avoid damage to the equipment, keep objects clear of system ventilation inlets, outlets and system fans, if any, ensuring the air flow through the units is not obstructed, and that the fans rotate freely.
- Do not disassemble or alter the unit.
- The intra-building ports of the equipment or subassembly is suitable for connection to intra-building or unexposed wiring or cabling only. The intra-building ports of the equipment **MUST NOT** be metallically connected to interfaces that connect to the OSP or its wiring.

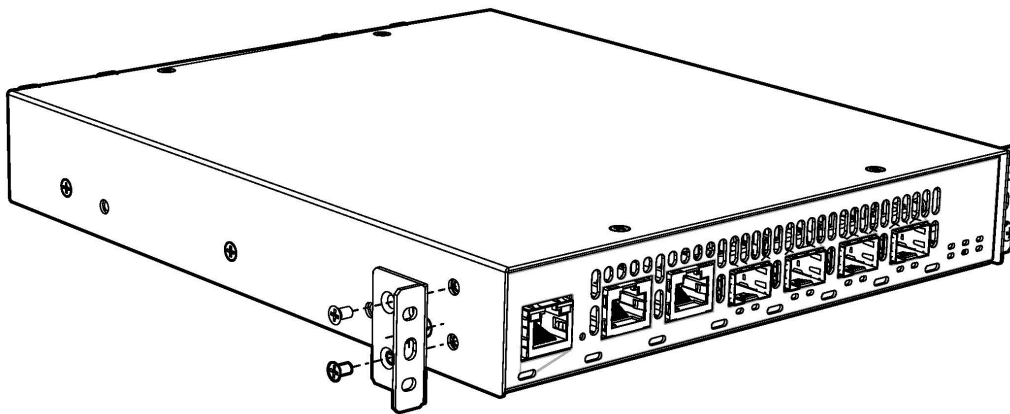


Tip Only the flush mounting options are NEBS compliant.

To conform to the NEBS Seismic Zone 4 requirements, the bracket must be secured, using screws specified by the rack manufacturer, to a NEBS Seismic Zone 4 compliant rack. Such screws are not provided with the bracket kit.

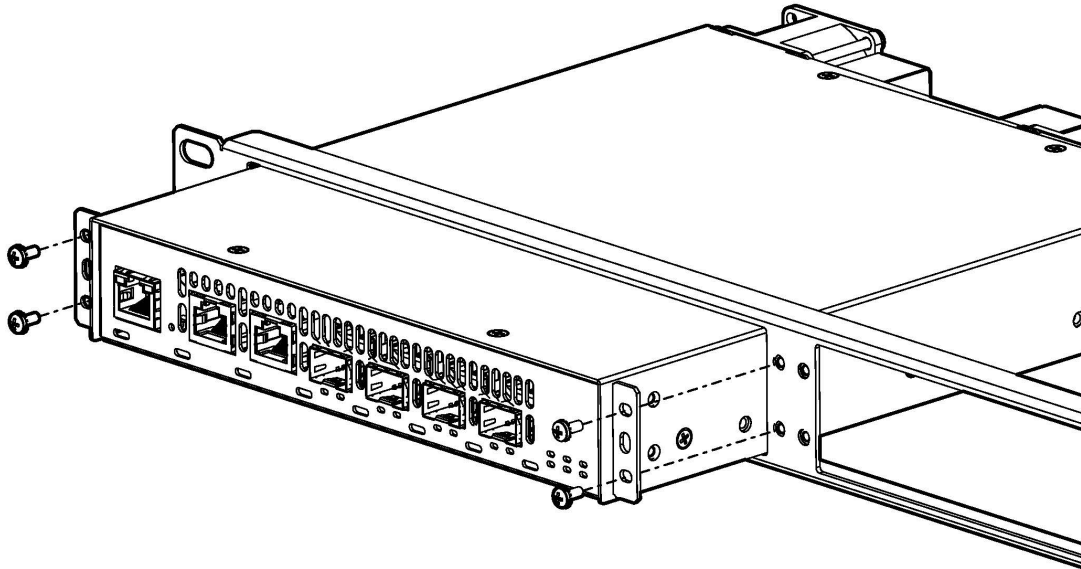
Step 1 Secure the L-shaped mounting bracket vertically to both sides of each unit using the provided screws.

Figure 8: Secure the L-shaped Mounting Brackets



Step 2 Carefully slide each unit into the rack mount bracket. Secure with screws. The rack mount bracket may provide up to two bays.

Figure 9: Slide Each Unit into the Rack Mount Bracket



Ground the Chassis

For safety reasons, connect the protective ground screw to a suitable grounding point before applying power.

Safety Warnings

Take note of the following warnings:



Warning

Statement 1101—Connected To Grounded Outlet

In the Scandinavian countries (Denmark, Finland, Iceland, Norway, and Sweden) the appliance must be connected to a grounded outlet.



Note

Applicable wire range: 2.5 to 6.0 mm² (14 to 10 AWG).



CHAPTER 4

Installation, Maintenance, and Upgrade

- [Power the Unit via DC Power Cable, on page 23](#)
- [Power the Unit via DC Terminal Block Adapter, on page 24](#)
- [Connect to the Network, on page 26](#)
- [Remove and Replace the Fans, on page 26](#)

Power the Unit via DC Power Cable

Safety Warnings

Take note of the following warnings:



Warning

- This unit is designed for Common Bonding Network (CBN) installations only.
- This unit is suitable for installation in network telecommunication facilities and where the National Electrical Code (NEC) applies.
- The DC Battery Return (BR) input terminals of the unit are not connected to the equipment frame or grounding means of the equipment and must be configured as isolated DC Return (DC-I) in compliance with GR-1089-CORE requirements.



Warning

DC power connections:

- Ensure the unit power sources have been turned OFF before servicing.
- An approved external overcurrent protection device must be installed in the supply lines and be readily accessible to act as a disconnect device. The overcurrent protection device must disconnect all poles simultaneously and be rated 7 A Max (Quick/Fast).

To power the unit via the power cable:

Before you begin

- Make sure that the chassis ground is connected on the chassis before you begin installing the DC power supply. See [Ground the Chassis, on page 21](#) for the procedure.



Note Powering options are ordered separately.

Step 1 Establish the proper connections, between the cable end and the power sources.

Step 2 Connect the DC connector to the back of the Module.

Figure 10: Connect the DC Connector

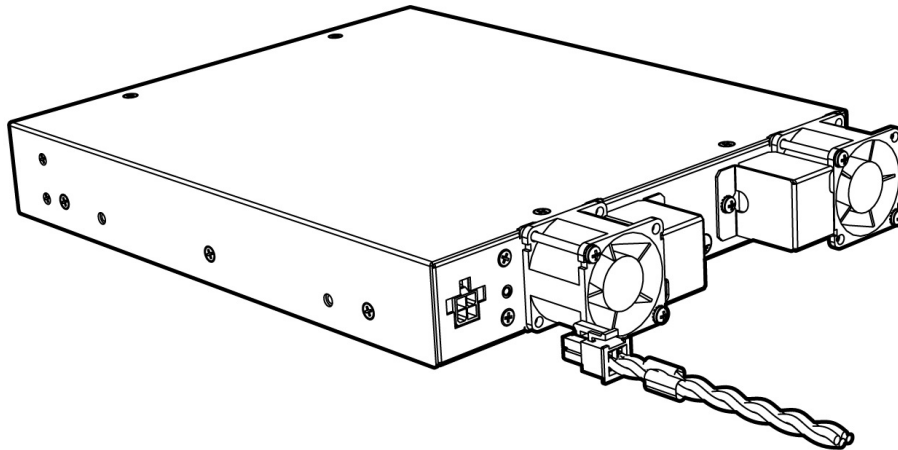
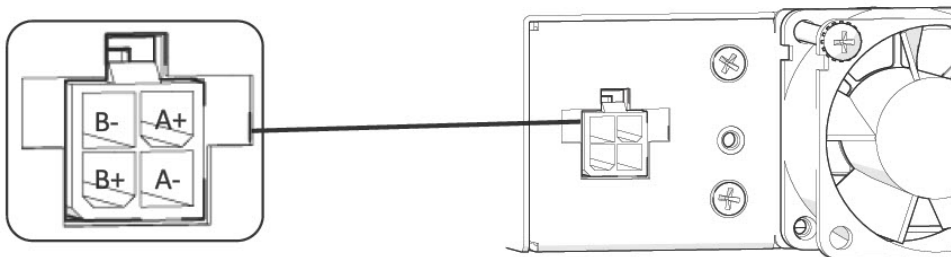


Figure 11: Input Power Feed Polarity



Power the Unit via DC Terminal Block Adapter

Safety Warnings

Take note of the following warnings:

**Warning**

- This unit is designed for Common Bonding Network (CBN) installations only.
- This unit is suitable for installation in network telecommunication facilities and where the National Electrical Code (NEC) applies.
- The DC Battery Return (BR) input terminals of the unit are not connected to the equipment frame or grounding means of the equipment and must be configured as isolated DC Return (DC-I) in compliance with GR-1089-CORE requirements.

**Warning**

DC power connections:

- Ensure the unit power sources have been turned OFF before servicing.
- An approved external overcurrent protection device must be installed in the supply lines and be readily accessible to act as a disconnect device. The overcurrent protection device must disconnect all poles simultaneously and be rated 7 A Max (Quick/Fast).

To power the unit via the terminal block adapter:

Before you begin

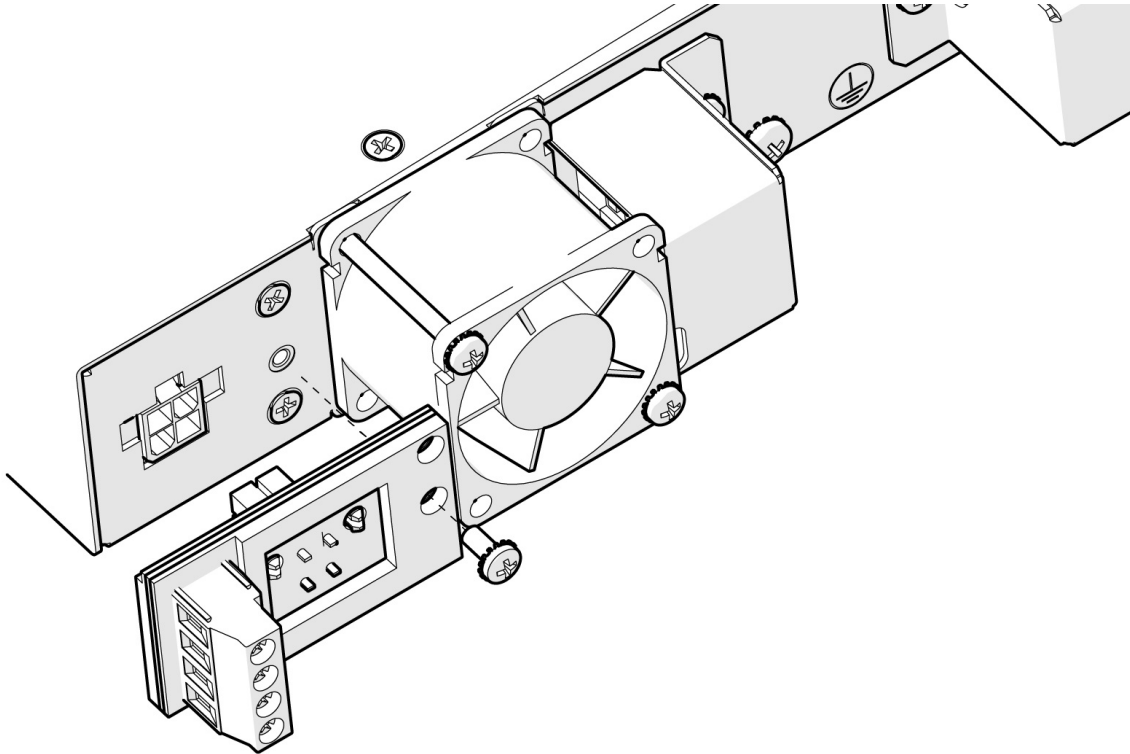
- Make sure that the chassis ground is connected on the chassis before you begin installing the DC power supply. See [Ground the Chassis, on page 21](#) for the procedure.

**Note**

Powering options are ordered separately.

Step 1 Fasten the Terminal Block Adapter to the back of the unit.

Figure 12: Fasten the Terminal Block Adapter



Step 2 Establish the proper connections between the wires and the power sources.

Step 3 Connect wires to the terminal block connector of the adapter.

Note Applicable wire range: 0.82 to 2.1 mm² (18 to 14 AWG).

Connect to the Network

Establish the Ethernet connections to the unit by plugging the appropriate media types to the proper ports of the unit (see the numbered diagram of the [Front Panel, on page 3](#)).



Note For more information, refer to the User Material.

Remove and Replace the Fans

This procedure describes how to replace a fan in the event of a fan failure. The fan replacement kit SKY-FANKIT-LT contains two fans.

If a fan failure is reported by the Cisco Provider Connectivity Assurance Sensor LX-S (formerly Skylight element: LX-S) fan monitoring circuit, you must replace the fan. However, as a preventative measure, it is recommended to replace **both** fans in the event of a failure.



Caution The fans must be replaced one at a time.



Note The replacement of the fans should be carefully planned, as the procedure must be completed within five minutes to reduce the thermal impact on the unit.

Safety Warnings

The following are safety guidelines that you must follow for personal safety and to operate the units correctly. All personnel working directly on the units must be trained, authorized, and qualified to perform the tasks described herein. You must read and follow these guidelines before you begin.

- Power to the unit remains on throughout this process.
- To avoid personal injury, equipment damage and/or service interruptions, keep your fingers away from the fan's moving parts.
- This equipment is sensitive to electrostatic discharge (ESD). When handling, ensure you wear a properly functioning heel grounder and/or an anti-static wrist strap or another personal-grounding device.
- Incorrect handling may void warranty.

Take note of the following warnings:



Warning **Statement 1073**—No User-Serviceable Parts

There are no serviceable parts inside. To avoid risk of electric shock, do not open.



Warning **Statement 1093**—Avoid Sharp Edges

Risk of personal injury. Avoid sharp edges when installing or removing replaceable units.



Prepare for Fan Replacement

To prepare for fan replacement:

Step 1 Log in to the unit where the fan failure occurred.

Step 2 Identify which fan on the unit has malfunctioned:

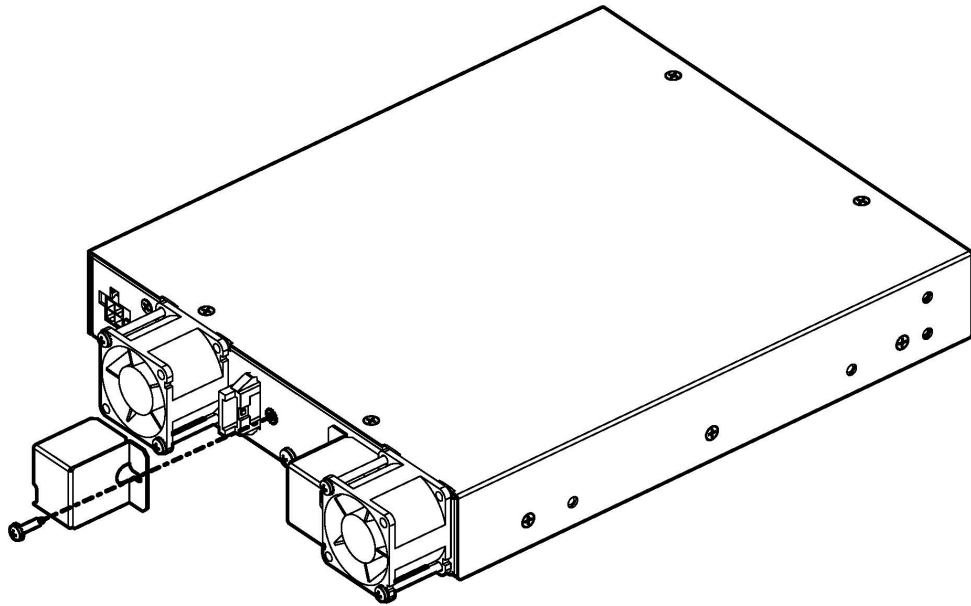
- a) Access the page **Show ▶ Alarm** to view alarm status.
- b) Look in the list of alarms for either Fan 1 or Fan 2 failures. The number of the failure corresponds to the defective fan.

Replace the Fan

To replace the fan:

Step 1 Loosen the screw that holds the fan cable cover in place, then remove the fan cable cover.

Figure 13: Remove the Fan Cable Cover



Step 2 Disconnect the cable that connects the fan to the fan connector from the unit's chassis.

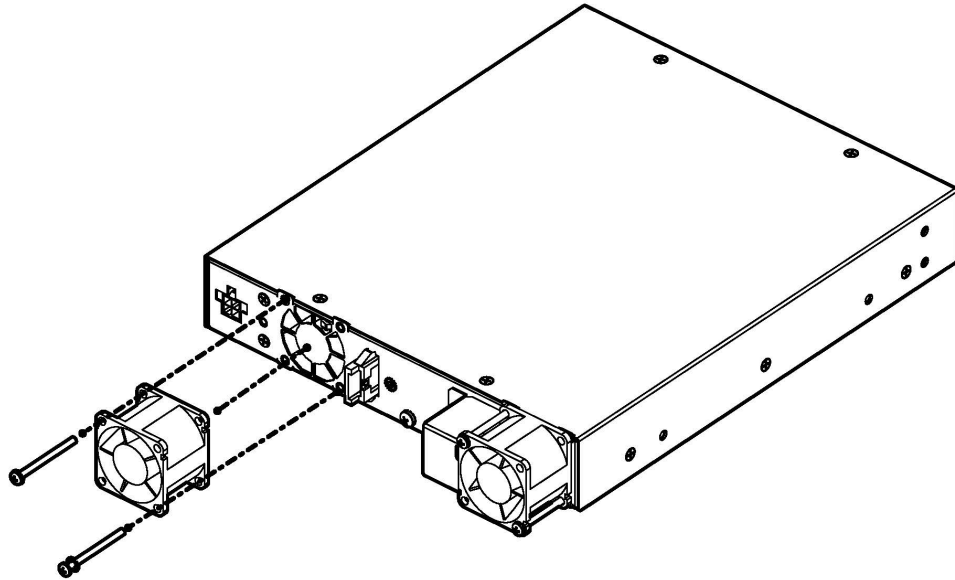
Note You can pull the wire while the retaining clip is depressed.

Step 3 Remove the two screws holding the fan to the unit's chassis.

Note Keep the two screws aside.

Step 4 Remove the defective fan, as identified in [Prepare for Fan Replacement, on page 27](#).

Figure 14: Remove the Fan



Step 5 Install the new fan in place.

Step 6 Secure the fan to the unit's chassis using the two screws kept aside.

Step 7 Reconnect the fan cables.

Step 8 Install the fan cable cover, securing it in place with the screw.

Step 9 Ensure that the fan is fully functional by following the instructions in [Fan Replacement Verification, on page 30](#).

Step 10 (Optional) To replace the other fan as a preventative measure, continue with [Optional Preventative Maintenance Fan Replacement, on page 29](#).

Optional Preventative Maintenance Fan Replacement

To perform an optional fan preventive maintenance:

Step 1 Disconnect the cable that connects the other fan to the fan connector from the unit's chassis.

Note You can pull the wire while the retaining clip is depressed.

Step 2 Remove the two screws holding the fan to the unit's chassis.

Note Keep the two screws aside.

Step 3 Remove the fan to be replaced as a preventative measure.

Step 4 Install the new fan in place.

Step 5 Secure the fan to the unit's chassis using the two screws kept aside.

Step 6 Reconnect the fan cables.

Step 7 Install the fan cable cover, securing it in place with the screw.

Step 8 Ensure that the fan is fully functional by following the instructions in [Fan Replacement Verification, on page 30](#).

Fan Replacement Verification

To verify the fan replacement:

Step 1 Log in to the unit where the fan failure occurred.

Step 2 Access the page **Show ▶ Alarm** and confirm that the fan failure alarms are no longer listed in the grid.
