



Overview

- [Features, on page 1](#)
- [Package Contents, on page 3](#)
- [Serial Number Locations, on page 3](#)
- [Front Panel, on page 3](#)
- [Front Panel LEDs, on page 6](#)
- [Rear Panel, on page 7](#)
- [Power Supply, on page 8](#)
- [Hardware Specifications, on page 9](#)
- [Product ID Numbers, on page 9](#)
- [Power Cord Specifications, on page 10](#)

Features

The Cisco[®] Provider Connectivity Assurance Sensors GT and GT-S (formerly Accedian Skylight GT and GT-S Performance Elements) are compact, 1-gigabit Ethernet platforms with ultra-low latency packet forwarding and jitter. Designed for high-availability applications requiring Metro Ethernet Forum (MEF)-type service assurance, the Assurance Sensor GT/GT-S is optimized for scalable service delivery and high-precision performance monitoring. Mobile operators deploying Carrier Ethernet backhaul to macro cell sites value the Assurance Sensor's combined networking and standards-based QoS monitoring capabilities. Business Ethernet service providers value the unit's exceptional feature set, reliability, versatile power options, and performance monitoring, which also make it the perfect fit for small cell deployments.

Assurance Sensors GT and GT-S provide all the tools to establish, validate, and monitor Layer 2 and Layer 3 services in a single, small footprint. This is a flexible, scalable alternative to switches and routers when delivering resilient services over optical linear or G.8032 ring topologies. Zero-touch provisioning and IPv4/IPv6 management make these performance elements easy to deploy, manage, and secure.

Fully integrated with Cisco Provider Connectivity Assurance platform, the GT/GT-S supports service delivery automation, scalable metrics collection, and reporting—along with actionable insights and machine learning for accelerated service rollout and improved operational efficiencies.

The GT/GT-S interoperates with other Provider Connectivity Assurance Sensors to deliver a scalable end-to-end and core-to-edge performance-assured networking solution tailored to your applications.

Figure 1: Cisco Provider Connectivity Assurance Sensor GT



The following table lists the features of the Cisco Provider Connectivity Assurance Sensor GT.

Table 1: Cisco Provider Connectivity Assurance Sensor GT Features

Feature	Description
Form factor	1RU
Rack mount	Standard 19-inch (48.3 cm) or 23-in (58.42 cm) rack
Airflow	Front to rear
Management port	Built-in One RJ-45 connector (10/100BASE-T)
Traffic ports	GT: two fixed SFP connectors, four fixed RJ-45 connectors GT-S: four fixed SFP connectors
Serial console port	One RJ-45 serial connector (RS-232 or two dry contacts)
Fans	Two fans for front-to-rear cooling

The following table lists the regulation and standard compliance features of the Cisco Provider Connectivity Assurance Sensor GT.

Table 2: Regulation and Standard Compliance (Model: NID4)

Feature	Description
Safety	IEC 62368-1, EN IEC 62368-1, AS/NZS 62368.1, CSA/UL 62368-1, GB 4943.1, J62368-1, SASO-IEC 62368-1
EMC - Emission (Class A)	CISPR 32, IEC 61000-3-2, IEC 61000-3-3, EN 55032, EN 61000-3-2, EN 61000-3-3, FCC Part 15 (CFR 47), ICES-003, AS/NZS CISPR 32, VCCI-CISPR 32, KS C 9832

Feature	Description
EMC - Immunity	CISPR 35, EN 55035, KS C 9835
Telco	NEBS Level-3: GR-63, GR-1089
RoHS	IEC 63000, EN IEC 63000

Package Contents

Package contents for the Cisco Provider Connectivity Assurance Sensor GT include the following:

- Assurance Sensor GT (1)
- Rubber feet (4)
- *Cisco Provider Connectivity Assurance Sensor GT*

This document contains URLs that point to the hardware installation guide, regulatory compliance and safety information guide, warranty, and licensing pages, and a QR code that points to the management center Documentation Portal.



Note The package can contain other ordering options.

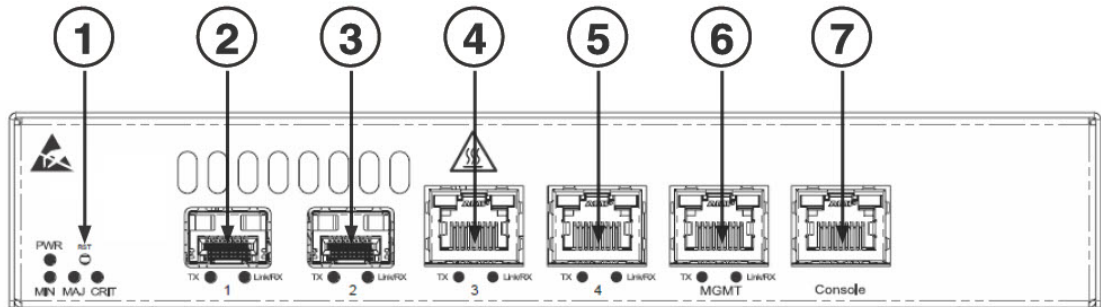
Serial Number Locations

The Serial Number (SN) and the Media Access Control (MAC) address are located at the bottom of the Cisco Provider Connectivity Assurance Sensor GT.

Front Panel

The following figure shows the front panel features of the Cisco Provider Connectivity Assurance Sensor GT. See [Front Panel LEDs, on page 6](#) for a description of the LEDs.

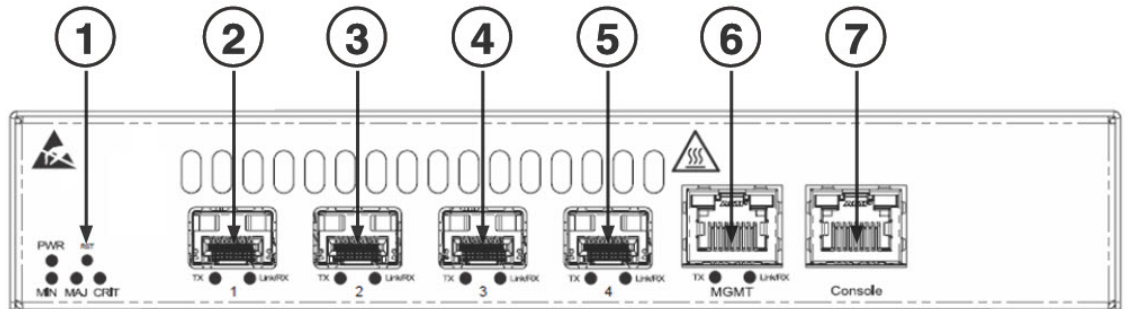
Figure 2: Front Panel - Assurance Sensor GT



<p>1 RST System reset button</p> <p>Note Press the RST button for more than five seconds to reset the unit to factory defaults.</p> <p>Warning Service-affecting</p>	<p>2 Traffic port 1 SFP connector (10/100/1000BASE-X)</p>
<p>3 Traffic port 2 SFP connector (10/100/1000BASE-X)</p>	<p>4 Traffic port 3 RJ-45 connector (10/100/1000BASE-T)</p>
<p>5 Traffic port 4 RJ-45 connector (10/100/1000BASE-T)</p>	<p>6 Management port RJ-45 connector (10/100BASE-T)</p>
<p>7 Console / dry contacts RJ-45 connector (RS-232 or two dry contacts) See <i>Dry-contact Inputs</i> for information.</p> <p>Note Cannot be used at the same time.</p> <p>Caution The Dry Contacts Interface is strictly Safety Extra Low Voltage (SELV).</p>	<p>—</p>

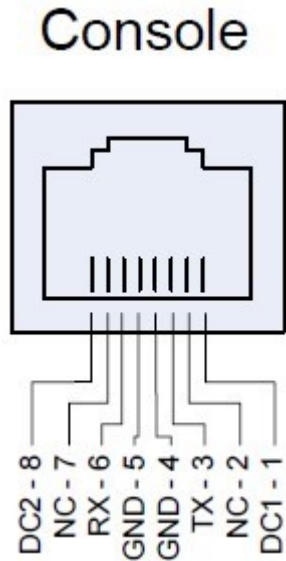
The following figure shows the front panel features of the Cisco Provider Connectivity Assurance Sensor GT-S. See [Front Panel LEDs, on page 6](#) for a description of the LEDs.

Figure 3: Front Panel - Assurance Sensor GT-S



<p>1 RST System reset button</p> <p>Note Press the RST button for more than five seconds to reset the unit to factory defaults.</p> <p>Warning Service-affecting</p>	<p>2 Traffic port 1 SFP connector (10/100/1000BASE-X)</p>
<p>3 Traffic port 2 SFP connector (10/100/1000BASE-X)</p>	<p>4 Traffic port 3 SFP connector (10/100/1000BASE-X)</p>
<p>5 Traffic port 4 SFP connector (10/100/1000BASE-X)</p>	<p>6 Management port RJ-45 connector (10/100BASE-T)</p>
<p>7 Console / dry contacts RJ-45 connector (RS-232 or two dry contacts) See <i>Dry-contact Inputs</i> for information.</p> <p>Note Cannot be used at the same time.</p> <p>Caution The Dry Contacts Interface is strictly Safety Extra Low Voltage (SELV).</p>	<p>—</p>

Figure 4: Dry-contact Inputs

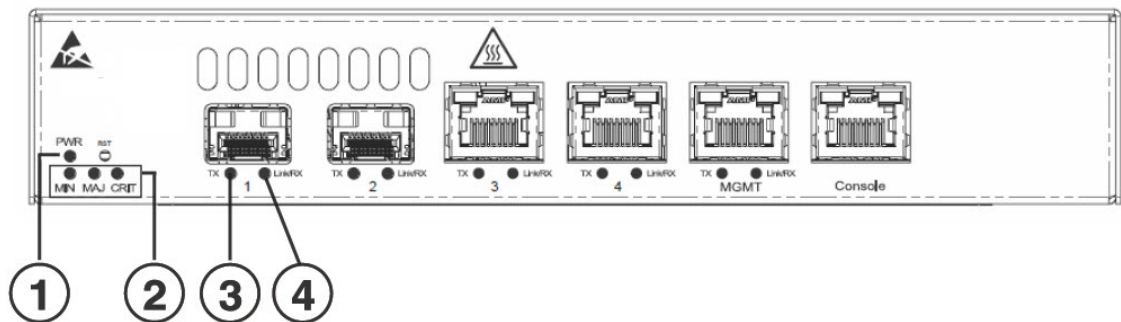


1	Dry contact 1	2	Not connected
3	TX data	4	Ground
5	Ground	6	RX data
7	Not connected	8	Dry contact 2

Front Panel LEDs

The following figure shows the front panel LEDs and describes their states.

Figure 5: Front Panel LEDs and Their States



1	PWR LED <ul style="list-style-type: none"> • Off—The device is unpowered. • Green—The device is powered. 	2	MIN MAJ CRIT LEDs <ul style="list-style-type: none"> • MIN Yellow—A minor alarm condition is present. • MAJ Red—A major alarm condition is present. • CRIT Red—A critical alarm condition is present.
3	TX LED <ul style="list-style-type: none"> • Off—The port is not transmitting data. • Green, flashing—The port is transmitting data. 	4	Link/RX LED <ul style="list-style-type: none"> • Off—The link is inactive. • Green—The link is active. • Green, flashing—The port is receiving data.

Rear Panel

The Cisco Provider Connectivity Assurance Sensor GT can be ordered in these rear panel configurations:

- Single AC Power
- Dual AC Power
- DC Power

The following figure shows the rear panel of the Cisco Provider Connectivity Assurance Sensor GT.

Figure 6: Single AC Power

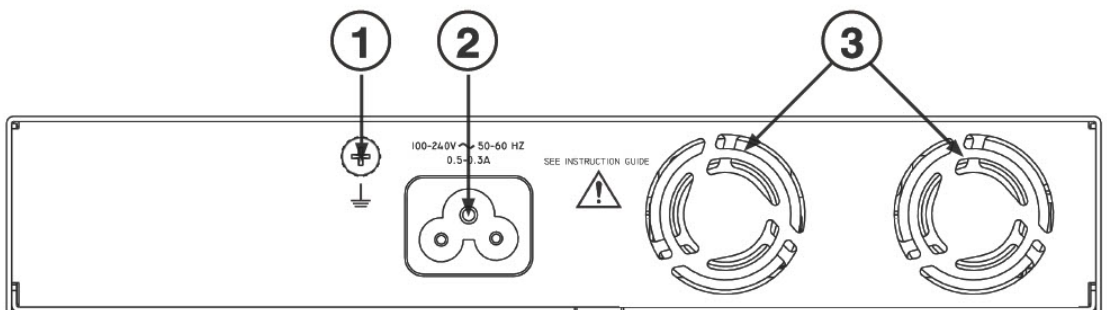


Figure 7: Dual AC Power

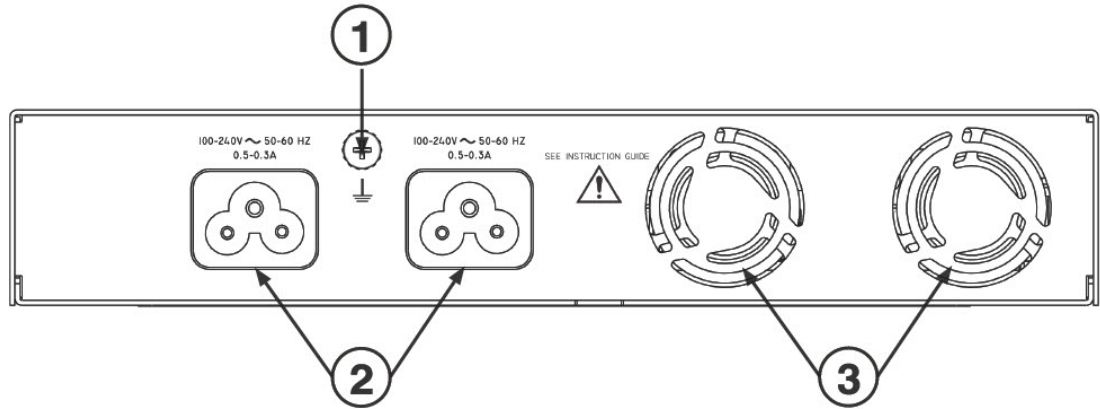
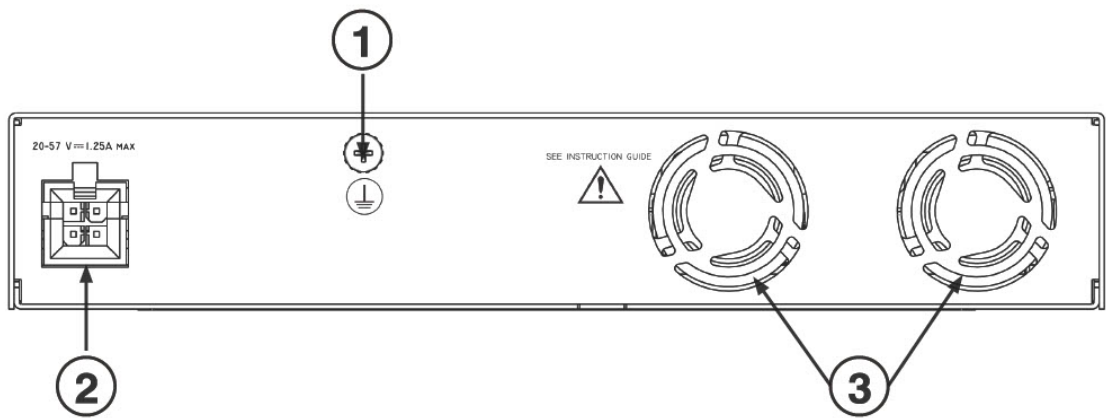


Figure 8: DC Power



1	Ground lug Unit protective or functional ground point	2	Power input(s) AC (single or dual) or DC (dual feeds)
3	System fans Airflow outtake		—

Power Supply

The following table lists the specifications for each power supply used in the Cisco Provider Connectivity Assurance Sensor GT.

Table 3: Power Specifications

Description	Specification
Input power ratings	AC: 100 to 240 V AC, 50 to 60 Hz, 0.5 to 0.3 A _{Max} DC: 20 to 57 V DC, 1.25 A _{Max}
Output power ratings	SFP: 1.5 W _{Max} per port, up to 5 W _{Max} total for all the ports
Power consumption	22 W _{Max} (75 BTU/hr _{Max})

Hardware Specifications

The following table contains hardware specifications for the Cisco Provider Connectivity Assurance Sensor GT.

Dimensions (H x W x D)	1.5 x 7.9 x 6.8 inches (3.8 x 20.0 x 17.2 cm)
Weight	3 lb (1.35 kg)
Temperature	Operating: <ul style="list-style-type: none"> • Commercial: 32 to 122°F (0 to 50°C) • Hardened: -40 to 149°F (-40 to 65°C) Storage: -40 to 158°F (-40 to 70°C)
Humidity	Operating: 5 to 85% RH, noncondensing Storage: 5 to 95% RH, noncondensing
Altitude	Maximum: 6600 ft (2000 m), above sea level

Product ID Numbers

The following table lists the field-replaceable PIDs associated with the Cisco Provider Connectivity Assurance Sensor GT. If any internal components fail, you must get a return material authorization (RMA). See the [Cisco Returns Portal](#) for more information.

Table 4: Cisco Provider Connectivity Assurance Sensor GT PIDs

PID	Description
SKY-GT-A	2xRJ-45 + 2xSFP - Single Internal AC Power Supply
SKY-GT-AA	2xRJ-45 + 2xSFP - Dual Internal AC Power Supply
SKY-GT-H-DD	2xRJ-45 + 2xSFP - Dual DC Power Supply - Hardened

PID	Description
SKY-GTS-A	4xSFP - Single Internal AC Power Supply
SKY-GTS-AA	4xSFP - Dual Internal AC Power Supply
SKY-GTS-H-DD	4xSFP - Dual DC Power Supply - Hardened

Power Cord Specifications

Each AC power input requires a separate power cord. Power cords are available for connection to the Cisco Provider Connectivity Assurance Sensor GT.

If you do not order the optional power cord with the system, you are responsible for selecting the appropriate power cord for the product. Using an incompatible power cord with this product may result in electrical safety hazard.

PID	Description
SKY-PC-NA	North America - C5 termination
SKY-PC-EUR	Europe – C5 termination
SKY-PC-UK	United Kingdom – C5 termination
SKY-PC-JPN	Japan – C5 termination
SKY-PC-IND	India – C5 termination
SKY-PC-SIN	Singapore – C5 termination
SKY-PC-AUS	Australia / New Zeland – C5 termination
SKY-PC-SWI	Switzerland – C5 termination
SKY-PC-ITA	Italy – C5 termination
SKY-PC-ISL	Israel – C5 termination
SKY-PC-TWN	Taiwan – C5 termination
SKY-PC-ARG	Argentina – C5 termination
SKY-PC-BRZ	Brazil – C5 termination
SKY-PC-C20	C20 – C5 termination
SKY-PC-C14	C14 – C5 termination
SKY-PC-CHN	China – C5 termination



Note Only the approved power cords for the Cisco Provider Connectivity Assurance Sensor GT are supported.
