

Configure a Public Server with Cisco ASDM

Contents

[Introduction](#)

[Prerequisites](#)

[Requirements](#)

[Components Used](#)

[Conventions](#)

[Background Information](#)

[Configure](#)

[Network Diagram](#)

[ASDM Configuration](#)

[Support for Static PAT](#)

[More explanation about CLI](#)

[Verify](#)

[Related Information](#)

Introduction

This document discuss on how to configure a public server using Cisco Adaptive Security Device Manager, ASDM. Public servers are those application servers that are used by the external world to use their resources. A new feature called, Public Server, is introduced from Cisco ASDM software release 6.2 .

Prerequisites

Requirements

There are no specific requirements for this document.

Components Used

The information in this document is based on these software and hardware versions:

- Cisco ASA 5500 series Adaptive Security Appliances running software version 8.2 and later
- Cisco Adaptive Security Device Manager software version 6.2 and later

The information in this document was created from the devices in a specific lab environment. All of the devices used in this document started with a cleared (default) configuration. If your network is live, make sure that you understand the potential impact of any command.

Conventions

Refer to the [Cisco Technical Tips Conventions](#) for more information on document conventions.

Background Information

A web server with internal IP address, 172.16.10.10 is in the DMZ network and should be accessed from the Outside world. You need these items in order to accomplish this:.

- Create a translation entry specific to this web server.
- Create an ACL entry to permit this connection.

But, from Cisco ASDM software release version 6.2 and later, a new wizard for the public server is introduced. From now, you do not need to separately configure the NAT translations and the ACL permits. Instead, you need to specify simple details such as public interface, private interface, public IP address, private address and service.

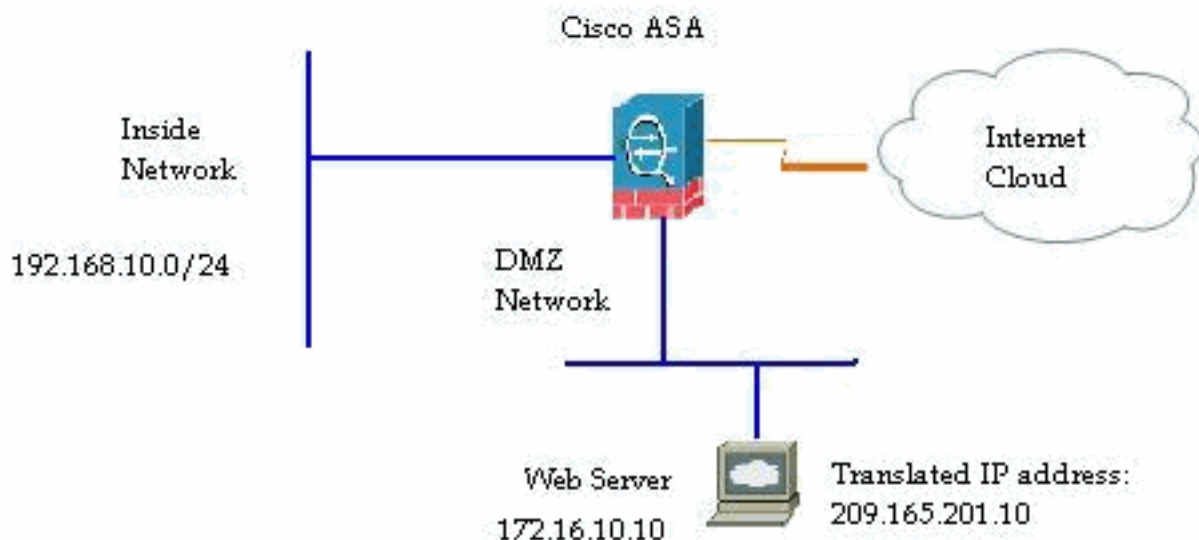
Configure

In this section, you are presented with the information to configure the features described in this document.

Note: Use the [Command Lookup Tool](#) ([registered](#) customers only) to obtain more information on the commands used in this section.

Network Diagram

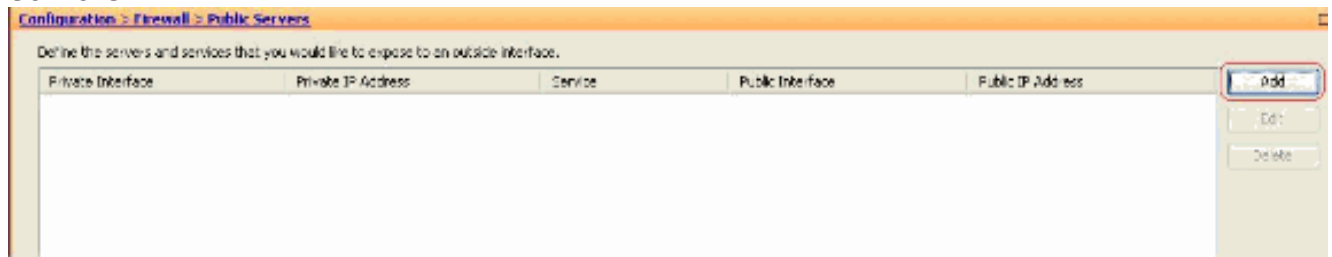
This document uses this network setup:



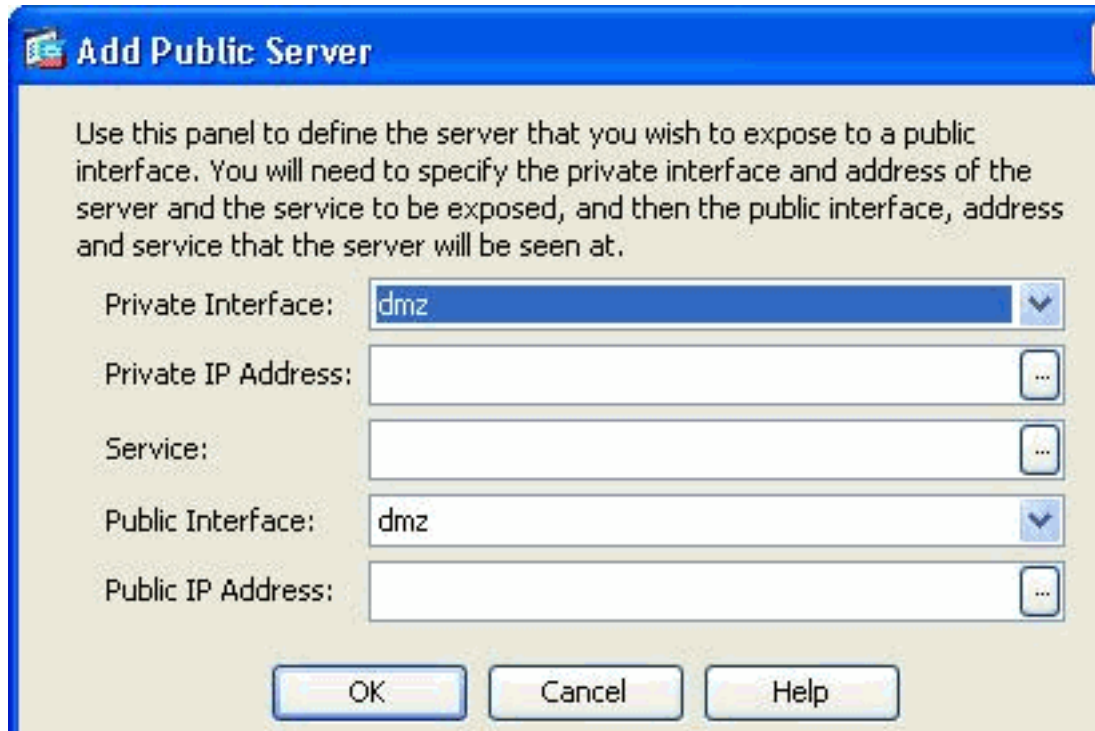
ASDM Configuration

Complete these steps in order to configure a public server with the wizard.

1. Choose **Configuration > Firewall > Public servers.**

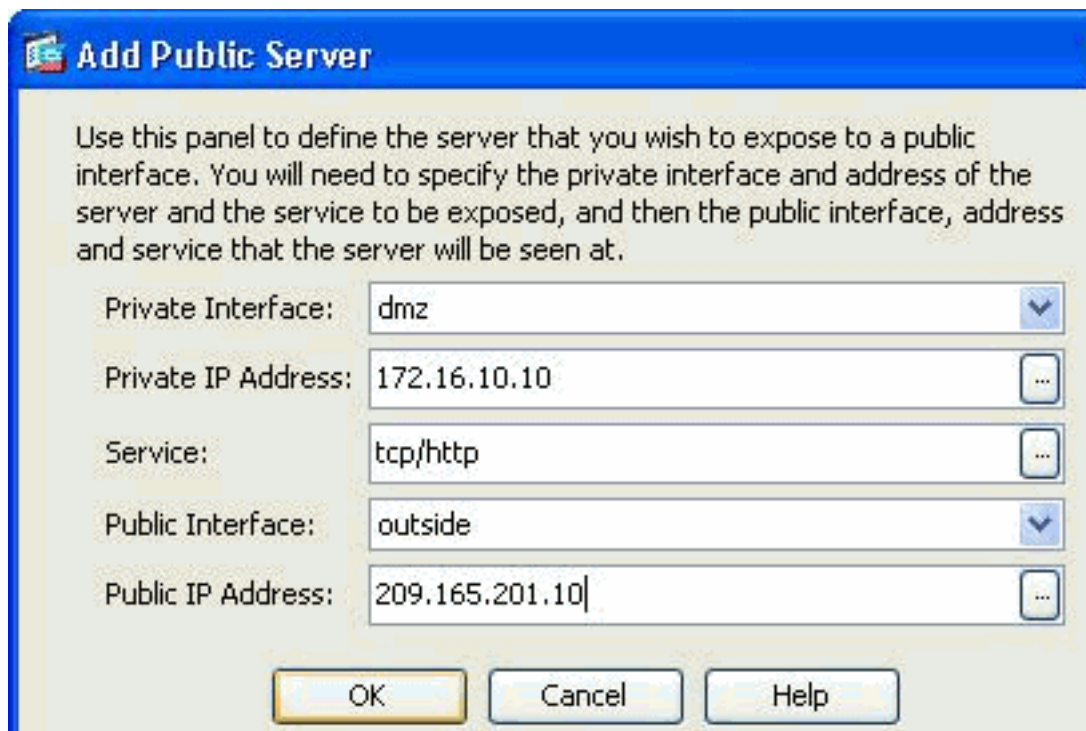


2. Click **Add**. Then the Add Public Server window



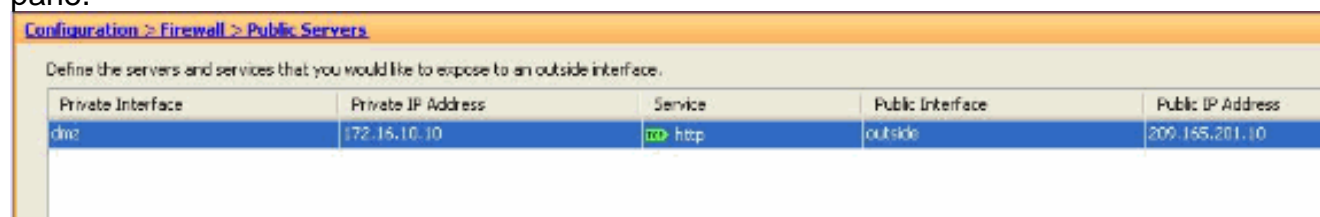
appears.

3. Now specify these parameters:
Private Interface—The interface to which the real server is connected.
Private IP Address—The real IP address of the server.
Private Service—The actual service that is running on the real server.
Public Interface—The interface through which outside users can access the real server.
Public Address—The IP address that is seen by outside



users.

4. Click **OK**.
5. You can view the related configuration entry in the Public Servers pane.



6. The equivalent CLI configuration is shown here for your reference:

Support for Static PAT

When you use Cisco ASDM version 6.2, you can configure the public server for a static NAT only, but not with a static PAT. It means the public server is accessible at the same service that it is actually exposed to outside world. From Cisco ASDM software release 6.3 and later, support for static NAT with Port Address Translation is available, which means that you can access the public server at a different service to what it is actually exposed.

This is a sample ASDM screen shot of the Add Public Server window for ASDM software release 6.3.

Add Public Server

Use this panel to define the server that you wish to expose to a public interface. You will need to specify the private interface and address of the server and the service to be exposed, and then the public interface, address and service that the server will be seen at.

Private Interface: dmz

Private IP Address: []

Private Service: []

Public Interface: dmz

Public IP Address: []

Options

Specify Public Service if different from Private Service. This will enable the static PAT.

Public Service [] (TCP or UDP service only)

OK Cancel Help

In this case, the public service can be different from the private service. Refer to [Static NAT with Port Address Translation](#) for more information.

[More explanation about CLI](#)

This feature is exclusively introduced from ASDM perspective for the ease of the Administrator to configure Public Servers. No equivalent new CLI commands are introduced. When you configure a public server using ASDM, the equivalent set of commands for the static and access-list are created automatically and can be viewed in the corresponding ASDM panes. A modification to these entries also result in the modification in the public server entry.

[Verify](#)

There is currently no verification procedure available for this configuration.

[Related Information](#)

- [Cisco ASA 5500 series Support Page](#)
- [Cisco ASA 5500 series Configuration using ASDM version 6.3](#)
- [Technical Support & Documentation - Cisco Systems](#)