

# Understanding the 1-Port ISDN BRI (S/T) WAN Interface Card (WIC-1B-S/T or WIC36-1B-S/T)

Document ID: 7247

## Contents

### Introduction

#### Prerequisites

- Requirements
- Components Used
- Conventions

#### Product Numbers

#### Features

#### Platform Support

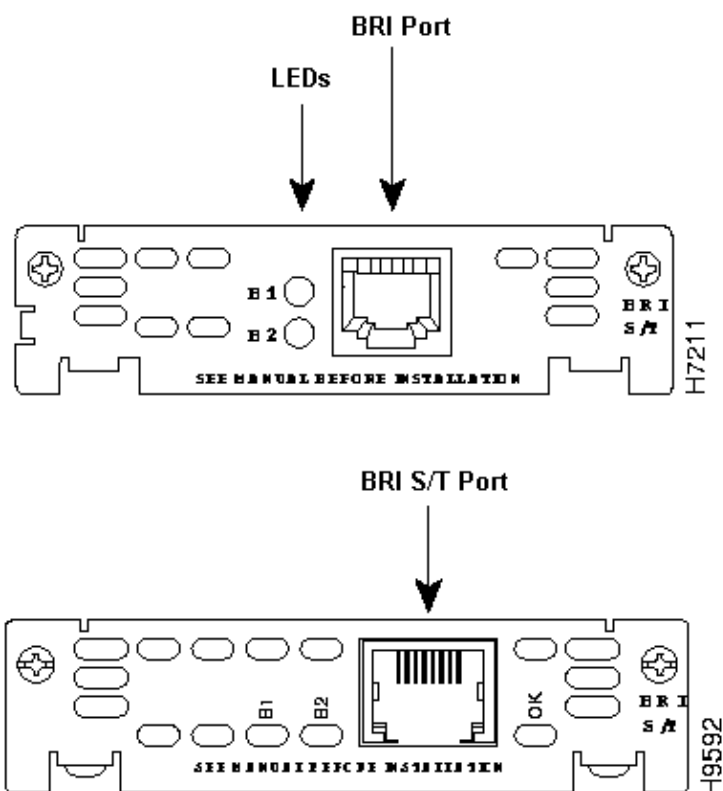
#### Configuration

#### Related Information

## Introduction

Three versions of the ISDN Basic Rate Interface (BRI) S/T WAN interface card (WIC) are available: the WIC36-1B-S/T, WIC-1B-S/T and WIC-1B-S/T-LL. These cards offer a single ISDN BRI S/T-interface. These WICs can require an external NT-1 that depends on the region of the world. The WIC inserts into a mixed-media network module or directly into the WIC slot on the Cisco 1600, 1700, 2600, 3600 or 3700 chassis. The ability to add BRI connectivity via a WIC lets administrators maximize valuable slot space while it provides additional connectivity options, such as Ethernet, on the same module.

**Note:** The WIC-1B-S/T-LL is for leased line BRIs.



These are the differences between the two:

- The product number is printed on a label on the under side of the WIC.
- The WIC36 has a keying tab on the left-hand side of the WIC.
- The WIC-1B-S/T has an "OK" LED.
- Use the Cisco IOS® **show diag** command in order to see which WIC is in a network module.

## Prerequisites

## Requirements

There are no specific requirements for this document.

## Components Used

This document is not restricted to specific software and hardware versions.

## Conventions

Refer to Cisco Technical Tips Conventions for more information on document conventions.

## Product Numbers

WIC36-1B-S/T	One ISDN BRI port (S/T interface, requires external NT-1)
WIC-1B-S/T	One ISDN BRI port (S/T interface, requires external NT-1)

## Features

WIC36-1B-S/T	WIC-1B-S/T
<ul style="list-style-type: none"><li>• One ISDN BRI port (S/T interface, requires external NT-1)</li><li>• RJ-45 connector</li><li>• Not compatible with Cisco 1600, 1720, 2600 or 3700 series</li><li>• Does not support hot swap, however no hardware damage will occur if it is swapped while power is on</li><li>• Maximum of 1 per NM-1E2W, NM-1E1R2W, and NM-2E2W card</li></ul>	<ul style="list-style-type: none"><li>• One ISDN BRI port (S/T interface, requires external NT-1)</li><li>• RJ-45 connector</li><li>• Supported on Cisco 1600, 1720, 2600, 3600 or 3700 series</li><li>• Cannot be used with Cisco 1603 or 1604 base units</li><li>• Does not support hot swap, however no hardware damage occurs if it is swapped while power is on</li><li>• Can go into slot "W0" or "W1" of the 1E2W, 2E2W, and 1E1R2W</li></ul>



## Related Information

- [Configuring Channelized E1 and Channelized T1](#)
  - [OIR Support for Analog and Digital Modem Network Modules](#)
  - [Access Technology Support Page](#)
  - [Access Products Support Page](#)
  - [Technical Support & Documentation – Cisco Systems](#)
- 

[Contacts & Feedback](#) | [Help](#) | [Site Map](#)

© 2014 – 2015 Cisco Systems, Inc. All rights reserved. [Terms & Conditions](#) | [Privacy Statement](#) | [Cookie Policy](#) | [Trademarks of Cisco Systems, Inc.](#)

---

Updated: Jul 11, 2007

Document ID: 7247

---