

BGP Conditional Advertisement Feature

Contents

[Introduction](#)

[Prerequisites](#)

[Requirements](#)

[Components Used](#)

[Configure](#)

[Network Diagram](#)

[Configurations](#)

[Verify](#)

[Troubleshoot](#)

Introduction

This document describes the Border Gateway Protocol (BGP) conditional advertisement feature that provides additional control of route advertisements, which depends upon the existence of other prefixes in the BGP table.

Prerequisites

Requirements

Cisco recommends that you have knowledge of this topic:

- Platform Independent

Components Used

The information in this document is based on these software and hardware versions:

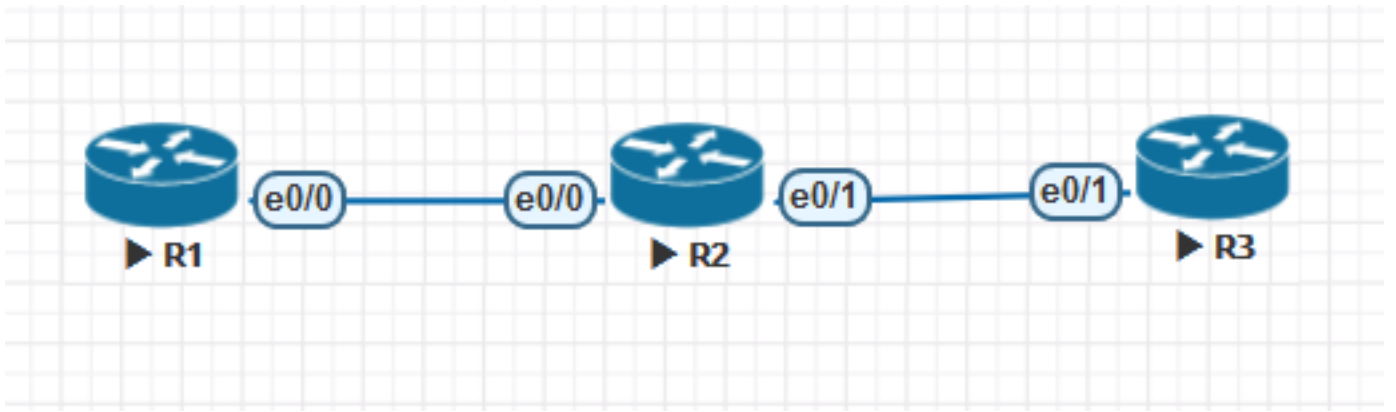
- IOS
- IOS-XE
- ASR1000

The information in this document was created from the devices in a specific lab environment. All of the devices used in this document started with a cleared (default) configuration. If your network is live, ensure that you understand the potential impact of any command.

Configure

Configure R1, R2, and R3. The configuration is given here.

Network Diagram



Configurations

R1 Configuration:

```

!
hostname R1
!
ip cef
!
interface Loopback0
ip address 1.1.1.1 255.255.255.255
!
interface Loopback1
ip address 1.1.1.2 255.255.255.255
!
interface Loopback2
ip address 1.1.1.3 255.255.255.255
!
interface Loopback3
ip address 1.1.1.4 255.255.255.255
!
interface Loopback4
ip address 1.1.1.5 255.255.255.255
!
interface Loopback100
ip address 10.139.224.1 255.255.240.0
!
interface Ethernet0/0
ip address 10.10.12.1 255.255.255.0
!
router bgp 1
bgp log-neighbor-changes
neighbor 10.10.12.2 remote-as 2
!
address-family ipv4
network 0.0.0.0 route-map DEF
network 1.1.1.1 mask 255.255.255.255 route-map RM1
network 1.1.1.5 mask 255.255.255.255
redistribute connected route-map CUST
neighbor 10.10.12.2 activate
neighbor 10.10.12.2 send-community
neighbor 10.10.12.2 soft-reconfiguration inbound
exit-address-family
!
ip forward-protocol nd
!
ip bgp-community new-format
  
```

```

ip route 0.0.0.0 0.0.0.0 Null0
!
ip prefix-list CUST seq 5 permit 10.139.224.0/20
!
ip prefix-list DEFAULT seq 5 permit 0.0.0.0/0
!
ip prefix-list PL1 seq 5 permit 1.1.1.1/32
!
route-map CUST permit 10
match ip address prefix-list CUST
set community 64671:501
!
route-map RM1 permit 10
match ip address prefix-list PL1
set community 64952:3008
!
route-map DEF permit 10
match ip address prefix-list DEFAULT
set community 64848:3011 65011:200 65013:200
!
end

```

R2 Configuration:

```

!
hostname R2
!
ip cef
!
interface Loopback0
 ip address 2.2.2.2 255.255.255.255
!
interface Ethernet0/0
 ip address 10.10.12.2 255.255.255.0
!
interface Ethernet0/1
 ip address 10.10.23.2 255.255.255.0
!
router bgp 2
 bgp log-neighbor-changes
 neighbor 10.10.12.1 remote-as 1
 neighbor 10.10.23.3 remote-as 3
!
 address-family ipv4
  neighbor 10.10.12.1 activate
  neighbor 10.10.12.1 soft-reconfiguration inbound
  neighbor 10.10.23.3 activate
  neighbor 10.10.23.3 send-community
  neighbor 10.10.23.3 advertise-map ADV-MAP exist-map EXIST-MAP <<< This statement changes in
non-exist-map
  neighbor 10.10.23.3 soft-reconfiguration inbound
  exit-address-family
!
ip forward-protocol nd
!
ip bgp-community new-format
ip community-list standard DEFAULT-ROUTE permit 65013:200
ip community-list standard DC1-ROUTES permit 64952:3008
ip community-list standard DC2-ROUTES permit 64671:501
ip community-list standard DC3-ROUTES permit 64950:3009
ip community-list standard DEFAULT-ROUTE-DENY deny 65013:200
!
!

```

```

ip prefix-list DEFAULT seq 5 permit 1.1.1.5/32
ip prefix-list DEFAULT seq 10 permit 1.1.1.1/32
!
ip prefix-list EXIST seq 5 permit 10.10.10.10/32
!
ip prefix-list DEFAULT-ROUTE seq 5 permit 0.0.0.0/0
!
ip prefix-list DEFAULT-ROUTE-DENY seq 5 deny 0.0.0.0/0
!
ip prefix-list IP1 seq 5 permit 10.139.224.0/20
!
ip prefix-list T2 seq 5 permit 1.1.1.5/32
!
route-map ADV-MAP permit 10
  match ip address prefix-list IP1
!
route-map ADV-MAP permit 20
  match community DC1-ROUTES DC2-ROUTES DC3-ROUTES
!
route-map EXIST-MAP permit 10
  description Verify Default Route from MDC-SWG
  match ip address prefix-list DEFAULT-ROUTE IP1
  match community DEFAULT-ROUTE
!
!
end

```

R3 Configuration:

```

!
hostname R3
!
ip cef
!
interface Loopback0
  ip address 3.3.3.3 255.255.255.255
!
interface Ethernet0/1
  ip address 10.10.23.3 255.255.255.0
  shutdown
!
router bgp 3
  bgp log-neighbor-changes
  neighbor 10.10.23.2 remote-as 2
  !
  address-family ipv4
    neighbor 10.10.23.2 activate
    neighbor 10.10.23.2 send-community
    neighbor 10.10.23.2 soft-reconfiguration inbound
  exit-address-family
!
ip forward-protocol nd
!
ip bgp-community new-format
!
end

```

Verify

Condition 1:

If the default route is not present in BGP RIB, R2 should not advertise certain routes.
If the default route is present in BGP RIB, R2 should advertise all the routes.

Use exist-map

Condition 2:

If the default route is not present in BGP RIB, R2 should advertise all the routes.
If the default route is present in BGP RIB, R2 should not advertise certain routes.

Use non-exist-map

```
R1#show ip bgp
BGP table version is 7, local router ID is 10.139.224.1
Status codes: s suppressed, d damped, h history, * valid, > best, i - internal,
               r RIB-failure, S Stale, m multipath, b backup-path, f RT-Filter,
               x best-external, a additional-path, c RIB-compressed,
Origin codes: i - IGP, e - EGP, ? - incomplete
RPKI validation codes: V valid, I invalid, N Not found
```

	Network	Next Hop	Metric	LocPrf	Weight	Path
*>	0.0.0.0	0.0.0.0	0		32768	i
*>	1.1.1.1/32	0.0.0.0	0		32768	i
*>	1.1.1.5/32	0.0.0.0	0		32768	i
*>	10.139.224.0/20	0.0.0.0	0		32768	?

```
R2#show ip bgp
BGP table version is 11, local router ID is 2.2.2.2
Status codes: s suppressed, d damped, h history, * valid, > best, i - internal,
               r RIB-failure, S Stale, m multipath, b backup-path, f RT-Filter,
               x best-external, a additional-path, c RIB-compressed,
Origin codes: i - IGP, e - EGP, ? - incomplete
RPKI validation codes: V valid, I invalid, N Not found
```

	Network	Next Hop	Metric	LocPrf	Weight	Path
*>	0.0.0.0	10.10.12.1	0		0 1	i
*>	1.1.1.1/32	10.10.12.1	0		0 1	i
*>	1.1.1.5/32	10.10.12.1	0		0 1	i
*>	10.139.224.0/20	10.10.12.1	0		0 1	?

R2#show ip bgp 0.0.0.0

```
BGP routing table entry for 0.0.0.0/0, version 9
Paths: (1 available, best #1, table default)
  Advertised to update-groups:
    1
  Refresh Epoch 1
  1, (received & used)
  10.10.12.1 from 10.10.12.1 (10.139.224.1)
    Origin IGP, metric 0, localpref 100, valid, external, best
    Community: 64848:3011 65011:200 65013:200
    rx pathid: 0, tx pathid: 0x0
```

```
R2#show ip bgp neighbors 10.10.23.3 advertised-routes
BGP table version is 11, local router ID is 2.2.2.2
Status codes: s suppressed, d damped, h history, * valid, > best, i - internal,
               r RIB-failure, S Stale, m multipath, b backup-path, f RT-Filter,
               x best-external, a additional-path, c RIB-compressed,
Origin codes: i - IGP, e - EGP, ? - incomplete
RPKI validation codes: V valid, I invalid, N Not found
```

Network	Next Hop	Metric	LocPrf	Weight	Path
*> 0.0.0.0	10.10.12.1	0		0	1 i
*> 1.1.1.1/32	10.10.12.1	0		0	1 i
*> 1.1.1.5/32	10.10.12.1	0		0	1 i
*> 10.139.224.0/20	10.10.12.1	0		0	1 ?

Total number of prefixes 4

Condition1 Verification:

=====

If default route is not present in BGP RIB, R2 should not advertise certain routes.

If default route is present in BGP RIB, R2 should advertise all the routes. Use exist-map

R2's BGP Configuration:

=====

```
R2#show running-config | sec bgp
router bgp 2
  bgp log-neighbor-changes
  neighbor 10.10.12.1 remote-as 1
  neighbor 10.10.23.3 remote-as 3
  !
  address-family ipv4
    neighbor 10.10.12.1 activate
    neighbor 10.10.12.1 soft-reconfiguration inbound
    neighbor 10.10.23.3 activate
    neighbor 10.10.23.3 send-community
  neighbor 10.10.23.3 advertise-map ADV-MAP exist-map EXIST-MAP
  neighbor 10.10.23.3 soft-reconfiguration inbound
  exit-address-family
  ip bgp-community new-format
```

When Default route is removed from R2's BGP RIB:

=====

```
*Mar 6 09:07:08.833: BGP(0): 10.10.12.1 rcv UPDATE about 0.0.0.0/0 -- withdrawn
*Mar 6 09:07:08.833: BGP(0): no valid path for 0.0.0.0/0
*Mar 6 09:07:08.833: BGP: topo global:IPv4 Unicast:base Remove_fwdroute for 0.0.0.0/0
*Mar 6 09:07:08.833: BGP(0): (base) 10.10.23.3 send unreachable (format) 0.0.0.0/0
*Mar 6 09:07:21.280: BPG(0): Condition EXIST-MAP changes to Withdraw
*Mar 6 09:07:21.353: BGP(0): net 1.1.1.1/32 matches ADV MAP ADV-MAP: bump version to 13
*Mar 6 09:07:21.353: BGP(0): net 10.139.224.0/20 matches ADV MAP ADV-MAP: bump version to 14
*Mar 6 09:07:21.362: BGP(0): Revise route installing 1 of 1 routes for 1.1.1.1/32 ->
10.10.12.1(global) to main IP table
*Mar 6 09:07:21.362: BGP(0): Revise route installing 1 of 1 routes for 10.139.224.0/20 ->
10.10.12.1(global) to main IP table
*Mar 6 09:07:38.933: BGP(0): (base) 10.10.23.3 send unreachable (format) 1.1.1.1/32
*Mar 6 09:07:38.933: BGP(0): (base) 10.10.23.3 send unreachable (format) 10.139.224.0/20
```

```
R2#show ip bgp neighbors 10.10.23.3 advertised-routes
BGP table version is 14, local router ID is 2.2.2.2
Status codes: s suppressed, d damped, h history, * valid, > best, i - internal,
               r RIB-failure, S Stale, m multipath, b backup-path, f RT-Filter,
               x best-external, a additional-path, c RIB-compressed,
Origin codes: i - IGP, e - EGP, ? - incomplete
RPKI validation codes: V valid, I invalid, N Not found
```

Network	Next Hop	Metric	LocPrf	Weight	Path
*> 1.1.1.5/32	10.10.12.1	0		0	1 i

Total number of prefixes 1

When Default route is added back into R2's BGP RIB:

```
=====
*Mar 6 09:15:22.883: BGP(0): 10.10.12.1 rcvd UPDATE w/ attr: nexthop 10.10.12.1, origin i,
metric 0, merged path 1, AS_PATH , community 64848:3011 65011:200 65013:200
*Mar 6 09:15:22.883: BGP(0): 10.10.12.1 rcvd 0.0.0.0/0
*Mar 6 09:15:22.883: BGP(0): Revise route installing 1 of 1 routes for 0.0.0.0/0 ->
10.10.12.1(global) to main IP table
*Mar 6 09:15:22.883: BGP(0): (base) 10.10.23.3 send UPDATE (format) 0.0.0.0/0, next 10.10.23.2,
metric 0, path 1
*Mar 6 09:16:21.759: BGP(0): Condition EXIST-MAP changes to Advertise
*Mar 6 09:16:21.759: BGP(0): net 1.1.1.1/32 matches ADV MAP ADV-MAP: bump version to 16
*Mar 6 09:16:21.759: BGP(0): net 10.139.224.0/20 matches ADV MAP ADV-MAP: bump version to 17
*Mar 6 09:16:21.768: BGP(0): Revise route installing 1 of 1 routes for 1.1.1.1/32 ->
10.10.12.1(global) to main IP table
*Mar 6 09:16:21.769: BGP(0): Revise route installing 1 of 1 routes for 10.139.224.0/20 ->
10.10.12.1(global) to main IP table
*Mar 6 09:16:21.769: BGP(0): (base) 10.10.23.3 send UPDATE (format) 1.1.1.1/32, next
10.10.23.2, metric 0, path 1
*Mar 6 09:16:21.769: BGP(0): (base) 10.10.23.3 send UPDATE (format) 10.139.224.0/20, next
10.10.23.2, metric 0, path 1
```

```
R2#show ip bgp neighbors 10.10.23.3 advertised-routes
BGP table version is 17, local router ID is 2.2.2.2
Status codes: s suppressed, d damped, h history, * valid, > best, i - internal,
               r RIB-failure, S Stale, m multipath, b backup-path, f RT-Filter,
               x best-external, a additional-path, c RIB-compressed,
Origin codes: i - IGP, e - EGP, ? - incomplete
RPKI validation codes: V valid, I invalid, N Not found
```

	Network	Next Hop	Metric	LocPrf	Weight	Path
*>	0.0.0.0	10.10.12.1	0		0	1 i
*>	1.1.1.1/32	10.10.12.1	0		0	1 i
*>	1.1.1.5/32	10.10.12.1	0		0	1 i
*>	10.139.224.0/20	10.10.12.1	0		0	1 ?

Total number of prefixes 4

Condition2 Verification:

```
=====
If default route is not present in BGP RIB, R2 should advertise all the routes.
If default route is present in BGP RIB, R2 should not advertise certain routes. Use non-exist-
map
```

R2's BGP Configuration:

```
=====
R2#show running-config | sec bgp
router bgp 2
  bgp log-neighbor-changes
  neighbor 10.10.12.1 remote-as 1
  neighbor 10.10.23.3 remote-as 3
  !
  address-family ipv4
    neighbor 10.10.12.1 activate
    neighbor 10.10.12.1 soft-reconfiguration inbound
    neighbor 10.10.23.3 activate
    neighbor 10.10.23.3 send-community
  neighbor 10.10.23.3 advertise-map ADV-MAP non-exist-map EXIST-MAP
  neighbor 10.10.23.3 soft-reconfiguration inbound
  exit-address-family
ip bgp-community new-format
```

When Default route is removed from R2's BGP RIB:

=====

```
*Mar 6 09:21:24.445: BGP(0): 10.10.12.1 rcv UPDATE about 0.0.0.0/0 -- withdrawn
*Mar 6 09:21:24.445: BGP(0): no valid path for 0.0.0.0/0
*Mar 6 09:21:24.445: BGP: topo global:IPv4 Unicast:base Remove_fwdroute for 0.0.0.0/0
*Mar 6 09:21:24.445: BGP(0): (base) 10.10.23.3 send unreachable (format) 0.0.0.0/0
*Mar 6 09:22:22.050: BPG(0): Condition EXIST-MAP changes to Advertise
*Mar 6 09:22:22.050: BGP(0): net 1.1.1.1/32 matches ADV MAP ADV-MAP: bump version to 21
*Mar 6 09:22:22.050: BGP(0): net 10.139.224.0/20 matches ADV MAP ADV-MAP: bump version to 22
*Mar 6 09:22:22.060: BGP(0): Revise route installing 1 of 1 routes for 1.1.1.1/32 ->
10.10.12.1(global) to main IP table
*Mar 6 09:22:22.060: BGP(0): Revise route installing 1 of 1 routes for 10.139.224.0/20 ->
10.10.12.1(global) to main IP table
*Mar 6 09:22:22.060: BGP(0): (base) 10.10.23.3 send UPDATE (format) 1.1.1.1/32, next
10.10.23.2, metric 0, path 1
*Mar 6 09:22:22.060: BGP(0): (base) 10.10.23.3 send UPDATE (format) 10.139.224.0/20, next
10.10.23.2, metric 0, path 1
```

R2#show ip bgp neighbors 10.10.23.3 advertised-routes

BGP table version is 22, local router ID is 2.2.2.2

Status codes: s suppressed, d damped, h history, * valid, > best, i - internal,
r RIB-failure, S Stale, m multipath, b backup-path, f RT-Filter,
x best-external, a additional-path, c RIB-compressed,

Origin codes: i - IGP, e - EGP, ? - incomplete

RPKI validation codes: V valid, I invalid, N Not found

	Network	Next Hop	Metric	LocPrf	Weight	Path
*>	1.1.1.1/32	10.10.12.1	0		0 1	i
*>	1.1.1.5/32	10.10.12.1	0		0 1	i
*>	10.139.224.0/20	10.10.12.1	0		0 1	?

Total number of prefixes 3

When Default route is added back into R2's BGP RIB:

=====

```
*Mar 6 09:23:04.461: BGP(0): 10.10.12.1 rcvd UPDATE w/ attr: nexthop 10.10.12.1, origin i,
metric 0, merged path 1, AS_PATH , community 64848:3011 65011:200 65013:200
*Mar 6 09:23:04.461: BGP(0): 10.10.12.1 rcvd 0.0.0.0/0
*Mar 6 09:23:04.461: BGP(0): Revise route installing 1 of 1 routes for 0.0.0.0/0 ->
10.10.12.1(global) to main IP table
*Mar 6 09:23:04.461: BGP(0): (base) 10.10.23.3 send UPDATE (format) 0.0.0.0/0, next 10.10.23.2,
metric 0, path 1
*Mar 6 09:23:22.090: BPG(0): Condition EXIST-MAP changes to Withdraw
*Mar 6 09:23:22.090: BGP(0): net 1.1.1.1/32 matches ADV MAP ADV-MAP: bump version to 24
*Mar 6 09:23:22.090: BGP(0): net 10.139.224.0/20 matches ADV MAP ADV-MAP: bump version to 25
*Mar 6 09:23:22.103: BGP(0): Revise route installing 1 of 1 routes for 1.1.1.1/32 ->
10.10.12.1(global) to main IP table
*Mar 6 09:23:22.103: BGP(0): Revise route installing 1 of 1 routes for 10.139.224.0/20 ->
10.10.12.1(global) to main IP table
*Mar 6 09:23:35.248: BGP(0): (base) 10.10.23.3 send unreachable (format) 1.1.1.1/32
*Mar 6 09:23:35.248: BGP(0): (base) 10.10.23.3 send unreachable (format) 10.139.224.0/20
```

R2#show ip bgp neighbors 10.10.23.3 advertised-routes

BGP table version is 25, local router ID is 2.2.2.2

Status codes: s suppressed, d damped, h history, * valid, > best, i - internal,
r RIB-failure, S Stale, m multipath, b backup-path, f RT-Filter,
x best-external, a additional-path, c RIB-compressed,

Origin codes: i - IGP, e - EGP, ? - incomplete

RPKI validation codes: V valid, I invalid, N Not found

	Network	Next Hop	Metric	LocPrf	Weight	Path
*>	0.0.0.0	10.10.12.1	0		0 1	i
*>	1.1.1.5/32	10.10.12.1	0		0 1	i

Total number of prefixes 2

	Exist-map Status	Advertise-map Status
If the Default route present.	Condition matched	Advertise
If a Default route is not present.	Condition not matched	Withdrawn
	Non-exist-map Status	Advertise-map Status
If the Default route present.	Condition matched	Withdraw
If a Default route is not present.	Condition not matched	Advertise

Troubleshoot

The important command is **debug ip bgp updates** which gives you a backend movement of route-maps associated with the BGP conditional map. In big network run conditional debug with ACL.

Note: BGP Scanner process runs every 60 seconds, hence as soon as we get the updates for the exist-map/non-exist-map, Advertise-map takes 60 seconds to get triggered.