

## Cisco GS7000 4-Way Segmentable Node 1 GHz with 85/102 MHz Split

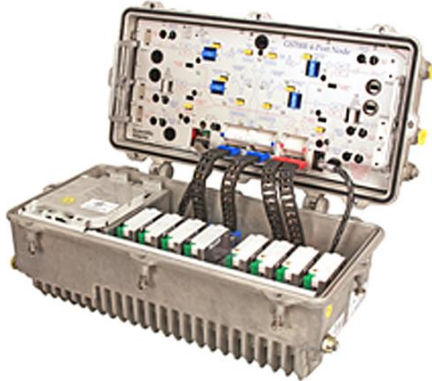
Consumer bandwidth demand continues to grow at a rapid rate every year. As a result, cable operators with DOCSIS<sup>®</sup>-based gear require extreme flexibility and simplicity in their outside plant products to optimize their network and reduce costs. The Cisco<sup>®</sup> GS7000 4-Way Segmentable Node scales to meet growing usage with the built-in flexibility to segment forward and reverse paths independently as requirements change – all in a reliable, easily configurable, technician-friendly package.

The forward path of the Cisco GS7000 4-Way Segmentable Node launch amplifier can be initially deployed in non-segmented mode with a single broadcast optical receiver distributing common RF services either to four output ports (all high level) or to six output ports (two high level and four lower level). The forward path can also be fully segmented by using four independent optical receivers that each feed their own output ports, or it can be left/right segmented by using two independent optical receivers that each feed half of the node's output ports. Forward path optical redundancy is also supported using optional redundant optical receivers. The type of forward path segmentation and/or redundancy is determined by the type of Forward Configuration Module installed.

The Cisco GS7000 Node's reverse path is equally flexible. Reverse traffic can be segmented or combined and routed to a maximum of four distributed feedback (DFB), coarse wavelength-division multiplexing (CWDM), or dense wavelength-division multiplexing (DWDM) reverse optical transmitters, or to the Cisco GS7000 Enhanced Digital Reverse (EDR) optical transmitters as part of the EDR system. Reverse path optical redundancy is supported using optional redundant optical transmitters. The type of reverse path segmentation and/or redundancy is determined by the type of Cisco GS7000 Reverse Configuration Module installed. A Reverse Input Port is also provided for high-frequency (5-210 MHz) reverse signal injection.

All optical transmitters and optical receivers used in the Cisco GS7000 platform have new high-profile module covers that include both a self-contained fiber pigtail storage area and an integrated pull ring for easier module installation and removal. Additionally, the GS7000 has two optical receiver designs. One is optimized for standard optical input levels and the other is optimized for low optical input levels. Both incorporate a two-state interstage RF attenuator switch for performance optimization.

**Figure 1.** Cisco GS7000 4-Way Segmentable Node with 85/105 Split



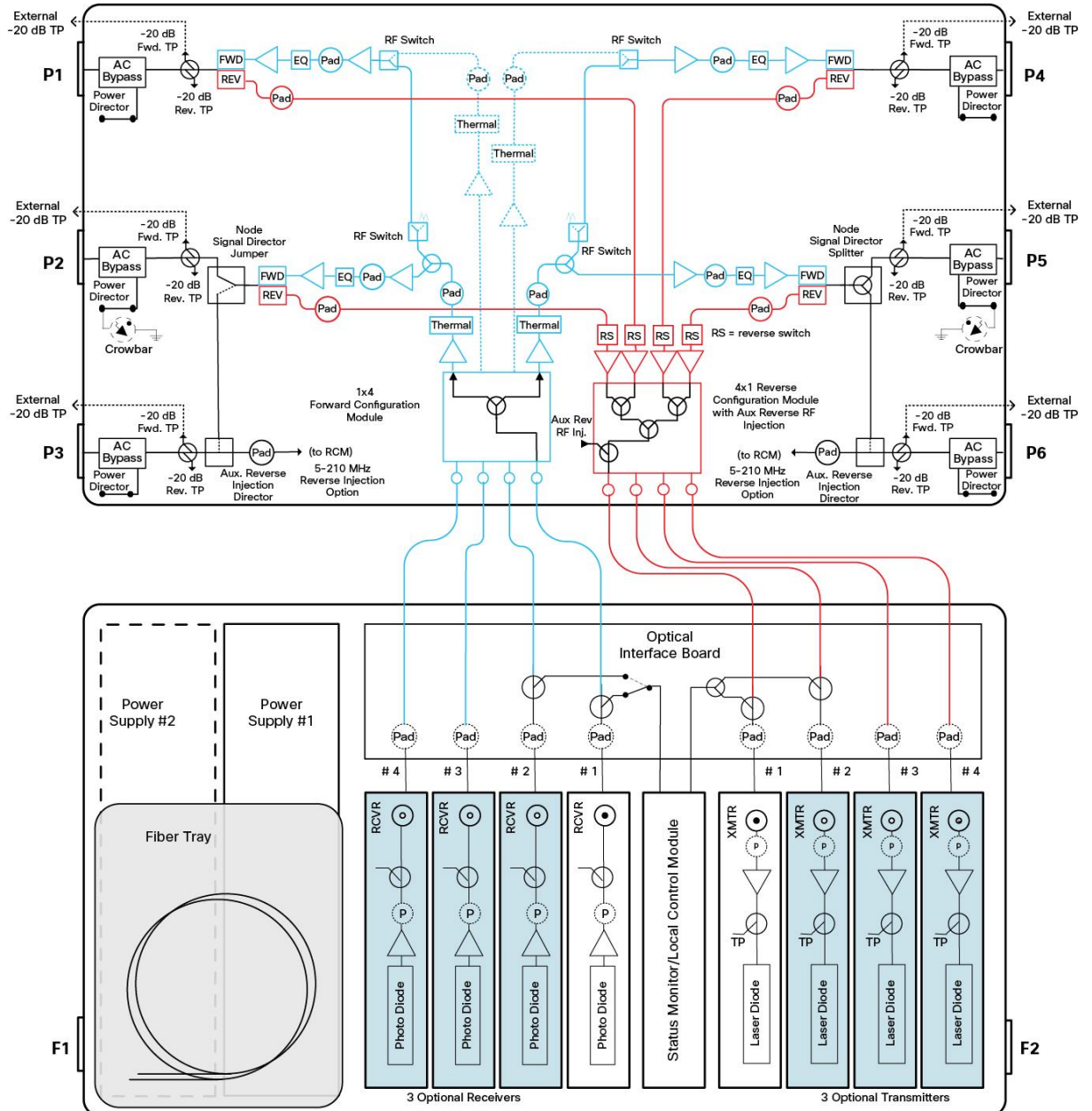
## Features

- Six port 1 GHz RF platform
- Uses GainMaker<sup>®</sup> type GaAs FET gain stages
- Standard accessories in the Cisco GainMaker<sup>®</sup> style (for example, attenuator pads, equalizers, diplexers, and crowbar)
- Field-accessible plug-in forward interstage linear equalizers, forward and reverse configuration modules, and signal directors
- Three-state reverse switch (on/off/6-dB) allows each reverse input to be isolated for noise and ingress troubleshooting (status monitoring or local control module required)
- Auxiliary reverse injection (5-210 MHz) configurable on up to two ports
- Positions for up to four optical receivers and four optical transmitters in housing lid
- Optional low-cost local control module may be installed with a redundant forward configuration module to allow optical path redundancy when no status monitor is required
- Optional status monitoring using a DOCSIS transponder (using standard HMS MIBs)
- Fiber entry ports on both ends of housing lid
- Fiber management tray and track provides easy access to fiber connections
- Primary and redundant power supplies with passive load sharing
- Spring-loaded seizure assemblies allow coaxial connectors to be installed or removed without removing amplifier chassis
- Dual/split AC power

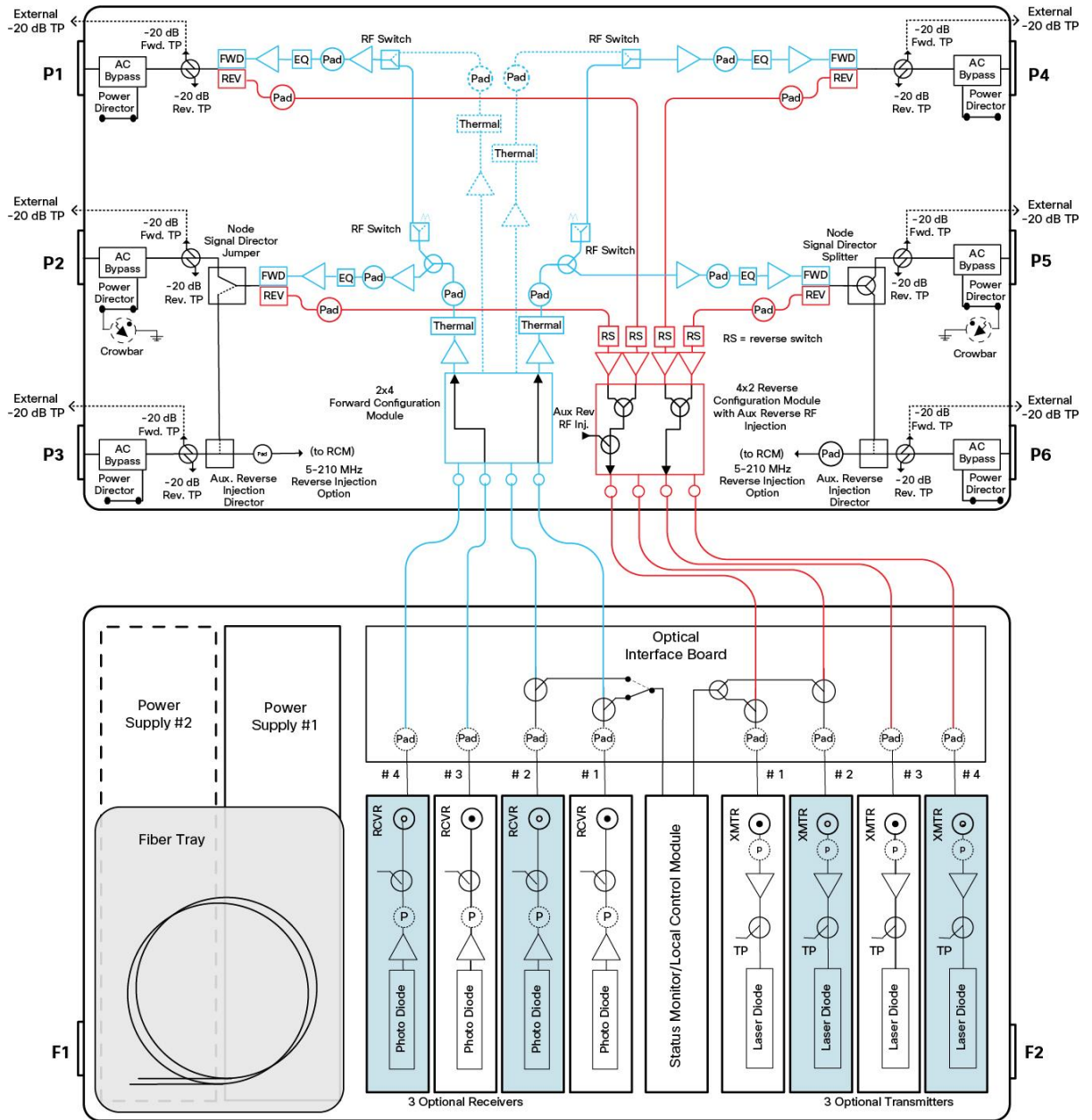
## Node Block Diagrams

Figures 2, 3, and 4 provide block diagrams of different node configurations.

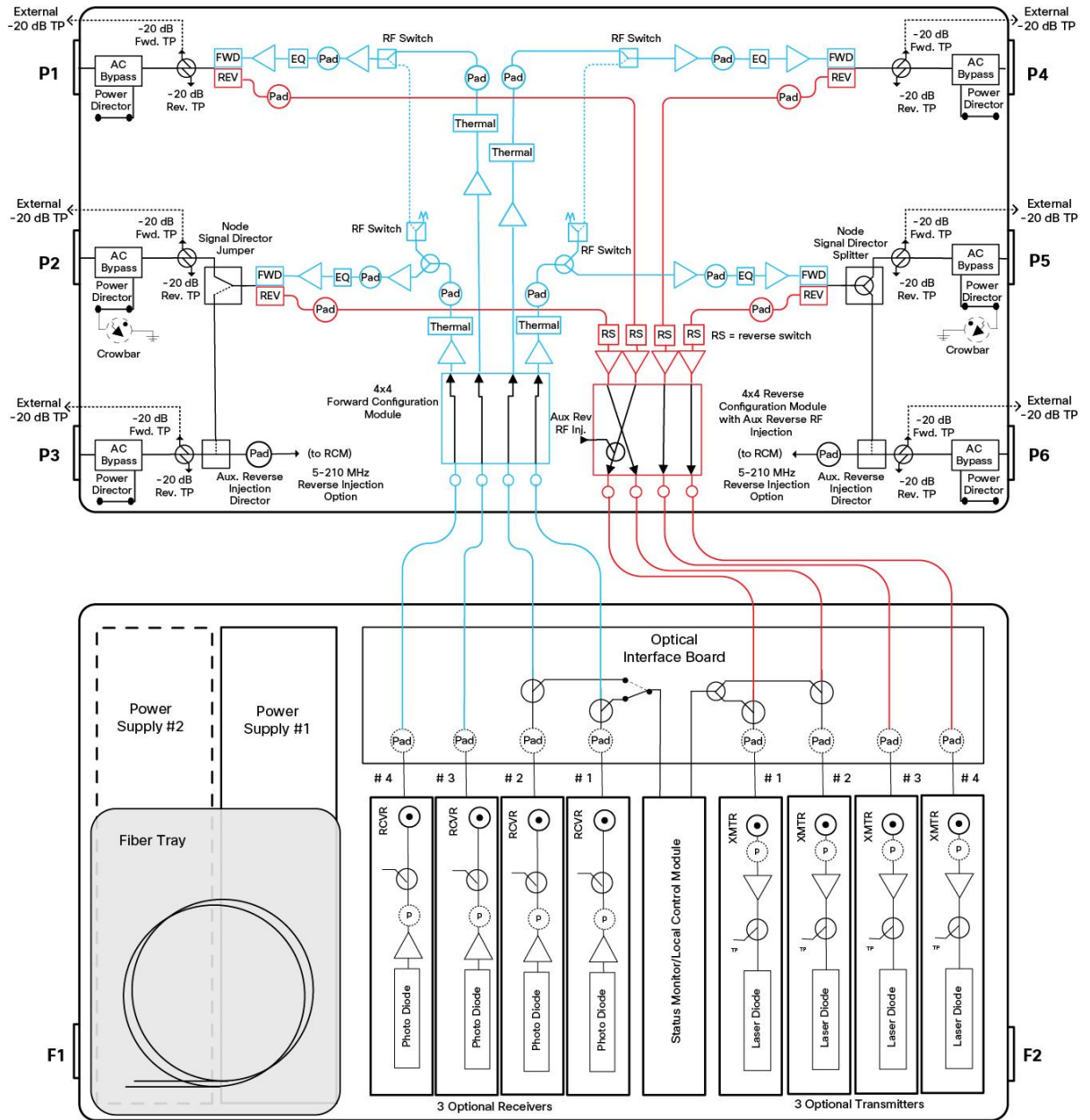
**Figure 2.** Block Diagram - Non-segmented Node



**Figure 3. Block Diagram - Left/Right Segmented Node**



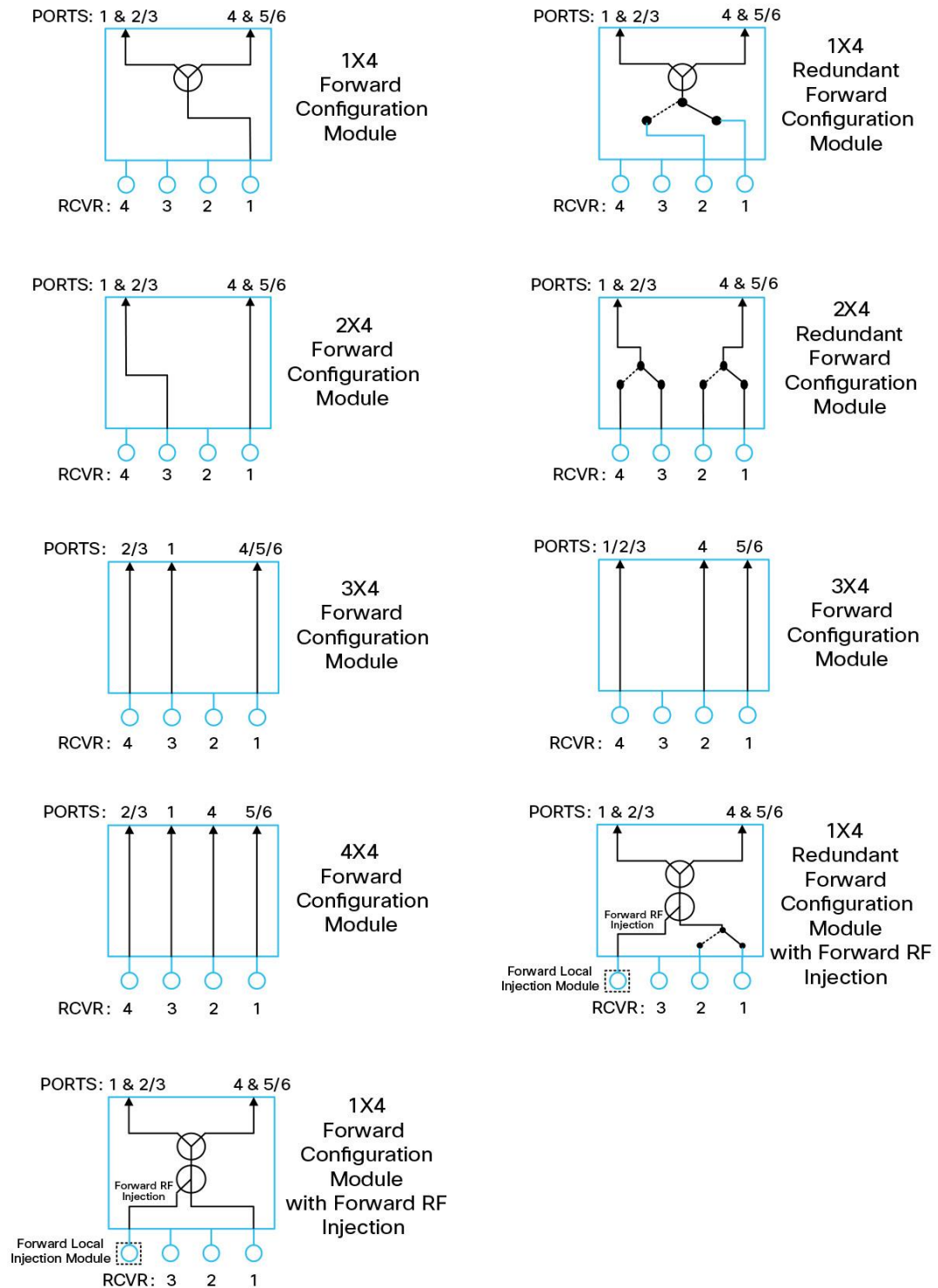
**Figure 4. Block Diagram - Fully Segmented Node**



## Configuration Module Block Diagrams

Figures 5 and 6 provide block diagrams of forward and reverse configuration modules.

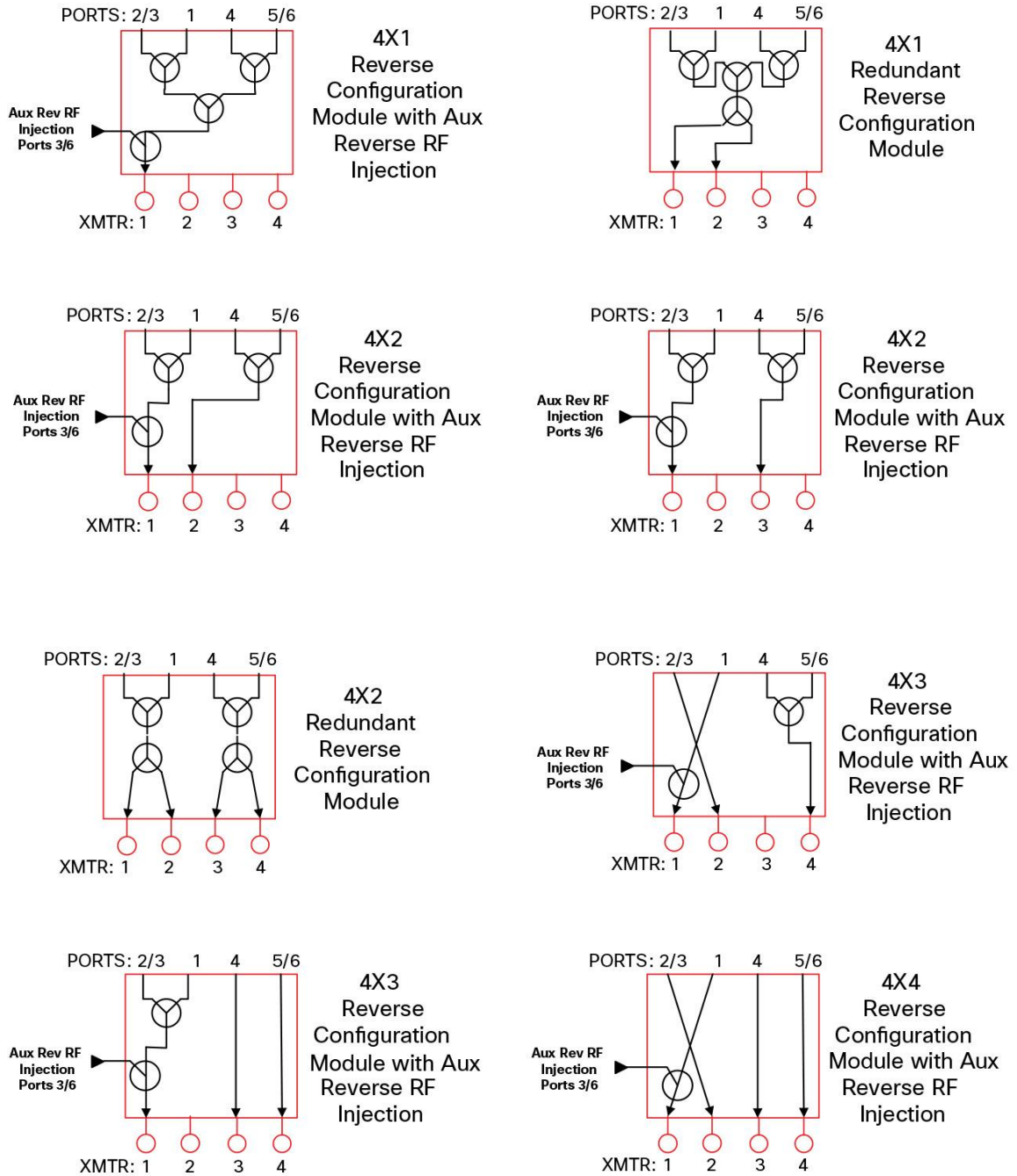
**Figure 5.** Block Diagrams: Forward Configuration Modules





## Block Diagrams - Configuration Modules

**Figure 6.** Reverse Configuration Modules

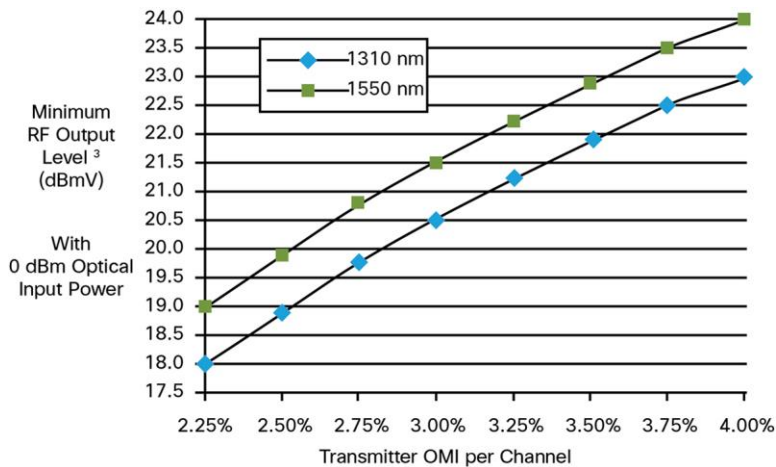


## Optical Section Specifications

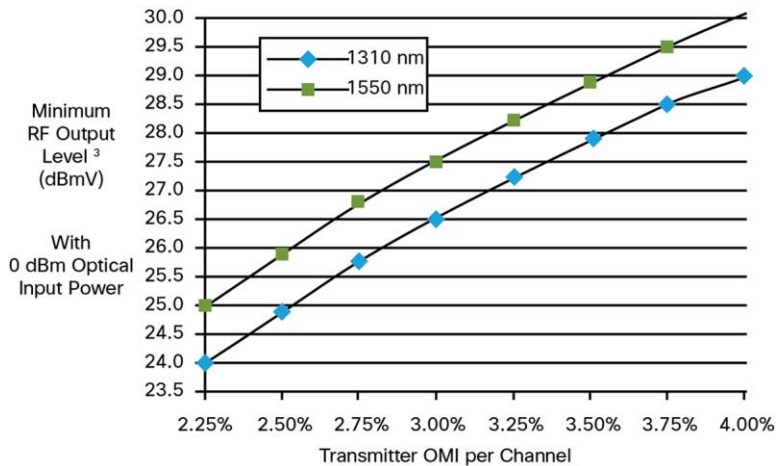
**Table 1.** Specifications for Optical Section of Forward Receiver Module

Optical Section: Forward Receiver Module	Units	GS7000 Standard RX	GS7000 Low Input RX	Notes
Wavelength	nm	1310 and 1550	1310 and 1550	
Optical input range	mW dBm	0.5 to 1.6 -3 to +2	0.25 to 0.79 -6 to -1	1, 2
Pass band	MHz	105-1002	105-1002	
Frequency response	dB	± 0.5	± 0.5	3
Tilt (±1.0 dB)	dB	0	0	
Optical input test point (±10%)	VDC	1V/mW	1V/mW	
Redundant optical Rx switching threshold (± 1.0 dB)	dBm	-6	-6	
Rx RF output level at 0 dBm optical Rx power	dBmV	Refer to Figures 7 and 8	Refer to Figures 9 and 10	4
Rx RF output test point (± 1.0 dB)	dB	- 20	- 20	

**Figure 7.** Standard Receiver RF Output Level Vs Transmitter OMI - Rx Switch in -6 dB Setting

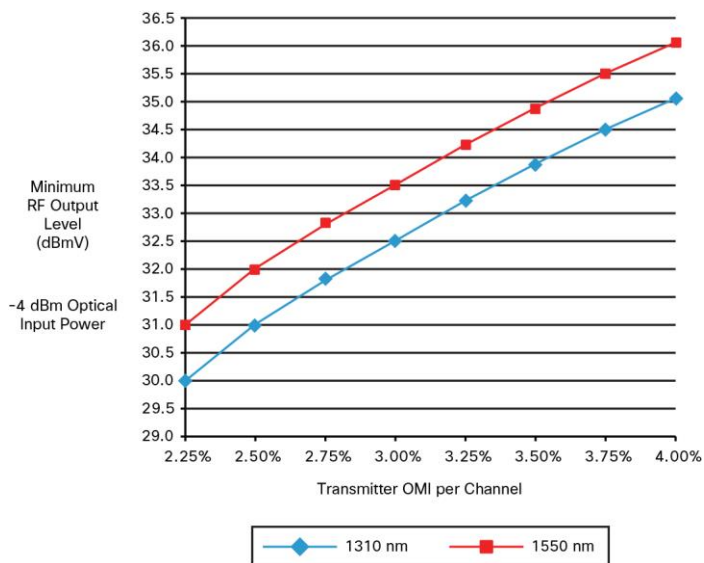


**Figure 8.** Standard Receiver RF Output Level Vs Transmitter OMI - Rx Switch in 0 dB Setting

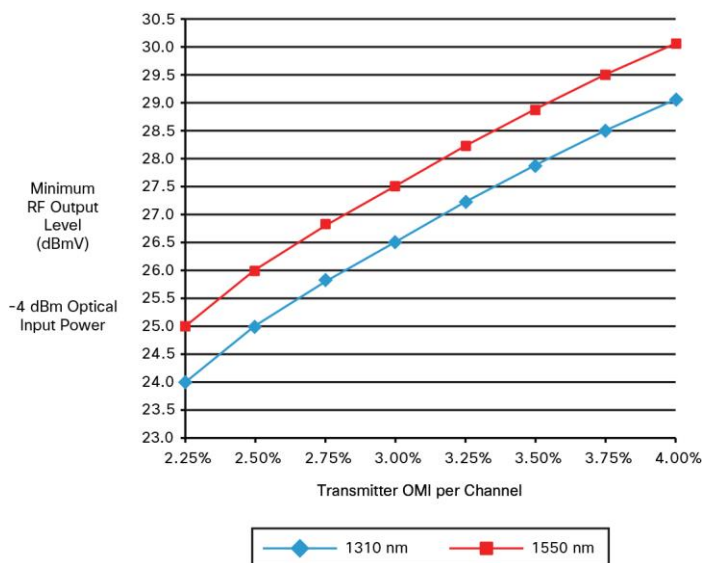




**Figure 9.** Low-Input Receiver RF Output Level Vs Transmitter OMI: Rx Switch in 0 dB Setting



**Figure 10.** Low-Input Receiver RF Output Level Vs Transmitter OMI: Rx Switch in -6 dB Setting



**Notes for Optical Section Specifications:**

1. Standard Receiver (Rx) has a 2-position RF attenuator switch (-6 dB and 0 dB). The -6 dB setting is used for greater than 0 to +2 dBm optical Rx power, the 0 dB setting is used for -3 to 0 dBm Rx power.
2. Low Input Receiver (Rx) has a 2-position RF attenuator switch (-6 dB and 0 dB). The -6 dB setting is used for greater than -4 to -1 dBm optical Rx power, the 0 dB setting is used for -6 to -4 dBm Rx power.
3. For forward receiver module only. Does not include frequency response contributions from forward optical transmitter.
4. Minimum receiver RF output level for the stated transmitter percent OMI/ch. (Optical Modulation Index per channel), with receiver optical input power of 0 dBm (Standard Rx), with receiver optical input power of -4 dBm (Low Input Rx) and specified Rx attenuator setting. To determine RF output levels at other optical input power, add (or subtract) 2 dB in RF level for each 1 dB increase (or decrease) in receiver optical input power.

For reverse optical transmitter and link performance, see the "Analog Reverse Optical Transmitters with Thermal Compensation" data sheet.

Unless otherwise noted, specifications reflect typical performance and are referenced to 68°F (20°C). Specifications are based upon measurements made in accordance with SCTE/ANSI standards (where applicable), using standard frequency assignments.

## RF Section Specifications

Tables 2, 3, and 4 list RF section specifications.

**Table 2.** RF Section General Station Performance

General Station Performance	Units	Forward	Reverse	Notes
Pass Band	MHz	105-1002	5-85	11
Input/Output Port Return Loss	dB	17	16	
Hum Modulation @ 12 A	dB	70 (105-870 MHz) 60 (870-1002 MHz)	60 (5-10 MHz) 70 (11-85 MHz)	
Hum Modulation @ 15 A	dB	65 (105-870 MHz) 60 (870-1002 MHz)	60 (5-10 MHz) 65 (11-85 MHz)	
Test Points ( $\pm 0.5$ dB)	dB	-20	-20	

**Table 3.** RF Section Forward Station Performance

Forward Station Performance	Units	15 dB I/S EQ w/0.5 dB I/S Pad	Notes	
Amplifier Type	-	GaAs FET		
Operational Gain (minimum)	dB	32	1, 11	
Frequency Response	dB	$\pm 0.5$	1	
Internal Tilt ( $\pm 1$ dB)	dB	13.7	1,2	
Port to Port Isolation - with Full Segmentation	dB	60 (105-750 MHz) 55 (751-1002 MHz)	1	
Port to Port Isolation - with Left/Right Segmentation	dB	65 (105-750 MHz) 55 (751-1002 MHz)	1	
Noise Figure @...	105 MHz 1002 MHz	dB	14.0 13.5	1
Reference Output Levels @...	1002 MHz 870 MHz 750 MHz 650 MHz 550 MHz 105 MHz	dBmV	49.5 47.5 45.7 44.0 42.5 35.8	
Reference Output Tilt (1051002 MHz)	dB	13.7	2,3	
<b>64 PAL B/G channels (CW) with digital</b>			<b>7</b>	
Composite Triple Beat	dB	79	4	
Cross Modulation	dB	69	4,10	
Composite Second Order (high side)	dB	70	4	
<b>64 PAL I channels (CW) with digital</b>			<b>8</b>	
Composite Beat	dB	72	4	
Cross Modulation	dB	68	4,10	

Unless otherwise noted, specifications reflect typical performance and are referenced to 68°F (20°C). Specifications are based upon measurements made in accordance with SCTE/ANSI standards (where applicable), using standard frequency assignments.

**42 CENELEC channels (CW)**

**9**

Forward Station Performance	Units	15 dB I/S EQ w/0.5 dB I/S Pad	Notes
Composite Triple Beat	dBuV	112.5	
Cross Modulation	dBuV	111	
Composite Second Order (high side)	dBuV	115	
<b>73 NTSC channels (CW) with digital</b>			<b>6</b>
Composite Triple Beat	dB	78	4
Cross Modulation	dB	68	4,10
Composite Second Order (high side)	dB	70	4

**Table 4.** RF Section Reverse Station Performance

Reverse Station Performance	Units	Reverse	Notes
Amplifier Type	-	GaAs FET	
Operational Gain (minimum)	dB	-2	5
Frequency Response	dB	± 0.5	5
Internal Tilt (+/- 1 dB)	dB	0	5
Path to Path Isolation	dB	55	5
Noise Figure	dB	7.5	5

**Notes:**

1. Forward performance is for station from output of optical Rx to node RF output port, with 0 dB pad in optical interface board (OIB), any forward configuration module, 0.5 dB interstage (I/S) pad, 15 dB linear I/S EQ, factory select output pad, and signal director jumper. Includes OIB losses.
2. Reference output tilt and internal tilt are both "Linear" tilt.
3. The forward reference output tilt specified is achieved via field installation of appropriate linear I/S EQ, in conjunction with the internal tilt of the launch amplifier and the tilt associated with the optical link (transmitter/receiver combination).
4. Stated distortion performance is for launch amplifier section operated at reference output levels and tilts. Full station performance can be determined by combining optic performance and launch amplifier performance.
5. Reverse performance is for station from reverse input port to input of reverse optical transmitter module, with 0 dB reverse input pad.
6. Loaded with 73 NTSC CW carriers from 115-550 MHz. "Digital" refers to 550 - 1002 MHz loading with QAM carriers at -6 dB relative to analog video carrier levels.
7. Loaded with 64 PAL B/G CW carriers from 112-600 MHz. "Digital" refers to 600 - 1002 MHz loading with QAM carriers at -6 dB relative to analog video carrier levels.
8. Loaded with 61 PAL I CW carriers from 112-600 MHz. "Digital" refers to 600 - 1002 MHz loading with QAM carriers at -6 dB relative to analog video carrier levels.
9. Tested per CENELEC Standard EN50083-3. RF output level is at 1002 MHz (forward).
10. X-mod (@ 15.75 kHz) specified using 100% synchronous modulation and frequency-selective measurement device.
11. The gain at 102 MHz is < 1.5 dB below the gain at 105 MHz. 102 to 105 MHz is recommended for out of band communication only. No video carriers should be used between 102 and 105 MHz.

**Other Specifications**

**Table 5.** Station Delay Characteristics

Station Delay Characteristics 85/105 MHz Split			
Forward (Chrominance to Luminance Delay)		Reverse (Group Delay in 1.5 MHz BW)	
Frequency (MHz)	Delay (nS)	Frequency (MHz)	Delay (nS)
109.25 - 112.83	6	5.0 - 6.5	35
115.25 - 118.83	4	6.5 - 8.0	15
121.25 - 124.83	2	8.0 - 9.5	7
		80.5 - 82.0	4
		82.0 - 83.5	5

Station Delay Characteristics 85/105 MHz Split			
Forward (Chrominance to Luminance Delay)		Reverse (Group Delay in 1.5 MHz BW)	
		83.5 - 85.0	7

**Table 6.** Electrical Power Specifications

Electrical	Units					Notes
Max. AC Through Current (continuous)	A	15				
Max. AC Through Current (surge)	A	25				
Component DC Power Consumption (typical)		@+24 VDC	@ +8 VDC	@ +5 VDC	@ -6 VDC	
Launch Amplifier (includes reverse amp)	A	2.8	0.4	0.5	-	
Status Monitoring Transponder	A	0.01	-	0.2	-	
GS7000 Low Current Optical Receiver	A	0.12	-	-	-	
Reverse Transmitter - High Gain FP	A	0.09	-	-	0.07	
Reverse Transmitter - High Gain DFB	A	0.09	-	-	0.09	
Power Supply DC Current Rating	A	6.20	0.90	1.30	0.80	

**Table 7.** Station Powering Data

Station Powering Data												
GS7000 Node	I DC (A at 24 VDC)		AC Voltage									
			90	85	80	75	70	65	60	55	50	45
with: 1 forward Rx, 1x4 forward config module, 1 reverse Tx, 4x1 reverse config module	2.95	AC Current (A)	1.4	1.4	1.4	1.5	1.5	1.6	1.7	1.8	2.0	2.2
		Power (W)	96.4	96.2	95.9	95.6	95.4	95.4	95.3	95.3	95.5	95.8
with: 4 forward Rx's, 4x4 forward config module, 4 reverse Tx's, 4x4 reverse config module	3.70	AC Current (A)	1.7	1.7	1.7	1.8	1.9	2.0	2.1	2.3	2.5	2.8
		Power (W)	121.5	121.1	120.8	120.6	120.6	120.5	120.5	120.7	120.9	121.0

Data is based on stations configured with status monitoring transponder. AC currents specified are based on measurements made with typical CATV type ferroresonant AC power supply (quasi-square wave).

DC supply has a fixed under-voltage lockout of 33 VAC.

**Table 8.** Environmental and Mechanical Specifications

Environmental	Units	
Operating Temperature Range	degrees	-40 - 140°F (-40 - 60°C)
Relative Humidity Range	percent	5% to 95%
Mechanical		
Housing Dimensions	Weight	
21.3 in. L x 11.6 in. H x 11.1 in. D (541 mm x 295 mm x 282 mm)	Station with 4 RX, 4 TX, 2 power supplies: 50.0 lbs. (22.7 kg)	

Unless otherwise noted, specifications reflect typical performance and are referenced to 68°F (20°C). Specifications are based upon measurements made in accordance with SCTE/ANSI standards (where applicable), using standard frequency assignments.

## Ordering Information

The GS7000 4-Way Segmentable Node is available in a wide variety of configurations. The desired configuration is “built” by accessing the Cisco Commerce Workspace tool at <https://cisco-apps.cisco.com/cisco/psn/commerce>. The user specifies the new Assemble To Order (ATO) Product ID for the GS7000 4-Way Segmentable Node “GS7K-OPT-NODE” and the tool steps through the available options, from which to choose. Services may also be selected during this process. Once all the desired options are selected, the configuration and price are displayed. When the “Done” radio button is clicked, the configuration can be exported and saved for future use or immediate ordering.

This page contains ordering information for required and optional accessories. Please consult with your Account Representative, Customer Service Representative, or Applications Engineer to determine the best configuration for your particular application.

**Table 9.** Cisco GS7000 Node Accessories

Required Accessories	Part Number
Plug-in Pads (attenuators) - Available in 0.5 dB steps from 0 to 20 dB <ul style="list-style-type: none"> <li>• 1 required for each Optical Receiver Module installed in the node (for Optical Interface Board)</li> <li>• 1 required for each Optical Transmitter Module installed in the node (for Optical Interface Board)</li> <li>• 1 required for each Reverse input path activated (for Launch Amplifier)</li> </ul>	589693 (0 dB) sequentially thru 589734 (20.5dB)
Optional Accessories	
Plug-in Forward Linear Equalizers - Available in 1.5 dB steps from 0 to 21 dB. <ul style="list-style-type: none"> <li>• Node shipped with 15 dB Linear Equalizers (4)* installed for 14.5 dB of tilt to 1002 MHz (4008787)</li> </ul>	4007228 (0 dB) see table below
Plug-in Signal Directors - 2 required Node shipped with Jumpers installed to activate 4 RF output ports <ul style="list-style-type: none"> <li>• Optional 2-Way Splitters are required to activate 5 or 6 RF output ports</li> </ul>	4011907 4011908

**Note:** Configured nodes ship without reverse input pads and any of the pads on the OIB. All other standard accessories are shipped from the factory. Forward Launch Amplifier attenuator pads, (4) 15 dB linear EQs, and (2) signal director jumpers are shipped with every configured node.

**Table 10.** Cisco GS7000 Forward Components

Cisco GS7000 Forward Components	Part Number on Module	Part Number for Ordering
<b>GS7000 Forward Launch Amplifiers</b>		
Node Launch Amplifier, 4-way forward segmentation, 85/102 MHz split	GS7K-LA-85105	GS7K-LA-85105=
<b>GS7000 Forward Configuration Modules</b>		
Forward Configuration Module, 1x4	4019273	4019283
Forward Configuration Module, 1x4 Redundant	4019275	4019284
Forward Configuration Module, 1x4, Forward RF Injection, Redundant	4022272	4022270
Forward Configuration Module, 2x4	4019277	4019285
Forward Configuration Module, 2x4 Redundant	4019279	4019286
Forward Configuration Module, 3x4, RX 1,3,4	4024784	4024783
Forward Configuration Module, 3x4, RX 1,2,4	4024786	4024785
Forward Configuration Module, 4x4	4019281	4019287
<b>Forward Linear Equalizers</b>		
0 dB 1GHz Forward Linear EQ	-	4007228
1.5 dB 1GHz Forward Linear EQ	-	4008778
3.0 dB 1GHz Forward Linear EQ	-	4008779

Cisco GS7000 Forward Components	Part Number on Module	Part Number for Ordering
4.5 dB 1GHz Forward Linear EQ	-	4008780
6.0 dB 1GHz Forward Linear EQ	-	4008781
7.5 dB 1GHz Forward Linear EQ	-	4008782
9.0 dB 1GHz Forward Linear EQ	-	4008783
10.5 dB 1GHz Forward Linear EQ	-	4008784
12.0 dB 1GHz Forward Linear EQ	-	4008785
13.5 dB 1GHz Forward Linear EQ	-	4008786
15.0 dB 1GHz Forward Linear EQ	-	4008787
16.5 dB 1GHz Forward Linear EQ	-	4019258
18.0 dB 1GHz Forward Linear EQ	-	4019259
19.5 dB 1GHz Forward Linear EQ	-	4019260
21.0 dB 1GHz Forward Linear EQ	-	4019261
<b>GS7000 Node Signal Directors</b>		
Node Signal Director Jumper	4009369	4011907
Node Signal Director Splitter	4009371	4011908
<b>GS7000 Forward Optical Receivers</b>		
Optical Receiver, SCA connector	4022468	4013593
Standard Optical Receiver, SCU connector	4022469	4013594
Standard Optical Receiver, FCA connector	4022470	4013595
Low Input Optical Receiver, SCA connector	GS7K-LIRX-SA	GS7K-LIRX-SA=
Low Input Optical Receiver, FCA connector	GS7K-LIRX-FC	GS7K-LIRX-FC=
<b>GS7000 Forward Local Injection Module Kit (does not include FCM)</b>		
Forward Local Injection Module	-	4013575

**Table 11.** Cisco GS7000 Reverse Amplifiers and Configuration Modules

GS7000 Reverse Configuration Modules	Part Number on Module	Part Number for Ordering
Reverse Configuration Module, 4x1, Aux Reverse RF Injection	4014282	4011918
Reverse Configuration Module, 4x1, Redundant	4009066	4011919
Reverse Configuration Module, 4x2, Aux Reverse RF Injection	4014285	4011920
Reverse Configuration Module, 4x2, Aux Reverse RF Injection	4014286	4014300
Reverse Configuration Module, 4x2, Redundant	4009076	4011921
Reverse Configuration Module, 4x3, TX 1,3,4	4024788	4024787
Reverse Configuration Module, 4x3, TX 1,2,4	4024791	4024790
Reverse Configuration Module, 4x4, Aux Reverse RF Injection	4014289	4011922
<b>GS7000 1310 nm Reverse Optical Transmitters</b>		
3 dBm, DFB, High Gain, Analog, SC/APC	4013900.1310	4011952
3 dBm, DFB, High Gain, Analog, SC/UPC	4013901.1310	4011953
3 dBm, DFB, High Gain, Analog, FC/APC	4013902.1310	4011954

**Table 12.** Cisco GS700 CWDM Reverse Optical Transmitters

GS7000 CWDM Reverse Optical Transmitters	Part Number on Module	Part Number for Ordering
3 dBm, CWDM High Gain, 1470 nm, Analog, SC/APC	4013900.1470	4011955
3 dBm, CWDM High Gain, 1490 nm, Analog, SC/APC	4013900.1490	4011956



GS7000 CWDM Reverse Optical Transmitters	Part Number on Module	Part Number for Ordering
3 dBm, CWDM High Gain, 1510 nm, Analog, SC/APC	4013900.1510	4011957
3 dBm, CWDM High Gain, 1530 nm, Analog, SC/APC	4013900.1530	4011961
3 dBm, CWDM High Gain, 1550 nm, Analog, SC/APC	4013900.1550	4011965
3 dBm, CWDM High Gain, 1570 nm, Analog, SC/APC	4013900.1570	4011966
3 dBm, CWDM High Gain, 1590 nm, Analog, SC/APC	4013900.1590	4011967
3 dBm, CWDM High Gain, 1610 nm, Analog, SC/APC	4013900.1610	4011968
3 dBm, CWDM High Gain, 1470 nm, Analog, SC/UPC	4013901.1470	4011969
3 dBm, CWDM High Gain, 1490 nm, Analog, SC/UPC	4013901.1490	4011970
3 dBm, CWDM High Gain, 1510 nm, Analog, SC/UPC	4013901.1510	4011974
3 dBm, CWDM High Gain, 1530 nm, Analog, SC/UPC	4013901.1530	4011975
3 dBm, CWDM High Gain, 1550 nm, Analog, SC/UPC	4013901.1550	4011976
3 dBm, CWDM High Gain, 1570 nm, Analog, SC/UPC	4013901.1570	4011977
3 dBm, CWDM High Gain, 1590 nm, Analog, SC/UPC	4013901.1590	4013218
3 dBm, CWDM High Gain, 1610 nm, Analog, SC/UPC	4013901.1610	4013299
3 dBm, CWDM High Gain, 1470 nm, Analog, FC/APC	4013902.1470	4013542
3 dBm, CWDM High Gain, 1490 nm, Analog, FC/APC	4013902.1490	4013543
3 dBm, CWDM High Gain, 1510 nm, Analog, FC/APC	4013902.1510	4013544
3 dBm, CWDM High Gain, 1530 nm, Analog, FC/APC	4013902.1530	4013545
3 dBm, CWDM High Gain, 1550 nm, Analog, FC/APC	4013902.1550	4013546
3 dBm, CWDM High Gain, 1590 nm, Analog, FC/APC	4013902.1590	4013548
3 dBm, CWDM High Gain, 1610 nm, Analog, FC/APC	4013902.1610	4013549

**Table 13.** Cisco GS7000 DWDM Reverse Optical Transmitters

GS7000 DWDM Reverse Optical Transmitters	Part Number on Module	Part Number for Ordering
7 dBm, DWDM, ITU Grid, CH. 19, 1562.23 nm, Analog, SC/APC	4022938.19	4022938.19
7 dBm, DWDM, ITU Grid, CH. 20, 1561.42 nm, Analog, SC/APC	4022938.20	4022938.20
7 dBm, DWDM, ITU Grid, CH. 21, 1560.61 nm, Analog, SC/APC	4022938.21	4022938.21
7 dBm, DWDM, ITU Grid, CH. 22, 1559.79 nm, Analog, SC/APC	4022938.22	4022938.22
7 dBm, DWDM, ITU Grid, CH. 23, 1558.98 nm, Analog, SC/APC	4022938.23	4022938.23
7 dBm, DWDM, ITU Grid, CH. 24, 1558.17 nm, Analog, SC/APC	4022938.24	4022938.24
7 dBm, DWDM, ITU Grid, CH. 25, 1557.36 nm, Analog, SC/APC	4022938.25	4022938.25
7 dBm, DWDM, ITU Grid, CH. 26, 1556.55 nm, Analog, SC/APC	4022938.26	4022938.26
7 dBm, DWDM, ITU Grid, CH. 27, 1555.75 nm, Analog, SC/APC	4022938.27	4022938.27
7 dBm, DWDM, ITU Grid, CH. 28, 1554.94 nm, Analog, SC/APC	4022938.28	4022938.28
7 dBm, DWDM, ITU Grid, CH. 29, 1554.13 nm, Analog, SC/APC	4022938.29	4022938.29
7 dBm, DWDM, ITU Grid, CH. 30, 1553.33 nm, Analog, SC/APC	4022938.30	4022938.30
7 dBm, DWDM, ITU Grid, CH. 31, 1552.52 nm, Analog, SC/APC	4022938.31	4022938.31
7 dBm, DWDM, ITU Grid, CH. 32, 1551.72 nm, Analog, SC/APC	4022938.32	4022938.32
7 dBm, DWDM, ITU Grid, CH. 33, 1550.92 nm, Analog, SC/APC	4022938.33	4022938.33
7 dBm, DWDM, ITU Grid, CH. 34, 1550.12 nm, Analog, SC/APC	4022938.34	4022938.34
7 dBm, DWDM, ITU Grid, CH. 35, 1549.32 nm, Analog, SC/APC	4022938.35	4022938.35
7 dBm, DWDM, ITU Grid, CH. 36, 1548.51 nm, Analog, SC/APC	4022938.36	4022938.36
7 dBm, DWDM, ITU Grid, CH. 37, 1547.72 nm, Analog, SC/APC	4022938.37	4022938.37

GS7000 DWDM Reverse Optical Transmitters	Part Number on Module	Part Number for Ordering
7 dBm, DWDM, ITU Grid, CH. 38, 1546.92 nm, Analog, SC/APC	4022938.38	4022938.38
7 dBm, DWDM, ITU Grid, CH. 39, 1546.12 nm, Analog, SC/APC	4022938.39	4022938.39
7 dBm, DWDM, ITU Grid, CH. 40, 1545.32 nm, Analog, SC/APC	4022938.40	4022938.40
7 dBm, DWDM, ITU Grid, CH. 41, 1544.53 nm, Analog, SC/APC	4022938.41	4022938.41
7 dBm, DWDM, ITU Grid, CH. 42, 1543.73 nm, Analog, SC/APC	4022938.42	4022938.42
7 dBm, DWDM, ITU Grid, CH. 43, 1542.94 nm, Analog, SC/APC	4022938.43	4022938.43
7 dBm, DWDM, ITU Grid, CH. 44, 1542.14 nm, Analog, SC/APC	4022938.44	4022938.44
7 dBm, DWDM, ITU Grid, CH. 45, 1541.35 nm, Analog, SC/APC	4022938.45	4022938.45
7 dBm, DWDM, ITU Grid, CH. 46, 1540.56 nm, Analog, SC/APC	4022938.46	4022938.46
7 dBm, DWDM, ITU Grid, CH. 47, 1539.77 nm, Analog, SC/APC	4022938.47	4022938.47
7 dBm, DWDM, ITU Grid, CH. 48, 1538.98 nm, Analog, SC/APC	4022938.48	4022938.48
7 dBm, DWDM, ITU Grid, CH. 49, 1538.19 nm, Analog, SC/APC	4022938.49	4022938.49
7 dBm, DWDM, ITU Grid, CH. 50, 1537.40 nm, Analog, SC/APC	4022938.50	4022938.50
7 dBm, DWDM, ITU Grid, CH. 51, 1536.61 nm, Analog, SC/APC	4022938.51	4022938.51
7 dBm, DWDM, ITU Grid, CH. 52, 1535.82 nm, Analog, SC/APC	4022938.52	4022938.52
7 dBm, DWDM, ITU Grid, CH. 53, 1535.04 nm, Analog, SC/APC	4022938.53	4022938.53
7 dBm, DWDM, ITU Grid, CH. 54, 1534.25 nm, Analog, SC/APC	4022938.54	4022938.54
7 dBm, DWDM, ITU Grid, CH. 55, 1533.47 nm, Analog, SC/APC	4022938.55	4022938.55
7 dBm, DWDM, ITU Grid, CH. 56, 1532.68 nm, Analog, SC/APC	4022938.56	4022938.56
7 dBm, DWDM, ITU Grid, CH. 57, 1531.90 nm, Analog, SC/APC	4022938.57	4022938.57
7 dBm, DWDM, ITU Grid, CH. 58, 1531.12 nm, Analog, SC/APC	4022938.58	4022938.58
7 dBm, DWDM, ITU Grid, CH. 59, 1530.33 nm, Analog, SC/APC	4022938.59	4022938.59

**Table 14.** Cisco GS7000 EDR CWDM Reverse Optical Transmitters

GM EDR CWDM Reverse Optical Transmitter and OPMs	Part Number Module	Part Number for Ordering
<b>Digital 1:1 EDR CWDM Transmitters</b>		
EDR GS1185 Tx module	800-4042188-01	4042873
EDR 1:1 Tx OPM CWDM-1270	10-1022072-01	4042868.1270
EDR 1:1 Tx OPM CWDM-1290	10-1022073-01	4042868.1290
EDR 1:1 Tx OPM CWDM-1310	10-1022074-01	4042868.1310
EDR 1:1 Tx OPM CWDM-1330	10-1022075-01	4042868.1330
EDR 1:1 Tx OPM CWDM-1350	10-1022076-01	4042868.1350
EDR 1:1 Tx OPM CWDM-1370	10-1022077-01	4042868.1370
EDR 1:1 Tx OPM CWDM-1390	10-1022078-01	4042868.1390
EDR 1:1 Tx OPM CWDM-1410	10-1022079-01	4042868.1410
EDR 1:1 Tx OPM CWDM-1430	10-1022080-01	4042868.1430
EDR 1:1 Tx OPM CWDM-1450	10-1022081-01	4042868.1450
EDR 1:1 Tx OPM CWDM-1470	10-1022082-01	4042868.1470
EDR 1:1 Tx OPM CWDM-1490	10-1022083-01	4042868.1490
EDR 1:1 Tx OPM CWDM-1510	10-1022084-01	4042868.1510
EDR 1:1 Tx OPM CWDM-1530	10-1022085-01	4042868.1530
<b>Digital 1:1 EDR CWDM Transmitters</b>		
EDR 1:1 Tx OPM CWDM-1550	10-1022086-01	4042868.1550

GM EDR CWDM Reverse Optical Transmitter and OPMs	Part Number Module	Part Number for Ordering
EDR 1:1 Tx OPM CWDM-1570	10-1022087-01	4042868.1570
EDR 1:1 Tx OPM CWDM-1590	10-1022088-01	4042868.1590
EDR 1:1 Tx OPM CWDM-1610	10-1022089-01	4042868.1610
<b>Digital 2:1 EDR CWDM Transmitters</b>		
EDR GS2185 Tx module	800-4042904 -01	4042877
EDR 2:1 Tx OPM CWDM-1270	10-1022058-01	4042871.1270
EDR 2:1 Tx OPM CWDM-1290	10-1022059-01	4042871.1290
EDR 2:1 Tx OPM CWDM-1310	10-1022060-01	4042871.1310
EDR 2:1 Tx OPM CWDM-1330	10-1022061-01	4042871.1330
EDR 2:1 Tx OPM CWDM-1350	10-1022062-01	4042871.1350
EDR 2:1 Tx OPM CWDM-1370	10-1022008-01	4042871.1370
EDR 2:1 Tx OPM CWDM-1390	10-1022063-01	4042871.1390
EDR 2:1 Tx OPM CWDM-1410	10-1022064-01	4042871.1410
EDR 2:1 Tx OPM CWDM-1430	10-1022065-01	4042871.1430
EDR 2:1 Tx OPM CWDM-1450	10-1022066-01	4042871.1450
EDR 2:1 Tx OPM CWDM-1470	10-1022067-01	4042871.1470
EDR 2:1 Tx OPM CWDM-1490	10-1022009-01	4042871.1490
EDR 2:1 Tx OPM CWDM-1510	10-1022010-01	4042871.1510
EDR 2:1 Tx OPM CWDM-1530	10-1022068-01	4042871.1530
EDR 2:1 Tx OPM CWDM-1550	10-1022011-01	4042871.1550
EDR 2:1 Tx OPM CWDM-1570	10-1022069-01	4042871.1570
EDR 2:1 Tx OPM CWDM-1590	10-1022012-01	4042871.1590
EDR 2:1 Tx OPM CWDM-1610	10-1022070-01	4042871.1610

**Table 15.** Cisco GS7000 EDR DWDM Reverse Optical Transmitters

GM EDR DWDM Reverse Optical Transmitter OPMs	Part Number on Tx Module	Part Number for Ordering
<b>Digital 1:1 EDR DWDM Transmitter OPMs</b>		
EDR GS1185 Tx module	800-4042188-01	4042873
EDR 1:1 TX OPM DWDM-17	10-1022090-01	4042869.17
EDR 1:1 TX OPM DWDM-18	10-1022091-01	4042869.18
EDR 1:1 TX OPM DWDM-19	10-1022092-01	4042869.19
EDR 1:1 TX OPM DWDM-20	10-1022093-01	4042869.20
EDR 1:1 TX OPM DWDM-21	10-1022094-01	4042869.21
EDR 1:1 TX OPM DWDM-22	10-1022095-01	4042869.22
EDR 1:1 TX OPM DWDM-23	10-1022096-01	4042869.23
EDR 1:1 TX OPM DWDM-24	10-1022097-01	4042869.24
EDR 1:1 TX OPM DWDM-25	10-1022098-01	4042869.25
EDR 1:1 TX OPM DWDM-26	10-1022099-01	4042869.26
EDR 1:1 TX OPM DWDM-27	10-1022100-01	4042869.27
EDR 1:1 TX OPM DWDM-28	10-1022101-01	4042869.28
EDR 1:1 TX OPM DWDM-29	10-1022102-01	4042869.29
EDR 1:1 TX OPM DWDM-30	10-1022103-01	4042869.30
<b>Digital 1:1 EDR DWDM Transmitter OPMs</b>		
EDR 1:1 TX OPM DWDM-31	10-1022104-01	4042869.31

GM EDR DWDM Reverse Optical Transmitter OPMs	Part Number on Tx Module	Part Number for Ordering
EDR 1:1 TX OPM DWDM-32	10-1022105-01	4042869.32
EDR 1:1 TX OPM DWDM-33	10-1022106-01	4042869.33
EDR 1:1 TX OPM DWDM-34	10-1022107-01	4042869.34
EDR 1:1 TX OPM DWDM-35	10-1022108-01	4042869.35
EDR 1:1 TX OPM DWDM-36	10-1022109-01	4042869.36
EDR 1:1 TX OPM DWDM-37	10-1022110-01	4042869.37
EDR 1:1 TX OPM DWDM-38	10-1022111-01	4042869.38
EDR 1:1 TX OPM DWDM-39	10-1022112-01	4042869.39
EDR 1:1 TX OPM DWDM-40	10-1022113-01	4042869.40
EDR 1:1 TX OPM DWDM-41	10-1022114-01	4042869.41
EDR 1:1 TX OPM DWDM-42	10-1022115-01	4042869.42
EDR 1:1 TX OPM DWDM-43	10-1022116-01	4042869.43
EDR 1:1 TX OPM DWDM-44	10-1022117-01	4042869.44
EDR 1:1 TX OPM DWDM-45	10-1022118-01	4042869.45
EDR 1:1 TX OPM DWDM-46	10-1022119-01	4042869.46
EDR 1:1 TX OPM DWDM-47	10-1022120-01	4042869.47
EDR 1:1 TX OPM DWDM-48	10-1022121-01	4042869.48
EDR 1:1 TX OPM DWDM-49	10-1022122-01	4042869.49
EDR 1:1 TX OPM DWDM-50	10-1022123-01	4042869.50
EDR 1:1 TX OPM DWDM-51	10-1022124-01	4042869.51
EDR 1:1 TX OPM DWDM-52	10-1022125-01	4042869.52
EDR 1:1 TX OPM DWDM-53	10-1022126-01	4042869.53
EDR 1:1 TX OPM DWDM-54	10-1022127-01	4042869.54
EDR 1:1 TX OPM DWDM-55	10-1022128-01	4042869.55
EDR 1:1 TX OPM DWDM-56	10-1022129-01	4042869.56
EDR 1:1 TX OPM DWDM-57	10-1022130-01	4042869.57
EDR 1:1 TX OPM DWDM-58	10-1022131-01	4042869.58
EDR 1:1 TX OPM DWDM-59	10-1022132-01	4042869.59
EDR 1:1 TX OPM DWDM-60	10-1022133-01	4042869.60
EDR 1:1 TX OPM DWDM-61	10-1022134-01	4042869.61
<b>Digital 2:1 EDR DWDM Transmitter OPMs</b>		
EDR GS2185 Tx module	800-4042904 -01	4042877
EDR 2:1 TX OPM DWDM-17	10-1022013-01	4042872.17
EDR 2:1 TX OPM DWDM-18	10-1022014-01	4042872.18
EDR 2:1 TX OPM DWDM-19	10-1022015-01	4042872.19
EDR 2:1 TX OPM DWDM-20	10-1022016-01	4042872.20
EDR 2:1 TX OPM DWDM-21	10-1022017-01	4042872.21
EDR 2:1 TX OPM DWDM-22	10-1022018-01	4042872.22
EDR 2:1 TX OPM DWDM-23	10-1022019-01	4042872.23
EDR 2:1 TX OPM DWDM-24	10-1022020-01	4042872.24
EDR 2:1 TX OPM DWDM-25	10-1022021-01	4042872.25
EDR 2:1 TX OPM DWDM-26	10-1022022-01	4042872.26

GM EDR DWDM Reverse Optical Transmitter OPMs	Part Number on Tx Module	Part Number for Ordering
<b>Digital 2:1 EDR DWDM Transmitter OPMs</b>		
EDR 2:1 TX OPM DWDM-27	10-1022023-01	4042872.27
EDR 2:1 TX OPM DWDM-28	10-1022024-01	4042872.28
EDR 2:1 TX OPM DWDM-29	10-1022025-01	4042872.29
EDR 2:1 TX OPM DWDM-30	10-1022026-01	4042872.30
EDR 2:1 TX OPM DWDM-31	10-1022027-01	4042872.31
EDR 2:1 TX OPM DWDM-32	10-1022028-01	4042872.32
EDR 2:1 TX OPM DWDM-33	10-1022029-01	4042872.33
EDR 2:1 TX OPM DWDM-34	10-1022030-01	4042872.34
EDR 2:1 TX OPM DWDM-35	10-1022031-01	4042872.35
EDR 2:1 TX OPM DWDM-36	10-1022032-01	4042872.36
EDR 2:1 TX OPM DWDM-37	10-1022033-01	4042872.37
EDR 2:1 TX OPM DWDM-38	10-1022034-01	4042872.38
EDR 2:1 TX OPM DWDM-39	10-1022035-01	4042872.39
EDR 2:1 TX OPM DWDM-40	10-1022036-01	4042872.40
EDR 2:1 TX OPM DWDM-41	10-1022037-01	4042872.41
EDR 2:1 TX OPM DWDM-42	10-1022038-01	4042872.42
EDR 2:1 TX OPM DWDM-43	10-1022039-01	4042872.43
EDR 2:1 TX OPM DWDM-44	10-1022040-01	4042872.44
EDR 2:1 TX OPM DWDM-45	10-1022041-01	4042872.45
EDR 2:1 TX OPM DWDM-46	10-1022042-01	4042872.46
EDR 2:1 TX OPM DWDM-47	10-1022043-01	4042872.47
EDR 2:1 TX OPM DWDM-48	10-1022044-01	4042872.48
EDR 2:1 TX OPM DWDM-49	10-1022045-01	4042872.49
EDR 2:1 TX OPM DWDM-50	10-1022046-01	4042872.50
EDR 2:1 TX OPM DWDM-51	10-1022047-01	4042872.51
EDR 2:1 TX OPM DWDM-52	10-1022048-01	4042872.52
EDR 2:1 TX OPM DWDM-53	10-1022049-01	4042872.53
EDR 2:1 TX OPM DWDM-54	10-1022050-01	4042872.54
EDR 2:1 TX OPM DWDM-55	10-1022051-01	4042872.55
EDR 2:1 TX OPM DWDM-56	10-1022052-01	4042872.56
EDR 2:1 TX OPM DWDM-57	10-1022053-01	4042872.57
EDR 2:1 TX OPM DWDM-58	10-1022054-01	4042872.58
EDR 2:1 TX OPM DWDM-59	10-1022055-01	4042872.59
EDR 2:1 TX OPM DWDM-60	10-1022056-01	4042872.60
EDR 2:1 TX OPM DWDM-61	10-1022057-01	4042872.61

**Table 16.** Cisco GS7000 Additional Components

Cisco GS7000 Additional Components	Part Number on Module	Part Number for Ordering
<b>Optical Interface Board</b>		
8-position Optical Interface Board, 4Rx/4Tx	4023056	4011927
<b>Power Supply</b>		
Node Power Supply	4009226	4011930

Cisco GS7000 Additional Components	Part Number on Module	Part Number for Ordering
<b>Local Control Modules and Status Monitoring Modules (with USB interface)</b>		
Local Control Module (LCM)	4027113	4027114
EDR Local Control Module (EDR/LCM)	-	4044102
Status Monitoring Module: DOCSIS	-	4036793
<b>Test Point Cable Kit</b>		
Test Point Cable Kit, (includes the 6 cables required to enable GS7000 housing external test points)	4016084	4013568
<b>Optical Fiber Tray Kit</b>		
Standard Fiber Tray	-	4042908
Expanded Fiber Tray (additional fiber handling/routing capacity), without brackets, SCA	-	4057377
Expanded Fiber Tray (additional fiber handling/routing capacity), with brackets, SCA	-	4026885
Expanded Fiber Tray (additional fiber handling/routing capacity), with brackets, SCU	-	4028274
Expanded Fiber Tray Brackets Only	-	4027000
<b>Housings</b>		
GS7000 Node Housing, empty	-	4009045
GS7000 Node Housing, Expanded Tray, SCA	-	4027378
GS7000 Node Housing, Expanded Tray, SCU	-	4028275
GS7000 Node Housing, Standard Tray	-	4012095
<b>Optical Fiber Tray Kit</b>		
Standard Fiber Tray	-	4027376
Expanded Fiber Tray (additional fiber handling and routing capacity): includes brackets for passives and 4 SC APC bulkheads	-	4026885
Expanded Fiber Tray (additional fiber handling and routing capacity): includes brackets for passives and 4 SC UPC bulkheads	-	4028274
Brackets for passives used in Expanded Fiber Tray	-	4027000
SC APC bulkheads, package of 10	-	4027740
SC UPC bulkheads, package of 10	-	4027741



---

**Cisco Systems, Inc.**  
**1 800 722-2009 or 678 277-1120**  
<http://www.cisco.com>



---

**Americas Headquarters**  
Cisco Systems, Inc.  
San Jose, CA

**Asia Pacific Headquarters**  
Cisco Systems (USA) Pte. Ltd.  
Singapore

**Europe Headquarters**  
Cisco Systems International BV Amsterdam,  
The Netherlands

Cisco has more than 200 offices worldwide. Addresses, phone numbers, and fax numbers are listed on the Cisco Website at [www.cisco.com/go/offices](http://www.cisco.com/go/offices).

Cisco and the Cisco logo are trademarks or registered trademarks of Cisco and/or its affiliates in the U.S. and other countries. To view a list of Cisco trademarks, go to this URL: [www.cisco.com/go/trademarks](http://www.cisco.com/go/trademarks). Third party trademarks mentioned are the property of their respective owners. The use of the word partner does not imply a partnership relationship between Cisco and any other company. (1110R)