

Cisco Catalyst 9400 Series Switch Architecture

Contents

Introduction	3
Platform overview	3
Chassis overview	7
Chassis design	8
Chassis power	9
Power supply unit	9
Chassis cooling	10
Chassis airflow	11
Baseboard components	12
UADP ASIC	13
x86 CPU complex	16
ASIC interconnect	17
Front panel interfaces	18
Supported line cards per Supervisor	29
External Storage	29
Flexible ASIC Templates	30
Custom ASIC Templates	31
Packet walks	32
Conclusion	35
References	35

Introduction

Enterprise campus networks are undergoing profound changes to support ever-increasing bandwidth demands on the access layer while moving toward supporting Wi-Fi 6 (802.11ax) and the rapid growth of powerful endpoints. With access layer bandwidth moving from 1 Gbps to 2.5 and 5 Gbps speeds, higher bandwidth such as 25 and 100 Gbps will become the de facto speeds to maintain a similar over-subscription ratio.

Cisco® Catalyst® 9400 Series switches are the foundation of Cisco's next-generation enterprise-class access and distribution layer solutions. These are high-end modular switches that come in 4, 7, and 10 slot chassis variations. They deliver exceptional table scales (MAC, route, and Access Control Lists [ACL]) and buffering capabilities for enterprise applications. The switching capacity can go up to 9.6 Terabits per second (Tbps) and up to 3 Billion packets per second (Bpps) of forwarding performance for all chassis. The platform offers nonblocking 40/100 Gigabit Ethernet (GE) Quad Small Form-Factor Pluggable (QSFP), 25 GE Small Form-Factor Pluggable 28 (SFP28), 10 GE Enhanced Small Form-Factor Pluggable (SFP+) and up to 10 Gbps Multigigabit copper ports with granular port densities per module that meet diverse campus needs.

This white paper provides an architectural overview of the Cisco Catalyst 9400 Series chassis, including system design, power, cooling, and storage options.

Platform overview

The Cisco Catalyst 9400 platform is a modular switch built based on the Cisco Unified Access™ Data Plane (UADP) 3.0sec and 2.0 XL architecture, which not only protects your investment but also allows a larger scale and higher throughput (Figure 1). The platform runs on the modern modular, open Cisco IOS® XE operating system, which supports model-driven programmability, has the capacity to host containers with support for up to 1 TB of SSD storage, and can run third-party applications like Docker™ apps and scripts natively within the switch (by virtue of the x86 CPU architecture, local storage, and a higher memory footprint). The modern operating system offers enhanced high availability features like In-Service Software Upgrade (ISSU), Software Maintenance Upgrades (SMU) and StackWise® Virtual Technology. Improved high availability is added also via platinum-efficient, dual redundant power supplies as well as variable-speed highly efficient redundant fans. In addition, Cisco Catalyst 9400 Series platforms are:

- EANTC certified
- NEBS 2 compliant design which makes them appropriate for variety of enterprise environments like cruise ship, aircrafts or colo locations which has strict NEBS requirements
- Provide up to 90W Power Over Ethernet (PoE) based on IEEE 802.1bt standard on up to 260 ports simultaneously



Figure 1.
Cisco Catalyst 9400 Series

Chassis come in three types, with 4, 7 or 10 slots. Every chassis offers two slots that are dedicated for supervisors only and work in redundant mode. The backplane on every chassis is passive which brings the following benefits:

- Lower power consumption
- Higher MTBF
- Fan-Tray, Power supplies and Line cards are Field Replaceable Unit (FRU) and they can be replaced non-disruptively

Supervisors come in five types:

- Cisco Catalyst Supervisor Engine-2XL (Sup-2XL) (Figure 2)
- Cisco Catalyst Supervisor Engine-2 (Sup-2)
- Cisco Catalyst Supervisor Engine-1XL (Sup-1XL)
- Cisco Catalyst Supervisor Engine-1XL-Y (Sup-1XL-Y) (Figure 3)
- Cisco Catalyst Supervisor Engine-1 (Sup-1)

Sup-2/2XL supervisor ports are distributed with four 1/10/25 Gbps + three 40/100G or four 40/100 Gbps. A different combination of uplink ports is also supported.



Figure 2.
Sup-2XL module with 4x1/10/25-Gbps and 4x40/100-Gbps uplinks

Sup-1/1XL/1XL-Y supervisor ports are distributed with eight 1/10 Gbps or two 25 Gbps (Sup-1XL-Y only) and two 40 Gbps. A different combination of uplink ports is also supported. Sup-1XL-Y does not support MACsec on supervisor ports.



Figure 3.
Sup-1XL-Y module with 8x1/10G, 2x25/40G uplinks

Copper line cards offer the port density shown in Figure 4.




 <p>48x 10/100/1000M data</p> <p>RJ-45 (data) 48x 10/100/1000M TrustSec® and MACsec-256</p>	 <p>48x 10/100/1000M PoE, PoE+</p> <p>RJ-45 (Cisco UPOE®) 48x 10/100/1000M PoE, PoE+ TrustSec and MACsec-256</p>	 <p>48x 10/100/1000M PoE, PoE+, UPOE®, UPOE+ (802.3bt)</p> <p>RJ-45 (UPOE+/802.3bt) 48x 10/100/1000M PoE, PoE+, UPOE, UPOE+ (802.3bt) TrustSec and MACsec-256</p>
---	--	--

Figure 4.
Copper line cards

MultiGigabit line cards offer the port density shown in Figure 5.





 <p>48x 10G Multigigabit UPOE+</p> <p>RJ-45 Multigigabit 48x 100M/1G/2.5G/5G/10G PoE/POE+/UPOE/UPOE+ 802.3bt Type 4 TrustSec and MACsec-256</p>	 <p>48x 5G Multigigabit UPOE+</p> <p>RJ-45 Multigigabit 48x 100M/1G/2.5G/5G PoE/PoE+/UPOE/UPOE+ 802.3bt Type 4 TrustSec and MACsec-256</p>	 <p>24x 1G 24x 10G Multigigabit UPOE</p> <p>RJ-45 Multigigabit 24x 10M/100M/1000M+ 24x 100M/1G/2.5G/5G/10G PoE/PoE+/Cisco UPOE TrustSec and MACsec-256</p>	 <p>48x 10G Multigigabit Data</p> <p>RJ-45 Multigigabit 48x 100M/1G/2.5G/5G/10G TrustSec and MACsec-256</p>
---	--	---	---

Figure 5.
MultiGigabit line cards

Fiber line cards offer port density shown in Figure 6.



Figure 6.
Fiber line cards

Chassis overview

This section briefly describes the highlights of the Cisco Catalyst 9400 Series chassis:

The power supplies are “Platinum efficient” [90% or more efficient] or “Titanium efficient” [92% or more efficient].

Fan tray with N+1 redundancy and flexible options to serve the fan from the front or back (Figure 7).

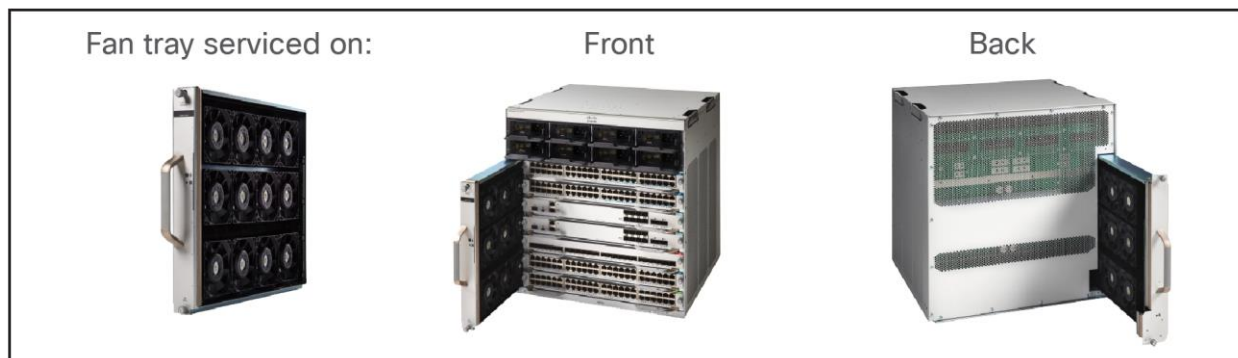


Figure 7.
Flexible fan-tray servicing

Multirate ports: Every SFP+ port can support dual speeds of 1 and 10 Gbps. Every Multigigabit port supports different speeds of 100 Mbps and 1, 2.5 and 5 Gbps, with speeds up to 5 Gbps on Category 5e (Cat5e) cable and up to 10 Gbps on Category 6/6a (Cat6/6a) cable.

Internal SSD storage of up to 960 GB is installed on the supervisor engine.

An ACT2 chip for module authenticity is supported on all supervisors, line cards, and fan trays. Table 1 provides information about the capabilities of each chassis.

Table 1. Chassis specifications

	4 slots	7 slots	10 slots
Supervisor	2 (redundant)		
Line cards	2	5	8
Ports	96x 10/100/1000 96x Multigigabit; 96x SFP/SFP+; Sup2/2XL: 4 SFP28; 4x QSFP28	240x 10/100/1000 240x Multigigabit; 240x SFP/SFP+; Sup2/2XL: 4 SFP28; 4x QSFP28	384x 10/100/1000 384x Multigigabit; 384 SFP/SFP+; Sup2/2XL: 4 SFP28; 4x QSFP28
Dimensions WxDxH	17.5 in. x 16.25 in. x 6RU	17.5 in. x 16.25 in. x 10RU	17.5 in. x 16.25 in. x 13RU
Bandwidth per LC slot	480G	480G	480G
Bandwidth between supervisor slots	720G Sup1/1XL/1XL-Y 800G for Sup2/2XL		
Power supplies	4 (N+1 and N+N)	8 (N+1 and N+N)	8 (N+1 and N+N)

	4 slots	7 slots	10 slots
Power over Ethernet (PoE) per slot	4800W		
Cooling	Side to side for chassis, front to back for power supplies		

Chassis design

This section briefly covers the high-level system design of the Cisco Catalyst 9400 Series. A centralized architecture is used for all three types of chassis (Figure 8). The architecture offers option to combine two physical chassis as one single logical device using the Stackwise Virtual technology.

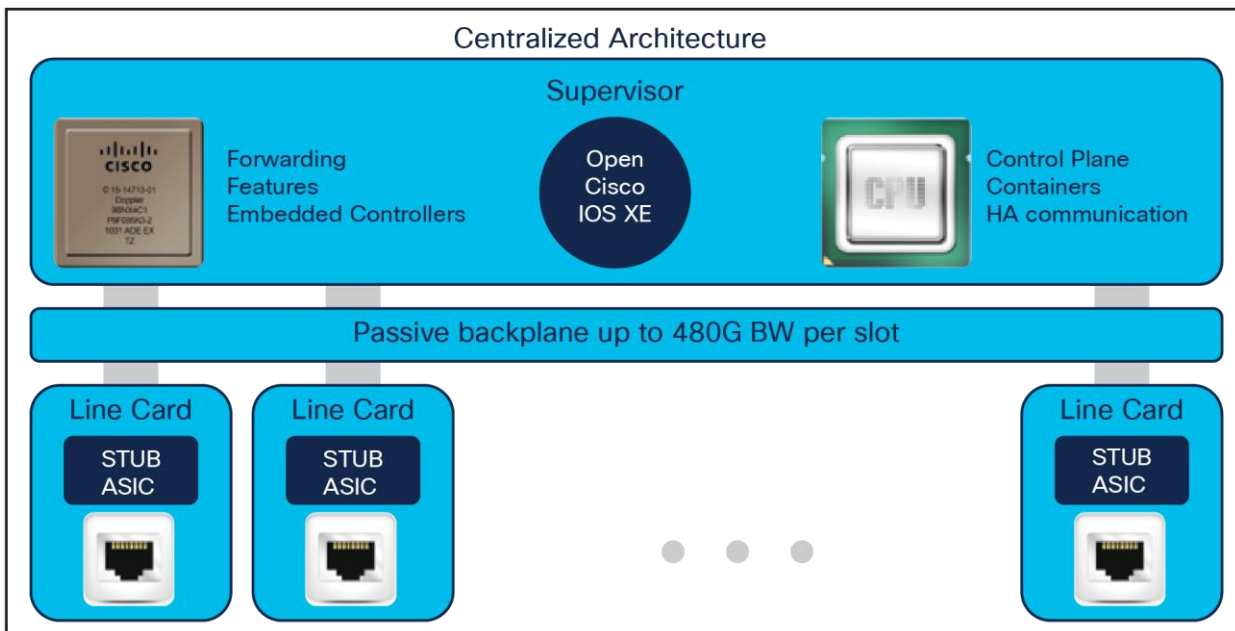


Figure 8.
Cisco Catalyst 9400 Series architecture

All chassis come with a built-in passive RFID for inventory management and Blue Beacon on every component, which can be managed by the software to turn it on and off, as well as an LED for chassis-level identification and a tricolor LED for system status.

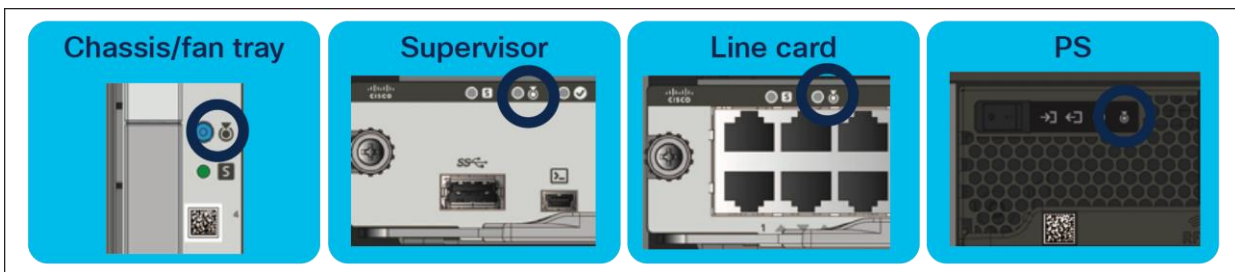


Figure 9.
Blue beacon location on different chassis modules

Supervisor also includes a front panel RJ-45 console port, a USB type B connector for the USB console to the CPU, an RJ-45 management port, and a USB 2.0/3.0 host port for storage.

Chassis power

The Cisco Catalyst 9400 Series chassis has N + N or N + 1 power redundancy modes (Figure 10).



Figure 10.
Power redundancy modes

To deliver N + N redundancy, an even number of power supplies is required: two, four, six, or eight. If N + 1 is the desired mode, one of the power supplies should be configured for standby operation.

Power supplies are also supported in combinations of AC and DC units.

Every line card slot can provide Cisco UPOE+™ and Cisco UPOE® power, and the priority between the ports and the line cards is configurable to define deterministic behavior in case a power supply is lost.

Power supply unit

The maximum output power per power supply for the Cisco Catalyst 9400 Series is listed below, and each Power Supply Unit (PSU) has a power holdup time of approximately 8 milliseconds at 100 percent load. Each PSU comes with front-to-back variable-speed cooling fans and has a push-release lock for simple and secure Online Insertion and Removal (OIR).

- 3200W AC PS with 240V input (1570W with 120V input; 16A input)
- 2100W AC PS with 240V input (940W with 120V input; 10.4A input)
- 3200W DC PS with dual 48V input (44A input)

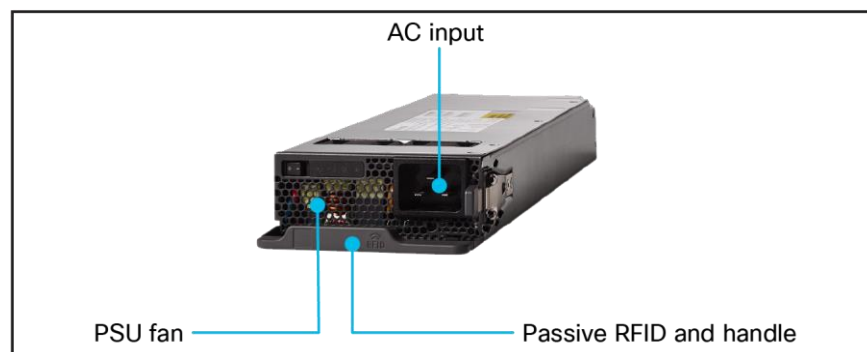


Figure 11.
AC PSUs

Each PSU supports four LEDs to determine the status of the power supply (Table 2).

Table 2. PSU LEDs

LED	Color options (ON/OFF)		Description
Input power	●	●	Input voltage(s) is OK
Output power	●	●	Output power is OK
Output failed	●	●	Output power is not in range
Beacon	●	●	Used to indicate the location of the PSU

Chassis cooling

The Cisco Catalyst 9400 Series Switches support a hot-swappable and field-replaceable fan tray that can be replaced from the front or back, which offers significant flexibility with different cable management options (Figure 12). The chassis supports side-to-side airflow. The fan-tray unit support OIR for up to 90 seconds. The fan unit is responsible for cooling the entire chassis and for interfacing with environmental monitors to trigger alarms when conditions exceed thresholds. The fan modules contain thermal sensors to detect ambient temperature and adjust the fan speed. The chassis supports a hardware failure of up to one individual fan, where the remaining fans will automatically increase their rpm to compensate and maintain sufficient cooling. If the switch fails to meet the minimum number of required fans, it shuts down automatically to prevent the system from overheating. The number of fans per fan tray depends on the number of slots in the chassis.

Cisco Catalyst 9400 Series chassis are equipped with onboard thermal sensors to monitor the ambient temperature at various points and report thermal events to the system to adjust the fan speeds.



Figure 12.
Fan tray for the C9407R model

Insertion and removal of the fan modules are made easy with a fan assembly handle that has an integrated passive RFID (Table 3).

Table 3. Fan and fan-tray LEDs

LED	Color	Status	Description
Fan	●	Solid	Fan/Fans OK
Fan	●	Solid	Tachometer fault
Fan	●	Solid	One or more fans faulty (tachometer) Exceeded maximum limit

Chassis airflow

The Cisco Catalyst 9400 Series fan tray supports side-to-side airflow for the modules and front-to-back airflow for the power supplies (Figure 13).



Figure 13.
Fan-tray airflow

Baseboard components

The Supervisors 2XL offer line-rate for 1/10 Gbps linecards. Sup2 and Sup1/1XL/1XL-Y offer oversubscribed or performance mode for 10 Gbps modules. The oversubscription depends on the chassis type and the chosen supervisor. With latest Sup-2XL all ports on the linecards are non oversubscribed. The supervisors 1/1XL/1XL-Y offer configurable system resources to optimize support for specific features, depending on how the switch is used in the network. The switch architecture consists of four main components.

- UADP ASIC
- X86 CPU complex
- ASIC interconnect
- Front panel interfaces

Figure 14 shows the number of Switch Link Interfaces (SLI) connected from the Supervisor card to the backplane of the chassis. The chassis and the linecards are pre-provisioned with the required number of SLIs to provide full line rate on all the line card ports. If a supervisor module provides lesser number of SLIs than are required for line rate, it causes oversubscription. In this case, replacement of just the supervisor (to a newer generation one) will reduce or eliminate the oversubscription. There is no requirement of replacing the port linecard(s) or the chassis. Information on how many SLIs are connected per Supervisor module and per Chassis is available in the Linecard section of the whitepaper.

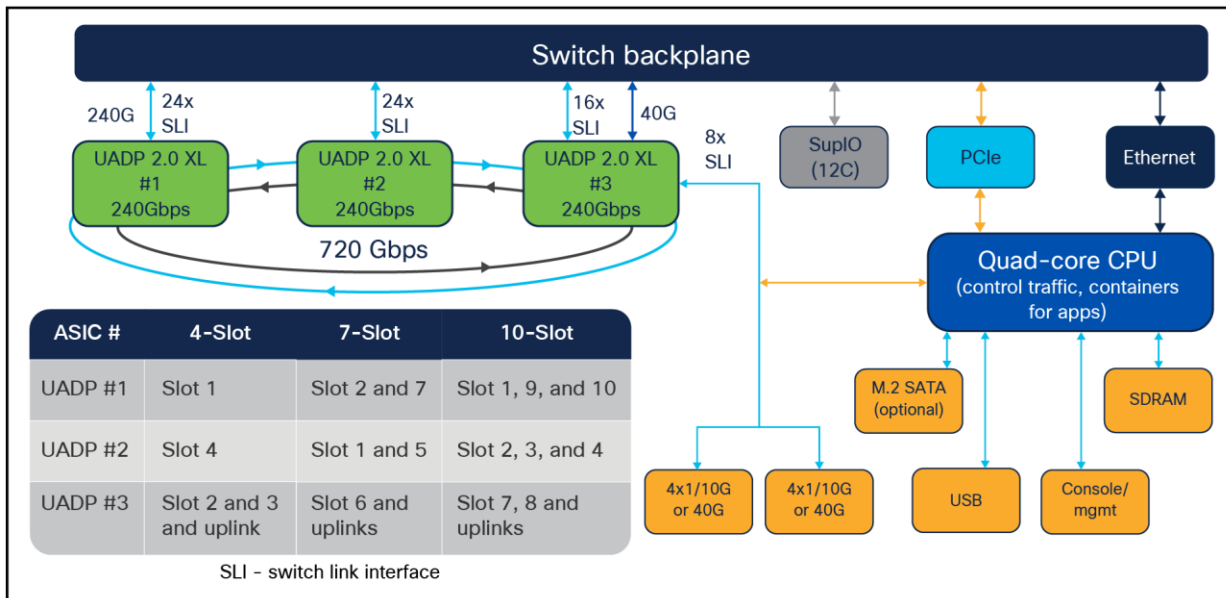


Figure 14.
Sup-1, Sup-1XL, and Sup-1XL-Y diagram

Figure 15 shows very similar centralized architecture used for Sup-2XL/2. There are improvements on the ASIC interconnect where the stack ring is replaced by Direct Point to Point (DPP) Connections on higher speed. The SLIs serving the linecards can operate on 30 or 10 Gbps speed.

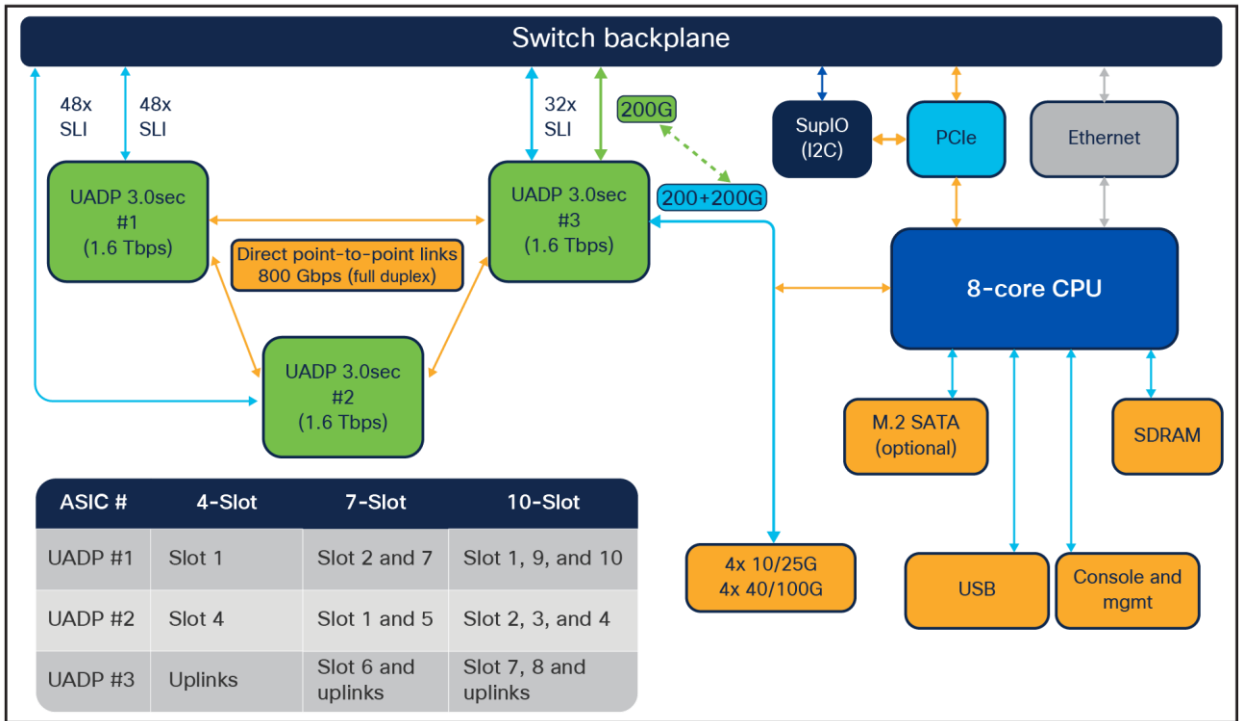


Figure 15.
Sup-2XL, Sup-2 diagram

UADP ASIC

The supervisors 2XL/2 are built on the UADP 3.0sec ASIC, which is based on a System-On-Chip Architecture (SOC).

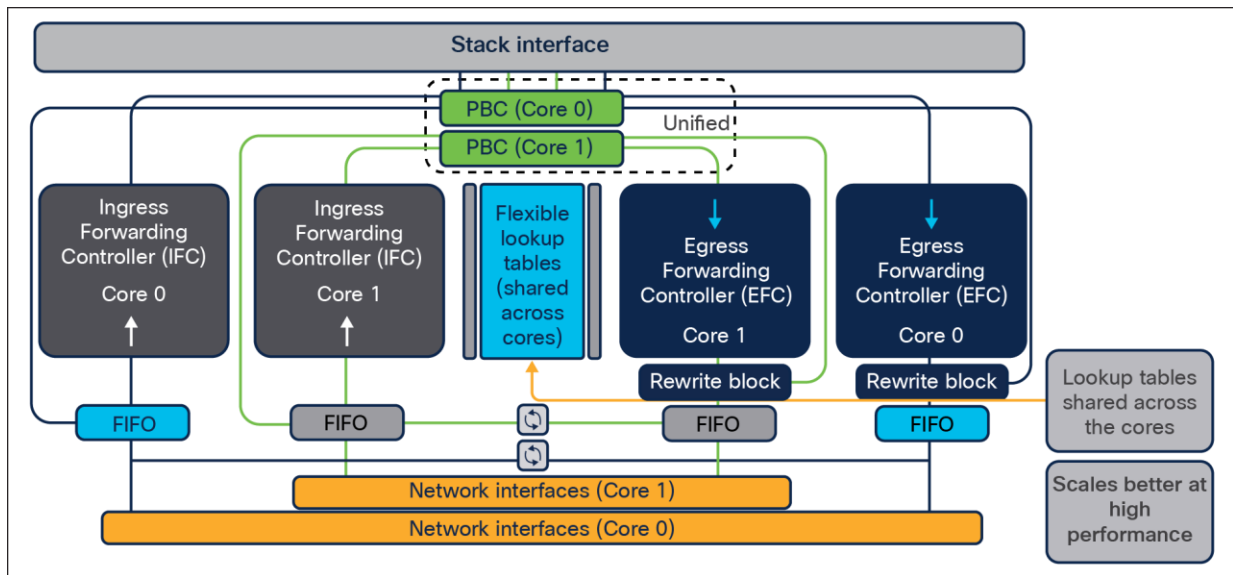


Figure 16.
UADP 3.0sec ASIC diagram

UADP 3.0sec is a fourth-generation 1.6 Tbps 2-core ASIC optimized for next-generation Cisco Catalyst modular switches. The architecture and functionality of UADP 3.0sec adds richer programmable capabilities from previous generations and also offers extended table sizes in comparison with 2.0 XL. The UADP 3.0sec ASIC is built using 16-nanometer technology with a 2-core architecture (Figure 16). The UADP 3.0sec ASIC continues to offer programmable pipelines, but also adds flexible table which can be relocated between features.

The list below captures the key UADP 3.0sec capabilities.

- Packet bandwidth/switching throughput: 1.6 Tbps (800 Gbps per core)
- Forwarding performance: 1 Bpps
- DPP bandwidth: 1.6 Tbps
- Forwarding Information Base (FIB) table: Up to 256,000(capable) IPv4/v6 (114,000 default)
- Shared packet buffer: 36 MB (18 MB per core or 36 MB shared between the cores)
- Up to 128K (hardware capable) Netflow entries per ASIC. (Default is 96K Netflow entries per ASIC)
- 54,000 Ternary Content Addressable Memory (TCAM) entries
- Support IEEE 1588 PTP protocol (capable)

The supervisors 1/1XL/1XL-Y are built on the UADP 2.0 XL ASIC, which is based on a System-On-Chip Architecture (SOC).

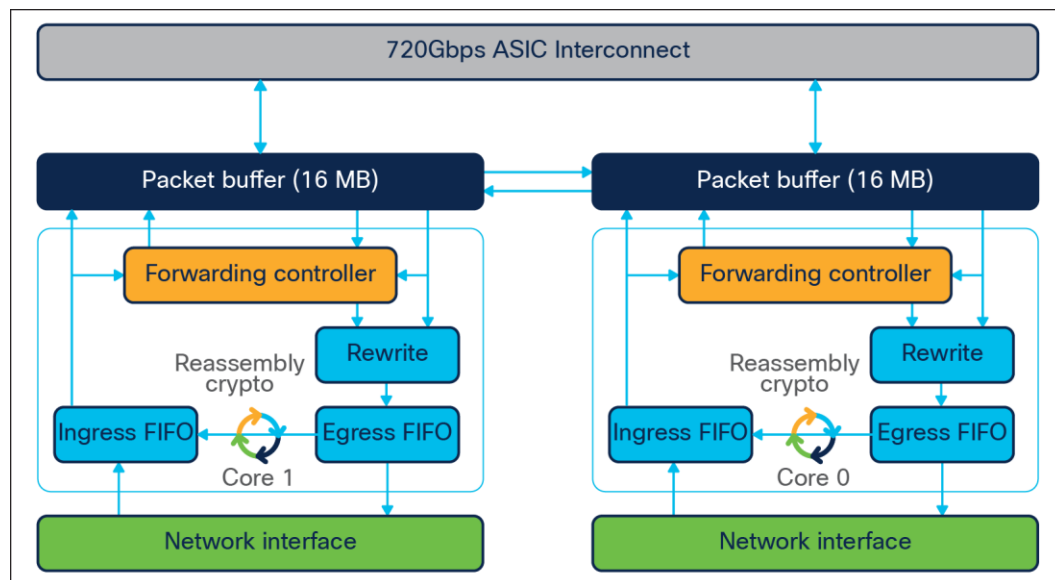


Figure 17.
UADP 2.0 XL ASIC diagram

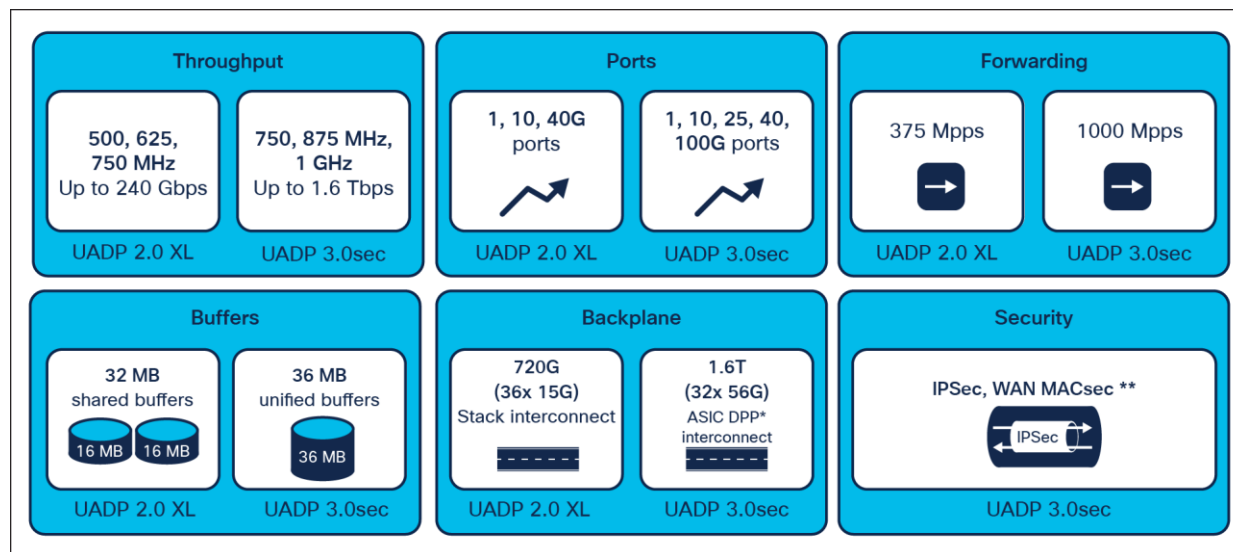
UADP 2.0 XL is a third-generation 240 GE 2-core ASIC optimized for next-generation Cisco Catalyst modular switches. The architecture and functionality of UADP 2.0 XL adds richer programmable capabilities from previous generations and also offers extended table sizes in comparison with 2.0. The UADP 2.0 XL ASIC is built using 28-nanometer technology with a 2-core architecture (Figure 17). The UADP 2.0 XL ASIC continues to offer programmable pipelines, but also adds flexible table which can be relocated between features.

The list below captures the key UADP 2.0 XL capabilities.

- Packet bandwidth/switching throughput: 240 Gbps (120 Gbps per core)
- Forwarding performance: 375 Mpps
- Stack bandwidth: 720 Gbps (2x 360-Gbps rings)
- Forwarding Information Base (FIB) table: Up to 144,000*/56,000* IPv4/v6
- Shared packet buffer: 32 MB (16 MB per core)
- Dedicated NetFlow block with 128,000/64,000 IPv4/v6 (64,000/32,000 per core)
- 54,000 Ternary Content Addressable Memory (TCAM) entries
- Support IEEE 1588 PTP protocol

* Varies based on selected flexible ASIC template

Figure 18 shows a comparison between UADP 3.0sec and 2.0 XL.



* DPP – Direct point to point

** – Hardware Capable

Figure 18.
UADP 2.0 XL vs. 3.0sec per-ASIC capabilities

x86 CPU complex

The Cisco Catalyst 9400 Series supervisors 1/1XL/1XL-Y are equipped with the same CPU, system memory, and flash storage (Figure 19).

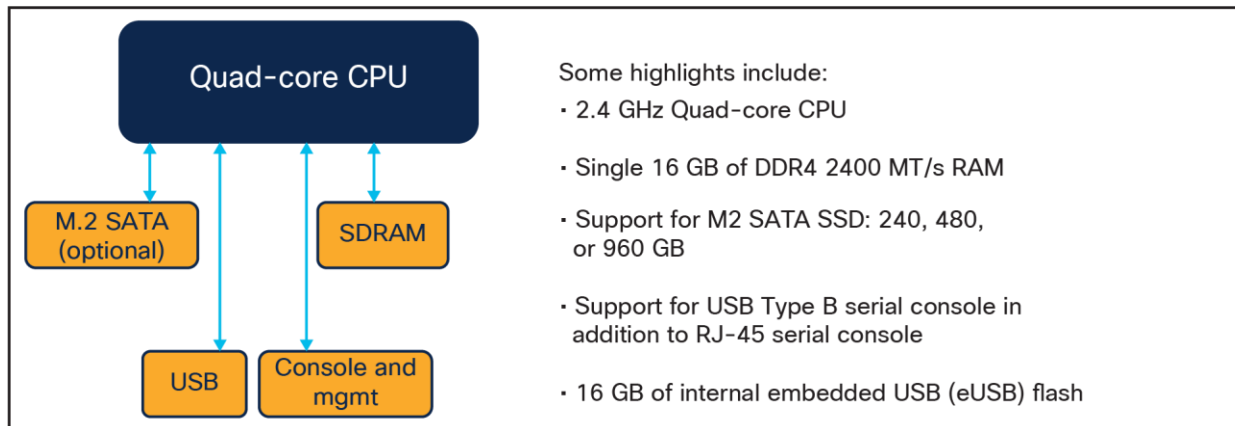


Figure 19.
x86 CPU quad core complex on Sup 1/1XL/1XL-Y

The Cisco Catalyst 9400 Series supervisors 2XL/2 are equipped with the same CPU, system memory, and flash storage (Figure 20).

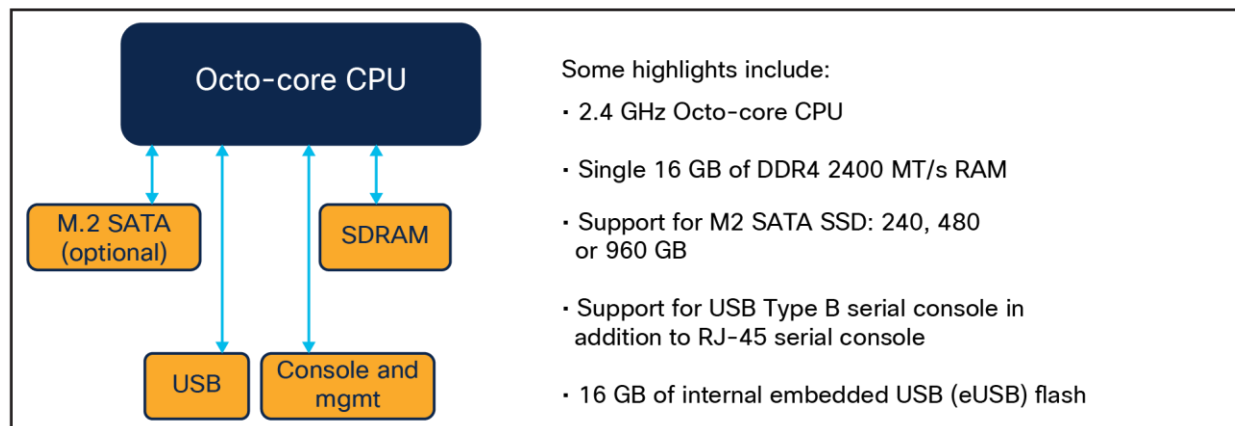


Figure 20.
x86 CPU octo core complex on Sup 2XL/2

ASIC interconnect

The Cisco Catalyst 9400 Series Supervisors 1/1XL/1XL-Y are built with three UADP 2.0 XL ASICs (Figure 21). Communication within a core or between cores is locally switched within the ASIC. So, packets destined to local ports within the ASIC do not use the ASIC interconnect link. The purpose of the ASIC interconnect is to move data between multiple UADP ASICs.

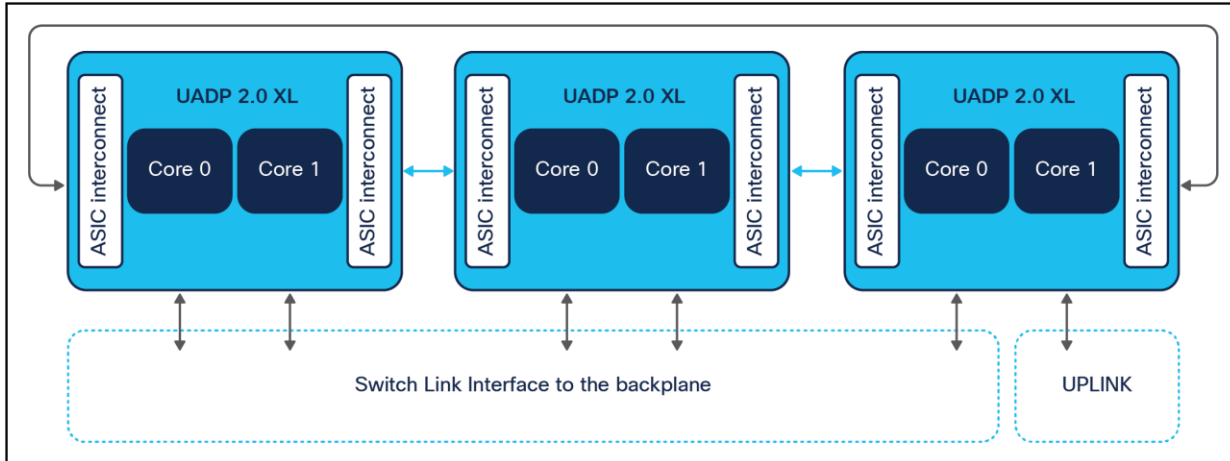


Figure 21.
UADP 2.0 XL ASIC interconnect diagram

UADP 2.0 XL has effective bandwidth of 720 Gbps, with each core ASIC interconnect able to transfer up to 360 Gbps. The 360-Gbps bandwidth is composed of six dual independent 60-Gbps rings.

The Cisco Catalyst 9400 Series Supervisors 2XL/2 are built with three UADP 3.0sec ASICs (Figure 22). Communication within a core or between cores is locally switched within the ASIC. So, packets destined to local ports within the ASIC do not use the ASIC interconnect link. The ASIC interconnect is changed to use Directly Connected Point to Point links with 1.6Tbps bandwidth to move data between UADP ASICs.

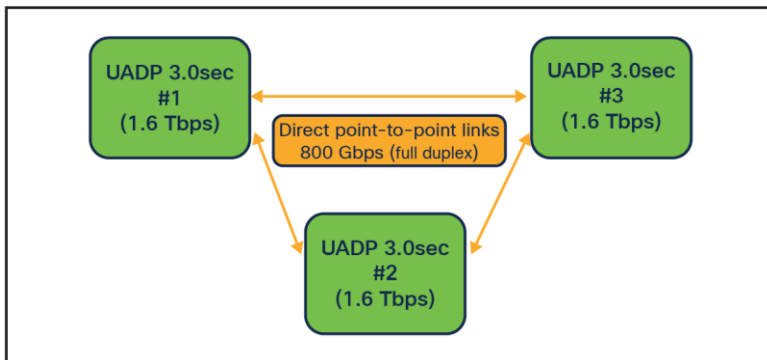


Figure 22.
UADP 3.0sec ASIC interconnect diagram

Front panel interfaces

Ethernet PHY (physical layer) connects a link layer device (often a MAC) to a physical medium such as a transceiver. PHY on Cisco Catalyst 9400 Series switches is a fully integrated Ethernet transceiver supporting steering and mapping of lanes back to the stub ASIC on the line card. The PHY chip offers support for multiple speeds (10/100 Mbps, 1, 10, 25, 40 and 100 Gbps), depending on the optics inserted on the front panel ports or if copper ports are present.

Figure 23 summarizes the mix of ports on a single supervisor Sup-1/1XL/1XL-Y.

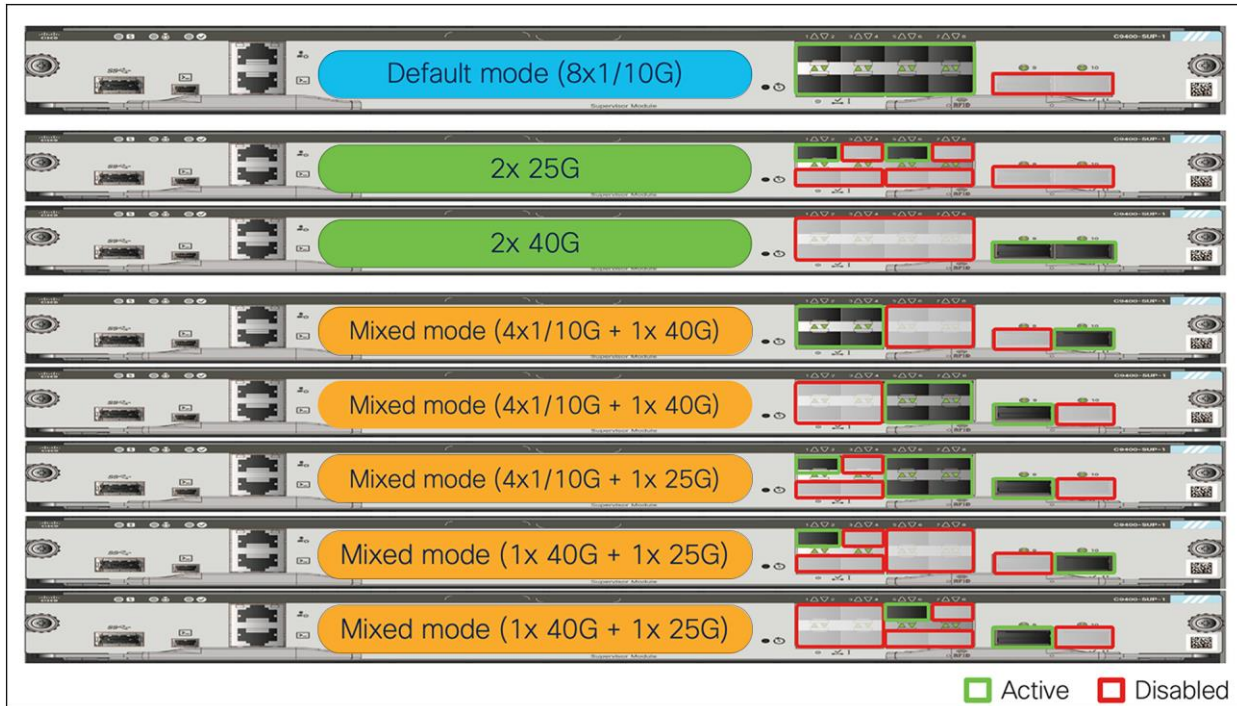


Figure 23.
Single supervisor SUP1/1XL/1XL-Y uplink options

- The system can support two 40-Gbps ports or two 25-Gbps ports or eight 10-Gbps ports.
- The system can support any mix of 40-Gbps, 25-Gbps, and 10-Gbps ports if the total uplink bandwidth does not exceed 80 Gbps (2 port groups x 40 Gbps), where one port group can operate in 4x1/10 Gbps, 1x 40 Gbps or 1x25 Gbps.

Figure 24 summarizes the mix of ports on dual supervisor Sup-1/1XL/1XL-Y.

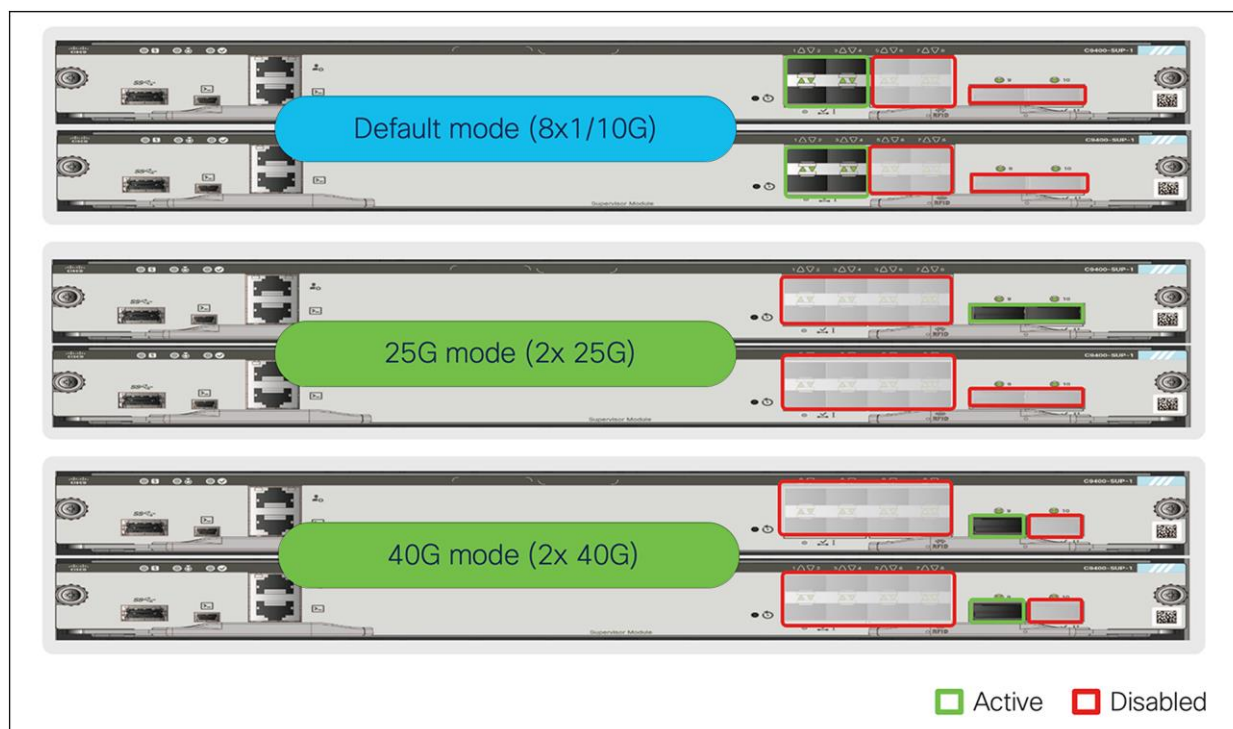


Figure 24.
Dual supervisor Sup-1/1XL/1XL-Y uplink options

- The system can support two 40-Gbps ports or two 25-Gbps ports or eight 10-Gbps ports. It is recommended to use at least one port per supervisor card.
- The system can support any mix of 40-Gbps, 25-Gbps, or 10-Gbps ports if the total uplink bandwidth does not exceed 80 Gbps (2 port groups x 40 Gbps) between the two supervisors, where one port group can operate in 4x1/10 Gbps, 1x 40 Gbps or 1x25 Gbps. The above diagram does not show all combinations.
- When the system uses dual supervisor mode, only the first port groups from each supervisor can be used. In that mode the active supervisor controls the links on that standby supervisor which delivers 80 Gbps uplink throughput even if the standby Supervisor reloads or stateful switchover happens.

Figure 25 summarizes the mix of ports on a single supervisor Sup-2XL/2.

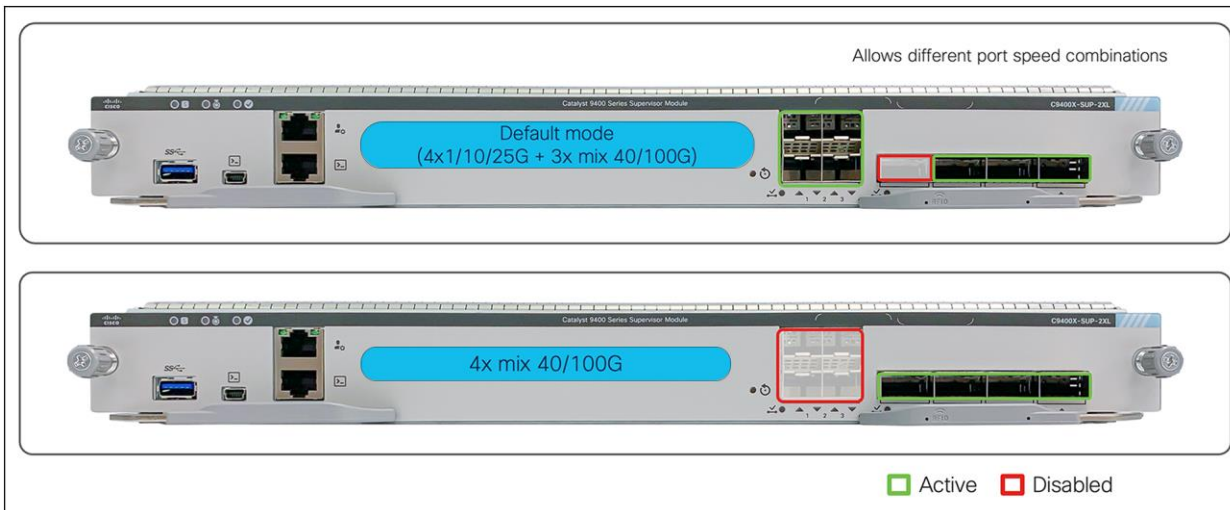


Figure 25.
Single supervisor Sup-2XL/2 uplink options

- 4x 40/100G.
- 4x 1/10/25G + 3x 100G.

Figure 26 summarizes the mix of ports on dual supervisor Sup-2XL/2.

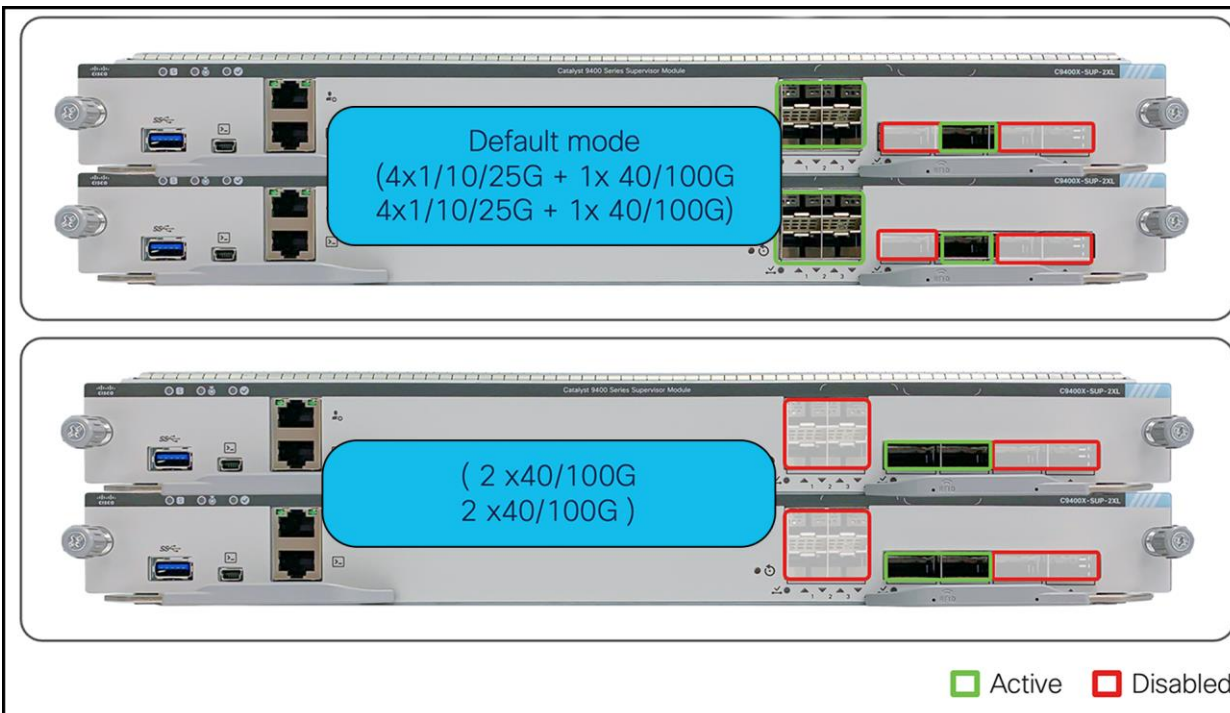


Figure 26.
Dual supervisor Sup-2XL/2 uplink options

- 4x 1/10/25G + 1x 40/100G per supervisor.
- 2x 40/100G per supervisor.

Figure 27 Shows the architecture the C9400-LC-48U and C9400-LC-48H line cards.

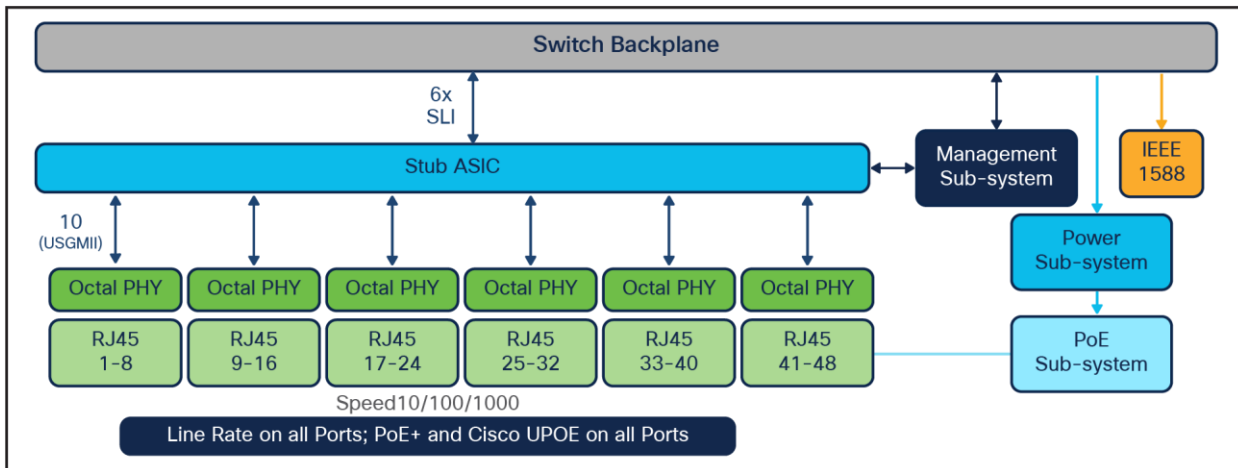


Figure 27.

Diagram for C9400-LC-48/U (PoE+/ Cisco UPOE) and C9400-LC-48H (PoE+/UPOE/UPOE+) line card

- The PHY ports are connect to a stub ASIC. The stub ASIC is used to aggregate the PHY connections and provide connection to the chassis backplane interface.
- The stub ASIC does not participate in packet processing.
- The module offers 48x 10/100/1000 Mbps ports with PoE+ and Cisco UPOE inline power.
- C9400-LC-48H line card can provide IEEE 802.3bt up to 90 W for up to 260 ports from 384 on C9410R, and fully loaded 90W on C9407R/C9404R.

Figure 28 Shows the architecture the C9400-LC-24S/48S and C9400-LC-48T line cards.

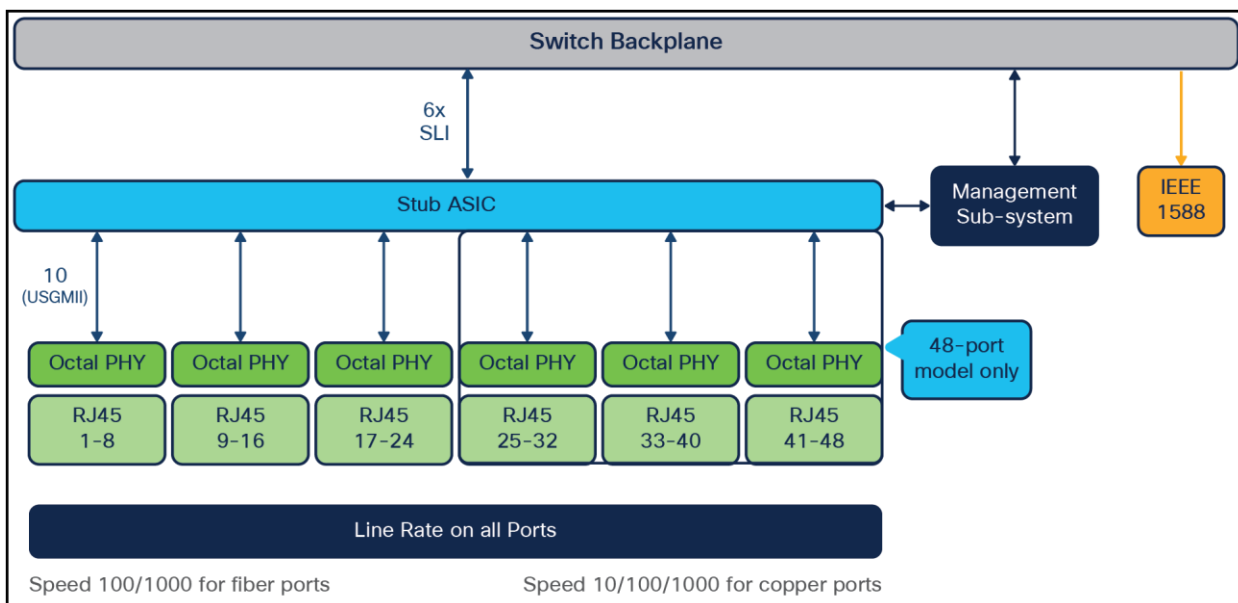


Figure 28.

Diagram for C9400-LC-24S/48S and C9400-LC-48T line cards

- The PHY ports are connect to a stub ASIC. The stub ASIC is used to aggregate the PHY connections and provide connection to the chassis backplane interface.
- The stub ASIC does not participate in packet processing.
- The modules do not offer inline power.
- The C9400-LC-48T line card provides 48x 10/100/1000 Mbps copper ports.
- The C9400-LC-24S/48S line card provides 24x/48x 100/1000 Mbps fiber ports. Figure 29 Shows the architecture the C9400-LC-24XS line card.

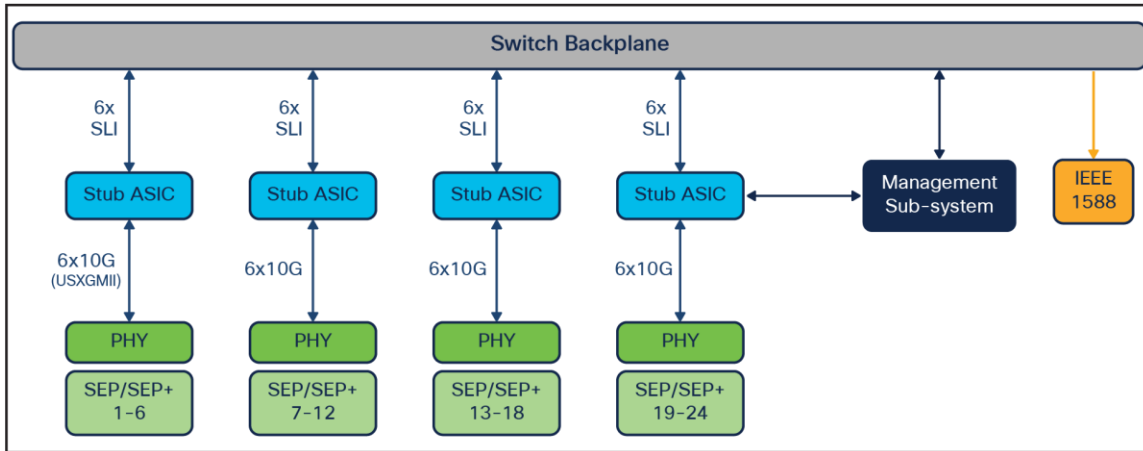


Figure 29.
Diagram for the C9400-LC-24XS line card

- The PHY ports are connect to a stub ASIC. The stub ASIC is used to aggregate the PHY connections and provide connection to the chassis backplane interface.
- The stub ASIC does not participate in packet processing.
- The module does not offer inline power.
- The C9400-LC-24XS line card provides 24x 1/10 Gbps fiber ports.
- When the module is used with the C9404R chassis, there are no port groups.

Figure 30 shows the allocated port groups when the module is used with the C9407R or C9410R chassis.

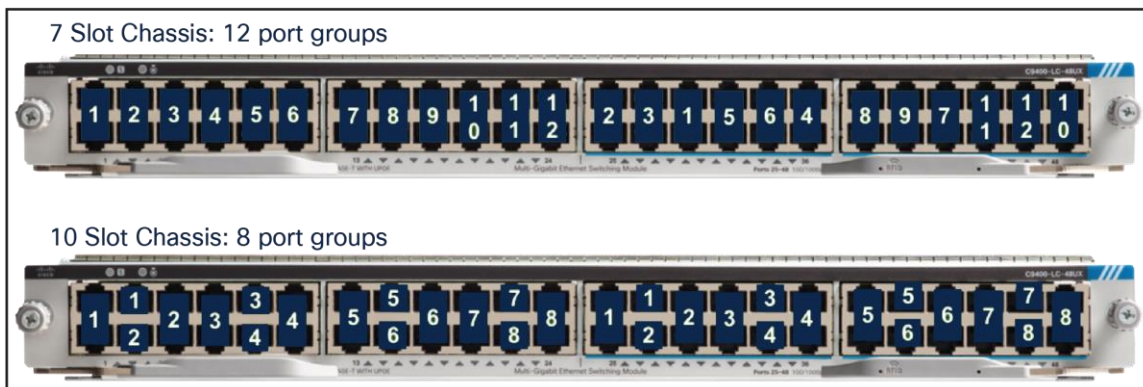


Figure 30.
Port groups for the C9407R and C9410R chassis with the C9400-LC-24XS module

Figure 31 Shows the architecture the C9400-LC-48UX line card.

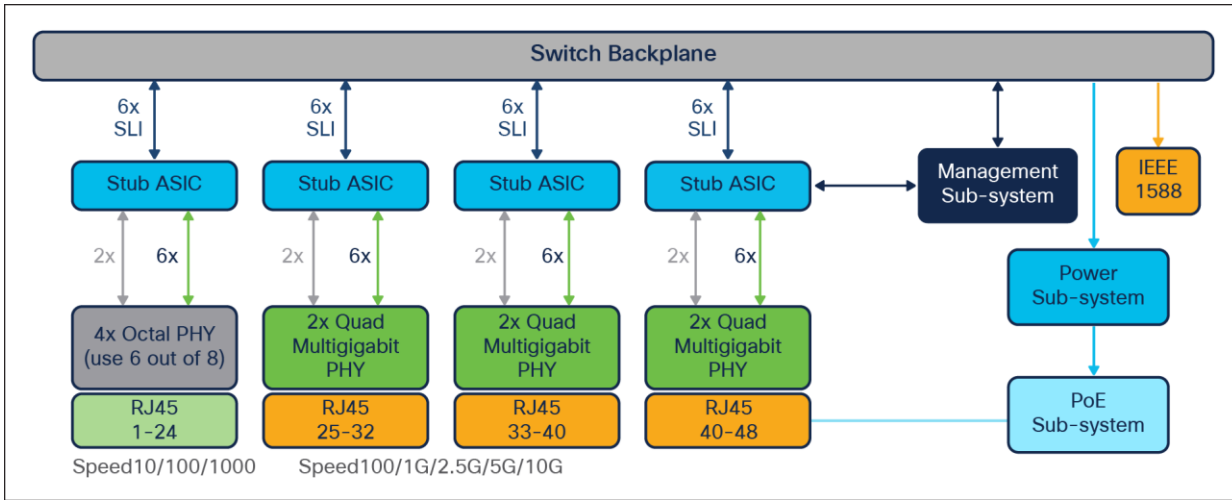


Figure 31.
Diagram for the C9400-LC-48UX line card

- The PHY ports are connect to a stub ASIC. The stub ASIC is used to aggregate the PHY connections and provide connection to the chassis backplane interface.
- The stub ASIC does not participate in packet processing.
- The module offers PoE+/UPoE inline power.
- The C9400-LC-48UX line card provides 24x 10/100/1000 Mbps copper ports and 24x 100/1G/2.5G/5G/10G copper ports (for 10 Gbps, use Cat6a or Cat7).
- When the module is used with the C9404R chassis, there are no port groups.

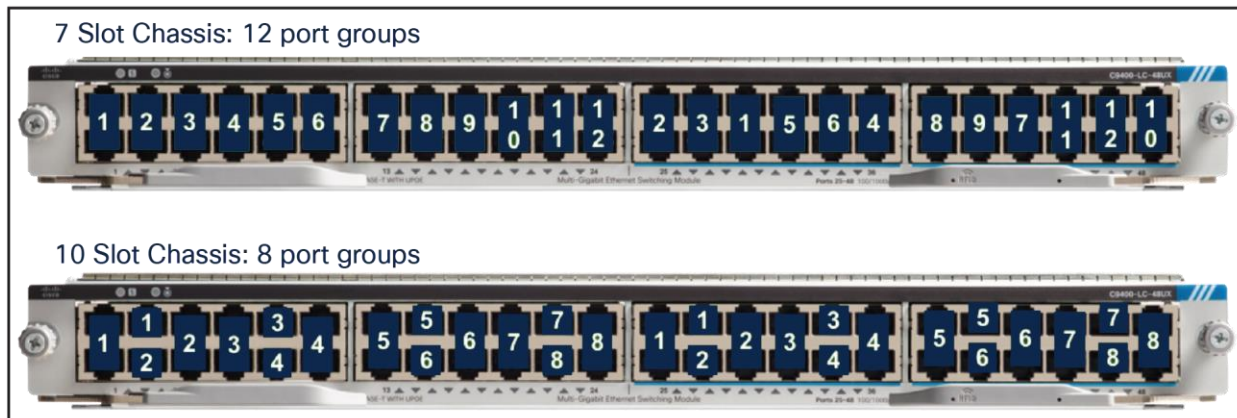


Figure 32.
Port groups for the C9407R and C9410R chassis with the C9400-LC-48UX module

Figure 33 Shows the architecture the C9400-LC-48HN line card.

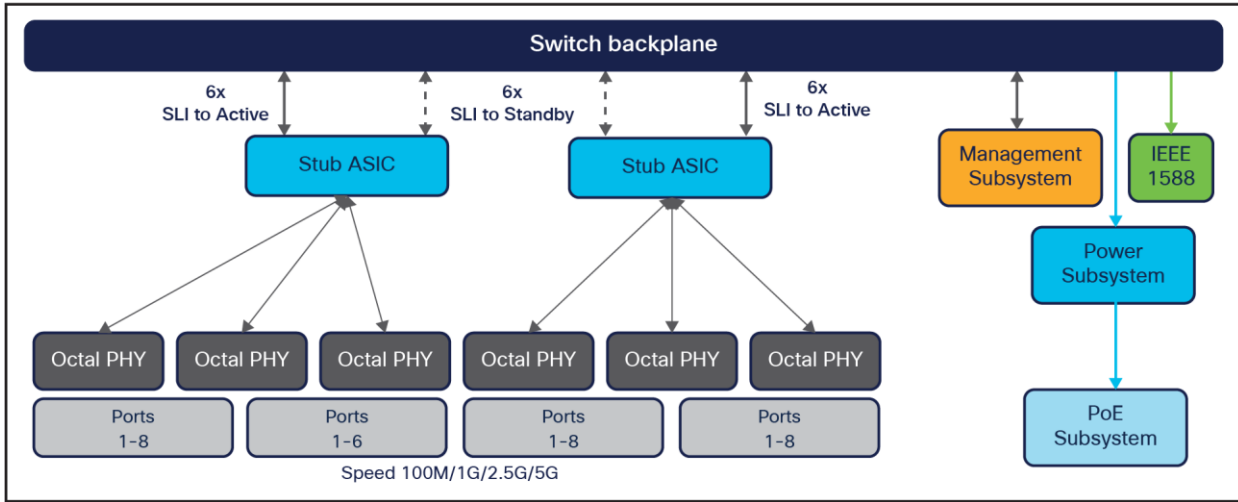


Figure 33.
Diagram for the C9400-LC-48HN line card

- The PHY ports are connect to a stub ASIC. The stub ASIC is used to aggregate the PHY connections and provide connection to the chassis backplane interface.
- The stub ASIC does not participate in packet processing.
- The module offers PoE+/UPOE/UPOE+/802.3bt Type 1-4 inline power.
- The C9400-LC-48HN line card provides 48x 100/1G/2.5G/5G copper ports.
- C9400-LC-48HN line card can provide IEEE 802.3bt up to 90 W for up to 240 ports from 384 on C9410R, and fully loaded 90W on C9407R/C9404R.

Figure 34 shows the allocated port groups when the module is used with the C9407R or C9410R chassis.

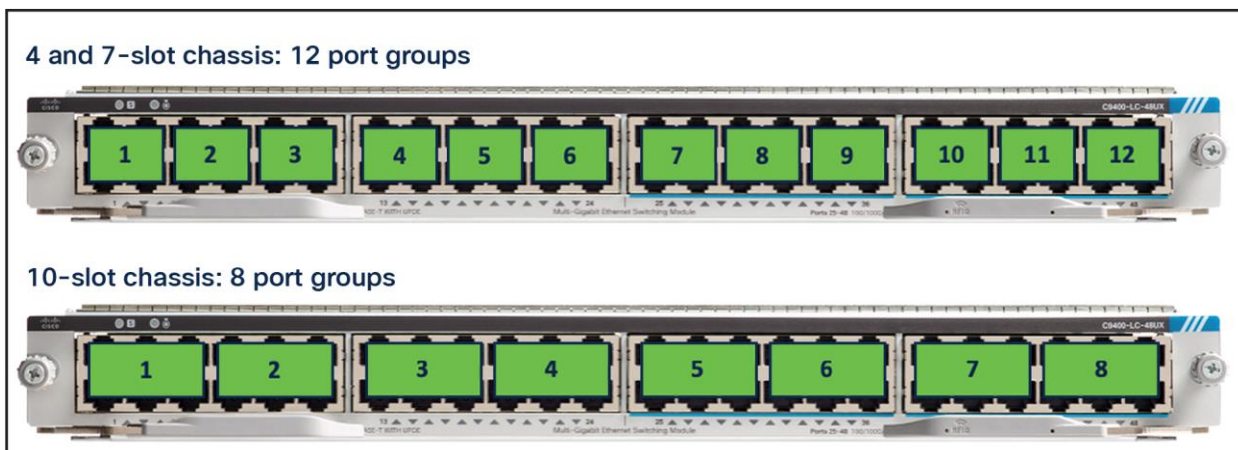


Figure 34.
Port groups for the C9404R, C9407R and C9410R chassis with the C9400-LC-48HN module

Figure 35 Shows the architecture the C9400-LC-48HX line card.

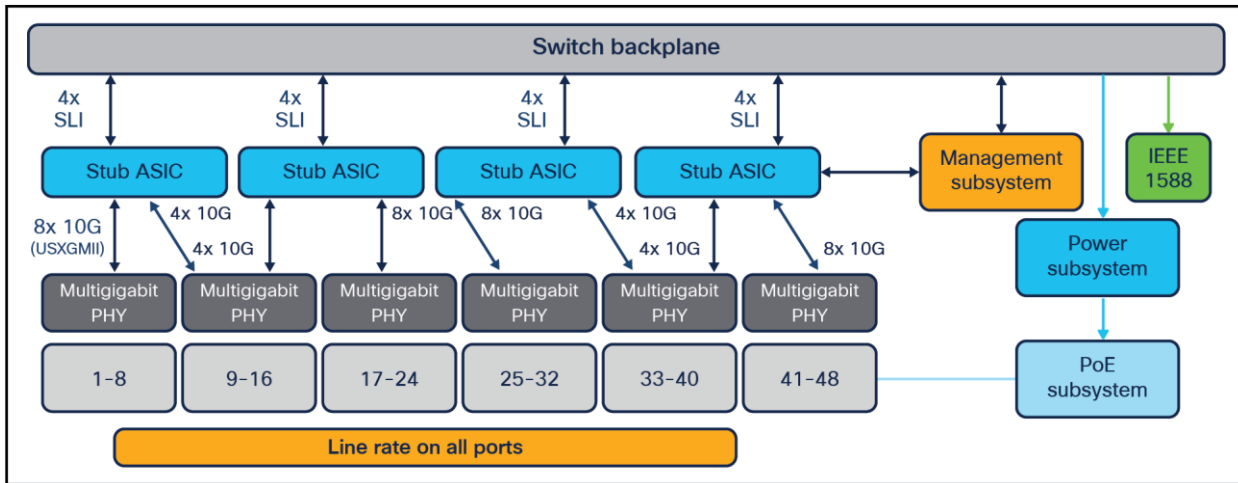


Figure 35.
Diagram for the C9400-LC-48HX line card

- The PHY ports are connect to a stub ASIC. The stub ASIC is used to aggregate the PHY connections and provide connection to the chassis backplane interface.
- The stub ASIC does not participate in packet processing.
- The module offers PoE+/UPOE/UPOE+/802.3bt Type 1-4 inline power.
- The C9400-LC-48HX line card provides 48x 100/1G/2.5G/5G/10G copper ports.
- C9400-LC-48HX line card can provide IEEE 802.3bt up to 90 W for up to 224 ports from 384 on C9410R, up to 226 ports out of 240 on C9407R and fully loaded 90W on C9404R.
- The line card is supported only with Sup2XL and Sup2

Figure 36 Shows the architecture the C9400-LC-48XS line card.

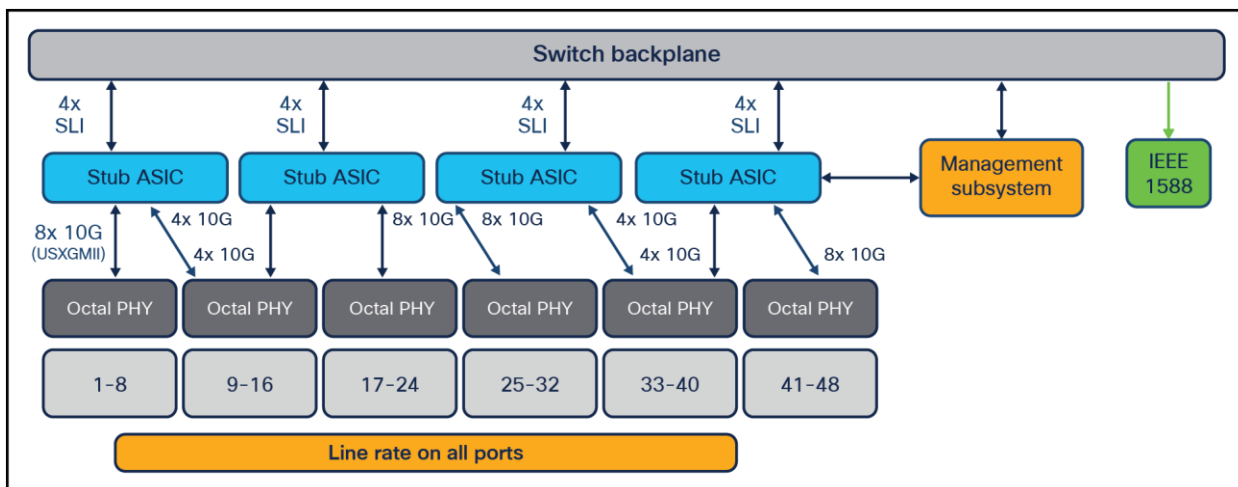


Figure 36.
Diagram for the C9400-LC-48XS line card

- The PHY ports are connect to a stub ASIC. The stub ASIC is used to aggregate the PHY connections and provide connection to the chassis backplane interface.
- The stub ASIC does not participate in packet processing.
- The C9400-LC-48XS line card provides 48x 1G/10G fiber ports.
- The line card is supported only with Sup2XL and Sup2

Figure 37 Shows the architecture the C9400-LC-12QC line card.

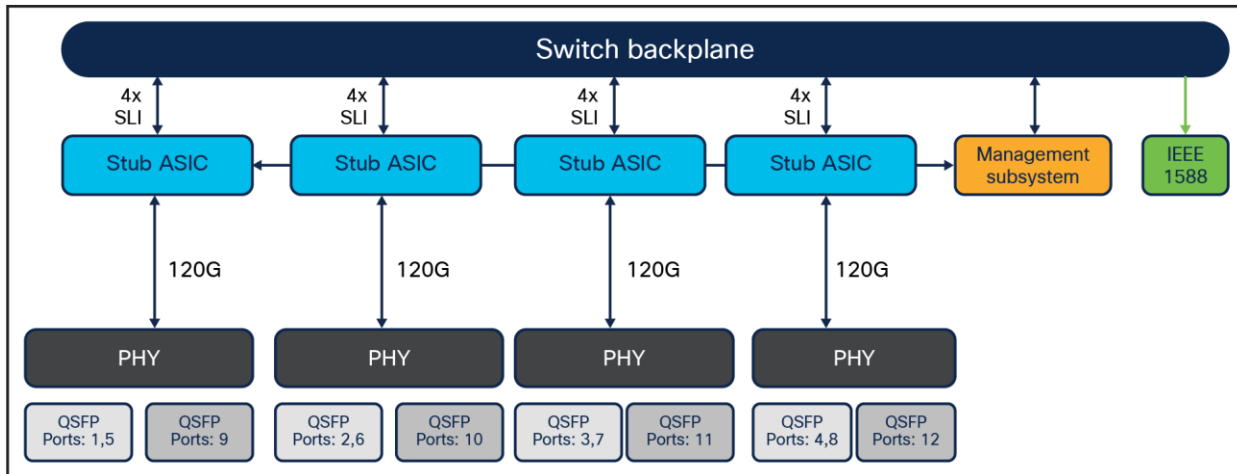


Figure 37.

Diagram for the C9400-LC-12QC line card

- The PHY ports are connect to a stub ASIC. The stub ASIC is used to aggregate the PHY connections and provide connection to the chassis backplane interface.
- The stub ASIC does not participate in packet processing.
- The C9400-LC-12QC line card provides 4x 100G + 4x 40G fiber ports or 12x 40G fiber ports.
- The line card is supported only with Sup2XL and Sup2

Figure 38 Shows the different modes with C9400-LC-12QC

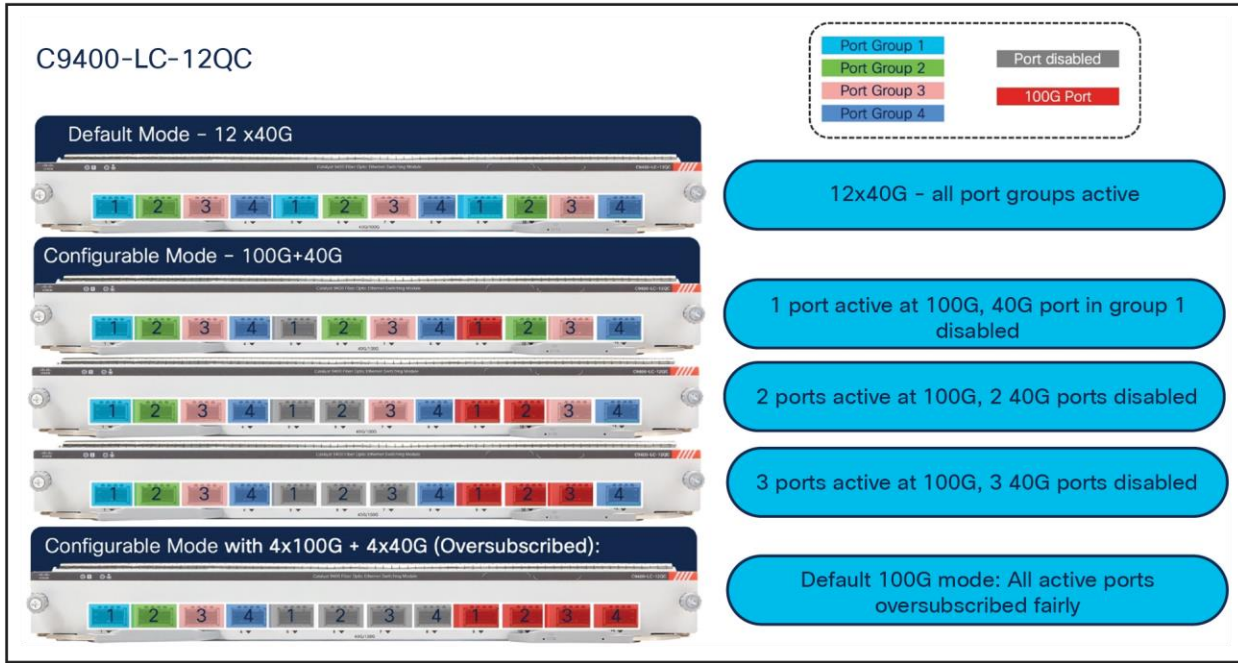


Figure 38. Different operating modes with C9400-LC-12QC

Figure 39 Shows the architecture the C9400-LC-24XY line card.

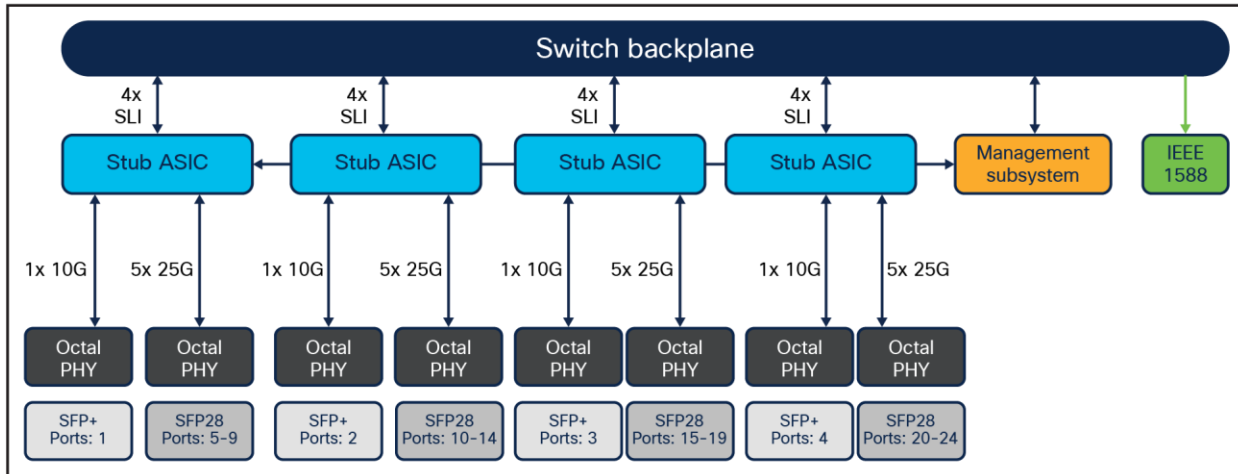


Figure 39. Diagram for the C9400-LC-12QC line card

- The PHY ports are connect to a stub ASIC. The stub ASIC is used to aggregate the PHY connections and provide connection to the chassis backplane interface.
- The stub ASIC does not participate in packet processing.
- The C9400-LC-24XY line card provides 20x 10G/25G fiber ports + 4x 10G fiber ports.
- The line card is supported only with Sup2XL and Sup2

Figure 40 Shows the different modes with C9400-LC-24XY

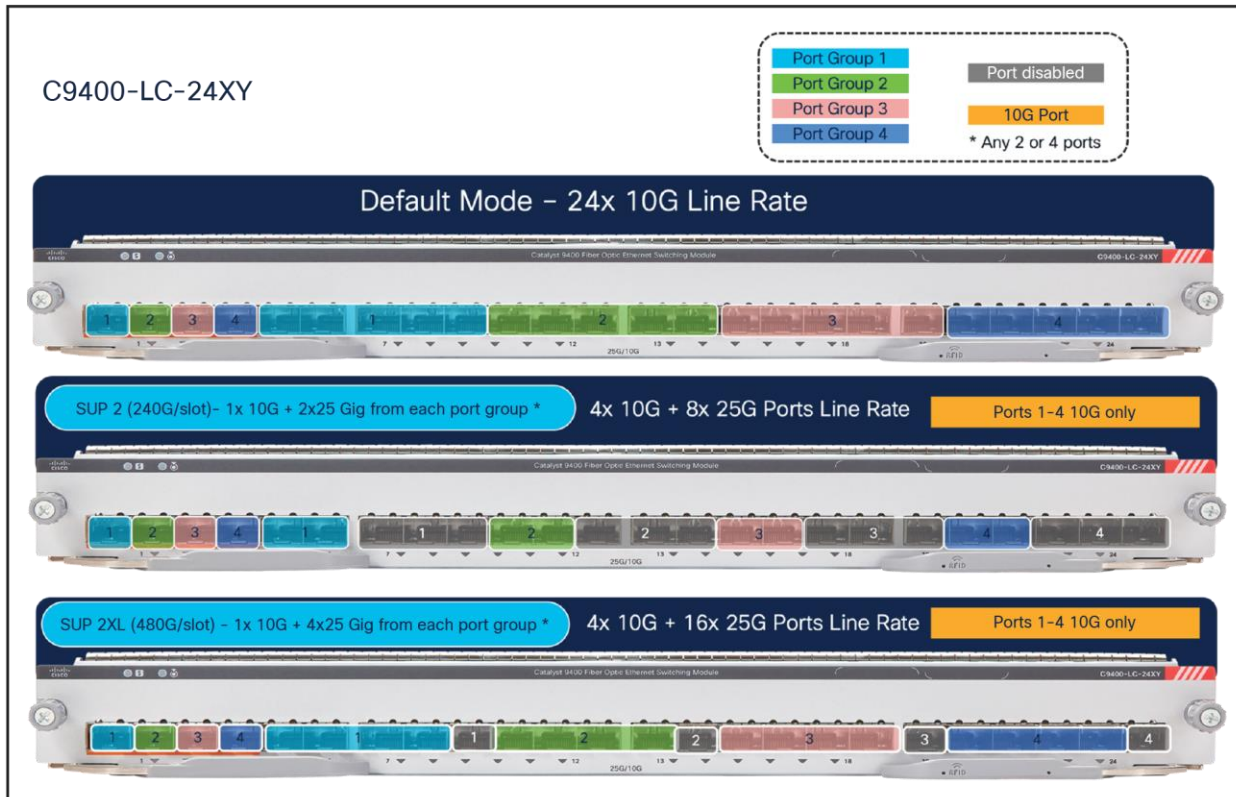


Figure 40.
Different operating modes with C9400-LC-24XY

Supported line cards per Supervisor

Figure 41 shows supported line cards per Supervisor

		Catalyst® 9400 SUP-1/1XL/1X:Y			Catalyst 9400X SUP-2	Catalyst 9400X SUP-2XL
	Type	9404R	9407R	9410R	9404R/9407R/9410R	9404R/9407R/9410R
C9400-LC-48TX	Copper (Data Only)	Not supported			240	480
C9400-LC-24XY	Fiber	Not supported			240	480
C9400-LC-12QC	Fiber	Not supported			240	480
C9400-LC-48HX	UPOE+	Not supported			240	480
C9400-LC-48XS	Fiber	Not supported			240	480
C9400-LC-48UX	UPOE	80/240	80/120	80	240	240
C9400-LC-24XS	Fiber	80/240	80/120	80	240	240
C9400-LC-48HN	UPOE+	80/120	80/120	80	240	240

Supported by all supervisor | Bandwidth in Gbps | Bold indicates line rate

3x bandwidth uplift for Gen 1 line cards (80G -> 240G) on 10-slot chassis with SUP-2XL
 2x bandwidth uplift for Gen 1 line cards (120G -> 240G) on 7-slot chassis with SUP-2XL

Figure 41.

Supported line cards per Supervisor

External storage

Cisco Catalyst 9400 Series Switches provides two types for external storages:

1. USB 3.0 SSD on the front-panel of the Supervisors (up to 120G)
2. M2 Serial Advanced Technology Attachment (SATA) that can be plugged into the removable Supervisor (up to 1TB)

These external storages can be used for general-purpose storage for packet capture, operation system trace logs, and Graceful Insertion and Removal (GIR) snapshots. Mostly importantly, they can be used for application hosting. An application, hosted on a network device, can serve a variety of purpose. This ranges from automation, configuration management monitoring, and integration with exiting tool chains.

Cisco Catalyst 9400 Series switches use the Cisco Application Framework, also known as Cisco IOx (the application framework combines Cisco IOS and Linux), to support containerized applications in Docker Containers. The switch can provide dedicated memory and CPU resources for application hosting. By reserving memory and CPU resources, the switch provides a separate execution space for third-party applications, protecting the switch's Cisco IOS XE run-time processes and helping ensure its integrity and performance.

Application hosting is only supported on M2 SATA drive storage inside of the Supervisor.

Internal flash storage cannot be used to store third-party application(s) as it is not supposed to be formatted as EXT2 or EXT4 file system. But the external storage can support EXT2 or EXT4(default) file systems and application hosting. Also, it has ability to monitor the health of the SSD storage through S.M.A.R.T.

Flexible ASIC templates

Flexible ASIC templates¹ enable universal deployments by leveraging the Unified Access Data Plane's (UADP) ability to create resources to optimize table sizes for different places in the network. Based on how the switch is used in the network, an appropriate flexible ASIC template may be selected to configure the switch for specific features.

The following flexible ASIC templates are supported on Cisco Catalyst 9400 Series switches:

- **Access:** Maximizes system resources for MAC addressing and security.
- **Core:** Maximizes system resources for unicast and multicast routing.
- **Software-Defined access (SD-Access):** Maximizes system resources to support fabric deployment.
- **Network Address Translation (NAT):** Maximizes system resources for Layer 3 and NAT to support collapsed core WAN deployments.

¹ Currently not supported on C9400X-SUP-2/2XL in software.

Table 4. Cisco Catalyst 9400 Series switches and flexible ASIC templates

Supervisor Engine	C9400-SUP-1	C9400-SUP-1XL/ C9400-SUP-1XL-Y		
Template name	Access	Access	Core	SDA
IPV4 /IPV6 LPM	64,000 / 32,000	64,000 / 32,000	64,000 / 32,000	64,000 / 32,000
IPV4/ IPV6 Host	48,000 / 24,000	48,000 / 24,000	32,000 / 16,000	80,000 / 40,000
IGMP snooping entries	16,000	16,000	16,000	16,000
Multicast route	16,000	16,000	32,000	16,000
MAC address	64,000	64,000	16,000	16,000
SGT label	8,000	8,000	8,000	8,000
Flexible NetFlow	384,000	384,000	384,000	384,000
Security ACL	18,000	18,000	18,000	18,000
QoS ACL	18,000	18,000	18,000	18,000
PBR / NAT	2,000	2,000	2,000	2,000
Tunnel	1000	1000	1000	1000
LISP	1000	1000	1000	1000
MPLS L3VPN VRF	256	256	256	N/A
MPLS label	12000	12000	16000	N/A
MPLS L3VPN routes VRF	32000	32000	32000	N/A
MPLS L3VPN routes prefix	4000	4000	4000	N/A

Custom ASIC templates

Custom ASIC templates enable users to configure individual features based on the network requirements. Custom ASIC template is available on C9400X-Sup2/2XL starting with Cisco IOS XE 17.11.1 release.

Table 5. Cisco Catalyst 9400 Series switches with C9400X-Sup2/2XL and custom ASIC templates

Feature	Default Value	Scale Values (Min – Max)	Step Units
Forward Information Base (FIB) Features			
MAC address	32,000	32,000 – 128,000	16,000
Unicast routes (IPv4/IPv6)	64,000	64,000 – 256,000	16,000
IGMP snooping entries	16,000	0 – 32,000	16,000
Multicast routes	16,000	0 – 32,000	16,000
SGT/MPLS	32,000	0 – 64,000	32,000
Ingress Netflow	32,000	0 – 64,000	32,000
Egress Netflow	0	0 – 64,000	32,000
Total FIB Resources:			416,000
ACL Features			
Ingress security ACL	4,000	4,000 – 26,000	2,000
Egress security ACL	4,000	4,000 – 26,000	2,000
Ingress QoS ACL	1,000	1,000, 2,000 – 16,000	2,000
Egress QoS ACL	1,000	1,000, 2,000 – 16,000	2,000
Netflow ACL	1,000	1,000 – 2,000	1,000
PBR/NAT	2,000	1,000, 2,000 – 16,000	1,000
LISP	1,000	1,000 – 2,000	1,000
Tunnels	1,000	1,000 – 3,000	1,000
Total ACL Resources:			52,000

Packet walks

This section provides a high-level overview of how packet forwarding is performed on the Cisco Catalyst 9400 Series Switches. The packet walk described below is the same for all Cisco Catalyst 9400 Supervisors based on UADP 3.0sec and 2.0 XL.

Ingress and egress unicast forwarding within the ASIC

Figure 38 shows the basic sequence of events when packets enter the Cisco Catalyst 9400 Series front panel ports for unicast packet forwarding within the ASIC.

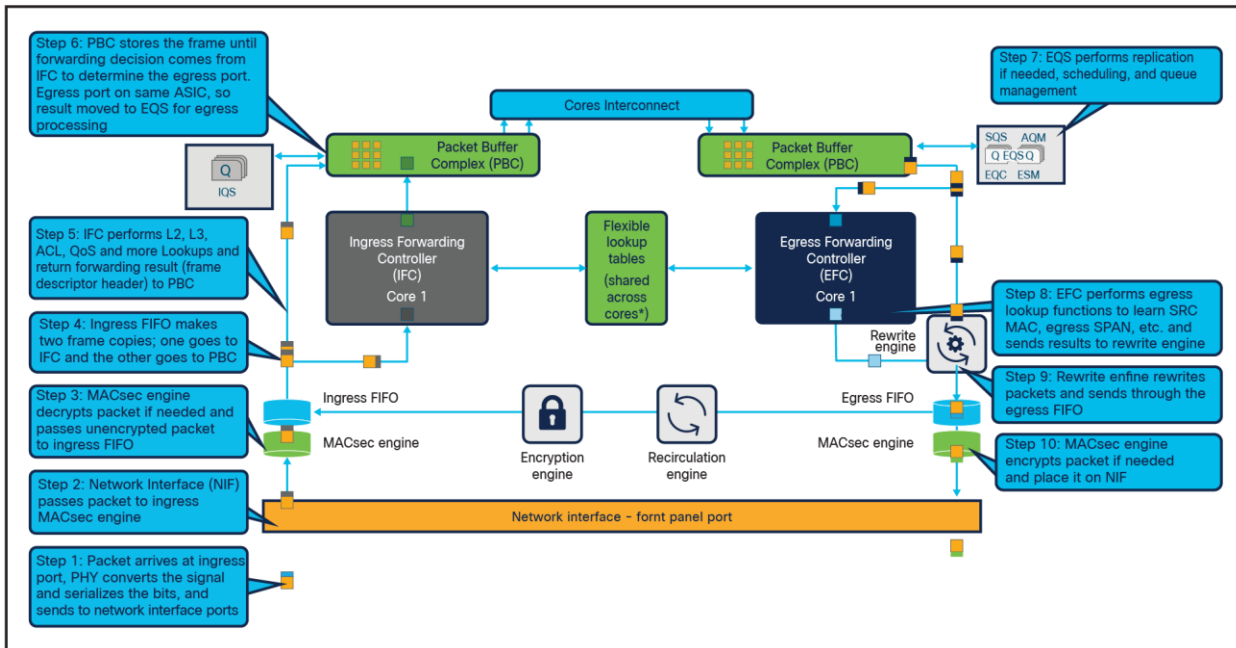


Figure 42.
Unicast packet walk within single ASIC Core

1. Packet arrives at ingress port; PHY converts the signal and serializes the bits, and then sends the packet to the Network Interface (NIF) on the ASIC.
2. NIF passes packet to ingress MACsec engine. The NIF also implements 1588 timestamping and EEE if enabled.
3. MACsec engine is fixed-latency cryptography engine to support 802.1AE MAC Security and core cryptography of Layer 2 input frames that go to the ingress FIFO. It decrypts the packet if needed at line rate.
4. Ingress FIFO makes two frame copies and sends one to IFC and the other one to PBC in parallel.
5. IFC performs L2, L3, ACL, QoS Lookups and more to return forwarding result (frame descriptor header) to PBC.

6. PBC is the primary packet store on the UADP ASIC and holds the packet until forwarding decision from IFC come; Once the forwarding decision comes the packet is kept into PBC if the egress port is on same core or send over Core Interconnect link to the peer Core. Start Egress processing which includes: Egress Queues and Scheduler (EQS) is responsible for queue management, replication if needed, and scheduling packets. It enqueues packets arriving from the local ingress path into the egress queue structures and then schedules them for transmission to the corresponding egress ports. Then packet header is sent for processing at Egress Forwarding Controller (EFC).
7. EFC completes egress lookup functions (such as egress switched port analyzer [SPAN], Security ACL, QoS remarking/policing, recirculation and more) and sends the final rewrite descriptor to the RWE.
8. RWE performs packet rewrite with the final descriptor and sends the packet to the egress port FIFO, which provides storage for frames awaiting transmission to either the NIF or the recirculation path.
9. Egress MACsec performs a wire-rate encryption if required by the frame for 802.1AE and then passes the frame on to the NIF. Packet is ready to leave the ASIC and be sent out by the port.

Ingress and egress unicast forwarding across ASICs

Figure 42 shows the basic sequence of events when unicast packets enter the Cisco Catalyst 9400 Series front panel ports and is sent across the ASIC interconnect link.

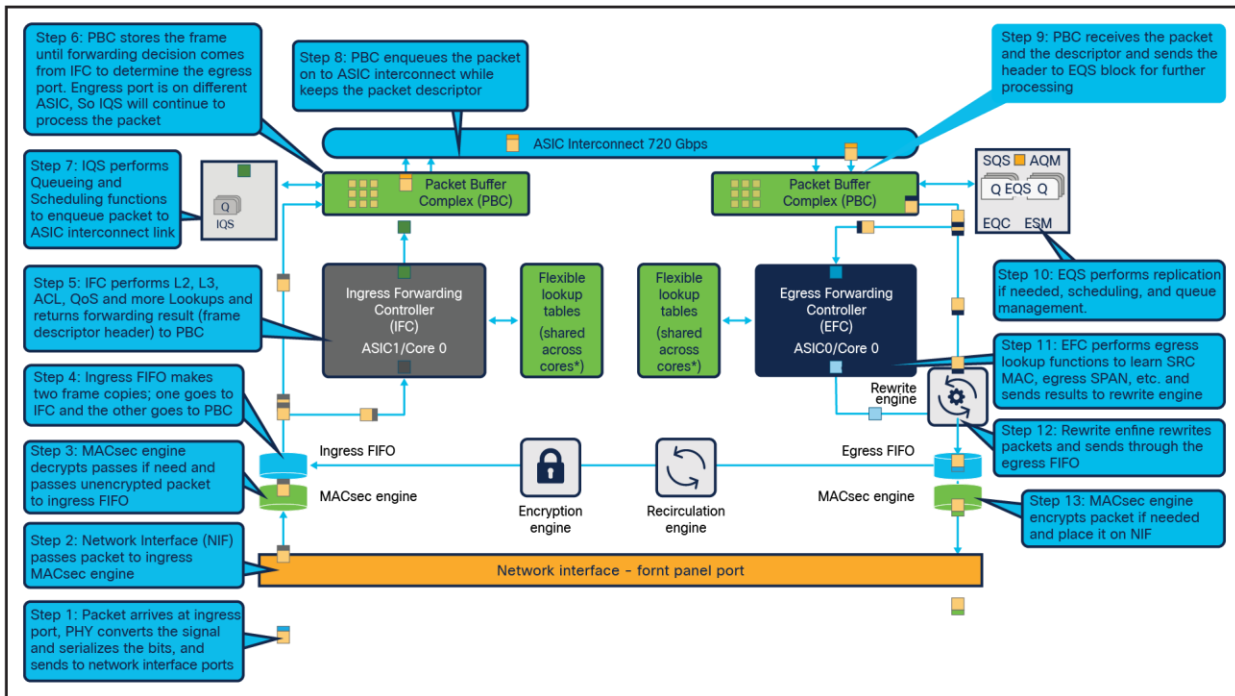


Figure 43.
Unicast packet walk across ASICs

10. Packet arrives at ingress port; PHY converts the signal and serializes the bits, and then sends the packet to the Network Interface (NIF) on the ASIC.
11. NIF passes packet to ingress MACsec engine. The NIF also implements 1588 timestamping and EEE if enabled.

-
12. MACsec engine is fixed-latency cryptography engine to support 802.1AE MAC Security and core cryptography of Layer 2 input frames that go to the ingress FIFO. It decrypts the packet if needed at line rate.
 13. Ingress FIFO makes two frame copies and sends one to IFC and the other one to PBC in parallel.
 14. IFC performs L2, L3, ACL, QoS Lookups and more to return forwarding result (frame descriptor header) to PBC.
 15. PBC is the primary packet store on the UADP ASIC and holds the packet until forwarding decision from IFC come; Once the forwarding decision comes the packet will be sent over ASIC interconnect link but first it will go to Ingress Queue Scheduling (IQS) block which queues the packets to the stack link.
 16. IQS performs queuing and managing congestion to the stack interface.
 17. PBC enqueue the packet to the stack interface based on its priority.
 18. PBC on Egress ASIC receives the packet and start egress processing into Egress Queues and Scheduler (EQS).
 19. EQS is responsible for queue management, replication if needed, and scheduling packets. It enqueues packets arriving from the local ingress path into the egress queue structures and then schedules them for transmission to the corresponding egress ports. Then packet header is sent for processing at Egress Forwarding Controller (EFC).
 20. EFC completes egress lookup functions (such as egress switched port analyzer [SPAN], Security ACL, QoS remarking/policing, recirculation and more) and sends the final rewrite descriptor to the RWE.
 21. RWE performs packet rewrite with the final descriptor and sends the packet to the egress port FIFO, which provides storage for frames awaiting transmission to either the NIF or the recirculation path.
 22. Egress MACsec performs a wire-rate encryption if required by the frame for 802.1AE and then passes the frame on to the NIF. Packet is ready to leave the ASIC and be sent out by the port.

Note: SUP-2/2XL 1G is supported with the following transceivers and IOS XE releases

- Transceivers: SFP-1G-LH and SFP-1G-SX.
- IOS XE releases: 17.15.1 or later [Also with 17.12.4 and 17.9.6].

Conclusion

Cisco Catalyst 9400 Series switches are enterprise-class access and distribution switches in the Cisco Catalyst 9000 family, offering a comprehensive portfolio and architectural flexibility with 1/10 Gbps downlink ports and 10/25/40/100 Gbps uplink ports. This new platform is based on Cisco's next-generation programmable UADP ASIC for increased bandwidth, scale, security, and telemetry. The platform also supports infrastructure investment protection with nondisruptive migration from 10 Gbps to 25 Gbps and beyond. The Cisco Catalyst 9400 Series is built on a modular system architecture designed to provide high performance to meet the evolving needs of highly scalable and growing enterprise networks.

References

The following websites offer more details on the Cisco Catalyst 9400 Series and its capabilities.

- [Cisco Catalyst 9400 Series Switches Data Sheet](#)
- [Cisco Catalyst 9400 Series Switches Hardware Installation Guide](#)
- [Cisco Catalyst 9400 Supervisor Engine-1 Data Sheet](#)
- [Cisco Catalyst 9400 Supervisor Engine-2 Data Sheet](#)
- [Cisco Catalyst 9400 Series Line Cards Data Sheet](#)
- [Cisco Catalyst 9000 - Switching for a New Era of Intent-based Networking](#)
- [25GE and 100GE - Enabling Higher Speeds in Enterprise with Investment Protection White Paper](#)

Americas Headquarters
Cisco Systems, Inc.
San Jose, CA

Asia Pacific Headquarters
Cisco Systems (USA) Pte. Ltd.
Singapore

Europe Headquarters
Cisco Systems International BV Amsterdam,
The Netherlands

Cisco has more than 200 offices worldwide. Addresses, phone numbers, and fax numbers are listed on the Cisco Website at <https://www.cisco.com/go/offices>.

Cisco and the Cisco logo are trademarks or registered trademarks of Cisco and/or its affiliates in the U.S. and other countries. To view a list of Cisco trademarks, go to this URL: <https://www.cisco.com/go/trademarks>. Third-party trademarks mentioned are the property of their respective owners. The use of the word partner does not imply a partnership relationship between Cisco and any other company. (1110R)