

Cisco Webex



Cisco Webex Room 70 Panorama Upgrade

Contents

Features and benefits	4
Cisco Webex Room 70 Dual G2 with Panorama upgrade registration	5
Product specifications	6
Regulatory compliance	8
Standards	8
Ordering information	8
Warranty information	9
Cisco environmental sustainability	9
Cisco services and support	9
Cisco Capital	10
For more information	10

The Cisco Webex Room 70 Panorama is based on the Room 70 Dual G2. For existing deployments there is an option of an upgrade package from Cisco. This will include everything needed to convert an existing Room 70 Dual G2 to a Room 70 Panorama.

For detailed information on the Room 70 G2 refer to the data sheet:

<https://www.cisco.com/c/en/us/products/collateral/collaboration-endpoints/webex-room-series/datasheet-c78-741269.html>.

The upgrade includes everything you need to convert Room 70D G2 to a Panorama system, including:

- One 65- or 55-inch Samsung 4K display for presentations
- Mounting bracket for presentation display
- **Note:** The supported configurations are wall-mount, wall-secured floor-standing or free-standing mounting kit
 - 65-inch presentation display above system - wall mount or wall-secured floor-standing model only
 - 55-inch presentation display below system - wall-secured floor-standing or free-standing model only
- Extra HDMI cable for camera to codec
- Cisco Webex® Room 70 Panorama product key
- **Note:** The Cisco® Webex Room 70 Panorama is shipped with a lower floor stand kit than what is default on the Webex Room 70D G2. A lower floor stand kit can be ordered as an option. See ordering information later in this data sheet.

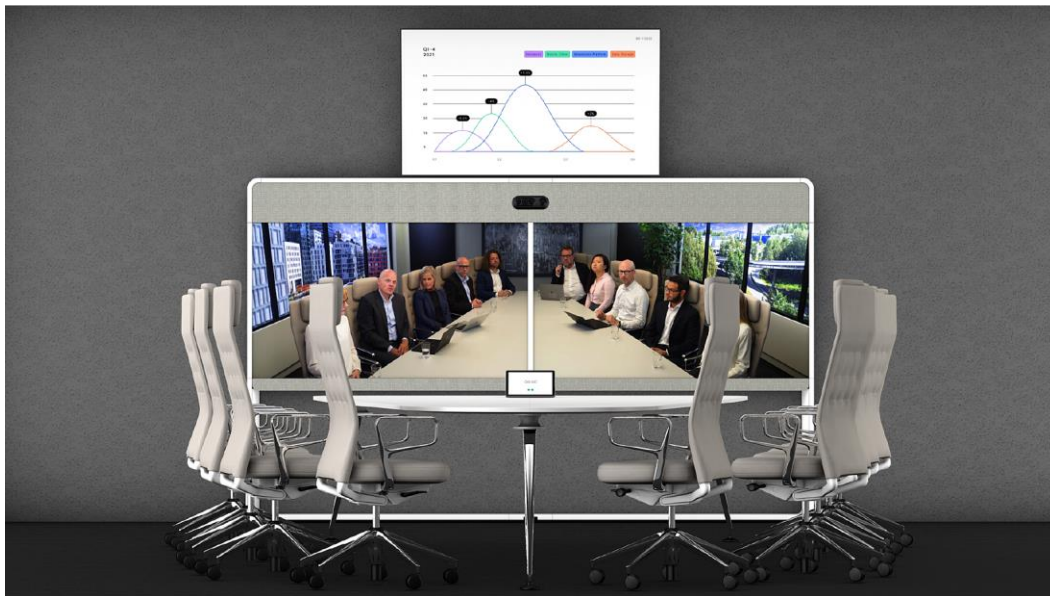


Figure 1.
Overview of the Cisco Webex Room 70 Dual G2 with Panorama upgrade

Features and benefits

Table 1 outlines key features and benefits of the Room 70 Dual G2 with Panorama upgrade.

Table 1. Webex Room 70 Dual G2 with Panorama upgrade features and benefits

Feature	Benefits
Design features	<ul style="list-style-type: none"> • One of the most powerful and feature-rich video systems available with the ultimate in video and audio quality • Panorama main video • Next-generation UHD (4K) video collaboration codec • Next-generation HD fully automatic camera • Include 3 displays: Two 70-inch displays for video and one 65/55-inch for presentation • Everything you need in one unit (displays, speakers, codec, camera, touch user interface, microphones, mounting accessories) • Wall-mount, wall-secured floor-standing or free-standing mounting kit <ul style="list-style-type: none"> ◦ 65-inch presentation display above system - wall mount or wall-secured floor standing only ◦ 55-inch presentation display below system - wall-secured floor standing or free standing only • Standards-compliant 1080p and 2160p solution - compatible with standards-based video without losing features
Smart meetings	<ul style="list-style-type: none"> • Brings intelligent views to medium- to large-sized rooms with discreet, integrated cameras <ul style="list-style-type: none"> ◦ Panorama video - uses multiple camera lenses together to create a wide panorama view ◦ Best overview - automatically detects meeting participants and provides ideal framing ◦ Speaker tracking - detects and switches between active speakers and provides ideal framing • Great audio experience with integrated speakers and external microphones • Automatic wake-up - System “wakes up” when someone walks into the room, and recognizes them through their mobile device • Easily controlled by the Cisco Webex Room Navigator or with a Cisco Webex™ app-enabled device • Supports switched conferencing for enhanced layouts and enabling video on multiple displays • Participate in Webex whiteboarding sessions from the Webex Teams app; receive on-screen notification of shared whiteboard content (supported on cloud-registered devices) • HD collaboration with 1080p60 video and 2160p15 content • Simplified meeting-join experience with one button to push (OBTP) • End-to-end security
Smart presentations	<ul style="list-style-type: none"> • Utilizes three displays for video and content • Supports triple content sources for local meetings • 4K content sharing (local 30 fps; remote 15 fps) • Wired or wireless content sharing (supports Cisco Intelligent Proximity for content sharing to mobile devices and wireless sharing from Macs and PCs)
Smart integrations	<ul style="list-style-type: none"> • Metrics - counts people in the room, enabling analytics for better resource planning • Supports Wi-Fi • Easily control room peripherals such as lights, room dividers, and curtains, directly from the Cisco Webex Room Navigator control unit through customizable APIs (requires external third-party control system processor)

Feature	Benefits
Performance features	<ul style="list-style-type: none"> • Optimal definition up to 1080p60 • H.323/SIP up to 16 Mbps point to point • 6 simultaneous video inputs - three 4K and three full HD • Connect up to 8 microphones directly to the codec • Full duplex audio with high-quality stereo sound • Full Application Programming Interfaces (APIs) • Cisco Media Assure packet loss protection (Cisco ClearPath also supported)
Built for cloud and premises	<ul style="list-style-type: none"> • Flexibility to register on the premises or to the cloud through Webex • Hardware is optimized to run on a cloud platform for great experiences in shared rooms and spaces with easy access to hosted conferences



Figure 2.
Cisco Webex Room 70 Dual G2 with Panorama upgrade in a large conference room.

Cisco Webex Room 70 Dual G2 with Panorama upgrade registration

Table 2. Available licenses and terms

License level	Term
Cisco Webex Device Subscription	Monthly or 1-, 2-, 3-, 4-, or 5-year options

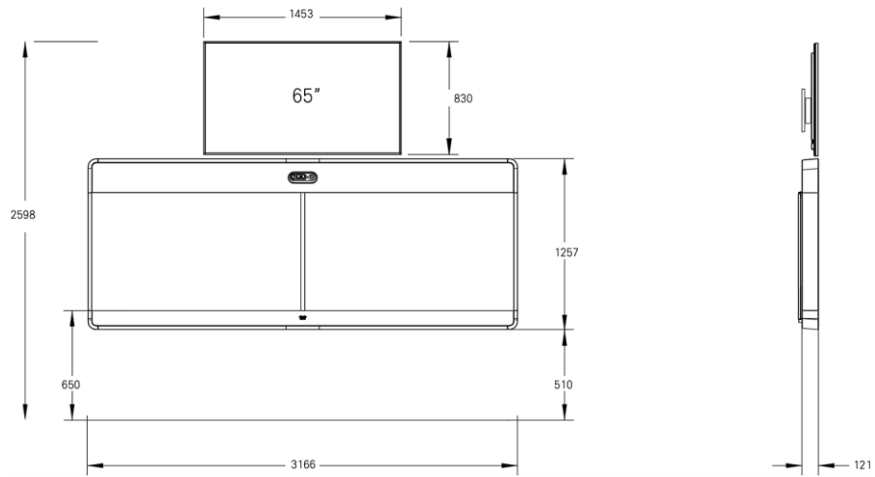
Product specifications

Table 3. Specifications

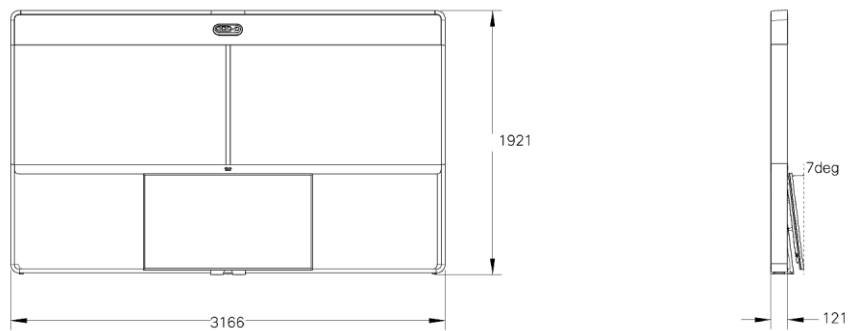
Specification	Description	
Software compatibility	<ul style="list-style-type: none"> • Cisco Collaboration Endpoint Software Version 9.14.5 or later, or Cisco Webex RoomOS 	
Default components in Webex Room 70 Panorama upgrade pack	<ul style="list-style-type: none"> • 1x 65/55-inch presentation display • Mounting brackets for presentation display either above or below • Mounting options are wall-mount, wall-secured floor-standing or free-standing mounting kit <ul style="list-style-type: none"> ◦ 65-inch presentation display above system - wall mount or wall-secured floor standing only ◦ 55-inch presentation display below system - wall-secured floor standing or free standing only • 1x HDMI cable (second camera cable) • 1x HDMI cable and ethernet cable for presentation display • Cisco Webex Room 70 Panorama product key 	
Display options	65-inch presentation display <ul style="list-style-type: none"> • Samsung LH65QMREBCCXEN • 65-inch VA-LCD display, edge LED • Resolution: 3840 x 2160 (16:9), 4K UHD • Contrast ratio: Typical 4000:1 • Viewing angle: +/-89 degrees • Response time: Typical 8 ms • Brightness: 300 cd/m2 	55-inch presentation display <ul style="list-style-type: none"> • Samsung LH55QMREBCCXEN • 55-inch VA-LCD display, edge LED • Resolution: 3840 x 2160 (16:9), 4K UHD • Contrast ratio: Typical 4000:1 • Viewing angle: +/-89 degrees • Response time: Typical 8 ms • Brightness: 300 cd/m2
Optional hardware components	<ul style="list-style-type: none"> • Additional table microphones, ceiling microphone 	
Dimensions	<div style="text-align: center;"> </div> <ul style="list-style-type: none"> • Webex Room 70 Panorama with 65-inch presentation display and floor standing: <ul style="list-style-type: none"> ◦ Width: 124.65 in (3166 mm) ◦ Height: 104.41 in (2652 mm) ◦ Depth: 4.76 in (121 mm) ◦ Weight: 546.8 lb (248 kg) 	

Specification

Description



- Webex Room 70 Panorama with 65-inch presentation display and wall mount:
 - Width: 124.65 in (3166 mm)
 - Height: 102.28 in (2598 mm)
 - Depth: 4.76 in (121 mm)
 - Weight: 560 lb (254 kg)



- Webex Room 70 Panorama with 55-inch presentation display below and floor standing:
 - Width: 124.65 in (3166 mm)
 - Height: 75.63 in (1921 mm)
 - Depth: 4.76 in (121 mm)
 - Weight: 519 lb (235.5 kg)

Packaging

- 1 pallet

Regulatory compliance

- Directive 2014/30/EU (EMC Directive) and Directive 2014/35/EU (Low-Voltage Directive) for the non-radio versions
- Directive 2014/53/EU (Radio Equipment Directive) for the radio versions
- Directive 2011/65/EU (RoHS)
- Directive 2002/96/EU (WEEE)
- NRTL approved (product safety)
- FCC listed (radio equipment)

Standards

- Radio: EN 300 328, EN 301 893, EN 300 440 (only for the radio versions)
- EMC: EN 301 489-1 and -17 (only for the radio versions), EN 55032 - Class A, EN 55024
- Safety: EN 60950-1 (for radio and non-radio), EN 62479, EN 62311 (for the radio versions)
- FCC CFR 47 Part 15B (EMC) - Class A
- FCC CFR 47 Part 15C (RF)
- FCC CFR 47 Part 15E (RF)

Check the Product Approval Status Database at <https://www.ciscofax.com/> for approval documents per country.

Ordering information

To place an order, contact your local Cisco representative and refer to Table 4.

Table 4. Ordering information

Product name	Part number	Compliance model number
Cisco Webex Room 70 Panorama upgrade	CS-R70P-UPG-BUN	
Presentation screen mounting		
Above presentation screen mount	CS-R70-PRES-TOP	
Below presentation screen mount	CS-R70-PRES-BTM	
Presentation screen option		
Samsung 55-inch presentation screen	CS-PANO-MON55	
Samsung 65-inch presentation screen	CS-PANO-MON65	

Product name	Part number	Compliance model number
Options		
Cisco Table Microphone	CS-MIC-TABLE-E	
Cisco Multi-Connector Presentation Cable (HDMI to Multi (DP, mini-DP and HDMI) cable 9m)	CAB-HDMI-MULT-9M	
Extension cable for Table Microphone	CAB-MIC-EXT-E	
Software options - ordered separately		
Remote monitoring	L-ROOM-RM (L-TP-RM)	
Spares		
See separate spare part document		

Warranty information

Cisco Webex Room 70 Panorama has a 90-day limited liability warranty.

Cisco environmental sustainability

Information about Cisco’s environmental sustainability policies and initiatives for our products, solutions, operations, and extended operations or supply chain is provided in the “Environment Sustainability” section of Cisco’s [Corporate Social Responsibility](#) (CSR) Report.

Reference links to information about key environmental sustainability topics (mentioned in the “Environment Sustainability” section of the CSR Report) are provided in the following table:

Sustainability topic	Reference
Information on product material content laws and regulations	Materials
Information on electronic waste laws and regulations, including products, batteries, and packaging	WEEE compliance

Cisco makes the packaging data available for informational purposes only. It may not reflect the most current legal developments, and Cisco does not represent, warrant, or guarantee that it is complete, accurate, or up to date. This information is subject to change without notice.

Cisco services and support

Cisco and our partners provide a broad portfolio of smart, personalized services and support that can help you realize the full business value of your Cisco collaboration investment by increasing business agility and network availability. This portfolio of services accelerates business innovation by harnessing the network as a powerful business platform. For more information about these services, visit:

<https://www.cisco.com/go/collaborationservices>.

Cisco Capital

Flexible payment solutions to help you achieve your objectives

Cisco Capital makes it easier to get the right technology to achieve your objectives, enable business transformation and help you stay competitive. We can help you reduce the total cost of ownership, conserve capital, and accelerate growth. In more than 100 countries, our flexible payment solutions can help you acquire hardware, software, services and complementary third-party equipment in easy, predictable payments. [Learn more.](#)

For more information

- Learn more about [Cisco Webex Room 70 Panorama](#)
- Download the [Cisco Webex app](#)

Americas Headquarters
Cisco Systems, Inc.
San Jose, CA

Asia Pacific Headquarters
Cisco Systems (USA) Pte. Ltd.
Singapore

Europe Headquarters
Cisco Systems International BV Amsterdam,
The Netherlands

Cisco has more than 200 offices worldwide. Addresses, phone numbers, and fax numbers are listed on the Cisco Website at <https://www.cisco.com/go/offices>.

Cisco and the Cisco logo are trademarks or registered trademarks of Cisco and/or its affiliates in the U.S. and other countries. To view a list of Cisco trademarks, go to this URL: <https://www.cisco.com/go/trademarks>. Third-party trademarks mentioned are the property of their respective owners. The use of the word partner does not imply a partnership relationship between Cisco and any other company. (1110R)