

# FM-HORN-30

Fluidmesh is now part of Cisco.

## Connectorized symmetrical horn antenna with carrier class performance

The FM-HORN-30 offers unique RF performance in a very compact package. Scalar horn antennas have symmetrical beams with identical patterns in the Vertical and Horizontal plain. Extremely small side lobes secure greatly decreased interference. FM-HORN Antennas are ideal for covering areas with close in clients where null zone issues occur. High density AP clusters and radio co-location is now practical due to very unique RF radiation patterns and compact size. FM-HORN-30 antenna is equipped with N-female connectors.



### TECHNICAL DATA

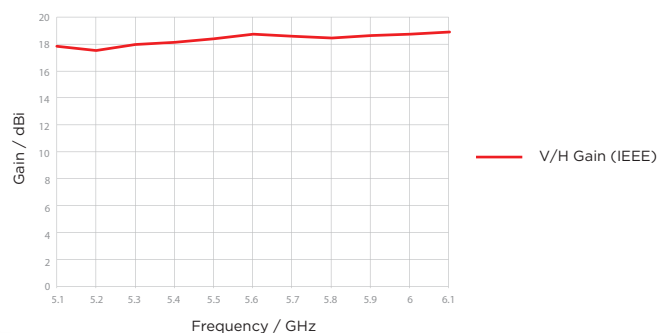
<b>Radio Connection</b>	2x N Female Bulkhead Connector
<b>Antenna Type</b>	Horn
<b>Materials</b>	UV Resistant polycarbonate, Polypropylene, Aluminium, Zinc, Stainless Steel
<b>Enviromental</b>	IP55
<b>Pole Mounting Diameter</b>	15-86 mm
<b>Temperature</b>	-30°C to +55°C (-22°F to +131°F)
<b>Wind Survival</b>	160 km/hour
<b>Mechanical Tilt</b>	± 25°
<b>Weight</b>	2.3 Kg / 5.1 lbs* - single unit 3.2 Kg / 7.1 lbs* - single unit incl. package N/A Kg / lbs - carton (N/A units)
<b>Single Unit</b>	Retail Box: 33 × 30 × 23 cm*
<b>N/A Units</b>	Carton Box: N/A

\*Estimation based on pre-production units. Subject to change.

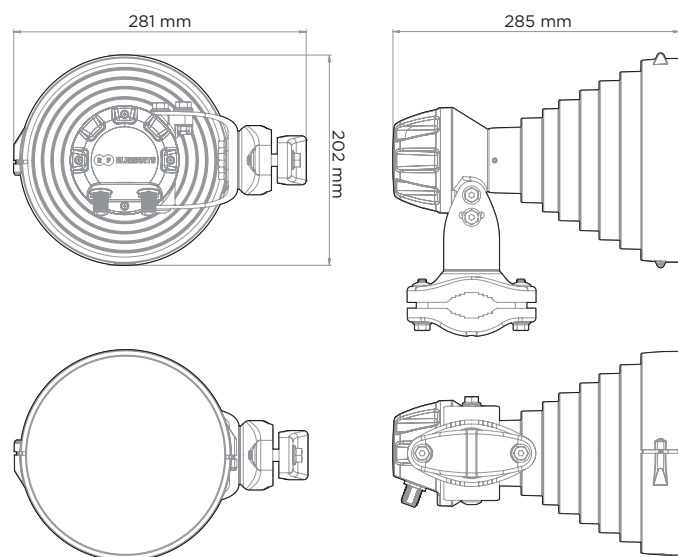
### PERFORMANCE

<b>Frequency Range</b>	5180 - 6100 MHz
<b>Gain</b>	18.5 dBi
<b>Azimuth/Elevation Beam Width -3 dB</b>	H 21° / V 21°
<b>Azimuth/Elevation Beam Width -6 dB</b>	H 30° / V 30°
<b>Front-to-Back Ratio</b>	41 dB
<b>VSWR Max</b>	1.8
<b>Polarization</b>	Dual Linear H + V
<b>Impedance</b>	50 Ohm

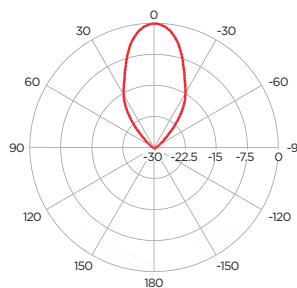
### GAIN



### PRODUCT DIMENSIONS

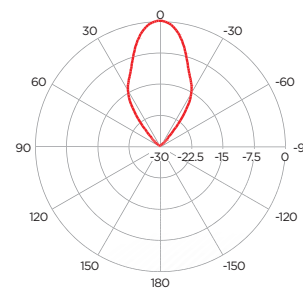


### AZIMUTH PATTERN



V/H - Port Pattern Azimuth 5.6 GHz

### ELEVATION PATTERN



V/H - Port Pattern Elevation 5.6 GHz

Fluidmesh Networks products are installed locally by professional System Integrators and are available worldwide through a network of Authorized Dealers. For additional information please call +1.617.209.6080 or visit us at fluidmesh.com



**HEADQUARTERS.**  
81 PROSPECT ST.  
BROOKLYN  
NY 11201, USA

**TELEPHONE.**  
+1.617.209.6080  
**FAX.**  
+1.866.458.1522

**EMAIL.**  
INFO@FLUIDMESH.COM  
**WEB.**  
FLUIDMESH.COM