



Nortel CS1000M Release 4.0 using T1 QSIG to Cisco Unified Communications Manager 6.0 and Cisco Emergency Responder 2.0

Cisco Confidential

This document contains valuable trade secrets and confidential information belonging to Cisco Systems, Inc. and its suppliers. The aforementioned shall not be disclosed to any person, organization, or entity, unless such disclosure is subject to the provisions of a written non-disclosure and proprietary rights agreement, or intellectual property license agreement, approved by Cisco Systems, Inc. The distribution of this document does not grant any license or rights, in whole or in part, to its content, the product(s), the technology(ies), or intellectual property, described herein.

Disclaimer

THE SPECIFICATIONS AND INFORMATION REGARDING THE PRODUCTS IN THIS DOCUMENT ARE SUBJECT TO CHANGE WITHOUT NOTICE. ALL STATEMENTS, INFORMATION, AND RECOMMENDATIONS IN THIS DOCUMENT ARE BELIEVED TO BE ACCURATE BUT ARE PRESENTED WITHOUT WARRANTY OF ANY KIND, EXPRESS OR IMPLIED. USERS MUST TAKE FULL RESPONSIBILITY FOR THEIR APPLICATION OF ANY PRODUCTS.

THE CUSTOMER ASSUMES ALL RESPONSIBILITY FOR PROPERLY CONFIGURING THE CISCO EMERGENCY RESPONDER. CISCO HEREBY DISCLAIMS ANY AND ALL LIABILITY ARISING FROM OR IN CONNECTION WITH A USERS INABILITY TO REACH EMERGENCY SERVICE RESPONDERS (INCLUDING INABILITY TO ACCESS A PUBLIC SAFETY ANSWERING POINT) OR THE INABILITY OF EMERGENCY SERVICE RESPONDERS TO IDENTIFY A USERS LOCATION. CISCO STRONGLY RECOMMENDS THAT ALL CUSTOMERS VERIFY AND TEST CONFIGURATION OF THE CISCO EMERGENCY RESPONDER IMMEDIATELY FOLLOWING INITIAL CONFIGURATION AND ON A PERIODIC BASIS THEREAFTER. CISCO FURTHER RECOMMENDS THAT ALL CUSTOMERS PROVIDE ADEQUATE TRUNK AND BANDWIDTH CAPACITY TO ENSURE THAT AUDIO PATHS ARE AVAILABLE FOR EMERGENCY CALLS.

IN NO EVENT SHALL CISCO OR ITS SUPPLIERS BE LIABLE FOR ANY INDIRECT, SPECIAL, CONSEQUENTIAL, OR INCIDENTAL DAMAGES, INCLUDING, WITHOUT LIMITATION, LOST PROFITS OR LOSS OR DAMAGE TO DATA ARISING OUT OF THE USE OR INABILITY TO USE THIS PRODUCT, EVEN IF CISCO OR ITS SUPPLIERS HAVE BEEN ADVISED OF THE POSSIBILITY OF SUCH DAMAGES.

July 11, 2007 Initial version

Table of Contents

Introduction	2
Network Topology.....	2
Limitations.....	3
System Components	3
Hardware Requirements	3
Software Requirements	3
Features	3
Features Supported.....	3
Configuration.....	4
Configuring Cisco Unified Communications Manager	4
Configuring Cisco Emergency Responder	42
Configuring the Cisco Catalyst 6000.....	66
Configuring the Nortel CS1000M with Succession 4.0 Software Release PBX.....	68
Acronyms	74



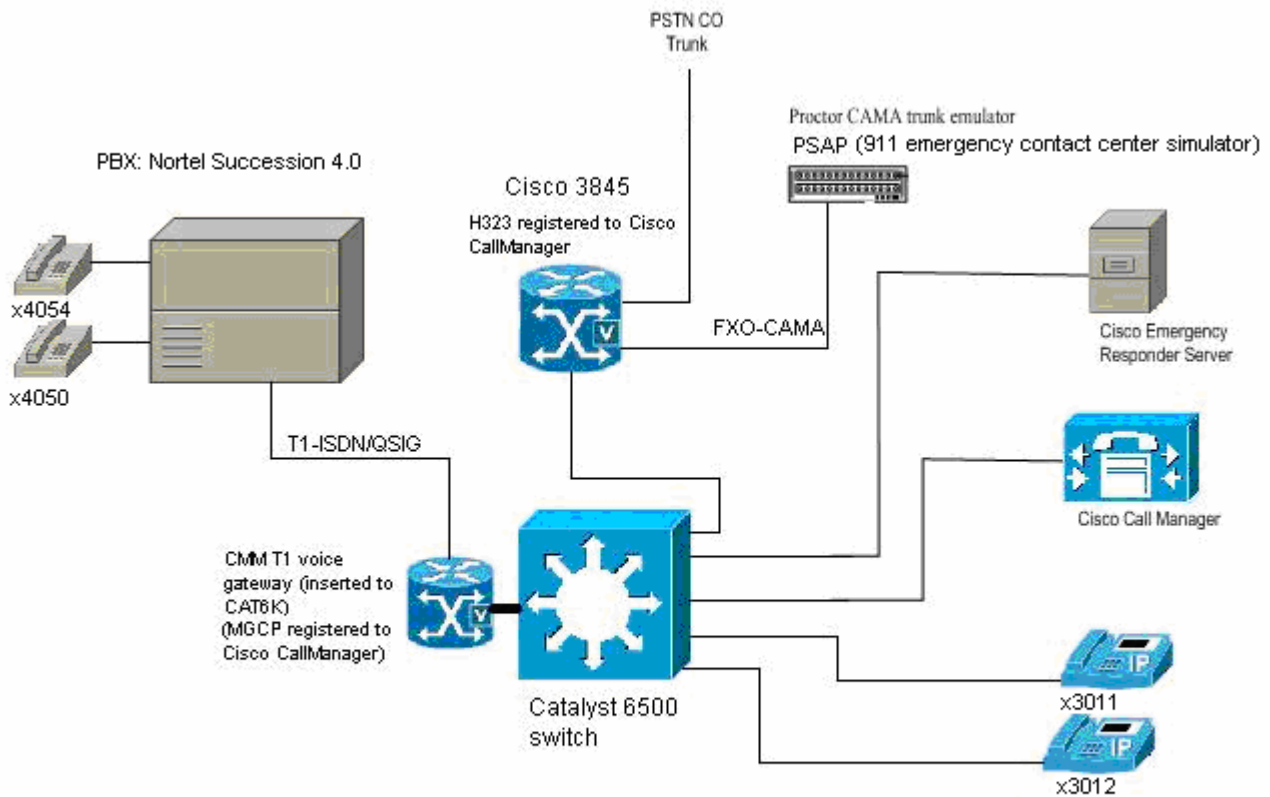
Introduction

The following is an Application Note for E911 Interoperability of a Cisco Unified Communications Manager 6.0 and Cisco Emergency Responder 2.0 to a Nortel CS1000M Succession 4.0 PBX via a Cisco Media Module CMM T1-QSIG trunk. The CUCM system is connected to a simulated E911 PSAP (Public Safety Answering Point) via a Cisco 3845 w/ CAMA trunk registered using H323.

The Network Topology diagram shows the test set-up for interoperability between the Cisco Unified Communications Manager and Cisco Emergency Responder connected to the PBX via a T1 QSIG trunk using Cisco WS-SVC-CMM-6T1 MGCP gateway and connection to E911 PSAP using a Cisco 3825 H323 gateway via a CAMA trunk.

Network Topology

Figure 1. Network Topology or Test Setup





Limitations

Unique DID numbers must be used to associate with each Emergency Response Location to allow the return call if the 911 caller is disconnected.

Each available calling party that might dial 911 from the PBX side must have that calling party number configured in the Manually Configured Phones screen of the Cisco Emergency Responder.

System Components

Hardware Requirements

Cisco Hardware

- Cisco 3825 Gateway with VIC2-4FXO (CAMA trunk)
- Cisco WS-SVC-CMM-6T1 Communications Media Module (inserted into cat6K)
- Cisco Cat6K switch
- Cisco Unified Communications Manager server
- Cisco Emergency Responder server
- Nortel Succession PBX

Software Requirements

- IOS Software release "c3825-ipvoice-mz.124-11.T"
- IOS Software release "wscmm-ipvoicek9-mz.124-11.T"
- PBX Software: Version 4.0
- Cisco Unified Communications Manager 6.0
- Cisco Emergency Responder 2.0

Features

Features Supported

- Calling Number
- E911 ERL DID number passed to PSAP
- Incoming DID calling to disconnected 911 originating caller



Configuration

Configuring Cisco Unified Communications Manager

Partitions

The screenshot shows the 'Find and List Partitions' page in the Cisco Unified CM Administration interface. The page title is 'Find and List Partitions - Microsoft Internet Explorer'. The address bar shows the URL: <https://172.20.110.254:8443/ccmadmin/partitionFindList.do?<%=reqParams%>&recCnt=0&colCnt=3>. The page header includes the Cisco logo and the text 'Cisco Unified CM Administration For Cisco Unified Communications Solutions'. The user is logged in as 'CCMAdministrator'. The navigation menu includes: System, Call Routing, Media Resources, Voice Mail, Device, Application, User Management, Bulk Administration, and Help. The main content area has a title 'Find and List Partitions' and a toolbar with buttons: Add New, Select All, Clear All, and Delete Selected. Below the toolbar is a status bar showing '2 records found'. The main table has a header 'Partition (1 - 2 of 2)' and a 'Rows per Page' dropdown set to 50. The table has columns for 'Partition Name' and 'Description'. The table contains two rows: 'E911' and 'Phones'. Below the table is a toolbar with buttons: Add New, Select All, Clear All, and Delete Selected.

Partition Name	Description
E911	E911
Phones	Phones



Phone Partition

Partition Configuration - Microsoft Internet Explorer

File Edit View Favorites Tools Help

Back Forward Stop Home Search Favorites Refresh Print Mail

Address <https://172.20.110.254:8443/ccadmin/partitionEdit.do?key=99eaf347-e7cd-9b0f-f20c-202553dd382a> Go Links

Cisco Unified CM Administration
For Cisco Unified Communications Solutions

Navigation Cisco Unified CM Administration Go

CCMAdministrator About Logout

System Call Routing Media Resources Voice Mail Device Application User Management Bulk Administration Help

Partition Configuration Related Links: Back To Find/List Go

Save Delete Reset Add New

Status
Status: Ready

Partition Information

Name*

Description

Time Schedule

Time Zone Originating Device
 Specific Time Zone

Save Delete Reset Add New

i *- indicates required item.

Done Local intranet



E911 Partition

The screenshot shows the Cisco Unified CM Administration web interface in Microsoft Internet Explorer. The browser title is "Partition Configuration - Microsoft Internet Explorer". The address bar shows the URL: <https://172.20.110.254:8443/ccadmin/partitionEdit.do?key=85f12aea-2767-799f-5769-ebb3817b10f9>. The page header includes the Cisco logo and "Cisco Unified CM Administration For Cisco Unified Communications Solutions". The user is logged in as "CCAdministrator". The navigation menu includes: System, Call Routing, Media Resources, Voice Mail, Device, Application, User Management, Bulk Administration, and Help. The main content area is titled "Partition Configuration" and includes a "Related Links: Back To Find/List" button. Below this are action buttons: Save, Delete, Reset, and Add New. The "Status" section shows "Status: Ready". The "Partition Information" section contains the following fields:

- Name*: E911
- Description: E911
- Time Schedule: < None >
- Time Zone: Originating Device, Specific Time Zone (Greenwich Standard Time)

At the bottom of the form are buttons for Save, Delete, Reset, and Add New. A note at the bottom left states: "i * - indicates required item." The browser status bar at the bottom shows "Done" and "Local Intranet".



Calling Search Space

Find and List Calling Search Spaces - Microsoft Internet Explorer

File Edit View Favorites Tools Help

Back Forward Stop Home Search Favorites Refresh Print Mail

Address <https://172.20.110.254:8443/ccmadmin/cssFindList.do?<%=reqParams%>&recCnt=0&colCnt=3> Go Links

Cisco Unified CM Administration
For Cisco Unified Communications Solutions

Navigation Cisco Unified CM Administration Go

CCMAdministrator | About | Logout

System Call Routing Media Resources Voice Mail Device Application User Management Bulk Administration Help

Find and List Calling Search Spaces

+ Add New Select All Clear All Delete Selected

Status
2 records found

Calling Search Space (1 - 2 of 2)

Rows per Page 50

Find Calling Search Space where CSS Name begins with Find Clear Filter

<input type="checkbox"/>	CSS Name ^	Description	Copy
<input type="checkbox"/>	E911CSS		
<input type="checkbox"/>	PhonesCSS	PhonesCSS	

Add New Select All Clear All Delete Selected

Done Local Intranet



CSS phones

Calling Search Space Configuration - Microsoft Internet Explorer

File Edit View Favorites Tools Help

Back Forward Stop Home Search Favorites Refresh Print Mail

Address <https://172.20.110.254:8443/ccmadmin/cssEdit.do?key=c6323d13-33f1-643e-ee5a-4bbde3d51fe4> Go Links

Cisco Unified CM Administration
For Cisco Unified Communications Solutions

Navigation Cisco Unified CM Administration Go

CCMAdministrator | About | Logout

System Call Routing Media Resources Voice Mail Device Application User Management Bulk Administration Help

Calling Search Space Configuration Related Links: Back To Find/List Go

Save Delete Copy Add New

Status
Status: Ready

Calling Search Space Information

Name* PhonesCSS
Description PhonesCSS

Route Partitions for this Calling Search Space

Available Partitions** E911

Selected Partitions Phones

Save Delete Copy Add New

*- indicates required item.
**Selected Partitions are ordered by highest priority

Done Local intranet



CSS E911

Calling Search Space Configuration - Microsoft Internet Explorer

File Edit View Favorites Tools Help

Back Forward Stop Refresh Home Search Favorites Recycle Bin Mail Print

Address <https://172.20.110.254:8443/ccmadmin/cssEdit.do?key=5971417e-af33-5df0-cac6-a976303fe2cf> Go Links

Cisco Unified CM Administration
For Cisco Unified Communications Solutions

Navigation Cisco Unified CM Administration Go

CCMAdministrator | About | Logout

System Call Routing Media Resources Voice Mail Device Application User Management Bulk Administration Help

Calling Search Space Configuration Related Links: Back To Find/List Go

Save Delete Copy Add New

Status
Status: Ready

Calling Search Space Information

Name* E911CSS
Description

Route Partitions for this Calling Search Space

Available Partitions**

Selected Partitions
E911
Phones

Save Delete Copy Add New

i *- indicates required item.
i **Selected Partitions are ordered by highest priority

Done Local Intranet



CCM IP phones

Phone Configuration - Microsoft Internet Explorer

Address: <https://172.20.110.254:8443/ccmadmin/deviceEdit.do?key=a0eae5b-6d54-439b-8063-73426cffe3c>

Cisco Unified CM Administration
For Cisco Unified Communications Solutions

Navigation: Cisco Unified CM Administration Go

CCMAdministrator | About | Logout

System Call Routing Media Resources Voice Mail Device Application User Management Bulk Administration Help

Phone Configuration Related Links: Back To Find/List Go

Save Delete Copy Reset Add New

Status
Status: Ready

Association Information
Modify Button Items

1	Line [1] - 3011 in Phones
2	Line [2] - Add a new DN
3	Add a new SD
4	Add a new SD
5	Add a new SD
6	Add a new SD
----- Unassigned Associated Items -----	
7	Add a new SD
8	Add a new SURL
9	Add a new BLF SD
10	Add a new BLF Directed Call Park
11	Privacy
12	None

Phone Type
Product Type: Cisco 7960
Device Protocol: SCCP

Device Information

Registration	Registered with Cisco Unified Communications Manager CM-BARZA
IP Address	172.20.110.253
MAC Address*	000A416B8539
Description	Auto 3011
Device Pool*	Default View Details
Common Device Configuration	MigratedCommonDeviceConfig1 View Details
Phone Button Template*	Standard 7960 SCCP
Softkey Template	Standard User_CallBack
Common Phone Profile*	Standard Common Phone Profile
Calling Search Space	PhonesCSS
AAR Calling Search Space	< None >
Media Resource Group List	< None >
User Hold MOH Audio Source	< None >
Network Hold MOH Audio Source	< None >
Location*	Hub_None
AAR Group	< None >
User Locale	< None >
Network Locale	< None >
Built In Bridge*	Default
Privacy*	Default
Device Mobility Mode*	Default View Current Device Mobility Settings
Owner User ID	< None >
Phone Load Name	

Done Local Intranet



Phone Configuration - Microsoft Internet Explorer

File Edit View Favorites Tools Help

Address <https://172.20.110.254:8443/ccmadmin/deviceEdit.do?key=a0eae5b-6d54-439b-8063-73426cffe3c>

Cisco Unified CM Administration
For Cisco Unified Communications Solutions

Navigation Cisco Unified CM Administration Go

CCMAdministrator | About | Logout

System Call Routing Media Resources Voice Mail Device Application User Management Bulk Administration Help

Phone Configuration Related Links: Back To Find/List Go

Save Delete Copy Reset Add New

- Retry Video Call as Audio
- Ignore Presentation Indicators (internal calls only)
- Allow Control of Device from CTI
- Logged Into Hunt Group
- Remote Device

Protocol Specific Information

Packet Capture Mode* None

Packet Capture Duration 0

Presence Group* Standard Presence group

Device Security Profile* Cisco 7960 - Standard SCCP Non-Secure Profile

SUBSCRIBE Calling Search Space < None >

Unattended Port

Require DTMF Reception

RFC2833 Disabled

Certification Authority Proxy Function (CAPF) Information

Certificate Operation* No Pending Operation

Authentication Mode* By Null String

Authentication String

Generate String

Key Size (Bits)* 1024

Operation Completes By 2007 6 25 12 (YYYY:MM:DD:HH)

Certificate Operation Status: None

Note: Security Profile Contains Addition CAPF Settings.

Expansion Module Information

Module 1 < None >

Module 1 Load Name

Module 2 < None >

Module 2 Load Name

Local intranet



Phone Configuration - Microsoft Internet Explorer

Address: https://172.20.110.254:8443/ccadmin/deviceEdit.do?key=a0eae5b-6d54-439b-8063-73426cffe3c

Cisco Unified CM Administration
For Cisco Unified Communications Solutions

Navigation: Cisco Unified CM Administration

CCMAdministrator | About | Logout

System | Call Routing | Media Resources | Voice Mail | Device | Application | User Management | Bulk Administration | Help

Phone Configuration | Related Links: Back To Find/List

Save | Delete | Copy | Reset | Add New

External Data Locations Information (Leave blank to use default)

Information:
Directory:
Messages:
Services:
Authentication Server:
Proxy Server:
Idle:
Idle Timer (seconds):

Extension Information

Enable Extension Mobility
Log Out Profile: -- Use Current Device Settings --
Log in Time: < None >
Log out Time: < None >

MLPP Information

MLPP Domain: < None >
MLPP Indication*: Default
MLPP Preemption*: Default

Do Not Disturb

Do Not Disturb
DND Option*: Ringer Off
DND Incoming Call Alert: < None >

Product Specific Configuration Layout

Disable Speakerphone
 Disable Speakerphone and Headset
PC Port *: Enabled

Settings Access*: Enabled
Gratuitous ARP*: Enabled
PC Voice VLAN Access*: Enabled
Video Capabilities*: Disabled
Auto Line Select*: Disabled
Web Access*: Enabled

Save | Delete | Copy | Reset | Add New

i *- indicates required item.
i ** - Device reset is not required for changes to Packet Capture Mode and Packet Capture Duration.
i ***Note: Security Profile Contains Addition CAPF Settings.



Directory Number Configuration - Microsoft Internet Explorer

File Edit View Favorites Tools Help

Back Forward Stop Home Search Favorites Refresh Print Mail

Address: https://172.20.110.254:8443/ccmadmin/directoryNumberEdit.do?key=2f71871e-ecb0-925d-1bd1-23c94081253e&mapkey=84314f31-503d-204f-19e2-0256504c17cd&devicekey=a0eae5b-6d54-439b-8063-73426cffe3c&inc

Cisco Unified CM Administration
For Cisco Unified Communications Solutions

Navigation: Cisco Unified CM Administration Go

CCMAdministrator | About | Logout

System Call Routing Media Resources Voice Mail Device Application User Management Bulk Administration Help

Directory Number Configuration Related Links: Configure Device (SEP000A416B8539) Go

Save Delete Reset Add New

Status
Status: Ready

Directory Number Information

Directory Number* 3011

Route Partition Phones

Description

Alerting Name Rafa Marquez

ASCII Alerting Name Rafa Marquez

Allow Control of Device from CTI

Associated Devices SEP000A416B8539

[Edit Device](#) [Edit Line Appearance](#)

Dissociate Devices

Directory Number Settings

Voice Mail Profile < None > (Choose <None> to use system default)

Calling Search Space PhonesCSS

Presence Group* Standard Presence group

User Hold MOH Audio Source < None >

Network Hold MOH Audio Source < None >

Auto Answer* Auto Answer Off

AAR Settings

	Voice Mail	AAR Destination Mask	AAR Group
AAR	<input type="checkbox"/> or		< None >

Retain this destination in the call forwarding history

Done Local intranet



Directory Number Configuration - Microsoft Internet Explorer

File Edit View Favorites Tools Help

Address <https://172.20.110.254:8443/ccmadmin/directoryNumberEdit.do?key=2f71871e-ecb0-925d-1bd1-23c94081253e&mapkey=84314f31-503d-204f-19e2-0256504c17cd&devicekey=a0eae5b-6d54-439b-8063-73426cffe3c8inc> Go Links

Cisco Unified CM Administration
For Cisco Unified Communications Solutions

Navigation Cisco Unified CM Administration Go

CCMAdministrator | About | Logout

System Call Routing Media Resources Voice Mail Device Application User Management Bulk Administration Help

Directory Number Configuration Related Links: Configure Device (SEP000A416B8539) Go

Save Delete Reset Add New

Call Forward and Call Pickup Settings

	Voice Mail	Destination	Calling Search Space
Calling Search Space Activation Policy			Use System Default
Forward All	<input type="checkbox"/> or	<input type="text"/>	< None >
Secondary Calling Search Space for Forward All			< None >
Forward Busy Internal	<input type="checkbox"/> or	<input type="text"/>	< None >
Forward Busy External	<input type="checkbox"/> or	<input type="text"/>	< None >
Forward No Answer Internal	<input type="checkbox"/> or	<input type="text"/>	< None >
Forward No Answer External	<input type="checkbox"/> or	<input type="text"/>	< None >
Forward No Coverage Internal	<input type="checkbox"/> or	<input type="text"/>	< None >
Forward No Coverage External	<input type="checkbox"/> or	<input type="text"/>	< None >
Forward on CTI Failure	<input type="checkbox"/> or	<input type="text"/>	< None >
Forward Unregistered Internal	<input type="checkbox"/> or	<input type="text"/>	< None >
Forward Unregistered External	<input type="checkbox"/> or	<input type="text"/>	< None >
No Answer Ring Duration (seconds)	<input type="text"/>		
Call Pickup Group			< None >

MLPP Alternate Party Settings

Target (Destination)

MLPP Calling Search Space

MLPP No Answer Ring Duration (seconds)

Line Settings for All Devices

Hold Reversion Ring Duration (seconds) Setting the Hold Reversion Ring Duration to zero will disable the feature

Hold Reversion Notification Interval (seconds) Setting the Hold Reversion Notification Interval to zero will disable the feature

Line 1 on Device SEP000A416B8539

Display (Internal Caller ID) Display text for a line appearance is intended for displaying text such as a name instead of a directory number for internal calls. If you specify a number, the person receiving a call may not see the proper identity of the caller.

Done Local intranet



Directory Number Configuration - Microsoft Internet Explorer

File Edit View Favorites Tools Help

Address: https://172.20.110.254:8443/ccmadmin/directoryNumberEdit.do?key=2f71871e-ecb0-925d-1bd1-23c94081253e&mapkey=84314f31-503d-204f-19e2-0256504c17cd&devicekey=a0eae5b-6d54-439b-8063-73426cffe3c8inc

Cisco Unified CM Administration
For Cisco Unified Communications Solutions

Navigation: Cisco Unified CM Administration Go

CCMAdministrator | About | Logout

System Call Routing Media Resources Voice Mail Device Application User Management Bulk Administration Help

Directory Number Configuration Related Links: Configure Device (SEP000A416B8539) Go

Save Delete Reset Add New

ASCII Display (Internal Caller ID)

Line Text Label

ASCII Line Text Label

External Phone Number Mask

Visual Message Waiting Indicator Policy*

Ring Setting (Phone Idle)*

Ring Setting (Phone Active) Applies to this line when any line on the phone has a call in progress.

Call Pickup Group Audio Alert Setting(Phone Idle)

Call Pickup Group Audio Alert Setting(Phone Active)

Monitoring Calling Search Space

Multiple Call/Call Waiting Settings on Device SEP000A416B8539

Note: The range to select the Max Number of calls is: 1-200

Maximum Number of Calls*

Busy Trigger* (Less than or equal to Max. Calls)

Forwarded Call Information Display on Device SEP000A416B8539

Caller Name

Caller Number

Redirected Number

Dialed Number

Users Associated with Line

Save Delete Reset Add New

*- indicates required item.

Done Local intranet



CTI Route Points

Find and List CTI Route Points - Microsoft Internet Explorer

File Edit View Favorites Tools Help

Back Forward Stop Refresh Home Search Favorites Recycle Bin Mail Print

Address <https://172.20.110.254:8443/ccmadmin/ctiRoutePointFindList.do?<%=reqParams%>&recCnt=0&colCnt=3> Go Links

Cisco Unified CM Administration
For Cisco Unified Communications Solutions

Navigation Cisco Unified CM Administration Go

CCMAdministrator | About | Logout

System Call Routing Media Resources Voice Mail Device Application User Management Bulk Administration Help

Find and List CTI Route Points

+ Add New Select All Clear All Delete Selected Reset Selected

Status
2 records found

CTI Route Point (1 - 2 of 2) Rows per Page 50

Find CTI Route Point where Device Name begins with Find Clear Filter Select item or enter search text

<input type="checkbox"/>	Device Name ^	Description	Device Pool	Calling Search Space	Partition	Extension	Status	IP Address	Copy
<input type="checkbox"/>	RP911	RP911	Default	E911CSS	Phones	911	Registered with CM-BARZA	172.20.110.254	
<input type="checkbox"/>	RPELIN913	RPELIN913	Default	E911CSS	E911	913XXXXXXXXXX	Registered with CM-BARZA	172.20.110.254	

Add New Select All Clear All Delete Selected Reset Selected

Done Local Intranet



CTI Route Point 911

CTI Route Point Configuration - Microsoft Internet Explorer

File Edit View Favorites Tools Help

Back Forward Stop Refresh Home Search Favorites

Address <https://172.20.110.254:8443/ccmadmin/ctiRoutePointEdit.do?key=7c251286-8dd7-d6eb-3273-3b9866451bfe> Go Links

Cisco Unified CM Administration
For Cisco Unified Communications Solutions

Navigation Cisco Unified CM Administration Go

CCMAdministrator | About | Logout

System Call Routing Media Resources Voice Mail Device Application User Management Bulk Administration Help

CTI Route Point Configuration Related Links: Back To Find/List Go

Save Delete Copy Reset Add New

Status
Status: Ready

Device Information

Registration	Registered with Cisco Unified Communications Manager CM-BARZA
IP Address	172.20.110.254
Device Name*	RP911
Description	RP911
Device Pool*	Default View Details
Common Device Configuration	MigratedCommonDeviceConfig1 View Details
Calling Search Space	E911CSS
Location*	Hub_None
User Locale	< None >
Media Resource Group List	< None >
Network Hold MOH Audio Source	< None >
User Hold MOH Audio Source	< None >

Association Information

- Line [1] - 911 in Phones
- Line [2] - Add a new DN

Save Delete Copy Reset Add New

* - indicates required item.

Done Local Intranet



Directory Number Configuration - Microsoft Internet Explorer

File Edit View Favorites Tools Help

Address: https://172.20.110.254:8443/ccmadmin/directoryNumberEdit.do?key=1c21adc8-4a7f-c542-1edc-48dae579453a&mapkey=079adbfb-093d-f2c8-582e-48360dc5096c&devicekey=7c251286-8dd7-d6eb-3273-3b9866451bfe&in

Cisco Unified CM Administration
For Cisco Unified Communications Solutions

Navigation: Cisco Unified CM Administration Go

CCMAdministrator | About | Logout

System Call Routing Media Resources Voice Mail Device Application User Management Bulk Administration Help

Directory Number Configuration Related Links: Configure Device (RP911) Go

Save Delete Reset Add New

Status
Status: Ready

Directory Number Information

Directory Number*: 911
Route Partition: Phones
Description:
Alerting Name:
ASCII Alerting Name:
Associated Devices: RP911
Dissociate Devices:

Edit Device
Edit Line Appearance

Directory Number Settings

Voice Mail Profile: < None > (Choose <None> to use system default)
Calling Search Space: E911CSS
Presence Group*: Standard Presence group
User Hold MOH Audio Source: < None >
Network Hold MOH Audio Source: < None >

AAR Settings

	Voice Mail	AAR Destination Mask	AAR Group
AAR	<input type="checkbox"/>		< None >

Retain this destination in the call forwarding history

Call Forward and Call Pickup Settings

	Voice Mail	Destination	Calling Search Space
Calling Search Space Activation Policy			Use System Default

Done Local intranet



Directory Number Configuration - Microsoft Internet Explorer

File Edit View Favorites Tools Help

Address: https://172.20.110.254:8443/ccmadmin/directoryNumberEdit.do?key=1c21adc8-4a7f-c542-1edc-48dae579453a&mapkey=079adbfb-093d-f2c8-582e-48360dc5096c&devicekey=7c251286-8dd7-d6eb-3273-3b9866451bfe&in

Cisco Unified CM Administration
For Cisco Unified Communications Solutions

Navigation: Cisco Unified CM Administration Go

CCMAdministrator | About | Logout

System Call Routing Media Resources Voice Mail Device Application User Management Bulk Administration Help

Directory Number Configuration Related Links: Configure Device (RP911) Go

Save Delete Reset Add New

	Voice Mail	Destination	Calling Search Space
Calling Search Space Activation Policy			Use System Default
Forward All	<input type="checkbox"/> or		< None >
Secondary Calling Search Space for Forward All			< None >
Forward Busy Internal	<input type="checkbox"/> or	912	E911CSS
Forward Busy External	<input type="checkbox"/> or	912	E911CSS
Forward No Answer Internal	<input type="checkbox"/> or	912	E911CSS
Forward No Answer External	<input type="checkbox"/> or	912	E911CSS
Forward No Coverage Internal	<input type="checkbox"/> or		< None >
Forward No Coverage External	<input type="checkbox"/> or		< None >
Forward on CTI Failure	<input type="checkbox"/> or	912	E911CSS
Forward Unregistered Internal	<input type="checkbox"/> or	912	E911CSS
Forward Unregistered External	<input type="checkbox"/> or	912	E911CSS
No Answer Ring Duration (seconds)			
Call Pickup Group			< None >

MLPP Alternate Party Settings

Target (Destination)

MLPP Calling Search Space < None >

MLPP No Answer Ring Duration (seconds)

Line Settings for All Devices

Hold Reversion Ring Duration (seconds) Setting the Hold Reversion Ring Duration to zero will disable the feature

Hold Reversion Notification Interval (seconds) Setting the Hold Reversion Notification Interval to zero will disable the feature

Line 1 on Device RP911

Display (Internal Caller ID) Display text for a line appearance is intended for displaying text such as a name instead of a directory number for internal calls. If you specify a number, the person receiving a call may not see the proper identity of the caller.

ASCII Display (Internal Caller ID)

Done Local intranet



External Phone Number Mask

Multiple Call/Call Waiting Settings on Device RP911

Note: The range to select the Max Number of calls is: 1-10000

Maximum Number of Calls*

Busy Trigger* (Less than or equal to Max. Calls)

Forwarded Call Information Display on Device RP911

- Caller Name
- Caller Number
- Redirected Number
- Dialed Number

Users Associated with Line

* - indicates required item.

** - Changes to Line or Directory Number settings require restart.

Done

Local intranet



CTI Route Point 913

CTI Route Point Configuration - Microsoft Internet Explorer

File Edit View Favorites Tools Help

Back Forward Stop Refresh Home Search Favorites

Address <https://172.20.110.254:8443/ccmadmin/ctiRoutePointEdit.do?key=1b95290e-3877-49e0-2105-fee98e3579dc> Go Links

Cisco Unified CM Administration
For Cisco Unified Communications Solutions

Navigation Cisco Unified CM Administration Go

CCMAdministrator | About | Logout

System Call Routing Media Resources Voice Mail Device Application User Management Bulk Administration Help

CTI Route Point Configuration Related Links: Back To Find/List Go

Save Delete Copy Reset Add New

Status
Status: Ready

Device Information

Registration	Registered with Cisco Unified Communications Manager CM-BARZA
IP Address	172.20.110.254
Device Name*	<input type="text" value="RPELIN913"/>
Description	<input type="text" value="RPELIN913"/>
Device Pool*	Default View Details
Common Device Configuration	MigratedCommonDeviceConfig1 View Details
Calling Search Space	E911CSS
Location*	Hub_None
User Locale	< None >
Media Resource Group List	< None >
Network Hold MOH Audio Source	< None >
User Hold MOH Audio Source	< None >

Association Information

- Line [1] - 913XXXXXXXXX in E911
- Line [2] - Add a new DN

Save Delete Copy Reset Add New

* - indicates required item.

Done Local Intranet



Directory Number Configuration - Microsoft Internet Explorer

File Edit View Favorites Tools Help

Back Forward Stop Home Search Favorites Refresh Print Mail

Address: https://172.20.110.254:8443/ccmadmin/directoryNumberEdit.do?key=637289df-f3bc-5656-2c62-a2d2dfb4e0d8&mapkey=d2aa8772-1860-ea8b-9c50-4a07b3bb3081&devicekey=1b95290e-3877-49e0-2105-fee98e3579dc&ar Go Links

Cisco Unified CM Administration
For Cisco Unified Communications Solutions

Navigation: Cisco Unified CM Administration Go

CCMAdministrator | About | Logout

System Call Routing Media Resources Voice Mail Device Application User Management Bulk Administration Help

Directory Number Configuration Related Links: Configure Device (RPELIN913) Go

Save Delete Reset Add New

Status
Status: Ready

Directory Number Information

Directory Number* 913XXXXXXXXXX

Route Partition E911

Description

Alerting Name

ASCII Alerting Name

Associated Devices: RPELIN913

Edit Device Edit Line Appearance

Dissociate Devices

Directory Number Settings

Voice Mail Profile < None > (Choose <None> to use system default)

Calling Search Space E911CSS

Presence Group* Standard Presence group

User Hold MOH Audio Source < None >

Network Hold MOH Audio Source < None >

AAR Settings

	Voice Mail	AAR Destination Mask	AAR Group
AAR	<input type="checkbox"/> or		< None >

Retain this destination in the call forwarding history

Call Forward and Call Pickup Settings

	Voice Mail	Destination	Calling Search Space
Calling Search Space Activation Policy			Use System Default

Done Local intranet



Directory Number Configuration - Microsoft Internet Explorer

File Edit View Favorites Tools Help

Back Forward Stop Home Search Favorites Refresh Mail Print

Address <https://172.20.110.254:8443/ccmadmin/directoryNumberEdit.do?key=637289df-f3bc-5656-2c62-a2d2dfb4e0d8&mapkey=d2aa8772-1860-ea8b-9c50-4a07b3bb3081&devicekey=1b95290e-3877-49e0-2105-fee98e3579dc&sr> Go Links

Cisco Unified CM Administration
For Cisco Unified Communications Solutions

Navigation Cisco Unified CM Administration Go

CCMAdministrator | About | Logout

System Call Routing Media Resources Voice Mail Device Application User Management Bulk Administration Help

Directory Number Configuration Related Links: Configure Device (RPELIN913) Go

Save Delete Reset Add New

Calling Search Space Activation Policy

Forward All	<input type="checkbox"/> or	<input type="text"/>	Use System Default
Secondary Calling Search Space for Forward All			< None >
Forward Busy Internal	<input type="checkbox"/> or	<input type="text"/>	< None >
Forward Busy External	<input type="checkbox"/> or	<input type="text"/>	< None >
Forward No Answer Internal	<input type="checkbox"/> or	<input type="text"/>	< None >
Forward No Answer External	<input type="checkbox"/> or	<input type="text"/>	< None >
Forward No Coverage Internal	<input type="checkbox"/> or	<input type="text"/>	< None >
Forward No Coverage External	<input type="checkbox"/> or	<input type="text"/>	< None >
Forward on CTI Failure	<input type="checkbox"/> or	<input type="text"/>	< None >
Forward Unregistered Internal	<input type="checkbox"/> or	<input type="text"/>	< None >
Forward Unregistered External	<input type="checkbox"/> or	<input type="text"/>	< None >

No Answer Ring Duration (seconds)

Call Pickup Group

MLPP Alternate Party Settings

Target (Destination)

MLPP Calling Search Space

MLPP No Answer Ring Duration (seconds)

Line Settings for All Devices

Hold Reversion Ring Duration (seconds) Setting the Hold Reversion Ring Duration to zero will disable the feature

Hold Reversion Notification Interval (seconds) Setting the Hold Reversion Notification Interval to zero will disable the feature

Line 1 on Device RPELIN913

Display (Internal Caller ID) Display text for a line appearance is intended for displaying text such as a name instead of a directory number for internal calls. If you specify a number, the person receiving a call may not see the proper identity of the caller.

ASCII Display (Internal Caller ID)

External Phone

Done Local intranet



External Phone Number Mask

Multiple Call/Call Waiting Settings on Device RPELIN913

Note: The range to select the Max Number of calls is: 1-10000

Maximum Number of Calls*

Busy Trigger* (Less than or equal to Max. Calls)

Forwarded Call Information Display on Device RPELIN913

Caller Name
 Caller Number
 Redirected Number
 Dialed Number

Users Associated with Line

*- indicates required item.
 **- Changes to Line or Directory Number settings require restart.

Done Local intranet

Note: A Backup CER server was not used during testing therefore CTI route point for 912 was not created.



CTI Port

Phone Configuration - Microsoft Internet Explorer

Address: https://172.20.110.254:8443/ccmadmin/deviceEdit.do?key=a9bc72f0-90ea-7ed2-cd27-745866143128

Cisco Unified CM Administration
For Cisco Unified Communications Solutions

Navigation: Cisco Unified CM Administration | Go

CCMAdministrator | About | Logout

System | Call Routing | Media Resources | Voice Mail | Device | Application | User Management | Bulk Administration | Help

Phone Configuration | Related Links: Back To Find/List | Go

Save | Delete | Copy | Reset | Add New

Status
Status: Ready

Association Information

- Line [1] - 4250 in Phones
- Line [2] - Add a new DN
- Intercom [1] - Add a new Intercom

Phone Type
Product Type: CTI Port
Device Protocol: SCCP

Device Information

Registration: Registered with Cisco Unified Communications Manager CM-BARZA
IP Address: 172.20.8.50
Device Name*: CERSec1
Description:
Device Pool*: Default [View Details](#)
Common Device Configuration: MigratedCommonDeviceConfig1 [View Details](#)
Common Phone Profile*: Standard Common Phone Profile
Calling Search Space: PhonesCSS
AAR Calling Search Space: < None >
Media Resource Group List: < None >
User Hold MOH Audio Source: < None >
Network Hold MOH Audio Source: < None >
Location*: Hub_None
AAR Group: < None >
User Locale: < None >
Network Locale: < None >
Privacy*: Default
Device Mobility Mode*: Default [View Current Device Mobility Settings](#)
Owner User ID: < None >

Ignore Presentation Indicators (internal calls only)
 Logged Into Hunt Group
 Remote Device

Protocol Specific Information

Presence Group*: Standard Presence group
Device Security Profile*: Cisco CTI Port - Standard SCCP Non-Secure Profil
SUBSCRIBE Calling Search Space: < None >
 Unattended Port

MLPP Information
MLPP Domain: < None >

Save | Delete | Copy | Reset | Add New

Legend:
* - indicates required item.
**- Device reset is not required for changes to Packet Capture Mode and Packet Capture Duration.
***Note: Security Profile Contains Addition CAPF Settings.



Directory Number Configuration - Microsoft Internet Explorer

File Edit View Favorites Tools Help

Address: https://172.20.110.254:8443/ccmadmin/directoryNumberEdit.do?key=c779c4ae-5c60-faad-0f80-024fd981d9c8mapkey=a8098e38-7fd2-da50-a860-92f9a2d6b4a4&devicekey=a9bc72f0-90ea-7ed2-cd27-745866143128&inc

Cisco Unified CM Administration
For Cisco Unified Communications Solutions

Navigation: Cisco Unified CM Administration Go

CCMAdministrator | About | Logout

System Call Routing Media Resources Voice Mail Device Application User Management Bulk Administration Help

Directory Number Configuration Related Links: Configure Device (CERSec1) Go

Save Delete Reset Add New

Status
Status: Ready

Directory Number Information

Directory Number* 4250

Route Partition Phones

Description

Alerting Name

ASCII Alerting Name

Associated Devices: CERSec1

▼▲

Dissociate Devices

Directory Number Settings

Voice Mail Profile < None > (Choose <None> to use system default)

Calling Search Space PhonesCSS

Presence Group* Standard Presence group

User Hold MOH Audio Source < None >

Network Hold MOH Audio Source < None >

AAR Settings

	Voice Mail	AAR Destination Mask	AAR Group
AAR	<input type="checkbox"/> or		< None >

Retain this destination in the call forwarding history

Call Forward and Call Pickup Settings

	Voice Mail	Destination	Calling Search Space
Calling Search Space Activation Policy			Use System Default

Done Local intranet



Directory Number Configuration - Microsoft Internet Explorer

File Edit View Favorites Tools Help

Back Forward Stop Home Search Favorites Refresh Mail Print

Address: https://172.20.110.254:8443/ccmadmin/directoryNumberEdit.do?key=c779c4ae-5c60-faad-0f80-024fd981d9c8mapkey=a8098e38-7fd2-da50-a860-92f9a2d6b4a4&devicekey=a9bc72f0-90ea-7ed2-cd27-745866143128&inc

Cisco Unified CM Administration
For Cisco Unified Communications Solutions

Navigation: Cisco Unified CM Administration Go

CCMAdministrator | About | Logout

System Call Routing Media Resources Voice Mail Device Application User Management Bulk Administration Help

Directory Number Configuration Related Links: Configure Device (CERSec1) Go

Save Delete Reset Add New

Calling Search Space Activation Policy

Forward All	<input type="checkbox"/> or	<input type="text"/>	Use System Default
Secondary Calling Search Space for Forward All			< None >
Forward Busy Internal	<input type="checkbox"/> or	<input type="text"/>	< None >
Forward Busy External	<input type="checkbox"/> or	<input type="text"/>	< None >
Forward No Answer Internal	<input type="checkbox"/> or	<input type="text"/>	< None >
Forward No Answer External	<input type="checkbox"/> or	<input type="text"/>	< None >
Forward No Coverage Internal	<input type="checkbox"/> or	<input type="text"/>	< None >
Forward No Coverage External	<input type="checkbox"/> or	<input type="text"/>	< None >
Forward on CTI Failure	<input type="checkbox"/> or	<input type="text"/>	< None >
Forward Unregistered Internal	<input type="checkbox"/> or	<input type="text"/>	< None >
Forward Unregistered External	<input type="checkbox"/> or	<input type="text"/>	< None >

No Answer Ring Duration (seconds)

Call Pickup Group

MLPP Alternate Party Settings

Target (Destination)

MLPP Calling Search Space

MLPP No Answer Ring Duration (seconds)

Line Settings for All Devices

Hold Reversion Ring Duration (seconds) Setting the Hold Reversion Ring Duration to zero will disable the feature

Hold Reversion Notification Interval (seconds) Setting the Hold Reversion Notification Interval to zero will disable the feature

Line 1 on Device CERSec1

Display (Internal Caller ID) Display text for a line appearance is intended for displaying text such as a name instead of a directory number for internal calls. If you specify a number, the person receiving a call may not see the proper identity of the caller.

ASCII Display (Internal Caller ID)

Line Text Label

Done Local intranet



Line Text Label	<input type="text"/>
ASCII Line Text Label	<input type="text"/>
External Phone Number Mask	<input type="text"/>
Visual Message Waiting Indicator Policy*	<input type="text" value="Use System Policy"/>
Monitoring Calling Search Space	<input type="text" value="< None >"/>

Multiple Call/Call Waiting Settings on Device CERSec1

Note: The range to select the Max Number of calls is: 1-200

Maximum Number of Calls*	<input type="text" value="4"/>
Busy Trigger*	<input type="text" value="2"/> (Less than or equal to Max. Calls)

Forwarded Call Information Display on Device CERSec1

- Caller Name
- Caller Number
- Redirected Number
- Dialed Number

Users Associated with Line

- *- indicates required item.
- **- Changes to Line or Directory Number settings require restart.



Route Patterns for ELINs

Find and List Route Patterns - Microsoft Internet Explorer

Address: <https://172.20.110.254:8443/ccmadmin/routePattern2FindList.do>

Cisco Unified CM Administration
For Cisco Unified Communications Solutions

Navigation: Cisco Unified CM Administration | Go

CCMAdministrator | About | Logout

System | Call Routing | Media Resources | Voice Mail | Device | Application | User Management | Bulk Administration | Help

Find and List Route Patterns

+ Add New | Select All | Clear All | Delete Selected

Status
9 records found

Route Patterns (1 - 9 of 9)

Rows per Page: 50

Find Route Patterns where: Pattern begins with Find Clear Filter

<input type="checkbox"/>	Pattern	Description	Partition	Route Filter	Associated Device	Copy
<input type="checkbox"/>	10.911		E911		172.20.8.26	
<input type="checkbox"/>	11.911		E911		172.20.8.26	
<input type="checkbox"/>	13.911		E911		172.20.8.26	
<input type="checkbox"/>	2XXX		Phones			
<input type="checkbox"/>	40XX				S1/DS1-0@tonycmm	
<input type="checkbox"/>	41XXX					
<input type="checkbox"/>	42XX				172.20.3.225	
<input type="checkbox"/>	7XXX					
<input type="checkbox"/>	9.2		Phones		S0/DS1-0@SDA00027E399AFA	

Add New | Select All | Clear All | Delete Selected

Done | Local Intranet



Route Pattern 10911

Route Pattern Configuration - Microsoft Internet Explorer

Address: https://172.20.110.254:8443/ccmadmin/routePattern2Save.do

Cisco Unified CM Administration
For Cisco Unified Communications Solutions

Navigation: Cisco Unified CM Administration Go

CCMAdministrator | About | Logout

System Call Routing Media Resources Voice Mail Device Application User Management Bulk Administration Help

Route Pattern Configuration Related Links: Back To Find/List Go

Save Delete Copy Add New

Status
Update successful

Pattern Definition

Route Pattern* 10.911
Route Partition E911
Description
Numbering Plan -- Not Selected --
Route Filter < None >
MLPP Precedence* Default
Gateway/Route List* 172.20.8.26 (Edit)
Route Option
 Route this pattern
 Block this pattern No Error
Call Classification* OffNet
 Allow Device Override Provide Outside Dial Tone Allow Overlap Sending Urgent Priority
 Require Forced Authorization Code
Authorization Level* 0
 Require Client Matter Code

Calling Party Transformations

Use Calling Party's External Phone Number Mask
Calling Party Transform Mask
Prefix Digits (Outgoing Calls)
Calling Line ID Presentation* Allowed
Calling Name Presentation* Default

Connected Party Transformations

Connected Line ID Presentation* Default
Connected Name Presentation* Default

Called Party Transformations

Discard Digits PreDot
Called Party Transform Mask
Prefix Digits (Outgoing Calls)

ISDN Network-Specific Facilities Information Element

Network Service Protocol PRI NI2
Carrier Identification Code < Not Configurable >
Network Service Service Parameter Name Service Parameter Value
Foreign Exchange Selection Foreign Exchange

Save Delete Copy Add New

* - indicates required item.



Route Pattern 11911

Route Pattern Configuration - Microsoft Internet Explorer

Address: https://172.20.110.254:8443/ccmadmin/routePattern2Save.do

Cisco Unified CM Administration
For Cisco Unified Communications Solutions

Navigation: Cisco Unified CM Administration Go

CCMAdministrator | About | Logout

System | Call Routing | Media Resources | Voice Mail | Device | Application | User Management | Bulk Administration | Help

Route Pattern Configuration Related Links: Back To Find/List Go

Save Delete Copy Add New

Status
Update successful

Pattern Definition

Route Pattern* 11.911
Route Partition E911
Description
Numbering Plan -- Not Selected --
Route Filter < None >
MLPP Precedence* Default
Gateway/Route List* 172.20.8.26 (Edit)
Route Option
 Route this pattern
 Block this pattern No Error
Call Classification* OffNet
 Allow Device Override Provide Outside Dial Tone Allow Overlap Sending Urgent Priority
 Require Forced Authorization Code
Authorization Level* 0
 Require Client Matter Code

Calling Party Transformations

Use Calling Party's External Phone Number Mask
Calling Party Transform Mask
Prefix Digits (Outgoing Calls)
Calling Line ID Presentation* Default
Calling Name Presentation* Default

Connected Party Transformations

Connected Line ID Presentation* Default
Connected Name Presentation* Default

Called Party Transformations

Discard Digits PreDot
Called Party Transform Mask
Prefix Digits (Outgoing Calls)

ISDN Network-Specific Facilities Information Element

Network Service Protocol PRI NI2
Carrier Identification Code < Not Configurable >
Network Service Service Parameter Name Service Parameter Value
Foreign Exchange Selection Foreign Exchange

Save Delete Copy Add New

* - indicates required item.



Route Pattern 13911

Route Pattern Configuration - Microsoft Internet Explorer

Address: https://172.20.110.254:8443/ccmadmin/routePattern2Save.do

Cisco Unified CM Administration
For Cisco Unified Communications Solutions

Navigation: Cisco Unified CM Administration Go

CCMAdministrator | About | Logout

System | Call Routing | Media Resources | Voice Mail | Device | Application | User Management | Bulk Administration | Help

Route Pattern Configuration Related Links: Back To Find/List Go

Save Delete Copy Add New

Status
Update successful

Pattern Definition

Route Pattern* 13.911
Route Partition E911
Description
Numbering Plan -- Not Selected --
Route Filter < None >
MLPP Precedence* Default
Gateway/Route List* 172.20.8.26 (Edit)
Route Option
 Route this pattern
 Block this pattern No Error
Call Classification* OffNet
 Allow Device Override Provide Outside Dial Tone Allow Overlap Sending Urgent Priority
 Require Forced Authorization Code
Authorization Level* 0
 Require Client Matter Code

Calling Party Transformations

Use Calling Party's External Phone Number Mask
Calling Party Transform Mask
Prefix Digits (Outgoing Calls)
Calling Line ID Presentation* Allowed
Calling Name Presentation* Default

Connected Party Transformations

Connected Line ID Presentation* Default
Connected Name Presentation* Default

Called Party Transformations

Discard Digits PreDot
Called Party Transform Mask
Prefix Digits (Outgoing Calls)

ISDN Network-Specific Facilities Information Element

Network Service Protocol PRI NI2
Carrier Identification Code < Not Configurable >
Network Service Service Parameter Name Service Parameter Value
Foreign Exchange Selection Foreign Exchange

Save Delete Copy Add New

* - indicates required item.



Translation Pattern for ELINs

Translation Pattern Configuration - Microsoft Internet Explorer

Address: https://172.20.110.254:8443/ccmadmin/translationEdit.do?key=b26f7d56-8ca5-a20d-5ba3-bf5c8974e01a

Cisco Unified CM Administration
For Cisco Unified Communications Solutions

Navigation: Cisco Unified CM Administration | Go

CCMAdministrator | About | Logout

System | Call Routing | Media Resources | Voice Mail | Device | Application | User Management | Bulk Administration | Help

Translation Pattern Configuration

Related Links: Back To Find/List | Go

Save | Delete | Copy | Add New

Status
Status: Ready

Pattern Definition

Translation Pattern: 408527XXXX

Partition: E911

Description:

Numbering Plan: < None >

Route Filter: < None >

MLPP Precedence*: Default

Calling Search Space: E911CSS

Route Option:
 Route this pattern
 Block this pattern: No Error

Provide Outside Dial Tone
 Urgent Priority

Calling Party Transformations

Use Calling Party's External Phone Number Mask

Calling Party Transform Mask:

Prefix Digits (Outgoing Calls):

Calling Line ID Presentation*: Default

Calling Name Presentation*: Default

Connected Party Transformations

Connected Line ID Presentation*: Default

Connected Name Presentation*: Default

Called Party Transformations

Discard Digits: < None >

Called Party Transform Mask:

Prefix Digits (Outgoing Calls): 913

Done

Done

Save | Delete | Copy | Add New

* - indicates required item.

Done



PSAP Gateway configuration (CAMA TRUNK)

Gateway Configuration - Microsoft Internet Explorer

File Edit View Favorites Tools Help

Address <https://172.20.110.254:8443/ccmadmin/gatewayEdit.do?key=f35658cd-ed4f-1059-5a93-4d638375eca1>

Cisco Unified CM Administration
For Cisco Unified Communications Solutions

Navigation Cisco Unified CM Administration Go

CCMAdministrator | About | Logout

System Call Routing Media Resources Voice Mail Device Application User Management Bulk Administration Help

Gateway Configuration Related Links: Back To Find/List Go

Save Delete Copy Reset Add New

Status
Status: Ready

Device Information

Product	H.323 Gateway
Device Protocol	H.225
Registration	Unknown
IP Address	172.20.8.26
Device Name*	172.20.8.26
Description	172.20.8.26
Device Pool*	Default
Common Device Configuration	< None >
Call Classification*	Use System Default
Media Resource Group List	< None >
Packet Capture Mode*	None
Packet Capture Duration	0
Location*	Hub_None
AAR Group	< None >
Tunneled Protocol*	None
Signaling Port*	1720

Media Termination Point Required
 Retry Video Call As Audio
 Wait for Far End H.245 Terminal Capability Set
 Path Replacement Support
 Transmit UTF-8 for Calling Party Name
 SRTP Allowed - When this flag is checked, IPSec needs to be configured in the network to provide end to end security. Failure to do so will expose keys and other information.

Multilevel Precedence and Preemption (MLPP) Information

MLPP Domain	< None >
MLPP Indication	Not available on this device
MLPP Preemption	Not available on this device

Done Local Intranet



Call Routing Information - Inbound Calls

Significant Digits*

Calling Search Space

AAR Calling Search Space

Prefix DN

Redirecting Number IE Delivery - Inbound

Enable Inbound FastStart

Call Routing Information - Outbound Calls

Calling Party Selection*

Calling Party Presentation*

Called party IE number type unknown*

Calling party IE number type unknown*

Called Numbering Plan*

Calling Numbering Plan*

Caller ID DN

Display IE Delivery

Redirecting Number IE Delivery - Outbound

Enable Outbound FastStart

Codec For Outbound FastStart

* - indicates required item.

** - Device reset is not required for changes to Packet Capture Mode and Packet Capture Duration.



Cisco Unified Communications Manager User

End User Configuration - Microsoft Internet Explorer

File Edit View Favorites Tools Help

Back Forward Stop Refresh Home Search Favorites

Address <https://172.20.110.254:8443/ccmadmin/userEdit.do?key=f6956e8e-2b2b-11f5-ca9c-d43e77ee2718> Go Links

Cisco Unified CM Administration
For Cisco Unified Communications Solutions

Navigation Cisco Unified CM Administration Go

CCMAdministrator | About | Logout

System Call Routing Media Resources Voice Mail Device Application User Management Bulk Administration Help

End User Configuration Related Links: [Back to Find List Users](#) Go

Save Delete Add New

Status
Status: Ready

User Information

User ID *	<input type="text" value="certest"/>	
Password	<input type="password" value="....."/>	<input type="button" value="Edit Credential"/>
Confirm Password	<input type="password" value="....."/>	
PIN	<input type="password" value="....."/>	<input type="button" value="Edit Credential"/>
Confirm PIN	<input type="password" value="....."/>	
Last name *	<input type="text" value="CER"/>	
Middle name	<input type="text"/>	
First name	<input type="text"/>	
Telephone Number	<input type="text"/>	
Mail ID	<input type="text"/>	
Manager User ID	<input type="text"/>	
Department	<input type="text"/>	
User Locale	< None >	
Associated PC	<input type="text"/>	
Digest Credentials	<input type="text"/>	
Confirm Digest Credentials	<input type="text"/>	

Device Associations

Controlled Devices	<input type="text" value="CERSec1
RP911
RPELIN913"/>	<input type="button" value="Device Association"/>
--------------------	--	---

Extension Mobility

Available Profiles

<input type="text"/>

Done Local Intranet



End User Configuration - Microsoft Internet Explorer

Address: https://172.20.110.254:8443/ccadmin/userEdit.do?key=f6956e8e-2b2b-11f5-ca9c-d43e77ee2718

Cisco Unified CM Administration

For Cisco Unified Communications Solutions

Navigation: Cisco Unified CM Administration

CCMAdministrator | About | Logout

System | Call Routing | Media Resources | Voice Mail | Device | Application | User Management | Bulk Administration | Help

End User Configuration

Related Links: Back to Find List Users

Save | Delete | Add New

Extension Mobility

Available Profiles

Controlled Profiles

Default Profile: -- Not Selected --

Presence Group*: Standard Presence group

SUBSCRIBE Calling Search Space: < None >

Allow Control of Device from CTI

Directory Number Associations

Primary Extension: < None >

Mobility Information

Enable Mobility

Enable Mobile Voice Access

Maximum Wait Time for Desk Pickup*: 10000

Remote Destination Limit*: 4

Remote Destination Profiles

Access Lists

[View Details](#)

[View Details](#)

CAPF Information

Associated CAPF Profiles

CAPF Information

Associated CAPF Profiles

[View Details](#)

Permissions Information

Groups	Standard CTI Allow Calling Number Modification Standard CTI Enabled	View Details
Roles	Standard CTI Allow Calling Number Modification Standard CTI Enabled	View Details

Save | Delete | Add New

i *- indicates required item.



T1-QSIG Gateway

Gateway Configuration - Microsoft Internet Explorer

File Edit View Favorites Tools Help

Back Forward Stop Home Search Favorites Refresh Print Mail

Address <https://172.20.110.254:8443/ccadmin/gatewayEdit.do?key=8c8d2ef3-34f2-ad6a-956e-de05a3c92784> Go Links

Cisco Unified CM Administration
For Cisco Unified Communications Solutions

Navigation Cisco Unified CM Administration Go

CCMAdministrator About Logout

System Call Routing Media Resources Voice Mail Device Application User Management Bulk Administration Help

Gateway Configuration Related Links: Back to MGCP Configuration Go

Save Delete Reset

Status
Status: Ready

Device Information

Product	Cisco MGCP T1 Port
Gateway	tonycmm
Device Protocol	Digital Access PRI
Registration	Registered with Cisco Unified Communications Manager CM-BARZA
IP Address	172.20.8.253
End-Point Name *	S1/DS1-0@tonycmm
Description	<input type="text" value="S1/DS1-0@tonycmm"/>
Device Pool*	<input type="text" value="Default"/>
Common Device Configuration	<input type="text" value="MigratedCommonDeviceConfig1"/>
Call Classification*	<input type="text" value="Use System Default"/>
NetworkLocale	<input type="text" value="< None >"/>
Media Resource Group List	<input type="text" value="< None >"/>
Location*	<input type="text" value="Hub_None"/>
AAR Group	<input type="text" value="< None >"/>
Load Information	<input type="text" value=""/>

Transmit UTF-8 for Calling Party Name

Multilevel Precedence and Preemption (MLPP) Information

MLPP Domain	<input type="text" value="< None >"/>
MLPP Indication	Not available on this device
MLPP Preemption	Not available on this device

Interface Information

PRI Protocol Type*	<input type="text" value="PRI ISO QSIG T1"/>
Protocol Side*	<input type="text" value="Network"/>
Channel Selection Order*	<input type="text" value="Bottom Up"/>
Channel IE Type*	<input type="text" value="Timeslot Number"/>
PCM Type*	<input type="text" value="μ-law"/>
Delay for first restart (1/8 sec ticks)*	<input type="text" value="32"/>

Done Local intranet



Gateway Configuration - Microsoft Internet Explorer

Address: https://172.20.110.254:8443/ccmadmin/gatewayT1E1PriSave.do?product=52&slot=1&subunit=0&port=0&endpoint=51/D51-08mgcpid=93d44834-ab29-4c9f-56ba-379879e108c0

Cisco Unified CM Administration
For Cisco Unified Communications Solutions

Navigation: Cisco Unified CM Administration Go

CCMAdministrator | About | Logout

System | Call Routing | Media Resources | Voice Mail | Device | Application | User Management | Bulk Administration | Help

Gateway Configuration Related Links: Back to MGCP Configuration Go

Save Delete Reset

Delay between restarts (1/8 sec ticks)* 4

Inhibit restarts at PRI initialization

Enable status poll

Unattended Port

Call Routing Information - Inbound Calls

Significant Digits* All

Calling Search Space PhonesCSS

AAR Calling Search Space < None >

Prefix DN

Call Routing Information - Outbound Calls

Calling Party Presentation* Default

Calling Party Selection* Originator

Called party IE number type unknown* Cisco CallManager

Calling party IE number type unknown* Cisco CallManager

Called Numbering Plan* Cisco CallManager

Calling Numbering Plan* Cisco CallManager

Number of digits to strip* 0

Caller ID DN

SMDI Base Port* 0

PRI Protocol Type Specific Information

Display IE Delivery

Redirecting Number IE Delivery - Outbound

Redirecting Number IE Delivery - Inbound

Send Extra Leading Character in Display IE****

Setup non-ISDN Progress Indicator IE Enable*****

MCDN Channel Number Extension Bit Set to Zero**

Send Calling Name In Facility IE

Interface Identifier Present**

Done Local intranet



Gateway Configuration - Microsoft Internet Explorer

Address: https://172.20.110.254:8443/ccmadmin/gatewayT1E1PriSave.do?product=52&slot=1&subunit=0&port=0&endpoint=51/D51-08mgcpid=93d44834-ab29-4c9f-56ba-379879e108c0

Cisco Unified CM Administration
For Cisco Unified Communications Solutions

Navigation: Cisco Unified CM Administration Go

CCMAdministrator | About | Logout

System | Call Routing | Media Resources | Voice Mail | Device | Application | User Management | Bulk Administration | Help

Gateway Configuration Related Links: Back to MGCP Configuration Go

Save Delete Reset

Send Extra Leading Character in Display IE***
 Setup non-ISDN Progress Indicator IE Enable****
 MCDN Channel Number Extension Bit Set to Zero**
 Send Calling Name In Facility IE
 Interface Identifier Present**
Interface Identifier Value**
Connected Line ID Presentation (QSIG Inbound Call)* Default

UUIE Configuration

Passing Precedence Level Through UUIE
Security Access Level*

Product Specific Configuration Layout

Line Coding* B8ZS
Framing* ESF
Clock* External
Input Gain (-6..14 db)*
Output Attenuation (-6..14 db)*
Echo Cancellation Enable* Enable
Echo Cancel Coverage (ms)* 64

Save Delete Reset

Legend:

- * - indicates required item.
- ** - applies to DMS-100 protocol only.
- *** - applies to DMS-100 protocol and DMS-250 protocol only.
- **** - may be required to force ringback from some PBXs.
- ***** - Device reset is not required for changes to Packet Capture Mode and Packet Capture Duration.

Done Local intranet



Route Pattern to QSIG Trunk

The screenshot shows the Cisco Unified CM Administration web interface in Microsoft Internet Explorer. The browser title is "Route Pattern Configuration - Microsoft Internet Explorer". The address bar shows the URL: <https://172.20.110.254:8443/ccmadmin/routePattern2Edit.do?key=482e7089-863a-e4ee-c97a-48274ff7ac34>. The page title is "Route Pattern Configuration". The navigation menu includes: System, Call Routing, Media Resources, Voice Mail, Device, Application, User Management, Bulk Administration, and Help. The user is logged in as "CCMAdministrator".

Route Pattern Configuration

Save Delete Copy Add New

Related Links: Back To Find/List Go

Status
Status: Ready

Pattern Definition

Route Pattern* 40XX
Route Partition < None >
Description
Numbering Plan -- Not Selected --
Route Filter < None >
MLPP Precedence* Default
Gateway/Route List* S1/DS1-0@tonycmm (Edit)
Route Option
 Route this pattern
 Block this pattern No Error
Call Classification* OffNet
 Allow Device Override Provide Outside Dial Tone Allow Overlap Sending Urgent Priority
 Require Forced Authorization Code
Authorization Level* 0
 Require Client Matter Code

Calling Party Transformations

Use Calling Party's External Phone Number Mask
Calling Party Transform Mask
Prefix Digits (Outgoing Calls)
Calling Line ID Presentation* Default
Calling Name Presentation* Default

Connected Party Transformations

Connected Line ID Presentation* Default
Connected Name Presentation* Default

Note: For detailed information regarding QSIG interoperability between CCM and NEC PBX go to:
http://www.cisco.com/warp/public/779/largeent/avid/inter_operability/flash/portal.html

SNMP service must be active

Performance and Monitoring Services		
	Service Name	Activation Status
<input checked="" type="checkbox"/>	Cisco Serviceability Reporter	Activated
<input checked="" type="checkbox"/>	Cisco CallManager SNMP Service	Activated



Configuring Cisco Emergency Responder

Cisco Unified Communications Manager Details

Cisco Emergency Responder Administration - Microsoft Internet Explorer

Address: https://172.20.8.50:8443/ceradmin/servlet/CERAdminServlet

Cisco Emergency Responder Administration
For Cisco Unified Communications Solutions

Navigation: Cisco ER Administration

Logged in as: CERAdministrator

System | ERL | Phone Tracking | ERL Membership | User Management | Reports | Tools | Help

Cisco Unified Communications Manager Clusters

Status
Please enter any change for the current Cisco Unified Communications Manager

Modify Cisco Unified Communications Manager Cluster

Cisco Unified Communications Manager * **172.20.110.254** [Cisco Unified Communications Managers List](#)

CTI Manager *

CTI Manager User Name *

CTI Manager Password *

BackUp CTI Manager 1

BackUp CTI Manager 2

Telephony Port Begin Address

Number of Telephony Ports

Secure Connection Parameters

Enable Secure Connection **

TFTP Server IP Address **

TFTP Server Port **

Backup TFTP Server IP Address

CAPF Server IP Address **

CAPF Server Port **

Instance ID for Publisher**

Secure Authentication String for Publisher **

Cisco Unified Communications Manager Clusters

Cisco Unified Communications Manager	Edit	Delete
172.20.110.254		

Local intranet



Cisco Emergency Responder Server group

Cisco Emergency Responder Administration - Microsoft Internet Explorer

File Edit View Favorites Tools Help

Back Forward Stop Refresh Home Search Favorites Recycle Bin Mail Print

Address <https://172.20.8.50:8443/ceradmin/servlet/CERAdminServlet?formname=servergroupconfig> Go Links >>

Cisco Emergency Responder Administration
For Cisco Unified Communications Solutions

Navigation Cisco ER Administration Go

Logged in as: CERAdministrator | About | Logout

System ERL Phone Tracking ERL Membership User Management Reports Tools Help

Cisco ER Group Settings

Status
Ready

Specify server group attributes

Cisco ER Group Name *	<input type="text" value="CERServerGroup"/>
Peer TCP Port *	<input type="text" value="17001"/>
Heart beat Count *	<input type="text" value="3"/>
Heart beat Interval (in sec) *	<input type="text" value="30"/>
Active Call Time out (in min) *	<input type="text" value="180"/>
SMTP Mail Server	<input type="text"/>
Source Mail ID	<input type="text"/>
System Administrator Mail ID	<input type="text"/>
SysLog	<input type="text" value="disable"/>
Syslog Server	<input type="text"/>
Notes	<input type="text"/>

i * indicates required item ** required if SMTP Mail Server is configured *** required if SysLog is enabled

Done Local Intranet



Telephony Settings

Cisco Emergency Responder Administration - Microsoft Internet Explorer

File Edit View Favorites Tools Help

Back Forward Stop Refresh Home Search Favorites

Address <https://172.20.8.50:8443/ceadmin/servlet/CERAdminServlet?formname=telephony> Go Links >>

Cisco Emergency Responder Administration
For Cisco Unified Communications Solutions

Navigation Cisco ER Administration Go

Logged in as: CERAdministrator | About | Logout

System ERL Phone Tracking ERL Membership User Management Reports Tools Help

Telephony settings

Status
Ready

Specify telephony attributes

Route Point for Primary Cisco ER Server *	<input type="text" value="911"/>
Route Point for Standby Cisco ER Server	<input type="text" value="912"/>
PSAP Callback Route Point Pattern *	<input type="text" value="913XXXXXXXXXX"/>
ELIN Digit Strip Pattern *	<input type="text" value="913"/>
UDP Port Begin *	<input type="text" value="32000"/>
Inter Cisco ER Group Route Pattern	<input type="text"/>
IP Type of service (00-FF) *	<input type="text" value="0x b8"/>
Onsite Alert Prompt Repeat Count *	<input type="text" value="2"/>
Use IP Address from call signaling	<input checked="" type="checkbox"/> Enable (Effective only for Cisco Unified Communications Manager 6.0 and above)

i * indicates required item

Done Local Intranet



Server Settings

Cisco Emergency Responder Administration - Microsoft Internet Explorer

File Edit View Favorites Tools Help

Back Forward Stop Refresh Home Search Favorites

Address <https://172.20.8.50:8443/ceradmin/servlet/CERAdminServlet?formname=server> Go Links

Cisco Emergency Responder Administration
For Cisco Unified Communications Solutions

Navigation Cisco ER Administration Go

System ERL Phone Tracking ERL Membership User Management Reports Tools Help

Logged in as: CERAdministrator About Logout

Server Settings for CERServerGroup

Status
Ready

Select Server
Publisher (primary)

Modify Server Settings

Server Name * Publisher

Host Name CER

Debug Package List

<input checked="" type="checkbox"/> CER_DATABASE	<input checked="" type="checkbox"/> CER_SYSADMIN
<input checked="" type="checkbox"/> CER_REMOTEUPDATE	<input checked="" type="checkbox"/> CER_TELEPHONY
<input checked="" type="checkbox"/> CER_PHONETRACKINGENGINE	<input checked="" type="checkbox"/> CER_AGGREGATOR
<input checked="" type="checkbox"/> CER_ONSITEALERT	<input checked="" type="checkbox"/> CER_GROUP
<input checked="" type="checkbox"/> CER_CALLENGINE	<input checked="" type="checkbox"/> CER_CLUSTER

Trace Package List

<input checked="" type="checkbox"/> CER_DATABASE	<input checked="" type="checkbox"/> CER_SYSADMIN
<input checked="" type="checkbox"/> CER_REMOTEUPDATE	<input checked="" type="checkbox"/> CER_TELEPHONY
<input checked="" type="checkbox"/> CER_PHONETRACKINGENGINE	<input checked="" type="checkbox"/> CER_AGGREGATOR
<input checked="" type="checkbox"/> CER_ONSITEALERT	<input checked="" type="checkbox"/> CER_GROUP
<input checked="" type="checkbox"/> CER_CALLENGINE	<input checked="" type="checkbox"/> CER_CLUSTER

i * indicates required item

Done Local Intranet



ERLs List

Cisco Emergency Responder Administration - Microsoft Internet Explorer

Address: https://172.20.8.50:8443/ceradmin/servlet/CERAdminServlet?formname=zoneconfigframe

Cisco Emergency Responder Administration
For Cisco Unified Communications Solutions

Navigation: Cisco ER Administration

Logged in as: CERAdministrator | [About](#) | [Logout](#)

System ▾ ERL ▾ Phone Tracking ▾ ERL Membership ▾ User Management ▾ Reports ▾ Tools ▾ Help ▾

Find ERL Data [Export](#) [Import](#)

Status
Ready

ERL Search Parameters
Find ERL where: contains and show items per page

ERL (1 - 4 of 4)

ERL Name	Route/Translation Pattern--ELIN	Onsite Alert Ids.	Street Name	Community Name	State	Edit	Copy	Delete	Audit Trail
Default	100911--4000		tasman	cisco	ca				view..
Test 1	10911--4085274....		tasman	big sky	ca				view..
test 2	11911--4085274....		tasman	cisco	ca				view..
test 3	13911--4085274....		tasman	cisco	ca				view..

Go 1 of 1

Local intranet



ERL 1

Cisco Emergency Responder Administration - Microsoft Internet Explorer

Cisco Emergency Responder Administration
For Cisco Unified Communications Solutions

ERL Information for Test 1

ERL Settings

ERL Name * **Test 1**

Description

Test ERL (Used for Synthetic Testing)

ELIN Settings

Route/Translation pattern

ELIN

Onsite Alert Settings

Available Onsite Alert IDs

Onsite Alert IDs for the ERL

ERL Address

ALI Details

i * indicates required item

Done Local intranet



ERL 2

Cisco Emergency Responder Administration - Microsoft Internet Explorer

Cisco Emergency Responder Administration
For Cisco Unified Communications Solutions

ERL Information for test 2

ERL Settings

ERL Name * **test 2**

Description

Test ERL (Used for Synthetic Testing)

ELIN Settings

Route/Translation pattern

ELIN

Onsite Alert Settings

Available Onsite Alert IDs

Onsite Alert IDs for the ERL

ERL Address

ALI Details

* indicates required item

Done Local intranet



ERL 3

Cisco Emergency Responder Administration - Microsoft Internet Explorer

Cisco Emergency Responder Administration
For Cisco Unified Communications Solutions

ERL Information for test 3

ERL Settings

ERL Name * **test 3**

Description

Test ERL (Used for Synthetic Testing)

ELIN Settings

Route/Translation pattern

ELIN

Onsite Alert Settings

Available Onsite Alert IDs

Onsite Alert IDs for the ERL

ERL Address

ALI Details

i * indicates required item

Done Local intranet



SNMP connection

Cisco Emergency Responder Administration - Microsoft Internet Explorer

File Edit View Favorites Tools Help

Back Forward Stop Refresh Home Search Favorites

Address <https://172.20.8.50:8443/ceradmin/servlet/CERAdminServlet> Go Links

Cisco Emergency Responder Administration
For Cisco Unified Communications Solutions

Navigation Cisco ER Administration Go

Logged in as: CERAdministrator About Logout

System ERL Phone Tracking ERL Membership User Management Reports Tools Help

SNMP Settings

Status
Please enter any change for the current SNMP Setting

Modify SNMP Community Setting

IP Address/Host Name *	172.20.8.20
Timeout (in seconds) *	<input type="text" value="10"/>
Maximum Retry Attempts *	<input type="text" value="2"/>
Read Community	<input type="text" value="public"/>

SNMP Settings

IP Address/Host Name	Timeout (in seconds)	Maximum Retry Attempts	Read Community	Delete
172.20.8.20	10	2	public	

* indicates required item

Done Local intranet



LAN Switch identifying

Cisco Emergency Responder Administration - Microsoft Internet Explorer

Address: https://172.20.8.50:8443/ceradmin/servlet/CERAdminServlet

Cisco Emergency Responder Administration
For Cisco Unified Communications Solutions

Navigation: Cisco ER Administration Go

Logged in as: CERAdministrator | About | Logout

System ▾ ERL ▾ Phone Tracking ▾ ERL Membership ▾ User Management ▾ Reports ▾ Tools ▾ Help ▾

LAN Switch Details

Export Import

Status
Please enter any change for the current LAN Switch

LAN Switch Details

Switch Host Name / IP Address * **172.20.8.20**

Description

Enable CAM based Phone Tracking

LAN Switches

Switch Host Name / IP Address	Edit	Delete
172.20.8.20		

* indicates required item

Done Local intranet



Switch Port Details

Cisco Emergency Responder Administration - Microsoft Internet Explorer

Address: https://172.20.8.50:8443/ceradmin/servlet/CERAdminServlet?formname=ports

Cisco Emergency Responder Administration
For Cisco Unified Communications Solutions

Navigation: Cisco ER Administration

Logged in as: CERAdministrator | About | Logout

System | ERL | Phone Tracking | ERL Membership | User Management | Reports | Tools | Help

Switch Port Details

<input type="checkbox"/>	172.20.8.20	3/20	View				
<input type="checkbox"/>	172.20.8.20	3/21	View				
<input type="checkbox"/>	172.20.8.20	3/22	View				
<input type="checkbox"/>	172.20.8.20	3/23	View				
<input type="checkbox"/>	172.20.8.20	3/24	View				
<input type="checkbox"/>	172.20.8.20	3/25	View				
<input type="checkbox"/>	172.20.8.20	3/26	View				
<input type="checkbox"/>	172.20.8.20	3/27	View				
<input type="checkbox"/>	172.20.8.20	3/28	View				
<input type="checkbox"/>	172.20.8.20	3/29	View				
<input type="checkbox"/>	172.20.8.20	3/30	View				
<input type="checkbox"/>	172.20.8.20	3/31	View				
<input type="checkbox"/>	172.20.8.20	3/32	View				
<input type="checkbox"/>	172.20.8.20	3/33	View				
<input type="checkbox"/>	172.20.8.20	3/34	View				
<input type="checkbox"/>	172.20.8.20	3/35	View				
<input type="checkbox"/>	172.20.8.20	3/36	View				
<input type="checkbox"/>	172.20.8.20	3/37	View				
<input type="checkbox"/>	172.20.8.20	3/38	View				
<input type="checkbox"/>	172.20.8.20	3/39	View				
<input type="checkbox"/>	172.20.8.20	3/40	View				
<input type="checkbox"/>	172.20.8.20	3/41	View	3014	172.20.110.250	Cisco 7971	
<input type="checkbox"/>	172.20.8.20	3/42	View	3013	172.20.110.251	Cisco 7971	
<input type="checkbox"/>	test 3	172.20.8.20	3/43	View	3012	172.20.110.252	Cisco 7940
<input type="checkbox"/>	172.20.8.20	3/44	View				
<input type="checkbox"/>	172.20.8.20	3/45	View				
<input type="checkbox"/>	test 3	172.20.8.20	3/46	View	3011	172.20.110.253	Cisco 7960
<input type="checkbox"/>	172.20.8.20	3/47	View				
<input type="checkbox"/>	172.20.8.20	3/48	View				

Export Import

1 of 2

Loading search result will take time. Please wait.

Local intranet



Defining Manual Phones (PBX Stations)

Cisco Emergency Responder Administration - Microsoft Internet Explorer

File Edit View Favorites Tools Help

Address <https://172.20.8.50:8443/ceradmin/servlet/CERAdminServlet?formname=analog>

Cisco Emergency Responder Administration
For Cisco Unified Communications Solutions

Navigation: Cisco ER Administration

Logged in as: CERAdministrator | [About](#) | [Logout](#)

System ▾ ERL ▾ Phone Tracking ▾ ERL Membership ▾ User Management ▾ Reports ▾ Tools ▾ Help ▾

Find and List Manually Configured Phones [Export](#) [Import](#)

Status
Ready

Manual Phone Search Parameters
Find manual phones where Line Number contains and show 20 items per page

Manually Configured Phones (1 - 2 of 2)

Line Number	ERL Name	IP Address	MAC Address	Location	Edit	Delete
4050	test_2					
4054	Test_1					

1 of 1

Done Local intranet



Cisco Emergency Responder Administration - Microsoft Internet Explorer

File Edit View Favorites Tools Help

Back Forward Stop Refresh Home Search Favorites Print Mail News RSS People

Address <https://172.20.8.50:8443/ceradmin/servlet/CERAdminServlet> Go Links

Cisco Emergency Responder Administration
For Cisco Unified Communications Solutions

Navigation Cisco ER Administration Go

Logged in as: CERAdministrator | About | Logout

System ERL Phone Tracking ERL Membership User Management Reports Tools Help

Modify Manual Phone

Status
Please enter any change for the current Manual Phone

Modify Manual Phone

Line Number *	4054
MAC Address	<input type="text"/>
IP Address	<input type="text"/>
Phone Type	<input type="text"/>
Version	<input type="text"/>
Location	<input type="text"/>
ERL Name *	Test 1 <input type="button" value="Search ERL"/>

* indicates required item

Done Local intranet



Cisco CMM IOS Gateway MGCP configuration for QSIG connectivity

```
tonycmm#sh run
```

Building configuration...

Current configuration : 2077 bytes

!

version 12.4



```
no service pad
service timestamps debug datetime msec
service timestamps log datetime msec
no service password-encryption
!
hostname tonycmm
!
boot-start-marker
boot system bootflash:wscmm-ipvoicek9-mz.124-11.T.bin
boot-end-marker
!
logging buffered 10000000
no logging console
enable password cisco
!
no aaa new-model
mmi polling-interval 60
no mmi auto-configure
no mmi pvc
mmi snmp-timeout 180
!
!
no ip domain lookup
ip host CM-BARZA 172.20.110.254
multilink bundle-name authenticated
!
isdn switch-type primary-qsig
!
!
!
!
!
!
!
!
!
```




```
!  
!  
!  
!  
!  
!  
controller T1 1/0  
  pri-group timeslots 1-24 service mgcp  
!  
controller T1 1/1  
!  
controller T1 1/2  
!  
controller T1 1/3  
!  
controller T1 1/4  
!  
controller T1 1/5  
!  
!  
!  
!  
interface GigabitEthernet1/0  
  ip address 172.20.8.253 255.255.255.0  
  no ip proxy-arp  
  no negotiation auto  
  no keepalive  
!  
interface Serial1/0:23  
  no ip address  
  encapsulation hdlc  
  no logging event link-status  
  isdn switch-type primary-qsig  
  isdn protocol-emulate network  
  isdn incoming-voice voice  
  isdn bind-13 ccm-manager
```



```
no cdp enable
!
ip default-gateway 172.20.8.1
ip route 0.0.0.0 0.0.0.0 172.20.8.1
!
no ip http server
no ip http secure-server
!
!
control-plane
!
!
voice-port 1/0:23
!
ccm-manager mgcp
ccm-manager music-on-hold
ccm-manager config server CM-BARZA
ccm-manager config
!
mgcp
mgcp call-agent CM-BARZA 2427 service-type mgcp version 0.1
mgcp dtmf-relay voip codec all mode out-of-band
mgcp rtp unreachable timeout 1000 action notify
mgcp modem passthrough voip mode nse
mgcp package-capability rtp-package
no mgcp package-capability res-package
mgcp package-capability sst-package
mgcp package-capability pre-package
no mgcp timer receive-rtcp
mgcp sdp simple
mgcp fax t38 inhibit
mgcp rtp payload-type g726r16 static
!
mgcp profile default
!
!
```



```
!  
!  
!  
!  
line con 0  
password cisco  
transport output all  
line vty 0 4  
exec-timeout 0 0  
password cisco  
login  
transport input all  
transport output all  
!  
!  
end
```

tonycmm#

Cisco 3825 Cisco IOS Gateway H323 configuration for CAMA trunk connectivity

CAMA_GW#sh run

Building configuration...

Current configuration : 1241 bytes

```
!  
version 12.4  
service timestamps debug datetime msec  
service timestamps log datetime msec  
no service password-encryption  
!  
hostname CAMA_GW  
!  
boot-start-marker  
boot-end-marker  
!
```



```
enable password cisco
```

```
!
```

```
no aaa new-model
```

```
ip cef
```

```
!
```

```
!
```

```
!
```

```
!
```

```
multilink bundle-name authenticated
```

```
!
```

```
voice-card 0
```

```
no dspfarm
```

```
!
```

```
!
```

```
!
```

```
!
```

```
!
```

```
!
```

```
!
```

```
!
```

```
!
```

```
!
```

```
!
```

```
!
```

```
!
```

```
!
```

```
!
```

```
!
```

```
!
```

```
!
```

```
!
```

```
!
```

```
!
```

```
!
```

```
!
```

```
!
```

```
!
```



```
!  
interface GigabitEthernet0/0  
ip address 172.20.8.26 255.255.255.0  
  
duplex auto  
speed auto  
media-type rj45  
no keepalive  
!  
interface GigabitEthernet0/1  
no ip address  
shutdown  
duplex auto  
speed auto  
media-type rj45  
no keepalive  
!  
ip route 0.0.0.0 0.0.0.0 172.20.8.1  
!  
!  
ip http server  
no ip http secure-server  
!  
!  
!  
!  
control-plane  
!  
!  
!  
voice-port 0/2/0  
signal cama KP-0-NPA-NXX-XXXX-ST  
dial-type mf  
timing hookflash-out 500  
description CAMA  
!  
voice-port 0/2/1
```



```
!  
voice-port 0/3/0  
!  
voice-port 0/3/1  
!  
!  
!  
!  
!  
dial-peer voice 911 pots  
destination-pattern 911  
no digit-strip  
port 0/2/0  
forward-digits all  
!  
dial-peer voice 999 voip  
description Call-in PSTN simulation  
destination-pattern .T  
session target ipv4:172.20.110.254  
!  
!  
!  
line con 0  
password cisco  
login  
stopbits 1  
line aux 0  
stopbits 1  
line vty 0 4  
password cisco  
login  
!  
scheduler allocate 20000 1000  
!  
end
```



CAMA_GW#



CAMA voice-port config

CAMA_GW#sh voice port 0/2/0

Foreign Exchange Office 0/2/0 Slot is 0, Sub-unit is 2, Port is 0

Type of VoicePort is FXO

Operation State is DORMANT

Administrative State is UP

The Last Interface Down Failure Cause is Administrative Shutdown

Description is CAMA

Noise Regeneration is enabled

Non Linear Processing is enabled

Non Linear Mute is disabled

Non Linear Threshold is -21 dB

Music On Hold Threshold is Set to -38 dBm

In Gain is Set to 0 dB

Out Attenuation is Set to 3 dB

Echo Cancellation is enabled

Echo Cancellation NLP mute is disabled

Echo Cancellation NLP threshold is -21 dB

Echo Cancel Coverage is set to 64 ms

Echo Cancel worst case ERL is set to 6 dB

Playout-delay Mode is set to adaptive

Playout-delay Nominal is set to 60 ms

Playout-delay Maximum is set to 250 ms

Playout-delay Minimum mode is set to default, value 40 ms

Playout-delay Fax is set to 300 ms

Connection Mode is normal

Connection Number is not set

Initial Time Out is set to 10 s



Interdigit Time Out is set to 10 s

Call Disconnect Time Out is set to 60 s

Ringing Time Out is set to 180 s

Wait Release Time Out is set to 30 s

Companding Type is u-law

Region Tone is set for US

Analog Info Follows:

Currently processing none

Maintenance Mode Set to None (not in mtc mode)

Number of signaling protocol errors are 0

Impedance is set to 600r Ohm

Station name None, Station number None

Translation profile (Incoming):

Translation profile (Outgoing):

Voice card specific Info Follows:

Signal Type is cama

Cama Type is KP-0-NPA-NXX-XXXX-ST

Battery-Reversal is enabled

Number Of Rings is set to 1

Supervisory Disconnect is signal

Answer Supervision is inactive

Hook Status is On Hook

Ring Detect Status is inactive

Ring Ground Status is inactive

Tip Ground Status is inactive

Dial Out Type is mf

Digit Duration Timing is set to 75 ms



InterDigit Duration Timing is set to 65 ms
Pulse Rate Timing is set to 10 pulses/second
InterDigit Pulse Duration Timing is set to 750 ms
Percent Break of Pulse is 60 percent
GuardOut timer is 2000 ms
Minimum ring duration timer is 125 ms
Hookflash-in Timing is set to 600 ms
Hookflash-out Timing is set to 500 ms
Supervisory Disconnct Timing is set to 350 ms
OPX Ring Wait Timing is set to 6000 ms
CAMA_GW#

Configuring the Cisco Catalyst 6000

```
Console> (enable) sh snmp
SNMP:           Enabled
RMON:           Disabled
Extended RMON Netflow Enabled : None.
Memory usage limit for new RMON entries: 85 percent
EngineId: 00:00:00:09:00:01:97:31:c8:00:00:00
Chassis Alias:
Traps Enabled: None
Port Traps Enabled: None
```

```
Community-Access  Community-String
```

```
-----
read-only         public
read-write        private
read-write-all   secret
```

```
Additional-          Access-
Community-String    Access-Type  Number View
```

```
-----
Trap-Rec-Address Trap-Rec-Community Trap-Rec-Port Trap-Rec-Owner Trap-Rec-Index
```

```
Console> (enable) sh cdp
CDP           : enabled
```



Message Interval : 60
Hold Time : 180
Version : V2
Device Id Format : Other
Console> (enable)

set interface sc0 109 172.20.8.20/255.255.255.0 172.20.8.255



Configuring the Nortel CS1000M with Succession 4.0 Software Release PBX

Common Equipment

```
REQ prt
TYPE cequ

CEQU
MPED 8D
SUPL 000 004 008 012
      016 032 036 040
      044 048 064 068
      072 V096 V100
TDS 000
CONF 029 030 031 062
      094 095

DLOP NUM DCH FRM TMDI LCMT YALM T1TE TRSH
PRI 02 24 ESF NO B8S FDL - 00
     06 23 ESF NO B8S FDL - 00
PRI2 04 05 07
DTI2
MISP
```

Configure D-Channel

```
REQ prt
TYPE adan dch 4

ADAN DCH 4
CTYP MSDL
CARD 04
PORT 1
DES toJupiter
USR PRI
DCHL 4
OTBF 32
PARM RS422 DTE
DRAT 64KC
CLOK EXT
IFC ISGF
  PINK_CUST 0
  ISDN_MCNT 300
CLID OPT0
CO_TYPE STD
SIDE USR
CNEG 2
RLS ID 4
QCHID YES
RCAP COLP NDI CCBI CCNI PRI DV3I CTI QMWI
PR_TRIGS DIV 2 3
  CON 0 1
  CTR1 2 3
MBGA NO
OVLN NO
OVLN NO
T310 120
T200 3
T203 10
N200 3
N201 260
K 7
```



Configure Route Data Block

REQ: prt

TYPE: rdb

CUST 0

ROUT 104

TYPE RDB
CUST 00
DMOD
ROUT 104
DES TOJUPITER
TKTP TIE
NPID_TBL_NUM 0
ESN NO
CNVT NO
SAT NO
RCLS EXT
VTRK NO
NODE
DTRK YES
BRIP NO
DGTP PRI2
ISDN YES
MODE PRA
IFC ISGF
SBN NO
PNI 00001
NCNA NO
NCRD NO
CTYP UKWN
INAC NO
ISAR NO
CPFXS YES
DAPC NO
INTC NO
DSEL VOD
PTYP DTT
AUTO NO
DNIS NO
DCDR NO
ICOG IAO
SRCH LIN
TRMB YES
STEP
ACOD 204
TCPP NO
TARG 01
CLEN 1
BILN NO
OABS
INST
ANTK
SIGO STD
ICIS YES
TIMR ICF 512
OGF 512
EOD 13952
NRD 10112
DDL 70
ODT 4096
RGV 640



GRD 896
SFB 3
NBS 2048
NBL 4096

IENB 5
TFD 0
VSS 0

PAGE 002

VGD 6
DRNG NO
CDR NO
VRAT NO
MUS NO
FRL 0 0
FRL 1 0
FRL 2 0
FRL 3 0
FRL 4 0
FRL 5 0
FRL 6 0
FRL 7 0
OHQ NO
OHQT 00
CBQ NO
AUTH NO
TTBL 0
ATAN NO
PLEV 2
ALRM NO
ART 0
SGRP 0
AACR NO

Configure Trunk

REQ: prt

TYPE: tnb

TN 4 1

DATE

PAGE

DES

DES TOJUPITER
TN 004 01
TYPE TIE
CDEN SD
CUST 0
TRK PRI2
PDCA 1
PCML A
NCOS 0
RTMB 104 1
B-CHANNEL SIGNALING
TGAR 1



```
AST NO
IAPG 0
CLS UNR DTN WTA LPR APN THFD
P10 VNL
```

Software Release

```
>LD 22
```

```
PT2000
MARP NOT ACTIVATED
```

```
ld 22
PT2000
```

```
REQ iss
```

```
CALL SERVER/MAIN CAB
VERSION 2121
RELEASE 4
ISSUE 00 T +
IDLE_SET_DISPLAY NORTEL
REQ ****
>
```

Software package Installed (Succession 4.0)

OPTF	1
CUST	2
CDR	4
CTY	5
RAN	7
TAD	8
DNDI	9
EES	10
INTR	11
ANI	12
ANIR	13
BRTE	14
DNDG	16
MSB	17
SS25	18
DDSP	19
ODAS	20
DI	21
CHG	23
CAB	24
BAUT	25
CASM	26
CASR	27
BQUE	28
NTRF	29
NCOS	32
CPRK	33
SSC	34
IMS	35
UST	35
UMG	35
ROA	36
NSIG	37
MCBQ	38
NSC	39
BACD	40



ACDB	41
ACDC	42
LMAN	43
MUS	44
ACDA	45
MWC	46
AAB	47
GRP	48
NFCR	49
LNK	51
FCA	52
SR	53
AA	54
HIST	55
AOP	56
BARS	57
NARS	58
CDP	59
PQUE	60
FCBQ	61
OHQ	62
NAUT	63
SNR	64
NXFR	67
HOT	70
DHLD	71
LSEL	72
SS5	73
DRNG	74
PBXI	75
DLDN	76
CSL	77
OOD	79
SCI	80
CCOS	81
CDRQ	83
TENS	86
FTDS	87
DSET	88
TSET	89
LNR	90
DLT2	91
PXLT	92
SUPV	93
CPND	95
DNIS	98
BGD	99
RMS	100
MR	101
AWU	102
PMSI	103
LLC	105
MCT	107
ICDR	108
APL	109
TVS	110
TOF	111
IDC	113
DCP	115
PAGT	116
CBC	117
CCDR	118
EMUS	119
PLDN	120
SCMP	121
FTC	125
BKI	127



DTI2	129
TBAR	132
ENS	133
FFC	139
DCON	140
MPO	141
ISDN	145
PRA	146
ISL	147
NTWK	148
IEC	149
DNXP	150
CDRE	151
FXS	152
IAP3P	153
PRI2	154
THF	157
FGD	158
NAS	159
FNP	160
ISDN_INTL_SUP	161
SAR	162
MINT	163
LAPW	164
GPRI	167
ARIE	170
CPGS	172
ECCS	173
AAA	174
NMS	175
EOVF	178
HVS	179
DKS	180
SACP	181
VNS	183
OVL P	184
EDRG	185
POVR	186
SECL	191
ORC-RVQ	192
AINS	200
IPRA	202
XPE	203
XCT0	204
XCT1	205
MLWU	206
HSE	208
MLM	209
MAID	210
VAWU	212
EAR	214
ECT	215
BRI	216
IVR	218
MWI	219
MSDL	222
FC68	223
SSAU	229
BRIT	233
FCDR	234
BRIL	235
MCMO	240
MULTI_USER	242
ALRM_FILTER	243
SYS_MSG_LKUP	245
VMBA	246
CALL_ID	247



DPNA	250
SCDR	251
ARFW	253
PHTN	254
ADMINSET	256
ATX	258
CDRX	259
QSIG	263
NI-2	291
IPEX	295
MAT	296
CPP	301
QSIGGF	305
CPRKNET	306
PAGENET	307
CPCI	310
TATO	312
OPEN_ALARM	315
QSIG-SS	316
NGEN	324
RANBRD	327
MUSBRD	328
ESA	329
ESA_SUPP	330
ESA_CLMP	331
CNUMB	332
CNAME	333
NI-2_CBC	334
MEET	348
MC32	350
DBA	351
FDID	362
NMCE	364
STS_MSG	380
CDIR	381
VIRTUAL_OFFICE	382
ATAN	384
NI2NAME	385
M3900_PROD_ENH	386
VIR_OFF_ENH	387
OAS	394
ICON	397
PCA	398
H323_VTRK	399
LOCKX	400
PVQM	401
SIP	406

REQ

Acronyms

Acronym	Definitions
CAMA	Analog “Centralized Automatic Message Accounting” E911 Trunk
PSAP	Public Service Answering Point



Important Information

THE SPECIFICATIONS AND INFORMATION REGARDING THE PRODUCTS IN THIS MANUAL ARE SUBJECT TO CHANGE WITHOUT NOTICE. ALL STATEMENTS, INFORMATION, AND RECOMMENDATIONS IN THIS MANUAL ARE BELIEVED TO BE ACCURATE BUT ARE PRESENTED WITHOUT WARRANTY OF ANY KIND, EXPRESS OR IMPLIED. USERS MUST TAKE FULL RESPONSIBILITY FOR THEIR APPLICATION OF ANY PRODUCTS.

IN NO EVENT SHALL CISCO OR ITS SUPPLIERS BE LIABLE FOR ANY INDIRECT, SPECIAL, CONSEQUENTIAL, OR INCIDENTAL DAMAGES, INCLUDING, WITHOUT LIMITATION, LOST PROFITS OR LOSS OR DAMAGE TO DATA ARISING OUT OF THE USE OR INABILITY TO USE THIS MANUAL, EVEN IF CISCO OR ITS SUPPLIERS HAVE BEEN ADVISED OF THE POSSIBILITY OF SUCH DAMAGES.



**Corporate
Headquarters**

Cisco Systems, Inc.
170 West Tasman Drive
San Jose, CA 95134-1706
USA
www.cisco.com
Tel: 408 526-4000
800 553-NETS (6387)
Fax: 408 526-4100

**European
Headquarters**

Cisco Systems International
BV
Haarlerbergpark
Haarlerbergweg 13-19
1101 CH Amsterdam
The Netherlands
www-europe.cisco.com
Tel: 31 0 20 357 1000
Fax: 31 0 20 357 1100

**Americas
Headquarters**

Cisco Systems, Inc.
170 West Tasman Drive
San Jose, CA 95134-1706
USA
www.cisco.com
Tel: 408 526-7660
Fax: 408 527-0883

**Asia Pacific
Headquarters**

Cisco Systems, Inc.
Capital Tower
168 Robinson Road
#22-01 to #29-01
Singapore 068912
www.cisco.com
Tel: +65 317 7777
Fax: +65 317 7799

Cisco Systems has more than 200 offices in the following countries and regions. Addresses, phone numbers, and fax numbers are listed on the Cisco Web site at www.cisco.com/go/offices.

Argentina • Australia • Austria • Belgium • Brazil • Bulgaria • Canada • Chile • China PRC • Colombia • Costa Rica • Croatia • Czech Republic • Denmark • Dubai, UAE • Finland • France • Germany • Greece • Hong Kong SAR • Hungary • India • Indonesia • Ireland • Israel • Italy • Japan • Korea • Luxembourg • Malaysia • Mexico • The Netherlands • New Zealand • Norway • Peru • Philippines • Poland • Portugal • Puerto Rico • Romania • Russia • Saudi Arabia • Scotland • Singapore • Slovakia • Slovenia • South Africa • Spain • Sweden • Switzerland • Taiwan • Thailand • Turkey • Ukraine • United Kingdom • United States • Venezuela • Vietnam • Zimbabwe

© 2007 Cisco Systems, Inc. All rights reserved.

CCVP, the Cisco logo, and the Cisco Square Bridge logo are trademarks of Cisco Systems, Inc.; Changing the Way We Work, Live, Play, and Learn is a service mark of Cisco Systems, Inc.; and Access Registrar, Aironet, BPX, Catalyst, CCDA, CCDP, CCIE, CCIP, CCNA, CCNP, CCSP, Cisco, the Cisco Certified Internetwork Expert logo, Cisco IOS, Cisco Press, Cisco Systems, Cisco Systems Capital, the Cisco Systems logo, Cisco Unity, Enterprise/Solver, EtherChannel, EtherFast, EtherSwitch, Fast Step, Follow Me Browsing, FormShare, GigaDrive, HomeLink, Internet Quotient, IOS, iPhone, IP/TV, iQ Expertise, the iQ logo, iQ Net Readiness Scorecard, iQuick Study, LightStream, Linksys, MeetingPlace, MGX, Networking Academy, Network Registrar, Packet, PIX, ProConnect, ScriptShare, SMARTnet, StackWise, The Fastest Way to Increase Your Internet Quotient, and TransPath are registered trademarks of Cisco Systems, Inc. and/or its affiliates in the United States and certain other countries.

All other trademarks mentioned in this document or Website are the property of their respective owners. The use of the word partner does not imply a partnership relationship between Cisco and any other company. (0705R)

Printed in the USA