

Cisco Ceiling Microphone Pro

Room Preparation Guidelines



Contents

Room Preparation Guidelines	3
Distances	3
Placement relative to participants	4
In combination with video systems	5
Other considerations	5
Learn more	6

Room Preparation Guidelines

Distances

Figures 1, 2, and 3 illustrate the microphone placement guidelines. To meet these guidelines, use one of the Cisco Ceiling Microphone Pro mounting kits as instructed in this guide.

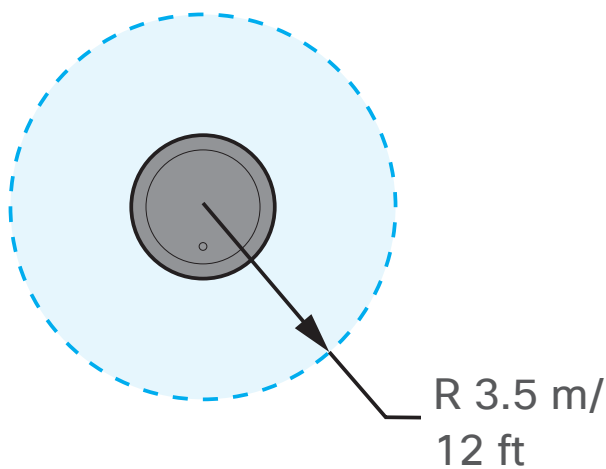


Fig. 1: Optimal range max

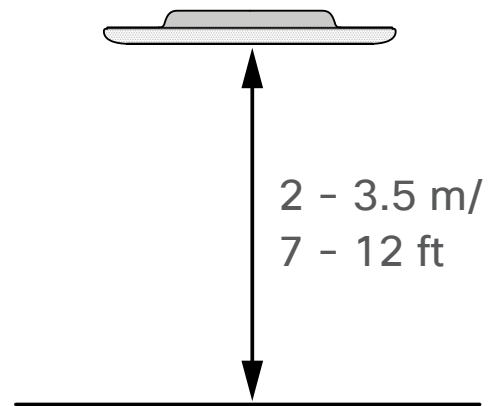


Fig. 2: Distance to floor

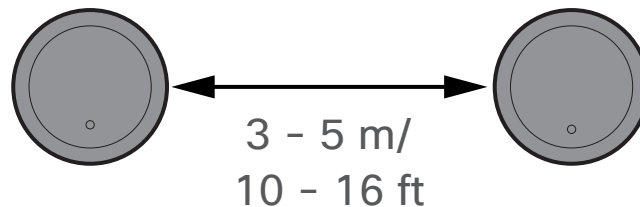


Fig. 3: Distance between microphones

Placement relative to participants

The size, layout, and acoustics of your room will determine the number of Ceiling Microphone Pros needed for optimal coverage. When installing the microphone(s), make sure that all participants in the room will face at least one microphone as much as possible.

If you're installing a single microphone we recommend mounting it towards the front of the table rather than over the middle (figure 4). This will ensure that all participants, including those in the front row, face the microphone when talking towards the video system. If this means the distance from the microphone to the participants is too great, we recommend installing a second microphone (figure 5).

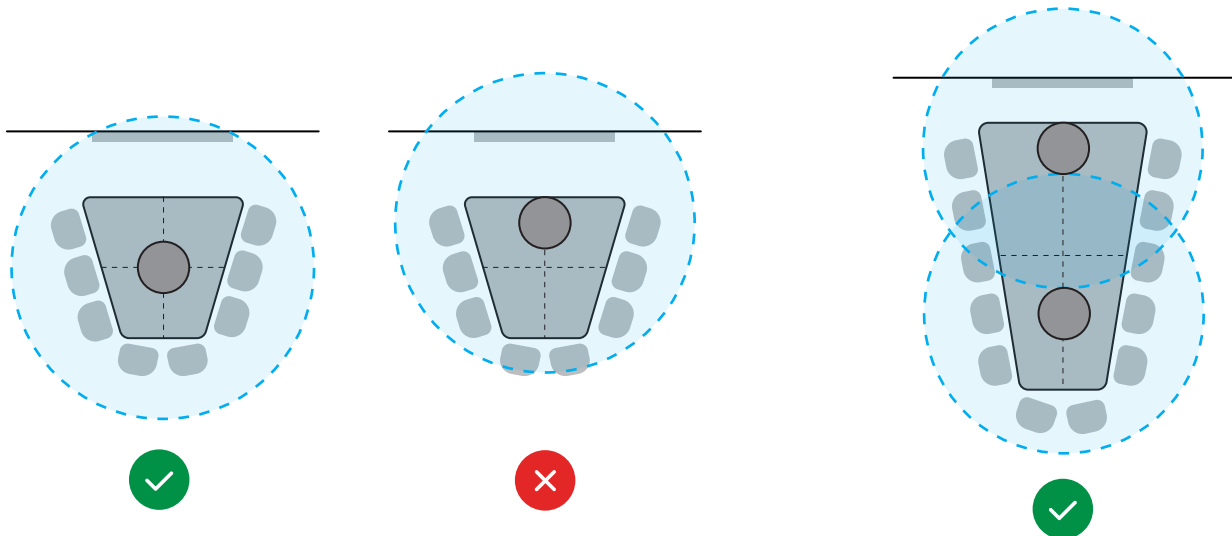


Fig. 4

Fig. 5

An optimal installation is within these limits. Room acoustics will affect microphone performance, as well as the degree of degradation outside of the limits. In a room with poor acoustics, install the microphone near the lower end of these recommendations.

In combination with video systems

If your video system has internal microphones for speech pickup, the Ceiling Microphone Pro can extend the microphone pickup range and improve speech pickup for participants further back in the room (figure 6).

Mount the Ceiling Microphone Pro at the edge of the video system's microphone pickup range:

- Cisco Room Bar Pro 4 m/13 ft
- Cisco Room Bar 3 m/10ft
- Cisco Board Pro 4 m/13 ft

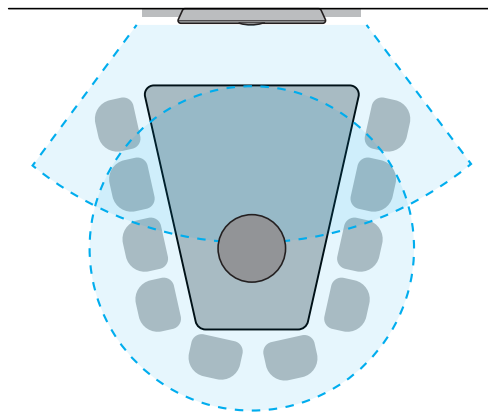


Fig. 6

Other considerations

- Make sure there are no objects on the ceiling (lamps, building features, etc) between the microphone and all potential participants.
- Avoid placing the microphone close to noise sources such as ventilation or other technical installations.
- We recommend that you avoid installing the microphone close to any loudspeakers.

Learn more

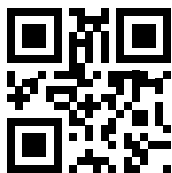
You can download the room preparation guidelines and installation guide here:



Look for
Cisco Ceiling Microphone Pro

<https://www.cisco.com/go/ceiling-microphone-pro-installation>

Visit these websites to learn more about your device:



help.webex.com



cs.co/webexadoption



Cisco Systems Inc.
Corporate Headquarters
170 West Tasman Dr.
San Jose, CA 95134
USA

<https://www.cisco.com/go/offices>

Cisco and the Cisco logo are trademarks or registered trademarks of Cisco and/or its affiliates in the U.S. and other countries. To view a list of Cisco trademarks, go to this URL: www.cisco.com/go/trademarks. Third-party trademarks mentioned are the property of their respective owners. The use of the word partner does not imply a partnership relationship between Cisco and any other company. (1110R)

- FR** Cisco et le logo Cisco sont des marques commerciales ou déposées de Cisco et/ou de ses filiales aux États-Unis et dans d'autres pays. Pour consulter la liste des marques commerciales de Cisco, visitez la page : www.cisco.com/go/trademarks. Les autres marques commerciales mentionnées dans le présent document sont la propriété de leurs détenteurs respectifs. L'utilisation du terme « partenaire » n'implique pas de relation de partenariat entre Cisco et toute autre entreprise. (1110R)
- ES** Cisco y el logotipo de Cisco son marcas comerciales o registradas de Cisco y/o sus filiales en Estados Unidos y otros países. Si desea consultar una lista de las marcas comerciales de Cisco, visite: www.cisco.com/go/trademarks. Las marcas comerciales de terceros que aquí se mencionan pertenecen a sus respectivos propietarios. El uso de la palabra "partner" no implica la existencia de una asociación entre Cisco y cualquier otra empresa. (1110R)
- PT** Cisco e o logótipo da Cisco são marcas comerciais ou marcas comerciais registadas da Cisco e/ou das respectivas empresas afiliadas nos EUA e noutros países. Para ver uma lista de marcas comerciais da Cisco, aceda a este URL: www.cisco.com/go/trademarks. As marcas comerciais de terceiros mencionadas são propriedade dos respectivos proprietários. A utilização da palavra parceiro não implica uma relação de parceria entre a Cisco e qualquer outra empresa. (1110R)
- IT** Cisco e il logo Cisco sono marchi o marchi registrati di Cisco e/o dei relativi affiliati negli Stati Uniti e in altri paesi. Per visualizzare l'elenco di marchi Cisco, visitare il sito Web all'indirizzo: www.cisco.com/go/trademarks. I marchi commerciali di terze parti citati sono proprietà dei rispettivi titolari. L'utilizzo del termine partner non implica una relazione di partnership tra Cisco e altre aziende. (1110R)
- DE** Cisco und das Cisco Logo sind Marken oder eingetragene Marken von Cisco und/oder Partnerunternehmen in den Vereinigten Staaten und anderen Ländern. Eine Liste der Cisco Marken finden Sie unter www.cisco.com/go/trademarks. Die genannten Marken anderer Anbieter sind Eigentum der jeweiligen Inhaber. Die Verwendung des Begriffs „Partner“ impliziert keine gesellschaftsrechtliche Beziehung zwischen Cisco und anderen Unternehmen. (1110R)