



## **Cisco 380 and Cisco 680 Series Hardware Installation Guide**

Cisco C380 and C680 Email Security Appliance, Cisco M380 and M680 Content Security Management Appliance, and Cisco S380 and S680 Web Security Appliance

Published October 28, 2013

Revised October 11, 2020

**Cisco Systems, Inc.**

[www.cisco.com](http://www.cisco.com)

Cisco has more than 200 offices worldwide. Addresses, phone numbers, and fax numbers are listed on the Cisco website at [www.cisco.com/go/offices](http://www.cisco.com/go/offices).

THE SPECIFICATIONS AND INFORMATION REGARDING THE PRODUCTS IN THIS MANUAL ARE SUBJECT TO CHANGE WITHOUT NOTICE. ALL STATEMENTS, INFORMATION, AND RECOMMENDATIONS IN THIS MANUAL ARE BELIEVED TO BE ACCURATE BUT ARE PRESENTED WITHOUT WARRANTY OF ANY KIND, EXPRESS OR IMPLIED. USERS MUST TAKE FULL RESPONSIBILITY FOR THEIR APPLICATION OF ANY PRODUCTS.

THE SOFTWARE LICENSE AND LIMITED WARRANTY FOR THE ACCOMPANYING PRODUCT ARE SET FORTH IN THE INFORMATION PACKET THAT SHIPPED WITH THE PRODUCT AND ARE INCORPORATED HEREIN BY THIS REFERENCE. IF YOU ARE UNABLE TO LOCATE THE SOFTWARE LICENSE OR LIMITED WARRANTY, CONTACT YOUR CISCO REPRESENTATIVE FOR A COPY.

The following information is for FCC compliance of Class A devices: This equipment has been tested and found to comply with the limits for a Class A digital device, pursuant to part 15 of the FCC rules. These limits are designed to provide reasonable protection against harmful interference when the equipment is operated in a commercial environment. This equipment generates, uses, and can radiate radio-frequency energy and, if not installed and used in accordance with the instruction manual, may cause harmful interference to radio communications. Operation of this equipment in a residential area is likely to cause harmful interference, in which case users will be required to correct the interference at their own expense.

The following information is for FCC compliance of Class B devices: This equipment has been tested and found to comply with the limits for a Class B digital device, pursuant to part 15 of the FCC rules. These limits are designed to provide reasonable protection against harmful interference in a residential installation. This equipment generates, uses and can radiate radio frequency energy and, if not installed and used in accordance with the instructions, may cause harmful interference to radio communications. However, there is no guarantee that interference will not occur in a particular installation. If the equipment causes interference to radio or television reception, which can be determined by turning the equipment off and on, users are encouraged to try to correct the interference by using one or more of the following measures:

- Reorient or relocate the receiving antenna.
- Increase the separation between the equipment and receiver.
- Connect the equipment into an outlet on a circuit different from that to which the receiver is connected.
- Consult the dealer or an experienced radio/TV technician for help.

Modifications to this product not authorized by Cisco could void the FCC approval and negate your authority to operate the product.

The Cisco implementation of TCP header compression is an adaptation of a program developed by the University of California, Berkeley (UCB) as part of UCB's public domain version of the UNIX operating system. All rights reserved. Copyright © 1981, Regents of the University of California.

NOTWITHSTANDING ANY OTHER WARRANTY HEREIN, ALL DOCUMENT FILES AND SOFTWARE OF THESE SUPPLIERS ARE PROVIDED "AS IS" WITH ALL FAULTS. CISCO AND THE ABOVE-NAMED SUPPLIERS DISCLAIM ALL WARRANTIES, EXPRESSED OR IMPLIED, INCLUDING, WITHOUT LIMITATION, THOSE OF MERCHANTABILITY, FITNESS FOR A PARTICULAR PURPOSE AND NONINFRINGEMENT OR ARISING FROM A COURSE OF DEALING, USAGE, OR TRADE PRACTICE.

IN NO EVENT SHALL CISCO OR ITS SUPPLIERS BE LIABLE FOR ANY INDIRECT, SPECIAL, CONSEQUENTIAL, OR INCIDENTAL DAMAGES, INCLUDING, WITHOUT LIMITATION, LOST PROFITS OR LOSS OR DAMAGE TO DATA ARISING OUT OF THE USE OR INABILITY TO USE THIS MANUAL, EVEN IF CISCO OR ITS SUPPLIERS HAVE BEEN ADVISED OF THE POSSIBILITY OF SUCH DAMAGES.

Cisco and the Cisco logo are trademarks or registered trademarks of Cisco and/or its affiliates in the U.S. and other countries. To view a list of Cisco trademarks, go to this URL: [www.cisco.com/go/trademarks](http://www.cisco.com/go/trademarks). Third-party trademarks mentioned are the property of their respective owners. The use of the word partner does not imply a partnership relationship between Cisco and any other company. (1110R)

Any Internet Protocol (IP) addresses and phone numbers used in this document are not intended to be actual addresses and phone numbers. Any examples, command display output, network topology diagrams, and other figures included in the document are shown for illustrative purposes only. Any use of actual IP addresses or phone numbers in illustrative content is unintentional and coincidental.

*Cisco 380 and Cisco 680 Series Hardware Installation Guide*  
© 2013-2020 Cisco Systems, Inc. All rights reserved.



iii

**Preface** ii-v

Objectives	v
Audience	v
Organization	vi
Command Syntax Conventions	vi
Conventions	vii
Where to Find Safety and Warning Information	xii
Related Documentation	xii
Contacting Service and Support	xiii
Obtaining Documentation and Submitting a Service Request	xiii

---

**CHAPTER 1**

**Overview** 1-1

Cisco 380 and Cisco 680 Series Overview	1-1
Cisco C380 and Cisco C680 Email Security Appliance	1-1
Cisco M380 and M680 Content Security Management Appliance	1-2
Cisco S380 and S680 Web Security Appliance	1-2
External Features	1-2
PCI NIC Slot Configurations	1-4
Cisco C380 and Cisco C680 Email Security Appliance NIC Options	1-4
Cisco M380 and M680 Content Security Management Appliance NIC Options	1-5
Cisco S380 and S680 Web Security Appliance NIC Options	1-5
Status LEDs and Buttons	1-7
Front Panel LEDs	1-7
Rear Panel LEDs and Buttons	1-10

---

**CHAPTER 2**

**Installing the Appliance** 2-1

Installation Overview	2-2
Unpacking and Inspecting the Appliance	2-2
Preparing for Appliance Installation	2-3
Installation Guidelines	2-3
Rack Requirements	2-4

Equipment Requirements 2-5  
 Slide Rail Adjustment Range 2-5  
 Installing the Appliance in a Rack 2-5  
 Connecting the Interface Cables and Verifying Connectivity 2-7

**CHAPTER 3**

**Maintaining the Appliance 3-1**

Power Supplies 3-1  
 Remote Power Management 3-2  
     Enable Remote Power Management 3-2  
 Replacing Hard Drives 3-3  
     Replacing Hard Drives 3-4  
 Contacting Service and Support 3-5

**APPENDIX A**

**Appliance Specifications A-1**

Physical Specifications A-1  
 Hardware and Technical Specifications A-2  
 Power Specifications A-3  
 Environmental Specifications A-4

**APPENDIX B**

**Identifying Cable Pinouts B-1**

10/100/1000BaseT Connectors B-1  
 Console Port (RJ-45) B-2  
 RJ-45 to DB-9 B-4

**APPENDIX C**

**Power Cord Specifications C-1**

Supported Power Cords and Plugs C-1  
 AC Power Cord Illustrations C-3



# Preface

---

**Revised: August 30, 2020**  
**Part Number: OL-29172-01**

This preface describes the audience, organization, and conventions of the *Cisco 380 and Cisco 680 Series Hardware Installation Guide*. It also provides information about how to obtain related documentation.

## Objectives

This guide describes how to install and maintain the Cisco 380 and Cisco 680 series appliance. The information in this guide applies to the following Cisco 380 and Cisco 680 series appliance models:

- Cisco C380 and Cisco C680 Email Security Appliance (Cisco C380 and Cisco C680)
- Cisco S380 and Cisco S680 Web Security Appliance (Cisco S380 and Cisco S680)
- Cisco M380 and Cisco M680 Content Security Management Appliance (Cisco M380 and Cisco M680)

References to “Cisco 380 and Cisco 680 series” and “appliance” applies to the listed models, unless specifically noted otherwise.

## Audience

This guide is intended primarily for experienced network security administrators who install, configure and maintain Cisco content security appliances in their network.

# Organization

This guide is organized as follows:

**Table 1 Organization**

Chapter	Title	Description
Chapter 1	<a href="#">Overview</a>	Provides an overview of the appliance(s).
Chapter 2	<a href="#">Installing the Appliance</a>	Describes how to install the appliance in a rack and provides information about how to connect the interface cables.
Chapter 3	<a href="#">Maintaining the Appliance</a>	Describes the power supply provided with the appliance and how to remove and replace hard disk drives (HDDs).
Appendix A	<a href="#">Appliance Specifications</a>	Lists physical, power, and environmental specifications for the appliance.
Appendix B	<a href="#">Power Cord Specifications</a>	Lists specifications for the supported international power cords.
Appendix B	<a href="#">Identifying Cable Pinouts</a>	Describes the cable pinouts.

# Command Syntax Conventions

Table 2 describes the syntax used with the commands in this document.

**Table 2 Command Syntax Guide**

Convention	Description
<b>boldface</b>	Commands and keywords.
<i>italic</i>	Command input that is supplied by you.
[ ]	Keywords or arguments that appear within square brackets are optional.
{ x   x   x }	A choice of keywords (represented by x) appears in braces separated by vertical bars. You must select one.
^ or Ctrl	Represent the key labeled <i>Control</i> . For example, when you read ^D or <i>Ctrl-D</i> , you should hold down the Control key while you press the D key.
screen font	Examples of information displayed on the screen.
<b>boldface screen font</b>	Examples of information that you must enter.
< >	Nonprinting characters, such as passwords, appear in angled brackets.
[ ]	Default responses to system prompts appear in square brackets.

# Conventions

This document uses the following conventions for notes, cautions, and safety warnings. Notes and cautions contain important information that you should know.



**Note**

Means *reader take note*. Notes contain helpful suggestions or references to material that are not covered in the publication.



**Caution**

Means *reader be careful*. Cautions contain information about something you might do that could result in equipment damage or loss of data.

Safety warnings appear throughout this guide in procedures that, if performed incorrectly, can cause physical injuries. A warning symbol precedes each warning statement.



**Warning**

## IMPORTANT SAFETY INSTRUCTIONS

**This warning symbol means danger. You are in a situation that could cause bodily injury. Before you work on any equipment, be aware of the hazards involved with electrical circuitry and be familiar with standard practices for preventing accidents. Use the statement number provided at the end of each warning to locate its translation in the translated safety warnings that accompanied this device.** Statement 1071

## SAVE THESE INSTRUCTIONS

**Waarschuwing**

## BELANGRIJKE VEILIGHEIDSINSTRUCTIES

**Dit waarschuwingssymbool betekent gevaar. U verkeert in een situatie die lichamelijk letsel kan veroorzaken. Voordat u aan enige apparatuur gaat werken, dient u zich bewust te zijn van de bij elektrische schakelingen betrokken risico's en dient u op de hoogte te zijn van de standaard praktijken om ongelukken te voorkomen. Gebruik het nummer van de verklaring onderaan de waarschuwing als u een vertaling van de waarschuwing die bij het apparaat wordt geleverd, wilt raadplegen.**

## BEWAAR DEZE INSTRUCTIES

**Varoitus**

## TÄRKEITÄ TURVALLISUUSOHJEITA

**Tämä varoitusmerkki merkitsee vaaraa. Tilanne voi aiheuttaa ruumiillisia vammoja. Ennen kuin käsittelet laitteistoa, huomioi sähköpiirien käsittelemiseen liittyvät riskit ja tutustu onnettomuuksien yleisiin ehkäisytapoihin. Turvallisuusvaroitusten käännökset löytyvät laitteen mukana toimitettujen käännettyjen turvallisuusvaroitusten joukosta varoitusten lopussa näkyvien lausuntonumeroiden avulla.**

## SÄILYTÄ NÄMÄ OHJEET

**Attention    IMPORTANTES INFORMATIONS DE SÉCURITÉ**

Ce symbole d'avertissement indique un danger. Vous vous trouvez dans une situation pouvant entraîner des blessures ou des dommages corporels. Avant de travailler sur un équipement, soyez conscient des dangers liés aux circuits électriques et familiarisez-vous avec les procédures couramment utilisées pour éviter les accidents. Pour prendre connaissance des traductions des avertissements figurant dans les consignes de sécurité traduites qui accompagnent cet appareil, référez-vous au numéro de l'instruction situé à la fin de chaque avertissement.

**CONSERVEZ CES INFORMATIONS****Warnung    WICHTIGE SICHERHEITSHINWEISE**

Dieses Warnsymbol bedeutet Gefahr. Sie befinden sich in einer Situation, die zu Verletzungen führen kann. Machen Sie sich vor der Arbeit mit Geräten mit den Gefahren elektrischer Schaltungen und den üblichen Verfahren zur Vorbeugung vor Unfällen vertraut. Suchen Sie mit der am Ende jeder Warnung angegebenen Anweisungsnummer nach der jeweiligen Übersetzung in den übersetzten Sicherheitshinweisen, die zusammen mit diesem Gerät ausgeliefert wurden.

**BEWAHREN SIE DIESE HINWEISE GUT AUF.****Avvertenza    IMPORTANTI ISTRUZIONI SULLA SICUREZZA**

Questo simbolo di avvertenza indica un pericolo. La situazione potrebbe causare infortuni alle persone. Prima di intervenire su qualsiasi apparecchiatura, occorre essere al corrente dei pericoli relativi ai circuiti elettrici e conoscere le procedure standard per la prevenzione di incidenti. Utilizzare il numero di istruzione presente alla fine di ciascuna avvertenza per individuare le traduzioni delle avvertenze riportate in questo documento.

**CONSERVARE QUESTE ISTRUZIONI****Advarsel    VIKTIGE SIKKERHETSINSTRUKSJONER**

Dette advarselssymbolet betyr fare. Du er i en situasjon som kan føre til skade på person. Før du begynner å arbeide med noe av utstyret, må du være oppmerksom på farene forbundet med elektriske kretser, og kjenne til standardprosedyrer for å forhindre ulykker. Bruk nummeret i slutten av hver advarsel for å finne oversettelsen i de oversatte sikkerhetsadvarslene som fulgte med denne enheten.

**TA VARE PÅ DISSE INSTRUKSJONENE****Aviso    INSTRUÇÕES IMPORTANTES DE SEGURANÇA**

Este símbolo de aviso significa perigo. Você está em uma situação que poderá ser causadora de lesões corporais. Antes de iniciar a utilização de qualquer equipamento, tenha conhecimento dos perigos envolvidos no manuseio de circuitos elétricos e familiarize-se com as práticas habituais de prevenção de acidentes. Utilize o número da instrução fornecido ao final de cada aviso para localizar sua tradução nos avisos de segurança traduzidos que acompanham este dispositivo.

**GUARDE ESTAS INSTRUÇÕES**



**¡Advertencia! INSTRUCCIONES IMPORTANTES DE SEGURIDAD**

Este símbolo de aviso indica peligro. Existe riesgo para su integridad física. Antes de manipular cualquier equipo, considere los riesgos de la corriente eléctrica y familiarícese con los procedimientos estándar de prevención de accidentes. Al final de cada advertencia encontrará el número que le ayudará a encontrar el texto traducido en el apartado de traducciones que acompaña a este dispositivo.

**GUARDE ESTAS INSTRUCCIONES****Varning! VIKTIGA SÄKERHETSANVISNINGAR**

Denna varningssignal signalerar fara. Du befinner dig i en situation som kan leda till personskada. Innan du utför arbete på någon utrustning måste du vara medveten om farorna med elkretsar och känna till vanliga förfaranden för att förebygga olyckor. Använd det nummer som finns i slutet av varje varning för att hitta dess översättning i de översatta säkerhetsvarningar som medföljer denna anordning.

**SPARA DESSA ANVISNINGAR****FONTOS BIZTONSÁGI ELOÍRÁSOK**

Ez a figyelmeztető jel veszélyre utal. Sérülésveszélyt rejtő helyzetben van. Mielőtt bármely berendezésen munkát végezte, legyen figyelemmel az elektromos áramkörök okozta kockázatokra, és ismerkedjen meg a szokásos balesetvédelmi eljárásokkal. A kiadványban szereplő figyelmeztetések fordítása a készülékhez mellékelt biztonsági figyelmeztetések között található; a fordítás az egyes figyelmeztetések végén látható szám alapján kereshető meg.

**ORIZZE MEG EZEKET AZ UTASÍTÁSOKAT!****Предупреждение ВАЖНЫЕ ИНСТРУКЦИИ ПО СОБЛЮДЕНИЮ ТЕХНИКИ БЕЗОПАСНОСТИ**

Этот символ предупреждения обозначает опасность. То есть имеет место ситуация, в которой следует опасаться телесных повреждений. Перед эксплуатацией оборудования выясните, каким опасностям может подвергаться пользователь при использовании электрических цепей, и ознакомьтесь с правилами техники безопасности для предотвращения возможных несчастных случаев. Воспользуйтесь номером заявления, приведенным в конце каждого предупреждения, чтобы найти его переведенный вариант в переводе предупреждений по безопасности, прилагаемом к данному устройству.

**СОХРАНИТЕ ЭТИ ИНСТРУКЦИИ****警告 重要的安全性说明**

此警告符号代表危险。您正处于可能受到严重伤害的工作环境中。在您使用设备开始工作之前，必须充分意识到触电的危险，并熟练掌握防止事故发生的标准工作程序。请根据每项警告结尾提供的声明号码来找到此设备的安全性警告说明的翻译文本。

请保存这些安全性说明

的标准工作程序。 安全上の重要な注意事項

「危険」の意味です。人身事故を予防するための注意事項が記述されています。装置の取り扱い作業を行うときは、電気回路の危険性に注意し、一般的な事故防止策に留意してください。警告の各国語版は、各注意事項の番号を基に、装置に付属の「Translated Safety Warnings」を参照してください。

これらの注意事項を保管しておいてください。

주의 중요 안전 지침

이 경고 기호는 위험을 나타냅니다. 작업자가 신체 부상을 일으킬 수 있는 위험한 환경에 있습니다. 장비에 작업을 수행하기 전에 전기 회로와 관련된 위험을 숙지하고 표준 작업 관례를 숙지하여 사고를 방지하십시오. 각 경고의 마지막 부분에 있는 경고문 번호를 참조하여 이 장치와 함께 제공되는 번역된 안전 경고문에서 해당 번역문을 찾으십시오.

이 지시 사항을 보관하십시오.

**Aviso INSTRUÇÕES IMPORTANTES DE SEGURANÇA**

**Este símbolo de aviso significa perigo. Você se encontra em uma situação em que há risco de lesões corporais. Antes de trabalhar com qualquer equipamento, esteja ciente dos riscos que envolvem os circuitos elétricos e familiarize-se com as práticas padrão de prevenção de acidentes. Use o número da declaração fornecido ao final de cada aviso para localizar sua tradução nos avisos de segurança traduzidos que acompanham o dispositivo.**

**GUARDE ESTAS INSTRUÇÕES**

**Advarsel VIGTIGE SIKKERHEDSANVISNINGER**

**Dette advarselssymbol betyder fare. Du befinder dig i en situation med risiko for legemeskade. Før du begynder arbejde på udstyr, skal du være opmærksom på de involverede risici, der er ved elektriske kredsløb, og du skal sætte dig ind i standardprocedurer til undgåelse af ulykker. Brug erklæringsnummeret efter hver advarsel for at finde oversættelsen i de oversatte advarsler, der fulgte med denne enhed.**

**GEM DISSE ANVISNINGER**

تحذير

إرشادات الأمان الهامة  
يوضح رمز التحذير هذا وجود خطر. وهذا يعني أنك متواجد في مكان قد ينتج عنه التعرض لإصابات. قبل بدء العمل، احذر مخاطر التعرض للصدمات الكهربائية وكن على علم بالإجراءات القياسية للحيلولة دون وقوع أي حوادث. استخدم رقم البيان الموجود في آخر كل تحذير لتحديد مكان ترجمته داخل تحذيرات الأمان المترجمة التي تأتي مع الجهاز. قم بحفظ هذه الإرشادات

**Upozorenje VAŽNE SIGURNOSNE NAPOMENE**

Ovaj simbol upozorenja predstavlja opasnost. Nalazite se u situaciji koja može prouzročiti tjelesne ozljede. Prije rada s bilo kojim uređajem, morate razumjeti opasnosti vezane uz električne sklopove, te biti upoznati sa standardnim načinima izbjegavanja nesreća. U prevedenim sigurnosnim upozorenjima, priloženima uz uređaj, možete prema broju koji se nalazi uz pojedino upozorenje pronaći i njegov prijevod.

**SAČUVAJTE OVE UPUTE****Upozornění DŮLEŽITÉ BEZPEČNOSTNÍ POKYNY**

Tento upozorňující symbol označuje nebezpečí. Jste v situaci, která by mohla způsobit nebezpečí úrazu. Před prací na jakémkoliv vybavení si uvědomte nebezpečí související s elektrickými obvody a seznamte se se standardními opatřeními pro předcházení úrazům. Podle čísla na konci každého upozornění vyhledejte jeho překlad v přeložených bezpečnostních upozorněních, která jsou přiložena k zařízení.

**USCHOVEJTE TYTO POKYNY****Προειδοποίηση ΣΗΜΑΝΤΙΚΕΣ ΟΔΗΓΙΕΣ ΑΣΦΑΛΕΙΑΣ**

Αυτό το προειδοποιητικό σύμβολο σημαίνει κίνδυνο. Βρίσκεστε σε κατάσταση που μπορεί να προκαλέσει τραυματισμό. Πριν εργαστείτε σε οποιοδήποτε εξοπλισμό, να έχετε υπόψη σας τους κινδύνους που σχετίζονται με τα ηλεκτρικά κυκλώματα και να έχετε εξοικειωθεί με τις συνήθεις πρακτικές για την αποφυγή ατυχημάτων. Χρησιμοποιήστε τον αριθμό δήλωσης που παρέχεται στο τέλος κάθε προειδοποίησης, για να εντοπίσετε τη μετάφρασή της στις μεταφρασμένες προειδοποιήσεις ασφαλείας που συνοδεύουν τη συσκευή.

**ΦΥΛΑΞΤΕ ΑΥΤΕΣ ΤΙΣ ΟΔΗΓΙΕΣ****אזהרה****הוראות בטיחות חשובות**

סימן אזהרה זה מסמל סכנה. אתה נמצא במצב העלול לגרום לפציעה. לפני שתעבוד עם ציוד כלשהו, עליך להיות מודע לסכנות הכרוכות במעגלים חשמליים ולהכיר את הנהלים המקובלים למניעת תאונות. השתמש במספר ההוראה המסופק בסופה של כל אזהרה כדי לאתר את התרגום באזהרות הבטיחות המתורגמות שמצורפות להתקן.

**שמור הוראות אלה****Opomena VAŽNI BEZBEDNOSNI NAPATCTVIJA**

Симболот за предупредување значи опасност. Се наоѓате во ситуација што може да предизвика телесни повреди. Пред да работите со опремата, бидете свесни за ризикот што постои кај електричните кола и треба да ги познавате стандардните постапки за спречување на несреќни случаи. Искористете го бројот на изјавата што се наоѓа на крајот на секое предупредување за да го најдете неговиот период во prevedените безбедносни предупредувања што се испорачани со уредот.

**ЧУВАЈТЕ ГИ ОБИЕ НАПАТCTBIJA**

**Ostrzeżenie WAŻNE INSTRUKCJE DOTYCZĄCE BEZPIECZEŃSTWA**

Ten symbol ostrzeżenia oznacza niebezpieczeństwo. Zachodzi sytuacja, która może powodować obrażenia ciała. Przed przystąpieniem do prac przy urządzeniach należy zapoznać się z zagrożeniami związanymi z układami elektrycznymi oraz ze standardowymi środkami zapobiegania wypadkom. Na końcu każdego ostrzeżenia podano numer, na podstawie którego można odszukać tłumaczenie tego ostrzeżenia w dołączonym do urządzenia dokumencie z tłumaczeniami ostrzeżeń.

**NINIEJSZE INSTRUKCJE NALEŻY ZACHOWAĆ****Upozornenie DÔLEŽITÉ BEZPEČNOSTNÉ POKYNY**

Tento varovný symbol označuje nebezpečenstvo. Nachádzate sa v situácii s nebezpečenstvom úrazu. Pred prácou na akomkoľvek vybavení si uvedomte nebezpečenstvo súvisiace s elektrickými obvodmi a oboznámte sa so štandardnými opatreniami na predchádzanie úrazom. Podľa čísla na konci každého upozornenia vyhľadajte jeho preklad v preložených bezpečnostných upozorneniach, ktoré sú priložené k zariadeniu.

**USCHOVAJTE SI TENTO NÁVOD****警告****重要安全性指示**

此警告符號代表危險，表示可能造成人身傷害。使用任何設備前，請留心電路相關危險，並熟悉避免意外的標準作法。您可以使用每項警告後的聲明編號，查詢本裝置隨附之安全性警告譯文中的翻譯。請妥善保留此指示

## Where to Find Safety and Warning Information

For safety and warning information, see the [Regulatory Compliance and Safety Information for Cisco Content Security Appliances](#) and the [Safety and Compliance Guide for Cisco IronPort Appliances](#).

These documents describe the international agency compliance and safety information for the Cisco 380 and Cisco 680 series. They also include translations of the safety warnings used in this guide.

## Related Documentation

For additional documentation on the Cisco 380 and Cisco 680 series appliances, see the following:

- Cisco C380 and Cisco C680 Email Security Appliance:  
[http://www.cisco.com/en/US/products/ps10154/prod\\_installation\\_guides\\_list.html](http://www.cisco.com/en/US/products/ps10154/prod_installation_guides_list.html)
- Cisco M380 and Cisco M680 Content Security Management Appliance:  
[http://www.cisco.com/en/US/products/ps10155/prod\\_installation\\_guides\\_list.html](http://www.cisco.com/en/US/products/ps10155/prod_installation_guides_list.html)
- Cisco S380 and Cisco S680 Web Security Appliance:  
[http://www.cisco.com/en/US/products/ps10164/prod\\_installation\\_guides\\_list.html](http://www.cisco.com/en/US/products/ps10164/prod_installation_guides_list.html)

## Contacting Service and Support

You can contact support using one of the following methods:

Cisco IronPort Support: [http://www.cisco.com/en/US/products/ps11169/serv\\_group\\_home.html](http://www.cisco.com/en/US/products/ps11169/serv_group_home.html)

U.S. Toll-Free Number: 1-800-553-2447 or 1-408-526-7209

International Contacts: [http://www.cisco.com/en/US/support/tsd\\_cisco\\_worldwide\\_contacts.html](http://www.cisco.com/en/US/support/tsd_cisco_worldwide_contacts.html)

## Obtaining Documentation and Submitting a Service Request

For information on obtaining documentation, submitting a service request, and gathering additional information, see the monthly *What's New in Cisco Product Documentation*, which also lists all new and revised Cisco technical documentation, at:

<http://www.cisco.com/en/US/docs/general/whatsnew/whatsnew.html>

Subscribe to the *What's New in Cisco Product Documentation* as a Really Simple Syndication (RSS) feed and set content to be delivered directly to your desktop using a reader application. The RSS feeds are a free service and Cisco currently supports RSS Version 2.0.





# Overview

---

**Revised: August 30, 2020**  
**Part Number: OL-29172-01**

This chapter provides an overview of the Cisco 380 and Cisco 680 series appliance features.

- [Cisco 380 and Cisco 680 Series Overview, page 1-1](#)
- [External Features, page 1-2](#)
- [PCI NIC Slot Configurations, page 1-4](#)
- [Status LEDs and Buttons, page 1-7](#)

## Cisco 380 and Cisco 680 Series Overview

The Cisco 380 and Cisco 680 series is a family of next-generation 2U Content Security appliances capable of providing the following features and functionality for small businesses, branch offices, and organizations:

- Simplified and automated email security
- Web traffic and application visibility and control
- Flexible, comprehensive security control and management

## Cisco C380 and Cisco C680 Email Security Appliance

Cisco C380 and Cisco C680 Email Security Appliance (Cisco C380 and C680) automatically stops spam, viruses, and other anomalies. It prevents and responds to multilevel threats and includes capabilities such as: spam and virus defense, policy enforcement, email authentication, and centralized and built-in GUI management tools. For information about Cisco C380 and C680, see:

[http://www.cisco.com/en/US/products/ps10154/prod\\_installation\\_guides\\_list.html](http://www.cisco.com/en/US/products/ps10154/prod_installation_guides_list.html)

## Cisco M380 and M680 Content Security Management Appliance

Cisco M380 and M680 Content Security Management Appliance (Cisco M380 and M680) is a central platform for managing all policy, integrated reporting on traffic data, and email auditing information for the Cisco 380 and Cisco 680 Series appliances. For information about Cisco M380 and M680, see:

[http://www.cisco.com/en/US/products/ps10155/prod\\_installation\\_guides\\_list.html](http://www.cisco.com/en/US/products/ps10155/prod_installation_guides_list.html)

## Cisco S380 and S680 Web Security Appliance

Cisco S380 and S680 Web Security Appliance (Cisco S380 and S680) is a secure web gateway that combines advanced malware protection, appliance visibility and control (AVC), acceptable user policy controls, insightful reporting, and secure mobility on a single platform. It is a single platform for administrators to set security policy, control applications on a granular level, and get visibility into web traffic trends at organizations and for remote and mobile users. For information about Cisco S380 and S680, see:

[http://www.cisco.com/en/US/products/ps10164/prod\\_installation\\_guides\\_list.html](http://www.cisco.com/en/US/products/ps10164/prod_installation_guides_list.html)

## External Features

The figures in this chapter show an overview of external appliance features. The Cisco 380 and Cisco 680 series appliance uses small form-factor (SFF) drives in a 24-drive backplane and expander.

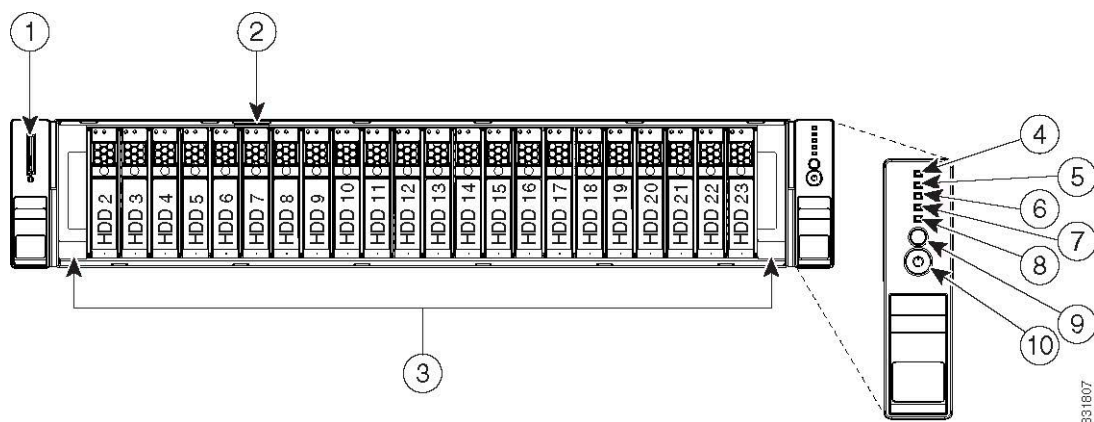


### Note

Although the following figure shows drive slots 2 through 23 available, only certain drive slots can be populated for each model. None of the models support more than eight hard drives. Because each model supports a different maximum number of hard drives, see the “[Hardware and Technical Specifications](#)” section on page A-2 for the number of hard drives supported by each specific model.

Figure 1-1 shows the front panel features of the appliance.

**Figure 1-1 Cisco 380 and Cisco 680 Series Appliance Front Panel Features**

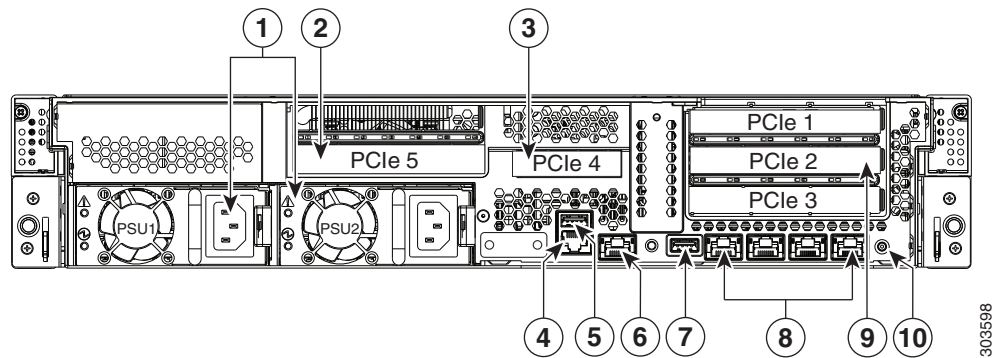




1	Pull-out asset tag. Shows the system serial number.	6	Fan status LED
2	Drives, hot-swappable	7	System status LED
3	Network link activity LED	8	Identification button/LED (For more information, see <a href="#">“Replacing Hard Drives” section on page 3-3.</a> )
4	Power supply status LED	9	Power button/power status LED
5	Temperature status LED	—	—

Figure 1-2 shows the rear panel features of the appliance (identical for all versions of the appliance).

**Figure 1-2 Cisco 380 and Cisco 680 Series Appliance Rear Panel Features**



1	Power supplies (two)	6	Remote Power Management port
2	PCIe slot on riser 2: PCIe 5—full-height, 3/4-length, x16 lane)	7	USB 2.0 port
3	PCIe slot on riser 2: PCIe 4—half-height, 3/4-length, x8 lane)	8	Quad 1-Gb Ethernet ports
4	Console port (RJ-45 connector)	9	PCIe slots on riser 1: PCIe 1—full-height, half-length, x8 lane PCIe 2—full-height, half-length, x16 lane PCIe 3—full-height, half-length, x8 lane
5	USB 2.0 port	10	Rear Identification button/LED (For more information, see <a href="#">“Replacing Hard Drives” section on page 3-3.</a> )

# PCI NIC Slot Configurations

The following sections show the different PCI network interface card (NIC) installations and configurations.

## Cisco C380 and Cisco C680 Email Security Appliance NIC Options


**Note**

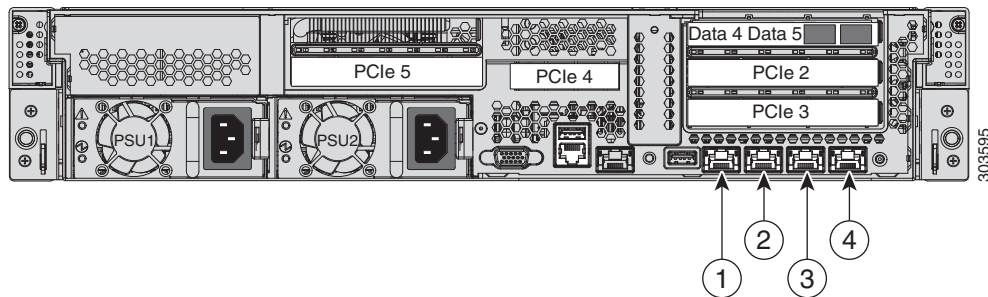
The Cisco C380 Email Security Appliance does not have NIC options.

The Cisco C680 has three configuration options:

- No NIC installed
- 1 GB dual port fiber NIC (quantity of 1)
- 10 GB dual port fiber NIC (quantity of 1)

For the Cisco C680, the NIC card is always installed into PCE slot 1 and labeled as “Data 4 Data 5.” See [Figure 1-3](#).

**Figure 1-3** Cisco C680 NIC Installed in PCI Slot 1



Item	Port	Description
1	Management interface	Indicates the Gigabit Ethernet interface that is restricted to management use only. Connect with a RJ-45 cable.
2	Data 1	Indicates the Gigabit Ethernet customer data interface Data 1.
3	Data 2	Indicates the Gigabit Ethernet customer data interface Data 2.
4	Data 3	Indicates the Gigabit Ethernet customer data interface Data 3.

## Cisco M380 and M680 Content Security Management Appliance NIC Options


**Note**

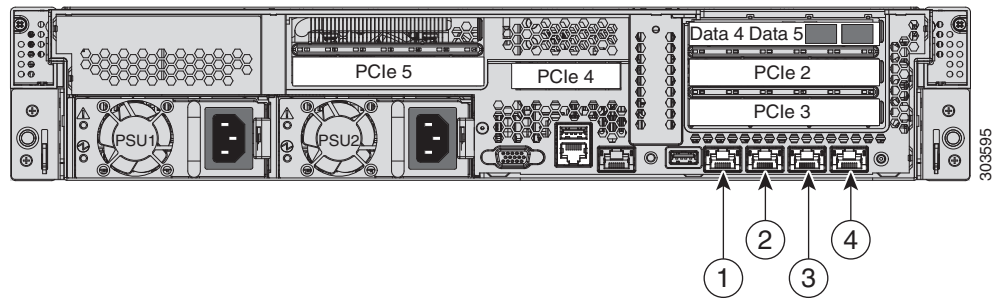
The Cisco M380 Content Security management appliance does not have NIC options.

The Cisco M680 has three configuration options:

- No NIC installed
- 1 GB dual port fiber NIC (quantity of 1)
- 10 GB dual port fiber NIC (quantity of 1)

For the Cisco M680, the NIC card is always installed into PCE slot 1 and labeled as “Data 4 Data 5.” See [Figure 1-3](#).

**Figure 1-4 Cisco M680 NIC Installed in PCI Slot 1**

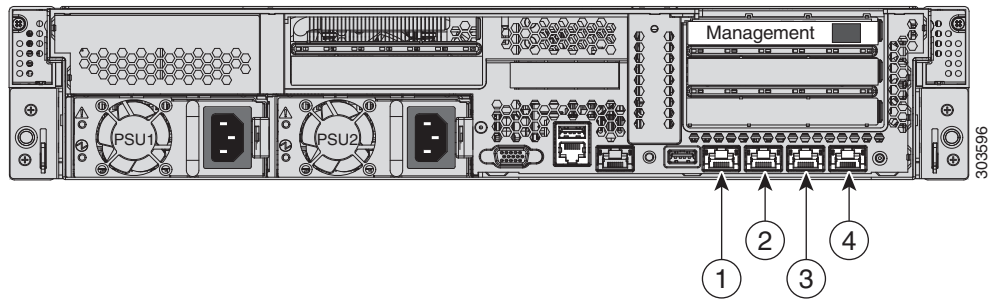


Item	Port	Description
1	Management interface	Indicates the Gigabit Ethernet interface that is restricted to management use only. Connect with a RJ-45 cable.
2	Data 1	Indicates the Gigabit Ethernet customer data interface Data 1.
3	Data 2	Indicates the Gigabit Ethernet customer data interface Data 2.
4	Data 3	Indicates the Gigabit Ethernet customer data interface Data 3.

## Cisco S380 and S680 Web Security Appliance NIC Options

The Cisco S380 has one 1 GB single port copper NIC via auto-expansion installed in PCI slot 1 and labeled as “Management.” See [Figure 1-5](#).

**Figure 1-5 Cisco S380 NIC Installed in PCI Slot 1**

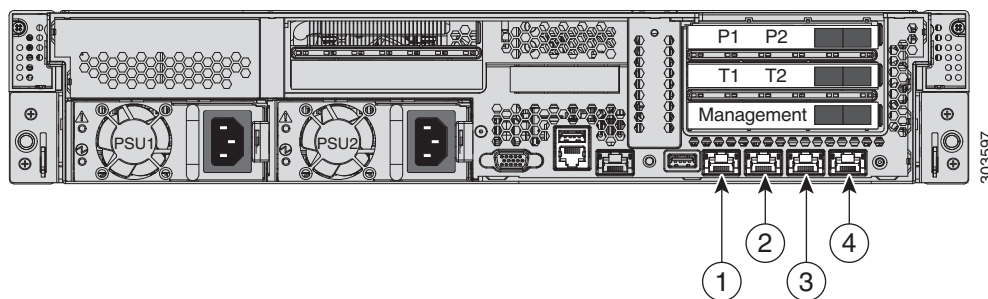


Item	Port	Description
1	P1	Indicates proxy port. Connect P1 to the network for both incoming and outgoing traffic.
2	P2	Indicates proxy port. When both P1 and P2 are enabled, you must connect P1 to the internal network and P2 to the Internet. P1 and P2 can connect to L4 switch, WCCP router, or network switch.
3	T1	Indicates traffic monitor port T1 for Duplex Ethernet tap: One cable for all incoming and outgoing traffic.
4	T2	Indicates traffic monitor port. Simplex Ethernet tap: Ports T1 and T2. One cable for all packets destined for the internet (T1), and one cable for all packets coming from the Internet (T2).

The Cisco S680 has three configuration options:

- 1 GB dual port fiber NIC (quantity of 3)
- 10 GB dual port fiber NIC (quantity of 3)
- If neither of the above apply, the 1 GB single port copper NIC via auto-expansion is installed in PCI slot 1 and labeled as “Management”

**Figure 1-6 Cisco S680 NIC Installation Options**



Item	Port	Description
1	P1	Indicates proxy port. Connect P1 to the network for both incoming and outgoing traffic.
2	P2	Indicates proxy port. When both P1 and P2 are enabled, you must connect P1 to the internal network and P2 to the Internet. P1 and P2 can connect to L4 switch, WCCP router, or network switch.
3	T1	Indicates traffic monitor port T1 for Duplex Ethernet tap: One cable for all incoming and outgoing traffic.
4	T2	Indicates traffic monitor port. Simplex Ethernet tap: Ports T1 and T2. One cable for all packets destined for the internet (T1), and one cable for all packets coming from the Internet (T2).

## Status LEDs and Buttons

This section describes the location and meaning of LEDs and buttons and includes the following topics

- [Front Panel LEDs, page 1-7](#)
- [Rear Panel LEDs and Buttons, page 1-10](#)

### Front Panel LEDs

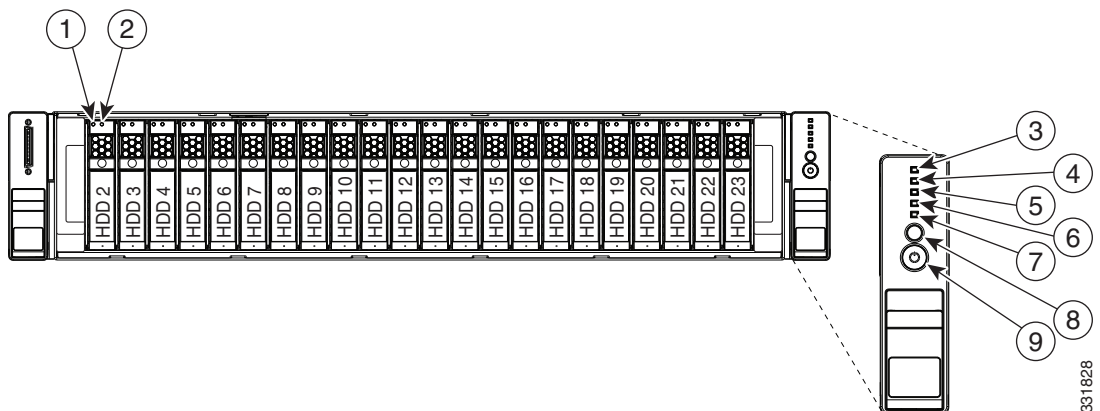
Figure 1-7 shows the front panel LEDs. Table 1-1 defines the LED states.



#### Note

Although the following figure shows drive slots 2 through 23 available, only certain drive slots can be populated for each model. None of the models support more than eight hard drives. Because each model supports a different maximum number of hard drives, see the [“Hardware and Technical Specifications” section on page A-2](#) for the number of hard drives supported by each specific model.

**Figure 1-7** Front Panel LEDs



1	Hard drive fault LED	6	Fan status LED
2	Hard drive activity LED	7	System status LED
3	Network link activity LED	8	Identification button/LED (For more information, see <a href="#">“Replacing Hard Drives” section on page 3-3.</a> )
4	Power supply status LED	9	Power button/power status LED
5	Temperature status LED	—	—

**Table 1-1 Front Panel LEDs, Definitions of States**

LED Name	State
Hard drive fault	<ul style="list-style-type: none"> <li>• Off—The hard drive is operating properly.</li> <li>• Amber—This hard drive has failed.</li> <li>• Amber, blinking—The device is rebuilding.</li> </ul>
Hard drive activity	<ul style="list-style-type: none"> <li>• Off—There is no hard drive in the hard drive sled (no access, no fault).</li> <li>• Green—The hard drive is ready.</li> <li>• Green, blinking—The hard drive is reading or writing data.</li> </ul>
Network link activity	<ul style="list-style-type: none"> <li>• Off—The Ethernet link is idle.</li> <li>• Green—One or more Ethernet ports are link-active, but there is no activity.</li> <li>• Green, blinking—One or more Ethernet ports are link-active, with activity.</li> </ul>
Power supply status	<ul style="list-style-type: none"> <li>• Green—All power supplies are operating normally.</li> <li>• Amber, steady—One or more power supplies are in a degraded operational state.</li> <li>• Amber, blinking—One or more power supplies are in a critical fault state.</li> </ul>
Temperature status	<ul style="list-style-type: none"> <li>• Green—The appliance is operating at normal temperature.</li> <li>• Amber, steady—One or more temperature sensors have exceeded a warning threshold.</li> <li>• Amber, blinking—One or more temperature sensors have exceeded a critical threshold.</li> </ul>
Fan status	<ul style="list-style-type: none"> <li>• Green—All fan modules are operating properly.</li> <li>• Amber, steady—One fan module has failed.</li> <li>• Amber, blinking—Critical fault, two or more fan modules have failed.</li> </ul>

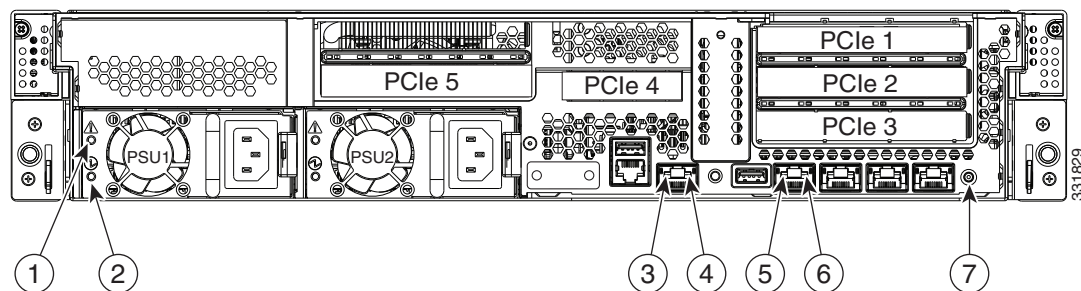
**Table 1-1** *Front Panel LEDs, Definitions of States (continued)*

LED Name	State
System status	<ul style="list-style-type: none"> <li>• Green—The appliance is running in normal operating condition.</li> <li>• Green, blinking—The appliance is performing system initialization and memory check.</li> <li>• Amber, steady—The appliance is in a degraded operational state. For example:               <ul style="list-style-type: none"> <li>– Power supply redundancy is lost.</li> <li>– CPUs are mismatched.</li> <li>– At least one CPU is faulty.</li> <li>– At least one DIMM is faulty.</li> <li>– At least one drive in a RAID configuration failed.</li> </ul> </li> <li>• Amber, blinking—The appliance is in a critical fault state. For example:               <ul style="list-style-type: none"> <li>– Boot failed.</li> <li>– Fatal CPU and/or bus error is detected.</li> <li>– Appliance is in over-temperature condition.</li> </ul> </li> </ul>
Identification	<ul style="list-style-type: none"> <li>• Off—The Identification LED is not in use.</li> <li>• Blue—The Identification LED is activated. (For more information, see <a href="#">“Replacing Hard Drives”</a> section on page 3-3.)</li> </ul>
Power button/Power status LED	<ul style="list-style-type: none"> <li>• Off—There is no AC power to the appliance.</li> <li>• Amber—The appliance is in standby power mode.</li> <li>• Green—The appliance is in main power mode. Power is supplied to all appliance components.</li> </ul>

## Rear Panel LEDs and Buttons

Figure 1-8 shows the rear panel LEDs and buttons. Table 1-2 defines the LED states.

**Figure 1-8** Rear Panel LEDs and Buttons



<b>1</b>	Power supply fault LED	<b>5</b>	1-Gb Ethernet link speed LED
<b>2</b>	Power supply AC OK LED	<b>6</b>	1-Gb Ethernet link status LED
<b>3</b>	1-Gb Ethernet dedicated console link status LED	<b>7</b>	Identification button/LED (For more information, see <a href="#">“Replacing Hard Drives” section on page 3-3.</a> )
<b>4</b>	1-Gb Ethernet dedicated console link speed LED		—

**Table 1-2** Rear Panel LEDs, Definitions of States

LED Name	State
Power supply fault	<ul style="list-style-type: none"> <li>Off—The power supply is operating normally.</li> <li>Amber, blinking—An event warning threshold has been reached, but the power supply continues to operate.</li> <li>Amber, solid—A critical fault threshold has been reached, causing the power supply to shut down (for example, a fan failure or an over-temperature condition).</li> </ul>
Power supply AC OK	<ul style="list-style-type: none"> <li>Off—There is no AC power to the power supply.</li> <li>Green, blinking—AC power OK, DC output not enabled.</li> <li>Green, solid—AC power OK, DC outputs OK.</li> </ul>
1-Gb Ethernet dedicated management link speed	<ul style="list-style-type: none"> <li>Off—link speed is 10 Mbps.</li> <li>Amber—link speed is 100 Mbps.</li> <li>Green—link speed is 1 Gbps.</li> </ul>
1-Gb Ethernet dedicated management link status	<ul style="list-style-type: none"> <li>Off—No link is present.</li> <li>Green—Link is active.</li> <li>Green, blinking—Traffic is present on the active link.</li> </ul>



**Table 1-2**      **Rear Panel LEDs, Definitions of States (continued)**

<b>LED Name</b>	<b>State</b>
1-Gb Ethernet link speed	<ul style="list-style-type: none"><li>• Off—link speed is 10 Mbps.</li><li>• Amber—link speed is 100 Mbps.</li><li>• Green—link speed is 1 Gbps.</li></ul>
1-Gb Ethernet link status	<ul style="list-style-type: none"><li>• Off—No link is present.</li><li>• Green—Link is active.</li><li>• Green, blinking—Traffic is present on the active link.</li></ul>
Identification	<ul style="list-style-type: none"><li>• Off—The Identification LED is not in use.</li><li>• Blue—The Identification LED is activated. (For more information, see <a href="#">“Replacing Hard Drives”</a> section on page 3-3.)</li></ul>





# Installing the Appliance

---

**Revised: October 2, 2013**  
**Part Number: OL-29172-01**

This chapter describes how to install the appliance and includes the following sections:

- [Installation Overview, page 2-2](#)
- [Unpacking and Inspecting the Appliance, page 2-2](#)
- [Preparing for Appliance Installation, page 2-3](#)
- [Installing the Appliance in a Rack, page 2-5](#)



**Note**

---

Before you install, operate, or service a appliance, review the [Regulatory Compliance and Safety Information for Cisco Content Security Appliances](#) and the [Safety and Compliance Guide for Cisco IronPort Appliances](#) for important safety information.

---



**Warning**

---

## IMPORTANT SAFETY INSTRUCTIONS

**This warning symbol means danger. You are in a situation that could cause bodily injury. Before you work on any equipment, be aware of the hazards involved with electrical circuitry and be familiar with standard practices for preventing accidents. Use the statement number provided at the end of each warning to locate its translation in the translated safety warnings that accompanied this device.**  
Statement 1071

---

# Installation Overview

To prepare for the installation of the Cisco 380 and Cisco 680 series appliance, perform the following steps:

Step	Do This	More Information
Step 1	Review the safety precautions outlined in the Safety and Compliance Guide.	<a href="http://www.cisco.com/en/US/docs/unified_computing/ucs/c/regulatory/compliance/cseries_regulatory_compliance_information.html">http://www.cisco.com/en/US/docs/unified_computing/ucs/c/regulatory/compliance/cseries_regulatory_compliance_information.html</a>
Step 2	Read the appropriate Cisco AsyncOS release notes for the Cisco 380 and Cisco 680 series appliance(s).	For the <a href="#">Cisco ESA</a> , <a href="#">Cisco SMA</a> , and <a href="#">Cisco WSA</a>
Step 3	Unpack the appliance.	<a href="#">Unpacking and Inspecting the Appliance, page 2-2.</a>
Step 4	Place the appliance on a stable work surface.	--
Step 5	View installation guidelines, rack requirements, and equipment requirements.	<a href="#">Preparing for Appliance Installation, page 2-3.</a>
Step 6	Mount the appliance with the provided slide rails.	<a href="#">Installing the Appliance in a Rack, page 2-5.</a>
Step 7	Establish network connectivity.	<a href="#">Connecting the Interface Cables and Verifying Connectivity, page 2-7.</a>
Step 8	For additional information on pre-installation and post-installation tasks, review the hardware Quick Start Guides.	<a href="http://www.cisco.com/c/en/us/support/security/email-security-appliance/products-installation-guides-list.html">http://www.cisco.com/c/en/us/support/security/email-security-appliance/products-installation-guides-list.html</a>

## Unpacking and Inspecting the Appliance



### Caution

Do NOT open the appliance. Doing so violates your support agreement. The appliance does not contain any serviceable components.



### Tip

Keep the shipping container in case the appliance requires shipping in the future.



### Note

The chassis is thoroughly inspected before shipment. If any damage occurred during transportation or any items are missing, contact your customer service representative immediately.

To inspect the shipment, follow these steps:

- Step 1** Remove the appliance from its cardboard container and save all packaging material.
- Step 2** Compare the shipment to the equipment list provided by your customer service representative. Verify that you have all items.

**Step 3** Check for damage and report any discrepancies or damage to your customer service representative. Have the following information ready:

- Invoice number of shipper (see the packing slip)
- Model and serial number of the damaged unit
- Description of damage
- Effect of damage on the installation

The shipping box contents include:

- Appliance
- Slide rail kit
- Power cables (2)
- Ethernet cable for connecting the appliance to your network
- RJ-45 to DB-9 cable for connecting a computer to the console port
- Quick Start Guide
- Regulatory Safety and Compliance Information



**Note**

Two locking keys are included with the locking faceplate version of the Cisco 680 series appliance.

## Preparing for Appliance Installation

This section provides information about preparing for appliance installation, and it includes the following topics:

- [Installation Guidelines, page 2-3](#)
- [Rack Requirements, page 2-4](#)
- [Equipment Requirements, page 2-5](#)
- [Slide Rail Adjustment Range, page 2-5](#)

## Installation Guidelines



**Warning**

**To prevent the system from overheating, do not operate it in an area that exceeds the maximum recommended ambient temperature of: 35° C (95° F).**

Statement 1047



**Warning**

**The plug-socket combination must be accessible at all times, because it serves as the main disconnecting device.**

Statement 1019

**Warning**

**Before performing any of the following procedures, ensure that power is removed from the DC circuit.**

Statement 1003

**Warning**

**This product requires short-circuit (overcurrent) protection to be provided as part of the building installation. Install only in accordance with national and local wiring regulations.**

Statement 1045

**Warning**

**This product relies on the building's installation for short-circuit (overcurrent) protection. Ensure that the protective device is rated not greater than: 250 V, 15 A.**

Statement 1005

**Warning**

**Installation of the equipment must comply with local and national electrical codes.**

Statement 1074

**Caution**

Do not block the air vents on the top of the appliance's cover. Do not stack another appliance directly on top of the appliance. Doing so blocks the proper airflow, which could result in overheating, higher fan speeds, and higher power consumption.

**Caution**

Avoid UPS types that use ferro resonant technology. These UPS types can become unstable with systems such as the Cisco 380 and Cisco 680 series appliance, which can have substantial current draw fluctuations from fluctuating data traffic patterns.

When you are installing a appliance, use the following guidelines:

- Plan your site configuration and prepare the site before installing the appliance.
- Ensure that there is adequate space around the appliance to allow for servicing the appliance and for adequate airflow. The airflow in this appliance is from front to back.
- Ensure that the air-conditioning meets the thermal requirements listed in [Appliance Specifications](#).
- Ensure that the cabinet or rack meets the requirements listed in the [“Rack Requirements” section on page 2-4](#).
- Ensure that the site power meets the power requirements listed in the [Appliance Specifications](#). If available, you can use an uninterruptible power supply (UPS) to protect against power failures.

## Rack Requirements

This section provides the requirements for the standard open racks.

The rack must be of the following type:

- A standard 19-in. (48.3-cm) wide, four-post EIA rack, with mounting posts that conform to English universal hole spacing, per section 1 of ANSI/EIA-310-D-1992.

- The rack post holes can be square 0.38-inch (9.6 mm), round 0.28-inch (7.1 mm), #12-24 UNC, or #10-32 UNC when you use the supplied slide rails.
- The minimum vertical rack space per appliance must be two RUs, equal to 3.5 in. (88.9 mm).

## Equipment Requirements

The slide rails supplied by Cisco Systems for this appliance do not require tools for installation if you install them in a rack that has square 0.38-inch (9.6 mm), round 0.28-inch (7.1 mm), or #12-24 UNC threaded holes. The inner rails are pre-attached to the sides of the appliance.

However, if you install the slide rails in a rack that has #10-32 round holes, a bladed screwdriver is required to remove the larger square/round mounting pegs from the *front* of the slide rails.

## Slide Rail Adjustment Range

The slide rails for this appliance have an adjustment range of 26 to 36 inches (660 to 914 mm).

## Installing the Appliance in a Rack

This section describes how to install the appliance in a rack.



Warning

**To prevent bodily injury when mounting or servicing this unit in a rack, you must take special precautions to ensure that the system remains stable. The following guidelines are provided to ensure your safety:**

**This unit should be mounted at the bottom of the rack if it is the only unit in the rack.**

**When mounting this unit in a partially filled rack, load the rack from the bottom to the top with the heaviest component at the bottom of the rack.**

**If the rack is provided with stabilizing devices, install the stabilizers before mounting or servicing the unit in the rack.**  
Statement 1006

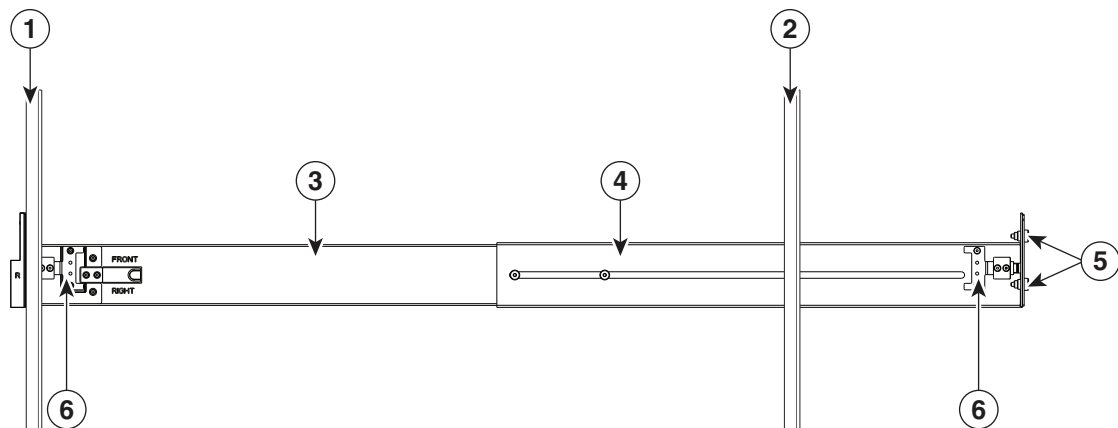
To install the slide rails and the appliance into a rack, follow these steps:

### Step 1

Install the slide rails into the rack (see [Figure 2-1](#)):

- a. Align the slide-rail assembly inside the rack posts with the length-adjustment bracket ([Figure 2-1](#), item 4) toward the rear of the rack.
- b. Compress the length-adjustment bracket until the mounting pegs (item 5) and locking clips (item 6) engage the desired rack holes on the front and rear rack posts.
  - The mounting pegs fit square 0.38-inch (9.6 mm), round 0.28-inch (7.1 mm), or #12-24 UNC threaded holes. They fit the shape of the hole when the pegs are compressed.
  - The smaller #10-32 round mounting pegs are enclosed in the center of the compressible *rear* pegs. However, to use the #10-32 pegs, you must use a bladed screwdriver to remove the square/round *front* pegs.

**Figure 2-1 Attaching a Slide-Rail Assembly**



330499

1	Front-right rack post	4	Length-adjustment bracket
2	Rear-right rack post	5	Mounting pegs (two on each end of assembly)
3	Slide-rail assembly	6	Locking clips (one on each end of assembly)

- c. Attach the second slide-rail assembly to the opposite side of the rack. Ensure that the two slide-rail assemblies are level and at the same height with each other.
- d. Pull the inner slide rails on each assembly out toward the rack front until they hit the internal stops and lock in place.

**Step 2** Insert the appliance into the slide rails (see [Figure 2-2](#)):



**Caution**

This appliance weighs approximately 60 pounds (28 kilograms) when fully loaded with components. We recommend that you use a minimum of two people when lifting the appliance. Attempting this procedure alone could result in personal injury or equipment damage.

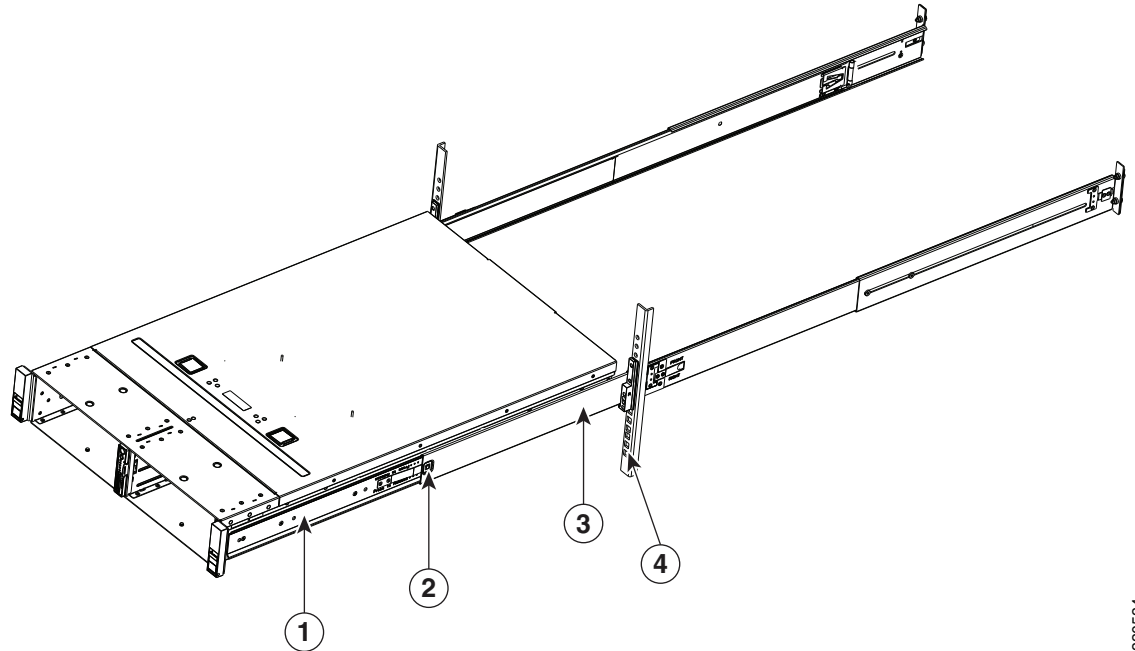


**Note**

The inner rails are pre-attached to the sides of the appliance at the factory. You can order replacement inner rails if these are damaged or lost (Cisco PID CCS-RAIL=).

- a. Align the inner rails that are attached to the appliance sides with the front ends of the empty slide rails.
- b. Push the appliance into the slide rails until it stops at the internal stops.
- c. Push in the slide rail locking clip (item 2) on each inner rail, and then continue pushing the appliance into the rack until its front flanges latch onto the rack posts.



**Figure 2-2** Inserting the Appliance Into the Slide Rails

330534

1	Inner rail on appliance	3	Slide rail assembly on rack post
2	Slide rail locking clip	4	Right-front rack post

## Connecting the Interface Cables and Verifying Connectivity

This section describes how to connect the cables to the console and anagement ports.



### Warning

**Only trained and qualified personnel should install, replace, or service this equipment.** Statement 49



### Caution

Read the safety warnings in the [Regulatory Compliance and Safety Information for Cisco Content Security Appliances](#) and the [Safety and Compliance Guide for Cisco IronPort Appliances](#) and follow proper safety procedures when performing any tasks in this document.

To connect cables to the ports, perform the following steps:

- Step 1** Place the appliance on a flat, stable surface, or in a rack (if you are rack-mounting it).
- Step 2** Before connecting a computer or terminal to the ports, determine the baud rate of the computer console port. The baud rate must match the default baud rate (9600 baud) of the console port of the Cisco 380 and Cisco 680 Series appliance. Set up the terminal as follows: 9600 baud (default), 8 data bits, no parity, 1 stop bits, and Flow Control (FC) set to Hardware.
- Step 3** Connect the cables to the ports.
  - a. Management port—For more information, see the figures in [PCI NIC Slot Configurations, page 1-4](#) for illustrations of the management port on the Cisco 380 and Cisco 680 appliance.

- Connect one RJ-45 connector to the management interface port.
  - Connect the other end of the Ethernet cable to the management port on your computer and make sure that your computer is configured to obtain an IP address using DHCP.
- b.** Console port—for use with the CLI.
- Connect the console cable. The console cable has a DB-9 connector on one end for the console port on your computer and the other end is an RJ-45 connector.
  - Connect the RJ-45 connector to the console port on the Cisco 380 and Cisco 680 appliance.
  - Connect the other end of the cable, the DB-9 connector, to the console port on your computer.
- c.** Ethernet ports—direct connection.
- Connect the RJ-45 connector to the Ethernet port.
  - Connect the other end of the Ethernet cable to your network device, such as a router, switch, or hub.

**Step 4** Connect the power cord to the Cisco 380 and Cisco 680 appliance and connect the other end to your power source.

**Step 5** Power on the appliance.



**Note**

---

If turned on quickly after connecting power to the appliance, the appliance powers up, the fans spin, and the LEDs turn on. Within 30-60 seconds, the fans stop and all LEDs turn off. The appliance powers on 31 seconds later.

This behavior is by design to allow the system firmware and controller to synchronize.

---

**Step 6** Check the Power LED on the front of the Cisco 380 and Cisco 680 appliance. When it is solid green, the appliance is powered on.

For additional information on installation and post-installation tasks, see the following hardware Quick Start Guides:

- [Cisco M380 and M680 Content Security Management Appliance Quick Start Guide](#)
  - [Cisco M380 and Cisco M680 Content Security Management Appliance Quick Start Guide](#)
  - [Cisco S380 and Cisco S680 Web Security Appliance Quick Start Guide](#)
-



# Maintaining the Appliance

---

**Revised: October 11, 2020**  
**Part Number: OL-29172-01**

This chapter provides maintenance information about the Cisco 380 and Cisco 680 series appliance, including how to replace the preinstalled hard disk drives.

This chapter includes the following sections:

- [Power Supplies, page 3-1](#)
- [Remote Power Management, page 3-2](#)
- [Replacing Hard Drives, page 3-3](#)
- [Replacing Hard Drives, page 3-4](#)

## Power Supplies

The Cisco 380 and Cisco 680 series appliance ships with either two AC power supplies or two DC power supplies installed.

Each AC power supply provides 650 watt output power. Each DC power supply provides 930 watt output power. For additional information, see the [“Power Specifications” section on page A-3](#).

The AC power supplies can use any of the power cables listed in [“Supported Power Cords and Plugs” section on page C-1](#). The DC power supplies use only one model of power cord, which is included with the power unit.



**Note**

---

You cannot add additional power supplies but you can replace a failed power supply. You cannot use a combination of AC and DC power supplies. When you replace a power supply, you must replace it with the same type of unit.

---

# Remote Power Management


**Note**

The RPC port speed is configured statically to 100 mbps and full-duplex mode without autonegotiation. Without autonegotiation, the RPC port fails to connect properly and cannot be used.

Remote power management allows remote reboot of the appliance. To perform the remote power cycle, you need to:

- Connect the appliance interface to a remotely accessible network
- Configure the interface via AsyncOS using the **remotepower** command
- When needed, perform the Power Rest directly to the chassis using software that speaks IPMI (Intelligent Platform Management Interface)

## Enable Remote Power Management

To enable remote power management:

- 
- Step 1** Connect the “remote power management” RPC interface port of the appliance to a remotely accessible network.
- Step 2** Using SSH, telnet, or the serial port to access the appliance AsyncOS CLI, enter the **remotepower** command. This command is only available through the CLI.
- The access to IPMI remote power commands display as currently disabled.
- Step 3** From the setup prompt, enter **setup** to configure IPMI for chassis remote power access.
- Step 4** Type **y** and enter to enable remote access.
- Step 5** Enter the IP address (IPv4 only) for the chassis. For example:
- 1.1.1.2
- Step 6** Enter the netmask. For example:
- 255.255.255.0
- Step 7** Enter the gateway address. For example:
- 1.1.1.1
- Step 8** Enter the username and password that will be used to log in to the chassis. For example, username “admin” and password.


**Note**

The username and password entered here are independent of the AsyncOS.

This username and password are sent in clear text and will be visible to anyone who can monitor your network. You should take precautions to ensure the remote management port is connected directly to a secure network.

- Step 9** Enter the password again to confirm.
- The current remote power settings are displayed.

- Step 10** At the setup prompt enter (or hit return key) and from the chassis prompt, enter **commit** to save your changes.



**Note** Once the change is committed, you can only control IPMI “chassis power” options.

## Other IPMI Options

Other IPMI client software for is available that can be used to remotely power down and reboot the chassis.

- Ipmitool is available for Unix-type hosts and uses the following command:  
remotemachine\$ ipmitool -I lanplus -H 1.1.1.2 -U admin -P password chassis power reset
- Software available for Windows, such as Supermicro’s IPMI View for Windows.

## Replacing Hard Drives



**Warning**

**Blank faceplates and cover panels serve three important functions: they prevent exposure to hazardous voltages and currents inside the chassis; they contain electromagnetic interference (EMI) that might disrupt other equipment; and they direct the flow of cooling air through the chassis. Do not operate the system unless all cards, faceplates, front covers, and rear covers are in place.**

Statement 1029



**Warning**

**Class 1 laser product.**

Statement 1008



**Caution**

When handling appliance components, wear an ESD strap to avoid damage.



**Tip**

You can press the Identification button on the front panel or rear panel to turn on a flashing Identification LED on the front and rear panels of the appliance. This allows you to locate the specific appliance that you are servicing when you go to the opposite side of the rack. See the “[Status LEDs and Buttons](#)” section on page 1-7 for locations of these LEDs. To use a serial number to locate a specific Cisco 380 or Cisco 680 appliance, look at the label on the back of the unit.

## Replacing Hard Drives

This section includes the following information:

- [Drive Population Guidelines](#), page 3-4
- [Drive Replacement Procedure](#), page 3-5



### Note

You can only replace a failed drive. You cannot insert an additional drive. Additional user-installed drives will not be recognized by the system.

## Drive Population Guidelines

The Cisco 380 and Cisco 680 series appliance includes up to eight small form-factor (SFF) drives, with a 24-drive backplane and expander. However, the various models of the Cisco 380 and Cisco 680 series appliance only support the use of between two to eight of the slots for the hard drives.

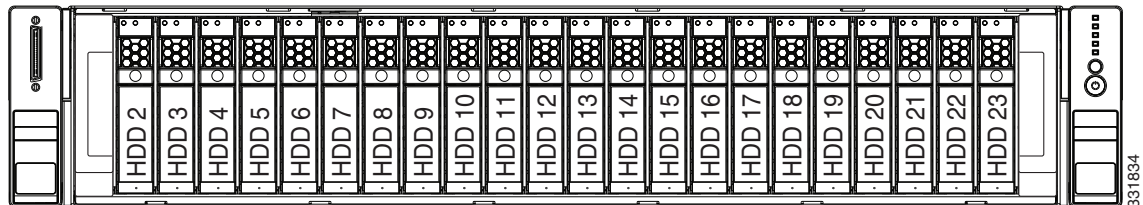


### Note

None of the models support more than eight hard drives. Because each model supports a different maximum number of hard drives, see the “[Hardware and Technical Specifications](#)” section on page A-2 for the number of hard drives supported by each specific model.

The drive-bay numbering is shown in [Figure 3-1](#). It shows twenty-two hard drives, which is much more than the number supported by any model of the Cisco 380 and Cisco 680 series appliances.

**Figure 3-1** Drive Numbering, Small Form-Factor Drives



Observe these drive population guidelines for optimal performance:

- None of the models support the use of drives in slots 10 through 23. The front bezel latches cover two of the drive slots (slot 1 and slot 24).
- You cannot install more drives than the number supported for your model. You can only replace drives that are no longer working.
- When you replace a drive, you must use the same slot as the drive that you replaced.
- Do not remove the panels that cover empty drive slots.

## Drive Replacement Procedure

To replace or install a hot-pluggable hard drive, follow these steps:



### Tip

You do not have to shut down or power off the appliance to replace hard drives because they are hot-pluggable.

**Step 1** Remove the drive that you are replacing or remove a blank drive tray from an empty bay:

- a. Press the release button on the face of the drive tray. See [Figure 3-2](#).
- b. Grasp and open the ejector lever and then pull the drive tray out of the slot.

**Step 2** Install a new drive:

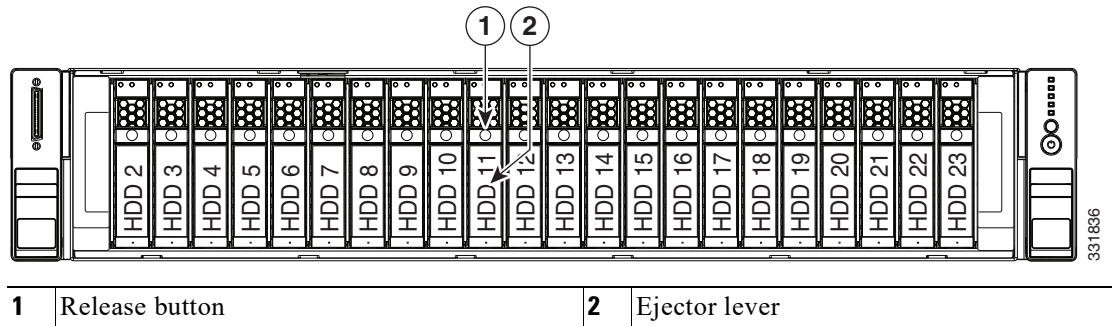
- c. With the ejector lever on the drive tray open, insert the drive tray into the empty drive bay.
- d. Push the tray into the slot until it touches the backplane, then close the ejector lever to lock the drive in place.



### Note

You cannot use most of the slots for the hard drives. To see the maximum number of hard drives supported for each specific model, refer to the “[Hardware and Technical Specifications](#)” section on [page A-2](#). When you replace a drive, you must use the same slot as the drive that you replaced.

**Figure 3-2** Replacing Hard Drives



## Contacting Service and Support

You can contact support using one of the following methods:

Cisco IronPort Support: [http://www.cisco.com/en/US/products/ps11169/serv\\_group\\_home.html](http://www.cisco.com/en/US/products/ps11169/serv_group_home.html)

U.S. Toll-Free Number: 1-800-553-2447 or 1-408-526-7209

International Contacts: [http://www.cisco.com/en/US/support/tsd\\_cisco\\_worldwide\\_contacts.html](http://www.cisco.com/en/US/support/tsd_cisco_worldwide_contacts.html)







# Appliance Specifications

---

**Revised: December 14, 2017**  
**Part Number: OL-29172-01**

This appendix lists the technical specifications for the appliance and includes the following sections:

- [Physical Specifications, page A-1](#)
- [Hardware and Technical Specifications, page A-2](#)
- [Power Specifications, page A-3](#)
- [Environmental Specifications, page A-4](#)

## Physical Specifications

[Table A-1](#) lists the physical specifications for the appliance.


**Table A-1**      *Physical Specifications*

<b>Description</b>	<b>Specification</b>
Height	3.5 in. (8.96 cm)
Width (including slam-latches)	19.0 in. (48.37 cm)
Depth	29.0 in. (73.77 cm)
Weight (fully loaded)	65.5 lbs. (29.7 Kg)

# Hardware and Technical Specifications

Table A-2 lists a summary of appliance features.

**Table A-2 Cisco 380 and Cisco 680 Series Appliance Features**

Chassis	Two rack-unit (2RU) chassis.
Processors	Two Intel Xeon E5-2620 Series processors (2.0 G, 6C).
	 <p><b>Note</b> The Cisco S680 has two Intel Xeon E5-2680 Series processors (2.7 G, 8C). The Cisco C380 and Cisco S380 each have one Intel Xeon E5-2620 Series processors (2.0 G, 6C).</p>
Memory	<p>4 GB DDR3-1600-MHz RDIMM DRAM<sup>1</sup>.</p> <ul style="list-style-type: none"> <li>• Cisco C380 Email Security appliance includes four (4) 4 GB DDR3-1600-MHz RDIMM DRAM.</li> <li>• Cisco C680 Email Security appliance includes eight (8) 4 GB DDR3-1600-MHz RDIMM DRAM.</li> <li>• Cisco M380 Content Security Management appliance includes eight (8) 4 GB DDR3-1600-MHz RDIMM DRAM.</li> <li>• Cisco M680 Content Security Management appliance includes eight (8) 4 GB DDR3-1600-MHz RDIMM DRAM.</li> <li>• Cisco S380 Web Security appliance includes four (4) 4 GB DDR3-1600-MHz RDIMM DRAM.</li> <li>• Cisco S680 Web Security appliance includes eight (8) 4 GB DDR3-1600-MHz RDIMM DRAM.</li> </ul>
Network and management I/O	<p>The appliance provides these connectors:</p> <ul style="list-style-type: none"> <li>• One 1-Gb Ethernet dedicated management port</li> <li>• Four 1-Gb Base-T Ethernet LAN ports</li> <li>• One console port (RJ-45 connector)</li> <li>• Two USB<sup>2</sup> 2.0 connectors</li> </ul>
Redundant AC Power	<p>Two power supplies: Both 650 W each.</p> <p>Redundant as 1+1. See <a href="#">Power Specifications, page A-3</a>.</p>
Cooling	Two fan modules for front-to-rear cooling.
PCIe I/O	Five horizontal PCIe <sup>3</sup> expansion slots on two risers. See <a href="#">PCI NIC Slot Configurations, page 1-4</a> .

**Table A-2 Cisco 380 and Cisco 680 Series Appliance Features (continued)**

Hard Drives	<p>Hard drives are installed into front-panel drive bays that provide hot-pluggable access. All appliances have small form-factor (SFF) drives with a 24-drive backplane and expander. The front latch bezels cover two drive slots (1 and 24). The appliance has the following 2.5-inch hard-drive configurations.</p> <ul style="list-style-type: none"> <li>• Cisco C380 Email Security appliance includes two (2) 600 G HDDs.</li> <li>• Cisco C680 Email Security appliance includes six (6) 300 G HDDs.</li> <li>• Cisco M380 Content Security Management appliance includes four (4) 600 G HDDs.</li> <li>• Cisco M680 Content Security Management appliance includes eight (8) 600 G HDDs.</li> <li>• Cisco S380 Web Security appliance includes four (4) 600 G HDDs.</li> <li>• Cisco S680 Web Security appliance includes eight (8) 600 G HDDs.</li> </ul>
RAID Configuration	The RAID <sup>4</sup> will be configured as RAID 10 except in the case of two disk configurations, in which the RAID will be configured as RAID 1.
RAID Backup	The LSI battery backup unit.

1. DRAM = dynamic random-access memory
2. USB = universal serial bus
3. PCIe = peripheral component interconnect express
4. RAID = redundant array of independent disks

## Power Specifications

Table A-3 lists the specifications for each 650 W AC power supply.

**Table A-3 AC Power Supply Specifications**

Description	Specification
AC input voltage range	90 to 264 VAC (self-ranging, 180 to 264 VAC nominal)
AC input frequency	Range: 47 to 63 Hz (single phase, 50 to 60Hz nominal)
AC line input current (steady state)	7.6 A peak at 100 VAC 3.65 A peak at 208 VAC
Maximum output power for each power supply	650 W
Power supply output voltage	Main power: 12 VDC Standby power: 12 VDC

Table A-4 lists the specifications for each 930 W DC power supply.

**Table A-4**      **DC Power Supply Specifications**

Description	Specification
Class	RSP1
DC input voltage range	40 to 72 VDC (self-ranging, 48 to 60 VDC nominal)
DC line input current (steady state)	23 A peak at 48 VDC
12V main power output	930 W
12V standby power output	30 W
Power supply output voltage	Main power: 12 VDC Standby power: 12 VDC

## Environmental Specifications

Table A-5 lists the environmental specifications for the appliance.

**Table A-5**      **Environmental Specifications**

Description	Specification
Temperature, operating:	41 to 104°F (5 to 40°C) Derate the maximum temperature by 1°C per every 305 meters of altitude above sea level.
Temperature, non-operating	-40 to 149°F (-40 to 65°C)
Humidity (RH), noncondensing	10 to 90%
Altitude, operating	0 to 10,000 feet
Altitude, non-operating	0 to 40,000 feet
Sound power level Measure A-weighted per ISO7779 LwAd (Bels) Operation at 73°F (23°C)	5.8
Sound pressure level Measure A-weighted per ISO7779 LpAm (dBA) Operation at 73°F (23°C)	43



# Identifying Cable Pinouts

---

**Revised: October 4, 2013**  
**Part Number: OL-29172-01**

This appendix describes pinout information for the 10/100/1000BaseT ports, the RJ-45 to DB-9 ports, and the RJ-45 cables for the console port.

This chapter includes the following sections:

- [10/100/1000BaseT Connectors, page B-1](#)
- [Console Port \(RJ-45\), page B-2](#)
- [RJ-45 to DB-9, page B-4](#)

## 10/100/1000BaseT Connectors

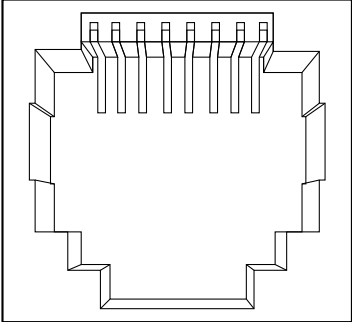
The Cisco 380 and Cisco 680 series appliance supports 10/100/1000BaseT ports. You must use at least a Category 5 cable for 100/1000baseT operations, but a Category 3 cable can be used for 10BaseT operations.

The 10/100/1000BaseT ports use standard RJ-45 connectors and support MDI and MDI-X connectors. Ethernet ports normally use MDI connectors and Ethernet ports on a hub normally use an MDI-X connector.

Use an Ethernet straight-through cable to connect an MDI to an MDI-X port. Use a cross-over cable to connect an MDI to an MDI port, or an MDI-X to an MDI-X port.

Figure B-1 shows the 10BaseT, 100BaseTX, and 1000BASE-T connector (RJ-45).

**Figure B-1** 10/100/1000 Port Pinouts

Pin	Label	1 2 3 4 5 6 7 8
1	TP0+	
2	TP0-	
3	TP1+	
4	TP2+	
5	TP2-	
6	TP1-	
7	TP3+	
8	TP3-	

## Console Port (RJ-45)

Cisco products use the following types of RJ-45 cables:

- Straight-through
- Crossover

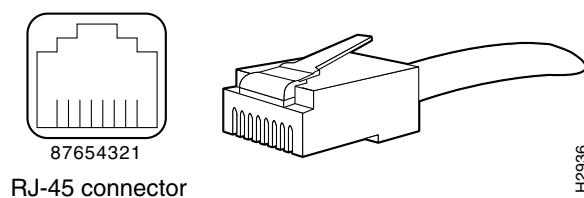


### Note

Cisco does not provide these cables, yet they are widely available from other sources.

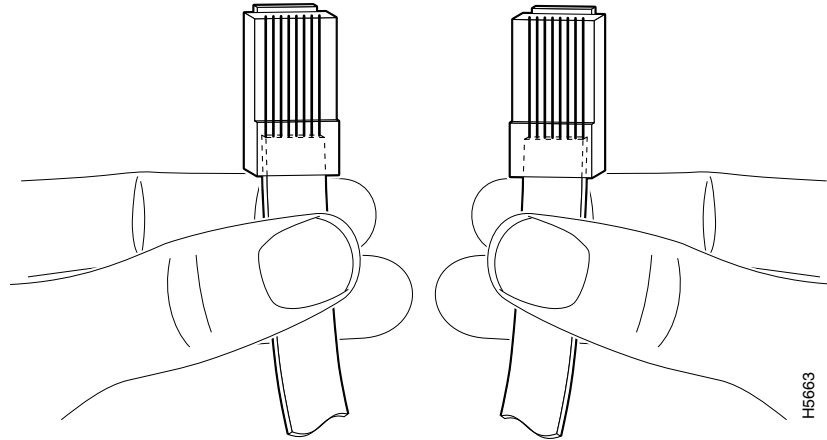
Figure B-2 shows the RJ 45 cable.

**Figure B-2** RJ-45 Cable



To identify the RJ-45 cable type, hold the two ends of the cable next to each other so that you can see the colored wires inside the ends, as shown in [Figure B-3](#).

**Figure B-3** *RJ-45 Cable Identification*



Examine the sequence of colored wires to determine the type of RJ-45 cable, as follows:

- Straight-through—The colored wires are in the same sequence at both ends of the cable.
- Crossover—The first (far left) colored wire at one end of the cable is the third colored wire at the other end of the cable.

Table B-1 lists the rolled (console) cable pinouts for RJ-45.

**Table B-1 RJ-45 Rolled (Console) Cable Pinouts**

Signal	Pin	Pin	Pin
-	1	8	-
-	2	7	-
-	3	6	-
-	4	5	-
-	5	4	-
-	6	3	-
-	7	2	-
-	8	1	-

## RJ-45 to DB-9

Table B-2 lists the cable pinouts for RJ-45 to DB-9.

**Table B-2 Cable Pinouts for RJ-45 to DB-9**

Signal	RJ-45 Pin	DB-9 Pin
RTS	1	7
DTR	2	4
TxD	3	3
GND	4	5
GND	5	5
RxD	6	2
DSR	7	6
CTS	8	8





# Power Cord Specifications

Revised: October 4, 2013  
 Part Number: OL-29172-01

This appendix provides supported power cable specifications.

## Supported Power Cords and Plugs

Each power supply has a separate power cord. Standard power cords are available for connection to the appliance. The jumper power cords, for use in racks, are available as an optional alternative to the standard power cords.



**Note**

Only the approved power cords or jumper power cords provided with the appliance are supported.

Table C-1 lists the power cords for the appliance power supplies.

**Table C-1 Supported Power Cords for the Appliance**

Description	Length		Power Cord Reference Illustration
	Feet	Meters	
CAB-JPN-3PIN Power Cord, 3 PIN Japan	8.2	2.5	<a href="#">Figure C-1</a>
CAB-250V-10A-CN AC Power Cord, 250V 10 A - PRC China	8.2	2.5	<a href="#">Figure C-2</a>
SFS-250V-10A-AR Power Cord, 250 VAC 10 A IRAM 2073 Plug Argentina	8.2	2.5	<a href="#">Figure C-3</a>
CAB-9K10A-AU 250 VAC 10 A 3112 Plug, Australia	8.2	2.5	<a href="#">Figure C-4</a>
SFS-250V-10A-CN Power Cord, 250 VAC 10 A GB 2009 Plug China	8.2	2.5	<a href="#">Figure C-5</a>

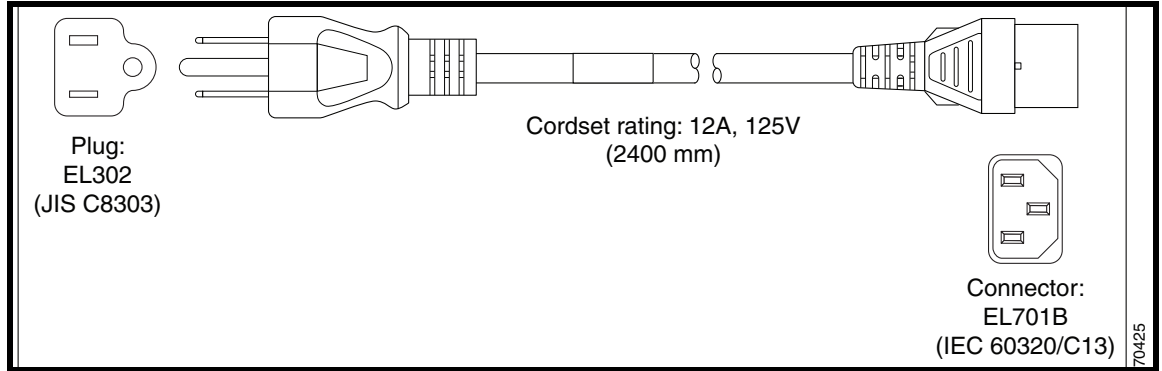
**Table C-1 Supported Power Cords for the Appliance (continued)**

Description	Length		Power Cord Reference Illustration
	Feet	Meters	
CAB-9K10A-EU Power Cord, 250 VAC 10 A M 2511 Plug Europe	8.2	2.5	<a href="#">Figure C-6</a>
SFS-250V-10A-ID Power Cord, 250 VAC 16A EL-208 Plug South Africa, United Arab Emirates, India	8.2	2.5	<a href="#">Figure C-7</a>
SFS-250V-10A-IS Power Cord, 250 VAC 10 A SI32 Plug Israel	8.2	2.5	<a href="#">Figure C-8</a>
CAB-9K10A-IT Power Cord, 250 VAC 10 A CEI 23-16 Plug Italy	8.2	2.5	<a href="#">Figure C-9</a>
CAB-9K10A-SW Power Cord, 250 VAC 10 A MP232 Plug Switzerland	8.2	2.5	<a href="#">Figure C-10</a>
CAB-9K10A-UK Power Cord, 250 VAC 10 A BS1363 Plug (13 A fuse) United Kingdom	8.2	2.5	<a href="#">Figure C-11</a>
CAB-AC-L620-C13 Power Cord, 250 VAC 13 A IEC60320 Plug North America	6.6	2.0	<a href="#">Figure C-12</a>
CAB-N5K6A-NA Power Cord, 250 VAC 13 A NEMA 6-15 Plug, North America	8.2	2.5	<a href="#">Figure C-13</a>
CAB-9K12A-NA Power cord, 125 VAC, 13 A, NEMA 5-15 Plug North America	8.2	2.5	<a href="#">Figure C-14</a>
CAB-C13-CBN Cabinet Jumper Power Cord, 250 VAC 10 A, C13-C14 Connectors	2.2	0.68	<a href="#">Figure C-15</a>
CAB-C13-C14-2M Cabinet Jumper Power Cord, 250 VAC 10 A, C13-C14 Connectors	6.6	2.0	<a href="#">Figure C-16</a>
CAB-C13-C14-AC Cabinet Jumper Power Cord, 250 VAC 10 A, C13-C14 Connectors	9.8	3.0	<a href="#">Figure C-17</a>

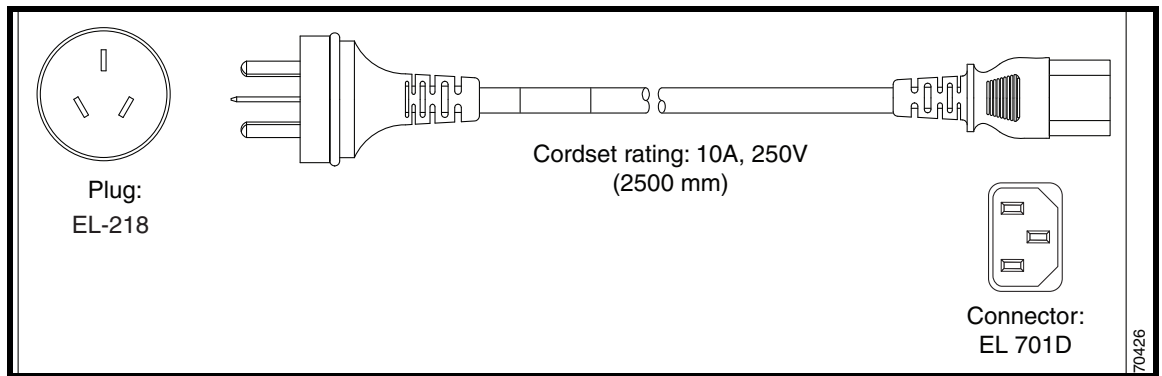
# AC Power Cord Illustrations

This section includes the AC power cord illustrations. See [Figure C-1](#) through [Figure C-17](#).

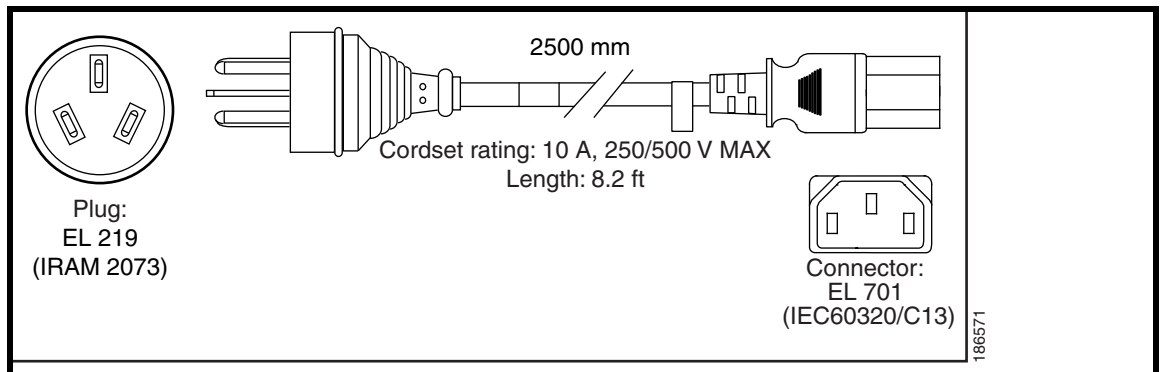
**Figure C-1 CAB-JPN-3PIN**



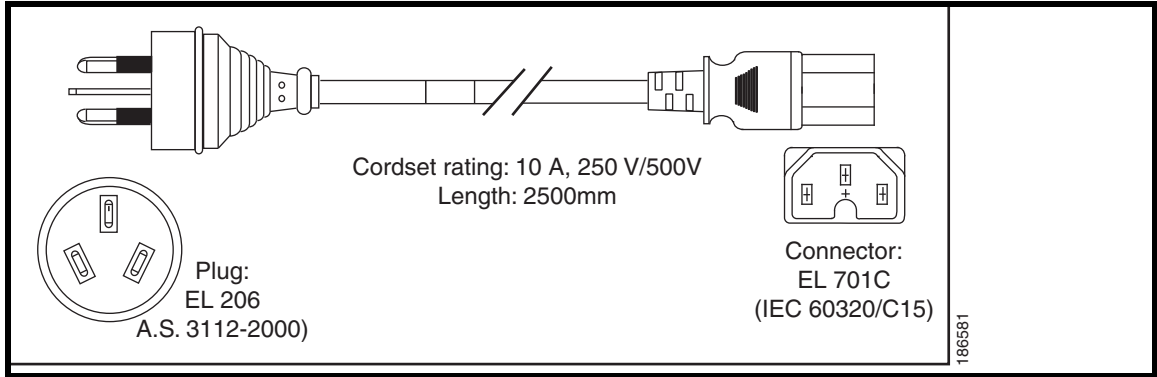
**Figure C-2 CAB-250V-10A-CN**



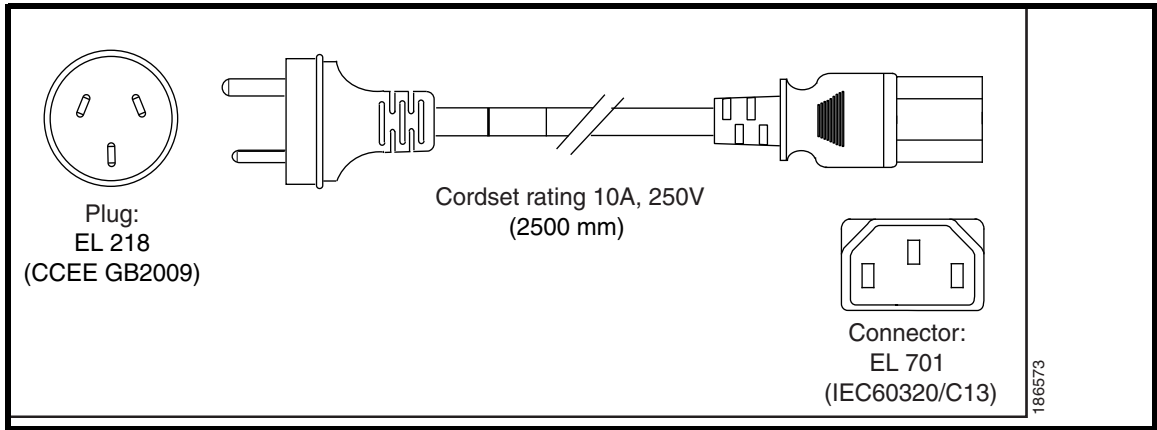
**Figure C-3 SFS-250V-10A-AR**



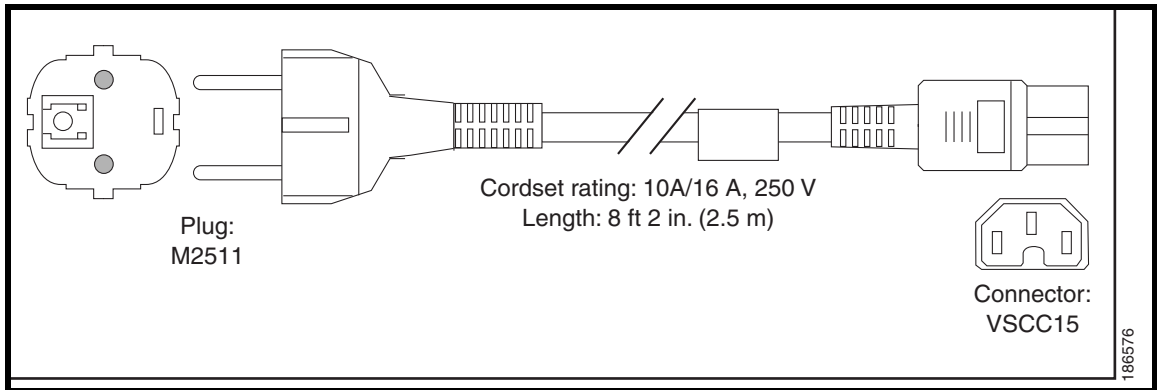
**Figure C-4 CAB-9K10A-AU**



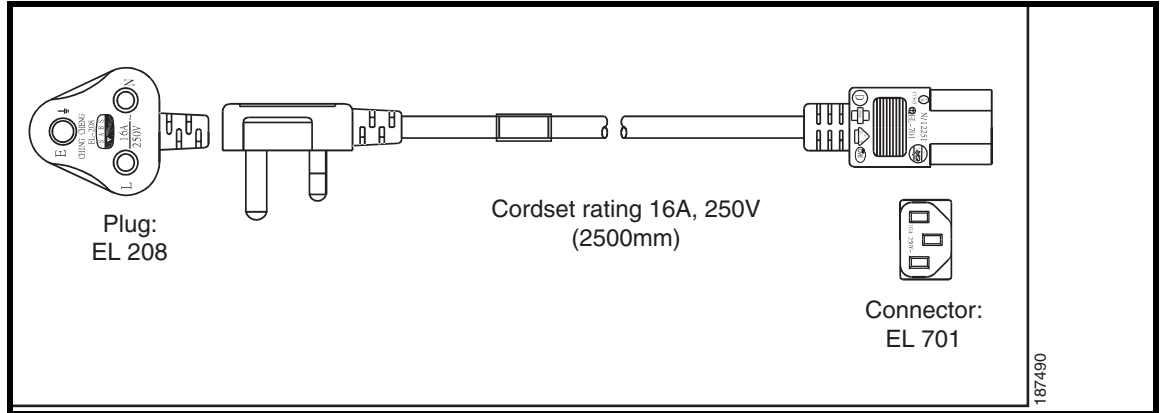
**Figure C-5 SFS-250V-10A-CN**



**Figure C-6 CAB-9K10A-EU**

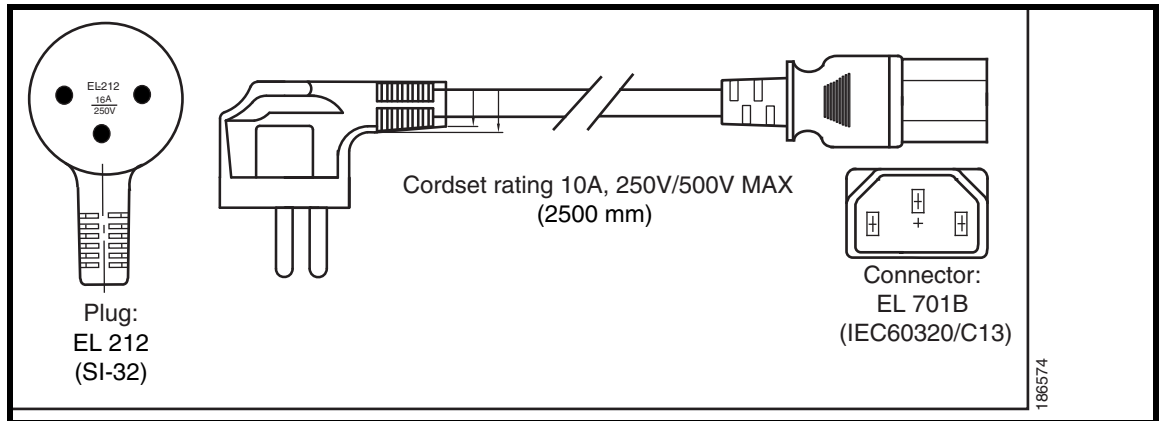


**Figure C-7 SFS-250V-10A-ID**



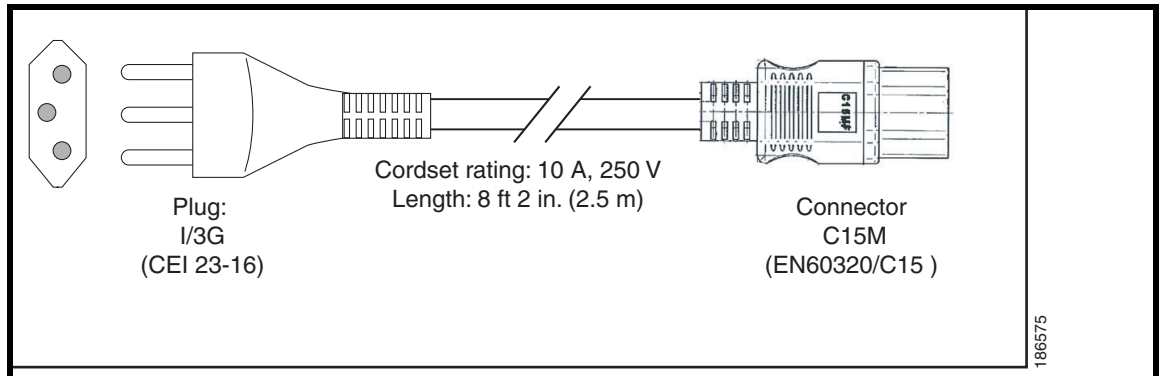
187490

**Figure C-8 SFS-250V-10A-IS**



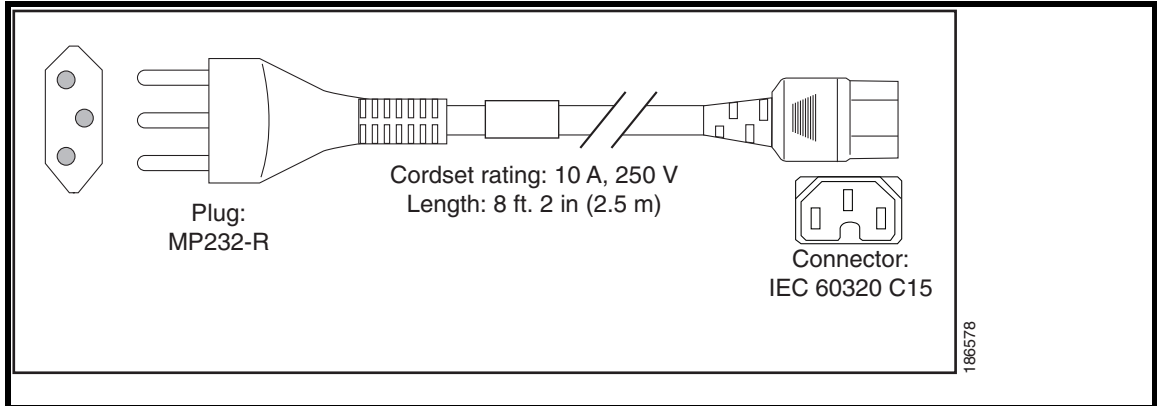
186574

**Figure C-9 CAB-9K10A-IT**

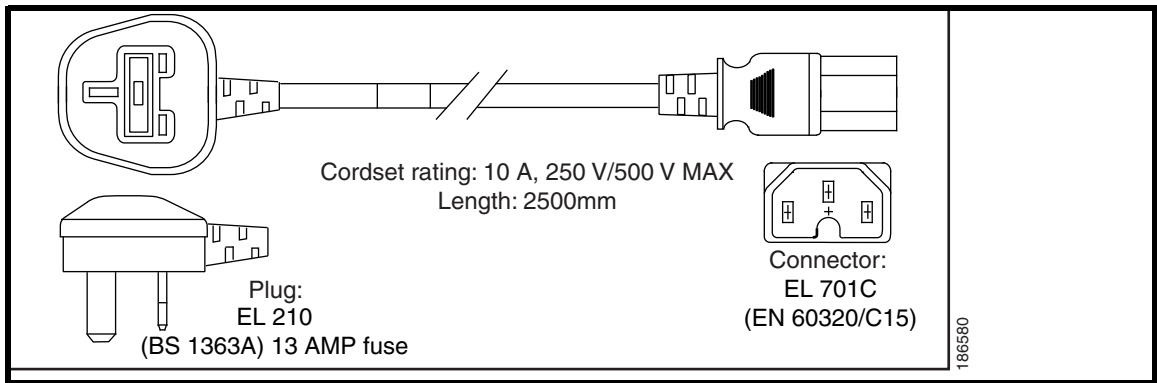


186575

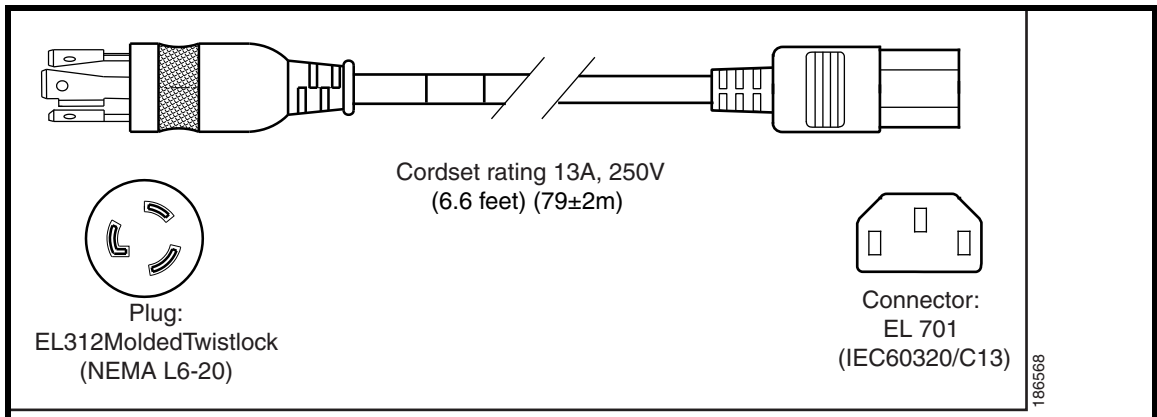
**Figure C-10 CAB-9K10A-SW**



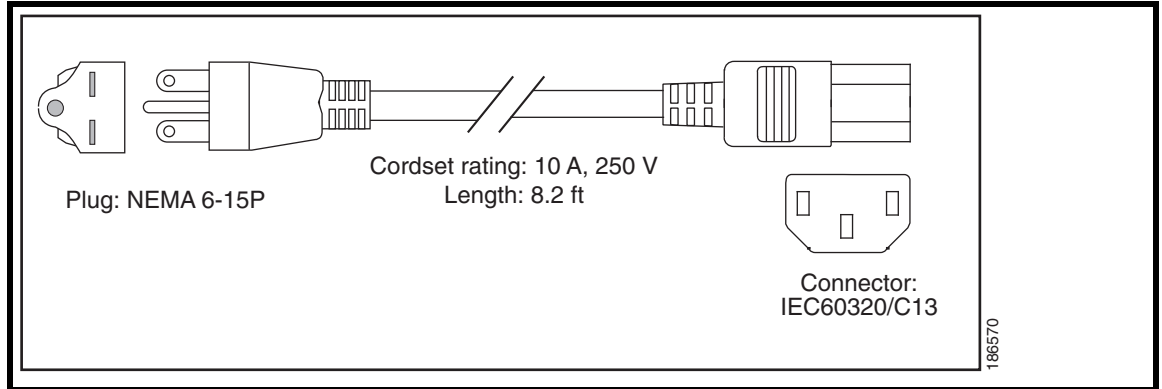
**Figure C-11 CAB-9K10A-UK**



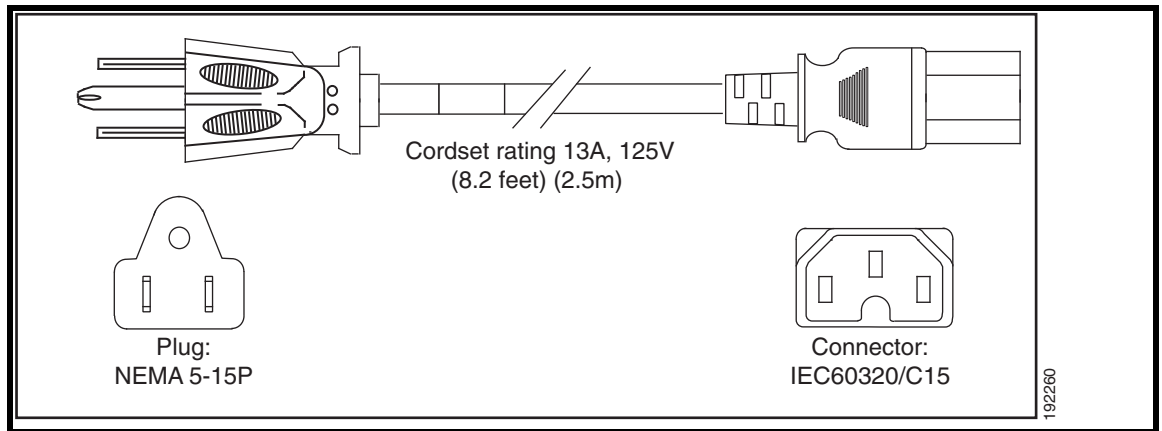
**Figure C-12 CAB-AC-250V/13A**



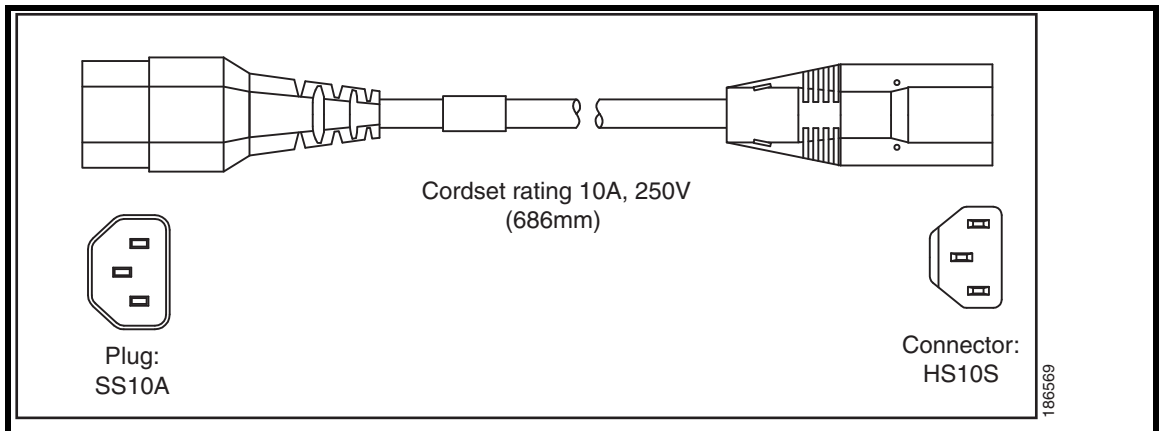
**Figure C-13 CAB-N5K6A-NA**



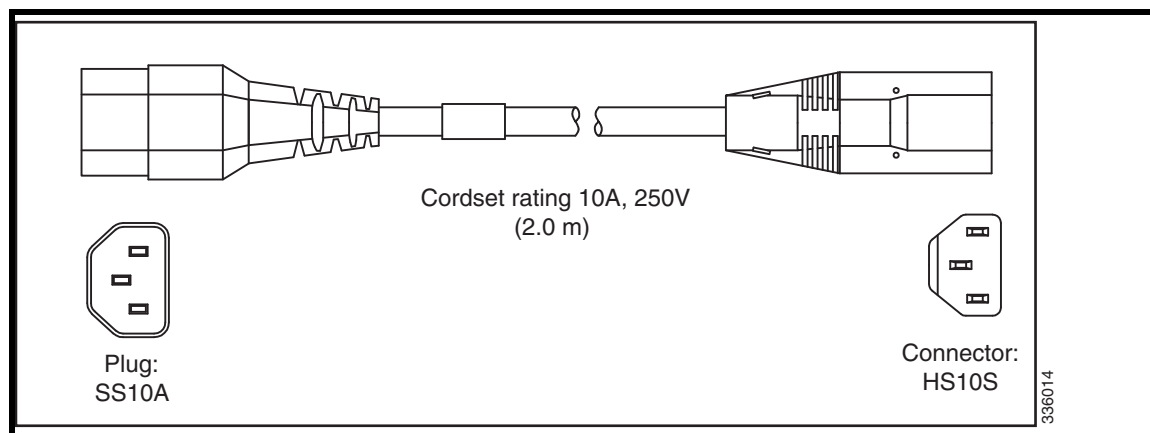
**Figure C-14 CAB-9K12A-NA**



**Figure C-15 CAB-C13-CBN, Jumper Power Cord (0.68 m)**



**Figure C-16** CAB-C13-C14-2M, Jumper Power Cord (2 m)



**Figure C-17** CAB-C13-C14-AC, Jumper Power Cord (3 m)

