



Cisco HyperFlex HX220 M6 Edge All Flash and Hybrid Server Nodes

A printed version of this document is only a copy and not necessarily the latest version. Refer to the following link for the latest released version:

<https://www.cisco.com/c/en/us/products/hyperconverged-infrastructure/hyperflex-hx-series/datasheet-listing.html>



CISCO SYSTEMS
170 WEST TASMAN DR
SAN JOSE, CA, 95134
WWW.CISCO.COM

PUBLICATION HISTORY

REV A.30 JUNE 14, 2024

CONTENTS

OVERVIEW	5
DETAILED VIEWS	7
Chassis Front View - HXAF-E-220M6S (All Flash)	7
Chassis Front View - HX-E-220M6S (Hybrid)	8
Detailed Chassis Rear Views	9
One Half-Height Riser	10
Three Half-Height Risers	11
Two Full-Height Risers	12
BASE SERVER NODE STANDARD CAPABILITIES and FEATURES	13
CONFIGURING the SERVER	17
STEP 1 VERIFY SERVER SKU	18
STEP 2 SELECT RISERS	19
STEP 3 SELECT CPU(s)	20
STEP 4 SELECT MEMORY	24
Memory Configurations, Features	26
STEP 5 SELECT DRIVE CONTROLLERS	29
Cisco 12G SAS HBA	29
STEP 6 SELECT DRIVES	30
STEP 7 SELECT OPTION CARD(s)	34
STEP 8 ORDER OPTIONAL PCIe OPTION CARD ACCESSORIES	36
STEP 9 SELECT HYPERFLEX EDGE NETWORK TOPOLOGY	39
STEP 10 ORDER GPU CARDS (OPTIONAL)	41
STEP 11 ORDER POWER SUPPLY	42
STEP 12 SELECT INPUT POWER CORD(s)	43
STEP 13 ORDER TOOL-LESS RAIL KIT AND OPTIONAL REVERSIBLE CABLE MANAGEMENT ARM	47
STEP 14 ORDER SECURITY DEVICES (OPTIONAL)	48
STEP 15 SELECT LOCKING SECURITY BEZEL (OPTIONAL)	49
STEP 16 SELECT HYPERVISOR / HOST OPERATING SYSTEM	50
STEP 17 SELECT HYPERFLEX DATA PLATFORM (HXDP) SOFTWARE	52
STEP 18 CISCO INTERSIGHT	53
STEP 19 SELECT INSTALLATION SERVICE	54
STEP 20 SELECT SERVICE and SUPPORT LEVEL	55
SUPPLEMENTAL MATERIAL	63
Supported Network Topologies for HyperFlex Edge 2 Node Deployments	63
10 or 25 Gigabit Ethernet Dual Switch Topology	64
10 or 25 Gigabit Ethernet Single Switch Topology	65
1 Gigabit Ethernet Dual Switch Topology	66
1 Gigabit Ethernet Single Switch Topology	67
NIC Based 10 or 25 Gigabit Ethernet Dual Switch Topology (quad port)	68
NIC Based 10 or 25 Gigabit Ethernet Dual Switch Topology (dual port)	69
Supported Network Topologies for HyperFlex Edge 3 and 4 Node Deployments	70
10 or 25 Gigabit Ethernet Dual Switch Topology	71
10 or 25 Gigabit Ethernet Single Switch Topology	72
1 Gigabit Ethernet Dual Switch Topology	73
1 Gigabit Ethernet Single Switch Topology	74
NIC Based 10 or 25 Gigabit Ethernet Dual Switch Topology (quad port)	75
NIC Based 10 or 25 Gigabit Ethernet Dual Switch Topology (dual port)	76
Chassis	77
Risers	79

CONTENTS

- Serial Port Details82
- KVM Cable83
- SPARE PARTS 84**
- UPGRADING or REPLACING CPUs 92**
- UPGRADING or REPLACING MEMORY 93**
- TECHNICAL SPECIFICATIONS 94**
 - Dimensions and Weight94
 - Power Specifications95
 - Environmental Specifications99
 - Extended Operating Temperature Hardware Configuration Limits 100
 - Compliance Requirements 101

CONTENTS

OVERVIEW

Cisco HyperFlex Edge Systems are optimized for remote sites, branch offices, and edge environments. As a smaller form factor of Cisco HyperFlex, Cisco HyperFlex Edge keeps the full power of a next generation hyperconverged platform even without connecting to Cisco UCS Fabric Interconnects. Cisco HyperFlex Edge Systems support a variable configuration of 2, 3, or 4 HX converged nodes and supports the scale up of CPU, memory, and storage capacity (hot-add additional capacity drives).

NOTE: HX220 M6 Edge requires Cisco Intersight for cluster deployment and ongoing management.

HyperFlex Edge operates using existing top of rack 1GE or 10/25GE switching with options for both single and dual switch configurations. Edge clusters are configured with replication factor 2 (RF2) to ensure availability during various failure scenarios. HyperFlex Edge is typically deployed in environments with a minimal infrastructure footprint, hence the use of UCS compute-only nodes is not supported.

The Cisco HyperFlex HX220 M6 Edge All Flash/Hybrid Server Nodes extends the capabilities of Cisco's HyperFlex portfolio in a 1U form factor with the addition of the 3rd Gen Intel® Xeon® Scalable Processors (Ice Lake), 16 DIMM slots per CPU for 3200-MHz DDR4 DIMMs with DIMM capacity points up to 128 GB. The maximum memory capacity for 2 CPUs is listed here:

- 4 TB (32 x 128 GB DDR4 DIMMs)

There are several drive and rear riser configurations:

Drives

There are two servers to choose from:

- **HXAF-E-220M6S (All Flash)** (see [Figure 1 on page 5](#)):
 - Up to 10 front SFF SAS/SATA SSDs only.
- **HX-E-220M6S (Hybrid)** (see [Figure 1 on page 5](#)):
 - Up to 10 front SFF SAS/SATA HDDs and SSDs.

Rear PCIe Risers

- One to three half-height PCIe risers, or
- One to two full-height PCIe risers.

The server provides an internal slot for one of the following:

- Cisco 12G SAS pass-through HBA to control SAS/SATA drives.



NOTE: PCIe drives are controlled directly from the CPUs

The HX220 M6 Edge All Flash/Hybrid Server Nodes has two LOM ports (10Gbase-T LOM) and a single 1 GbE management port. A modular LAN on motherboard (mLOM) module provides up to two 100 GbE ports. A connector on the front of the chassis provides KVM functionality.

See [Figure 1 on page 5](#) for front and rear views of the HX220 M6 Edge All Flash/Hybrid Server Nodes.

Figure 1 Cisco HX220 M6 Edge All Flash/Hybrid Server Nodes

HXAF-E-220M6S (All Flash)

10 front drives are SAS/SATA SDDs only

Front View (see [Figure 2 on page 7](#) for details)



HX-E-220M6S (Hybrid)

10 front drives are SAS/SATA HDDS and SDDs

Front View (see [Figure 3 on page 8](#) for details)



Rear View (one half-height riser version) (see [Figure 4 on page 10](#) for details)



Rear View (three half-height riser version) (see [Figure 5 on page 11](#) for details)



Rear View (two full-height riser version) (see [Figure 6 on page 12](#) for details)

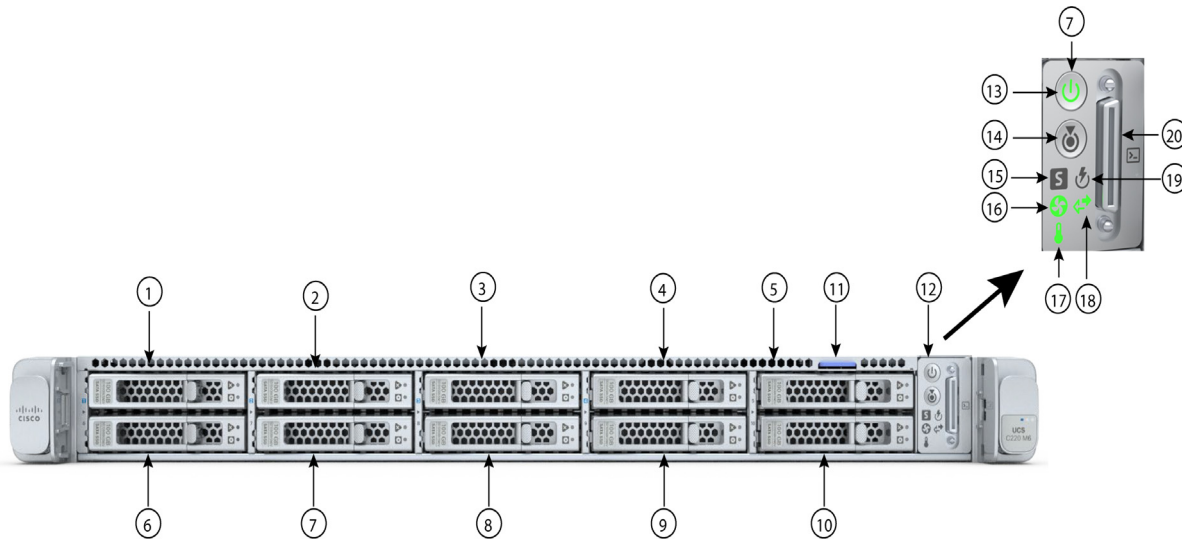


DETAILED VIEWS

Chassis Front View - HXAF-E-220M6S (All Flash)

Figure 2 shows the front view of the Cisco HyperFlex HXAF-E-220M6S (All Flash) Server Node.

Figure 2 Chassis Front View

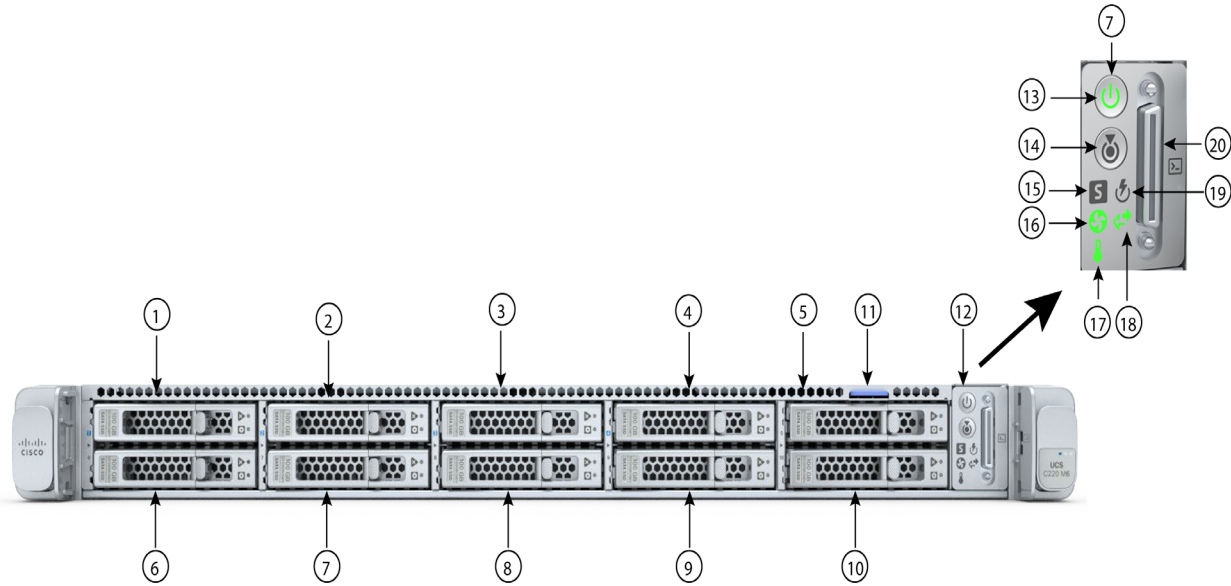


1 - 10	Drive bays 1 - 10 support SAS/SATA solid state drives (SSDs) only	16	Fan status LED
11	Asset tag location	17	Temperature status LED
12	Control panel	18	Network link activity LED
13	Power button/power status LED	19	Power supply status LED
14	Unit Identification button/LED	20	KVM connector (used with KVM cable that provides two USB 2.0, one VGA, and one serial connector)
15	System status LED	—	—

Chassis Front View - HX-E-220M6S (Hybrid)

Figure 3 shows the front view of the Cisco HyperFlex HX-E-220M6S (Hybrid) Server Node.

Figure 3 Chassis Front View



1 - 4	Drive bays 1 - 4 support SAS/SATA hard drives (HDDs) and solid state drives (SSDs)	15	System status LED
5 - 10	Drive bays 5 - 10 support SAS/SATA hard drives (HDDs) only	16	Fan status LED
11	Asset tag location	17	Temperature status LED
12	Control panel	18	Network link activity LED
13	Power button/power status LED	19	Power supply status LED
14	Unit Identification button/LED	20	KVM connector (used with KVM cable that provides two USB 2.0, one VGA, and one serial connector)

Detailed Chassis Rear Views

Figure 4 shows the details of the rear panel for the HX220 M6 Edge All Flash/Hybrid Server Nodes with one rear half-height PCIe riser.

Figure 5 shows the details of the rear panel for the HX220 M6 Edge All Flash/Hybrid Server Nodes with three rear half-height PCIe risers.

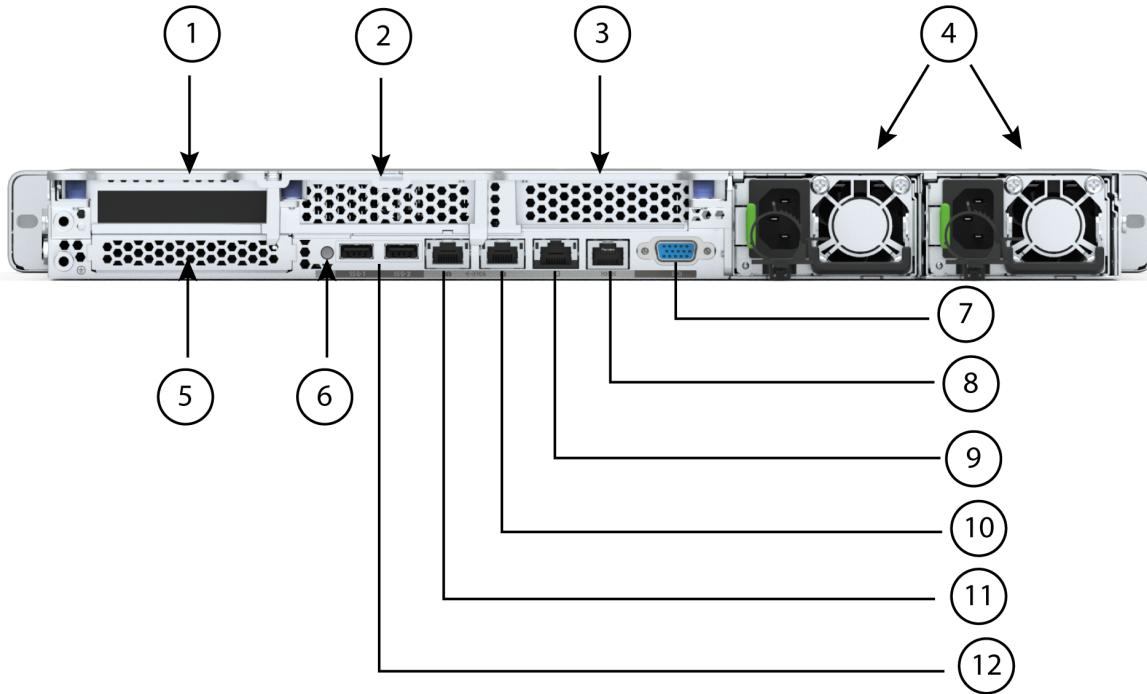
Figure 6 shows the details of the rear panel for the HX220 M6 Edge All Flash/Hybrid Server Nodes with two rear full-height PCIe risers.

One Half-Height Riser



NOTE: By default, 1-CPU servers come with only one half-height riser 1 installed. 2-CPU servers support all three half-height risers.

Figure 4 Chassis Rear View (one half-height, 3/4 length PCIe riser)



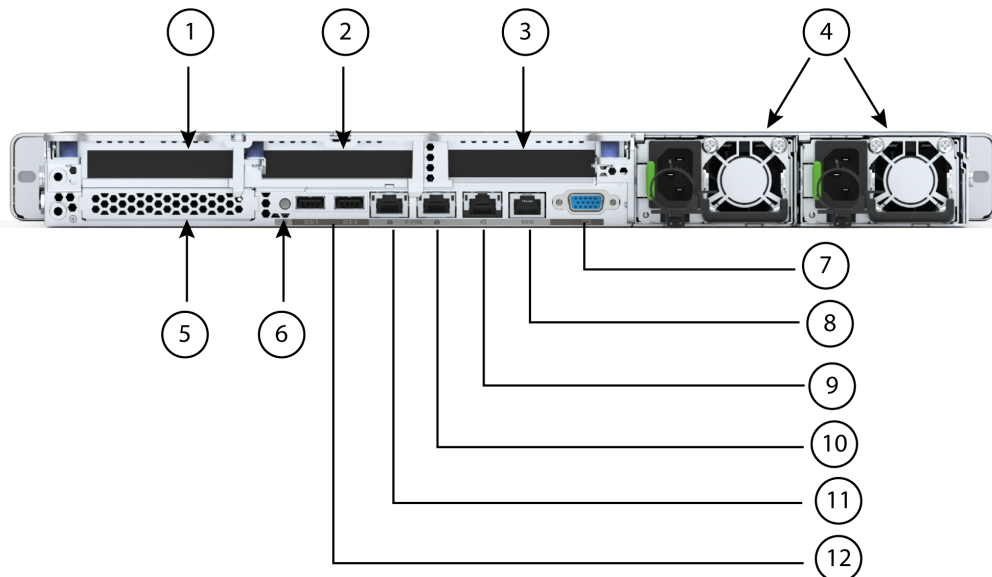
1	Riser 1 (CPU1 control) <ul style="list-style-type: none"> ■ Supports one PCIe slot ■ Slot 1 is half-height, 3/4 length, x16 	7	VGA display port (DB15 connector)
2	Riser 2 blanking panel	8	COM port (RJ45 connector)
3	Riser 3 blanking panel	9	1 GbE dedicated Ethernet management port
4	Power supplies (two, redundant as 1+1)	10 - 11	Dual 1/10 GbE Ethernet ports (LAN1, LAN2) LAN1 is left connector, LAN2 is right connector
5	Modular LAN on motherboard (mLOM) slot	12	USB 3.0 ports (two)
6	System ID pushbutton/LED	-	

Three Half-Height Risers



NOTE: Only 2-CPU servers support all three half-height risers.

Figure 5 Chassis Rear View (three half-height, 3/4 length PCIe risers)



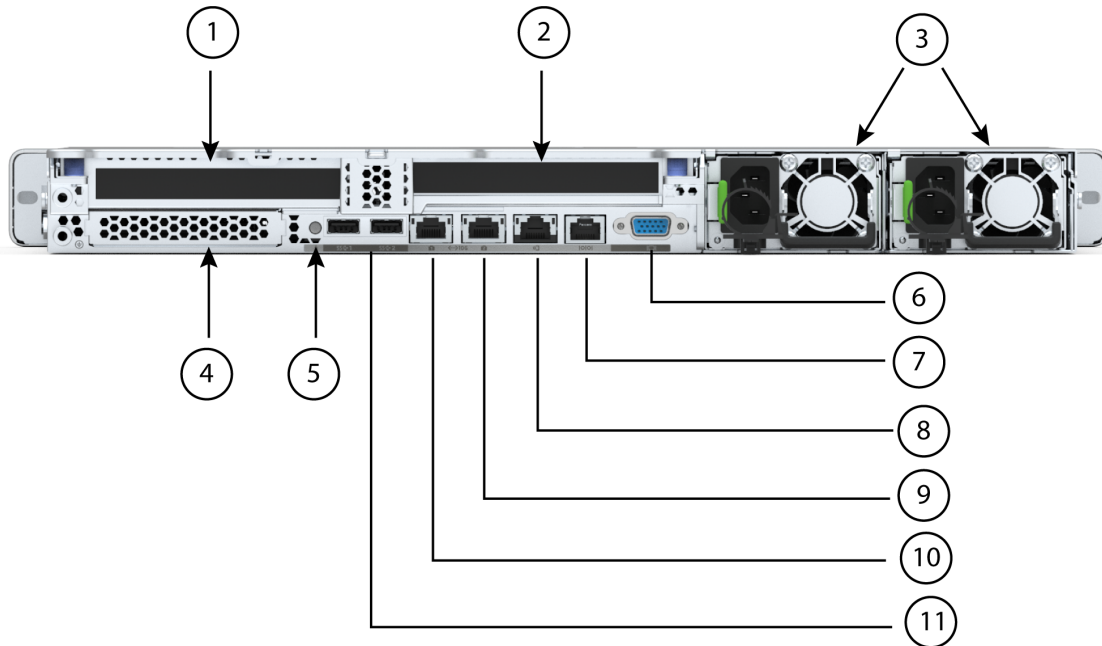
1	Riser 1 (CPU1 control) <ul style="list-style-type: none"> ■ Supports one PCIe slot (slot 1) ■ Slot 1 is half-height, 3/4 length, x16 	7	VGA display port (DB15 connector)
2	Riser 2 (CPU1 control) <ul style="list-style-type: none"> ■ Supports one PCIe slot (slot 2) ■ Slot 2 is half-height, 3/4 length, x16 	8	COM port (RJ45 connector)
3	Riser 3 (CPU2 control) <ul style="list-style-type: none"> ■ Supports one PCIe slot (slot 3) ■ Slot 3 is half-height, 3/4 length, x16 	9	1 GbE dedicated Ethernet management port
4	Power supplies (two, redundant as 1+1)	10 - 11	Dual 1/10 GbE Ethernet ports (LAN1, LAN2) LAN1 is left connector, LAN2 is right connector
5	Modular LAN on motherboard (mLOM) slot	12	USB 3.0 ports (two)
6	System ID pushbutton/LED	-	

Two Full-Height Risers



NOTE: 1-CPU servers support only full-height riser 1 while 2-CPU servers support both full-height risers.

Figure 6 Chassis Rear View (two full-height, 3/4-length PCIe risers)



1	Riser 1 (CPU1 control) <ul style="list-style-type: none"> ■ Plugs into riser 1 motherboard connector ■ Full-height, 3/4 length, x16 	6	VGA display port (DB15 connector)
2	Riser 2 (CPU2 control) <ul style="list-style-type: none"> ■ Plugs into riser 3 motherboard connector ■ Full-height, 3/4 length, x16 	7	COM port (RJ45 connector)
3	Power supplies (two, redundant as 1+1)	8	1 GbE dedicated Ethernet management port
4	Modular LAN on motherboard (mLOM) slot	9 - 10	Dual 1/10 GbE Ethernet ports (LAN1, LAN2) LAN1 is left connector, LAN2 is right connector
5	System ID pushbutton/LED	11	USB 3.0 ports (two)

BASE SERVER NODE STANDARD CAPABILITIES and FEATURES

Table 1 lists the capabilities and features of the base server. Details about how to configure the server for a particular feature or capability (for example, number of processors, disk drives, or amount of memory) are provided in *CONFIGURING the SERVER, page 17*.

Table 1 Capabilities and Features

Capability/Feature	Description
Chassis	One rack unit (1RU) chassis
CPU	One or two 3rd Gen Intel® Xeon® Scalable Processors (Ice Lake)
Chipset	Intel® C621A series chipset
Memory	32 slots for registered DIMMs (RDIMMs) or load-reduced DIMMs (LR DIMMs)
Multi-bit Error Protection	This server supports multi-bit error protection
Video	<p>The Cisco Integrated Management Controller (CIMC) provides video using the Matrox G200e video/graphics controller:</p> <ul style="list-style-type: none"> ■ Integrated 2D graphics core with hardware acceleration ■ Embedded DDR memory interface supports up to 512 MB of addressable memory (8 MB is allocated by default to video memory) ■ Supports display resolutions up to 1920 x 1200 16bpp @ 60Hz ■ High-speed integrated 24-bit RAMDAC ■ Single lane PCI-Express host interface running at Gen 1 speed
Power subsystem	<p>Up to two of the following hot-swappable power supplies:</p> <ul style="list-style-type: none"> ■ 1050 W (AC) ■ 1050 W (DC) ■ 1600 W (AC) ■ 2300 W (AC) <p>One power supply is mandatory; one more can be added for 1 + 1 redundancy</p>
Front Panel	A front panel controller provides status indications and control buttons
ACPI	This server supports the advanced configuration and power interface (ACPI) 6.2 standard
Fans	Eight hot-swappable fans for front-to-rear cooling

Table 1 Capabilities and Features (continued)

Capability/Feature	Description
Expansion slots	<p>Three half-height riser slots:</p> <ul style="list-style-type: none"> ■ Riser 1 (controlled by CPU 1) <ul style="list-style-type: none"> • One x16 PCIe Gen4 Slot, (Cisco VIC), half-height, 3/4 length ■ Riser 2 (controlled by CPU 1) <ul style="list-style-type: none"> • One x16 PCIe Gen4 Slot, half-height, 3/4 length ■ Riser 3 (controlled by CPU 2) <ul style="list-style-type: none"> • One x16 PCIe Gen4 Slot, (Cisco VIC), half-height, 3/4 length <p>Two full-height riser slots:</p> <ul style="list-style-type: none"> ■ Riser 1 (controlled by CPU 1) <ul style="list-style-type: none"> • One x16 PCIe Gen4 Slot, (Cisco VIC), full-height, 3/4 length ■ Riser 2¹ (controlled by CPU 2) <ul style="list-style-type: none"> • One x16 PCIe Gen4 Slot, (Cisco VIC), full-height, 3/4 length
Interfaces	<ul style="list-style-type: none"> ■ Rear panel <ul style="list-style-type: none"> • One 1Gbase-T RJ-45 management port • Two 10Gbase-T LOM ports • One RS-232 serial port (RJ45 connector) • One DB15 VGA connector • Two USB 3.0 port connectors • One flexible modular LAN on motherboard (mLOM) slot that can accommodate various interface cards ■ Front panel <ul style="list-style-type: none"> • One KVM console connector (supplies two USB 2.0 connectors, one VGA DB15 video connector, and one serial port (RS232) RJ45 connector)

Table 1 Capabilities and Features (continued)

Capability/Feature	Description
Internal storage devices	<p><u>Drive storage:</u></p> <p>This orderable in two different nodes:</p> <p>HXAF-E-220M6S (All Flash):</p> <ul style="list-style-type: none"> ■ Up to 10 SFF SAS/SATA solid state drives (SSDs). 10 Drives are used as below: <ul style="list-style-type: none"> • Three to eight SAS/SATA SSD (for capacity) • One SAS/SATA SSD (for caching) • One SAS/SATA SSD (system drive for HXDP operations) <p>HX-E-220M6S (Hybrid):</p> <ul style="list-style-type: none"> ■ Up to 10 SFF SAS/SATA hard drives (HDDs) and SAS/SATA solid state drives (SSDs). 10 Drives are used as below: <ul style="list-style-type: none"> • Three to eight SAS HDD (for capacity) • One SAS/SATA SSD (for caching) • One SAS/SATA SSD (system drive for HXDP operations) <p>NOTE: NVMe and SED drives are not supported with HyperFlex Edge nodes.</p> <p><u>Other storage:</u></p> <ul style="list-style-type: none"> ■ A mini-storage module connector on the motherboard supports a boot-optimized RAID controller carrier that holds up two SATA M.2 SSDs. Mixing different capacity SATA M.2 SSDs is not supported.
Integrated management processor	<p>Baseboard Management Controller (BMC) running Cisco Integrated Management Controller (CIMC) firmware.</p> <p>Depending on your CIMC settings, the CIMC can be accessed through the 1GE dedicated management port, the 1GE/10GE LOM ports, or a Cisco virtual interface card (VIC).</p> <p>CIMC manages certain components within the server, such as the Cisco 12G SAS HBA.</p>
Storage controllers	<ul style="list-style-type: none"> ■ Cisco 12G SAS HBA <ul style="list-style-type: none"> • No RAID support • JBOD/Pass-through Mode support • Supports up to 10 SAS/SATA internal drives
Modular LAN on Motherboard (mLOM)	<p>The dedicated mLOM slot on the motherboard can flexibly accommodate the following cards:</p> <ul style="list-style-type: none"> ■ Cisco Virtual Interface Cards

Table 1 Capabilities and Features (continued)

Capability/Feature	Description
(optional) Additional NICs	<p>PCIe slot 1 and PCIe slot 2 on the motherboard can flexibly accommodate the following cards:</p> <ul style="list-style-type: none"> ■ Intel i350 quad-port 1G copper PCIe ■ Intel X710-DA2 Dual Port 10Gb SFP+ NIC ■ Intel X710 quad-port 10G SFP+ NIC ■ Cisco-Inte X710T2LG 2x10 GbE RJ45 PCIe NIC ■ Cisco-Intel E810XXVDA2 2x25/10 GbE SFP28 PCIe NIC ■ Cisco-Intel E810XXVDA4L 4x25/10 GbE SFP28 PCIe NIC
Intersight	Intersight provides server management capabilities
CIMC	Cisco Integrated Management Controller 4.2(1) or later

Notes:

1. There are three PCIe riser connectors on the motherboard: they are labeled Riser 1, Riser 2, and Riser 3. If the server is configured with three half-height risers, Riser 1 plugs into Riser 1 connector, Riser 2 plugs into Riser 2 connector, and Riser 3 plugs into Riser 3 connector. If the server is configured with two full-height connectors, Riser 1 plugs into Riser 1 connector and Riser 2 plugs into Riser 3 connector. See [Risers, page 78](#) for more details.

CONFIGURING the SERVER

Follow these steps to configure the Cisco HX220 M6 Edge All Flash/Hybrid Server Nodes:

- *STEP 1 VERIFY SERVER SKU, page 18*
- *STEP 2 SELECT RISERS, page 19*
- *STEP 3 SELECT CPU(s), page 20*
- *STEP 4 SELECT MEMORY, page 24*
- *STEP 5 SELECT DRIVE CONTROLLERS, page 29*
- *STEP 6 SELECT DRIVES, page 30*
- *STEP 7 SELECT OPTION CARD(s), page 34*
- *STEP 8 ORDER OPTIONAL PCIe OPTION CARD ACCESSORIES, page 36*
- *STEP 9 SELECT HYPERFLEX EDGE NETWORK TOPOLOGY, page 39*
- *STEP 10 ORDER GPU CARDS (OPTIONAL), page 41*
- *STEP 11 ORDER POWER SUPPLY, page 42*
- *STEP 12 SELECT INPUT POWER CORD(s), page 43*
- *STEP 13 ORDER TOOL-LESS RAIL KIT AND OPTIONAL REVERSIBLE CABLE MANAGEMENT ARM, page 47*
- *STEP 14 ORDER SECURITY DEVICES (OPTIONAL), page 48*
- *STEP 15 SELECT LOCKING SECURITY BEZEL (OPTIONAL), page 49*
- *STEP 16 SELECT HOST OPERATING SYSTEM, page 50*
- *STEP 17 SELECT HYPERFLEX DATA PLATFORM (HXDP) SOFTWARE, page 51*
- *STEP 18 CISCO INTERSIGHT, page 52*
- *STEP 19 SELECT INSTALLATION SERVICE, page 53*
- *SUPPLEMENTAL MATERIAL, page 62*

STEP 1 VERIFY SERVER SKU

Table 2 PID of Major Line Bundle (MLB)

Product ID (PID)	Description
HX-M6-MLB	HX/HXAF/EDG M6 MLB This major line bundle (MLB) consists of the HyperFlex All Flash, Hybrid and Edge Server Nodes, with Intersight and HXDP software spare PIDs.

Verify the product ID (PID) of the server as shown in [Table 3](#).

Table 3 PID of the HX220 M6 Edge All Flash/Hybrid Server Nodes

Product ID (PID)	Description
HXAF-E-220M6S ¹ (All Flash)	Cisco HyperFlex HX220 All Flash Edge server is up to 10 SFF front drives with no CPU, memory, HDD, PCIe cards, or power supply
HX-E-220M6S ¹ (Hybrid)	Cisco HyperFlex HX220 Hybrid Edge server is up to 10 SFF front drives with no CPU, memory, HDD, PCIe cards, or power supply

Notes:

1. This product may not be purchased outside of the approved bundles (must be ordered under the MLB).

The Cisco HX220 M6 Edge All Flash/Hybrid Server Nodes do not include power supplies, CPUs, DIMM, hard disk drives (HDDs), solid-state drives (SSDs) riser 1, riser 2, riser 3, tool-less rail kit, or option cards.

The Cisco HX220 M6 Edge All Flash/Hybrid Server Nodes Requires selection of one HyperFlex network topology based on the top of rack switch configuration and network redundancy requirements. Selecting a topology automatically adds the necessary networking adapters to the configuration.

HX220 M6 Edge All Flash/Hybrid Clusters:

HyperFlex Edge clusters can be configured in 2, 3 or 4 node configurations. Single node clusters and clusters larger than 4 nodes are not supported with HyperFlex Edge.



NOTE:

- Refer to [Cisco HyperFlex Drive Compatibility](#) document for future expansion and drive compatibility within the same node and HX cluster.
- Use the steps on the following pages to configure the server with the components that you want to include.

STEP 2 SELECT RISERS

The riser PIDs are listed in [Table 4](#). Full-height risers cannot be mixed with half-height risers.

Table 4 PIDs of the Risers and Riser Blanks

Product ID (PID)	Description
Included by default (no PID)	Half-height riser 1 (controlled by CPU1) <ul style="list-style-type: none"> ■ One x16 PCIe Gen4 riser, standard PCIe, supports Cisco VIC, half-height, 3/4 length
UCSC-R2R3-C220M6	Kit containing two half-height risers (risers 2 and 3): <ul style="list-style-type: none"> ■ Riser 2: One x16 PCIe Gen4 riser, half-height, 3/4 length ■ Riser 3: One x16 PCIe Gen4 riser, supports Cisco VIC, half-height, 3/4 length
HX-GPURKIT-C220	Kit containing a GPU mounting bracket and the following risers (risers 1 and 2): <ul style="list-style-type: none"> ■ Riser 1: One x16 PCIe Gen4 riser, supports Cisco VIC, full-height, 3/4 length ■ Riser 2: One x16 PCIe Gen4 riser, supports Cisco VIC, full-height, 3/4 length
UCSC-FBRS-C220M6	Riser 2 and Riser 3 blank panels



NOTE:

- If you do not order any risers, the system defaults to automatically include the one half-height riser shown in the table.
- If you order PID UCSC-R2R3-C220M6, the system includes three half-height risers (riser 1, riser 2, and riser 3).
- If you order PID HX-GPURKIT-C220, the system includes two full-height risers (riser 1 and riser 2)

Approved Configurations

- (1) Half-height riser 1 only (controlled from CPU1). This is the default and is automatically included.
- (2) Half-height risers 1, 2, and 3 only. Risers 1 and 2 are controlled from CPU1 and Riser 3 is controlled from CPU2.
- (3) Full-height risers 1 and 2 only. Riser 1 is controlled from CPU1 and riser 2 is controlled from CPU2.

STEP 3 SELECT CPU(s)

The standard CPU features are:

- 3rd Gen Intel® Xeon® Scalable Processors (Ice Lake)
- Intel® C621A series chipset
- Cache size of up to 60 MB
- Up to 40 cores

Select CPUs

The available CPUs are listed in [Table 5](#)

Table 5 Available CPUs

Product ID (PID)	Clock Freq (GHz)	Power (W)	Cache Size (MB)	Cores	UPI ¹ Links (GT/s)	Highest DDR4 DIMM Clock Support (MHz) ²
8000 Series Processors						
HX-CPU-I8380	2.3	270	60	40	3 at 11.2	3200
HX-CPU-I8368	2.4	270	57	38	3 at 11.2	3200
HX-CPU-I8362	2.8	265	48	32	3 at 11.2	3200
HX-CPU-I8360Y	2.4	250	54	36	3 at 11.2	3200
HX-CPU-I8358P	2.6	240	48	32	3 at 11.2	3200
HX-CPU-I8358	2.6	250	48	32	3 at 11.2	3200
HX-CPU-I8352Y	2.2	205	48	32	3 at 11.2	3200
HX-CPU-I8352V	2.1	195	54	36	3 at 11.2	2933
HX-CPU-I8352M	2.3	185	48	32	3 at 11.2	2933
HX-CPU-I8352S	2.2	205	48	32	3 at 11.2	3200
HX-CPU-I8351N ³	2.4	225	54	36	0	2933
6000 Series Processors						
HX-CPU-I6354	3.0	205	39	18	3 at 11.2	3200
HX-CPU-I6348	2.6	235	42	28	3 at 11.2	3200
HX-CPU-I6346	3.1	205	36	16	3 at 11.2	3200
HX-CPU-I6342	2.8	230	36	24	3 at 11.2	3200
HX-CPU-I6338N	2.2	185	48	32	3 at 11.2	2666
HX-CPU-I6338T	2.1	165	36	24	3 at 11.2	3200
HX-CPU-I6338	2.0	205	48	32	3 at 11.2	3200
HX-CPU-I6336Y	2.4	185	36	24	3 at 11.2	3200
HX-CPU-I6334	3.6	165	18	8	3 at 11.2	3200
HX-CPU-I6330N	2.2	165	42	28	3 at 11.2	2666
HX-CPU-I6330	2.0	205	42	28	3 at 11.2	2933

Table 5 Available CPUs

Product ID (PID)	Clock Freq (GHz)	Power (W)	Cache Size (MB)	Cores	UPI ¹ Links (GT/s)	Highest DDR4 DIMM Clock Support (MHz) ²
HX-CPU-I6326	2.9	185	24	16	3 at 11.2	3200
HX-CPU-I6314U ⁴	2.3	205	48	32	0	3200
HX-CPU-I6312U ⁵	2.4	185	36	24	0	3200
5000 Series Processors						
HX-CPU-I5320T	2.3	150	30	20	3 at 11.2	2933
HX-CPU-I5320	2.2	185	39	26	3 at 11.2	2933
HX-CPU-I5318N	2.1	150	36	24	3 at 11.2	2666
HX-CPU-I5318S	2.1	165	36	24	3 at 11.2	2933
HX-CPU-I5318Y	2.1	165	36	24	3 at 11.2	2933
HX-CPU-I5317	3.0	150	18	12	3 at 11.2	2933
HX-CPU-I5315Y	3.2	140	12	8	3 at 11.2	2933
4000 Series Processors						
HX-CPU-I4316	2.3	150	30	20	2 at 10.4	2666
HX-CPU-I4314	2.4	135	24	16	2 at 10.4	2666
HX-CPU-I4310T	2.3	105	15	10	2 at 10.4	2666
HX-CPU-I4310	2.1	120	18	12	2 at 10.4	2666
HX-CPU-I4309Y	2.8	105	12	8	2 at 10.4	2666

Notes:

1. UPI = Ultra Path Interconnect.
2. If higher or lower speed DIMMs are selected than what is shown in [Table 7 on page 25](#) for a given CPU speed, the DIMMs will be clocked at the lowest common denominator of CPU clock and DIMM clock.
3. The maximum number of HX-CPU-I8351N CPUs is one
4. The maximum number of HX-CPU-I6314U CPUs is one
5. The maximum number of HX-CPU-I6312U CPUs is one



CAUTION: For systems configured with 3rd Gen Intel® Xeon® Scalable Processors (Ice Lake) processors operating above 28° C [82.4° F], a fan fault or executing workloads with extensive use of heavy instructions sets such as Intel® Advanced Vector Extensions 512 (Intel® AVX-512), may assert thermal and/or performance faults with an associated event recorded in the System Event Log (SEL).

Table 6 CPU Suffixes

CPU Suffix	Description	Features
N	Networking Optimized	Optimized for use in networking applications like L3 forwarding, 5G UPF, OVS DPDK, VPP FIB router, VPP IPsec, web server/NGINX, vEPC, vBNG, and vCMTS. SKUs have higher base frequency with lower TDPs to enable best performance/Watt.
P	Cloud Optimized	SKU specifically designed for cloud IaaS environments to deliver higher frequencies at constrained TDPs.
V	Cloud Optimized	SKUs specifically designed for cloud environments to deliver high rack density and maximize VM/cores per TCO\$.
T	High T case	SKUs designed for Network Environment-Building System (NEBS) environments.
U	1-socket Optimized	Optimized for targeted platforms adequately served by the cores, memory bandwidth and IO capacity available from a single processor.
S	Max SGX enclave size	Supports Max SGX enclave size (512GB) to enhance and protect the most sensitive portions of a workload or service.
M	Media and AI optimized	Media, AI and HPC Segment Optimized for lower TDP & higher frequencies delivering better perf/w.
Y	Speed Select - Performance Profile	Intel® Speed Select Technology provides the ability to set a guaranteed base frequency for a specific number of cores, and assign this performance profile to a specific application/workload to guarantee performance requirements. It also provides the ability to configure settings during runtime and provide additional frequency profile configuration opportunities.

Approved Configurations

(1) DIMM only configurations:

- Choose one or two identical CPUs listed in [Table 5 Available CPUs, page 20](#)

(2) One-CPU Configuration:

- Choose one CPU from any one of the rows of [Table 5 Available CPUs, page 20](#)
- For 1-CPU systems, the server is shipped by default with riser 1 only
- HX Edge supports single socket for 10 core and above

(3) Two-CPU Configuration:

- Choose two identical CPUs from any one of the rows of [Table 5 Available CPUs, page 20](#)
- For 2-CPU systems, the server is shipped:
 - With half-height risers 1, 2, and 3 by default, or
 - With full-height risers 1 and 2 if you order a non-T4 GPU with more than 75 W power dissipation



NOTE:

- You cannot have two I8351N or two I6314U or I6312U CPUs in a two-CPU configuration.
 - If you configure a server with one I8351N CPU or one I6314U CPU or one I6312U CPU you cannot later upgrade to a 2-CPU system with two of these CPUs.
-

Caveats

- The selection of 1 or 2 CPUs depends on the desired server functionality. See the following sections:
 - [STEP 4 SELECT MEMORY, page 24](#)
 - [STEP 5 SELECT DRIVE CONTROLLERS, page 29](#)
 - [STEP 6 SELECT DRIVES, page 30](#)
 - [STEP 7 SELECT OPTION CARD\(s\), page 34](#)

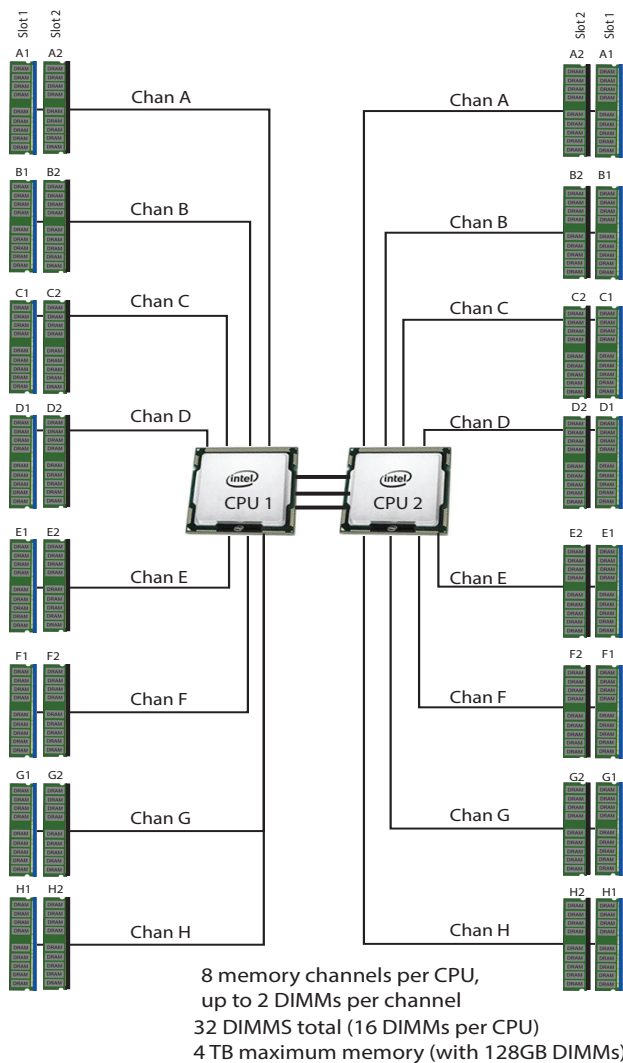
STEP 4 SELECT MEMORY

The available memory main characteristics for the HX220 M6 Edge All Flash/Hybrid Server Nodes are as follows:

- Clock speed: 3200 MHz
- Ranks per DIMM: 1, 2, 4, or 8
- Operational voltage: 1.2 V
- Registered ECC DDR4 DIMMS (RDIMMs), Load-reduced DIMMs (LR DIMMs)

Memory is organized with eight memory channels per CPU, with up to two DIMMs per channel, as shown in [Figure 7](#).

Figure 7 HX220 M6 Edge All Flash/Hybrid Server Nodes Memory Organization



Select DIMMs

The supported memory DIMMs are listed in [Table 7](#).

Table 7 Available DDR4 DIMMs

Product ID (PID)	PID Description	Voltage	Ranks /DIMM
3200-MHz DIMMs			
HX-MR-X16G1RW	16 GB RDIMM SRx4 3200 (8Gb)	1.2 V	1
HX-MR-X32G1RW	32 GB RDIMM SRx4 3200 (16Gb)	1.2 V	1
HX-MR-X32G2RW	32 GB RDIMM DRx4 3200 (8Gb)	1.2 V	2
HX-MR-X64G2RW	64 GB RDIMM DRx4 3200 (16Gb)	1.2 V	2
HX-ML-128G4RW	128 GB LRDIMM QRx4 3200 (16Gb) (non-3DS)	1.2 V	4
DIMM Blank¹			
UCS-DIMM-BLK	UCS DIMM Blank		

Notes:

1. Any empty DIMM slot must be populated with a DIMM blank to maintain proper cooling airflow.



NOTE:

- System performance is optimized when the DIMM type and quantity are equal for both CPUs, and when all channels are filled equally across the CPUs in the server.
- The selected DIMMs must be all of same type and number of DIMMs must be equal for both CPUs.
- HyperFlex Data Platform reserves memory for each controller VM. Refer to the <[Install Guide](#)> for reservation details.
- The memory mirroring feature is not supported with HyperFlex nodes.

Memory Configurations, Features

System speed is dependent on the CPU DIMM speed support. Refer to [Available CPUs, page 20](#) for DIMM speeds.

- The server supports the following memory reliability, availability, and serviceability (RAS) BIOS options (only one option can be chosen):
 - Adaptive Double Device Data Correction (ADDDC) (default).
 - Maximum performance.
- For best performance, observe the following:
 - When one DIMM is used, it must be populated in DIMM slot 1 (farthest away from the CPU) of a given channel.
 - When single- or dual-rank DIMMs are populated in two DIMMs per channel (2DPC) configurations, always populate the higher number rank DIMM first (starting from the farthest slot). For a 2DPC example, first populate with dual-rank DIMMs in DIMM slot 1. Then populate single-rank DIMMs in DIMM 2 slot.
- DIMMs for CPU 1 and CPU 2 (when populated) must always be configured identically.
- Cisco memory from previous generation servers (DDR3 and DDR4) is not compatible with the server.
- Memory can be configured in any number of DIMMs as pairs, although for optimal performance, see the following document:

[HX M6 Memory Guide](#)

Approved Configurations

(1) 1-CPU configuration

- Select from 1 to 16 DIMMs:
 - 1, 2, 4, 6, 8, 12, or 16 DIMMs allowed
 - 3, 5, 7, 9, 10, 11, 13, 14, 15 DIMMs not allowed
 - DIMMs for both CPUs must be configured identically.

The DIMMs will be placed by the factory as shown in the following tables.

#DIMMs	CPU 1 DIMM Placement in Channels (for identically ranked DIMMs)
1	(A1)
2	(A1, E1)
4	(A1, C1); (E1, G1)
6	(A1, C1); (D1, E1); (G1, H1)
8	(A1, C1); (D1, E1); (G1, H1); (B1, F1)
12	(A1, C1); (D1, E1); (G1, H1); (A2, C2); (D2, E2); (G2, H2)
16	(A1, B1); (C1, D1); (E1, F1); (G1, H1); (A2, B2); (C2, D2); (E2, F2); (G2, H2)

(2) 2-CPU configuration

- Select from 1 to 16 DIMMs per CPU:
 - 1, 2, 4, 6, 8, 12, or 16 DIMMs allowed
 - 3, 5, 7, 9, 10, 11, 13, 14, 15 DIMMs not allowed
 - DIMMs for both CPUs must be configured identically.

The DIMMs will be placed by the factory as shown in the following tables.

#DIMMs	CPU 1 DIMM Placement in Channels (for identically ranked DIMMs)	CPU 2 DIMM Placement in Channels (for identically ranked DIMMs)
1	(A1)	(A1)
2	(A1, E1)	(A1, E1)
4	(A1, C1); (E1, G1)	(A1, C1); (E1, G1)
6	(A1, C1); (D1, E1); (G1, H1)	(A1, C1); (D1, E1); (G1, H1)
8	(A1, C1); (D1, E1); (G1, H1); (B1, F1)	(A1, C1); (D1, E1); (G1, H1); (B1, F1)
12	(A1, C1); (D1, E1); (G1, H1); (A2, C2); (D2, E2); (G2, H2)	(A1, C1); (D1, E1); (G1, H1); (A2, C2); (D2, E2); (G2, H2)
16	(A1, B1); (C1, D1); (E1, F1); (G1, H1); (A2, B2); (C2, D2); (E2, F2); (G2, H2)	(A1, B1); (C1, D1); (E1, F1); (G1, H1); (A2, B2); (C2, D2); (E2, F2); (G2, H2)

Table 8 3200-MHz DIMMs Memory Speeds with Different Intel® Xeon® Ice Lake® Processors

DIMM and CPU Frequencies (MHz)	DPC	LRDIMM (4Rx4)- 128 GB (MHz)	RDIMM (2Rx4) - 64 GB (MHz)	RDIMM (2Rx4) - 32 GB (MHz)	RDIMM (1Rx4) - 16 GB (MHz)
		1.2 V	1.2 V	1.2 V	1.2 V
DIMM = 3200 CPU = 3200	1DPC	3200	3200	3200	3200
	2DPC	3200	3200	3200	3200
DIMM = 3200 CPU = 2933	1DPC	2933	2933	2933	2933
	2DPC	2933	2933	2933	2933
DIMM = 3200 CPU = 2666	1DPC	2666	2666	2666	2666
	2DPC	2666	2666	2666	2666

DIMM Rules

- Allowed DIMM count for 1 CPU:
 - Minimum DIMM count = 1; Maximum DIMM count = 16
 - 1, 2, 4, 6, 8, 12, or 16 DIMMs allowed
 - 3, 5, 7, 9, 10, 11, 13, 14, or 15 DIMMs not allowed.
- Allowed DIMM count for 2 CPUs:
 - Minimum DIMM count = 2; Maximum DIMM count = 32
 - 2, 4, 8, 12, 16, 24, or 32 DIMMs allowed
 - 6, 10, 14, 18, 20, 22, 26, 28, or 30 DIMMs not allowed.
- DIMM Mixing:
 - Mixing different types of DIMM (RDIMM with LRDIMM) is not supported within a server.
 - Mixing RDIMM with RDIMM types is allowed if they are mixed in same quantities, in a balanced configuration.
 - Mixing 16GB, 32GB, and 64GB RDIMMs is supported.
 - 128GB LRDIMMs cannot be mixed with other RDIMMs.



NOTE:

- See the detailed mixing DIMM configurations at the following link

[HX M6 Memory Guide](#)

STEP 5 SELECT DRIVE CONTROLLERS

The following list summarizes how drives are controlled on the server:

- SAS/SATA drives are controlled through a Cisco 12G SAS pass-through HBA.
- PCIe drives are controlled directly from the CPUs.

Cisco 12G SAS HBA

This HBA supports up to 10 SAS or SATA drives operating at 3 Gbs, 6 Gbs, and 12 Gbs. It supports JBOD or pass-through mode (not RAID) and plugs directly into a dedicated slot.

Select Drive Controller Options

Select the following:

- Cisco 12G SAS HBA (see [Table 9](#))

Table 9 Hardware Controller Options

Product ID (PID)	PID Description
Controllers for Internal Drives	
Note that if the following Cisco 12G SAS HBA is selected, it is factory-installed in a dedicated slot.	
HX-SAS-220M6	Cisco 12G SAS HBA <ul style="list-style-type: none"> ■ No RAID support ■ Supports up to 10 internal SAS HDDs and SAS/SATA SSDs ■ Supports JBOD or pass-through mode

Approved Configurations

- The Cisco 12G SAS HBA supports up to 10 internal drives with JBOD support.

STEP 6 SELECT DRIVES

The standard disk drive features are:

- 2.5-inch small form factor
- Hot-pluggable
- Drives come mounted in sleds

Select Drives - HXAF-E-220M6S (All Flash)

The available drives are listed in [Table 10](#).

Table 10 Available Hot-Pluggable Sled-Mounted Drive

Product ID (PID)	PID Description	Drive Type	Capacity
Front Capacity Drive			
HX-SD19T61X-EV	1.9TB 2.5 inch Enterprise Value 6G SATA SSD	SATA	1.9 TB
HX-SD38T61X-EV	3.8TB 2.5 inch Enterprise Value 6G SATA SSD	SATA	3.8 TB
HX-SD76T61X-EV	7.6TB 2.5 inch Enterprise Value 6G SATA SSD	SATA	7.6 TB
HX-SD960G6S1X-EV	960GB 2.5 inch Enterprise Value 6G SATA SSD (HyperFlex Release 5.0(1c) and later)	SATA	960 GB
HX-SD19T6S1X-EV	1.9TB 2.5 inch Enterprise Value 6G SATA SSD (HyperFlex Release 5.0(1c) and later)	SATA	1.9 TB
HX-SD38T6S1X-EV	3.8TB 2.5 inch Enterprise Value 6G SATA SSD (HyperFlex Release 5.0(1c) and later)	SATA	3.8 TB
HX-SD76T6S1X-EV	7.6TB 2.5 inch Enterprise Value 6G SATA SSD (HyperFlex Release 5.0(1c) and later)	SATA	7.6 TB
Front Cache Drive			
HX-SD800GK3X-EP	800GB 2.5in Enterprise Performance 12G SAS SSD(3X endurance)	SAS	800 GB
Front System Drive			
HX-SD240GM1X-EV	240GB 2.5 inch Enterprise Value 6G SATA SSD	SATA	240 GB
Boot Drive			
HX-M2-240GB	240GB SATA M.2	SATA	240 GB
HX-M2-HWRAID	Cisco Boot optimized M.2 Raid controller		
<p>NOTE: Cisco uses solid state drives (SSDs) from a number of vendors. All solid state drives (SSDs) are subject to physical write limits and have varying maximum usage limitation specifications set by the manufacturer. Cisco will not replace any solid state drives (SSDs) that have exceeded any maximum usage specifications set by Cisco or the manufacturer, as determined solely by Cisco.</p>			

Approved Configurations

- Three to eight capacity drives

**NOTE:**

- A minimum of 3 capacity drives is supported for HX Edge configuration.
- For cluster scale related information please see the product [release notes](#)

-
- One cache drive
 - One system drive
 - One boot drive

**NOTE:**

- Order two identical M.2 SATA SSDs for the boot-optimized RAID controller. You cannot mix M.2 SATA SSD capacities
- It is recommended that M.2 SATA SSDs be used as boot-only devices.
- The Boot-Optimized RAID controller supports VMWare, Windows and Linux Operating Systems.
- CIMC/UCSM is supported for configuring of volumes and monitoring of the controller and installed SATA M.2 drives.
- The minimum version of Cisco IMC and Cisco UCS Manager that supports this controller is 4.2(1) and later. The name of the controller in the software is MSTOR-RAID.
- The SATA M.2 drives can boot in UEFI mode only. Legacy boot mode is not supported.
- Hot-plug replacement is not supported. The server must be powered off.
- The boot-optimized RAID controller is supported when the server is used as a compute node in HyperFlex configurations.
- See [Figure 21 on page 77](#) for the location of the module connector on the motherboard. This connector accepts the boot-optimized RAID controller.

Caveats

- Self Encrypting Drives (SEDs) and NVMe drives are not supported for HX Edge configurations.

Select Drives - HX-E-220M6S (Hybrid)

The available drives are listed in [Table 11](#)

Table 11 Available Hot-Pluggable Sled-Mounted Drives

Product ID (PID)	PID Description	Drive Type	Capacity
Front Capacity Drive			
HX-HD12TB10K12N	1.2 TB 12G SAS 10K RPM SFF HDD	SAS	1.2 TB
HX-HD18TB10K4KN	1.8TB 12G SAS 10K RPM SFF HDD (4K)	SAS	1.8 TB
HX-HD24TB10K4KN	2.4 TB 12G SAS 10K RPM SFF HDD (4K)	SAS	2.4 TB
Front Cache Drive			
HX-SD480G63X-EP	480GB 2.5in Enterprise Performance 6G SATA SSD(3X endurance)	SATA	480 GB
Front System Drive			
HX-SD240GM1X-EV	240GB 2.5 inch Enterprise Value 6G SATA SSD	SATA	240 GB
Boot Drive			
HX-M2-240GB	240GB SATA M.2	SATA	240 GB
HX-M2-HWRAID	Cisco Boot optimized M.2 Raid controller		
<p>NOTE: Cisco uses solid state drives (SSDs) from a number of vendors. All solid state drives (SSDs) are subject to physical write limits and have varying maximum usage limitation specifications set by the manufacturer. Cisco will not replace any solid state drives (SSDs) that have exceeded any maximum usage specifications set by Cisco or the manufacturer, as determined solely by Cisco.</p>			

Approved Configurations

- Three to eight capacity drives

**NOTE:**

- A minimum of 3 capacity drives is supported for HX Edge configuration.
- For cluster scale related information please see the product [release notes](#)

-
- One cache drive
 - One system drive
 - One boot drive

**NOTE:**

- Order two identical M.2 SATA SSDs for the boot-optimized RAID controller. You cannot mix M.2 SATA SSD capacities
- It is recommended that M.2 SATA SSDs be used as boot-only devices.
- The Boot-Optimized RAID controller supports VMWare, Windows and Linux Operating Systems.
- CIMC/UCSM is supported for configuring of volumes and monitoring of the controller and installed SATA M.2 drives.
- The minimum version of Cisco IMC and Cisco UCS Manager that supports this controller is 4.2(1) and later. The name of the controller in the software is MSTOR-RAID
- The SATA M.2 drives can boot in UEFI mode only. Legacy boot mode is not supported.
- Hot-plug replacement is not supported. The server must be powered off.
- The boot-optimized RAID controller is supported when the server is used as a compute node in HyperFlex configurations.
- See [Figure 21 on page 77](#) for the location of the module connector on the motherboard. This connector accepts the boot-optimized RAID controller.

Caveats

- Self Encrypting Drives (SEDs) and NVMe drives are not supported for HX Edge configurations.

STEP 7 SELECT OPTION CARD(s)

The standard PCIe card offerings are:

- Modular LAN on Motherboard (mLOM)
- Network Interface Cards (NICs)

Select Option Cards

The available option cards are listed in [Table 12](#).

Table 12 Available PCIe Option Cards

Product ID (PID)	PID Description	Location	Card Size ¹
Modular LAN on Motherboard (mLOM)			
HX-M-V25-04 ²	Cisco UCS VIC 1467 quad port 10/25G SFP28 mLOM	mLOM	HHHL, SS
Network Interface Cards (NICs)			
1 Gb NICs			
HX-PCIE-IRJ45 ³	Intel i350 Quad Port 1Gb Adapter	Riser 1, 2, or 3	HHHL, SS
10 Gb NICs			
HX-PCIE-ID10GF	Intel X710-DA2 Dual Port 10Gb SFP+ NIC	Riser 1, 2, or 3	HHHL, SS
HX-PCIE-IQ10GF	Intel X710 Quad Port 10G SFP+ NIC	Riser 1, 2, or 3	HHHL, SS
HX-P-ID10GC	Cisco-Intel X710T2LG 2x10 GbE RJ45 PCIe NIC	Riser 1, 2, or 3	HHHL, SS
25 Gb NICs			
HX-P-I8D25GF	Cisco-Intel E810CQDA2 2x100 GbE QSFP28 PCIe NIC	Riser 1, 2, or 3	HHHL, SS
HX-P-I8Q25GF ⁴	Cisco-Intel E810XXVDA4L 4x25/10 GbE SFP28 PCIe NIC	Riser 1 or 2	FHHL, SS

Notes:

1. HHHL = half-height, half-length; FHHL = full-height, half-length; SS = single-slot; DS = double-slot.
2. This PID is auto included with the selection of TOPO 4.
3. This PID is auto included with the selection of TOPO 2.
4. If HX-P-I8Q25GF selected then HX-GPURKIT-C220 must be selected



NOTE: Use of 10GE PCI card is not allowed with 6300 Series FI.

Approved Configurations

(1) 1-CPU Systems

- You can select up to one of the PCIe option cards listed in [Table 12](#) to be installed in Riser 1. Riser 1 is controlled by CPU 1. Risers 2 and 3 are not installed in a 1-CPU system.
- One additional PCIe card may be added with HX-E-TOPO4 or HX-E-TOPO3 selections.
- No additional PCIe cards may be added with HX-E-TOPO2 selection.

(2) 2-CPU Systems

- You can select up to two of the PCIe option cards listed in [Table 12](#) for a two-riser system (Riser 1 and Riser 2 installed) and up to three of the PCIe option cards for a three-riser system (Riser 1, Riser 2, and Riser 3 installed). Risers 1 and 2 are controlled by CPU 1 and riser 3 is controlled by CPU 2.
- Three additional PCIe cards may be added with HX-E-TOPO4 or HX-E-TOPO3 selections.
- Two additional PCIe card may be added with HX-E-TOPO2 selection.

Caveats

- For 1-CPU systems:
 - Only Riser 1 is supported.
- For 2-CPU systems:
 - All risers (Risers 1, 2, and 3) are supported.
- To help ensure that your operating system is compatible with the card you have selected, or to see additional cards that have been qualified to work with the HX220 M6 Edge All Flash/Hybrid Server Nodes, but are not sold on the Cisco pricelist, check the Hardware Compatibility List at this URL:
http://www.cisco.com/en/US/products/ps10477/prod_technical_reference_list.html

STEP 8 ORDER OPTIONAL PCIe OPTION CARD ACCESSORIES

- For list of supported optics and cables for VIC 1467, refer to the VIC 1400 series data sheets at the following link:
 - <https://www.cisco.com/c/en/us/products/collateral/interfaces-modules/unified-computing-system-adapters/datasheet-c78-741130.html>

Select

- NIC Interoperability with Cisco Cables/Optics (*Table 13 & Table 14 on page 37*).
- NIC Interoperability with Intel Cables/Optics (*Table 15 on page 38*).

Table 13 10G NIC Interoperability with Cisco Cables/Optics

Cisco Product ID (PID)	HX- PCIE-ID10GF	HX- PCIE-IQ10GF	HX-P-ID10GC
Cisco Direct Attach Cables (DAC)			
SFP-H10GB-CU1M	✓	✓	
SFP-H10GB-CU3M	✓	✓	
SFP-H10GB-CU5M	✓	✓	
SFP-H10GB-ACU7M	✓	✓	
SFP-H10GB-ACU10M	✓	✓	
SFP-10G-AOC1M	✓	✓	
SFP-10G-AOC2M	✓	✓	
SFP-10G-AOC3M	✓	✓	
SFP-10G-AOC5M	✓	✓	
SFP-10G-AOC7M	✓	✓	
SFP-10G-AOC10M	✓	✓	
UTP/RJ45			✓
Cisco Optical Transceivers			
SFP-10G-SR	✓	✓	
SFP-10G-SR-S	✓	✓	
SFP-10G-LR	✓	✓	
SFP-10G-LR-S	✓	✓	
GLC-SX-MMD	✓	✓	

Table 14 25G NIC Interoperability with Cisco Cables/Optics

Cisco Product ID (PID)	HX-P-I8Q25GF	HX-P-I8D25GF
Cisco Direct Attach Cables (DAC)		
SFP-H10GB-CU1M	✓	✓
SFP-H10GB-CU3M	✓	✓
SFP-H10GB-CU4M		
SFP-H10GB-CU5M	✓	✓
SFP-H10GB-ACU7M		
SFP-H10GB-ACU10M		
SFP-10G-AOC7M	✓	✓
SFP-10G-AOC10M		
SFP-H25G-AOC10M	✓	✓
SFP-25G-AOC5M		
SFP-25G-AOC7M		
QSFP-4SFP25G-CU2M	✓	✓
SFP-H25G-CU1M	✓	✓
SFP-H25G-CU2M	✓	✓
SFP-H25G-CU2.5M		
SFP-H25G-CU3M	✓	✓
SFP-H25G-CU4M		
SFP-H25G-CU5M	✓	✓
Cisco Optical Transceivers		
SFP-10G-SR	✓	✓
SFP-10G-SR-S	✓	✓
SFP-10G-LR	✓	✓
SFP-25G-SR-S	✓	✓
SFP-10/25G-LR-S	✓	✓
SFP-10/25G-CSR-S	✓	✓

Table 15 NIC Interoperability with Intel Cables/Optics

Intel Product ID (PID)	HX-PCIE-ID10GF	HX-PCIE-IQ10GF
Intel Direct Attach Cables (DACs)		
XDACBL1M	✓	✓
XDACBL3M	✓	✓
XDACBL5M	✓	✓
Intel Optical Transceivers		
E10GSFPSR	✓	✓
E10GSFPLR	✓	✓

The information in the preceding tables was compiled from testing conducted by Cisco Transceiver Module Group (TMG) and vendors. The latest compatibility with optical modules and DACs can be found at <https://tmgmatrix.cisco.com/>.

Refer to the these links for additional connectivity options:

Intel:	Marvell/Qlogic:	Mellanox:
Product Guide	41000 series Interoperability Matrix	Firmware Release Notes
Speed White Paper	45000 series Interoperability Matrix	

STEP 9 SELECT HYPERFLEX EDGE NETWORK TOPOLOGY

HyperFlex Edge utilizes the existing top of rack (ToR) switches available in the customer environment.

Many topologies are supported to ensure the right fit for many environments. HyperFlex Edge supports single and dual switch topologies, depending on the level of high availability required. See the [SUPPLEMENTAL MATERIAL, page 62](#) for more details on each topology option.

Select one network topology from the options listed in [Table 16](#).

Table 16 Edge network category

Product ID (PID)	PID Description
HX-E-TOPO4	10/25 GbE Single or Dual Switch (2, 3, or 4 node)
HX-E-TOPO3	1GbE Single Switch (3 or 4 node only)
HX-E-TOPO2	1GbE Dual Switch (3 or 4 node), 1GbE Dual or Single (2 node)
Connectivity Mode	
HX-E-TOPO5 ^{1,2,3}	Hyperflex NIC Connectivity Mode

Notes:

1. Starting with HyperFlex 5.0(2a), the TOPO5 option is supported
2. Minimum 4 NIC Ports required, If NIC connectivity mode is selected, cannot select Riser1 HH X16 Slot or Riser2 HH X8 Slot Options
3. Refer to [Table 16](#) for the list of available cards for the TOPO5 (NIC connectivity mode)

Table 17 Available Cards for the HyperFlex NIC Connectivity Mode

Product ID (PID)	Description
HyperFlex NIC Connectivity Mode	
R2 Slot 4 x8 PCIe NIC	
HX-PCIE-ID10GF	Intel X710 dual-port 10G SFP+
HX-PCIE-IQ10GF	Intel X710 quad-port 10G SFP+ NIC
HX-P-I8D25GF	Cisco-Intel E810XXVDA2 2x25/10 GbE SFP28 PCIe NIC
R2 Slot 6 x8 PCIe NIC	
HX-PCIE-ID10GF	Intel X710 dual-port 10G SFP+
HX-PCIE-IQ10GF	Intel X710 quad-port 10G SFP+ NIC
HX-P-I8D25GF	Cisco-Intel E810XXVDA2 2x25/10 GbE SFP28 PCIe NIC

**NOTE:**

- A topology selection is required. Intel NIC adapters in [STEP 7](#) are used by guest VMs/applications only. These adapters may not be substituted for the adapters automatically included when selecting a topology.
 - Selecting **HX-E-TOPO4** will include the Cisco UCS VIC 1467 quad port 25G SFP28 mLOM card (**HX-M-V25-04**) for 10/25GE topologies. Two ports on the 10GE are used for HyperFlex functions. The remaining two ports may be used by applications after the HyperFlex deployment is completed.
 - Selecting **HX-E-TOPO2** will include the Intel i350 quad port PCIe NIC for 1GE topologies. Two ports on the NIC are used for HyperFlex functions. The remaining two ports may be used by applications after the HyperFlex deployment is completed.
 - Cisco strongly recommends **HX-E-TOPO4** for all new deployments for the following reasons:
 - Higher storage performance
 - Expansion ready - Ability to support node expansion in a future HyperFlex Data Platform software release.
 - Investment protection provides up to 100GE of theoretical throughput per server.
 - Leaves PCIe slots free for accessories
 - Starting with HyperFlex 5.0(2a), the **TOPO5** option is supported
 - For full details see the [HyperFlex Networking Topologies Tech Note](#).
-

STEP 10 ORDER GPU CARDS (OPTIONAL)

Select GPU Options

The available GPU PCIe options are listed in [Table 18](#).

Table 18 Available PCIe GPU Cards¹

Product ID (PID)	PID Description	Card Size	Maximum cards Per node
HX-GPU-T4-16	NVIDIA T4 PCIE 75W 16GB	HHHL, single-wide	3

Notes:

1. Refer to https://www.cisco.com/content/en/us/td/docs/unified_computing/ucs/c/hw/c220m6/install/c220m6.html for more details.



NOTE:

- All GPU cards must be procured from Cisco as there is a unique SBIOS ID required by CIMC and UCSM.

Caveats

- GPUs cannot be mixed.
- For the maximum of 3x T4 GPUs, the 3x half slot riser should be selected.
- A GPU can be installed in either full-height PCIe riser 1 or 2 (or both) or can be installed in three half-height riser 1, 2, or 3.

STEP 11 ORDER POWER SUPPLY

Power supplies share a common electrical and physical design that allows for hot-plug and tool-less installation into M6 HX servers. Each power supply is certified for high-efficiency operation and offers multiple power output options. This allows users to “right-size” based on server configuration, which improves power efficiency, lowers overall energy costs and avoids stranded capacity in the data center. Use the power calculator at the following link to determine the needed power based on the options chosen (CPUs, drives, memory, and so on):

<http://ucspowercalc.cisco.com>



WARNING:

- Starting 1st January 2024, only Titanium rated PSUs are allowed to be shipped to European Union (EU), European Economic Area (EEA), United Kingdom (UK), Switzerland and other countries that adopted Lot 9 Regulation.
- DC PSUs are not impacted by Lot 9 Regulation and are EU/UK Lot 9 compliant

Table 19 Power Supply

Product ID (PID)	PID Description
PSU (Input High Line 210VAC)	
HX-PSU1-1050W=	1050W AC PSU Platinum (Not EU/UK Lot 9 Compliant)
HX-PSUV2-1050DC=	1050W -48V DC Power Supply for Rack Server
HX-PSU1-1600W=	1600W AC PSU Platinum (Not EU/UK Lot 9 Compliant)
HX-PSU1-2300W=	2300W AC Power Supply for Rack Servers Titanium
PSU (Input Low Line 110VAC)	
HX-PSU1-1050W=	1050W AC PSU Platinum (Not EU/UK Lot 9 Compliant)
HX-PSUV2-1050DC=	1050W -48V DC Power Supply for Rack Server
HX-PSU1-2300W=	2300W AC Power Supply for Rack Servers Titanium
HX-PSU1-1050ELV	1050W AC PSU Enhanced Low Line (Not EU/UK Lot 9 Compliant)



NOTE: In a server with two power supplies, both power supplies must be identical.

STEP 12 SELECT INPUT POWER CORD(S)

Using [Table 20](#) and [Table 21](#), select the appropriate AC power cords. You can select a minimum of no power cords and a maximum of two. If you select the option R2XX-DMYPWRCORD, no power cord is shipped with the server.



NOTE: [Table 20](#) lists the power cords for servers that use power supplies less than 2300 W. [Table 21](#) lists the power cords for servers that use 2300 W power supplies. Note that the power cords for 2300 W power supplies use a C19 connector so they only fit the 2300 W power supply connector.

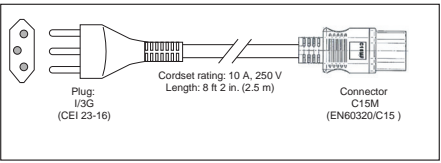
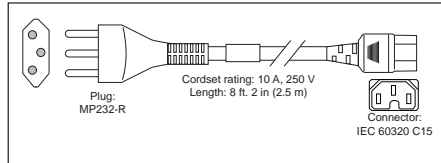
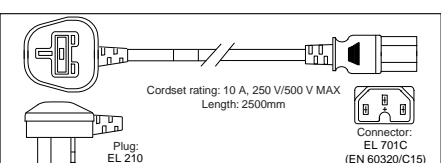
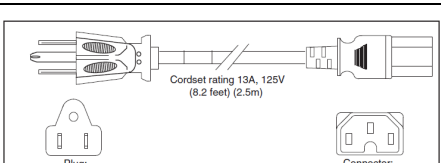
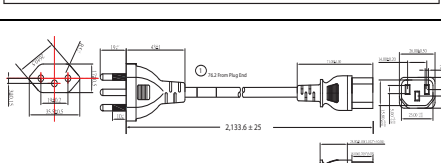
Table 20 Available Power Cords (for server PSUs less than 2300 W)

Product ID (PID)	PID Description	Images
NO-POWER-CORD	ECO friendly green option, no power cable will be shipped	
R2XX-DMYPWRCORD	No power cord (dummy PID to allow for a no power cord option)	Not applicable
CAB-48DC-40A-8AWG	C-Series -48VDC PSU Power Cord, 3.5M, 3 Wire, 8AWG, 40A	<p>Figure 1-3 CAB-48DC-40A-8AWG, DC Power Cord (3.5 m)</p>
CAB-N5K6A-NA	Power Cord, 200/240V 6A, North America	
CAB-AC-L620-C13	AC Power Cord, NEMA L6-20 - C13, 2M/6.5ft	
CAB-C13-CBN	CABASY,WIRE,JUMPER CORD, 27" L, C13/C14, 10A/250V	
CAB-C13-C14-2M	CABASY,WIRE,JUMPER CORD, PWR, 2 Meter, C13/C14,10A/250V	

Table 20 Available Power Cords (for server PSUs less than 2300 W)

Product ID (PID)	PID Description	Images
CAB-C13-C14-AC	CORD,PWR,JMP,IEC60320/C14,IEC60320/C13, 3.0M	
CAB-250V-10A-AR	Power Cord, 250V, 10A, Argentina	
CAB-9K10A-AU	Power Cord, 250VAC 10A 3112 Plug, Australia	
CAB-250V-10A-CN	AC Power Cord - 250V, 10A - PRC	
CAB-9K10A-EU	Power Cord, 250VAC 10A CEE 7/7 Plug, EU	
CAB-250V-10A-ID	Power Cord, 250V, 10A, India	
CAB-C13-C14-3M-IN	Power Cord Jumper, C13-C14 Connectors, 3 Meter Length, India	Image not available
CAB-C13-C14-IN	Power Cord Jumper,C13-C14 Connectors,1.4 Meter Length, India	Image not available
CAB-250V-10A-IS	Power Cord, SFS, 250V, 10A, Israel	

Table 20 Available Power Cords (for server PSUs less than 2300 W)

Product ID (PID)	PID Description	Images
CAB-9K10A-IT	Power Cord, 250VAC 10A CEI 23-16/VII Plug, Italy	 <p>Plug: 13G3 (CEI 23-16)</p> <p>Cordset rating: 10 A, 250 V Length: 8 ft 2 in. (2.5 m)</p> <p>Connector: C15M (EN60320/C15)</p>
CAB-9K10A-SW	Power Cord, 250VAC 10A MP232 Plug, Switzerland	 <p>Plug: MP232-R</p> <p>Cordset rating: 10 A, 250 V Length: 8 ft. 2 in (2.5 m)</p> <p>Connector: IEC 60320 C15</p>
CAB-9K10A-UK	Power Cord, 250VAC 10A BS1363 Plug (13 A fuse), UK	 <p>Plug: EL 210 (BS 1363A) 13 AMP fuse</p> <p>Cordset rating: 10 A, 250 V/500 V MAX Length: 2500mm</p> <p>Connector: EL 701 C (EN 60320/C15)</p>
CAB-9K12A-NA ¹	Power Cord, 125VAC 13A NEMA 5-15 Plug, North America	 <p>Plug: NEMA 5-15P</p> <p>Cordset rating: 13A, 125V (8.2 feet) (2.5m)</p> <p>Connector: IEC60320/C15</p>
CAB-250V-10A-BR	Power Cord - 250V, 10A - Brazil	
CAB-C13-C14-2M-JP	Power Cord C13-C14, 2M/6.5ft Japan PSE mark	Image not available
CAB-9K10A-KOR ¹	Power Cord, 125VAC 13A KSC8305 Plug, Korea	Image not available
CAB-ACTW	AC Power Cord (Taiwan), C13, EL 302, 2.3M	Image not available
CAB-JPN-3PIN	Japan, 90-125VAC 12A NEMA 5-15 Plug, 2.4m	Image not available
CAB-48DC-40A-INT	C-Series -48VDC PSU PWR Cord, 3.5M, 3 Wire, 8AWG, 40A (INT)	Image not available
CAB-48DC-40A-AS	C-Series -48VDC PSU PWR Cord, 3.5M, 3Wire, 8AWG, 40A (AS/NZ)	Image not available

Notes:

1. This power cord is rated to 125V and only supported for PSU rated at 1050W or less

Table 21 Available Power Cords (for servers with 2300 W PSUs)

Product ID (PID)	PID Description	Images
CAB-C19-CBN	Cabinet Jumper Power Cord, 250 VAC 16A, C20-C19 Connectors	Not applicable
CAB-S132-C19-ISRL	S132 to IEC-C19 14ft Israeli	Image not available
CAB-IR2073-C19-AR	IRSM 2073 to IEC-C19 14ft Argen	Image not available
CAB-BS1363-C19-UK	BS-1363 to IEC-C19 14ft UK	Image not available
CAB-SABS-C19-IND	SABS 164-1 to IEC-C19 India	Image not available
CAB-C2316-C19-IT	CEI 23-16 to IEC-C19 14ft Italy	Image not available
CAB-L520P-C19-US	NEMA L5-20 to IEC-C19 6ft US	Image not available
CAB-US515P-C19-US	NEMA 5-15 to IEC-C19 13ft US	Image not available
CAB-US520-C19-US	NEMA 5-20 to IEC-C19 14ft US	Image not available
CAB-US620P-C19-US	NEMA 6-20 to IEC-C19 13ft US	Image not available

STEP 13 ORDER TOOL-LESS RAIL KIT AND OPTIONAL REVERSIBLE CABLE MANAGEMENT ARM

Select a Tool-less Rail Kit

Select a tool-less rail kit from [Table 22](#).

Table 22 Tool-less Rail Kit Options

Product ID (PID)	PID Description
HX-RAIL-M6	Ball Bearing Rail Kit for C220 and C240 M6 rack servers



NOTE: Cisco recommends a minimum quantity of 1 Rail Kit.

Select an Optional Reversible Cable Management Arm

The reversible cable management arm mounts on either the right or left slide rails at the rear of the server and is used for cable management. Use [Table 23](#) to order a cable management arm.

Table 23 Cable Management Arm

Product ID (PID)	PID Description
HX-CMA-C220M6	Reversible CMA for C220 M6 ball bearing rail kit

For more information about the tool-less rail kit and cable management arm, see the Cisco 220 M6 Installation and Service Guide at this URL:

https://www.cisco.com/content/en/us/td/docs/unified_computing/ucs/c/hw/c220m6/install/c220m6.html



NOTE: If you plan to rackmount your HX220 M6 Edge All Flash/Hybrid Server Nodes, you must order a tool-less rail kit. The same rail kits and CMAs are used for M5 and M6 servers.

STEP 14 ORDER SECURITY DEVICES (OPTIONAL)

A Trusted Platform Module (TPM) is a computer chip (microcontroller) that can securely store artifacts used to authenticate the platform (server). These artifacts can include passwords, certificates, or encryption keys. A TPM can also be used to store platform measurements that help ensure that the platform remains trustworthy. Authentication (ensuring that the platform can prove that it is what it claims to be) and attestation (a process helping to prove that a platform is trustworthy and has not been breached) are necessary steps to ensure safer computing in all environments.

A chassis intrusion switch gives a notification of any unauthorized mechanical access into the server.

The security device ordering information is listed in [Table 24](#).

Table 24 Security Devices

Product ID (PID)	PID Description
HX-TPM-002C	TPM 2.0, TCG, FIPS140-2, CC EAL4+ Certified, for M6 servers
HX-INT-SW02	C220 and C240 M6 Chassis Intrusion Switch
UCSX-TPM-OPT-OUT	OPT OUT, TPM 2.0, TCG, FIPS140-2, CC EAL4+ Certified ¹

Notes:

1. Please note that Microsoft certification requires a TPM 2.0 for bare-metal or guest VM deployments. Opt-out of the TPM 2.0 voids the Microsoft certification



NOTE:

- The TPM module used in this system conforms to TPM 2.0, as defined by the Trusted Computing Group (TCG). It is also SPI-based.
- TPM installation is supported after-factory. However, a TPM installs with a one-way screw and cannot be replaced, upgraded, or moved to another server. If a server with a TPM is returned, the replacement server must be ordered with a new TPM.

STEP 15 SELECT LOCKING SECURITY BEZEL (OPTIONAL)

An optional locking bezel can be mounted to the front of the chassis to prevent unauthorized access to the drives.

Select the locking bezel from [Table 25](#).

Table 25 Locking Bezel Option for HX220 M6 Edge All Flash/Hybrid Server Nodes

Product ID (PID)	Description
HXAF220C-BZL-M5S	HXAF220C M5 Security Bezel
HX220C-BZL-M5	HX220C M5 Security Bezel

STEP 16 SELECT HOST OPERATING SYSTEM

Select Microsoft Windows operating system as desired from [Table 26](#)



NOTE:

- **VMware ESXi Hypervisor** - We no longer ship VMWare ESXi from the factory. Refer to this link for the further details.
https://www.cisco.com/c/en/us/td/docs/hyperconverged_systems/HyperFlex_HX_DataPlatformSoftware/BroadcomAgreementNotice/b-broadcom-terminated-vmware-embedded-agreement.html
- **Microsoft operating system** - Optional guest OS licenses that may be purchased to run on top of the hypervisor.

Table 26 Host Operation System

Product ID (PID)	PID Description
Operating system	
Microsoft Options	
HX-MSWS-22-ST16C	Windows Server 2022 Standard (16 Cores/2 VMs)
HX-MSWS-22-DC16C	Windows Server 2022 Data Center (16 Cores/Unlimited VMs)

STEP 17 SELECT HYPERFLEX DATA PLATFORM (HXDP) SOFTWARE

HyperFlex Data Platform Edition & Subscription Period options are available as follows. Select as desired from [Table 27](#).

Table 27 HX Data Platform Software

Product ID (PID)	PID Description
HXDP-E-AD	HyperFlex Data Platform Edge Advantage (1 to 5) Yr
HXDP-E-PR	HyperFlex Data Platform Edge Premier (1 to 5) Yr
Cisco HyperFlex Data Platform Software - SLR	
HXDP-E-AD-SLR	HyperFlex Data Platform Edge Advantage SLR (1 to 5) Yr
HXDP-E-PR-SLR	HyperFlex Data Platform Edge Premier SLR (1 to 5) Yr
Cisco HyperFlex Data Platform Software Support	
SVS-DCM-SUPT-BAS	Basic Support for DCM
SVS-SSTCS-DCMGMT	Solution Support for DC Mgmt
SVS-L1DCS-HXDP	CXL1 for HXDP
SVS-L2DCS-HXDP	CXL2 for HXDP

STEP 18 CISCO INTERSIGHT

Cisco Intersight™ is a Software-as-a-Service (SaaS) hybrid cloud operations platform which delivers intelligent automation, observability, and optimization to customers for traditional and cloud-native applications and infrastructure. Select as desired from [Table 28](#).

Table 28 Cisco Intersight

Product ID (PID)	PID Description
Cisco Intersight - SaaS	
DC-MGT-SAAS-EST-C	Cisco Intersight SaaS - Essentials (1 to 5) Yr
DC-MGT-SAAS-AD-C	Cisco Intersight SaaS - Advantage (new) (1 to 5) Yr
DC-MGT-SAAS-PR-C	Cisco Intersight SaaS - Premier (1 to 5) Yr
Cisco Intersight - Connected Virtual Appliance	
DC-MGT-ONPREM-EST	Cisco Intersight Connected Virtual Appliance - Essentials (1 to 5) Yr
DC-MGT-VAPP-AD	Cisco Intersight Connected Virtual Appliance - Advantage (1 to 5) Yr
DC-MGT-VAPP-PR	Cisco Intersight Connected Virtual Appliance - Premier (1 to 5) Yr
Cisco Intersight - Private Virtual Appliance	
DC-MGT-PVAPP-EST	Cisco Intersight Private Virtual Appliance - Essentials (1 to 5) Yr
DC-MGT-PVAPP-AD	Cisco Intersight Private Virtual Appliance - Advantage (1 to 5) Yr
DC-MGT-PVAPP-PR	Cisco Intersight Private Virtual Appliance - Premier (1 to 5) Yr
Cisco Intersight Support	
SVS-DCM-SUPT-BAS	Basic Support for DCM
SVS-SSTCS-DCMGMT	Solution Support for DC Mgmt
SVS-L1DCS-INTER	CXL1 for INTERSIGHT
SVS-L2DCS-INTER	CXL2 for INTERSIGHT

STEP 19 SELECT INSTALLATION SERVICE

Customers can purchase Cisco Advanced Services (AS). Select as desired from [Table 29](#)

Table 29 Installation services

Product ID (PID)	PID Description
Cisco Advanced Services	
ASF-ULT2-HPF-QSS	Quick Start Services - 1 Week
ASF-ULT2-HPF-ADS	Accelerated Deployment Services - 2 Weeks
AS-DCN-CNSLT	Advanced Services Consulting

STEP 20 SELECT SERVICE and SUPPORT LEVEL

A variety of service options are available, as described in this section.

HyperFlex Warranty, No Contract

If you have noncritical implementations and choose to have no service contract, the following coverage is supplied:

- Three-year parts coverage.
- Next business day (NBD) onsite parts replacement eight hours a day, five days a week.
- 90-day software warranty on media.
- Ongoing downloads of BIOS, drivers, and firmware updates.
- UCSM updates for systems with Unified Computing System Manager. These updates include minor enhancements and bug fixes that are designed to maintain the compliance of UCSM with published specifications, release notes, and industry standards.

Smart Net Total Care (SNTC)

For support of the entire HyperFlex System, Cisco offers the Cisco Smart Net Total Care Service. This service provides expert software and hardware support to help sustain performance and high availability of the unified computing environment. Access to Cisco Technical Assistance Center (TAC) is provided around the clock, from anywhere in the world.

For systems that include Unified Computing System Manager, the support service includes downloads of UCSM upgrades. The Cisco Smart Net Total Care Service includes flexible hardware replacement options, including replacement in as little as two hours. There is also access to Cisco's extensive online technical resources to help maintain optimal efficiency and uptime of the unified computing environment. For more information please refer to the following url: <http://www.cisco.com/c/en/us/services/technical/smart-net-total-care.html?stickynav=1>

You can choose a desired service listed in [Table 30](#).

Table 30 SNTC Service (PID HXAF-E-220M6S)

Service SKU	Service Level GSP	On Site?	Description
CON-PREM-HXAFE26S	C2P	Yes	SNTC 24X7X20S
CON-UCSD8-HXAFE26S	UCSD8	Yes	UC SUPP DR
CON-C2PL-HXAFE26S	C2PL	Yes	LL 24X7X20S**
CON-OSP-HXAFE26S	C4P	Yes	SNTC 24X7X40S
CON-UCSD7-HXAFE26S	UCSD7	Yes	UCS DR 24X7X40S*
CON-C4PL-HXAFE26S	C4PL	Yes	LL 24X7X40S**
CON-USD7L-HXAFE26S	USD7L	Yes	LLUCS HW DR 24X7X40S***
CON-OSE-HXAFE26S	C4S	Yes	SNTC 8X5X40S
CON-UCSD6-HXAFE26S	UCSD6	Yes	UC SUPP DR 8X5X40S*

Table 30 SNTC Service (PID HXAF-E-220M6S)

CON-SNCO-HXAFE26S	SNCO	Yes	SNTC 8x7xNCDOS****
CON-OS-HXAFE26S	CS	Yes	SNTC 8X5XNBDOS
CON-UCSD5-HXAFE26S	UCSD5	Yes	UCS DR 8X5XNBDOS*
CON-S2P-HXAFE26S	S2P	No	SNTC 24X7X2
CON-S2PL-HXAFE26S	S2PL	No	LL 24X7X2**
CON-SNTP-HXAFE26S	SNTP	No	SNTC 24X7X4
CON-SNTPL-HXAFE26S	SNTPL	No	LL 24X7X4**
CON-SNTE-HXAFE26S	SNTE	No	SNTC 8X5X4
CON-SNC-HXAFE26S	SNC	No	SNTC 8x7xNCD
CON-SNT-HXAFE26S	SNT	No	SNTC 8X5XNBD
CON-SW-HXAFE26S	SW	No	SNTC NO RMA
Note: For PID HX-E-220M6S, select Service SKU with HXE22M6S suffix (Example: CON-OSP-HXE22M6S)			
*Includes Drive Retention (see below for full description)			
**Includes Local Language Support (see below for full description) - Only available in China and Japan			
***Includes Local Language Support and Drive Retention - Only available in China and Japan			

Smart Net Total Care Onsite Troubleshooting Service

An enhanced offer over traditional Smart Net Total Care which provides onsite troubleshooting expertise to aid in the diagnostics and isolation of hardware issue within our customers' Cisco HyperFlex System environment. It is delivered by a Cisco Certified field engineer (FE) in collaboration with remote TAC engineer and Virtual Internetworking Support Engineer (VISE).

You can choose a desired service listed in [Table 31](#).

Table 31 SNTC Onsite Troubleshooting Service (PID HXAF-E-220M6S)

Service SKU	Service Level GSP	On Site?	Description
CON-OSPT-HXAFE26S	OSPT	Yes	24X7X4OS Trblshtg
CON-OSPTD-HXAFE26S	OSPTD	Yes	24X7X4OS TrblshtgDR*
CON-OSPTL-HXAFE26S	OSPTL	Yes	24X7X4OS TrblshtgLL**
CON-OPTLD-HXAFE26S	OPTLD	Yes	24X7X4OS TrblshtgLLD***
Note: For PID HX-E-220M6S, select Service SKU with HXE22M6S suffix (Example: CON-OSPT-HXE22M6S)			
*Includes Drive Retention (see below for full description)			
**Includes Local Language Support (see below for full description) - Only available in China and Japan			

Table 31 SNTC Onsite Troubleshooting Service (PID HXAF-E-220M6S)

***Includes Local Language Support and Drive Retention - Only available in China and Japan

Solution Support (SSPT)

Solution Support includes both Cisco product support and solution-level support, resolving complex issues in multivendor environments, on average, 43% more quickly than product support alone. Solution Support is a critical element in data center administration, to help rapidly resolve any issue encountered, while maintaining performance, reliability, and return on investment.

This service centralizes support across your multivendor Cisco environment for both our products and solution partner products you’ve deployed in your ecosystem. Whether there is an issue with a Cisco or solution partner product, just call us. Our experts are the primary point of contact and own the case from first call to resolution. For more information please refer to the following url:

<http://www.cisco.com/c/en/us/services/technical/solution-support.html?stickynav=1>

You can choose a desired service listed in [Table 32](#).

Table 32 Solution Support Service (PID HXAF-E-220M6S)

Service SKU	Service Level GSP	On Site?	Description
CON-SSC2P-HXAFE26S	SSC2P	Yes	SOLN SUPP 24X7X2OS
CON-SSC4P-HXAFE26S	SSC4P	Yes	SOLN SUPP 24X7X4OS
CON-SSC4S-HXAFE26S	SSC4S	Yes	SOLN SUPP 8X5X4OS
CON-SSCS-HXAFE26S	SSCS	Yes	SOLN SUPP 8X5XNBDOS
CON-SSDR7-HXAFE26S	SSDR7	Yes	SSPT DR 24X7X4OS*
CON-SSDR5-HXAFE26S	SSDR5	Yes	SSPT DR 8X5XNBDOS*
CON-SSS2P-HXAFE26S	SSS2P	No	SOLN SUPP 24X7X2
CON-SSSNP-HXAFE26S	SSSNP	No	SOLN SUPP 24X7X4
CON-SSSNE-HXAFE26S	SSSNE	No	SOLN SUPP 8X5X4
CON-SSSNC-HXAFE26S	SSSNC	No	SOLN SUPP NCD
CON-SSSNT-HXAFE26S	SSSNT	No	SOLN SUPP 8X5XNBD
Note: For PID HX-E-220M6S, select Service SKU with HXE22M6S suffix (Example: CON-SSC4P-HXE22M6S)			
*Includes Drive Retention (see below for full description)			

Solution Support for Service Providers

You can choose a desired service listed in [Table 33](#).

Table 33 Solution Support for Service Providers Service (PID HXAF-E-220M6S)

Service SKU	Service Level GSP	On Site?	Description
SP-SSC2P-HXAFE26S	SPSSC2P	Yes	SP SOLN SUPP
SP-SSC4P-HXAFE26S	SPSSC4P	Yes	SP SOLN SUPP
SP-SSC4S-HXAFE26S	SPSSC4S	Yes	SP SOLN SUPP
SP-SSCS-HXAFE26S	SPSSCS	Yes	SP SOLN SUPP
SP-SSS2P-HXAFE26S	SPSSS2P	Yes	SP SOLN SUPP 24X7X2
SP-SSS4P-HXAFE26S	SPSSS4P	Yes	SP SOLN SUPP 24X7X4
SP-SSSNE-HXAFE26S	SPSSSNE	No	SP SOLN SUPP 8X5X4
SP-SSSNT-HXAFE26S	SPSSSNT	No	SP SOLN SUPP
SP-SSSPB-HXAFE26S	SPSSSPB	No	SP SOLN SUPP NO HW
Note: For PID HX-E-220M6S, select Service SKU with HXE22M6S suffix (Example: SP-SSC4P-HXE22M6S)			

Smart Net Total Care Hardware Only Service

For faster parts replacement than is provided with the standard Cisco HyperFlex warranty, Cisco offers the Cisco Smart Net Total Care Hardware Only Service. You can choose from two levels of advanced onsite parts replacement coverage in as little as four hours. Smart Net Total Care Hardware Only Service provides remote access any time to Cisco support professionals who can determine if a return materials authorization (RMA) is required.

You can choose a desired service listed in [Table 34](#).

Table 34 SNTC Hardware Only Service (PID HXAF-E-220M6S)

Service SKU	Service Level GSP	On Site?	Description
CON-UCW7-HXAFE26S	UCW7	Yes	UCS HW 24X7X4OS
CON-UCWD7-HXAFE26S	UCWD7	Yes	UCS HW+DR 24X7X4OS*
CON-UCW7L-HXAFE26S	UCW7L	Yes	LL UCS 24X7X4OS**
CON-UWD7L-HXAFE26S	UWD7L	Yes	LL UCS DR 24X7X4OS***
CON-UCW5-HXAFE26S	UCW5	Yes	UCS HW 8X5XNBDOS
CON-UCWD5-HXAFE26S	UCWD5	Yes	UCS HW+DR 8X5XNBDOS*
Note: For PID HX-E-220M6S, select Service SKU with HXE22M6S suffix (Example: CON-UCW7-HXE22M6S)			

Table 34 SNTC Hardware Only Service (PID HXAF-E-220M6S)

*Includes Drive Retention (see below for full description)
**Includes Local Language Support (see below for full description) - Only available in China and Japan
***Includes Local Language Support and Drive Retention - Only available in China and Japan

Partner Support Service

Cisco Partner Support Service (PSS) is a Cisco Collaborative Services service offering that is designed for partners to deliver their own branded support and managed services to enterprise customers. Cisco PSS provides partners with access to Cisco's support infrastructure and assets to help them:

- Expand their service portfolios to support the most complex network environments
- Lower delivery costs
- Deliver services that increase customer loyalty

PSS options enable eligible Cisco partners to develop and consistently deliver high-value technical support that capitalizes on Cisco intellectual assets. This helps partners to realize higher margins and expand their practice.

PSS is available to all Cisco PSS partners.

The two Partner Support Options include:

- Partner Support Service for HyperFlex
- Partner Support Service for HyperFlex Hardware Only

PSS provides hardware and software support, including triage support for third party software, backed by Cisco technical resources and level three support.

You can choose a desired service listed in [Table 35](#).

Table 35 PSS Service (PID HXAF-E-220M6S)

Service SKU	Service Level GSP	On Site?	Description
CON-PSJ8-HXAFE26S	PSJ8	Yes	UCS PSS 24X7X2 OS
CON-PSJ7-HXAFE26S	PSJ7	Yes	UCS PSS 24X7X4 OS
CON-PSJD7-HXAFE26S	PSJD7	Yes	UCS PSS 24X7X4 DR*
CON-PSJ6-HXAFE26S	PSJ6	Yes	UCS PSS 8X5X4 OS
CON-PSJD6-HXAFE26S	PSJD6	Yes	UCS PSS 8X5X4 DR*
CON-PSJ4-HXAFE26S	PSJ4	No	UCS SUPP PSS 24X7X2
CON-PSJ3-HXAFE26S	PSJ3	No	UCS SUPP PSS 24X7X4
CON-PSJ2-HXAFE26S	PSJ2	No	UCS SUPP PSS 8X5X4

Table 35 PSS Service (PID HXAF-E-220M6S)

CON-PSJ1-HXAFE26S	PSJ1	No	UCS SUPP PSS 8X5XNBD
Note: For PID HX-E-220M6S, select Service SKU with HXE22M6S suffix (Example: CON-PSJ7-HXE22M6S)			
*Includes Drive Retention (see below for full description)			

PSS Hardware Only

PSS Hardware Only provides customers with replacement parts in as little as two hours and provides remote access any time to Partner Support professionals who can determine if a return materials authorization (RMA) is required. You can choose a desired service listed in [Table 36](#).

Table 36 PSS Hardware Only Service (PID HXAF-E-220M6S)

Service SKU	Service Level GSP	On Site?	Description
CON-PSW7-HXAFE26S	PSW7	Yes	UCS W PSS 24X7X4 OS
CON-PSWD7-HXAFE26S	PSWD7	Yes	UCS W PSS 24X7X4 DR*
CON-PSW6-HXAFE26S	PSW6	Yes	UCS W PSS 8X5X4 OS
CON-PSWD6-HXAFE26S	PSWD6	Yes	UCS W PSS 8X5X4 DR*
CON-PSW4-HXAFE26S	PSW4	No	UCS W PL PSS 24X7X2
CON-PSW3-HXAFE26S	PSW3	No	UCS W PL PSS 24X7X4
CON-PSW2-HXAFE26S	PSW2	No	UCS W PL PSS 8X5X4
Note: For PID HX-E-220M6S, select Service SKU with HXE22M6S suffix (Example: CON-PSW7-HXE22M6S)			
*Includes Drive Retention (see below for full description)			

Distributor Support Service (DSS)

You can choose a desired service listed in [Table 37](#).

Table 37 DSS Service (PID HXAF-E-220M6S)

Service SKU	Service Level GSP	On Site?	Description
CON-DSCO-HXAFE26S	DSCO	Yes	DSS CORE 24X7X20S
CON-DSO-HXAFE26S	DSO	Yes	DSS CORE 24X7X4
CON-DSNO-HXAFE26S	DSNO	Yes	DSS CORE 8X5XNBDOS
CON-DSCC-HXAFE26S	DSCC	No	DSS CORE 24X7X2
CON-DCP-HXAFE26S	DCP	No	DSS CORE 24X7X4
CON-DSE-HXAFE26S	DSE	No	DSS CORE 8X5X4
CON-DSN-HXAFE26S	DSN	No	DSS CORE 8X5XNBD
Note: For PID HX-E-220M6S, select Service SKU with HXE22M6S suffix (Example: CON-DSO-HXE22M6S)			

Combined Support Service

Combined Services makes it easier to purchase and manage required services under one contract. SNTC services help increase the availability of your vital data center infrastructure and realize the most value from your unified computing investment. The more benefits you realize from the Cisco HyperFlex System, the more important the technology becomes to your business. These services allow you to:

- Optimize the uptime, performance, and efficiency of your HyperFlex system
- Protect your vital business applications by rapidly identifying and addressing issues
- Strengthen in-house expertise through knowledge transfer and mentoring
- Improve operational efficiency by allowing HyperFlex experts to augment your internal staff resources
- Enhance business agility by diagnosing potential issues before they affect your operations

You can choose a desired service listed in [Table 38](#).

Table 38 Combined Support Service (PID HXAF-E-220M6S)

Service SKU	Service Level GSP	On Site?	Description
CON-NCF2P-HXAFE26S	NCF2P	Yes	CMB SVC 24X7X20S
CON-NCF4P-HXAFE26S	NCF4P	Yes	CMB SVC 24X7X40S
CON-NCF4S-HXAFE26S	NCF4S	Yes	CMB SVC 8X5X40S
CON-NCFCS-HXAFE26S	NCFCS	Yes	CMB SVC 8X5XNBDOS
CON-NCF2-HXAFE26S	NCF2	No	CMB SVC 24X7X2
CON-NCFP-HXAFE26S	NCFP	No	CMB SVC 24X7X4
CON-NCFE-HXAFE26S	NCFE	No	CMB SVC 8X5X4
CON-NCFT-HXAFE26S	NCFT	No	CMB SVC 8X5XNBD
CON-NCFW-HXAFE26S	NCFW	No	CMB SVC SW
Note: For PID HX-E-220M6S, select Service SKU with HXE22M6S suffix (Example: CON-NCF4P-HXE22M6S)			

Drive Retention Service

With the Cisco Drive Retention Service, you can obtain a new disk drive in exchange for a faulty drive without returning the faulty drive.

Sophisticated data recovery techniques have made classified, proprietary, and confidential information vulnerable, even on malfunctioning disk drives. The Drive Retention service enables you to retain your drives and ensures that the sensitive data on those drives is not compromised, which reduces the risk of any potential liabilities. This service also enables you to comply with regulatory, local, and federal requirements.

If your company has a need to control confidential, classified, sensitive, or proprietary data, you might want to consider one of the Drive Retention Services listed in the above tables (where available)



NOTE: Cisco does not offer a certified drive destruction service as part of this service.

Local Language Technical Support

Where available, and subject to an additional fee, local language support for calls on all assigned severity levels may be available for specific product(s) - see tables above.

For a complete listing of available services for Cisco Unified Computing System, see the following URL:

http://www.cisco.com/en/US/products/ps10312/serv_group_home.html

SUPPLEMENTAL MATERIAL

Supported Network Topologies for HyperFlex Edge 2 Node Deployments

Cisco HyperFlex Edge offers both 1 Gigabit Ethernet (GE) and 10/25 Gigabit Ethernet (GE) installation option. Both topologies support single top-of-rack (ToR) and dual ToR switch options for ultimate network flexibility and redundancy.

Consider the following when determining the best topology for your cluster:

- Cisco highly recommends the 10/25GE topology for higher performance and future node expansion capabilities.
- The 1GE for clusters that will never require node expansion, and instances where the ToR switch does not have 10/25GE ports available.



NOTE: A network topology is chosen during initial deployment and cannot be changed or upgraded without a full reinstallation. Choose your network topology carefully and with future needs in mind.

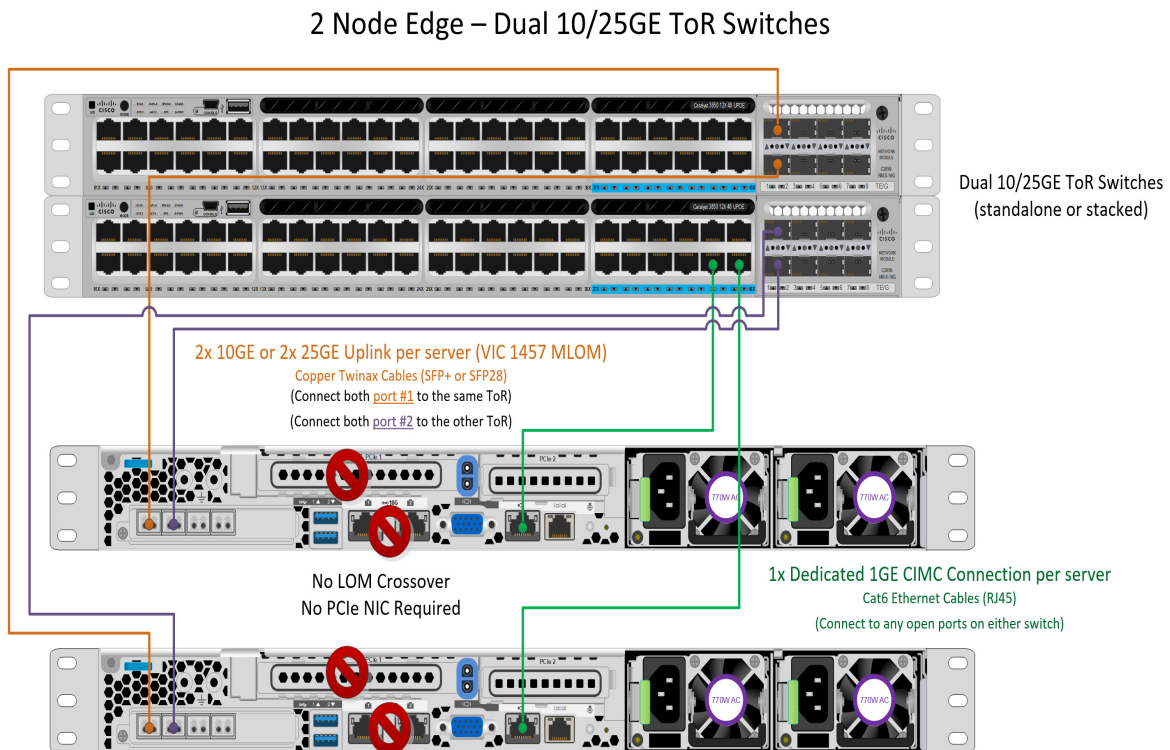
Below is a summary of the supported topologies, refer to the [Cisco HyperFlex Edge Deployment Guide, Pre-installation Checklist chapter](#), for full details.

10 or 25 Gigabit Ethernet Dual Switch Topology

Dual switch configuration provides a slightly more complex topology with full redundancy that protects against: switch failure, link failure, and port failure. It requires two switches that may be standalone or stacked, and two 10/25GE ports, one 1GE port for CIMC management, and one Cisco VIC 1467 per server. Trunk ports are the only supported network port configuration. refer [10/25 Gigabit Ethernet Switch Configuration Guidelines](#) for more information.

To deploy this topology, select HX-E-TOPO4 from [STEP 9](#)

Figure 8 Physical cabling for the 10/25GE Dual Switch Topology. Detailed diagrams for network topologies can be found in the [pre-installation checklist](#).

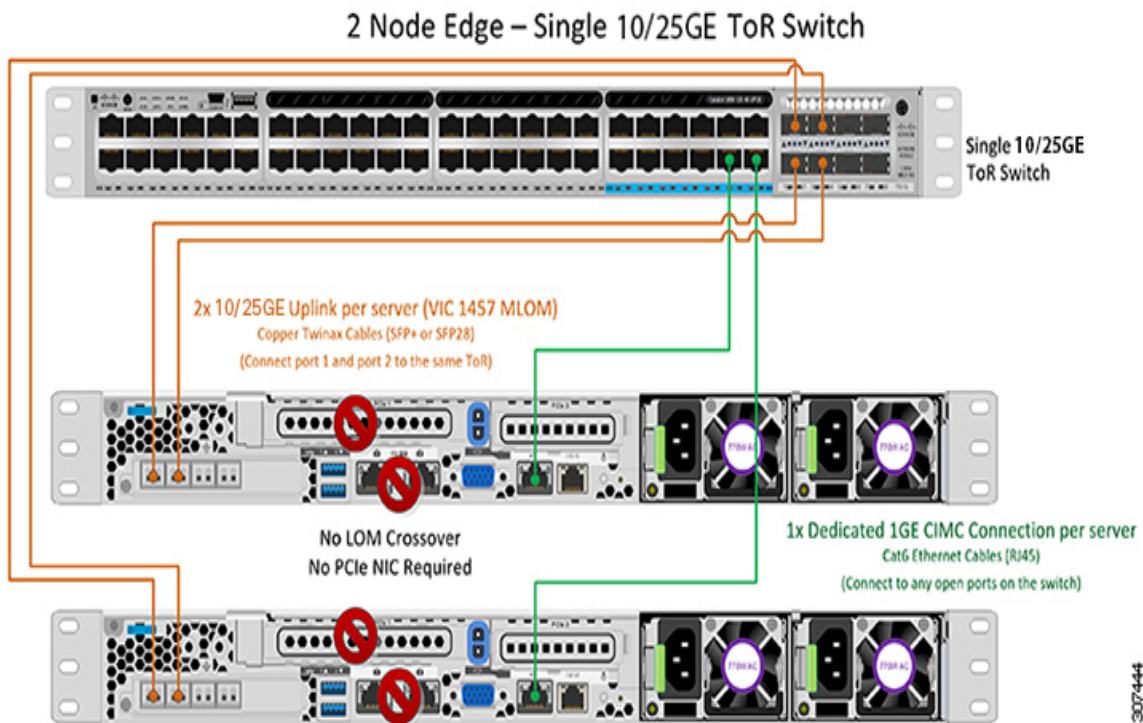


10 or 25 Gigabit Ethernet Single Switch Topology

Single switch configuration provides a simple topology requiring only a single switch, and two 10/25GE ports, one 1GE port for CIMC management, and one Cisco VIC 1467 per server. Switch level redundancy is not provided, however all links/ports and associated network services are fully redundant and can tolerate failures. refer [10/25 Gigabit Ethernet Switch Configuration Guidelines](#) for more information.

To deploy this topology, select HX-E-TOPO4 from [STEP 9](#)

Figure 9 Physical cabling for the 10/25GE Single Switch Topology. Detailed diagrams for network topologies can be found in the [pre-installation checklist](#).

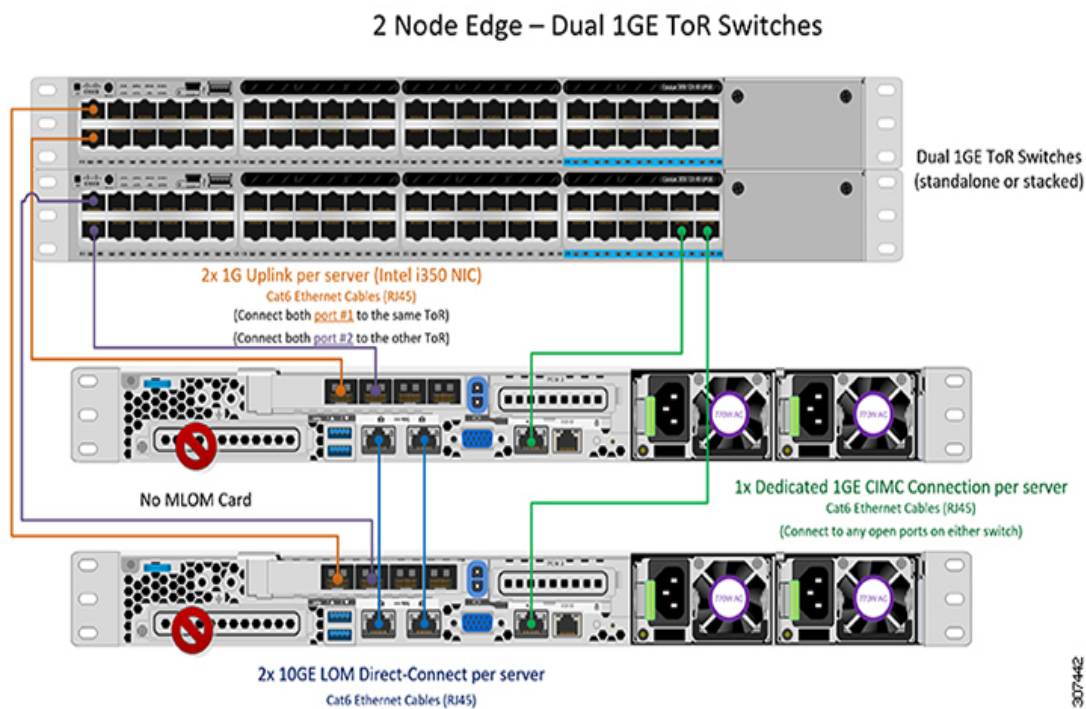


1 Gigabit Ethernet Dual Switch Topology

Dual switch cabling provides a slightly more complex topology with full redundancy that protects against: switch failure, link failure, switch port failure, and LOM/PCIe NIC HW failures. It requires two switches that may be standalone or stacked, and four 1GE ports for cluster and VM traffic, one 1GE port for CIMC management, and one Intel i350 PCIe NIC per server. Trunk ports are the only supported network port configuration. refer [1 Gigabit Ethernet Switch Configuration Guidelines](#) for more information

To deploy this topology, select HX-E-TOPO2 from [STEP 9](#)

Figure 10 Physical cabling for the 1GE Dual Switch Topology. Detailed diagrams for network topologies can be found in the [pre-installation checklist](#).

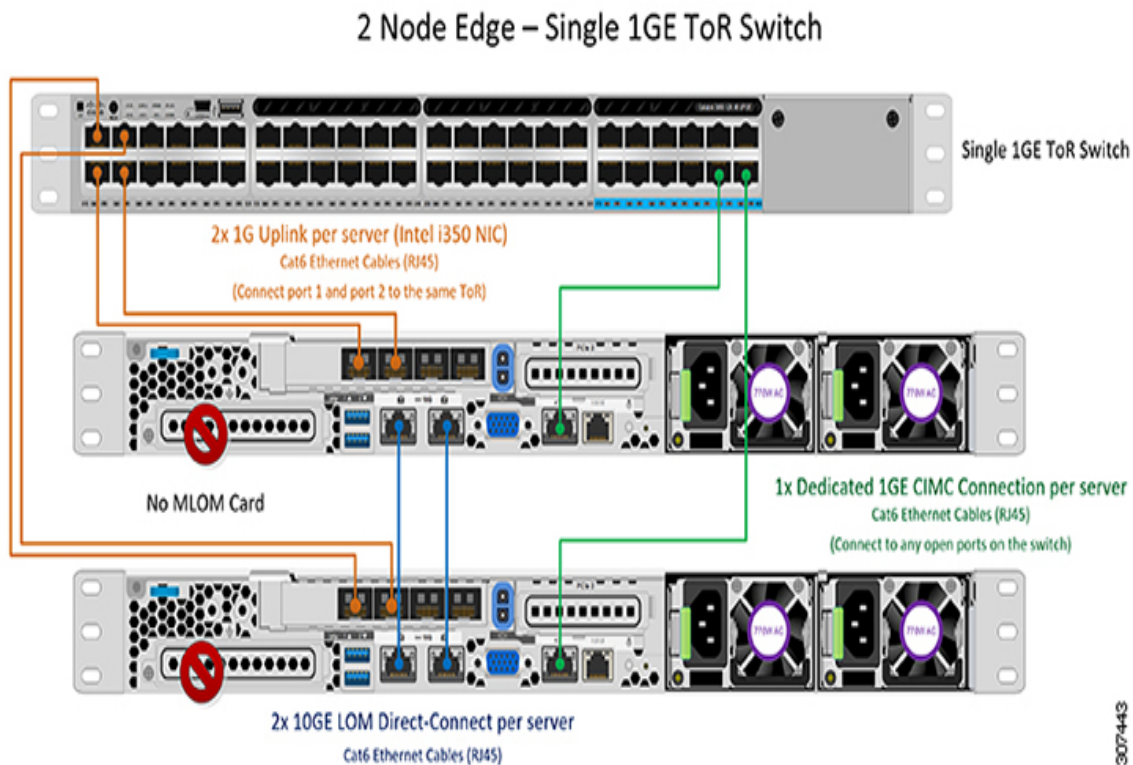


1 Gigabit Ethernet Single Switch Topology

Single switch configuration provides a simple topology requiring only a single switch, two 1GE ports for cluster and VM traffic, one 1GE port for CIMC management, and no additional PCIe NICs. Link or switch redundancy is not provided. Access ports and trunk ports are the two supported network port configurations. refer [1 Gigabit Ethernet Switch Configuration Guidelines](#) for more information

To deploy this topology, select HX-E-TOPO2 from [STEP 9](#)

Figure 11 Physical cabling for the 1GE Single Switch Topology. Detailed diagrams for network topologies can be found in the [pre-installation checklist](#).



NIC Based 10 or 25 Gigabit Ethernet Dual Switch Topology (quad port)

Dual switch configuration provides a slightly more complex topology with full redundancy that protects against: switch failure, link failure, and port failure. It requires two switches that may be standalone or stacked, and four 10/25GE ports, one 1GE port for CIMC management, and 1 x quad port NIC per server. Trunk ports are the only supported network port configuration. refer [10/25 Gigabit Ethernet Switch Configuration Guidelines](#) for more information.

To deploy this topology, select HX-E-TOP05 from [STEP 9](#)

Figure 12 Physical cabling for the Quad Port NIC Based 10/25GE Dual Switch Topology.

2 Node Edge - Dual 10/25GE ToR Switches



Dual 10/25GE ToR Switches (standalone or stacked)

Intel X710 quad-port 10G / Cisco-Intel E810XXVDA4L 4x25/10G



Legend
 Yellow line: HX/ESXI Management
 Cyan line: HX storage data
 Green line: CIMC port

NIC Based 10 or 25 Gigabit Ethernet Dual Switch Topology (dual port)

Dual switch configuration provides a slightly more complex topology with full redundancy that protects against: switch failure, link failure, and port failure. It requires two switches that may be standalone or stacked, and four 10/25GE ports, one 1GE port for CIMC management, and 2 x dual port NIC per server. Trunk ports are the only supported network port configuration. refer [10/25 Gigabit Ethernet Switch Configuration Guidelines](#) for more information.

To deploy this topology, select HX-E-TOP05 from [STEP 9](#)

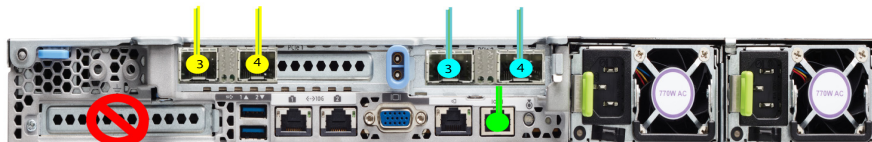
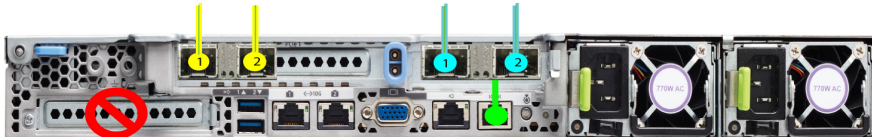
Figure 13 Physical cabling for the Dual Port NIC Based 10/25GE Dual Switch Topology.

2 Node Edge - Dual 10/25GE ToR Switches



Dual 10/25GE ToR Switches (standalone or stacked)

Intel X710-DA2 Dual Port 10G / Cisco-Intel E810XXVDA2 2x25/10 GE810XXVDA2 2x25/10 G



- Legend
- Yellow line: HX/ESXi Management
- Cyan line: HX storage data
- Green line: CIMC port

Supported Network Topologies for HyperFlex Edge 3 and 4 Node Deployments

Cisco HyperFlex 220 M6 Edge clusters should be deployed using Cisco Intersight installer. Cisco Intersight provides advanced multi-cluster monitoring and management capabilities; Cisco HyperFlex M6 edge nodes are not supported for installation using HyperFlex OVA installer VM.

Cisco HyperFlex Edge offers both 1 Gigabit Ethernet (GE) and 10/25 Gigabit Ethernet (GE) installation option. Both topologies support single top-of-rack (ToR) and dual ToR switch options for ultimate network flexibility and redundancy.

Consider the following when determining the best topology for your cluster:

- Cisco highly recommends the 10/25GE topology for higher performance and future node expansion capabilities.
- The 1GE topology is reserved for clusters that will never require node expansion, and instances where the ToR switch does not have 10/25GE ports available.



NOTE: A network topology is chosen during initial deployment and cannot be changed or upgraded without a full reinstallation. Choose your network topology carefully and with future needs in mind.

Below is a summary of the supported topologies, refer to the [Cisco HyperFlex Edge Deployment Guide, Pre-installation Checklist chapter](#), for full details.

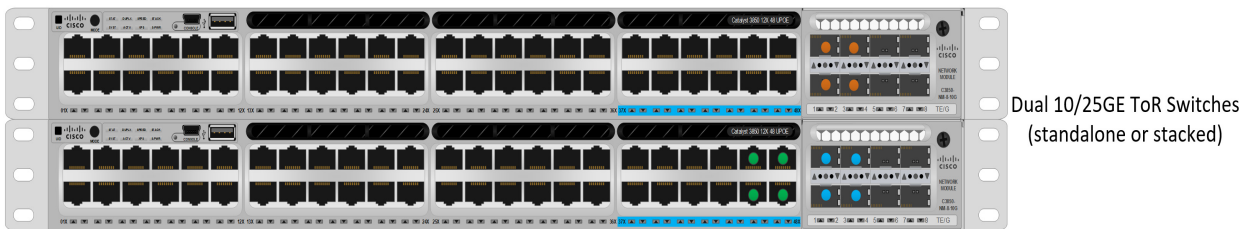
10 or 25 Gigabit Ethernet Dual Switch Topology

Dual switch configuration provides a slightly more complex topology with full redundancy that protects against: switch failure, link failure, and port failure. It requires two switches that may be standalone or stacked, and two 10/25GE ports, one 1GE port for CIMC management, and one Cisco VIC 1467 per server. Trunk ports are the only supported network port configuration. refer [10/25 Gigabit Ethernet Switch Configuration Guidelines](#) for more information.

To deploy this topology, select HX-E-TOP04 from [STEP 9](#)

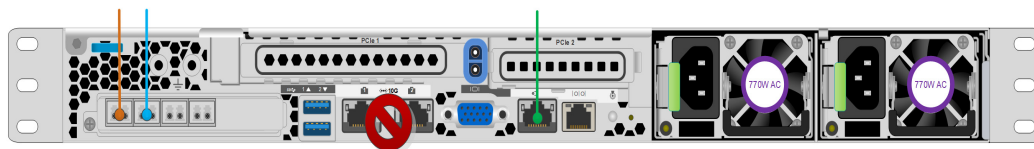
Figure 14 Physical cabling for the 10/25GE Dual Switch Topology. Detailed diagrams for network topologies can be found in the [pre-installation checklist](#).

3 & 4 Node Edge – Dual 10/25GE ToR Switches



Dual 10/25GE ToR Switches (standalone or stacked)

2x 10GE or 2x 25GE Uplink per server (VIC 1457 MLOM)
 Copper Twinax Cables (SFP+ or SFP28)
 (Connect all [port #1](#) to the same ToR)
 (Connect all [port #2](#) to the other ToR)



x3 or x4

1x Dedicated 1GE CIMC Connection per server
 Cat6 Ethernet Cables (RJ45)
 (Connect to any open port on either switch)

10 or 25 Gigabit Ethernet Single Switch Topology

Single switch configuration provides a simple topology requiring only a single switch, and two 10/25GE ports, one 1GE port for CIMC management, and one Cisco VIC 1467 per server. Switch level redundancy is not provided, however all links/ports and associated network services are fully redundant and can tolerate failures. refer [10/25 Gigabit Ethernet Switch Configuration Guidelines](#) for more information.

To deploy this topology, select HX-E-TOPO4 from [STEP 9](#)

Figure 15 Physical cabling for the 10/25GE Single Switch Topology. Detailed diagrams for network topologies can be found in the [pre-installation checklist](#).

3 & 4 Node Edge – Single 10/25GE ToR Switch



2x 10/25GE Uplink per server (VIC 1457 MLOM)
Copper Twinax Cables (SFP+ or SFP28)
(Connect all ports to the same ToR)



1x Dedicated 1GE CIMC Connection per server
Cat6 Ethernet Cables (RJ45)
(Connect to any open port)

502780

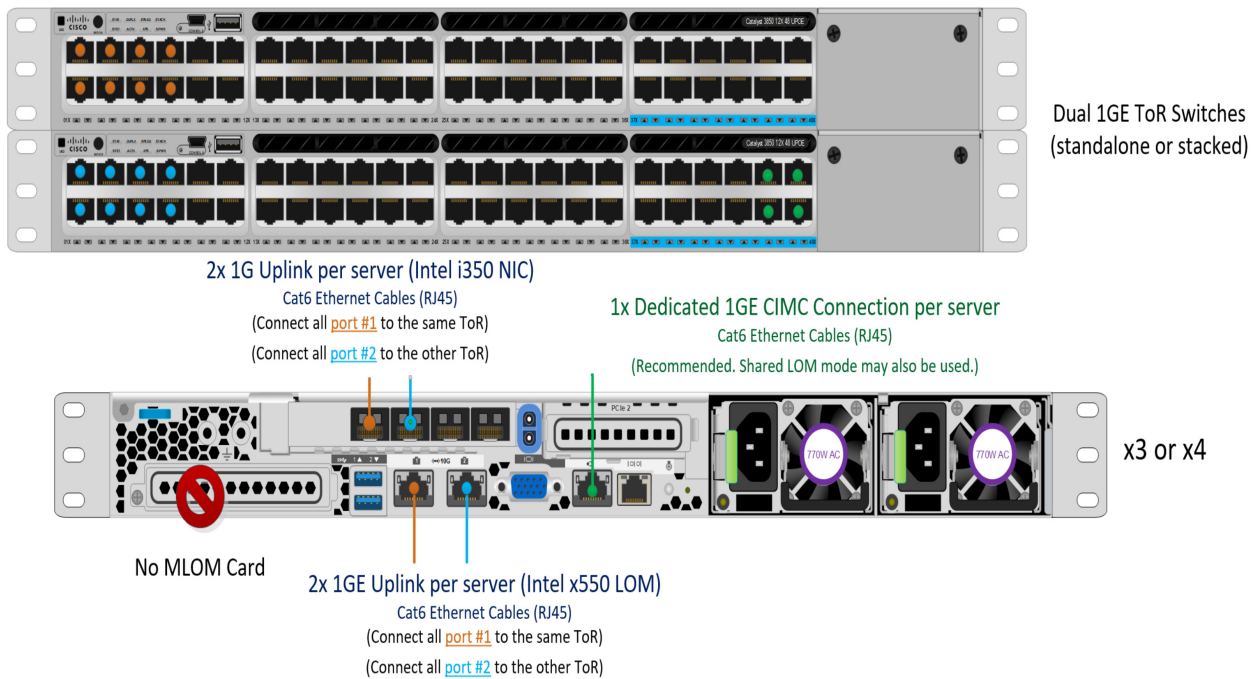
1 Gigabit Ethernet Dual Switch Topology

Dual switch cabling provides a slightly more complex topology with full redundancy that protects against: switch failure, link failure, switch port failure, and LOM/PCIe NIC HW failures. It requires two switches that may be standalone or stacked, and four 1GE ports for cluster and VM traffic, one 1GE port for CIMC management, and one Intel i350 PCIe NIC per server. Trunk ports are the only supported network port configuration. refer [1 Gigabit Ethernet Switch Configuration Guidelines](#) for more information.

To deploy this topology, select HX-E-TOPO2 from [STEP 9](#)

Figure 16 Physical cabling for the 1GE Dual Switch Topology. Detailed diagrams for network topologies can be found in the [pre-installation checklist](#).

3 & 4 Node Edge – Dual 1GE ToR Switches



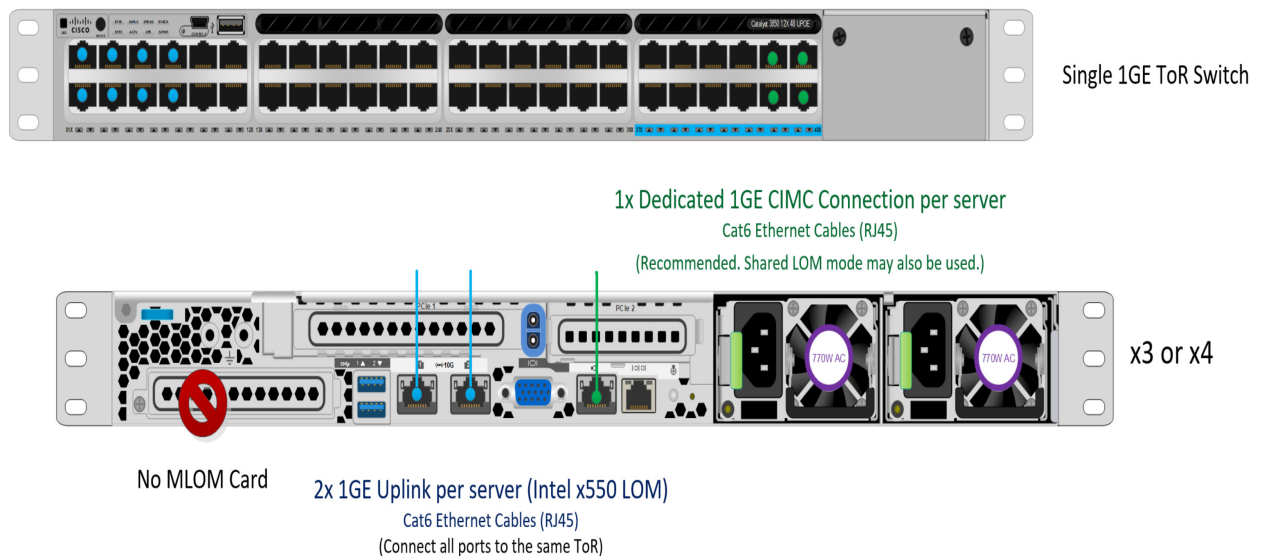
1 Gigabit Ethernet Single Switch Topology

Single switch configuration provides a simple topology requiring only a single switch, two 1GE ports for cluster and VM traffic, one 1GE port for CIMC management, and no additional PCIe NICs. Link or switch redundancy is not provided. Access ports and trunk ports are the two supported network port configurations. refer [1 Gigabit Ethernet Switch Configuration Guidelines](#) for more information.

To deploy this topology, select HX-E-TOPO3 from [STEP 9](#)

Figure 17 Physical cabling for the 1GE Single Switch Topology. Detailed diagrams for network topologies can be found in the [pre-installation checklist](#).

3 & 4 Node Edge – Single 1GE ToR Switch



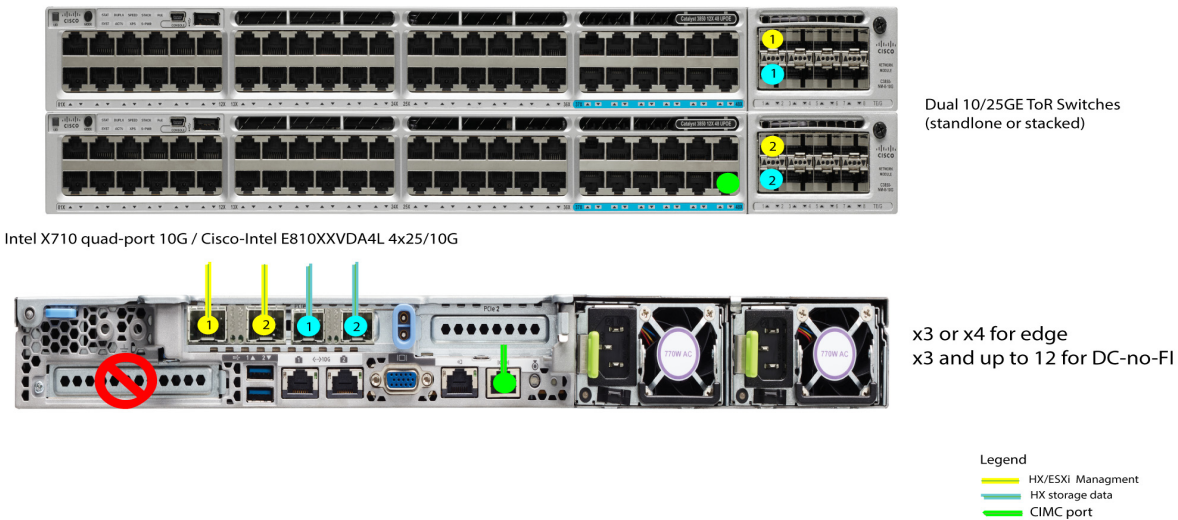
NIC Based 10 or 25 Gigabit Ethernet Dual Switch Topology (quad port)

Dual switch configuration provides a slightly more complex topology with full redundancy that protects against: switch failure, link failure, and port failure. It requires two switches that may be standalone or stacked, and four 10/25GE ports, one 1GE port for CIMC management, and 1 x quad port NIC per server. Trunk ports are the only supported network port configuration. refer [10/25 Gigabit Ethernet Switch Configuration Guidelines](#) for more information.

To deploy this topology, select HX-E-TOP05 from [STEP 9](#)

Figure 18 Physical cabling for the Quad Port NIC Based 10/25GE Dual Switch Topology.

3 or greater Node Edge/DC-no-FI - Dual 10/25GE



NIC Based 10 or 25 Gigabit Ethernet Dual Switch Topology (dual port)

Dual switch configuration provides a slightly more complex topology with full redundancy that protects against: switch failure, link failure, and port failure. It requires two switches that may be standalone or stacked, and four 10/25GE ports, one 1GE port for CIMC management, and 2 x dual port NIC per server. Trunk ports are the only supported network port configuration. refer [10/25 Gigabit Ethernet Switch Configuration Guidelines](#) for more information.

To deploy this topology, select HX-E-TOP05 from [STEP 9](#)

Figure 19 Physical cabling for the Dual Port NIC Based 10/25GE Dual Switch Topology.

3 or greater Node Edge/DC-no-FI - Dual 10/25GE



Dual 10/25GE ToR Switches (standalone or stacked)

Intel X710-DA2 Dual Port 10G / Cisco-Intel E810XXVDA2 2x25/10 G



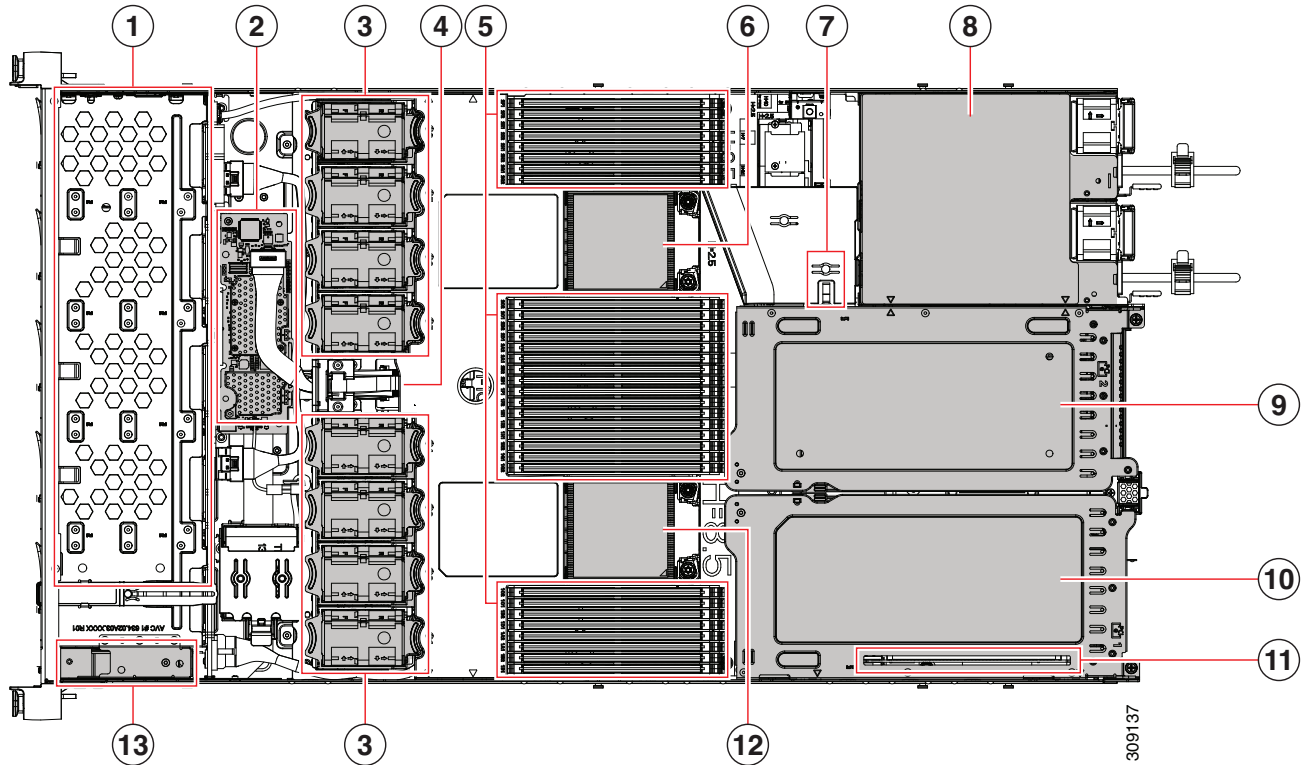
x3 or x4 for edge
x3 and up to 12 for DC-no-FI

- Legend
- HX/ESXi Management
 - HX storage data
 - CIMC port

Chassis

Internal views of the HX220 M6 Edge All Flash/Hybrid Server Nodes chassis with the top cover removed are shown in [Figure 20](#) and [Figure 21 on page 77](#).

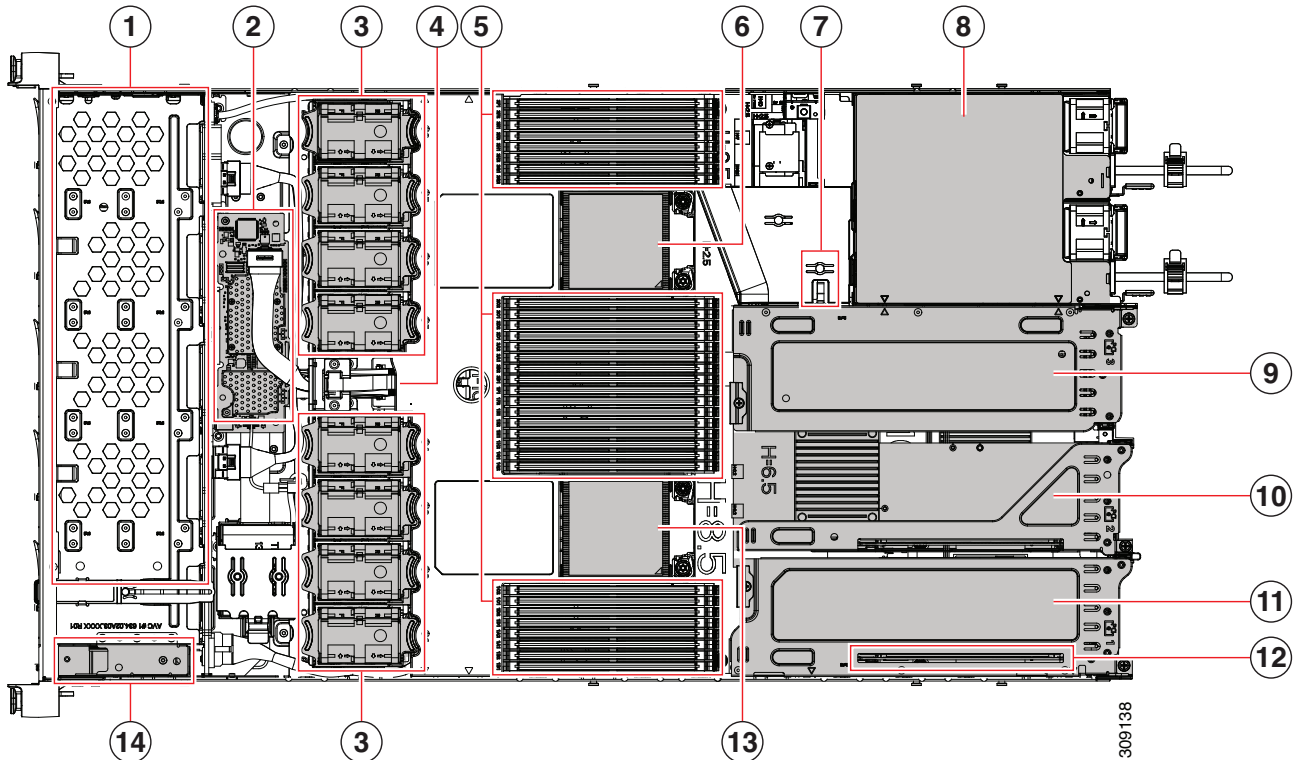
Figure 20 HX220 M6 Edge All Flash/Hybrid Server Nodes With Top Cover Off (full-height, full-width PCIe cards)



1	Front-loading drive bays	2	M6 modular RAID card
3	Cooling fan modules (eight) Each fan is hot-swappable	4	Supercap module mounting bracket
5	DIMM sockets on motherboard, 32 total, 16 per CPU CPUs are arranged in groups of eight sockets above the top CPU and below the bottom CPU, and 16 sockets between the CPUs.	6	Motherboard CPU2 socket
7	M.2 module connector, supporting a boot-optimized RAID controller with connectors for two SATA M.2 SSDs.	8	Two power supplies
9	PCIe riser 3 Accepts 1 full height, full width PCIe riser card	10	PCIe riser 1 Accepts 1 full height, full width PCIe riser card
11	Modular LOM (mLOM) card bay on chassis floor(x16 PCIe lane) Connector shown, but the card bay sits below PCIe riser 1.	12	Motherboard CPU1 socket
13	Front Panel Controller board	-	

An internal view of the HX220 M6 Edge All Flash/Hybrid Server Nodes chassis with the top cover removed is shown in [Figure 21](#).

Figure 21 HX220 M6 Edge All Flash/Hybrid Server Nodes With Top Cover Off (full-height, half-width PCIe cards)



1	Front-loading drive bays	2	M6 modular RAID card
3	Cooling fan modules (eight) Each fan is hot-swappable	4	Supercap module mounting bracket
5	DIMM sockets on motherboard, 32 total, 16 per CPU CPUs are arranged in groups of eight sockets above the top CPU and below the bottom CPU, and 16 sockets between the CPUs.	6	Motherboard CPU2 socket
7	M.2 module connector, supporting a boot-optimized RAID controller with connectors for two SATA M.2 SSDs.	8	Two power supplies
9	PCIe riser 3 Accepts 1 half height, half width PCIe riser card	10	PCIe riser 2 Accepts 1 half height, half width PCIe riser card
11	PCIe riser 1 Accepts 1 half height, half width PCIe riser card	12	Modular LOM (mLOM) card bay on chassis floor(x16 PCIe lane) Connector shown, but the card bay sits below PCIe riser slot 1.
13	Motherboard CPU1 socket	14	Front Panel Controller board

Risers

Figure 22 shows the locations of the PCIe riser connectors on the HX220 M6 Edge All Flash/Hybrid Server Nodes motherboard. The allowed configurations are:

- Half-height risers in riser 1 connector, riser 2 connector, and riser 3 connector, or
- Full-height risers in riser 1 connector and riser 3 connector.

See *Figure 23* and *Figure 24* for more details.

Figure 22 HX220 M6 Edge All Flash/Hybrid Server Nodes riser connector locations
HX220 M6 Motherboard

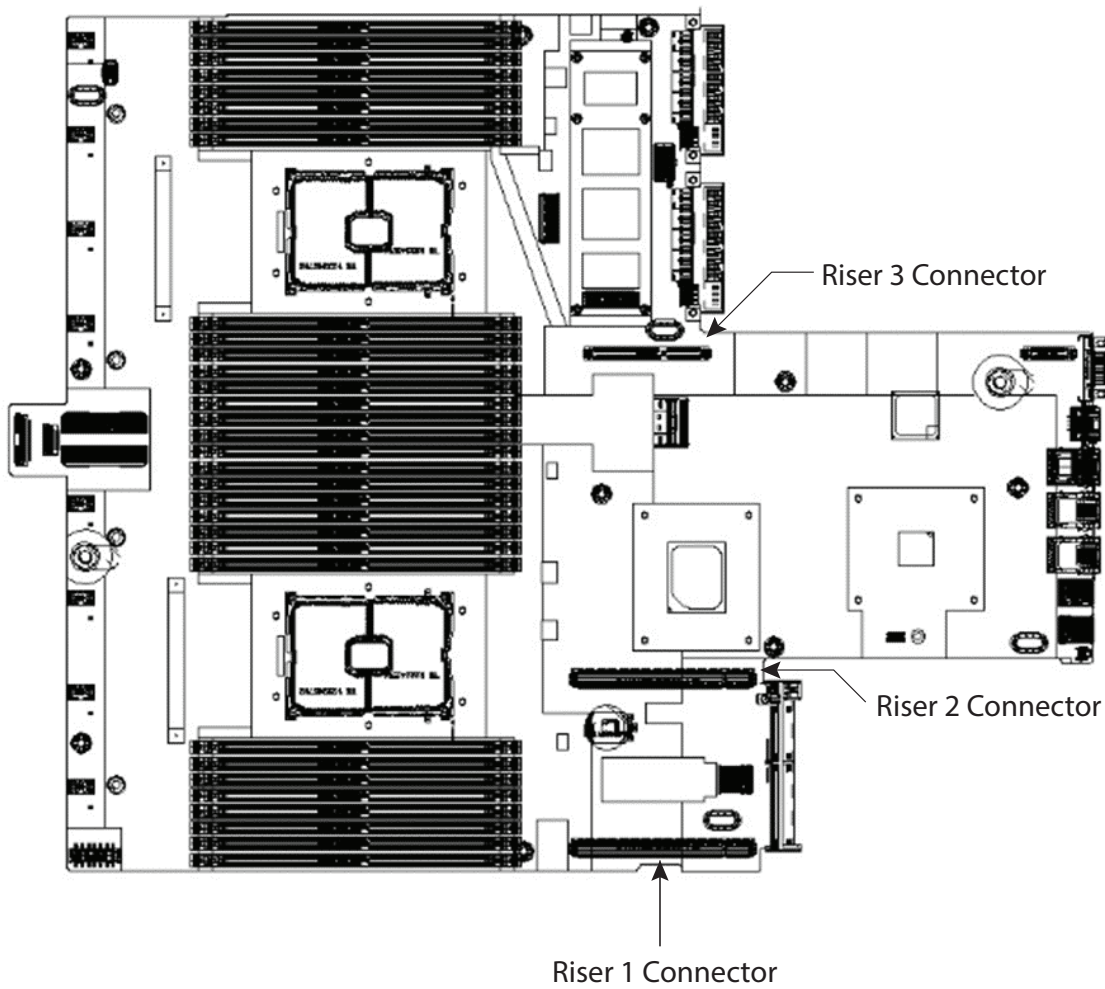


Figure 23 shows three half-height risers plugged into their respective connectors.

Figure 23 HX220 M6 Edge All Flash/Hybrid Server Nodes With Three Half-Height Risers Plugged In HX220M6 Motherboard

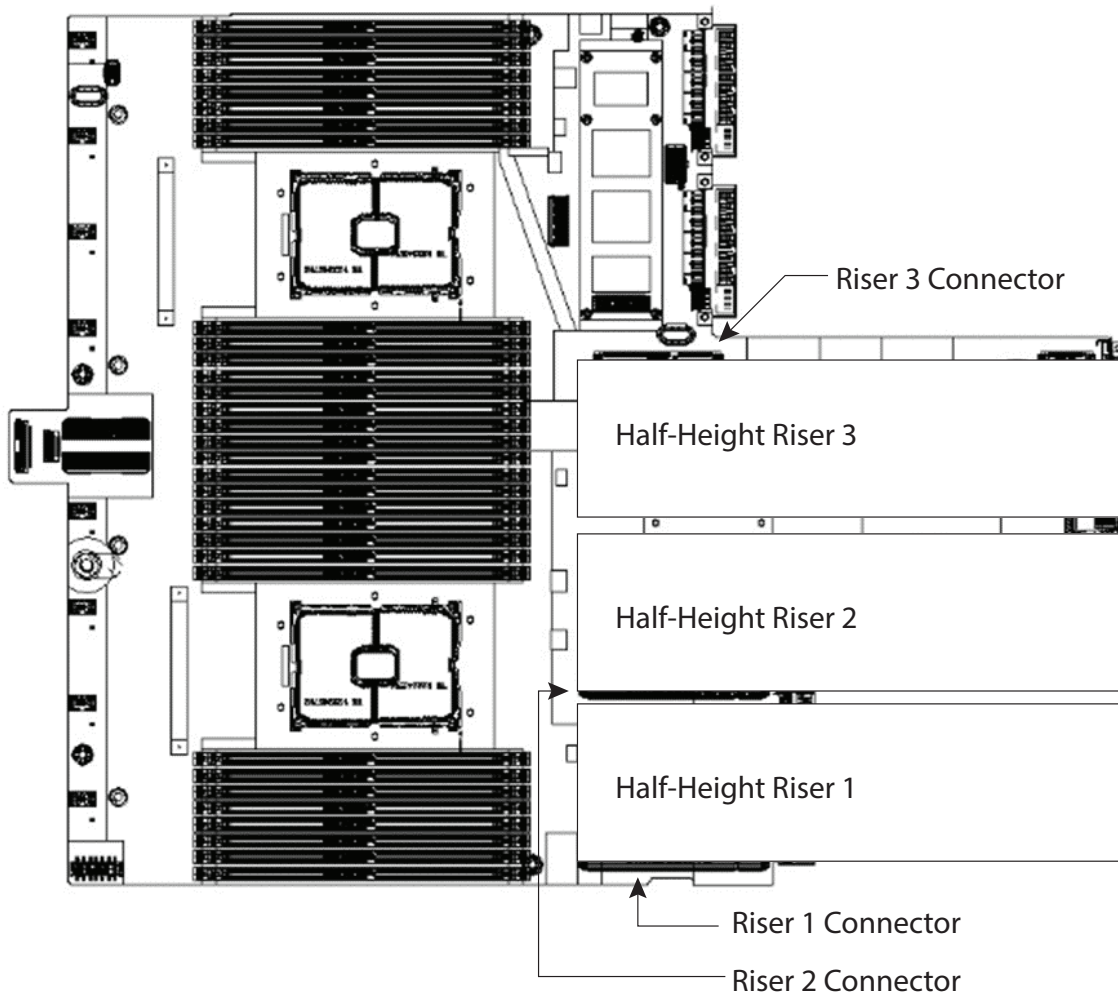
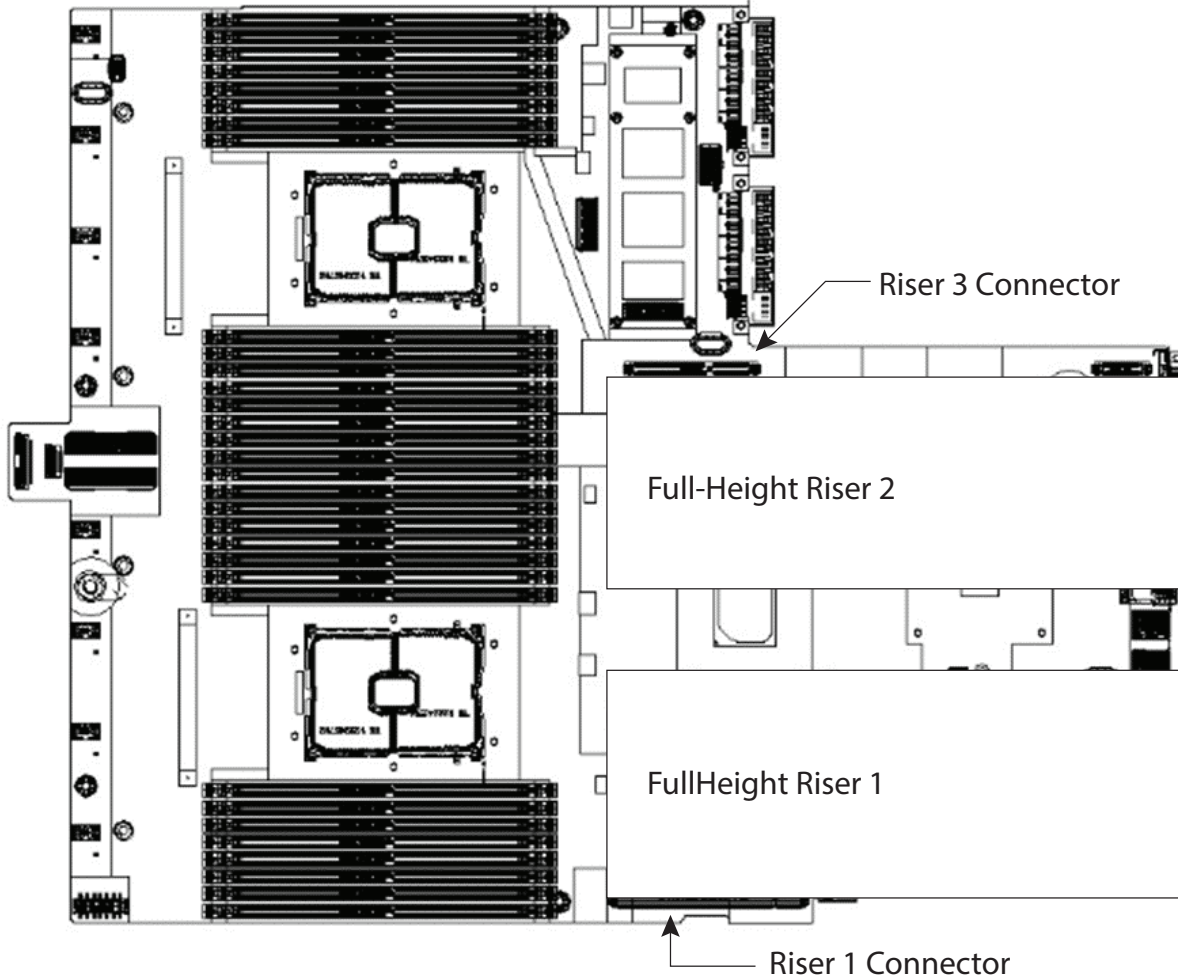


Figure 24 shows two full-height risers plugged in. Note that riser 1 is plugged into the riser 1 connector and riser 2 is plugged into the riser 3 connector. Riser 2 connector is not used.

Figure 24 HX220 M6 Edge All Flash/Hybrid Server Nodes With Two Full-Height Risers Plugged In HX220 M6 Motherboard

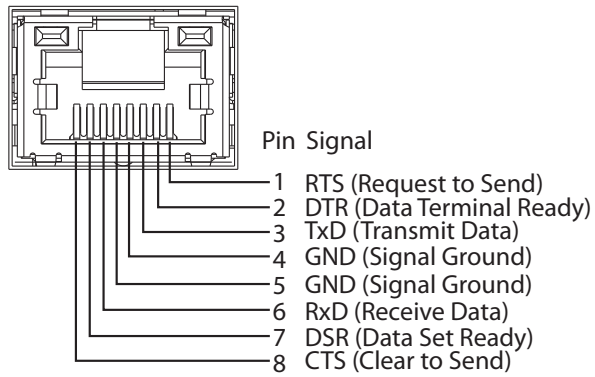


Serial Port Details

The pinout details of the rear RJ-45 serial port connector are shown in [Figure 25](#).

Figure 25 Serial Port (Female RJ-45 Connector) Pinout

Serial Port (RJ-45 Female Connector)



KVM Cable

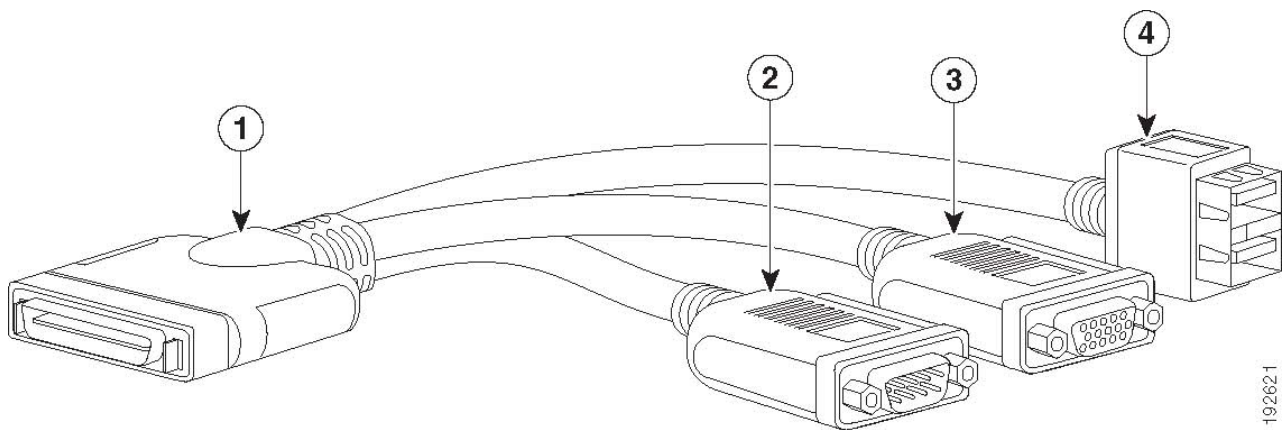
The KVM cable provides a connection into the server, providing a DB9 serial connector, a VGA connector for a monitor, and dual USB ports for a keyboard and mouse. With this cable, you can create a direct connection to the operating system and the BIOS running on the server.

The KVM cable ordering information is listed in [Table 39](#).

Table 39 KVM Cable

Product ID (PID)	PID Description
N20-BKVM	KVM local IO cable for UCS servers console port

Figure 26 KVM Cable



192621

1	Connector (to server front panel)	3	VGA connector (for a monitor)
2	DB-9 serial connector	4	Two-port USB connector (for a mouse and keyboard)

SPARE PARTS

This section lists the upgrade and service-related parts for the HX220 M6 Edge All Flash/Hybrid Server Nodes. Some of these parts are configured with every server.



NOTE: Some spare parts you order may also require accessories for full functionality. For example, drives or drive controllers may need accompanying cables. CPUs may need heatsinks, thermal paste, and installation tools. The spares and their accessory parts are listed in [Table 40](#).

Table 40 Spare Parts

Product ID (PID)	PID Description
KVM Cable	
N20-BKVM=	KVM local IO cable for UCS servers console port
Risers	
UCSC-R2R3-C220M6=	Kit containing two half-height risers (risers 2 and 3)
HX-GPURKIT-C220=	Kit containing a GPU mounting bracket and the following risers (risers 1 and 2)
UCSC-FBRS-C220M6=	Riser 2 and Riser 3 blank panels
CPUs	
<p>Note: If you are ordering a second CPU, see the CPU Accessories section in this table for additional parts you may need to order for the second CPU.</p>	
8000 Series Processors	
HX-CPU-I8380=	Intel 8380 2.3GHz/270W 40C/60MB DDR4 3200MHz
HX-CPU-I8368=	Intel 8368 2.4GHz/270W 38C/57MB DDR4 3200MHz
HX-CPU-I8362=	Intel 8362 2.8GHz/265W 32C/48MB DDR4 3200MHz-
HX-CPU-I8360Y=	Intel 8360Y 2.4GHz/250W 36C/54MB DDR4 3200MHz
HX-CPU-I8358P=	Intel 8358P 2.6GHz/240W 32C/48MB DDR4 3200MHz
HX-CPU-I8358=	Intel 8358 2.6GHz/250W 32C/48MB DDR4 3200MHz
HX-CPU-I8352Y=	Intel 8352Y 2.2GHz/205W 32C/48MB DDR4 3200MHz
HX-CPU-I8352V=	Intel 8352V 2.1GHz/195W 36C/54MB DDR4 2933MHz
HX-CPU-I8352M=	Intel 8352M 2.3GHz/185W 32C/48MB DDR4 3200MHz
HX-CPU-I8352S=	Intel 8352S 2.2GHz/205W 32C/48MB DDR4 3200MHz
HX-CPU-I8351N=	Intel 8351N 2.4GHz/225W 36C/54MB DDR4 2933MHz

Table 40 Spare Parts (continued)

Product ID (PID)	PID Description
6000 Series Processors	
HX-CPU-I6354=	Intel 6354 3.0GHz/205W 18C/39MB DDR4 3200MHz
HX-CPU-I6348=	Intel 6348 2.6GHz/235W 28C/42MB DDR4 3200MHz
HX-CPU-I6346=	Intel 6346 3.1GHz/205W 16C/36MB DDR4 3200MHz
HX-CPU-I6342=	Intel 6342 2.8GHz/230W 24C/36MB DDR4 3200MHz
HX-CPU-I6338N=	Intel 6338T 2.1GHz/165W 24C/36MB DDR4 3200MHz
HX-CPU-I6338T=	Intel 6338N 2.2GHz/185W 32C/48MB DDR4 2667MHz
HX-CPU-I6338=	Intel 6338 2.0GHz/205W 32C/48MB DDR4 3200MHz
HX-CPU-I6336Y=	Intel 6336Y 2.4GHz/185W 24C/36MB DDR4 3200MHz
HX-CPU-I6334=	Intel 6334 3.6GHz/165W 8C/18MB DDR4 3200MHz
HX-CPU-I6330N=	Intel 6330N 2.2GHz/165W 28C/42MB DDR4 2667MHz
HX-CPU-I6330=	Intel 6330 2.0GHz/205W 28C/42MB DDR4 2933MHz
HX-CPU-I6326=	Intel 6326 2.9GHz/185W 16C/24MB DDR4 3200MHz
HX-CPU-I6314U=	Intel 6314U 2.3GHz/205W 32C/48MB DDR4 3200MHz
HX-CPU-I6312U=	Intel 6312U 2.4GHz/185W 24C/36MB DDR4 3200MHz
5000 Series Processors	
HX-CPU-I5320T=	Intel 5320T 2.3GHz/150W 20C/30MB DDR4 2933MHz
HX-CPU-I5320=	Intel 5320 2.2GHz/185W 26C/39MB DDR4 2933MHz
HX-CPU-I5318N=	Intel 5318Y 2.1GHz/165W 24C/36MB DDR4 2933MHz
HX-CPU-I5318S=	Intel 5318S 2.1GHz/165W 24C/36MB DDR4 2933MHz
HX-CPU-I5318Y=	Intel 5318N 2.1GHz/150W 24C/36MB DDR4 2667MHz
HX-CPU-I5317=	Intel 5317 3.0GHz/150W 12C/18MB DDR4 2933MHz
HX-CPU-I5315Y=	Intel 5315Y 3.2GHz/140W 8C/12MB DDR4 2933MHz
4000 Series Processors	
HX-CPU-I4316=	Intel 4316 2.3GHz/150W 20C/30MB DDR4 2667MHz
HX-CPU-I4314=	Intel 4314 2.4GHz/135W 16C/24MB DDR4 2667MHz
HX-CPU-I4310T=	Intel 4310T 2.3GHz/105W 10C/15MB DDR4 2667MHz
HX-CPU-I4310=	Intel 4310 2.1GHz/120W 12C/18MB DDR4 2667MHz
HX-CPU-I4309Y=	Intel 4309Y 2.8GHz/105W 8C/12MB DDR4 2667MHz

Table 40 Spare Parts (continued)


Product ID (PID)	PID Description
CPU Accessories	
UCSC-HSLP-M6=	Heatsink for 1U/2U LFF/SFF GPU SKU
UCS-CPU-TIM=	Single CPU thermal interface material syringe for M5 server HS seal ¹
UCS-M6-CPU-CAR=	Spare CPU Carrier for M6
UCSX-HSCK=	UCS Processor Heat Sink Cleaning Kit (when replacing a CPU)
UCS-CPUAT=	CPU Assembly Tool for M5 Servers
UCSC-FAN-C220M6=	C220M6 2U Fan
3200-MHz DIMMs	
HX-MR-X16G1RW=	16 GB RDIMM SRx4 3200 (8Gb)
HX-MR-X32G1RW=	32 GB RDIMM SRx4 3200 (16Gb)
HX-MR-X32G2RW=	32 GB RDIMM DRx4 3200 (8Gb)
HX-MR-X64G2RW=	64 GB RDIMM DRx4 3200 (16Gb)
HX-ML-128G4RW=	128 GB LRDIMM QRx4 3200 (16Gb)
DIMM Blank	
UCS-DIMM-BLK=	UCS DIMM Blank
Drives	
 <p>Note: When ordering additional SAS/SATA front or rear drives, you may need to order a cable to connect from the drive to the motherboard. See the Drive Cables section in this table.</p>	
HXAF-E-220M6S (All Flash)	
Front Capacity Drive	
HX-SD19T61X-EV=	1.9TB 2.5 inch Enterprise Value 6G SATA SSD
HX-SD38T61X-EV=	3.8TB 2.5 inch Enterprise Value 6G SATA SSD
HX-SD76T61X-EV=	7.6TB 2.5 inch Enterprise Value 6G SATA SSD
HX-SD960G6S1X-EV=	960GB 2.5 inch Enterprise Value 6G SATA SSD
HX-SD19T6S1X-EV=	1.9TB 2.5 inch Enterprise Value 6G SATA SSD
HX-SD38T6S1X-EV=	3.8TB 2.5 inch Enterprise Value 6G SATA SSD
HX-SD76T6S1X-EV=	7.6TB 2.5 inch Enterprise Value 6G SATA SSD
Front Cache Drive	

Table 40 Spare Parts (continued)



Product ID (PID)	PID Description
HX-SD800GK3X-EP=	800GB 2.5in Enterprise Performance 12G SAS SSD(3X endurance)
Front System Drive	
HX-SD240GM1X-EV=	240GB 2.5 inch Enterprise Value 6G SATA SSD
Boot Drive	
HX-M2-240GB=	240GB SATA M.2
HX-M2-HWRAID=	Cisco Boot optimized M.2 Raid controller
HX-E-220M6S (Hybrid)	
Front Capacity Drive	
HX-HD12TB10K12N=	1.2 TB 12G SAS 10K RPM SFF HDD
HX-HD18TB10K4KN=	1.8TB 12G SAS 10K RPM SFF HDD (4K)
HX-HD24TB10K4KN=	2.4 TB 12G SAS 10K RPM SFF HDD (4K)
Front Cache Drive	
HX-SD480G63X-EP=	480GB 2.5in Enterprise Performance 6GSATA SSD(3X endurance)
Front System Drive	
HX-SD240GM1X-EV=	240GB 2.5 inch Enterprise Value 6G SATA SSD
Boot Drive	
HX-M2-240GB=	240GB SATA M.2
HX-M2-HWRAID=	Cisco Boot optimized M.2 Raid controller
Drive Cables	
CBL-SATA-C220M6=	SATA cable C220M6 (1U)
	Note: Order this cable if you are adding a front SAS/SATA drive.
Drive Blanking Panel	
UCSC-BBLKD-S2=	C-Series M5 SFF drive blanking panel
Drive Controllers	
	Note: If you are ordering a HX-SAS-220M6 you might need to order SAS cables. See the Drive Controller Cables section of this table.

Table 40 Spare Parts (continued)


Product ID (PID)	PID Description
HX-SAS-220M6=	Cisco 12G SAS HBA
Drive Controller Cables	
CBL-SAS-C220M6=	C220M6 SAS cable (1U)
 <p>Note: Order this cable if you are adding a HX-SAS-220M6 SAS controller</p>	
Low Profile Bracket	
UCSC-LP-C25-1485=	Low profile bracket for VIC
UCSC-LP-C40-1485 =	Low profile bracket for VIC1495
Modular LAN on Motherboard (mLOM)	
HX-M-V25-04=	Cisco UCS VIC 1467 quad port 10/25G SFP28 mLOM
Network Interface Cards (NICs)	
1 Gb NICs	
HX-PCIE-IRJ45=	Intel i350 quad-port 1G copper PCIe
10 Gb NICs	
HX-PCIE-ID10GF=	Intel X710-DA2 Dual Port 10Gb SFP+ NIC
HX-PCIE-IQ10GF=	Intel X710 quad-port 10G SFP+ NIC
HX-P-ID10GC=	Cisco-Intel X710T2LG 2x10 GbE RJ45 PCIe NIC
25 Gb NICs	
HX-P-I8D25GF=	Cisco-Intel E810XXVDA2 2x25/10 GbE SFP28 PCIe NIC
HX-P-I8Q25GF=	Cisco-Intel E810XXVDA4L 4x25/10 GbE SFP28 PCIe NIC
GPU	
HX-GPU-T4-16=	NVIDIA T4 PCIE 75W 16GB
Power Supplies	
HX-PSU1-1050W=	1050W AC PSU Platinum (Not EU/UK Lot 9 Compliant)
HX-PSUV2-1050DC=	1050W -48V DC Power Supply for Rack Server
HX-PSU1-1600W=	1600W AC PSU Platinum (Not EU/UK Lot 9 Compliant)
HX-PSU1-2300W=	2300W AC Power Supply for Rack Servers Titanium
PSU (Input Low Line 110VAC)	

Table 40 Spare Parts (continued)

Product ID (PID)	PID Description
HX-PSU1-1050W=	1050W AC PSU Platinum (Not EU/UK Lot 9 Compliant)
HX-PSUV2-1050DC=	1050W -48V DC Power Supply for Rack Server
HX-PSU1-2300W=	2300W AC Power Supply for Rack Servers Titanium
HX-PSU1-1050ELV	1050W AC PSU Enhanced Low Line (Not EU/UK Lot 9 Compliant)
UCSC-PSU-M5BLK=	Power Supply Blanking Panel for M5 servers
Power Cables	
CAB-48DC-40A-8AWG=	C-Series -48VDC PSU Power Cord, 3.5M, 3 Wire, 8AWG, 40A
CAB-N5K6A-NA=	Power Cord, 200/240V 6A, North America
CAB-AC-L620-C13=	AC Power Cord, NEMA L6-20 - C13, 2M/6.5ft
CAB-C13-CBN=	CABASY,WIRE,JUMPER CORD, 27" L, C13/C14, 10A/250V
CAB-C13-C14-2M=	CABASY,WIRE,JUMPER CORD, PWR, 2 Meter, C13/C14,10A/250V
CAB-C13-C14-AC=	CORD,PWR,JMP,IEC60320/C14,IEC6 0320/C13, 3.0M
CAB-250V-10A-AR=	Power Cord, 250V, 10A, Argentina
CAB-9K10A-AU=	Power Cord, 250VAC 10A 3112 Plug, Australia
CAB-250V-10A-CN=	AC Power Cord - 250V, 10A - PRC
CAB-9K10A-EU=	Power Cord, 250VAC 10A CEE 7/7 Plug, EU
CAB-250V-10A-ID=	Power Cord, SFS, 250V, 10A, India
CAB-250V-10A-IS=	Power Cord, SFS, 250V, 10A, Israel
CAB-9K10A-IT=	Power Cord, 250VAC 10A CEI 23-16/VII Plug, Italy
CAB-9K10A-SW=	Power Cord, 250VAC 10A MP232 Plug, Switzerland
CAB-9K10A-UK=	Power Cord, 250VAC 10A BS1363 Plug (13 A fuse), UK
CAB-9K12A-NA=	Power Cord, 125VAC 13A NEMA 5-15 Plug, North America
CAB-250V-10A-BR=	Power Cord - 250V, 10A - Brazil
CAB-C13-C14-2M-JP=	Power Cord C13-C14, 2M/6.5ft Japan PSE mark
CAB-9K10A-KOR=	Power Cord, 125VAC 13A KSC8305 Plug, Korea
CAB-ACTW=	AC Power Cord (Taiwan), C13, EL 302, 2.3M
CAB-JPN-3PIN=	Japan, 90-125VAC 12A NEMA 5-15 Plug, 2.4m
Rail Kit	
HX-RAIL-M6=	Ball Bearing Rail Kit for C220 and C240 M6 rack servers

Table 40 Spare Parts (continued)

Product ID (PID)	PID Description
CMA	
HX-CMA-C220M6=	Reversible CMA for C220 M6 ball bearing rail kit
Security	
HX-TPM-002C=	TPM 2.0, TCG, FIPS140-2, CC EAL4+ Certified, for M6 servers
HX-INT-SW02=	C220 and C240 M6 Chassis Intrusion Switch
Bezel	
HXAF220C-BZL-M5S=	HXAF220C M5 Security Bezel
HX220C-BZL-M5=	HX220C M5 Security Bezel

Notes:

1. This part is included with the purchase of option or spare CPU or CPU processor kits.

UPGRADING or REPLACING CPUs



NOTE: Before servicing any CPU, do the following:

- Decommission and power off the server.
- Slide the HX220 M6 Edge All flash and Hybrid Server Node out from the rack.
- Remove the top cover.

To replace an existing CPU, follow these steps:

(1) Have the following tools and materials available for the procedure:

- T-30 Torx driver—Supplied with replacement CPU.
- #1 flat-head screwdriver—Supplied with replacement CPU.
- CPU assembly tool—Supplied with replacement CPU. Can be ordered separately as Cisco PID UCS-CPUAT=.
- Heatsink cleaning kit—Supplied with replacement CPU. Can be ordered separately as Cisco PID UCSX-HSCK=.
- Thermal interface material (TIM)—Syringe supplied with replacement CPU. Can be ordered separately as Cisco PID UCS-CPU-TIM=.

(2) Order the appropriate replacement CPU from [Table 5 on page 20](#)

Carefully remove and replace the CPU and heatsink in accordance with the instructions found in “Cisco M5 Server Installation and Service Guide” found at:

https://www.cisco.com/content/en/us/td/docs/unified_computing/ucs/c/hw/c220m6/install/c220m6.html

To add a new CPU, follow these steps:

(1) Have the following tools and materials available for the procedure:

- T-30 Torx driver—Supplied with new CPU.
- #1 flat-head screwdriver—Supplied with new CPU
- CPU assembly tool—Supplied with new CPU. Can be ordered separately as Cisco PID UCS-CPUAT=
- Thermal interface material (TIM)—Syringe supplied with replacement CPU. Can be ordered separately as Cisco PID UCS-CPU-TIM=

(2) Order the appropriate new CPU from [Table 5 on page 20](#)

(3) Order one heat sink for each new CPU. Order PID UCSC-HSLP-M6=.

Carefully install the CPU and heatsink in accordance with the instructions found in “Cisco M5 Server Installation and Service Guide” found at:

https://www.cisco.com/content/en/us/td/docs/unified_computing/ucs/c/hw/c220m6/install/c220m6.html

UPGRADING or REPLACING MEMORY



NOTE: Before servicing any DIMM do the following:

- Decommission and power off the server.
- Remove the top cover from the server
- Slide the server out the front of the chassis.

To add or replace DIMMs follow these steps:

Step 1 Open both DIMM connector latches.

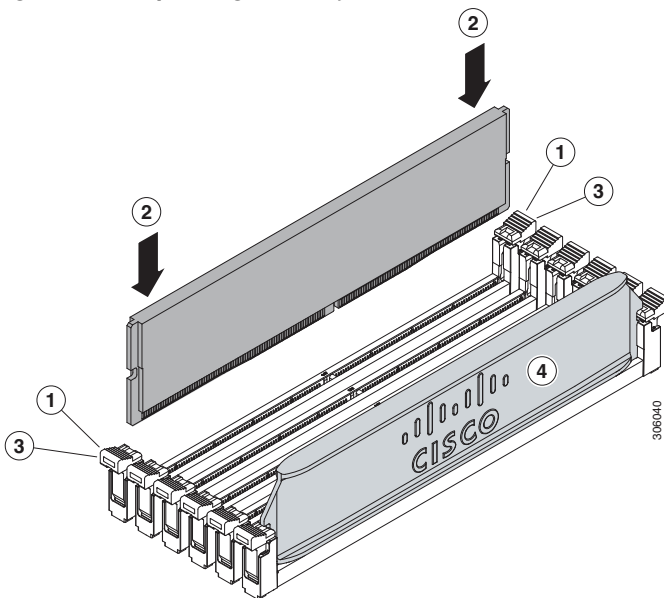
Step 2 Press evenly on both ends of the DIMM until it clicks into place in its slot

Note: Ensure that the notch in the DIMM aligns with the slot. If the notch is misaligned, it is possible to damage the DIMM, the slot, or both.

Step 3 Press the DIMM connector latches inward slightly to seat them fully.

Step 4 Populate all slots with a DIMM or DIMM blank. A slot cannot be empty.

Figure 27 Replacing Memory



For additional details on replacing or upgrading DIMMs, see “Cisco M5 Server Installation and Service Guide” found at this link:

https://www.cisco.com/content/en/us/td/docs/unified_computing/ucs/c/hw/c220m6/install/c220m6.html

TECHNICAL SPECIFICATIONS

Dimensions and Weight

Table 41 HX220 M6 Edge All Flash/Hybrid Server Nodes Dimensions and Weight

Parameter	Value
Height	1.70 in. (4.3 cm)
Width (Not including slam latches)	16.9 in. (42.9 cm)
Width (including slam latches)	18.9 in. (48.0 cm)
Depth	30 in. (76.2 cm)
Front Clearance	3 in. (76 mm)
Side Clearance	1 in. (25 mm)
Rear Clearance	6 in. (152 mm)
Weight	
Weight with following options and no rail kit: 1 HDD, 1 CPU, 1 DIMM, and 1 1600 W power supply	22.32 lbs (10.1 kg)
Weight with following options and including rail kit: 1 HDD, 1 CPU, 1 DIMM, and 1 1600 W power supply	32.38 lbs (14.7 kg)
Weight with following options and no rail kit: 10 HDDs, 2 CPUs, 32 DIMMs, and 2 1600 W power supplies	32.38 lbs (14.7 kg)
Weight with following options and including rail kit: 10 HDDs, 2 CPUs, 32 DIMMs, and 2 1600 W power supplies	42.43 lbs (19.3 kg)

Power Specifications

The server is available with the following types of power supplies:

- 1050 W (AC) power supply (see [Table 42](#)).
- 1050 W V2 (DC) power supply (see [Table 43](#))
- 1600 W (AC) power supply (see [Table 44](#))
- 2300 W (AC) power supply (see [Table 45](#))

Table 42 HX220 M6 Edge All Flash/Hybrid Server Nodes Power Specifications (1050 W AC power supply)

Parameter	Specification			
Input Connector	IEC320 C14			
Input Voltage Range (V rms)	100 to 240			
Maximum Allowable Input Voltage Range (V rms)	90 to 264			
Frequency Range (Hz)	50 to 60			
Maximum Allowable Frequency Range (Hz)	47 to 63			
Maximum Rated Output (W) ¹	800		1050	
Maximum Rated Standby Output (W)	36			
Nominal Input Voltage (V rms)	100	120	208	230
Nominal Input Current (A rms)	9.2	7.6	5.8	5.2
Maximum Input at Nominal Input Voltage (W)	889	889	1167	1154
Maximum Input at Nominal Input Voltage (VA)	916	916	1203	1190
Minimum Rated Efficiency (%) ²	90	90	90	91
Minimum Rated Power Factor ²	0.97	0.97	0.97	0.97
Maximum Inrush Current (A peak)	15			
Maximum Inrush Current (ms)	0.2			
Minimum Ride-Through Time (ms) ³	12			

Notes:

1. Maximum rated output is limited to 800W when operating at low-line input voltage (100-127V)
2. This is the minimum rating required to achieve 80 PLUS Platinum certification, see test reports published at <http://www.80plus.org/> for certified values
3. Time output voltage remains within regulation limits at 100% load, during input voltage dropout

Table 43 HX220 M6 Edge All Flash/Hybrid Server Nodes Power Specifications (1050 W V2 DC power supply)

Parameter	Specification
Input Connector	Molex 42820
Input Voltage Range (V rms)	-48
Maximum Allowable Input Voltage Range (V rms)	-40 to -72
Frequency Range (Hz)	NA
Maximum Allowable Frequency Range (Hz)	NA
Maximum Rated Output (W)	1050
Maximum Rated Standby Output (W)	36
Nominal Input Voltage (V rms)	-48
Nominal Input Current (A rms)	24
Maximum Input at Nominal Input Voltage (W)	1154
Maximum Input at Nominal Input Voltage (VA)	1154
Minimum Rated Efficiency (%) ¹	91
Minimum Rated Power Factor ¹	NA
Maximum Inrush Current (A peak)	15
Maximum Inrush Current (ms)	0.2
Minimum Ride-Through Time (ms) ²	5

Notes:

1. This is the minimum rating required to achieve 80 PLUS Platinum certification, see test reports published at <http://www.80plus.org/> for certified values
2. Time output voltage remains within regulation limits at 100% load, during input voltage dropout

Table 44 HX220 M6 Edge All Flash/Hybrid Server Nodes 1600 W (AC) Power Supply Specifications

Parameter	Specification			
Input Connector	IEC320 C14			
Input Voltage Range (V rms)	200 to 240			
Maximum Allowable Input Voltage Range (V rms)	180 to 264			
Frequency Range (Hz)	50 to 60			
Maximum Allowable Frequency Range (Hz)	47 to 63			
Maximum Rated Output (W)	1600			
Maximum Rated Standby Output (W)	36			
Nominal Input Voltage (V rms)	100	120	208	230
Nominal Input Current (A rms)	NA	NA	8.8	7.9
Maximum Input at Nominal Input Voltage (W)	NA	NA	1778	1758
Maximum Input at Nominal Input Voltage (VA)	NA	NA	1833	1813
Minimum Rated Efficiency (%) ¹	NA	NA	90	91
Minimum Rated Power Factor ²	NA	NA	0.97	0.97
Maximum Inrush Current (A peak)	30			
Maximum Inrush Current (ms)	0.2			
Minimum Ride-Through Time (ms) ²	12			

Notes:

1. This is the minimum rating required to achieve 80 PLUS Platinum certification, see test reports published at <http://www.80plus.org/> for certified values
2. Time output voltage remains within regulation limits at 100% load, during input voltage dropout

Table 45 HX220 M6 Edge All Flash/Hybrid Server Nodes 2300 W (AC) Power Supply Specifications

Parameter	Specification			
Input Connector	IEC320 C20			
Input Voltage Range (Vrms)	100 to 240			
Maximum Allowable Input Voltage Range (Vrms)	90 to 264			
Frequency Range (Hz)	50 to 60			
Maximum Allowable Frequency Range (Hz)	47 to 63			
Maximum Rated Output (W) ¹	2300			
Maximum Rated Standby Output (W)	36			
Nominal Input Voltage (Vrms)	100	120	208	230
Nominal Input Current (Arms)	13	11	12	10.8
Maximum Input at Nominal Input Voltage (W)	1338	1330	2490	2480
Maximum Input at Nominal Input Voltage (VA)	1351	1343	2515	2505
Minimum Rated Efficiency (%) ²	92	92	93	93
Minimum Rated Power Factor ²	0.99	0.99	0.97	0.97
Maximum Inrush Current (A peak)	30			
Maximum Inrush Current (ms)	0.2			
Minimum Ride-Through Time (ms) ³	12			

Notes:

1. Maximum rated output is limited to 1200W when operating at low-line input voltage (100-127V)
2. This is the minimum rating required to achieve 80 PLUS Titanium certification, see test reports published at <http://www.80plus.org/> for certified values
3. Time output voltage remains within regulation limits at 100% load, during input voltage dropout

For configuration-specific power specifications, use the Cisco UCS Power Calculator at this URL:

<http://ucspowercalc.cisco.com>

Environmental Specifications

The environmental specifications for the HX220 M6 server are listed in [Table 46](#).

Table 46 HX220 M6 Environmental Specifications

Parameter	Minimum
Operating Temperature	Dry bulb temperature of 10°C to 35°C (50°F to 95°F) Maximum temperature change of 20°C (36°F) per hour (a temperature change within a specified period of time and not a rate of change) Humidity condition: Uncontrolled, not to exceed 50% RH starting condition Derate the maximum temperature by 1°C (33.8°F) per every 305 meters of altitude above 900m
Extended Operating Temperature	5°C to 40°C (41°F to 104°F) with no direct sunlight Humidity condition: Uncontrolled, not to exceed 50% RH starting condition Derate the maximum temperature by 1°C (33.8°F) per every 305 meters of altitude above 900m
Non-Operating Temperature	Dry bulb temperature of -40°C to 65°C (-40°F to 149°F)
Operating Relative Humidity	10% to 90% and 28°C (82.4°F) maximum dew-point temperature, non-condensing environment Minimum to be higher (more moisture) of -12°C (10.4°F) dew point or 8% relative humidity Maximum to be 24°C (75.2°F) dew point or 90% relative humidity
Non-Operating Relative Humidity	5% to 93% relative humidity, non-condensing, with a maximum wet bulb temperature of 28°C across the 20°C to 40°C dry bulb range.
Maximum Operating Duration	Unlimited
Operating Altitude	A maximum elevation of 3050 meters (10,006 ft)
Non-Operating Altitude	An elevation of 0 to 12,000 meters (39,370 ft)
Sound Power level, Measure A-weighted per ISO7779 LWAd (Bels) Operation at 23°C (73°F)	5.5
Sound Pressure level, Measure A-weighted per ISO7779 LpAm (dBA) Operation at 23°C (73°F)	40

Extended Operating Temperature Hardware Configuration Limits

Table 47 HX220 M6 Edge All Flash/Hybrid Server Nodes extended operating temperature hardware Configuration Limits

Platform ¹	ASHRAE A3 (5°C to 40°C) ²	ASHRAE A4 (5°C to 45°C) ³
Processors:	155W+	155W+ and 105W+ (4 or 6 Cores)
Memory:	LRDIMMs	LRDIMMs
Storage:	M.2 SATA SSDs	M.2 SATA SSDs
Peripherals:	GPUs	MRAID GPUs mLOMs VICs NICs

Notes:

1. Two PSUs are required and PSU failure is not supported
2. Non-Cisco UCS qualified peripherals and/or peripherals that consume more than 25W are not supported
3. High power or maximum power fan control policy must be applied

Compliance Requirements

The regulatory compliance requirements for servers are listed in [Table 48](#).

Table 48 HX-Series Regulatory Compliance Requirements

Parameter	Description
Regulatory Compliance	Products should comply with CE Markings per directives 2014/30/EU and 2014/35/EU
Safety	UL 60950-1 Second Edition CAN/CSA-C22.2 No. 60950-1 Second Edition EN 60950-1 Second Edition IEC 60950-1 Second Edition AS/NZS 60950-1 GB4943 2001
EMC - Emissions	47CFR Part 15 (CFR 47) Class A AS/NZS CISPR32 Class A CISPR32 Class A EN55032 Class A ICES003 Class A VCCI Class A EN61000-3-2 EN61000-3-3 KN32 Class A CNS13438 Class A
EMC - Immunity	EN55024 CISPR24 EN300386 KN35



Americas Headquarters
Cisco Systems, Inc.
San Jose, CA

Asia Pacific Headquarters
Cisco Systems (USA) Pte. Ltd.
Singapore

Europe Headquarters
Cisco Systems International BV Amsterdam,
The Netherlands

Cisco has more than 200 offices worldwide. Addresses, phone numbers, and fax numbers are listed on the Cisco Website at www.cisco.com/go/offices.

Cisco and the Cisco Logo are trademarks of Cisco Systems, Inc. and/or its affiliates in the U.S. and other countries. A listing of Cisco's trademarks can be found at www.cisco.com/go/trademarks. Third party trademarks mentioned are the property of their respective owners. The use of the word partner does not imply a partnership relationship between Cisco and any other company. (1005R)

