



Cisco HyperFlex HXAF220c M5 Node (All NVMe)

OVERVIEW	3
DETAILED VIEWS	4
Chassis Front View	4
Chassis Rear View	5
BASE NODE STANDARD CAPABILITIES and FEATURES	6
CONFIGURING the HyperFlex HXAF220c M5 All NVMe Node	9
STEP 1 VERIFY SERVER SKU	10
STEP 2 SELECT DEPLOYMENT MODE (OPTIONAL)	11
STEP 3 SELECT CPU(s)	12
STEP 4 SELECT MEMORY	16
CPU DIMM Configuration Table	19
.....	20
STEP 5 SELECT DRIVES	21
STEP 6 SELECT PCIe OPTION CARD(s)	23
STEP 7 ORDER GPU CARDS (OPTIONAL)	25
STEP 8 ORDER POWER SUPPLY	26
STEP 9 SELECT POWER CORD(s)	27
STEP 10 SELECT ACCESSORIES	30
STEP 11 ORDER SECURITY DEVICES (OPTIONAL)	31
STEP 12 ORDER TOOL-LESS RAIL KIT AND OPTIONAL REVERSIBLE CABLE MANAGEMENT ARM	32
STEP 13 SELECT HYPERVISOR / HOST OPERATING SYSTEM	33
STEP 14 SELECT HX DATA PLATFORM SOFTWARE	34
STEP 15 SELECT INSTALLATION SERVICE	35
STEP 16 SELECT SERVICE and SUPPORT LEVEL	36
SUPPLEMENTAL MATERIAL	41
Hyperconverged Systems	41
CHASSIS	43
Block Diagram	44
Serial Port Details	45
Upgrade and Servicing-Related Parts	46
KVM CABLE	47
DISCONTINUED EOL PRODUCTS	48
TECHNICAL SPECIFICATIONS	53
Dimensions and Weight	53
Power Specifications	54
Environmental Specifications	57
Extended Operating Temperature Hardware Configuration Limits	58
Compliance Requirements	59

OVERVIEW

Cisco HyperFlex™ Systems unlock the full potential of hyperconvergence. The systems are based on an end-to-end software-defined infrastructure, combining software-defined computing in the form of Cisco Unified Computing System (Cisco UCS) servers; software-defined storage with the powerful Cisco HX Data Platform and software-defined networking with the Cisco UCS fabric that will integrate smoothly with Cisco Application Centric Infrastructure (Cisco ACI™). Together with a single point of connectivity and hardware management, these technologies deliver a preintegrated and adaptable cluster that is ready to provide a unified pool of resources to power applications as your business needs dictate.

The Cisco HyperFlex HXAF220c M5 All NVMe Node is shown in [Figure 1](#).

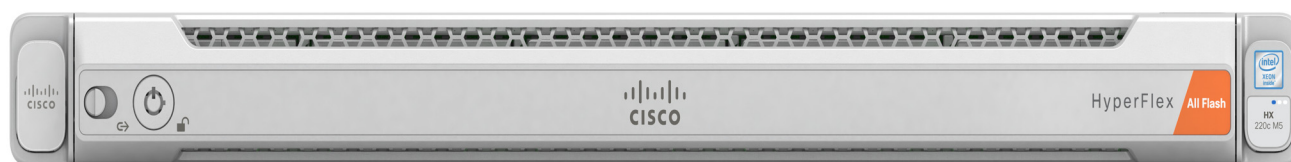
The HXAF220c M5 All NVMe servers extend the capabilities of Cisco's HyperFlex portfolio in a 1RU form factor with the addition of the 2nd generation Intel® Xeon® Processor Scalable Family, 2933-MHz DDR4 memory and an all flash footprint of cache and capacity drives for highly available, high performance storage.

Deployment Options

Starting with HyperFlex 4.5(2a) the following 2 deployment options are supported:

- **HX Data Center with Fabric Interconnect** - This deployment option connects the server to Cisco Fabric Interconnect. The installation for this type of deployment can be done using the standalone installer or from the Intersight.
- **HX Data Center without Fabric Interconnect** - This deployment option allows server nodes to be directly connected to existing switches. The installation for this type of deployment can be done from the Intersight only.

Figure 1 Cisco HyperFlex HXAF220c M5 All NVMe Node



Front View Front View with Bezel Removed



Rear View

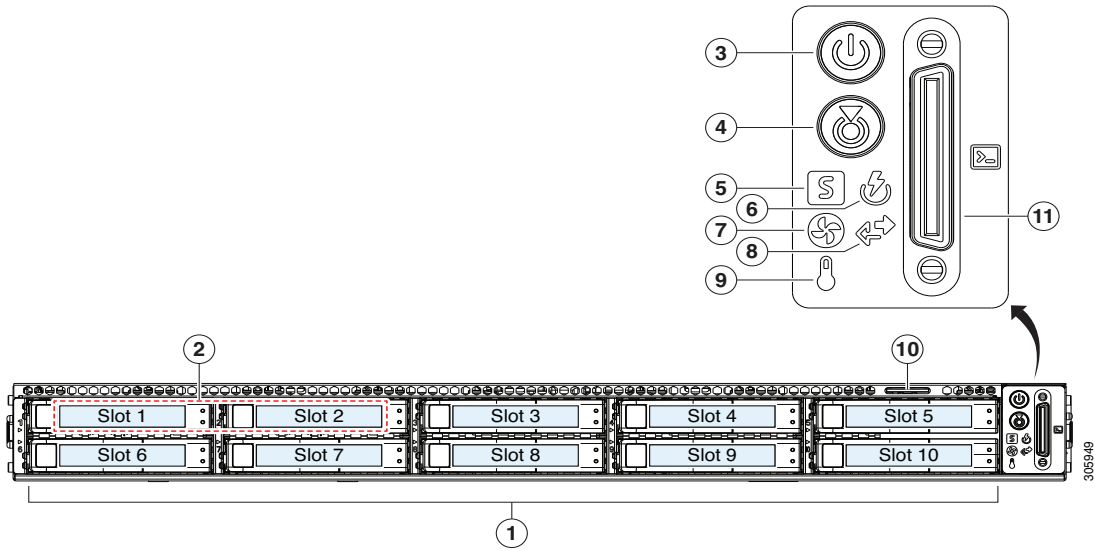


DETAILED VIEWS

Chassis Front View

Figure 2 shows the front view of the Cisco HyperFlex HXAF220c M5 All NVMe Node.

Figure 2 Chassis Front View

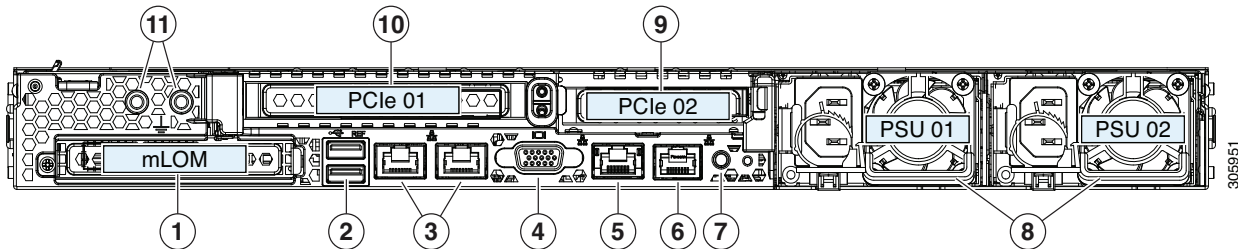


1-2	Drive bays 1 - 10 support NVMe solid state drives (SSDs)	8	Network link activity LED
3	Power button/Power status LED	9	Temperature status LED
4	Unit identification button/LED	10	Pull-out asset tag
5	System status LED	11	KVM connector (used with KVM cable that provides two USB 2.0, one VGA, and one serial connector)
6	Power supply status LED	—	—
7	Fan status LED	—	—

Chassis Rear View

Figure 3 shows the external features of the rear panel.

Figure 3 Chassis Rear View



1	Modular LAN-on-motherboard (mLOM) card bay (x16)	7	Rear unit identification button/LED
2	USB 3.0 ports (two)	8	Power supplies (two, redundant as 1+1)
3	Dual 1/10 GE ports (LAN1 and LAN2). LAN1 is left connector and LAN2 is right connector	9	PCIe riser 2 (slot 2) (half-height, x16); NOTE: Use of PCIe riser 2 requires a dual CPU configuration.
4	VGA video port (DB-15)	10	PCIe riser 1 (slot 1) (full-height, x16)
5	1GE dedicated management port	11	Threaded holes for dual-hole grounding lug
6	Serial port (RJ-45 connector)	—	—

BASE NODE STANDARD CAPABILITIES and FEATURES

Table 1 lists the capabilities and features of the base HXAF220c M5 All NVMe Node. Details about how to configure the system for a particular feature or capability (for example, number of processors, disk drives, or amount of memory) are provided in [CONFIGURING the HyperFlex HXAF220c M5 All NVMe Node, page 9](#).


Table 1 Capabilities and Features

Capability/Feature	Description
Chassis	One rack unit (1RU) chassis
CPU	One or two 2 nd Generation Intel® Xeon® scalable family CPUs
Chipset	Intel® C621 series chipset
Memory	24 slots for Registered ECC DDR4 DIMMs (RDIMMs), Load-Reduced DIMMS (LRDIMMs) and Intel® Optane™ Persistent Memory Modules (PMem)
Multi-bit Error Protection	This server supports multi-bit error protection.
Video	<p>The Cisco Integrated Management Controller (CIMC) provides video using the Matrox G200e video/graphics controller:</p> <ul style="list-style-type: none"> ■ Integrated 2D graphics core with hardware acceleration ■ 512MB total DDR4 memory, with 16MB dedicated to Matrox video memory ■ Supports all display resolutions up to 1920 x 1200 x 32bpp resolution at 60Hz ■ High-speed integrated 24-bit RAMDAC ■ Single lane PCI-Express host interface ■ eSPI processor to BMC support
Power subsystem	<p>One or two of the following hot-swappable power supplies:</p> <ul style="list-style-type: none"> ■ 1050 W (AC) ■ 1050 W (DC) ■ 1600 W ■ 1050 W (AC) ELV <p>One power supply is mandatory; one more can be added for 1 + 1 redundancy.</p>
Front Panel	A front panel controller provides status indications and control buttons
ACPI	This server supports the advanced configuration and power interface (ACPI) 6.2 standard.
Fans	<ul style="list-style-type: none"> ■ Seven hot-swappable fans for front-to-rear cooling

Table 1 Capabilities and Features (continued)

Capability/Feature	Description
Expansion slots	<ul style="list-style-type: none"> ■ Riser 1 (controlled by CPU 1): <ul style="list-style-type: none"> • One full-height profile, 3/4-length slot with x24 connector and x16 lane. ■ Riser 2 (controlled by CPU 2): <ul style="list-style-type: none"> • One half-height profile, half-length slot with x24 connector and x16 lane <p>NOTE: Use of PCIe riser 2 requires a dual CPU configuration.</p>
Interfaces	<ul style="list-style-type: none"> ■ Rear panel <ul style="list-style-type: none"> • One 1Gbase RJ-45 management port (Marvell 88E6176) • Two 10Gbase-T LOM ports (Intel X550 controller embedded on the motherboard) • One RS-232 serial port (RJ45 connector) • One DB15 VGA connector • Two USB 3.0 port connectors • One flexible modular LAN on motherboard (mLOM) slot that can accommodate various interface cards ■ Front panel <ul style="list-style-type: none"> • One KVM console connector (supplies two USB 2.0 connectors, one VGA DB15 video connector, and one serial port (RS232) RJ45 connector)
Internal storage devices	<ul style="list-style-type: none"> ■ Up to 10 NVMe Drives are installed into front-panel drive bays as below <ul style="list-style-type: none"> • Up to Eight NVMe SSD (for capacity) • One NVMe SSD (for caching) • One NVMe SSD (System drive for HXDP Operations) <p>The drives in slots 1 and 2 are connected from Riser 2 and the drives in slots 3 through 10 are connected from the PCIe switch card plugged into the internal HBA slot.</p> <ul style="list-style-type: none"> ■ A mini-storage module connector on the motherboard for M.2 module for one M.2 SATA SSDs for following usage: <ul style="list-style-type: none"> • ESXi hypervisor boot and HyperFlex storage controller VM ■ One socket for one micro-SD card on PCIe Riser 1 for following usage: <ul style="list-style-type: none"> • The micro-SD card serves as a dedicated local resource for utilities such as host upgrade utility (HUU). Images can be pulled from a file share (NFS/CIFS) and uploaded to the cards for future use.
Integrated management processor	<p>Baseboard Management Controller (BMC) running Cisco Integrated Management Controller (CIMC) firmware.</p> <p>Depending on your CIMC settings, the CIMC can be accessed through the 1GE dedicated management port, the 1GE/10GE LOM ports, or a Cisco virtual interface card (VIC).</p>

Table 1 Capabilities and Features (continued)

Capability/Feature	Description
mLOM Slot	<p>The mLOM slot on the motherboard can flexibly accommodate the follow card:</p> <ul style="list-style-type: none"> ■ Cisco VIC 1387 Dual Port 40Gb QSFP CNA MLOM ■ Cisco UCS VIC 1457 Quad Port 10/25G SFP28 CNA MLOM  <p>Note:</p> <ul style="list-style-type: none"> ■ 1387 VIC natively supports 6300 series FIs. ■ To support 6200 series FIs with 1387, 10G QSAs compatible with 1387 are available for purchase. ■ Breakout cables are not supported with 1387 ■ Use of 10GbE is not allowed when used with 6300 series FI.
PCIe options	<p>PCIe slots on the Riser 1 and 2 can flexibly accommodate the following cards:</p> <p>Network Interface Card (NICs):</p> <ul style="list-style-type: none"> ■ Intel X550-T2 dual port 10Gbase-T ■ Intel XXV710-DA2 dual port 25GE NIC ■ Intel i350 quad port 1Gbase-T ■ Intel X710-DA2 dual port 10GE NIC <p>Virtual Interface Card (VICs):</p> <ul style="list-style-type: none"> ■ Cisco VIC 1385 Dual Port 40Gb QSFP+ CNA w/RDMA ■ Cisco UCS VIC 1455 Quad Port 10/25G SFP28 CNA PCIE
UCSM	<p>Unified Computing System Manager (UCSM) runs in the Fabric Interconnect and automatically discovers and provisions some of the server components.</p>

CONFIGURING the HyperFlex HXAF220c M5 All NVMe Node

For the most part, this system comes with a fixed configuration. Use these steps to see or change the configuration of the Cisco HXAF220c M5 All NVMe Node:

- *STEP 1 VERIFY SERVER SKU, page 10*
- *STEP 2 SELECT DEPLOYMENT MODE (OPTIONAL), page 11*
- *STEP 3 SELECT CPU(s), page 12*
- *STEP 4 SELECT MEMORY, page 16*
- *STEP 5 SELECT DRIVES, page 21*
- *STEP 6 SELECT PCIe OPTION CARD(s), page 23*
- *STEP 7 ORDER GPU CARDS (OPTIONAL), page 25*
- *STEP 8 ORDER POWER SUPPLY, page 26*
- *STEP 9 SELECT POWER CORD(s), page 27*
- *STEP 10 SELECT ACCESSORIES, page 30*
- *STEP 11 ORDER SECURITY DEVICES (OPTIONAL), page 31*
- *STEP 12 ORDER TOOL-LESS RAIL KIT AND OPTIONAL REVERSIBLE CABLE MANAGEMENT ARM, page 32*
- *STEP 13 SELECT HYPERVISOR / HOST OPERATING SYSTEM, page 33*
- *STEP 14 SELECT HX DATA PLATFORM SOFTWARE, page 34*
- *STEP 15 SELECT INSTALLATION SERVICE, page 35*
- *STEP 16 SELECT SERVICE and SUPPORT LEVEL, page 36*

STEP 1 VERIFY SERVER SKU

Verify the product ID (PID) of the server as shown in [Table 2](#).

Table 2 PID of the HXAF220c M5 All NVMe Node

Product ID (PID)	Description
HXAF-M5S-HXDP	This major line bundle (MLB) consists of the Server Nodes (HXAF220c-M5SX, HXAF220c-M5SN and HXAF240C-M5SX) with HXDP software spare PIDs. NOTE: For the HyperFlex data center no fabric interconnect deployment mode, this PID must be used
HXAF220C-M5SN	HXAF220c M5 All NVMe Node, with one or two CPUs, recommended memory sizes, 1 NVMe SSD for Caching, 1 NVMe SSD for system logs, up to 8 NVMe SSDs data, 1 VIC mLOM card, 1 M.2 SATA SSD and 1 micro-SD card.

The HXAF220c M5 All NVMe Node:

- Requires configuration of one or two power supplies, one or two CPUs, recommended memory sizes, 1 NVMe SSD for Caching, 1 NVMe SSD for system logs, up to 8 data NVMe SSDs, 1 VIC mLOM card, 1 M.2 SATA SSD and 1 micro-SD card.
- Provides option to choose 10G QSAs to connect with HX-FI-6248UP and HX-FI-6296UP
- Provides option to choose rail kits.



NOTE: Use the steps on the following pages to configure the node with the components that you want to include.

STEP 2 SELECT DEPLOYMENT MODE (OPTIONAL)

Starting with HyperFlex 4.5(2a), the following 2 deployment options are supported

Select deployment mode

The available deployment modes are listed in [Table 3](#)

Table 3 Deployment Modes

Product ID (PID)	Description
HX-DC-FI	Deployment mode Selection PID to use Hyperflex with FI
HX-DC-NO-FI	Deployment mode Selection PID to use Hyperflex without FI

- **HX Data Center with Fabric Interconnect** - This deployment option connects the server to Cisco Fabric Interconnect. The installation for this type of deployment can be done using the standalone installer or from the Intersight. This deployment mode has been supported since launch of HyperFlex.
- **HX Data Center without Fabric Interconnect** - This deployment option allows server nodes to be directly connected to existing switches. The installation for this type of deployment can be done from the Intersight only.

Note the following apply:

- No support for SED drives
- No hyper-V support
- No support for PMem
- No support for Additional PCIE Cisco VIC
- No support for stretch cluster
- No support for Compute only nodes
- No support for Application acceleration engine

Selecting this option will hence grey out the unsupported options during ordering



NOTE: If no selection is done, the deployment mode is assumed to be DC with FI

STEP 3 SELECT CPU(s)

The standard CPU features are:

- 2nd Generation Intel® Xeon® scalable family CPUs
- From 8 cores up to 28 cores per CPU
- Intel C621 series chipset
- Cache size of up to 38.5 MB

Select CPUs

The available CPUs are listed in [Table 4](#).

Table 4 Available CPUs

Product ID (PID)	Clock Freq (GHz)	Power (W)	Cache Size (MB)	Cores	UPI ¹ Links (GT/s)	Highest DDR4 DIMM Clock Support (MHz)	Workload/Processor type ²
Cisco Recommended CPUs (2nd Generation Intel® Xeon® Processors)							
HX-CPU-I8276	2.2	165	38.50	28	3 x 10.4	2933	Oracle, SAP
HX-CPU-I8260	2.4	165	35.75	24	3 x 10.4	2933	Microsoft Azure Stack
HX-CPU-I6262V	1.9	135	33.00	24	3 x 10.4	2400	Virtual Server infrastructure or VSI
HX-CPU-I6248R	3.0	205	35.75	24	2 x 10.4	2933	
HX-CPU-I6248	2.5	150	27.50	20	3 x 10.4	2933	VDI, Oracle, SQL, Microsoft Azure Stack
HX-CPU-I6238R	2.2	165	38.50	28	2 x 10.4	2933	Oracle, SAP (2-Socket TDI only), Microsoft AzureStack
HX-CPU-I6238	2.1	140	30.25	22	3 x 10.4	2933	SAP
HX-CPU-I6230R	2.1	150	35.75	26	2 x 10.4	2933	Virtual Server Infrastructure, Data Protection, Big Data, Splunk, Microsoft AzureStack
HX-CPU-I6230	2.1	125	27.50	20	3 x 10.4	2933	Big Data, Virtualization
HX-CPU-I5220R	2.2	125	35.75	24	2 x 10.4	2666	Virtual Server Infrastructure, Splunk, Microsoft Azure Stack
HX-CPU-I5220	2.2	125	24.75	18	2 x 10.4	2666	HCI
HX-CPU-I5218R	2.1	125	27.50	20	2 x 10.4	2666	Virtual Server Infrastructure, Data Protection, Big Data, Splunk, Scale-out Object Storage, Microsoft AzureStack

Table 4 Available CPUs

Product ID (PID)	Clock Freq (GHz)	Power (W)	Cache Size (MB)	Cores	UPI ¹ Links (GT/s)	Highest DDR4 DIMM Clock Support (MHz)	Workload/Processor type ²
HX-CPU-I5218	2.3	125	22.00	16	2 x 10.4	2666	Virtualization, Microsoft Azure Stack, Splunk, Data Protection
HX-CPU-I4216	2.1	100	22.00	16	2 x 9.6	2400	Data Protection, Scale Out Storage
HX-CPU-I4214R	2.4	100	16.50	12	2 x 9.6	2400	Data Protection, Splunk, Scale-out Object Storage, Microsoft AzureStack
HX-CPU-I4214	2.2	85	16.50	12	2 x 9.6	2400	Data Protection, Scale Out Storage
8000 Series Processor							
HX-CPU-I8280L	2.7	205	38.50	28	3 x 10.4	2933	2 nd Gen Intel® Xeon®
HX-CPU-I8280	2.7	205	38.50	28	3 x 10.4	2933	2 nd Gen Intel® Xeon®
HX-CPU-I8276L	2.2	165	38.50	28	3 x 10.4	2933	2 nd Gen Intel® Xeon®
HX-CPU-I8276	2.2	165	38.50	28	3 x 10.4	2933	2 nd Gen Intel® Xeon®
HX-CPU-I8270	2.7	205	35.75	26	3 x 10.4	2933	2 nd Gen Intel® Xeon®
HX-CPU-I8268	2.9	205	35.75	24	3 x 10.4	2933	2 nd Gen Intel® Xeon®
HX-CPU-I8260Y	2.4	165	35.75	24/20/ 16	3 x 10.4	2933	2 nd Gen Intel® Xeon®
HX-CPU-I8260L	2.4	165	35.75	24	3 x 10.4	2933	2 nd Gen Intel® Xeon®
HX-CPU-I8260	2.4	165	35.75	24	3 x 10.4	2933	2 nd Gen Intel® Xeon®
6000 Series Processor							
HX-CPU-I6262V	1.9	135	33.00	24	3 x 10.4	2400	2 nd Gen Intel® Xeon®
HX-CPU-I6258R	2.7	205	35.75	28	2 x 10.4	2933	2 nd Gen Intel® Xeon®
HX-CPU-I6254	3.1	200	24.75	18	3 x 10.4	2933	2 nd Gen Intel® Xeon®
HX-CPU-I6252N	2.3	150	35.75	24	3 x 10.4	2933	2 nd Gen Intel® Xeon®
HX-CPU-I6252	2.1	150	35.75	24	3 x 10.4	2933	2 nd Gen Intel® Xeon®
HX-CPU-I6248R	3.0	205	35.75	24	2 x 10.4	2933	2 nd Gen Intel® Xeon®
HX-CPU-I6248	2.5	150	27.50	20	3 x 10.4	2933	2 nd Gen Intel® Xeon®
HX-CPU-I6246R	3.4	205	35.75	16	2 x 10.4	2933	2 nd Gen Intel® Xeon®
HX-CPU-I6246	3.3	165	24.75	12	3 x 10.4	2933	2 nd Gen Intel® Xeon®
HX-CPU-I6242R	3.1	205	35.75	20	2 x 10.4	2933	2 nd Gen Intel® Xeon®
HX-CPU-I6242	2.8	150	22.00	16	3 x 10.4	2933	2 nd Gen Intel® Xeon®
HX-CPU-I6240R	2.4	165	35.75	24	2 x 10.4	2933	2 nd Gen Intel® Xeon®
HX-CPU-I6240L	2.6	150	24.75	18	3 x 10.4	2933	2 nd Gen Intel® Xeon®
HX-CPU-I6240	2.6	150	24.75	18	3 x 10.4	2933	2 nd Gen Intel® Xeon®

Table 4 Available CPUs

Product ID (PID)	Clock Freq (GHz)	Power (W)	Cache Size (MB)	Cores	UPI ¹ Links (GT/s)	Highest DDR4 DIMM Clock Support (MHz)	Workload/Processor type ²
HX-CPU-I6238R	2.2	165	38.50	28	2 x 10.4	2933	2 nd Gen Intel® Xeon®
HX-CPU-I6238L	2.1	140	30.25	22	3 x 10.4	2933	2 nd Gen Intel® Xeon®
HX-CPU-I6238	2.1	140	30.25	22	3 x 10.4	2933	2 nd Gen Intel® Xeon®
HX-CPU-I6230R	2.1	150	35.75	26	2 x 10.4	2933	2 nd Gen Intel® Xeon®
HX-CPU-I6230N	2.3	125	27.50	20	3 x 10.4	2933	2 nd Gen Intel® Xeon®
HX-CPU-I6230	2.1	125	27.50	20	3 x 10.4	2933	2 nd Gen Intel® Xeon®
HX-CPU-I6226R	2.9	150	22.00	16	2 x 10.4	2933	2 nd Gen Intel® Xeon®
HX-CPU-I6226	2.7	125	19.25	12	3 x 10.4	2933	2 nd Gen Intel® Xeon®
HX-CPU-I6222V	1.8	115	27.50	20	3 x 10.4	2400	2 nd Gen Intel® Xeon®
5000 Series Processor							
HX-CPU-I5220S	2.6	125	19.25	18	2 x 10.4	2666	2 nd Gen Intel® Xeon®
HX-CPU-I5220R	2.2	150	35.75	24	2 x 10.4	2666	2 nd Gen Intel® Xeon®
HX-CPU-I5220	2.2	125	24.75	18	2 x 10.4	2666	2 nd Gen Intel® Xeon®
HX-CPU-I5218R	2.1	125	27.50	20	2 x 10.4	2666	2 nd Gen Intel® Xeon®
HX-CPU-I5218B	2.3	125	22.00	16	2 x 10.4	2933	2 nd Gen Intel® Xeon®
HX-CPU-I5218N	2.3	105	22.00	16	2 x 10.4	2666	2 nd Gen Intel® Xeon®
HX-CPU-I5218	2.3	125	22.00	16	2 x 10.4	2666	2 nd Gen Intel® Xeon®
4000 Series Processor							
HX-CPU-I4216	2.1	100	22.00	16	2 x 9.6	2400	2 nd Gen Intel® Xeon®
HX-CPU-I4214R	2.4	100	16.50	12	2 x 9.6	2400	2 nd Gen Intel® Xeon®
HX-CPU-I4214	2.2	85	16.50	12	2 x 9.6	2400	2 nd Gen Intel® Xeon®

Notes:

1. UPI = Ultra Path Interconnect. 2-socket servers support only 2 UPI performance, even if the CPU supports 3 UPI.
2. HyperFlex Data Platform reserves CPU cycle for each controller VM. Refer to the <[Install Guide](#)> for reservation details.



CAUTION: For systems configured with 2nd Gen Intel® Xeon® 205W R-series processors, operating above 30° C [86° F], a fan fault or executing workloads with extensive use of heavy instructions sets like Intel® Advanced Vector Extensions 512 (Intel® AVX-512), may assert thermal and/or performance faults with an associated event recorded in the System Event Log (SEL).

- **HX-CPU-I6258R** - Intel 6258R 2.7GHz/205W 28C/35.75MB DDR4 2933MHz
- **HX-CPU-I6248R** - Intel 6248R 3.0GHz/205W 24C/35.75MB DDR4 2933MHz
- **HX-CPU-I6246R** - Intel 6246R 3.4GHz/205W 16C/35.75MB DDR4 2933MHz
- **HX-CPU-I6242R** - Intel 6242R 3.1GHz/205W 20C/35.75MB DDR4 2933MHz

Approved Configurations

(1) 1-CPU Configuration:

- Select any one CPU listed in [Table 4 on page 12](#).
- Requires 12 Core and above CPUs.

(2) 2-CPU Configuration:

- Select two identical CPUs from any one of the rows of [Table 4 on page 12](#).

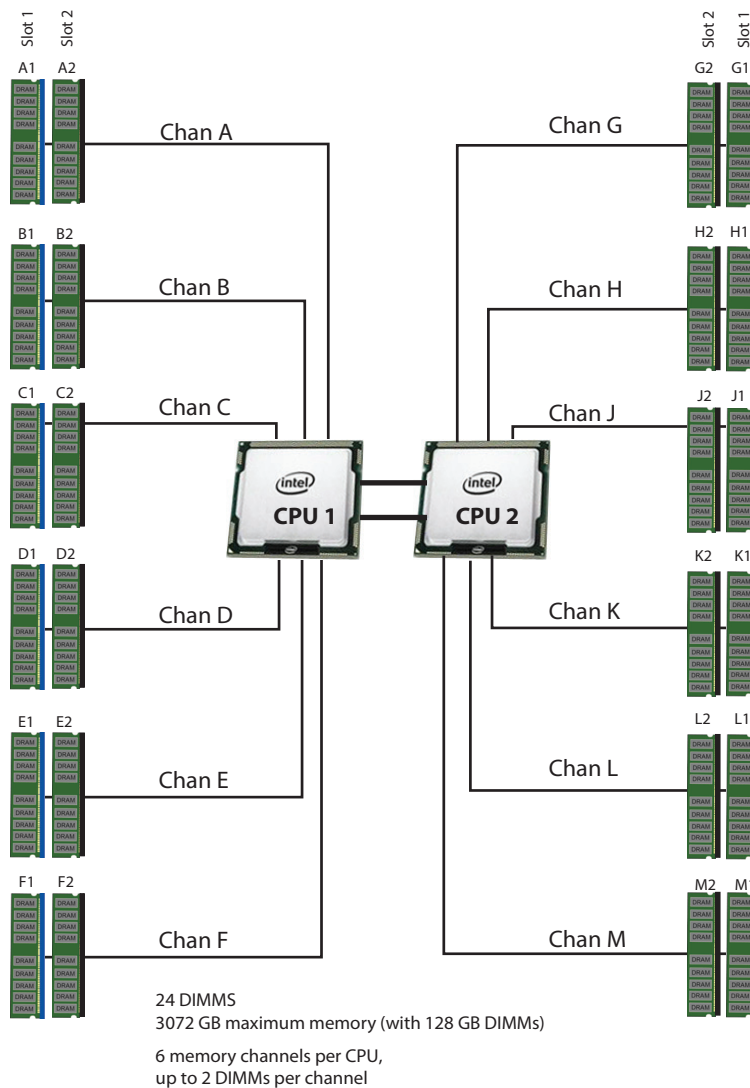
STEP 4 SELECT MEMORY

The standard memory features are:

- Clock speed: Up to 2933 MHz; See available CPUs and their associated DDR4 DIMM maximum clock support in [Table 4](#).
- Rank per DIMM: 1, 2, 4, or 8
- Operational voltage: 1.2 V
- Registered ECC DDR4 DIMMs (RDIMMs), Load-reduced DIMMs (LRDIMMs), or Intel® Optane™ Persistent Memory Modules (PMem)

Memory is organized with six memory channels per CPU, with up to two DIMMs per channel, as shown in [Figure 4](#).

Figure 4 HXAF220c M5 All NVMe Node Memory Organization



Select DIMMs and PMem



NOTE: The memory mirroring feature is not supported with HyperFlex nodes.

Table 5 Available DDR4 DIMMs

Product ID (PID)	PID Description	Voltage	Ranks/ DIMM
HX-ML-128G4RT-H ¹	128 GB DDR4-2933MHz LRDIMM/4Rx4 (16Gb)	1.2 V	4
HX-ML-X64G4RT-H ¹	64 GB DDR4-2933MHz LRDIMM/4Rx4 (8Gb)	1.2 V	4
HX-MR-X64G2RT-H ¹	64 GB DDR4-2933MHz RDIMM/2Rx4 (16Gb)	1.2 V	2
HX-MR-X32G2RT-H ¹	32GB DDR4-2933MHz RDIMM/2Rx4 (8Gb)	1.2 V	2
HX-MR-X16G1RT-H ¹	16 GB DDR4-2933MHz RDIMM/1Rx4 (8Gb)	1.2 V	1
HX-ML-128G4RW ²	128GB DDR4-3200MHz LRDIMM 4Rx4 (16Gb)	1.2 V	1
HX-MR-X64G2RW ²	64GB DDR4-3200MHz RDIMM 2Rx4 (16Gb)	1.2 V	1
HX-MR-X32G2RW ²	32GB DDR4-3200MHz RDIMM 2Rx4 (8Gb)	1.2 V	1
HX-MR-X16G1RW ²	16GB DDR4-3200MHz RDIMM 1Rx4 (8Gb)	1.2 V	1

Intel® Optane™ Persistent Memory Module (PMem)

HX-MP-512GS-A0 Intel Optane Persistent Memory, 512GB, 2666MHz

HX-MP-256GS-A0 Intel Optane Persistent Memory, 256GB, 2666MHz

HX-MP-128GS-A0 Intel Optane Persistent Memory, 128GB, 2666MHz

Intel® Optane™ Persistent Memory Product Operational Modes

UCS-DCPMM-AD Intel Optane Persistent Memory Operational Mode - App Di

Notes:

1. Cisco announced the End-of-sale of the DDR4-2933MHz Memory DIMM products: [EOL14611](#) lists the product part numbers affected by this announcement. [Table 6](#) describes the replacement Memory DIMM product Part Numbers.
2. DDR4-3200MHz replacement part numbers will operate at the maximum speed of the Intel 2nd generation Xeon Scalable processor memory interface, ranging from 2133 MHz to 2933 MHz.

**Data Center Deployment Mode**

NOTE: Data center deployment mode without fabric interconnect (HX-DC-no-FI) does not support HX-MP-512GS-A0, HX-MP-256GS-A0, HX-MP-128GS-A0, and UCS-DCPMM-AD. Refer to [STEP 2](#) for the details

Table 6 lists the EOL Memory DIMM product part numbers and their replacement PIDs.

Table 6 EOL14611 Memory DIMM Product Part Numbers and their replacement PIDs

EOS Product Part Number (PID)	PID Description	Replacement Product PID	Replacement Product Description
HX-MR-X16G1RT-H	16GB DDR4-2933MHz RDIMM 1Rx4 (8Gb)/1.2v	HX-MR-X16G1RW	16GB DDR4-3200MHz RDIMM 1Rx4 (8Gb)/1.2v
HX-MR-X32G2RT-H	32GB DDR4-2933MHz RDIMM 2Rx4 (8Gb)/1.2v	HX-MR-X32G2RW	32GB DDR4-3200MHz RDIMM 2Rx4 (8Gb)/1.2v
HX-MR-X64G2RT-H	64GB DDR4-2933MHz RDIMM 2Rx4 (16Gb)/1.2v	HX-MR-X64G2RW	64GB DDR4-3200MHz RDIMM 2Rx4 (16Gb)/1.2v
HX-ML-X64G4RT-H	64GB DDR4-2933MHz LRDIMM 4Rx4 (8Gb)/1.2v	HX-MR-X64G2RW ¹	64GB DDR4-3200MHz RDIMM 2Rx4 (16Gb)/1.2v
HX-ML-128G4RT-H	128GB DDR4-2933MHz LRDIMM 4Rx4 (16Gb)/1.2v	HX-ML-128G4RW	128GB DDR4-3200MHz LRDIMM 4Rx4 (16Gb)/1.2v



NOTE: (1) Cisco doesn't support a Load Reduce DIMM (LRDIMM) 64GB Memory PID as a replacement PID of existing UCS-ML-x64G4RT-H and recommends migrating to the Registered DIMM (RDIMM) instead, delivering the best balance in performance and price.

CPU DIMM Configuration Table

Approved Configurations

(1) 1-CPU configuration

- Select from 1 to 12 DIMMs.

CPU 1 DIMM Placement in Channels (for identically ranked DIMMs)	
1	(A1)
2	(A1, B1)
3	(A1, B1, C1)
4	(A1, B1); (D1, E1)
6	(A1, B1); (C1, D1); (E1, F1)
8	(A1, B1); (D1, E1); (A2, B2); (D2, E2)
12	(A1, B1); (C1, D1); (E1, F1); (A2, B2); (C2, D2); (E2, F2)

(2) 2-CPU configuration

- Select from 1 to 12 DIMMs per CPU.

CPU 1 DIMM Placement in Channels (for identical ranked DIMMs)		CPU 2 DIMM Placement in Channels (for identical ranked DIMMs)
CPU 1		CPU 2
1	(A1)	(G1)
2	(A1, B1)	(G1, H1)
3	(A1, B1, C1)	(G1, H1, J1)
4	(A1, B1); (D1, E1)	(G1, H1); (K1, L1)
6	(A1, B1); (C1, D1); (E1, F1)	(G1, H1); (J1, K1); (L1, M1)
8	(A1, B1); (D1, E1); (A2, B2); (D2, E2)	(G1, H1); (K1, L1); (G2, H2); (K2, L2)
12	(A1, B1); (C1, D1); (E1, F1); (A2, B2); (C2, D2); (E2, F2)	(G1, H1); (J1, K1); (L1, M1); (G2, H2); (J2, K2); (L2, M2)



NOTE:

- The selected DIMMs must be all of same type and number of DIMMs must be equal for both CPUs
 - Even though 128GB of DRAM is supported, It is recommended to have a minimum of 192GB of DRAM configured for maximum performance
 - HyperFlex Data Platform reserves memory for each controller VM. Refer to the <[Install Guide](#)> for reservation details.
 - Recommended 6 or 12 DIMMs per CPU.
 - Refer to the “[CPU DIMM Configuration Table](#)” for the configuration details
-

System Speed

Memory will operate at the maximum speed of the Intel Xeon Scalable processor memory controller, ranging from 2133 MHz to 2933 MHz for M5 servers. Check CPU specifications for supported speeds



NOTE: Detailed mixing DIMM configurations are described in Cisco UCS [M5 Memory Guide](#)

STEP 5 SELECT DRIVES

The standard disk drive features are:

- 2.5-inch small form factor
- Hot-pluggable
- Drives come mounted in sleds

Select Drives

The available drives are listed in [Table 7](#).



Data Center Deployment Mode

NOTE: Data center deployment mode without fabric interconnect (HX-DC-no-FI) does not support HX-NVMEXPB-I375 requires HXDP 4.5(2c) or higher Refer to [STEP 2](#) for the details.

Table 7 Available Sled-Mounted SSDs

Product ID (PID)	PID Description	Drive Type	Capacity
Front Capacity Drive			
HX-NVME2H-I1000	Cisco 2.5" U.2 1,0 TB Intel P4510 NVMe High Perf. Value endurance (HyperFlex Release 4.0 (2a) or later)	NVMe	1 TB
HX-NVME4-3840	3.8TB 2.5in U.2 15mm P5520 Hg Perf Med End NVMe (HyperFlex Release 5.0(2b) and later)	NVMe	3.8 TB
HX-NVME2H-I4000	Cisco 2.5" U.2 4.0TB Intel P4510 NVMe High Perf. Value endurance (HyperFlex Release 4.0 (2a) or later)	NVMe	4 TB
HX-NVME4-7680	7.6TB 2.5in U.2 15mm P5520 Hg Perf Med End NVMe (HyperFlex Release 5.0(2b) and later)	NVMe	7.6 TB
HX-NVMEHW-I8000	8TB 2.5in U.2 Intel P4510 NVMe High Perf Value endurance (HyperFlex Release 4.0 (2a) or later)	NVMe	8 TB
Front Cache Drive			
HX-NVMEXPB-I375*	375GB 2.5in Intel Optane NVMe Extreme Performance SSD (HyperFlex Release 3.5 (2h) or later) (Mixed drive support with HyperFlex Release 5.0(2b))*	NVMe	375 GB
HX-NVMEM6-W1600*	1.6TB 2.5in U.2 WD SN840 NVMe Extreme Perf. High Endurance (HyperFlex Release 5.0(2b) or later)* (Mixed drive support available*)	NVMe	1.6 TB
Front System / Log Drives			
HX-NVME2H-I1000	Cisco 2.5" U.2 1,0 TB Intel P4510 NVMe High Perf. Value Endu	NVMe	1 TB
Boot Drives			
HX-M2-240GB	240GB SATA M.2 SSD	SATA	240 GB
HX-M2-960GB	960GB SATA M.2 (HyperFlex Release 4.0(2a) and later)	SATA	940 GB

Table 7 Available Sled-Mounted SSDs (continued)

Product ID (PID)	PID Description	Drive Type	Capacity
HX-M2-HWRAID ¹	Cisco Boot optimized M.2 Raid controller (HyperFlex Release 4.0(1a) and later)	-	-
<p>NOTE:</p> <ul style="list-style-type: none"> ■ Cisco uses solid state drives (SSDs) from a number of vendors. All solid state drives (SSDs) are subject to physical write limits and have varying maximum usage limitation specifications set by the manufacturer. Cisco will not replace any solid state drives (SSDs) that have exceeded any maximum usage specifications set by Cisco or the manufacturer, as determined solely by Cisco. ■ ** SED drive components are not supported with Microsoft Hyper-V ■ * HX 5.0(2b) supports the ability to handle inter-operability of mixed cache drives on HyperFlex All NVMe clusters with certain hardware configurations: <ul style="list-style-type: none"> • Existing cluster with 375G cache can be expanded with 1.6TB cache. • New cluster creation with heterogeneous cache drives needs two-step approach for a minimum of 4 node cluster; (Step 1) cluster creation with minimum three of lesser capacity 375GB cache, (Step 2) cluster expansion with 1.6TB cache. New heterogeneous cluster with less than three 375GB cache is not supported; Upgrade to homogenous cluster with 1.6TB cache is recommended in this scenario. ■ For expansion of existing clusters or general information about interoperability of different drives, see Cisco HyperFlex Drive Compatibility. 			

Notes:

1. You may select either a single boot SSD or dual boot SSDs with the Boot-Optimized RAID controller.

Approved Configurations

Select the following drives:

- 6 to 8 capacity drives
- One cache drive
- One system drive
- One boot drive



NOTE:

- **RAID Support for Boot Drives:** Support for Hardware RAID M.2 boot drives in HyperFlex converged and compute-only nodes. Requires optional HX-M2-HWRAID controller with two boot drives. Existing single boot drive option remains supported.
- This is supported starting from 4.5 (1a) version and later. please check the [release notes](#) for the further information

STEP 6 SELECT PCIe OPTION CARD(s)

The standard PCIe card offerings is:

- Modular LAN on Motherboard (mLOM)
- Virtual Interface Card (VICs)
- Network Interface Card (NICs)

Select PCIe Option Card

The available PCIe option card is listed in [Table 8](#).



Data Center Deployment Mode

- Data center deployment mode without fabric interconnect (HX-DC-no-FI) does not support HX-PCIE-C40Q-03 (40G VICs), HX-PCIE-C25Q-04 and HX-PCIE-OFFLOAD-1. Refer to [STEP 2](#) for the details.
- HX-MLOM-C40Q-03, HX-MLOM-C25Q-04 require HXDP 4.5(2c) or higher for data center deployment mode without fabric interconnect (DC-no-FI).

Table 8 Available PCIe Option Cards

Product ID (PID)	PID Description	Card Height
Modular LAN on Motherboard (mLOM)¹		
HX-MLOM-C40Q-03	Cisco VIC 1387 Dual Port 40Gb QSFP CNA MLOM	N/A
HX-MLOM-C25Q-04	Cisco UCS VIC 1457 Quad Port 10/25G SFP28 CNA MLOM (Requires HX 4.0(1a) or higher)	N/A
Virtual Interface Cards (VICs)		
HX-PCIE-C40Q-03	Cisco VIC 1385 Dual Port 40Gb QSFP+ CNA w/RDMA	HHHL*
HX-PCIE-C25Q-04	Cisco UCS VIC 1455 Quad Port 10/25G SFP28 CNA PCIe (Requires HX 4.0(1a) or higher)	HHHL*
Network Interface Cards (NICs)^{2,3}		
HX-PCIE-IRJ45	Intel i350 Quad Port 1Gb Adapter	HHHL*
HX-PCIE-ID10GF	Intel X710-DA2 Dual Port 10G SFP+ NIC	HHHL*
HX-PCIE-ID10GC	Intel X550-T2 Dual Port 10GBase-T NIC	HHHL*
HX-PCIE-ID25GF	Intel XXV710-DA2 10-Dual Port 25G NIC	HHHL*
HX PCIe Accel Engine^{4,5}		
HX-PCIE-OFFLOAD-1	Application Acceleration Engine	

Table 8 Available PCIe Option Cards (continued)

Product ID (PID)	PID Description	Card Height
* HHHL= Half Height Half length		

Notes:

1. The mLOM card does not plug into any of the riser 1 or riser 2 card slots; instead, it plugs into a connector inside the chassis.
2. The NIC is supported for HyperFlex Edge configurations.
3. The NIC is not supported with Microsoft Hyper-V.
4. • Optional card offloads the compression functionality to HW acceleration card.HX-PCIE-OFFLOAD-1 uses a more computationally intensive compression algorithm. This results in lower storage space and frees up CPU cycles
 - HXDP-P Enterprise licenses are required.
 - HX-PCIE-OFFLOAD-1 works with all HXDP features, including Stretched Cluster, SED drives, T4 GPUs and more.
 - Native Replication (NR) will be supported in a future release
5. Please note that, HX-PCIE-OFFLOAD-1 is on Compliance Hold Review, for details contact: hx-order-compliance-hold@cisco.com

Caveats

Other considerations for the Cisco VIC 1387 card:

- VIC 1387 natively supports 6300 series FI.
- VIC 1387 also supports Cisco QSA Modules when working with HX-FI-6248UP or HX-FI-6296UP is desired.
- Cisco QSA Module is available as an option under 'Accessories -> SFP'. PID for QSA is CVR-QSFP-SFP10G'
- Please order two of above QSA modules when connectivity with 6200 is desired
- Use of 10GbE is not permitted with 6300 series FI.

STEP 7 ORDER GPU CARDS (OPTIONAL)

Select GPU Options

The available GPU PCIe options are listed in [Table 9](#)

Table 9 Available PCIe Option Cards

Product ID (PID)	PID Description	Card Height	Maximum cards Per node
GPU PCIe Cards			
HX-GPU-T4-16	NVIDIA T4 PCIE 75W 16GB	Low Profile Single-Width	2



NOTE: All GPU cards must be procured from Cisco as there is a unique SBIOS ID required by CIMC and

Caveats

- GPU cannot be mixed.

STEP 8 ORDER POWER SUPPLY

Power supplies share a common electrical and physical design that allows for hot-plug and tool-less installation into HXAF220c M5 All NVMe Nodes. Each power supply is certified for high-efficiency operation and offers multiple power output options. This allows users to “right-size” based on server configuration, which improves power efficiency, lower overall energy costs and avoids stranded capacity in the data center. Use the power calculator at the following link to determine the needed power based on the options chosen (CPUs, drives, memory, and so on):

<http://ucspowercalc.cisco.com>

Select one or two power supplies from the list in *Table 10*

Table 10 Power Supply

Product ID (PID)	PID Description
HX-PSU1-1050W	1050W AC power supply for C-Series servers Platinum
HX-PSUV2-1050DC	1050W DC power supply for C-Series servers Platinum
HX-PSU1-1600W	1600W power supply for C-Series servers Platinum
HX-PSU1-1050ELV	Cisco UCS 1050W AC Power Supply for Rack Server Low Line Platinum



NOTE: In a server with two power supplies, both power supplies must be identical.

STEP 9 SELECT POWER CORD(s)

Using [Table 11](#), select the appropriate AC power cords. You can select zero to two power cords. If you select the option R2XX-DMYMPWRCORD, no power cord is shipped with the server.

Table 11 Available Power Cords

Product ID (PID)	PID Description	Images
R2XX-DMYMPWRCORD	No power cord (dummy PID to allow for a no power cord option)	Not applicable
CAB-48DC-40A-8AWG	C-Series -48VDC PSU Power Cord, 3.5M, 3 Wire, 8AWG, 40A	<p>Figure 1-3 CAB-48DC-40A-8AWG, DC Power Cord (3.5 m)</p> <p>Plug: R2XX-DMYMPWRCORD Conductors: -48VDC, 40A Green Braid Black Braid (3.5 m)</p>
CAB-N5K6A-NA	Power Cord, 200/240V 6A, North America	<p>Plug: NEMA 6-15P Cordset rating: 10 A, 250 V Length: 8.2 ft Connector: IEC60320/C13</p>
CAB-AC-L620-C13	AC Power Cord, NEMA L6-20 - C13, 2M/6.5ft	<p>3" From Plug End 79±2</p>
CAB-C13-CBN	CABASY,WIRE,JUMPER CORD, 27" L, C13/C14, 10A/250V	<p>685 MM ± 25 MM 75MM ± 10MM PLUG TYPE: S138A PWR DETAILS: 10A/250V (EC 332-2-2) CONNECTOR TYPE: H252 IEC 320 B14H1</p>
CAB-C13-C14-2M	CABASY,WIRE,JUMPER CORD, PWR, 2 Meter, C13/C14,10A/250V	<p>PLUG: IEC 320 C13 CONNECTOR: IEC 320 C14 2.000 3" From Plug End</p>
CAB-C13-C14-AC	CORD,PWR,JMP,IEC60320/C14,IEC60320/C13, 3.0M	<p>ASSEMBLY: 3000±50 76(REF) LIVE(BROWN) NEUTRAL(BLUE) LIVE(BROWN) NEUTRAL(BLUE) HEAT SEALED 250±20</p>

Table 11 Available Power Cords

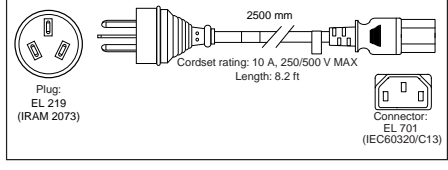
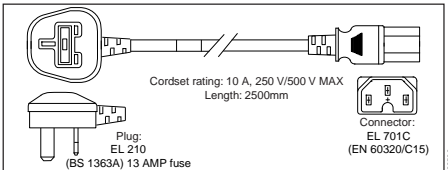
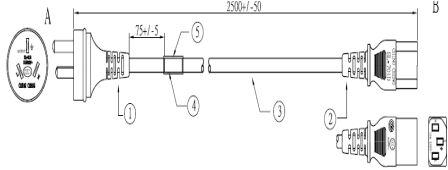
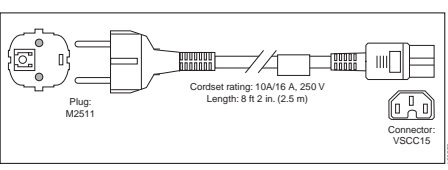
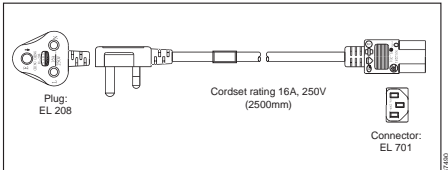
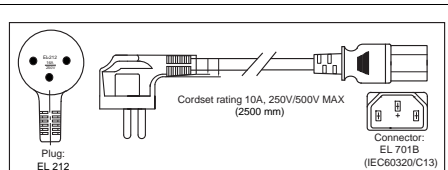
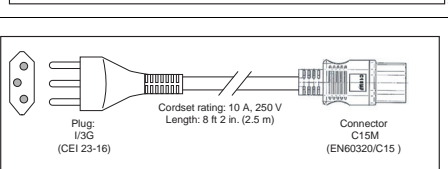
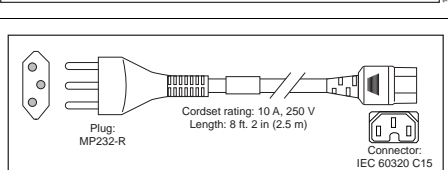
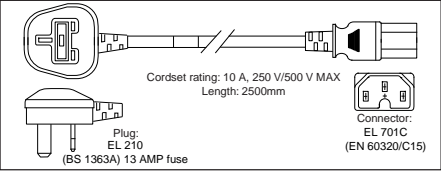
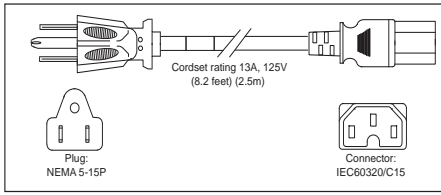
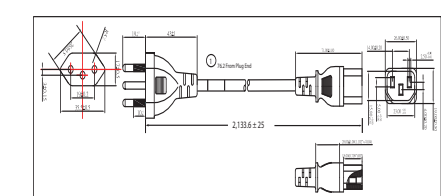
Product ID (PID)	PID Description	Images
CAB-250V-10A-AR	Power Cord, 250V, 10A, Argentina	 <p>Plug: EL 219 (IRAM 2073)</p> <p>Cordset rating: 10 A, 250/500 V MAX Length: 8.2 ft</p> <p>Connector: EL 701 (IEC60320/C13)</p>
CAB-9K10A-AU	Power Cord, 250VAC 10A 3112 Plug, Australia	 <p>Plug: EL 210 (BS 1363A) 13 AMP fuse</p> <p>Cordset rating: 10 A, 250 V/500 V MAX Length: 2500mm</p> <p>Connector: EL 701C (EN 60320/C15)</p>
CAB-250V-10A-CN	AC Power Cord - 250V, 10A - PRC	 <p>Plug: M2511</p> <p>Cordset rating: 10A/16 A, 250 V Length: 8 ft 2 in. (2.5 m)</p> <p>Connector: VSCC15</p>
CAB-9K10A-EU	Power Cord, 250VAC 10A CEE 7/7 Plug, EU	 <p>Plug: M2511</p> <p>Cordset rating: 10A/16 A, 250 V Length: 8 ft 2 in. (2.5 m)</p> <p>Connector: VSCC15</p>
CAB-250V-10A-ID	Power Cord, 250V, 10A, India	 <p>Plug: EL 208</p> <p>Cordset rating 16A, 250V (2500mm)</p> <p>Connector: EL 701</p>
CAB-250V-10A-IS	Power Cord, SFS, 250V, 10A, Israel	 <p>Plug: EL 212 (SI-32)</p> <p>Cordset rating 10A, 250V/500V MAX (2500 mm)</p> <p>Connector: EL 701B (IEC60320/C13)</p>
CAB-9K10A-IT	Power Cord, 250VAC 10A CEI 23-16/VII Plug, Italy	 <p>Plug: I/G (CEI 23-16)</p> <p>Cordset rating: 10 A, 250 V Length: 8 ft 2 in. (2.5 m)</p> <p>Connector: C15M (EN60320/C15)</p>
CAB-9K10A-SW	Power Cord, 250VAC 10A MP232 Plug, Switzerland	 <p>Plug: MP232-R</p> <p>Cordset rating: 10 A, 250 V Length: 8 ft. 2 in. (2.5 m)</p> <p>Connector: IEC 60320 C15</p>

Table 11 Available Power Cords

Product ID (PID)	PID Description	Images
CAB-9K10A-UK	Power Cord, 250VAC 10A BS1363 Plug (13 A fuse), UK	
CAB-9K12A-NA ¹	Power Cord, 125VAC 13A NEMA 5-15 Plug, North America	
CAB-250V-10A-BR	Power Cord - 250V, 10A - Brazil	
CAB-C13-C14-2M-JP	Power Cord C13-C14, 2M/6.5ft Japan PSE mark	Image not available
CAB-9K10A-KOR ¹	Power Cord, 125VAC 13A KSC8305 Plug, Korea	Image not available
CAB-ACTW	AC Power Cord (Taiwan), C13, EL 302, 2.3M	Image not available
CAB-JPN-3PIN	Japan, 90-125VAC 12A NEMA 5-15 Plug, 2.4m	Image not available
CAB-48DC-40A-INT	-48VDC PSU PWR Cord, 3.5M, 3 Wire, 8AWG, 40A (INT)	Image Not available
CAB-48DC-40A-AS	-48VDC PSU PWR Cord, 3.5M, 3Wire, 8AWG, 40A (AS/NZ)	Image Not available
CAB-C13-C14-IN ²	Power Cord Jumper,C13-C14 Connectors,1.4 Meter Length, India	Image Not available
CAB-C13-C14-3M-IN ²	Power Cord Jumper, C13-C14 Connectors, 3 Meter Length, India	Image Not available

Notes:

1. This power cord is rated to 125V and only supported for PSU rated at 1050W or less
2. These new replacement parts for cards in compliance with the Dec 1st, 2020 Bureau of Indian Standards (BIS) regulatory standard for lower-power consumption products.

STEP 10 SELECT ACCESSORIES

Select

- Internal micro SD Card Module HX-MSD-32G from [Table 12](#)
- Optional SFP adapter CVR-QSFP-SFP10G from [Table 13](#)

Table 12 Internal microSD Card Module

Product ID (PID)	PID Description
HX-MSD-32G	32GB Micro-SD Card for UCS servers



NOTE:

- This is a required component.
 - The micro-SD card mounts internally on riser 1.
 - The micro-SD card serves as a dedicated local resource for utilities such as HUU. Images can be pulled from a file share (NFS/CIFS) and uploaded to the cards for future use.
-

Table 13 Optional SFP adapter

Product ID (PID)	PID Description
CVR-QSFP-SFP10G	QSFP to SFP10G adapter



NOTE:

- This is a optional adapter and only needed when connected to FI series .
 - When choosing this option, please choose two QSAs per server.This is a required component.
-

STEP 11 ORDER SECURITY DEVICES (OPTIONAL)

A Trusted Platform Module (TPM) is a computer chip (microcontroller) that can securely store artifacts used to authenticate the platform (server). These artifacts can include passwords, certificates, or encryption keys. A TPM can also be used to store platform measurements that help ensure that the platform remains trustworthy. Authentication (ensuring that the platform can prove that it is what it claims to be) and attestation (a process helping to prove that a platform is trustworthy and has not been breached) are necessary steps to ensure safer computing in all environments.

A chassis intrusion switch gives a notification of any unauthorized mechanical access into the server.

The security device ordering information is listed in [Table 14](#).

Table 14 Security Devices

Product ID (PID)	PID Description
HX-TPM2-002	Trusted Platform Module 2.0 for UCS servers
HX-TPM2-002B	Trusted Platform Module 2.0 M5 UCS servers (FIPS 140-2 Compliant)
HX-INT-SW01	C220 M5 and C240 M5 Chassis Intrusion Switch



NOTE:

- The TPM module used in this system conforms to TPM v2.0, as defined by the Trusted Computing Group (TCG). It is also SPI-based.
 - TPM installation is supported after-factory. However, a TPM installs with a one-way screw and cannot be replaced, upgraded, or moved to another server. If a server with a TPM is returned, the replacement server must be ordered with a new TPM.
-

STEP 12 ORDER TOOL-LESS RAIL KIT AND OPTIONAL REVERSIBLE CABLE MANAGEMENT ARM

Select a Tool-Less Rail Kit

Select a tool-less rail kit from [Table 15](#).

Table 15 Tool-less Rail Kit Options

Product ID (PID)	PID Description
HX-RAILF-M4	Friction Rail Kit for C220 M4 rack servers
HX-RAILB-M4	Ball Bearing Rail Kit for C220 M4 and C240 M4 rack servers

Select an Optional Reversible Cable Management Arm

The reversible cable management arm mounts on either the right or left slide rails at the rear of the server and is used for cable management. Use [Table 16](#) to order a cable management arm.

Table 16 Cable Management Arm

Product ID (PID)	PID Description
HX-CMAF-M4	Reversible CMA for C220 M4 friction & ball bearing rail kits

For more information about the tool-less rail kit and cable management arm, see the *Cisco UCS C220 M5 Installation and Service Guide* at this URL:

https://www.cisco.com/c/en/us/td/docs/unified_computing/ucs/c/hw/C220M5/install/C220M5.html



NOTE: If you plan to rackmount your HXAF220c M5 All NVMe Node, you must order a tool-less rail kit. The same rail kits and CMA's are used for M4 and M5 servers.

STEP 13 SELECT HYPERVISOR / HOST OPERATING SYSTEM

Hypervisor/Operating systems options are available as follows. Select either VMware ESXi or Microsoft Windows Server with Hyper-V PIDs as desired from [Table 17](#)

Table 17 Hypervisor/Host Operating System

Product ID (PID)	PID Description
VMware	
HX-VSP-7-0-FND-D	Factory Installed vSphere SW 7.0 1-CPU Enduser provides License (HyperFlex Release 4.5(1a) and later)
HX-VSP-7-0-FND2-D	Factory Installed vSphere SW 7.0 2-CPU Enduser provides License (HyperFlex Release 4.5(1a) and later)
VMWare PAC Licenses¹	
HX-VSP-EPL-1A	VMware vSphere 7.x Ent Plus (1 CPU), 1-yr, Support Required
HX-VSP-EPL-3A	VMware vSphere 7.x Ent Plus (1 CPU), 3-yr, Support Required
HX-VSP-EPL-5A	VMware vSphere 7.x Ent Plus (1 CPU), 5-yr, Support Required
HX-VSP-STD-1A	VMware vSphere 7.x Standard (1 CPU), 1-yr, Support Required
HX-VSP-STD-3A	VMware vSphere 7.x Standard (1 CPU), 3-yr, Support Required
HX-VSP-STD-5A	VMware vSphere 7.x Standard (1 CPU), 5-yr, Support Required
Microsoft Hyper-V^{2,3}	
HX-MSWS-OPT-OUT	No Factory Install - Windows Server 2016 Data Center
Guest Operating system⁴	
Microsoft Windows Server	
HX-MSWS-19-ST16C	Windows Server 2019 Standard (16 Cores/2 VMs)
HX-MSWS-19-DC16C	Windows Server 2019 Data Center (16 Cores/Unlimited VMs)
HX-MSWS-22-ST16C	Windows Server 2022 Standard (16 Cores/2 VMs)
HX-MSWS-22-DC16C	Windows Server 2022 Data Center (16 Cores/Unlimited VMs)

Notes:

1. Choose quantity of two when choosing PAC licensing for dual CPU systems.
2. Microsoft Windows Server with Hyper-V will NOT be installed in Cisco Factory. Customers need to bring their own Windows Server ISO image that needs to be installed at deployment site.
3. To ensure the best possible Day 0 Installation experience, mandatory Installation Services are required with all Hyper-V orders. Details on PIDs can be found in HyperFlex Ordering Guide.
4. Optional guest OS licenses that may be purchased to run on top of the hypervisor

STEP 14 SELECT HX DATA PLATFORM SOFTWARE

HyperFlex Data Platform Edition & Subscription Period options are available as follows. Select as desired from [Table 18](#)

Table 18 HX Data Platform Software

Product ID (PID)	PID Description
HXDP-P-SLR	HyperFlex Data Platform Datacenter Premier SLR 1 to 10 Years
HXDP-P001-1YR To HXDP-P001-5YR	HyperFlex Data Platform Datacenter Premier (1 to 5) Yr

STEP 15 SELECT INSTALLATION SERVICE

To ensure the best possible Day 0 Installation experience, mandatory Installation Services are required with all Hyper-V orders. Customers can purchase Cisco Advanced Services (AS) or Cisco Learning partner mentored Services. Select as desired from [Table 19](#)

Table 19 Installation services

Product ID (PID)	PID Description
Cisco Advanced Services	
ASF-ULT2-HPF-QSS	Quick Start Services - 1 Week
ASF-ULT2-HPF-ADS	Accelerated Deployment Services - 2 Weeks
AS-DCN-CNSLT	Advanced Services Consulting

STEP 16 SELECT SERVICE and SUPPORT LEVEL

A variety of service options are available, as described in this section.

Smart Net Total Care (SNTC)

For support of the entire Unified Computing System, Cisco offers the Cisco Smart Net Total Care for UCS Service. This service provides expert software and hardware support to help sustain performance and high availability of the unified computing environment. Access to Cisco Technical Assistance Center (TAC) is provided around the clock, from anywhere in the world

For systems that include Unified Computing System Manager, the support service includes downloads of UCSM upgrades. The Cisco Smart Net Total Care for UCS Service includes flexible hardware replacement options, including replacement in as little as two hours. There is also access to Cisco's extensive online technical resources to help maintain optimal efficiency and uptime of the unified computing environment. For more information please refer to the following url: <http://www.cisco.com/c/en/us/services/technical/smart-net-total-care.html?stickynav=1>
You can choose a desired service listed in [Table 20](#).

Table 20 Cisco SNTC Service (PID HXAF220C-M5SX)

Service SKU	Service Level GSP	On Site?	Description
CON-PREM-AF220CM5	C2P	Yes	SNTC 24X7X2OS
CON-UCSD8-AF220CM5	UCSD8	Yes	UC SUPP DR 24X7X2OS*
CON-C2PL-AF220CM5	C2PL	Yes	LL 24X7X2OS**
CON-OSP-AF220CM5	C4P	Yes	SNTC 24X7X4OS
CON-UCSD7-AF220CM5	UCSD7	Yes	UCS DR 24X7X4OS*
CON-C4PL-AF220CM5	C4PL	Yes	LL 24X7X4OS**
CON-USD7L-AF220CM5	USD7L	Yes	LLUCS HW DR 24X7X4OS***
CON-OSE-AF220CM5	C4S	Yes	SNTC 8X5X4OS
CON-UCSD6-AF220CM5	UCSD6	Yes	UC SUPP DR 8X5X4OS*
CON-SNCO-AF220CM5	SNCO	Yes	SNTC 8x7xNCDOS****
CON-OS-AF220CM5	CS	Yes	SNTC 8X5XNBDOS
CON-UCSD5-AF220CM5	UCSD5	Yes	UCS DR 8X5XNBDOS*
CON-S2P-AF220CM5	S2P	No	SNTC 24X7X2
CON-S2PL-AF220CM5	S2PL	No	LL 24X7X2**
CON-SNTP-AF220CM5	SNTP	No	SNTC 24X7X4
CON-SNTPL-AF220CM5	SNTPL	No	LL 24X7X4**
CON-SNTE-AF220CM5	SNTE	No	SNTC 8X5X4
CON-SNC-AF220CM5	SNC	No	SNTC 8x7xNCD****
CON-SNT-AF220CM5	SNT	No	SNTC 8X5XNBD
CON-SW-AF220CM5	SW	No	SNTC NO RMA

*Includes Drive Retention (see below for full description)

**Includes Local Language Support (see below for full description) - Only available in China and Japan

***Includes Local Language Support and Drive Retention - Only available in China and Japan

****Available in China only

Smart Net Total Care with Onsite Troubleshooting Service

An enhanced offer over traditional Smart Net Total Care which provides onsite troubleshooting expertise to aid in the diagnostics and isolation of hardware issue within our customers' Cisco Hyper-Converged environment. It is delivered by a Cisco Certified field engineer (FE) in collaboration with remote TAC engineer and Virtual Internet working Support Engineer (VISE). You can choose a desired service listed in [Table 21](#)

Table 21 SNTC with UCS Onsite Troubleshooting Service (PID HXAF220C-M5SX)

Service SKU	Service Level GSP	On Site?	Description
CON-OSPT-AF220CM5	OSPT	Yes	24X7X40S Trblshtg
CON-OSPTD-AF220CM5	OSPTD	Yes	24X7X40S TrblshtgDR*
CON-OSPTL-AF220CM5	OSPTL	Yes	24X7X40S TrblshtgLL**
CON-OPTLD-AF220CM5	OPTLD	Yes	24X7X40S TrblshtgLLD***

*Includes Drive Retention (see below for full description)
 **Includes Local Language Support (see below for full description) – Only available in China and Japan
 ***Includes Local Language Support and Drive Retention – Only available in China and Japan

Solution Support

Solution Support includes both Cisco product support and solution-level support, resolving complex issues in multivendor environments, on average, 43% more quickly than product support alone. Solution Support is a critical element in data center administration, to help rapidly resolve any issue encountered, while maintaining performance, reliability, and return on investment.

This service centralizes support across your multivendor Cisco environment for both our products and solution partner products you've deployed in your ecosystem. Whether there is an issue with a Cisco or solution partner product, just call us. Our experts are the primary point of contact and own the case from first call to resolution. For more information please refer to the following url:

<http://www.cisco.com/c/en/us/services/technical/solution-support.html?stickynav=1>

You can choose a desired service listed in [Table 22](#)

Table 22 Solution Support Service (PID HXAF220C-M5SX)

Service SKU	Service Level GSP	On Site?	Description
CON-SSC2P-AF220CM5	SSC2P	Yes	SOLN SUPP 24X7X20S
CON-SSC4P-AF220CM5	SSC4P	Yes	SOLN SUPP 24X7X40S
CON-SSC4S-AF220CM5	SSC4S	Yes	SOLN SUPP 8X5X40S

Table 22 Solution Support Service (PID HXAF220C-M5SX)

CON-SSCS-AF220CM5	SSCS	Yes	SOLN SUPP 8X5XNBDOS
CON-SSDR7-AF220CM5	SSDR7	Yes	SSPT DR 24X7X4OS*
CON-SSDR5-AF220CM5	SSDR5	Yes	SSPT DR 8X5XNBDOS*
CON-SSS2P-AF220CM5	SSS2P	No	SOLN SUPP 24X7X2
CON-SSSNP-AF220CM5	SSSNP	No	SOLN SUPP 24X7X4
CON-SSSNE-AF220CM5	SSSNE	No	SOLN SUPP 8X5X4
CON-SSSNC-AF220CM5	SSSNC	No	SOLN SUPP NCD**
CON-SSSNT-AF220CM5	SSSNT	No	SOLN SUPP 8X5XNBD

Includes Drive Retention (see below for description)

**Available in China only

Partner Support Service for UCS

Cisco Partner Support Service (PSS) is a Cisco Collaborative Services service offering that is designed for partners to deliver their own branded support and managed services to enterprise customers. Cisco PSS provides partners with access to Cisco's support infrastructure and assets to help them:

- Expand their service portfolios to support the most complex network environments
- Lower delivery costs
- Deliver services that increase customer loyalty

PSS options enable eligible Cisco partners to develop and consistently deliver high-value technical support that capitalizes on Cisco intellectual assets. This helps partners to realize higher margins and expand their practice.

PSS is available to all Cisco PSS partners.

PSS provides hardware and software support, including triage support for third party software, backed by Cisco technical resources and level three support. You can choose a desired service listed in [Table 23](#).

Table 23 PSS (PID HXAF220C-M5SX)

Service SKU	Service Level GSP	On Site?	Description
CON-PSJ8-AF220CM5	PSJ8	Yes	UCS PSS 24X7X2 OS
CON-PSJ7-AF220CM5	PSJ7	Yes	UCS PSS 24X7X4 OS
CON-PSJD7-AF220CM5	PSJD7	Yes	UCS PSS 24X7X4 DR*
CON-PSJ6-AF220CM5	PSJ6	Yes	UCS PSS 8X5X4 OS
CON-PSJD6-AF220CM5	PSJD6	Yes	UCS PSS 8X5X4 DR*
CON-PSJ4-AF220CM5	PSJ4	No	UCS SUPP PSS 24X7X2
CON-PSJ3-AF220CM5	PSJ3	No	UCS SUPP PSS 24X7X4

Table 23 PSS (PID HXAF220C-M5SX)

CON-PSJ2-AF220CM5	PSJ2	No	UCS SUPP PSS 8X5X4
CON-PSJ1-AF220CM5	PSJ1	No	UCS SUPP PSS 8X5XNBD
*Includes Drive Retention (see below for description)			

Combined Support Service

Combined Services makes it easier to purchase and manage required services under one contract. The more benefits you realize from the Cisco HyperFlex System, the more important the technology becomes to your business. These services allow you to:

- Optimize the uptime, performance, and efficiency of your HyperFlex System
- Protect your vital business applications by rapidly identifying and addressing issues
- Strengthen in-house expertise through knowledge transfer and mentoring
- Improve operational efficiency by allowing HyperFlex experts to augment your internal staff resources
- Enhance business agility by diagnosing potential issues before they affect your operations

You can choose a desired service listed in [Table 24](#)

Table 24 Combined Support Service (PID HXAF220C-M5SX)

Service SKU	Service Level GSP	On Site?	Description
CON-NCF2P-AF220CM5	NCF2P	Yes	CMB SVC 24X7X2OS
CON-NCF4P-AF220CM5	NCF4P	Yes	CMB SVC 24X7X4OS
CON-NCF4S-AF220CM5	NCF4S	Yes	CMB SVC 8X5X4OS
CON-NCFCS-AF220CM5	NCFCS	Yes	CMB SVC 8X5XNBDOS
CON-NCF2-AF220CM5	NCF2	No	CMB SVC 24X7X2
CON-NCFP-AF220CM5	NCFP	No	CMB SVC 24X7X4
CON-NCFE-AF220CM5	NCFE	No	CMB SVC 8X5X4
CON-NCFT-AF220CM5	NCFT	No	CMB SVC 8X5XNBD
CON-NCFW-AF220CM5	NCFW	No	CMB SVC SW

UCS Drive Retention Service

With the Cisco Drive Retention Service, you can obtain a new disk drive in exchange for a faulty drive without returning the faulty drive.

Sophisticated data recovery techniques have made classified, proprietary, and confidential information vulnerable, even on malfunctioning disk drives. The Drive Retention service enables you to retain your drives and ensures that the sensitive data on those drives is not compromised, which reduces the risk of any potential liabilities. This service also enables you to comply with regulatory, local, and federal requirements.

If your company has a need to control confidential, classified, sensitive, or proprietary data, you might want to consider one of the Drive Retention Services listed in the above tables (where available)



NOTE: Cisco does not offer a certified drive destruction service as part of this service.

Local Language Technical Support for UCS

Where available, and subject to an additional fee, local language support for calls on all assigned severity levels may be available for specific product(s) - see tables above.

For a complete listing of available services for Cisco HyperFlex System, see the following URL:
<https://www.cisco.com/c/en/us/services/technical.html?stickynav=1>

SUPPLEMENTAL MATERIAL

Hyperconverged Systems

Cisco HyperFlex Systems let you unlock the full potential of hyperconvergence and adapt IT to the needs of your workloads. The systems use an end-to-end software-defined infrastructure approach, combining software-defined computing in the form of Cisco HyperFlex HX-Series nodes; software-defined storage with the powerful Cisco HX Data Platform; and software-defined networking with the Cisco UCS fabric that will integrate smoothly with Cisco Application Centric Infrastructure (Cisco ACI). Together with a single point of connectivity and management, these technologies deliver a preintegrated and adaptable cluster with a unified pool of resources that you can quickly deploy, adapt, scale, and manage to efficiently power your applications and your business.

Figure 5 and Figure 6 show a small footprint cluster.

Figure 5 Small Footprint Cluster Using HXAF220c M5 Nodes Data Centre With Fabric Interconnect Deployment Mode

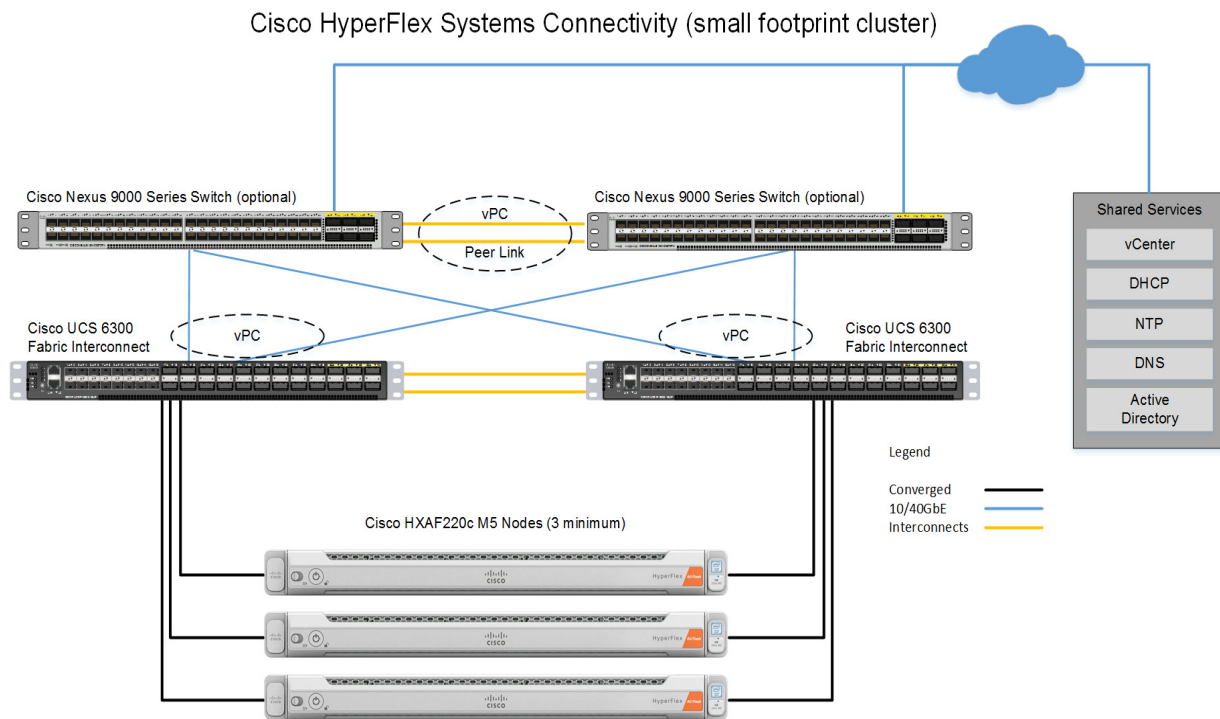
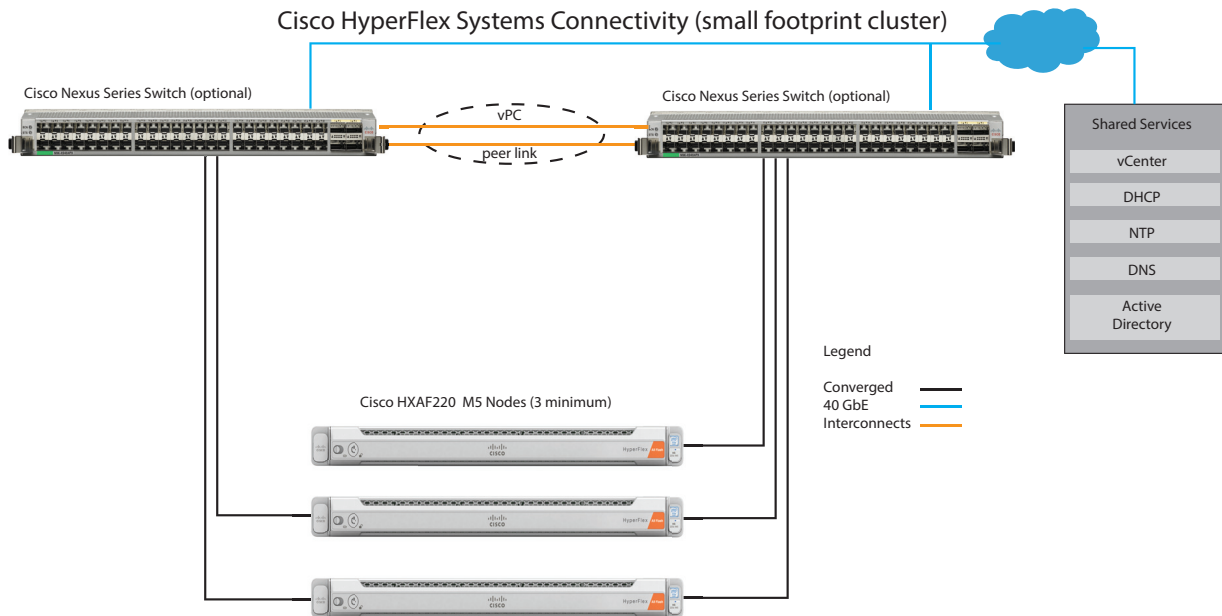


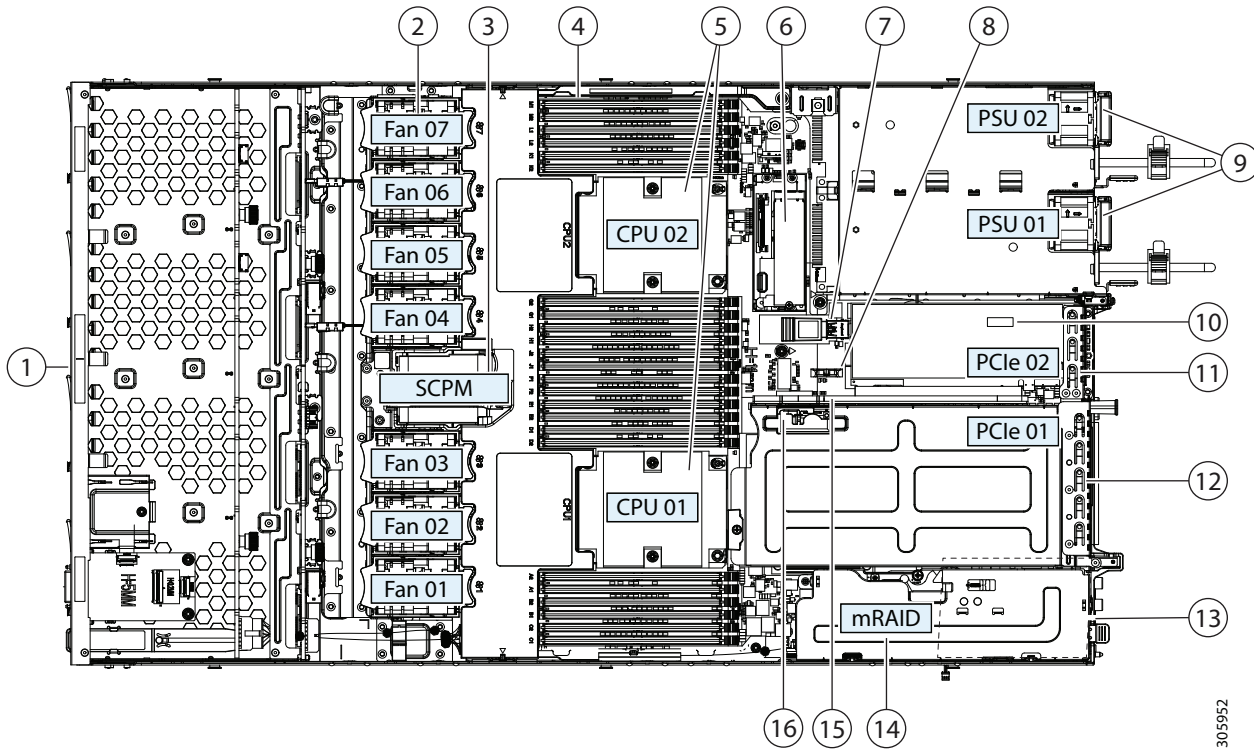
Figure 6 Small Footprint Cluster Using HXAF220c M5 Nodes Data Centre Without Fabric Interconnect Deployment Mode



CHASSIS

An internal view of the HXAF220c M5 All NVMe Node chassis with the top cover removed is shown in [Figure 7](#).

Figure 7 HXAF220c M5 All NVMe With Top Cover Off

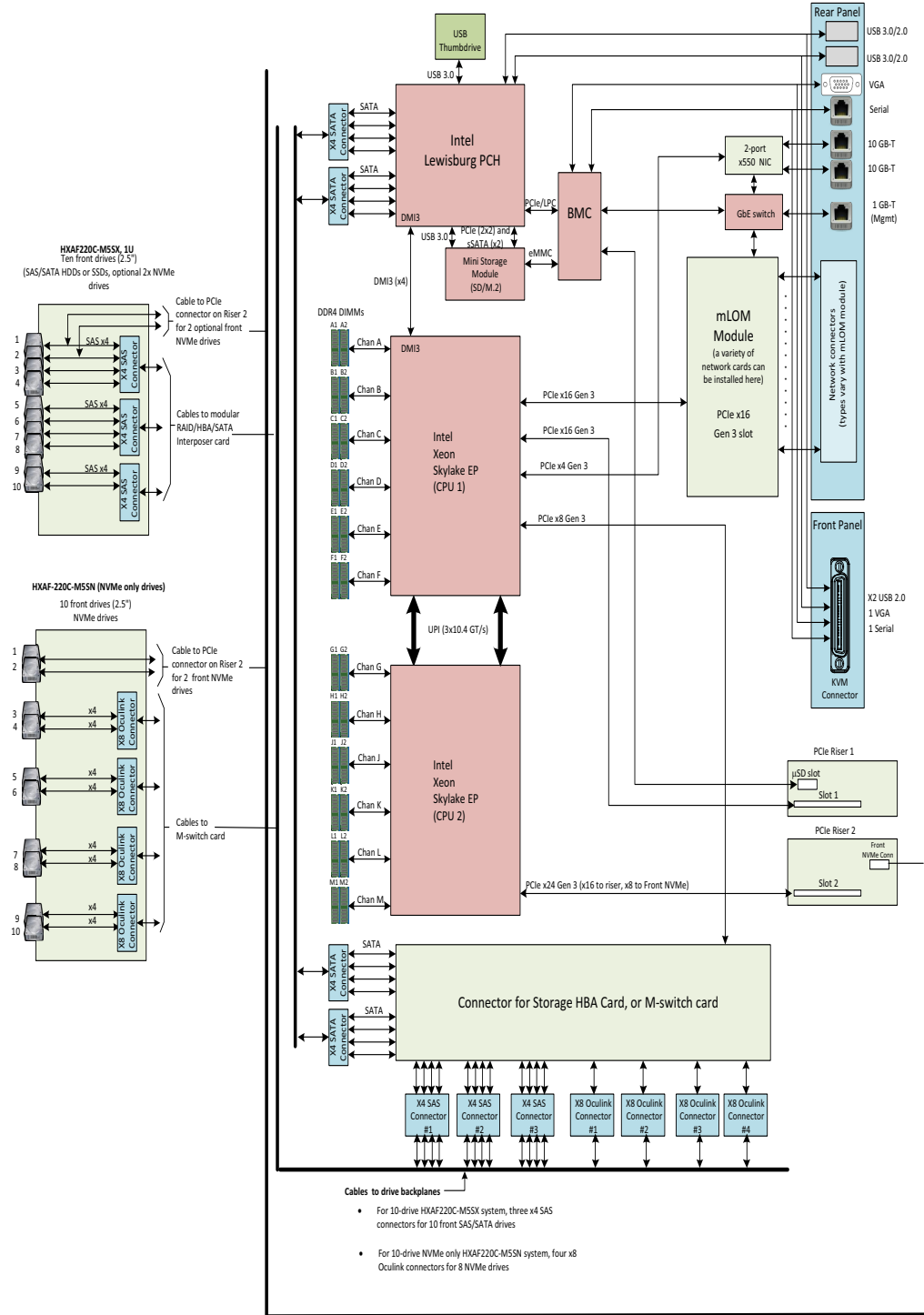


305952

1	Drive bays 1-10 are hot swappable	9	Power supplies (Hot-swappable when redundant as 1+1)
2	Cooling fan modules (seven)	10	Trusted platform module (TPM) socket on motherboard (not visible in this view)
3	N/A	11	PCIe slot 2 (half-height, x16); includes PCIe cable connector for SFF NVMe SSDs (x8)
4	DIMM sockets on motherboard (up to 12 per CPU; total 24)	12	PCIe slot 1 (full-height, x16); includes socket for Micro-SD card
5	CPUs and heatsinks (up to two)	13	Modular LOM (mLOM) card bay on chassis floor (x16) (not visible in this view)
6	Mini storage module connector For M.2 module with SATA M.2 SSD slots	14	-
7	Internal USB 3.0 port on motherboard	15	PCIe cable connectors for front-panel NVMe SSDs on PCIe riser 2
8	RTC battery vertical socket on motherboard	16	Micro-SD card socket on PCIe riser 1

Block Diagram

Figure 8 HXAF220c M5 All NVMe Block Diagram

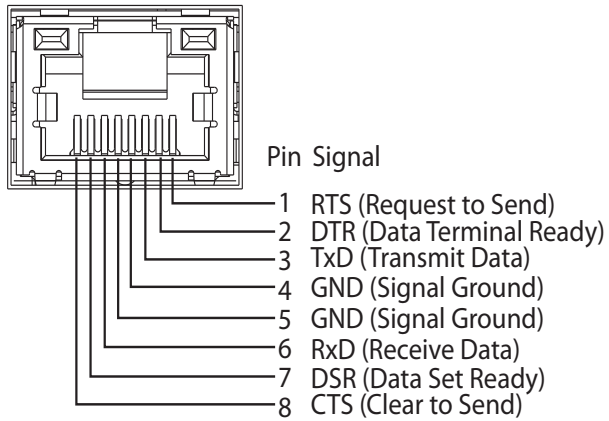


Serial Port Details

The pinout details of the rear RJ-45 serial port connector are shown in [Figure 9](#).

Figure 9 Serial Port (Female RJ-45 Connector) Pinout

Serial Port (RJ-45 Female Connector)



Upgrade and Servicing-Related Parts

This section lists the upgrade and servicing-related parts you may need during the life of your system. Some of these parts are configured with every system, and some may be ordered when needed or may be ordered and kept on hand as spares for future use.

Table 25 Upgrade and Servicing-related Parts for HXAF220c M5 All NVMe Server

Spare Product ID (PID)	Description
UCSC-HS-C220M5=	Heat sink for UCS C220 M5 rack servers 150W CPUs & below
UCSC-HS2-C220M5=	Heat sink for UCS C220 M5 rack servers CPUs above 150W
UCS-CPUAT=	CPU Assembly Tool for M5 Servers
UCS-CPU-TIM=	Single CPU thermal interface material syringe for M5 server HS seal
UCSX-HSCK=	UCS Processor Heat Sink Cleaning Kit For Replacement of CPU
UCS-M5-CPU-CAR=	UCS M5 CPU Carrier
CBL-NVME-C220FF=	C220 M5L/M5S PCIe SSD cable (1) for SFF & LFF chassis
UCSC-SATA-KIT-M5=	C220 M5 (2) SATA/SW RAID cables, 1U riser & interposer, for up to 8-drives
UCSC-SATAIN-220M5=	C220 M5 (8-drive) SATA Interposer board
UCSC-XRAIDR-220M5=	Riser to support SATA, MRAID for C220 M5 servers
UCSC-BBLKD-S2=	C-Series M5 SFF drive blanking panel
UCSC-PCIF-01H=	PCIe Low Profile blanking panel for UCS C-Series Server
UCSC-PCIF-01F=	PCIe Full Height blanking panel for UCS C-Series Server
UCSC-MLOM-BLK=	MLOM Blanking Panel
UCSC-RAILF-M4=	Friction Rail Kit for C220 M4 and M5 rack servers
UCSC-CMAF-M4=	Reversible CMA for C220 & C240 M4 & M5 rack servers
UCSC-RAILB-M4=	Ball Bearing Rail Kit for C220 & C240 M4 & M5 rack servers
UCSC-FAN-C220M5=	C220 M5 Fan Module (one)
N20-BKVM=	KVM cable for Server console port
UCSC-PSU-BLKP1U=	Power Supply Blanking Panel for C220 M5 and C240 M5 servers
UCS-MSTOR-SD=	Mini Storage Carrier for SD (holds up to 2)
UCS-MSTOR-M2=	Mini Storage Carrier for M.2 SATA/NVME (holds up to 2)

KVM CABLE

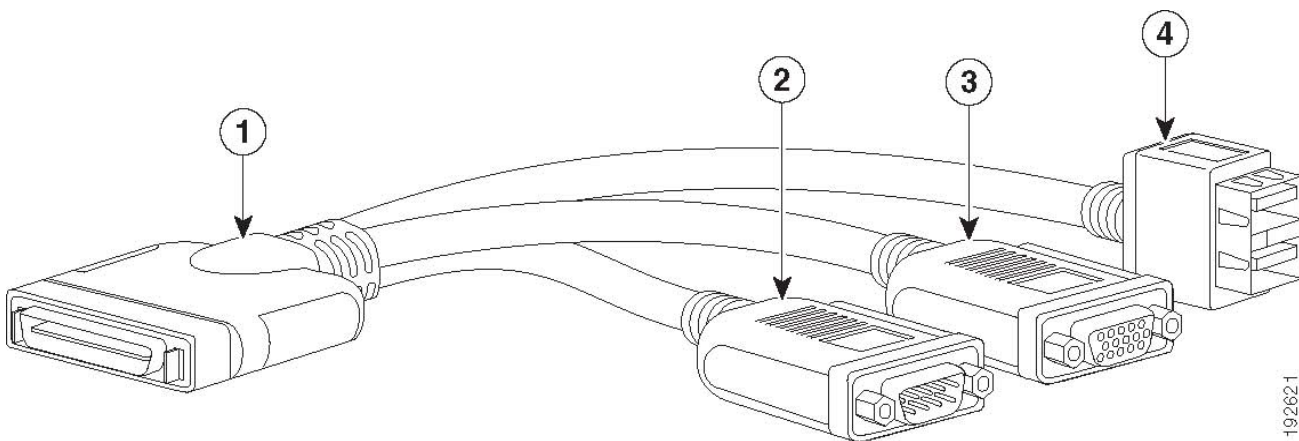
The KVM cable provides a connection into the server, providing a DB9 serial connector, a VGA connector for a monitor, and dual USB ports for a keyboard and mouse. With this cable, you can create a direct connection to the operating system and the BIOS running on the server.

The KVM cable ordering information is listed in [Table 26](#).

Table 26 KVM Cable

Product ID (PID)	PID Description
N20-BKVM=	KVM cable for UCS Server console port

Figure 10 KVM Cable



192621

1	Connector (to server front panel)	3	VGA connector (for a monitor)
2	DB-9 serial connector	4	Two-port USB connector (for a mouse and keyboard)

DISCONTINUED EOL PRODUCTS

Below is the list of parts were previously available for this product and are no longer sold. Please refer to the EOL Bulletin Links via the [Table 27](#) below to determine if still supported.

Table 27 EOL Products

EOS option PID	Description	EOL bulletin link
DRIVES		
HX-NVMEXP-I375	Cisco 2.5" 375GB Intel Optane NVMe Extreme Performance SSD	https://www.cisco.com/c/en/us/products/collateral/servers-unified-computing/ucs-c-series-rack-servers/eos-eol-notice-c51-742509.html
HX-NVMELW-I500	Cisco 2.5" U.2 500GB Intel P4501 NVMe Med. Perf. Value Endurance	https://www.cisco.com/c/en/us/products/collateral/servers-unified-computing/ucs-c-series-rack-servers/eos-eol-notice-c51-742509.html
HX-NVMEHW-I1000	1TB 2.5in U.2 Intel P4500 NVMe High Perf. Value Endurance	https://www.cisco.com/c/en/us/products/collateral/servers-unified-computing/ucs-c-series-rack-servers/eos-eol-notice-c51-742823.html
HX-NVMEHW-I4000	4TB 2.5in U.2 Intel P4500 NVMe High Perf. Value Endurance	https://www.cisco.com/c/en/us/products/collateral/servers-unified-computing/ucs-c-series-rack-servers/eos-eol-notice-c51-742823.html
CPU		
HX-CPU-I8280M	Intel 8280M 2.7GHz/205W 28C/38.50MB 3DX DDR4 2TB 2933 MHz	https://www.cisco.com/c/en/us/products/collateral/servers-unified-computing/ucs-c-series-rack-servers/eos-eol-notice-c51-743832.html
HX-CPU-I8276M	Intel 8276M 2.2GHz/165W 28C/38.50MB 3DX DDR4 2TB 2933 MHz	https://www.cisco.com/c/en/us/products/collateral/servers-unified-computing/ucs-c-series-rack-servers/eos-eol-notice-c51-743832.html
HX-CPU-I8260M	Intel 8260M 2.4GHz/165W 24C/35.75MB 3DX DDR4 2TB 2933 MHz	https://www.cisco.com/c/en/us/products/collateral/servers-unified-computing/ucs-c-series-rack-servers/eos-eol-notice-c51-743832.html
HX-CPU-I6240M	Intel 6240M 2.6GHz/150W 18C/24.75MB 3DX DDR4 2TB 2933 MHz	https://www.cisco.com/c/en/us/products/collateral/servers-unified-computing/ucs-c-series-rack-servers/eos-eol-notice-c51-743832.html
HX-CPU-I6238M	Intel 6238M 2.1GHz/140W 22C/30.25MB 3DX DDR4 2TB 2933 MHz	https://www.cisco.com/c/en/us/products/collateral/servers-unified-computing/ucs-c-series-rack-servers/eos-eol-notice-c51-743832.html
HX-CPU-I5215M	Intel 5215M 2.5GHz/85W 10C/13.75MB 3DX DDR4 2TB 2666MHz	https://www.cisco.com/c/en/us/products/collateral/servers-unified-computing/ucs-c-series-rack-servers/eos-eol-notice-c51-743832.html
HX-CPU-8180M	2.5 GHz 8180M/205W 28C/38.50MB Cache/DDR4 2666MHz	https://www.cisco.com/c/en/us/products/collateral/servers-unified-computing/ucs-c-series-rack-servers/eos-eol-notice-c51-744580.html
HX-CPU-8176M	2.1 GHz 8176M/165W 28C/38.50MB Cache/DDR4 2666MHz	https://www.cisco.com/c/en/us/products/collateral/servers-unified-computing/ucs-c-series-rack-servers/eos-eol-notice-c51-744580.html
HX-CPU-8170M	2.1 GHz 8170M/165W 26C/35.75MB Cache/DDR4 2666MHz	https://www.cisco.com/c/en/us/products/collateral/servers-unified-computing/ucs-c-series-rack-servers/eos-eol-notice-c51-744580.html

Table 27 EOL Products

EOS option PID	Description	EOL bulletin link
HX-CPU-8160M	2.1 GHz 8160M/150W 24C/33MB Cache/DDR4 2666MHz	https://www.cisco.com/c/en/us/products/collateral/servers-unified-computing/ucs-c-series-rack-servers/eos-eol-notice-c51-744580.html
HX-CPU-8180	2.5 GHz 8180/205W 28C/38.50MB Cache/DDR4 2666MHz	https://www.cisco.com/c/en/us/products/collateral/servers-unified-computing/ucs-c-series-rack-servers/eos-eol-notice-c51-744580.html
HX-CPU-8176	2.1 GHz 8176/165W 28C/38.50MB Cache/DDR4 2666MHz	https://www.cisco.com/c/en/us/products/collateral/servers-unified-computing/ucs-c-series-rack-servers/eos-eol-notice-c51-744580.html
HX-CPU-8170	2.1 GHz 8170/165W 26C/35.75MB Cache/DDR4 2666MHz	https://www.cisco.com/c/en/us/products/collateral/servers-unified-computing/ucs-c-series-rack-servers/eos-eol-notice-c51-744580.html
HX-CPU-8168	2.7 GHz 8168/205W 24C/33MB Cache/DDR4 2666MHz	https://www.cisco.com/c/en/us/products/collateral/servers-unified-computing/ucs-c-series-rack-servers/eos-eol-notice-c51-744580.html
HX-CPU-8164	2.0 GHz 8164/150W 26C/35.75MB Cache/DDR4 2666MHz	https://www.cisco.com/c/en/us/products/collateral/servers-unified-computing/ucs-c-series-rack-servers/eos-eol-notice-c51-744580.html
HX-CPU-8160	2.1 GHz 8160/150W 24C/33MB Cache/DDR4 2666MHz	https://www.cisco.com/c/en/us/products/collateral/servers-unified-computing/ucs-c-series-rack-servers/eos-eol-notice-c51-744580.html
HX-CPU-8158	3.0 GHz 8158/150W 12C/24.75MB Cache/DDR4 2666MHz	https://www.cisco.com/c/en/us/products/collateral/servers-unified-computing/ucs-c-series-rack-servers/eos-eol-notice-c51-744580.html
HX-CPU-8153	2.0 GHz 8153/125W 16C/22MB Cache/DDR4 2666MHz	https://www.cisco.com/c/en/us/products/collateral/servers-unified-computing/ucs-c-series-rack-servers/eos-eol-notice-c51-744580.html
HX-CPU-6142M	2.6 GHz 6142M/150W 16C/22MB Cache/DDR4 2666MHz	https://www.cisco.com/c/en/us/products/collateral/servers-unified-computing/ucs-c-series-rack-servers/eos-eol-notice-c51-744580.html
HX-CPU-6140M	2.3 GHz 6140M/140W 18C/24.75MB Cache/DDR4 2666MHz	https://www.cisco.com/c/en/us/products/collateral/servers-unified-computing/ucs-c-series-rack-servers/eos-eol-notice-c51-744580.html
HX-CPU-6134M	3.2 GHz 6134M/130W 8C/24.75MB Cache/DDR4 2666MHz	https://www.cisco.com/c/en/us/products/collateral/servers-unified-computing/ucs-c-series-rack-servers/eos-eol-notice-c51-744580.html
HX-CPU-6154	3.0 GHz 6154/200W 18C/24.75MB Cache/DDR4 2666MHz	https://www.cisco.com/c/en/us/products/collateral/servers-unified-computing/ucs-c-series-rack-servers/eos-eol-notice-c51-744580.html
HX-CPU-6152	2.1 GHz 6152/140W 22C/30.25MB Cache/DDR4 2666MHz	https://www.cisco.com/c/en/us/products/collateral/servers-unified-computing/ucs-c-series-rack-servers/eos-eol-notice-c51-744580.html
HX-CPU-6150	2.7 GHz 6150/165W 18C/24.75MB Cache/DDR4 2666MHz	https://www.cisco.com/c/en/us/products/collateral/servers-unified-computing/ucs-c-series-rack-servers/eos-eol-notice-c51-744580.html
HX-CPU-6148	2.4 GHz 6148/150W 20C/27.50MB Cache/DDR4 2666MHz	https://www.cisco.com/c/en/us/products/collateral/servers-unified-computing/ucs-c-series-rack-servers/eos-eol-notice-c51-744580.html

Table 27 EOL Products

EOS option PID	Description	EOL bulletin link
HX-CPU-6144	3.5 GHz 6144/150W 8C/24.75MB Cache/DDR4 2666MHz	https://www.cisco.com/c/en/us/products/collateral/servers-unified-computing/ucs-c-series-rack-servers/eos-eol-notice-c51-744580.html
HX-CPU-6142	2.6 GHz 6142/150W 16C/22MB Cache/DDR4 2666MHz	https://www.cisco.com/c/en/us/products/collateral/servers-unified-computing/ucs-c-series-rack-servers/eos-eol-notice-c51-744580.html
HX-CPU-6140	2.3 GHz 6140/140W 18C/24.75MB Cache/DDR4 2666MHz	https://www.cisco.com/c/en/us/products/collateral/servers-unified-computing/ucs-c-series-rack-servers/eos-eol-notice-c51-744580.html
HX-CPU-6146	3.2 GHz 6146/165W 12C/24.75MB Cache/DDR4 2666MHz	https://www.cisco.com/c/en/us/products/collateral/servers-unified-computing/ucs-c-series-rack-servers/eos-eol-notice-c51-744580.html
HX-CPU-6138	2.0 GHz 6138/125W 20C/27.50MB Cache/DDR4 2666MHz	https://www.cisco.com/c/en/us/products/collateral/servers-unified-computing/ucs-c-series-rack-servers/eos-eol-notice-c51-744580.html
HX-CPU-6136	3.0 GHz 6136/150W 12C/24.75MB Cache/DDR4 2666MHz	https://www.cisco.com/c/en/us/products/collateral/servers-unified-computing/ucs-c-series-rack-servers/eos-eol-notice-c51-744580.html
HX-CPU-6134	3.2 GHz 6134/130W 8C/24.75MB Cache/DDR4 2666MHz	https://www.cisco.com/c/en/us/products/collateral/servers-unified-computing/ucs-c-series-rack-servers/eos-eol-notice-c51-744580.html
HX-CPU-6132	2.6 GHz 6132/140W 14C/19.25MB Cache/DDR4 2666MHz	https://www.cisco.com/c/en/us/products/collateral/servers-unified-computing/ucs-c-series-rack-servers/eos-eol-notice-c51-744580.html
HX-CPU-6130	2.1 GHz 6130/125W 16C/22MB Cache/DDR4 2666MHz	https://www.cisco.com/c/en/us/products/collateral/servers-unified-computing/ucs-c-series-rack-servers/eos-eol-notice-c51-744580.html
HX-CPU-6126	2.6 GHz 6126/125W 12C/19.25MB Cache/DDR4 2666MHz	https://www.cisco.com/c/en/us/products/collateral/servers-unified-computing/ucs-c-series-rack-servers/eos-eol-notice-c51-744580.html
HX-CPU-5120	2.2 GHz 5120/105W 14C/19.25MB Cache/DDR4 2400MHz	https://www.cisco.com/c/en/us/products/collateral/servers-unified-computing/ucs-c-series-rack-servers/eos-eol-notice-c51-744580.html
HX-CPU-5118	2.3 GHz 5118/105W 12C/16.50MB Cache/DDR4 2400MHz	https://www.cisco.com/c/en/us/products/collateral/servers-unified-computing/ucs-c-series-rack-servers/eos-eol-notice-c51-744580.html
HX-CPU-5117	2.0 GHz 5117/105W 14C/19.25MB Cache/DDR4 2400MHz	https://www.cisco.com/c/en/us/products/collateral/servers-unified-computing/ucs-c-series-rack-servers/eos-eol-notice-c51-744580.html
HX-CPU-5115	2.4 GHz 5115/85W 10C/13.75MB Cache/DDR4 2400MHz	https://www.cisco.com/c/en/us/products/collateral/servers-unified-computing/ucs-c-series-rack-servers/eos-eol-notice-c51-744580.html
HX-CPU-4116	2.1 GHz 4116/85W 12C/16.50MB Cache/DDR4 2400MHz	https://www.cisco.com/c/en/us/products/collateral/servers-unified-computing/ucs-c-series-rack-servers/eos-eol-notice-c51-744580.html
HX-CPU-4114	2.2 GHz 4114/85W 10C/13.75MB Cache/DDR4 2400MHz	https://www.cisco.com/c/en/us/products/collateral/servers-unified-computing/ucs-c-series-rack-servers/eos-eol-notice-c51-744580.html

Table 27 EOL Products

EOS option PID	Description	EOL bulletin link
HX-CPU-4110	2.1 GHz 4110/85W 8C/11MB Cache/DDR4 2400MHz	https://www.cisco.com/c/en/us/products/collateral/servers-unified-computing/ucs-c-series-rack-servers/eos-eol-notice-c51-744580.html
HX-CPU-4108	1.8 GHz 4108/85W 8C/11MB Cache/DDR4 2400MHz	https://www.cisco.com/c/en/us/products/collateral/servers-unified-computing/ucs-c-series-rack-servers/eos-eol-notice-c51-744580.html
Memory		
HX-MR-128G8RS-H	128 GB DDR4-2666-MHz TSV-RDIMM/8R/x4	https://www.cisco.com/c/en/us/products/collateral/servers-unified-computing/ucs-c-series-rack-server/eos-eol-notice-c51-740780.html
HX-ML-X64G4RS-H	64 GB DDR4-2666-MHz LRDIMM/4R/x4	https://www.cisco.com/c/en/us/products/collateral/servers-unified-computing/ucs-c-series-rack-server/eos-eol-notice-c51-740780.html
HX-MR-X32G2RS-H	32 GB DDR4-2666-MHz RDIMM/2R/x4	https://www.cisco.com/c/en/us/products/collateral/servers-unified-computing/ucs-c-series-rack-server/eos-eol-notice-c51-740780.html
HX-MR-X16G1RS-H	16 GB DDR4-2666-MHz RDIMM/1R/x4	https://www.cisco.com/c/en/us/products/collateral/servers-unified-computing/ucs-c-series-rack-server/eos-eol-notice-c51-740780.html
HX-MR-X16G1RT-H	16GB DDR4-2933MHz RDIMM 1Rx4 (8Gb)/1.2v	https://www.cisco.com/c/en/us/products/collateral/servers-unified-computing/ucs-c-series-rack-server/ucs-hyperflex-accessories-eol14611.html
HX-MR-X32G2RT-H	32GB DDR4-2933MHz RDIMM 2Rx4 (8Gb)/1.2v	https://www.cisco.com/c/en/us/products/collateral/servers-unified-computing/ucs-c-series-rack-server/ucs-hyperflex-accessories-eol14611.html
HX-MR-X64G2RT-H	64GB DDR4-2933MHz RDIMM 2Rx4 (16Gb)/1.2v	https://www.cisco.com/c/en/us/products/collateral/servers-unified-computing/ucs-c-series-rack-server/ucs-hyperflex-accessories-eol14611.html
HX-ML-X64G4RT-H	64GB DDR4-2933MHz LRDIMM 4Rx4 (8Gb)/1.2v	https://www.cisco.com/c/en/us/products/collateral/servers-unified-computing/ucs-c-series-rack-server/ucs-hyperflex-accessories-eol14611.html
HX-ML-128G4RT-H	128GB DDR4-2933MHz LRDIMM 4Rx4 (16Gb)/1.2v	https://www.cisco.com/c/en/us/products/collateral/servers-unified-computing/ucs-c-series-rack-server/ucs-hyperflex-accessories-eol14611.html
Host OS		
HX-VSP-ENT-D	Factory Installed - VMware vSphere6 Ent SW and Lic (2 CPU)	https://www.cisco.com/c/en/us/products/collateral/servers-unified-computing/ucs-b-series-blade-servers/eos-eol-notice-c51-740304.html

Table 27 EOL Products

EOS option PID	Description	EOL bulletin link
HX-VSP-ENT-DL	Factory Installed - VMware vSphere6 Enterprise SW Download	https://www.cisco.com/c/en/us/products/collateral/servers-unified-computing/ucs-b-series-blade-servers/eos-eol-notice-c51-740304.html
Microsoft Windows server		
HX-16-ST16C	Windows Server 2016 Standard (16 Cores/2 VMs)	https://www.cisco.com/c/en/us/products/servers-unified-computing/ucs-c-series-rack-servers/eos-eol-notice-c51-743145.html
HX-16-ST24C	Windows Server 2016 Standard (24 Cores/2 VMs)	https://www.cisco.com/c/en/us/products/servers-unified-computing/ucs-c-series-rack-servers/eos-eol-notice-c51-743145.html
HX-16-ST16C-NS	Windows Server 2016 Standard (16 Cores/2 VMs) - No Cisco SVC	https://www.cisco.com/c/en/us/products/servers-unified-computing/ucs-c-series-rack-servers/eos-eol-notice-c51-743145.html
HX-16-ST24C-NS	Windows Server 2016 Standard (24 Cores/2 VMs) - No Cisco SVC	https://www.cisco.com/c/en/us/products/servers-unified-computing/ucs-c-series-rack-servers/eos-eol-notice-c51-743145.html
HX-16-DC16C	Windows Server 2016 Data Center (16 Cores/Unlimited VMs)	https://www.cisco.com/c/en/us/products/servers-unified-computing/ucs-c-series-rack-servers/eos-eol-notice-c51-743145.html
HX-16-DC24C	Windows Server 2016 Data Center (24 Cores/Unlimited VMs)	https://www.cisco.com/c/en/us/products/servers-unified-computing/ucs-c-series-rack-servers/eos-eol-notice-c51-743145.html
HX-16-DC16C-NS	Windows Server 2016 DC (16 Cores/Unlim VMs) - No Cisco SVC	https://www.cisco.com/c/en/us/products/servers-unified-computing/ucs-c-series-rack-servers/eos-eol-notice-c51-743145.html
HX-16-DC24C-NS	Windows Server 2016 DC (24 Cores/Unlim VMs) - No Cisco SVC	https://www.cisco.com/c/en/us/products/servers-unified-computing/ucs-c-series-rack-servers/eos-eol-notice-c51-743145.html
OS Media		
HX-16-ST16C-RM	Windows Server 2016 Std (16 Cores/2 VMs) - Recovery Media	https://www.cisco.com/c/en/us/products/servers-unified-computing/ucs-c-series-rack-servers/eos-eol-notice-c51-743145.html
HX-16-ST24C-RM	Windows Server 2016 Std (24 Cores/2 VMs) - Recovery Media	https://www.cisco.com/c/en/us/products/servers-unified-computing/ucs-c-series-rack-servers/eos-eol-notice-c51-743145.html
HX-16-DC16C-RM	Windows Server 2016 DC (16 Cores/Unlim VMs) - Recovery Media	https://www.cisco.com/c/en/us/products/servers-unified-computing/ucs-c-series-rack-servers/eos-eol-notice-c51-743145.html
HX-16-DC24C-RM	Windows Server 2016 DC (24 Cores/Unlim VMs) - Recovery Media	https://www.cisco.com/c/en/us/products/servers-unified-computing/ucs-c-series-rack-servers/eos-eol-notice-c51-743145.html

TECHNICAL SPECIFICATIONS

Dimensions and Weight

Table 28 HXAF220c M5 All NVMe Dimensions and Weight

Parameter	Value
Height	1.7 in. (4.32 cm)
Width	16.89 in. (43.0 cm)
Depth	including handles: 18.98 in. (48.2 cm)
	29.8 in. (75.6 cm)
	including handles: 30.98 in. (78.7 cm)
Front Clearance	3 in. (76 mm)
Side Clearance	1 in. (25 mm)
Rear Clearance	6 in. (152 mm)
Weight	
Maximum (8 HDDs, 2 CPUs, 16 DIMMs, two power supplies)	37.5 lbs (17.0 kg)
Minimum (1 HDD, 1 CPU, 1 DIMM, one power supply)	29.0 lbs (13.2 kg)
Bare (0 HDD, 0 CPU, 0 DIMM, one power supply)	26.7 lbs (12.1 kg)

Power Specifications

The server is available with the following types of power supplies:

- 1050 W (AC) power supply (see [Table 29](#)).
- 1050 W V2 (DC) power supply (see [Table 30](#))
- 1600 power supply (see [Table 31](#))

Table 29 HXAF220c M5 All NVMe 1050 W (AC) Power Supply Specifications

Parameter	Specification			
Input Connector	IEC320 C14			
Input Voltage Range (V rms)	100 to 240			
Maximum Allowable Input Voltage Range (V rms)	90 to 264			
Frequency Range (Hz)	50 to 60			
Maximum Allowable Frequency Range (Hz)	47 to 63			
Maximum Rated Output (W) ¹	800			1050
Maximum Rated Standby Output (W)			36	
Nominal Input Voltage (V rms)	100	120	208	230
Nominal Input Current (A rms)	9.2	7.6	5.8	5.2
Maximum Input at Nominal Input Voltage (W)	889	889	1167	1154
Maximum Input at Nominal Input Voltage (VA)	916	916	1203	1190
Minimum Rated Efficiency (%) ²	90	90	90	91
Minimum Rated Power Factor ²	0.97	0.97	0.97	0.97
Maximum Inrush Current (A peak)			15	
Maximum Inrush Current (ms)			0.2	
Minimum Ride-Through Time (ms) ³			12	

Notes:

1. Maximum rated output is limited to 800W when operating at low-line input voltage (100-127V)
2. This is the minimum rating required to achieve 80 PLUS Platinum certification, see test reports published at <http://www.80plus.org/> for certified values
3. Time output voltage remains within regulation limits at 100% load, during input voltage dropout

Table 30 HXAF220c M5 All NVMe 1050 W (DC) Power Supply Specifications

Parameter	Specification
Input Connector	Molex 42820
Input Voltage Range (V rms)	-48
Maximum Allowable Input Voltage Range (V rms)	-40 to -72
Frequency Range (Hz)	NA
Maximum Allowable Frequency Range (Hz)	NA
Maximum Rated Output (W)	1050

Table 30 HXAF220c M5 All NVMe 1050 W (DC) Power Supply Specifications

Maximum Rated Standby Output (W)	36
Nominal Input Voltage (V rms)	-48
Nominal Input Current (A rms)	24
Maximum Input at Nominal Input Voltage (W)	1154
Maximum Input at Nominal Input Voltage (VA)	1154
Minimum Rated Efficiency (%) ¹	91
Minimum Rated Power Factor ¹	NA
Maximum Inrush Current (A peak)	15
Maximum Inrush Current (ms)	0.2
Minimum Ride-Through Time (ms) ²	5

Notes:

1. This is the minimum rating required to achieve 80 PLUS Platinum certification, see test reports published at <http://www.80plus.org/> for certified values
2. Time output voltage remains within regulation limits at 100% load, during input voltage dropout

Table 31 HXAF220c M5 All NVMe 1600 W Power Supply Specifications

Parameter	Specification			
Input Connector	IEC320 C14			
Input Voltage Range (V rms)	200 to 240			
Maximum Allowable Input Voltage Range (V rms)	180 to 264			
Frequency Range (Hz)	50 to 60			
Maximum Allowable Frequency Range (Hz)	47 to 63			
Maximum Rated Output (W) ¹	1600			
Maximum Rated Standby Output (W)	36			
Nominal Input Voltage (V rms)	100	120	208	230
Nominal Input Current (A rms)	NA	NA	8.8	7.9
Maximum Input at Nominal Input Voltage (W)	NA	NA	1778	1758
Maximum Input at Nominal Input Voltage (VA)	NA	NA	1833	1813
Minimum Rated Efficiency (%) ²	NA	NA	90	91
Minimum Rated Power Factor ²	NA	NA	0.97	0.97
Maximum Inrush Current (A peak)	30			
Maximum Inrush Current (ms)	0.2			
Minimum Ride-Through Time (ms) ³	12			

Notes:

1. Maximum rated output is limited to 800W when operating at low-line input voltage (100-127V)
2. This is the minimum rating required to achieve 80 PLUS Platinum certification, see test reports published at <http://www.80plus.org/> for certified values
3. Time output voltage remains within regulation limits at 100% load, during input voltage dropout

For configuration-specific power specifications, use the Cisco UCS Power Calculator at this URL

<http://ucspowercalc.cisco.com>

Environmental Specifications

The environmental specifications for the HXAF220c M5 All NVMe server are listed in [Table 32](#).

Table 32 Environmental Specifications

Parameter	Minimum
Operating Temperature	<p>Dry bulb temperature of 10°C to 35°C (50°F to 95°F)</p> <p>Maximum temperature change of 20°C (36°F) per hour (a temperature change within a specified period of time and not a rate of change)</p> <p>Humidity condition: Uncontrolled, not to exceed 50% RH starting condition</p> <p>Derate the maximum temperature by 1°C (33.8°F) per every 305 meters of altitude above 900m</p>
Extended Operating Temperature	<p>5°C to 40°C (41°F to 104°F) with no direct sunlight</p> <p>Humidity condition: Uncontrolled, not to exceed 50% RH starting condition</p> <p>Derate the maximum temperature by 1°C (33.8°F) per every 305 meters of altitude above 900m</p>
Non-Operating Temperature	Dry bulb temperature of -40°C to 65°C (-40°F to 149°F)
Operating Relative Humidity	<p>10% to 90% and 28°C (82.4°F) maximum dew-point temperature, non-condensing environment</p> <p>Minimum to be higher (more moisture) of -12°C (10.4°F) dew point or 8% relative humidity</p> <p>Maximum to be 24°C (75.2°F) dew point or 90% relative humidity</p>
Non-Operating Relative Humidity	5% to 93% relative humidity, non-condensing, with a maximum wet bulb temperature of 28°C across the 20°C to 40°C dry bulb range.
Maximum Operating Duration	Unlimited
Operating Altitude	A maximum elevation of 3050 meters (10,006 ft)
Non-Operating Altitude	An elevation of 0 to 12,000 meters (39,370 ft)
Sound Power level, Measure A-weighted per ISO7779 LWAd (Bels) Operation at 23°C (73°F)	5.5
Sound Pressure level, Measure A-weighted per ISO7779 LpAm (dBA) Operation at 23°C (73°F)	40

Extended Operating Temperature Hardware Configuration Limits

Table 33 Cisco HXAF220c M5 All NVMe Extended Operating Temperature Hardware Configuration Limits

Platform ¹	ASHRAE A3 (5°C to 40°C) ²	ASHRAE A4 (5°C to 45°C) ³
Processors:	155W+	155W+ and 105W+ (4 or 6 Cores)
Memory:	LRDIMMs	LRDIMMs
Storage:	M.2 SATA SSDs NVMe SSDs	M.2 SATA SSDs NVMe SSDs
Peripherals:	PCIe NVMe SSDs GPUs	MRAID PCIe NVMe SSDs GPUs mLOMs VICs NICs HBAs

Notes:

1. Two PSUs are required and PSU failure is not supported
2. Non-Cisco UCS qualified peripherals and/or peripherals that consume more than 25W are not supported
3. High power or maximum power fan control policy must be applied

Compliance Requirements

The regulatory compliance requirements are listed in [Table 34](#).

Table 34 Regulatory Compliance Requirements

Parameter	Description
Regulatory Compliance	Products should comply with CE Markings per directives 2014/30/EU and 2014/35/EU
Safety	UL 60950-1 Second Edition CAN/CSA-C22.2 No. 60950-1 Second Edition EN 60950-1 Second Edition IEC 60950-1 Second Edition AS/NZS 60950-1 GB4943 2001
EMC - Emissions	47CFR Part 15 (CFR 47) Class A AS/NZS CISPR32 Class A CISPR32 Class A EN55032 Class A ICES003 Class A VCCI Class A EN61000-3-2 EN61000-3-3 KN32 Class A CNS13438 Class A
EMC - Immunity	EN55024 CISPR24 EN300386 KN35



Americas Headquarters
Cisco Systems, Inc.
San Jose, CA

Asia Pacific Headquarters
Cisco Systems (USA) Pte. Ltd.
Singapore

Europe Headquarters
Cisco Systems International BV Amsterdam,
The Netherlands

Cisco has more than 200 offices worldwide. Addresses, phone numbers, and fax numbers are listed on the Cisco Website at www.cisco.com/go/offices.

Cisco and the Cisco Logo are trademarks of Cisco Systems, Inc. and/or its affiliates in the U.S. and other countries. A listing of Cisco's trademarks can be found at www.cisco.com/go/trademarks. Third party trademarks mentioned are the property of their respective owners. The use of the word partner does not imply a partnership relationship between Cisco and any other company. (1005R)

